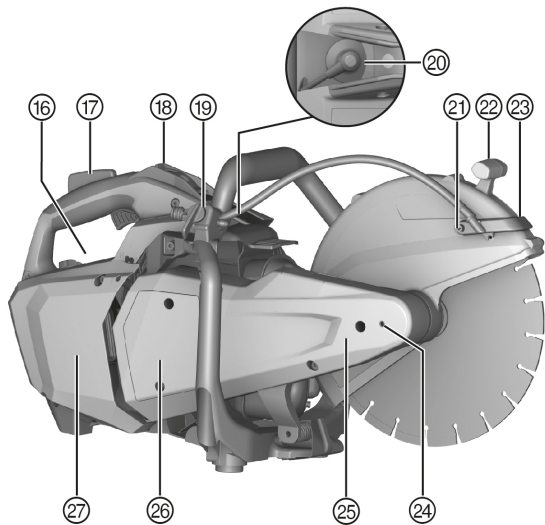
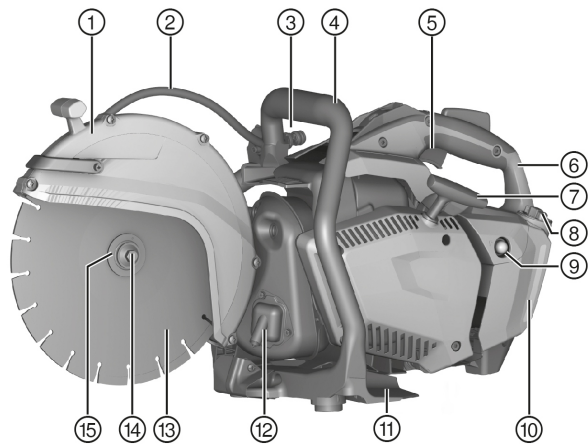


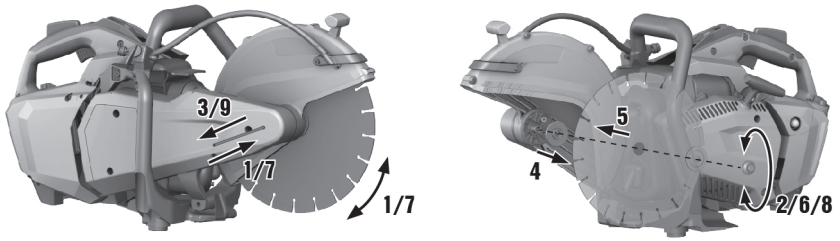


DSH 600-X

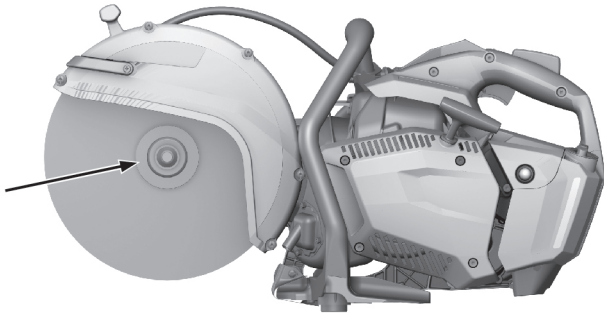
English	1
Français	22
Español	45



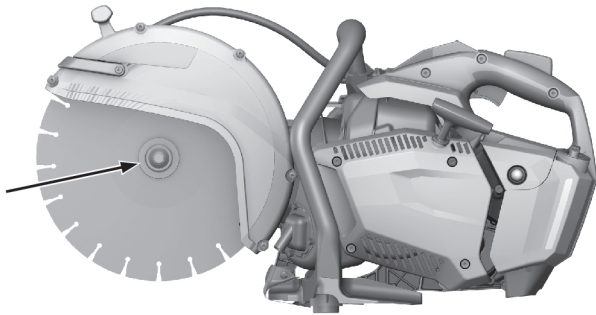
2



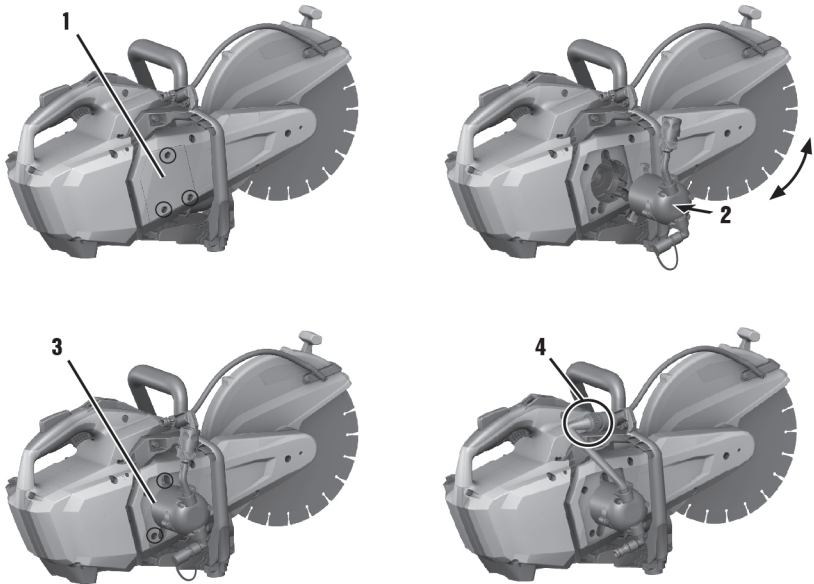
3



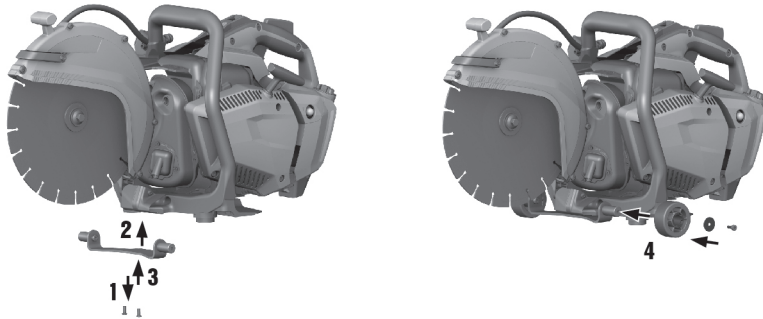
4



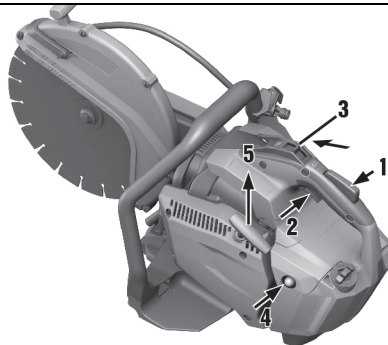
5



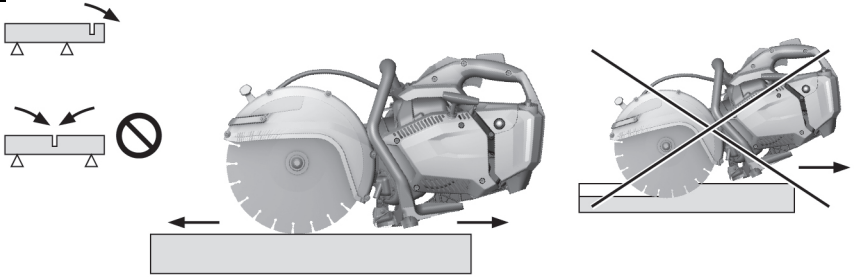
6



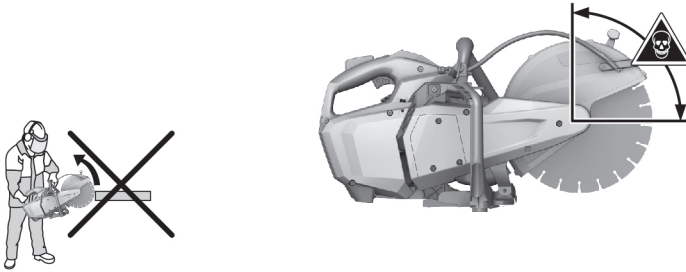
7



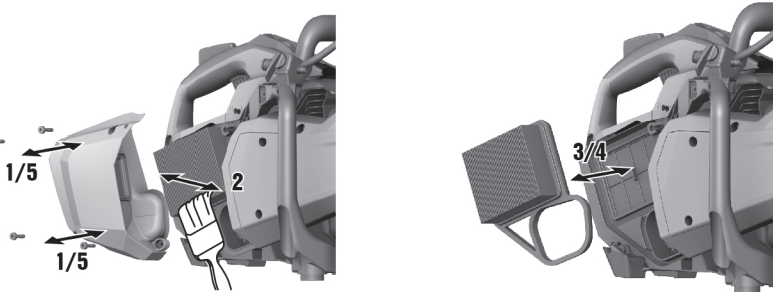
8



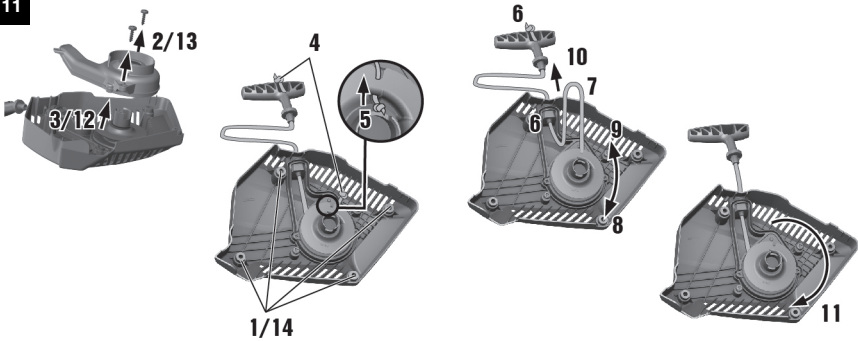
9



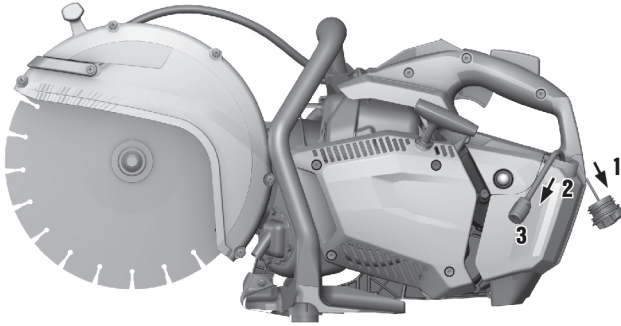
10



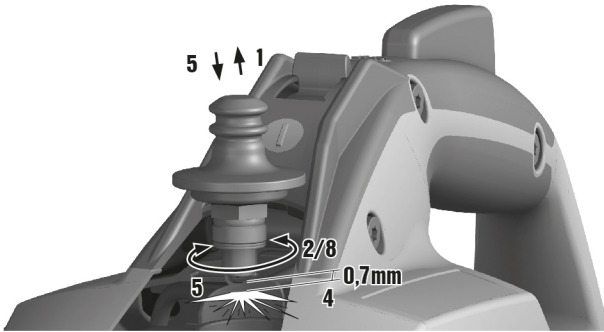
11



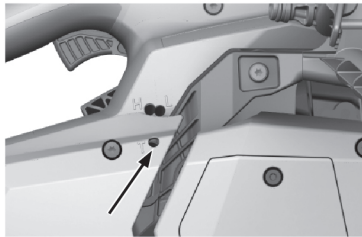
12



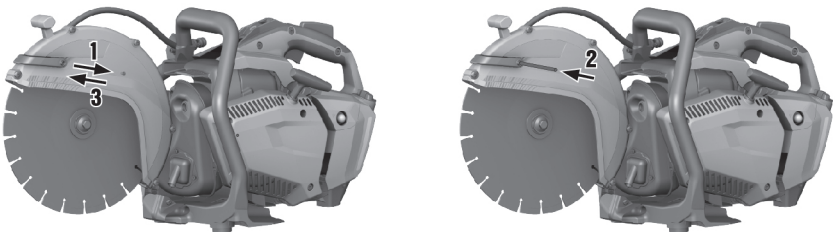
13



14



15



DSH 600-X

en	Original operating instructions	1
fr	Mode d'emploi original	22
es	Manual de instrucciones original	45

Original operating instructions

1 Information about the documentation

1.1 About this documentation

- Read this documentation before initial operation or use. This is a prerequisite for safe, trouble-free handling and use of the product.
- Observe the safety instructions and warnings in this documentation and on the product.
- Always keep the operating instructions with the product and make sure that the operating instructions are with the product when it is given to other persons.

1.2 Explanation of symbols used

1.2.1 Warnings

Warnings alert persons to hazards that occur when handling or using the product. The following signal words are used:



DANGER !

- ▶ Draws attention to imminent danger that will lead to serious personal injury or fatality.



WARNING !

- ▶ Draws attention to a potential threat of danger that can lead to serious injury or fatality.







CAUTION !

- ▶ Draws attention to a potentially dangerous situation that could lead to personal injury or damage to the equipment or other property.


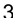


1.2.2 Symbols in the operating instructions

The following symbols are used in these operating instructions:

	Comply with the operating instructions
	Instructions for use and other useful information
	Dealing with recyclable materials
	Do not dispose of electric equipment and batteries as household waste

1.2.3 Symbols in illustrations

The following symbols are used in illustrations:

	These numbers refer to the illustrations at the beginning of these operating instructions.
	The numbering reflects the sequence of operations shown in the illustrations and may deviate from the steps described in the text.
	Item reference numbers are used in the overview illustration and refer to the numbers used in the key in the product overview section.
	These characters are intended to specifically draw your attention to certain points when handling the product.

1.3 Product-dependent symbols

1.3.1 Symbols on the product

The following symbols are used on the product:



	WARNING! Read and follow all safety precautions in the operator's manual. Failure to follow these instructions could result in serious or fatal injury.
	Direction-of-rotation arrow on the guard
	Engine stop position
	Engine run position
	Primer bulb
	Full-throttle jet adjusting screw
	Idling jet adjusting screw
	Idling adjusting screw
	Fuel mixture
	Fuel-tank cap opening direction
/min	Speed
RPM	Revolutions per minute
	Diameter
	Wireless data transfer

1.3.2 Hazard warning symbols

The following symbols are used on the product:

	General hazard
	Hazard due to flying sparks
	Hazard due to kickback
	Warning: Do not inhale toxic vapors or exhaust fumes
	Hazard due to hot surface
	Maximum spindle speed

1.3.3 Obligation symbols

The following symbols are used on the product:

	Wear ear protection, eye protection, respiratory protection and a hard hat
	Wear protective gloves
	Wear safety shoes

1.3.4 Prohibition symbols

The following symbols are used on the product:



	Do not use toothed cut-off wheels
	Do not use damaged cut-off wheels
	No smoking, no naked flame

1.4 Product information

products are designed for professional users and only trained, authorized personnel are permitted to operate, service and maintain the products. This personnel must be specifically informed about the possible hazards. The product and its ancillary equipment can present hazards if used incorrectly by untrained personnel or if used not in accordance with the intended use.

The type designation and serial number are printed on the rating plate.

- ▶ Write down the serial number in the table below. You will be required to state the product details when contacting Hilti Service or your local Hilti organization to inquire about the product.

Product information

Cut-off saw	DSH 600-X
Generation	01
Serial no.	

2 Safety

2.1 General safety instructions

⚠ WARNING Study all safety instructions and other instructions, images and technical data with which this product is provided. Failure to comply with the instructions below can result in serious injuries or death. **Keep all safety precautions and instructions for future reference.**

2.2 Personal safety

- ▶ Use the right tool for the job. Do not use the tool for purposes for which it was not intended. Use it only as directed and when in technically faultless condition.
- ▶ Never tamper with or modify the power tool in any way.
- ▶ Only persons who are familiar with it, who have been trained on how to use it safely and who understand the resulting hazards are permitted to use the product. The product is not intended for use by children.
- ▶ Stay alert, watch what you are doing and use common sense when operating the product. Do not use the product while you are tired or under the influence of drugs, alcohol or medication. A moment of inattention while operating the product can result in serious personal injury.
- ▶ **Maintain a firm grip on the cut-off saw with both hands and position your body and arms to absorb kickback forces. Always use the auxiliary handle, if provided, for maximum control over kickback forces or torque reaction during start-up.** By adopting suitable precautionary measures the operator can control the kickback and reaction forces.
- ▶ The use of cutting tools other than those described in this documentation is not permitted.
- ▶ For wet cutting, do not use synthetically bonded abrasive wheels unless the wheels have been specified for such use by the wheel manufacturer.
- ▶ The use of reducing sleeves and/or knot wheel brushes is not permitted.
- ▶ The user and persons in the vicinity must wear ANSI Z87.1-approved eye protection, a hard hat, ear protectors, protective gloves, protective footwear and suitable respiratory protection while the tool is in use.
- ▶ Before using the product, or if an obstacle is contacted while the product is in use, check the guard immediately for possible damage. Replace the guard immediately if it is damaged or broken.
- ▶ Make sure fire extinguishers are available for use as there is a risk of fire due to flying sparks and the use of flammable fuel.
- ▶ Dust from materials such as paint containing lead, some types of wood, minerals and metal can be harmful to health. Contact with or inhalation of the dust can cause allergic reactions and/or respiratory or other diseases to the operator or bystanders. To reduce the amount of dust produced when cutting, we recommend use of the wet cutting method. Make sure that the workplace is well ventilated. Comply with national regulations applicable to the materials you will be working with.



- ▶ Always hold the tool firmly with both hands on the grips provided. Keep the grips clean, dry and free from oil and grease.
- ▶ If there is an unwanted increase in speed, set the run/stop switch to the "stop" position. Contact **Hilti** Service.
- ▶ Releasing the throttle safety grip when the tool is running at full speed causes the tool to tip forward slightly due to the braking torque. Be prepared for this and grip the tool securely with both hands on the grips provided.
- ▶ Never use the tool without the guard (hood). Adjust the guard to the correct position. The guard must be securely attached and positioned for maximum safety, so that the smallest possible part of the cut-off wheel is exposed to the operator. Make sure that sparks created during use do not present a hazard. The guard helps to protect the operator from broken wheel fragments, inadvertent contact with the cut-off wheel and uncontrolled flying sparks.
- ▶ Do not touch rotating parts – risk of injury!
- ▶ Maintain a firm footing and balance at all times. This will allow you to control the product better, even in unexpected situations. Avoid unusual postures. When using the product, hold it in such a way that dust, flying sparks and possible flying fragments of the accessory tool or workpiece cannot hit you. Do not lean over the cut-off wheel.
- ▶ Wear suitable work clothes. Do not wear jewelry or loose clothing. Keep your hair, clothing and gloves away from moving parts. Loose clothes, jewelry or long hair can be snagged by moving parts.
- ▶ If the product or the cut-off wheel has been dropped or has fallen, check the product and the cut-off wheel for damage. Change the cut-off wheel if necessary.
- ▶ Switch the product off before adjusting the guard or changing the cut-off wheel.
- ▶ Wear protective gloves also when changing the accessory tool. Touching the cut-off wheel presents a risk of injury (cuts or burns).
- ▶ Avoid skin contact with the slurry created when using the wet cutting method.
- ▶ Cutting material containing asbestos is not permissible.
- ▶ Cutting or working on flammable materials such as magnesium or wood/wooden beams is not permissible.
- ▶ Take breaks between working and do relaxation and finger exercises to improve the blood circulation in your fingers. Exposure to vibration during long periods of work can lead to disorders of the blood vessels and nervous system in the fingers, hands and wrists.
- ▶ Consult the responsible structural engineer, architect or person in charge of the building project before starting work. Slits cut into load-bearing walls or other structures can influence the statics of the structure, especially when reinforcing bars or load-bearing components are cut.
- ▶ If work involves break-through, always secure the area on the side opposite where the work is carried out. Pieces of debris could drop out and/or fall down and injure other persons.
- ▶ Never leave the product running while unattended.
- ▶ Switch the engine off and wait until the cut-off wheel has come to a complete standstill before placing the product on the ground, moving it to the next working position, or transporting it.
- ▶ Make sure that the pump cover is installed if you operate the product without an external water pump.
- ▶ Switch the product off after use.
- ▶ Maintain the product carefully. Check whether parts are broken or damaged to the extent that the product is not in full working order. Have damaged parts repaired before using the product.
- ▶ To reduce the risk of injury, use only genuine **Hilti** tools and accessories.
- ▶ Have the product repaired only by qualified specialists using only genuine Hilti spare parts. The safety of the product can thus be maintained.
- ▶ Comply with national health and safety requirements.

2.3 Personal safety

- ▶ Use the right tool for the job. Do not use the tool for purposes for which it was not intended. Use it only as directed and when in technically faultless condition.
- ▶ Never tamper with or modify the power tool in any way.
- ▶ Only persons who are familiar with it, who have been trained on how to use it safely and who understand the resulting hazards are permitted to use the product. The product is not intended for use by children.
- ▶ Stay alert, watch what you are doing and use common sense when operating the product. Do not use the product while you are tired or under the influence of drugs, alcohol or medication. A moment of inattention while operating the product can result in serious personal injury.
- ▶ The user and persons in the vicinity must wear ANSI Z87.1-approved eye protection, a hard hat, ear protectors, protective gloves, protective footwear and light respiratory protection while the tool is in use.



- ▶ Always hold the tool firmly with both hands on the grips provided. Keep the grips dry, clean and free from oil and grease.
- ▶ Never use the tool without the guard (hood). Adjust the guard to the correct position. The guard must be securely attached and positioned for maximum safety, so that the smallest possible part of the cut-off wheel is exposed to the operator. Make sure that sparks created during use do not present a hazard. The guard helps to protect the operator from broken wheel fragments, inadvertent contact with the cut-off wheel and uncontrolled flying sparks.
- ▶ Before using the product, or if an obstacle is contacted while the product is in use, check the guard immediately for possible damage. Replace the guard immediately if it is damaged or broken.
- ▶ Do not touch rotating parts – risk of injury!
- ▶ Maintain a firm footing and balance at all times. This will allow you to control the tool better, even in unexpected situations, for example, in the event of experiencing kickback or rotational forces. Avoid unusual postures.
- ▶ Wear suitable work clothes. Do not wear jewelry or loose clothing. Keep your hair, clothing and gloves away from moving parts. Loose clothes, jewelry or long hair can be snagged by moving parts.
- ▶ Releasing the throttle safety grip when the tool is running at full speed causes the tool to tip forward slightly due to the braking torque. Be prepared for this and grip the tool securely with both hands on the grips provided.
- ▶ If the product or the cut-off wheel has been dropped or has fallen, check the product and the cut-off wheel for damage. Change the cut-off wheel if necessary.
- ▶ Switch the product off before adjusting the guard or changing the cut-off wheel.
- ▶ Wear protective gloves when changing the accessory tool. Touching the cut-off wheel presents a risk of injury (cuts or burns).
- ▶ Make sure fire extinguishers are available for use as there is a risk of fire due to flying sparks and the use of flammable fuel.
- ▶ Do not use a reducing bushing.
- ▶ Use of the wet cutting method is preferable in order to reduce the amount of dust produced when cutting mineral materials and asphalt.
- ▶ Avoid skin contact with the slurry created when using the wet cutting method.
- ▶ Dust from materials such as paint containing lead, some types of wood, minerals and metal can be harmful to health. Contact with or inhalation of the dust can cause allergic reactions and/or respiratory or other diseases to the operator or bystanders. To reduce the amount of dust produced when cutting, we recommend use of the wet cutting method. Make sure that the workplace is well ventilated. It is advisable to wear a filter class P2 dust mask. Comply with national regulations applicable to the materials you will be working with.
- ▶ Cutting material containing asbestos is not permissible.
- ▶ Cutting or working on flammable materials such as magnesium or wood/wooden beams is not permissible.
- ▶ Take breaks between working and do relaxation and finger exercises to improve the blood circulation in your fingers. Exposure to vibration during long periods of work can lead to disorders of the blood vessels and nervous system in the fingers, hands and wrists.
- ▶ Consult the responsible structural engineer, architect or person in charge of the building project before starting work. Slits cut into load-bearing walls or other structures can influence the statics of the structure, especially when reinforcing bars or load-bearing components are cut.
- ▶ If work involves break-through, always secure the area on the side opposite where the work is carried out. Pieces of debris could drop out and/or fall down and injure other persons.
- ▶ Never leave the product running while unattended. Switch the engine off and wait until the cut-off wheel has come to a complete standstill before placing the tool on the ground or before transporting it.
- ▶ Make sure that the pump cover is installed if you operate the product without an external water pump.
- ▶ Switch the product off after use.
- ▶ Maintain the product carefully. Check whether parts are broken or damaged to the extent that the product is not in full working order. Have damaged parts repaired before using the product.
- ▶ To avoid risk of injury, use only genuine **Hilti** accessories and accessory tools.
- ▶ Have the product repaired only by qualified specialists using only genuine Hilti spare parts. The safety of the product can thus be maintained.
- ▶ Comply with national health and safety requirements.



2.4 Electrical safety

- ▶ Before beginning work, check the working area for concealed electric cables or gas and water pipes. External metal parts of the machine may give you an electric shock if you damage an electric cable accidentally.
- ▶ Organize in advance the work to be performed, after examining the location. Check whether warning signs have to be set up and a safe working distance from other persons defined.

2.5 Safety at the workplace

- ▶ Ensure that the workplace is well lit.
- ▶ Don't work in closed rooms. Carbon monoxide, unburned hydrocarbons and benzene in the exhaust gas may cause asphyxiation.
- ▶ Keep the workplace tidy. Objects which could cause injury should be removed from the working area. Untidiness at the workplace can lead to accidents.
- ▶ Hot exhaust gases containing sparks or sparks generated by the cutting operation may cause fire or explosion. Make sure that the sparks generated do not ignite flammable (gasoline, dry grass, etc.) or explosive (gas, etc.) substances.
- ▶ After installing the water pump, make sure that the screws are tightened to the recommended tightening torque.
- ▶ Before installing the water pump, make sure that the maximum permitted water supply pressure of 87 psi is not exceeded.

2.6 Liquids (gasoline and oil) and vapors

- ▶ The inhalation of gasoline vapors and skin contact with gasoline may be hazardous to the health.
 - ▶ Avoid direct skin contact with gasoline. Wear protective gloves.
 - ▶ If your clothing becomes soiled with gasoline, it is essential to change your clothing.
 - ▶ Ensure that the workplace is well ventilated in order to avoid breathing in gasoline fumes.
 - ▶ Use a fuel canister that complies with the applicable regulations.
- ▶ Don't refuel the product while the engine is running. Wait until the engine has cooled down.
- ▶ Never smoke while refueling; there is a risk of fire and explosion.
- ▶ Do not refuel the product in the area where you are working (move at least 3 meters/10 feet clear of the workplace). When refueling, take care to avoid fuel spillage. Use a suitable funnel.
- ▶ Avoid inhaling gasoline vapors and exhaust fumes. Take care to ensure adequate ventilation.
- ▶ Don't use the gasoline or other flammable liquids for cleaning.

2.7 Cutting work using cut-off wheels

- ▶ Use only cut-off wheels with a rated maximum permissible speed at least as high as the maximum spindle speed.
- ▶ Check that the outside diameter and the thickness of the cut-off wheel comply with the capacity rating of the product.
- ▶ Never use cut-off wheels that are damaged, run untrue or vibrate.
- ▶ Do not use damaged diamond cut-off wheels (cracks in the steel wheel, broken or polished segments, damaged arbor hole, bent or distorted steel wheel, heavy wheeloloration due to overheating, steel wheel worn away beneath the segments, diamond segments with no lateral overhang, etc.).
- ▶ Do not use toothed accessory cutting tools (e.g. toothed saw blades).
- ▶ When fitting the cut-off wheel, always take care to ensure that the wheel's specified direction of rotation corresponds to the direction of rotation of the spindle. Always install only one cut-off wheel.
- ▶ The cut-off wheel and flange or any other accessory must fit the arbor of the product exactly. cut-off wheels with arbor holes that do not match the mounting hardware of the product will run out of balance, vibrate excessively and can lead to loss of control and to breakage of the cut-off wheel.
- ▶ Always use an undamaged clamping flange of the correct diameter which fits the cut-off wheel used. The correctly fitting clamping flange supports the cut-off wheel and thus reduces the possibility of wheel breakage.
- ▶ Guide the product smoothly and do not apply lateral pressure to the cut-off wheel. Always bring the cut-off wheel into contact with the workpiece at right angles. Don't attempt to alter the line of cut by applying lateral pressure or by bending the cut-off wheel while cutting is in progress.
- ▶ Abrasive cut-off wheels which are used for wet cutting must be used up the same day as long periods of exposure to moisture have a negative effect on the strength of the wheel.



- ▶ Never install a saw blade for cutting wood.
- ▶ Use only cut-off wheels that comply with the existing standards for cut-off wheels.
- ▶ Prior to installation and before use, check the cut-off wheel for damage. Do not install a damaged cut-off wheel. Comply with the requirements stated by the manufacturer of the cut-off wheel.

2.8 CALIFORNIA PROPOSITION 65

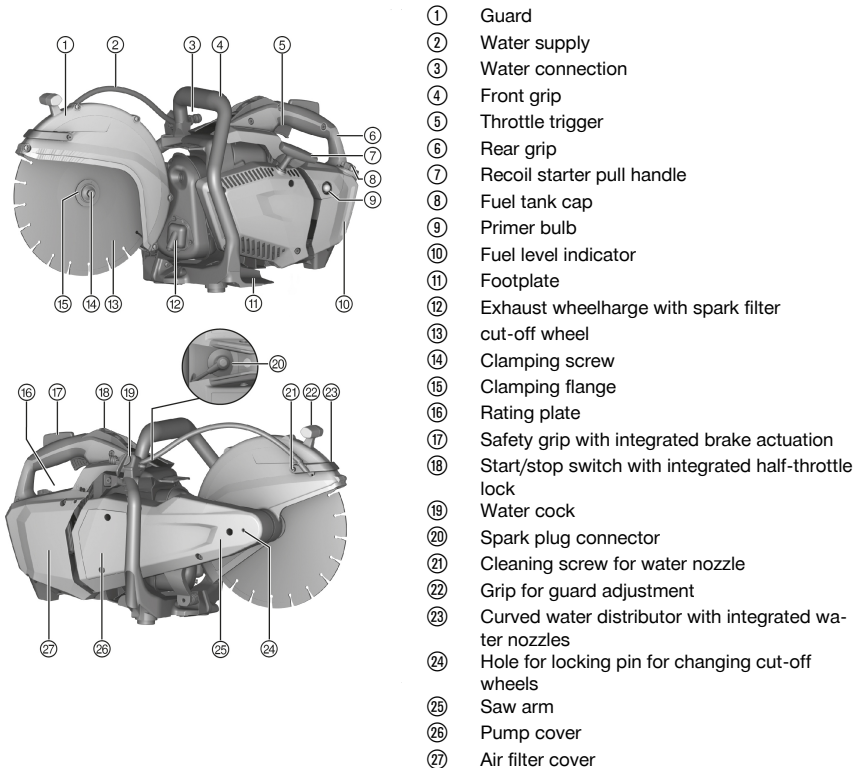
DANGER

Fuels used in gas or oil filled appliances and the product of combustion of such fuels contain chemicals (including Benzene, toluene, xylenes, 1,3 butadiene and formaldehyde) known to the State of California to cause cancer, birth defects or other reproductive harm. **Wash hands after handling!**

3 Description

3.1 Product overview

3.1.1 Gasoline-powered cut-off saw



- ① Guard
- ② Water supply
- ③ Water connection
- ④ Front grip
- ⑤ Throttle trigger
- ⑥ Rear grip
- ⑦ Recoil starter pull handle
- ⑧ Fuel tank cap
- ⑨ Primer bulb
- ⑩ Fuel level indicator
- ⑪ Footplate
- ⑫ Exhaust wheelcharge with spark filter
- ⑬ cut-off wheel
- ⑭ Clamping screw
- ⑮ Clamping flange
- ⑯ Rating plate
- ⑰ Safety grip with integrated brake actuation
- ⑱ Start/stop switch with integrated half-throttle lock
- ⑲ Water cock
- ⑳ Spark plug connector
- ㉑ Cleaning screw for water nozzle
- ㉒ Grip for guard adjustment
- ㉓ Curved water distributor with integrated water nozzles
- ㉔ Hole for locking pin for changing cut-off wheels
- ㉕ Saw arm
- ㉖ Pump cover
- ㉗ Air filter cover

3.2 Intended use

The product described is a gasoline-powered cut-off saw for the wet or dry cutting of asphalt, mineral construction materials or metals using diamond cut-off wheels or abrasive cut-off wheels.

The saw is not suitable for use in environments where there is risk of fire or explosion.

3.3 Possible misuse

- ▶ "Shoveling" with the gasoline-powered saw is not permissible.



3.4 Instructions for use

- Use of the wet cutting method is preferable in order to reduce the amount of dust produced when cutting. By using the self-priming water pump (accessory) you can work without need for a water supply hose. The water can be drawn, for example, directly from a container.
- Do not cut right through the workpiece in one pass. Move the saw back and forward several times until it gradually reaches the desired cutting depth.
- To avoid damaging the diamond cut-off wheel when dry cutting, lift the wheel out of the cut for approx. 10 seconds every 30 to 60 seconds while the saw is still running.
- Resharpener a polished diamond wheel (i.e. when no diamonds project from the segment matrix) by cutting with the wheel in a very abrasive material such as sandstone.

3.5 Cut-off wheel specifications

WARNING

Risk of injury. The use of cut-off wheels that are not in compliance with the ANSI standard can increase the risk of injury for the user.

- ▶ Do not use cut-off wheels that are not in compliance with the existing ANSI standard for cut-off wheels.

Diamond cut-off wheels in accordance with ANSI B7.1 are to be used with the product. Synthetic resin-bonded, fiber-reinforced cut-off wheels in accordance with ANSI B7.1 (flat, not depressed-center, type cut-off wheel) may also be used with the product for working on metals.

The instructions for use and installation instructions issued by the cut-off wheel manufacturer must be observed.

3.6 Items supplied


DSH 600-X gasoline-powered saw, tools set, DSH 600-X wear parts and consumables set, operating instructions.

Other system products approved for use with this product can be found at your local **Hilti Store** or at: www.hilti.group

3.7 Saw blade brake

The product is equipped with an integrated saw blade brake to increase operator safety.

The saw blade is braked to a standstill in a maximum of 10 seconds after the throttle safety grip is released.

-  Releasing the throttle safety grip when the tool is running at full speed causes the tool to flick forward slightly because of the braking torque. So hold the tool firmly with both hands on the grips provided.

3.8 Consumables and wearing parts

- Air filter
- Cord
- Starter
- Fuel filter
- Spark plug
- Tool set
- Cylinder set
- Mounting screw assy.
- Flange for abrasive cut-off wheel (with integral centering ring 20 mm/1")
- Flange for diamond cut-off wheel (with integrated centering ring 20 mm/1")



4 Technical data

4.1 Gasoline-powered cut-off saw

	DSH 600-X
Engine displacement	3.86 in ³ (63.3 cm ³)
Weight with diamond wheel flange, without cut-off wheel, tank empty	21.72 lb (9.85 kg)
Rated power at 8500 rpm in accordance with ISO 7293	4.3 hp (3.2 kW)
Maximum spindle speed	5,080 /min
Max. rotational speed of the cut-off wheel	5,080 /min
Maximum cutting depth	4.7 in (120 mm)
Carburetor	Walbro; model: WT-1203

4.2 Additional technical data

	DSH 600-X
Engine type	Single-cylinder, air-cooled two-stroke engine
Maximum engine speed	8,700 /min
Idle speed	2900 ± 200 /min
Ignition (type)	Electronic
Electrode gap	0.03 in (0.7 mm)
Spark plug	NGK, type: CMR7A
Tightening torque for fitting the spark plug	9 ftlb, (12 Nm)
Fuel mixture	API-TC oil 2% (1:50)
Tank capacity	870 cm ³
Tank capacity	29.4 oz
cut-off wheel arbor size / diameter of centering bush	0.8 in (20 mm)
cut-off wheel arbor size / diameter of centering bush	1.00 in (25.4 mm)
⚠ Minimum flange outside diameter for diamond cut-off wheels (only for steel-core wheels; the flanges are marked with "FOR DIAMOND ABRASIVE STEEL CORE WHEELS ONLY")	2.4 in (60 mm)
⚠ Minimum flange outside diameter for abrasive cut-off wheels (composite wheels)	3.1 in (78 mm)
Maximum cut-off wheel outside diameter	11.8 in (300 mm)
Maximum nominal cut-off wheel thickness (only for steel-core wheels)	0.18 in (4.5 mm)
Maximum nominal cut-off wheel thickness (composite wheels)	0.16 in (4.0 mm)
Tightening torque for fitting the cut-off wheel	18 ftlb, (25 Nm)



5 Before use

5.1 Fuel

The two-stroke engine runs on a mixture of gasoline and oil. The quality of the fuel mixture decisively influences operation and life expectancy of the engine.

WARNING

Risk of injury. The inhalation of gasoline vapors and skin contact with gasoline may be hazardous to the health.

- ▶ Avoid direct skin contact with gasoline. Wear protective gloves.
 - ▶ If your clothing becomes soiled with gasoline, it is essential to change your clothing.
 - ▶ Ensure that the workplace is well ventilated in order to avoid breathing in gasoline fumes.
 - ▶ Use a fuel container that complies with the applicable regulations.
-

5.1.1 Using two-stroke oil

- ▶ Use good-quality, two-stroke oil for air-cooled engines that meets at least the API-TC specification.

5.1.2 Gasoline

- ▶ Use regular or super gasoline with an octane rating of at least 89 ROZ.



The alcohol content (e.g. ethanol, methanol or others) of the fuel used must not exceed 10%, otherwise the life expectancy of the engine will be greatly reduced.

5.1.3 Mixing fuel



The engine will suffer damage if run with fuel mixed in the wrong ratio or with unsuitable oil.

Use a mixing ratio of 1:50. This corresponds to 1 part good-quality two-stroke oil that complies with the API-TC specification and 50 parts gasoline (e.g. 100 ml oil and 5 liters of gasoline mixed in a suitable canister).

1. Pour the required quantity of two-stroke oil into the fuel canister.
2. Pour the gasoline into the fuel canister.
3. Close the fuel canister.
4. Mix the fuel by shaking the fuel canister.



If the quality of the two-stroke oil or the gasoline is unknown, then increase the mixing ratio to 1:25.

5.1.4 Filling the fuel tank

1. Mix the fuel (two-stroke oil / gasoline mixture) by shaking the fuel container.
2. Place the product in a steady upright position.
3. Open the fuel tank by turning the cap counterclockwise and then removing the cap.
4. Fill the tank slowly using a funnel.
5. Close the fuel tank by fitting the cap and then turning it clockwise.
6. Close the fuel canister.

5.2 Assembly and adjustment

WARNING

Risk of injury. Contact with the rotating cut-off wheel can lead to injury. Hot parts of the machine or a hot cut-off wheel may cause burning injuries.

- ▶ Before fitting or adjusting any parts of the product, make sure that the engine is switched off, that the cut-off wheel has completely stopped rotating and that the product has cooled down.
 - ▶ Wear protective gloves.
-



5.2.1 Fitting a cut-off wheel



WARNING

Risk of injury and damage. Unsuitable cut-off wheels or unsuitable parts used to secure the wheel can suffer irreparable damage during operation or lead to loss of control of the product or breakage of the accessory tool.

- ▶ Make sure that the cut-off wheel's maximum permissible speed is at least as high as the maximum spindle speed stated on the product. Use only cut-off wheels, flanges and screws that are suitable for your product.
- ▶ Use only cut-off wheels with a mounting hole diameter of 20 mm or 25.4 mm (1") and that are a correct fit on the centering bushing.
- ▶ Use only the large flange with a diameter of 78 mm (3") to secure an abrasive cut-off wheel.



WARNING

Risk of injury and damage. Damaged cut-off wheels may break.

- ▶ If the cut-off wheel has been subjected to an impact, check the cut-off wheel for damage and replace it if necessary.
- ▶ Never use cut-off wheels that are damaged, run untrue or vibrate.
- ▶ Don't use synthetic resin-bonded fiber-reinforced cut-off wheels which have exceeded their use-by date or already softened due to water absorption.



WARNING

Risk of injury and damage. Over-tightening securing screws can lead to damage or breakage of the securing screw itself or the washer fitted to the securing screw.

- ▶ Be sure to tighten the securing screw to the specified tightening torque.
- ▶ Take care not to overtighten the securing screw.



WARNING

Risk of injury! Incorrect installation or removal of the cut-off wheel can result in loose parts getting into the eyes and causing injuries.

- ▶ Always wear eye protection (protective goggles) when changing the accessory tool.

1. Insert the locking pin in the hole in the drive belt cover and turn the cut-off wheel until the locking pin engages.
2. Release the securing screw by turning the screw counterclockwise with the wrench and then remove the screw and washer.
3. Remove the locking pin.
4. Remove the clamping flange and the cut-off wheel.
5. Check that the diameter of the arbor hole in the cut-off wheel to be installed matches the centering collar of the cut-off wheel centering bushing.



The centering bushing has a 20 mm diameter centering collar on one side and a 25.4 mm (1") diameter centering collar on the other side.

6. Clean the clamping and centering surfaces on the product and on the cut-off wheel.
7. Select one of the following alternatives.

Alternative 1/2

- ▶ Use only the large flange to secure the abrasive cut-off wheel.

Alternative 2/2

- ▶ Use the small flange with diamond cut-off wheels in order to utilize the full cutting depth.

8. Place the cut-off wheel with centering collar on the drive arbor and check that the direction of rotation is correct.
 - ▶ The direction-of-rotation arrow on the cut-off wheel must match the direction of rotation indicated on the product.
9. Place the clamping flange and washer on the drive arbor and tighten the securing screw by turning it clockwise.
10. Insert the locking pin in the locking hole in the drive belt cover and turn the cut-off wheel until the locking pin engages.
11. Securely tighten the clamping screw (tightening torque: 25 Nm).



12. Remove the locking pin.

 **CAUTION**

Risk of injury and damage. Damaged accessory tools can break.

- ▶ Never use an accessory tools that is damaged, runs out of true or vibrates.
- ▶ Keep clear of the danger zone.

13. After fitting a new cut-off wheel, run your product at full speed under no load for approximately 1 minute.

5.2.2 Adjusting the guard

 **WARNING**

Risk of injury. Contact with the cut-off wheel, flying fragments or sparks can cause injury to persons.

- ▶ Adjust the guard so that flying particles or fragments of the material removed and flying sparks are directed away from the operator and the product.
- ▶ Hold the guard by the grip provided and rotate it to the desired position.



Make sure that the opening of the blade guard is not toward the user.

5.2.3 Fitting the water pump (accessory)

1. Switch the product off.
2. Release the three pump cover retaining screws, remove the parts and store the pump cover in a safe place.



The pump cover must be fitted if the tool is used without the water pump.

3. Hold the water pump in position and turn the cut-off wheel slightly to bring the splines of water pump and clutch bell into alignment so that the splines engage.
 - ▶ The position is keyed so it is not possible to position the pump incorrectly.
4. Install the three securing screws and tighten the securing screws.
 - ▶ **Tightening torque:** 8 Nm
5. Connect the pump hose to the hose connector on the saw.
6. Remove the protective cap from the end of the water connection hose.
7. Make sure that the water pressure in the water supply line is max. 6 bar.
 - ▶ Reduce the water pressure as necessary.
8. Connect the water pump to the water supply or immerse the end of the suction hose in a container filled with water.



Fit the protective cap to the end of the water connection hose when the water pump is not connected to a water supply.

5.2.4 Removing the water pump (accessory)

1. Switch the product off.
2. Disconnect the water supply from the water pump.
3. Fit the protective cap to the end of the water connection hose.
4. Disconnect the connector between the pump and the tool.
5. Release the three fastening screws on the pump and then remove the pump.
6. Place the pump cover in position.
7. Install the 3 securing screws and tighten the securing screws.
 - ▶ **Tightening torque:** 4 Nm

5.2.5 Fitting the wheel set (accessory)

1. Slacken the two bottom securing screws on the metal guard.
2. Secure the base plate with the two screws.
3. Secure the wheels and washers with the screws on both sides of the base plate.



6 Operation

6.1 Starting the engine

DANGER

Risk of asphyxiation. Carbon monoxide, unburned hydrocarbons and benzene in the exhaust gas may cause asphyxiation.

- ▶ Don't work in closed rooms, trenches or pits and make sure the area is well ventilated.

WARNING

Risk of burning injury. The exhaust system gets extremely hot when the engine is running. It stays hot for a long time after the engine is switched off.

- ▶ Wear protective gloves and avoid touching the exhaust system.
- ▶ Do not lay the product down on flammable material while hot.

WARNING

Risk of injury. A damaged exhaust system raises the noise level above the permissible limit and increases the risk of suffering hearing damage.

- ▶ Never use the product if the exhaust system is damaged, missing or if it has been tampered with.

WARNING

Risk of injury if product is operated without the cover for the water pump correctly installed Touching the water pump connection during operation leads to injuries.

- ▶ Before starting operation, make sure that the cover for the water pump is correctly installed.

WARNING

Risk of injury due to substances and gases igniting. Burns and fatalities can result.

- ▶ Do not use the product if flammable substances and gases are present.
- ▶ Ensure adequate ventilation.

CAUTION

Risk of burns or injury through pinching the fingers when the water pump is fitted. Touching the pump housing can cause burning injuries.

- ▶ Hold the forward grip only at the top and on the left side.

1. Press and hold down the throttle safety grip.
2. Press and hold down the throttle trigger.
3. Move the start/stop switch to the "start" position.
4. Release the throttle safety grip and throttle trigger.
 - ▶ The half-throttle position is activated.
5. Squeeze the primer bulb 2 to 3 times to fill the primer pump bulb with fuel only when starting with the engine cold.
6. Check that the cut-off wheel is free to rotate.
7. Place your left foot on the footplate.
8. Pull the recoil starter pull handle slowly with your right hand until resistance is perceptible.
9. Vigorously pull the recoil starter pull handle.
10. Repeat this procedure until the engine fires.
11. Briefly press the throttle trigger as soon as the engine fires.
 - ▶ This disengages the half-throttle position and the engine will idle when the throttle trigger is released.

6.2 Checks after starting the engine

1. Check that the cut-off wheel remains stationary when the engine is idling and, after briefly running at full-throttle speed, that the wheel again comes to a complete standstill.
 - ▶ If the cut-off wheel rotates when the engine is idling, reduce idling speed. If this is not possible, bring the product to **Hilti Service**.



2. Check that the run/stop switch is functioning correctly. Move the run/stop switch to the "Stop" position.
3. If the engine doesn't stop, compress the primer bulb. If the engine still doesn't stop, pull the spark plug connector off the spark plug and bring the product to Hilti Service.

6.3 Switching the engine off



WARNING

Risk of injury. A rotating cut-off wheel can break or shatter, possibly resulting in flying fragments.

- ▶ Allow the rotating cut-off wheel to come to a complete standstill before you lay the saw down.

1. Release the throttle trigger.
2. Move the start/stop switch to the "stop" position.
 - ▶ The engine stops.

6.4 Cutting techniques

There is a risk of kickback if the gasoline-powered saw comes into contact with the working surface in the area indicated.

Kickback is the result of product misuse and/or incorrect operating procedures or conditions. To prevent kickback, follow the safety instructions and the instructions for use below.

- ▶ Do not bring the accessory tool into contact with the working surface in the area marked.
- ▶ Allow the gasoline-powered saw to reach full speed before starting the cut.
- ▶ Apply pressure to the product so that the accessory tool enters the material slowly.
- ▶ Apply moderate pressure, adjusting the rate of advance to suit the material being cut.



A decrease in the rate of cutting progress may be an indication of blunt/dull ("polished") diamond segments. The diamond segments can be resharpened by making a few cuts in an abrasive material (Hilti sharpening plate or sand-lime block).

- ▶ Guide the gasoline-powered saw smoothly and without applying lateral pressure to the cut-off wheel.
- ▶ Always hold the gasoline-powered saw firmly with both hands on the grips provided. Keep the grips dry, clean and free from oil and grease.
- ▶ Make sure there is no-one in the working area and, in particular, in the direction in which the cut is to be made. Keep everyone approx. 15 m away from your workplace.

6.5 Avoiding stalling

If the cut-off wheel binds, the product tends to pull away from the operator.



CAUTION

Risk of cut-off wheel breakage or kickback. Application of excessive pressure causes distortion of the cut-off wheel. Sticking or stalling of the cut-off wheel increases the probability of kickback or cut-off wheel breakage.

- ▶ Avoid applying excessive pressure when cutting and don't allow the cut-off wheel to stick and stall.
- ▶ Don't attempt to make an excessively deep cut.
- ▶ Cutting through thick workpieces should be accomplished, as far as possible, by making a several cuts.
- ▶ Always cut only one workpiece at a time.
- ▶ Support slabs or large workpieces so that the kerf remains open during and after the cutting operation.

6.6 Avoiding kickback

Kickback is a sudden reaction to a pinched or snagged rotating wheel. Snagging or binding brings the rotating accessory tool to an abrupt stop. This causes the product to accelerate at the point of binding, in the direction opposite to the accessory tool's direction of rotation.

For example, if a cut-off wheel is snagged or pinched by the workpiece, the edge of the cut-off wheel entering the pinch point can dig into the surface of the material causing the cut-off wheel to climb out or kick back. If this happens the cut-off wheel moves toward or away from the operator. The further forward the cut-off wheel binds, the higher the probability of a kickback. cut-off wheels can also break under these conditions.

A kickback is the result of product misuse and/or incorrect operating procedures or conditions. It can be avoided by taking the proper precautions as described below. If the cut-off wheel binds when the product is cutting in the direction of the ground, the product can jump forward in an uncontrolled manner. If the cut-off



wheel binds when the product is cutting vertically, for example in a wall, the product can jump upward in an uncontrolled manner.

- ▶ Always bring the cut-off wheel into contact with the workpiece from above, with the throttle trigger fully depressed.
 - ▶ Allow the cut-off wheel to contact the workpiece only at a point below its rotational axis.
- ▶ Take special care when inserting the cut-off wheel in an existing kerf.

7 Care and maintenance



WARNING

Risk of injury. Touching the rotating cut-off wheel or hot parts of the machine may lead to injury or burns.

- ▶ Switch the engine off and allow the product to cool down before all maintenance, repairs, cleaning or servicing.

7.1 Maintenance table

1 - Before starting work | 2- Every six months | 3 - As necessary

	1	2	3
Check that all externally accessible nuts and screws are securely tightened.	x	x	x
Check that the tool is complete, in perfect condition and free of leaks. → repair as necessary	x		
Check for foreign matter. → repair as necessary	x		
Check that the controls are in full working order. → repair as necessary	x		
Check that the cut-off wheel is in perfect condition. → replace as necessary	x		
Check the fuel filter for clogging. → replace as necessary		x	x
Replace the air filter if the product does not start or engine performance fades noticeably.			x
Clean or replace the spark plug if the product does not start or is difficult to start.			x
Adjust the idling speed if the cut-off wheel does not slow to a standstill when the engine is idling.			x
Have the product repaired by Hilti Service if the drive belt slips when a load is applied to the cut-off wheel.			x

7.2 Cleaning or replacing the air filter



ATTENTION

Risk of damage. Entry of dust causes irreparable damage to the product.

- ▶ Never operate the machine if the air filter is damaged or missing.
- ▶ When changing the air filter, the product should stand upright and should not be laid on its side. Take care to ensure that no dust finds its way onto the underlying filter screen.



Change the air filter if engine performance drops noticeably or if the engine becomes difficult to start.

1. Release the securing screw on the air filter cover and remove the cover.
2. Carefully remove the dust adhering to the air filter and the filter chamber (use a vacuum cleaner).
3. Remove the air filter.
4. Insert the new air filter.
5. Fit the air filter cover and tighten the retaining screws.



7.3 Replacing a broken starter cord **11**


ATTENTION

Risk of damage. The housing may suffer damage if the starter cord is too short.

► Never continue to use a broken starter cord. Replace it immediately.

1. Release the four securing screws and remove the starter assembly.
2. Release the two screws securing the cover and remove the cover.
3. Remove the remains of the broken starter cord from the spool and the pull handle.
4. Securely knot one end of the replacement starter cord and from above, pass the other end of the cord through the hole in the spool.
5. From below, pass the end of the cord through the hole in the starter housing and from below through the pull handle, and securely knot the end of the cord.
6. Pull a length of the starter cord out of the housing as shown in the illustration and pass it through the slot in the spool.
7. Hold the cord securely close to the slot in the spool and turn the spool clockwise as far as it will go.
8. Back the spool off at least $\frac{1}{2}$ to max. $1\frac{1}{2}$ turns, until the slot in the spool is in alignment with the opening in the starter housing.
9. Hold the spool securely and pull the cord out of the housing toward the pull handle.
10. Hold the cord taut, release the spool and allow the starter cord to be pulled in.
11. Pull the starter cord out as far as it will go and check that the spool can be turned by hand at least a further $\frac{1}{2}$ turn clockwise. If this is not possible, spring tension must be reduced by turning the spool one full turn counterclockwise.
12. Install the cover and secure it with the two securing screws.
13. Place the starter assembly in position and carefully press it down. Pull the starter cord slightly until the coupling engages and the starter assembly is fully seated.
14. Secure the starter assembly with the four securing screws.

7.4 Replacing the fuel filter **12**

 When refueling the product, take care to ensure that no dirt or foreign matter finds its way into the fuel tank.

1. Remove the cap from the fuel tank.
2. Pull the fuel filter out of the fuel tank.
3. Check the condition of the fuel filter.
 - Replace the fuel filter if it is very dirty or clogged.
4. Slide back the clip on the hose and remove the dirty fuel filter.
5. Fit a new fuel filter and secure it with the clip on the hose.
6. Push the fuel filter back into the fuel tank.
7. Close the fuel tank.

7.5 Cleaning the spark plug, setting the spark plug gap or replacing the spark plug **13**

CAUTION

Risk of injury. The spark plug and parts of the engine may be hot immediately after the product has been in use.

► Allow the product to cool down before undertaking maintenance or cleaning.

1. Use a gentle twisting motion to pull the cable connector off the spark plug.
2. Use the spark plug wrench to unscrew and remove the spark plug from the cylinder.
3. If necessary, clean the spark plug electrode with a soft wire brush.
4. Check the spark plug gap and, if necessary, adjust it to the correct gap of 0.7 mm with a feeler gauge.
5. Fit the ignition cable connector to the spark plug and hold the threaded section of the spark plug against the cylinder.
6. Move the run/stop switch to the "start" position.



⚠ WARNING

Risk of injury. Touching the electrodes presents a risk of electric shock.

- ▶ Don't touch the spark plug electrodes.
-
7. Pull the starter handle.
 - ▶ An ignition spark must now be clearly visible.
 8. Use the spark plug wrench to screw the spark plug into the cylinder (tightening torque: 12 Nm).
 9. Fit the ignition cable connector to the spark plug.

7.6 Adjusting the carburetor 14

The carburetor of this product has been factory set for optimum performance and sealed to prevent tampering (jets H and L). The idling speed of the machine (jet T) may be adjusted by the user. All other adjustments must be carried out by **Hilti Service**.

i Tampering with the carburetor settings may cause damage to the engine.

- ▶ Clean the air filter. → page 15
- ▶ Allow the product to run until it reaches its normal operating temperature.
- ▶ Use a suitable flat screwdriver (tip width 4 mm/ ⁵/₃₂ ") and do not force the adjusting screw beyond its intended adjustment range.
- ▶ Adjust the idling speed jet (T) so that the engine runs smoothly when idling but the cut-off wheel does not begin to rotate.

7.7 Cleaning the water nozzles 15

1. Remove the cleaning screw on the curved water distributor.
2. Use a wire to clean the water nozzles.
3. Fit the cleaning screw.

7.8 Care of the product

i To help ensure safe and reliable operation, use only genuine Hilti spare parts and consumables. Spare parts, consumables and accessories approved by **Hilti** for use with your product can be found at your **Hilti Store** or online at: www.hilti.group

- ▶ Keep the product, especially its gripping surfaces, clean and free from oil and grease.
- ▶ Do not use cleaning agents containing silicone.
- ▶ Clean the outer surfaces of the machine at regular intervals with a slightly damp cloth or a dry brush. Do not use a spray, steam pressure cleaning equipment or running water for cleaning.
- ▶ Do not allow foreign objects to enter the interior of the product.

7.9 Maintenance

1. Check all external parts of the product and the accessories for damage at regular intervals and check that all controls operate faultlessly.
2. Do not use the product if parts are damaged or if operating controls do not function faultlessly. Have the product repaired by **Hilti Service**.

7.10 Checks after care and maintenance work

- ▶ After carrying out care and maintenance, check that all protective and safety devices are fitted and that they function faultlessly.

8 Transport and storage

General instructions for transporting the product

- ▶ Switch the product off before transporting it.
- ▶ Remove the cut-off wheel from the product after use. The cut-off wheel may suffer damage during transport with the cut-off wheel fitted.



- ▶ Handle cut-off wheels carefully and store cut-off wheels in accordance with the manufacturer's instructions.
- ▶ Always store and transport the product in an upright position, not lying on its side.
- ▶ Do not transport the product by crane.
- ▶ Store the product in a secure place when not in use. Products which are not in use must be stored in a dry, high place or locked away out of reach of children.
- ▶ When setting the product down, make sure that it stands securely.
- ▶ After use, allow the product to cool down before packing it away or placing a cover over it.
- ▶ Store gasoline and oil in a well-ventilated room in fuel containers that comply with regulations.

8.1 Transporting the product in a vehicle

WARNING

Risk of fire and explosion. If the product tips over during transport, fuel may run out of the fuel tank.

- ▶ Empty the product's fuel tank completely before packing and shipping it.
- ▶ Transport the product, as far as possible, in its original packaging.

WARNING

Fire hazard. Hot parts of the machine could ignite material lying about in the surrounding area.

- ▶ Allow the product to cool down completely before packing it away or loading it into a vehicle..

1. Remove the cut-off wheel.
2. Secure the product to prevent it falling over, thereby causing damage or fuel spillage.

8.2 Storing the fuel mixture

CAUTION

Risk of injury. As pressure may build up in the fuel tank there is a risk of fuel being forced out when the fuel cap is opened.

- ▶ Always open the cap of the fuel tank carefully so that the pressure is relieved gradually.
- ▶ Store the fuel in a dry, well-ventilated room.

1. Mix only enough fuel for a few days' use.
2. Clean the fuel container occasionally.

9 Troubleshooting

If the trouble you are experiencing is not listed in this table or you are unable to remedy the problem by yourself, contact **Hilti Service**.

Trouble or fault	Possible cause	Action to be taken
cut-off wheel slows down or stops completely while cutting	Excessive cutting pressure applied (cut-off wheel stalls in the kerf) or pressure applied to the cut-off wheel from the side.	▶ Reduce pressure when cutting and guide the product in a straight line.
	The cut-off wheel is not correctly fitted and tightened.	▶ Check how it is fitted and the tightening torque.
	Wrong direction of rotation.	▶ Fit the cut-off wheel. → page 11
	The forward section of the saw arm is loose.	▶ Have the product repaired by Hilti Service .
High vibration, wheel wanders off the cutting line.	The cut-off wheel is not correctly fitted and tightened.	▶ Check how it is fitted and the tightening torque.
	cut-off wheel is damaged (or unsuitable specification, cracked, segments missing, bent, overheated, deformed, etc.).	▶ Change the cut-off wheel.



Trouble or fault	Possible cause	Action to be taken
High vibration, wheel wanders off the cutting line.	The centering bushing is fitted in-correctly.	▶ Check that the diameter of the arbor hole in the cut-off wheel matches the centering collar of the cut-off wheel centering bushing.
The diamond cut-off wheel swings up and may jam.	Diamond cut-off wheel does not fit correctly	▶ Use Hilti cut-off wheels.
	Flange for diamond cut-off wheel does not fit correctly	▶ Verwenden Sie bei Wettbewerbs-Trennscheiben den Flansch für abrasive Trennscheiben.
The saw doesn't start or is difficult to start.	The fuel tank is empty (no fuel in the carburetor).	▶ Fill the fuel tank. → page 10
	Air filter clogged with dirt or dust.	▶ Change the air filter.
	The engine is flooded (spark plug wet).	▶ Dry the spark plug and the cylinder chamber (Removing spark plug → page 16).
	Wrong fuel mixture.	▶ Empty the fuel tank and flush out the tank and fuel supply line. ▶ Fill the fuel tank with the correct fuel.
	Air in the fuel line (no fuel reaching the carburetor).	▶ Remove the air from the fuel line by operating the fuel pump several times.
	The fuel filter is dirty or blocked (no fuel or too little fuel reaching the carburetor).	▶ Clean the fuel tank and change the fuel filter.
	No ignition spark visible or spark is too weak (seen when spark plug is removed).	▶ Clean the spark plug to remove carbon deposits. ▶ Check the spark plug electrode gap and set it correctly. ▶ Change the spark plug. ▶ Check the ignition coil, cable, plug connections and switch and change the defective part if necessary.
	Engine compression is too low.	▶ Check the engine compression and, if necessary, replace worn parts (piston rings, piston, cylinder, etc.).
	The ambient temperature is too low.	▶ Allow the saw to warm up to room temperature and repeat the starting procedure.
Low engine power / poor cutting performance	The spark arrestor or exhaust exit is clogged.	▶ Clean the spark arrestor or exhaust exit.
	Air filter clogged with dirt or dust.	▶ Change the air filter.
Low engine power / poor cutting performance	No ignition spark visible or spark is too weak (seen when spark plug is removed).	▶ Clean the spark plug to remove carbon deposits. ▶ Check the spark plug electrode gap and set it correctly. ▶ Change the spark plug. ▶ Check the ignition coil, cable, plug connections and switch and change the defective part if necessary.



Trouble or fault	Possible cause	Action to be taken
Low engine power / poor cutting performance	Wrong fuel mixture.	<ul style="list-style-type: none"> ▶ Empty the fuel tank and flush out the tank and fuel supply line. ▶ Fill the fuel tank with the correct fuel.
	The cut-off wheel specification is unsuitable for the material to be cut.	▶ Change the cut-off wheel or consult Hilti Service .
	Drive belt or cut-off wheel slips.	<ul style="list-style-type: none"> ▶ Check that the cut-off wheel is clamped securely. ▶ Have the product repaired by Hilti Service.
	Engine compression is too low.	▶ Check the engine compression and, if necessary, replace worn parts (piston rings, piston, cylinder, etc.).
	The product is used at an altitude greater than 1500 meters above sea level.	▶ Have the carburetor adjusted by Hilti Service .
	Incorrect carburetor setting (fuel / air mixture).	▶ Have the carburetor adjusted by Hilti Service .
cut-off wheel rotates while the engine is idling.	Idling speed is too high.	▶ Check the idling speed and adjust it if necessary.
	The half-throttle position is engaged.	▶ Release the half-throttle position.
	Faulty centrifugal clutch.	▶ Change the centrifugal clutch.
cut-off wheel doesn't rotate.	Inadequate drive belt tension or the drive belt is broken.	▶ Have the product repaired by Hilti Service .
Starter assembly doesn't work.	The clutch claws are not engaging.	▶ Clean the clutch claws so that they move freely.
Saw blade rotates for longer than 15 seconds after the throttle safety grip is released.	Brake strap is worn.	▶ Have the product repaired by Hilti Service .
	Action of Bowden cable for brake is stiff.	▶ Have the product repaired by Hilti Service .

10 Disposal

Most of the materials from which **Hilti** products are manufactured can be recycled. The materials must be correctly separated before they can be recycled. In many countries, your old tools, machines or appliances can be returned to **Hilti** for recycling. Ask **Hilti Service** or your Hilti representative for further information.

Drilling slurry

Disposal of drilling slurry directly into rivers, lakes or the sewerage system without suitable pretreatment presents environmental problems.

- ▶ Ask the local public authorities for information about current regulations.

We recommend the following pretreatment:

- ▶ Collect the drilling slurry (for example, using a wet-type vacuum cleaner).
- ▶ Allow the drilling slurry to settle and dispose of the solid material at a construction waste disposal site (addition of a flocculent may accelerate the settling process).
- ▶ The remaining water (alkaline, pH value greater than 7) must be neutralized by the addition of an acidic neutralizing agent or diluted with a large volume of water before it is allowed to flow into the sewerage system.

11 Manufacturer's warranty

- ▶ Please contact your local **Hilti** representative if you have questions about the warranty conditions.



11.1 Federal emission control warranty statement

Your warranty rights and obligations

The U.S. Environmental Protection Agency (EPA), the California Air Resources Board (CARB), and **Hilti** are pleased to explain the Emission Control System Warranty applicable to your small non-road engine. In U.S. and Canada, small non-road engines must be designed, built and equipped to meet the stringent federal antismog standards. The equipment engine must be free from defects in materials and workmanship which cause it to fail to conform with U.S. EPA standards for the first two years from the date of sale to the ultimate purchaser. **Hilti** must warrant the emission control system on your small non-road engine for the periods of time listed above, provided there has been no abuse, neglect or improper maintenance of your unit. Your emission control system includes parts such as the carburetor and the ignition system. Where a warrantable condition exists, **Hilti** will repair at no cost to you. Expenses covered under warranty include diagnosis, parts and labor.

Manufacturer's warranty coverage

All 2001 and later small non-road engines are warranted to meet the applicable EPA and CARB requirements for two years. If any emission related part on your engine (as listed above) is defective, the part will be repaired or replaced by **Hilti**.

Owner's warranty responsibilities

As a small non-road engine owner, you are responsible for performance of the required maintenance as defined by **Hilti** in the owner's manual. **Hilti** recommends that you retain all receipts covering maintenance on your small non-road engine, but **Hilti** cannot deny warranty solely for the lack of receipts or for your failure to ensure the performance of all scheduled maintenance. Any replacement part or service that is equivalent in performance and durability may be used in non-warranty maintenance or repairs, and shall not reduce the warranty obligations of the engine manufacturer. As the small non-road equipment owner, you should be aware, however, that **Hilti** may deny you warranty coverage if your small non-road engine or a part of it has failed due to abuse, neglect, improper maintenance, unapproved modifications or the use of parts not made or approved by the original equipment manufacturer. You are responsible for presenting your small non-road engine to **Hilti** as soon as the problem exists. The warranty repairs should be completed in a reasonable amount of time, not to exceed 30 days.

Coverage

Hilti warrants to the ultimate purchaser and each subsequent purchaser that your small non-road equipment engine will be designed, built equipped, at the time of sale, to meet all applicable regulations. **Hilti** also warrants to the initial purchaser and each subsequent purchaser that the emission-related warranted parts are free from defects in material and workmanship which cause the engine to fail to conform with applicable regulations for a period of two years. These warranty periods will begin on the date small non-road equipment engine is purchased by the initial purchaser. If any emission-related part on your engine is defective during this warranty period, the part will be replaced by **Hilti** at no cost to the owner. **Hilti** shall remedy warranty defects at authorized **Hilti** service and repair centers. Any authorized work done at an authorized **Hilti** service and repair center shall be free of charge to the owner if it is determined that a warranted part is defective. Any manufacturer-approved or equivalent replacement part may be used for any warranty maintenance or repairs on emission-related parts, and must be provided free of charge to the owner if the part is still under warranty. **Hilti** is liable for damages to other engine components caused by the failure of a warranted part still under warranty. The California Air Resources Board's Emission Warranty Part List specifically defines the emission related, warranted parts. These warranted parts are: the carburetor assembly, coil assembly, rotor, spark plug, air filter, fuel filter, breather manifold and the gaskets.

Maintenance requirements

The owner is responsible for performing the required maintenance as defined by **Hilti** in the owner's manual.

Limitations

The Emission Control Systems Warranty shall not cover any of the following: a) repair or replacement required because of misuse, neglect or lack of required maintenance, b) repairs improperly performed or replacements not conforming to **Hilti** specifications that adversely affect performance and/or durability, and alterations or modifications not recommended or approved in writing by **Hilti**, and c) replacement of parts and other services and adjustments necessary for required maintenance at and after this first scheduled replacement point. Except as set forth above, the warranty terms set forth in section 12 below, apply.

11.2 Manufacturer's warranty

Hilti warrants that it will repair or replace any part containing a defect in material and workmanship for 20 years from the original sale date. This warranty is valid so long as the tool is operated and handled correctly, cleaned and serviced properly and in accordance with the **Hilti** Operating Instructions, and the technical



system is maintained. This means that only original **Hilti** consumables, components and spare parts may be used in the tool.

This warranty provides the free-of-charge repair or replacement of defective parts only over the entire lifespan of the tool. Parts requiring repair or replacement as a result of normal wear and tear are not covered by this warranty.

Additional claims are excluded, unless stringent national rules prohibit such exclusion. In particular, Hilti is not obligated for direct, indirect, incidental or consequential damages, losses or expenses in connection with, or by reason of, the use of, or inability to use the tool for any purpose. Implied warranties of merchantability or fitness for a particular purpose are specifically excluded.

For repair or replacement, contact **Hilti** immediately upon discovery of the defect at:

In the USA:

800.879.8000

Hilti Inc.

7250 Dallas Parkway, Suite 1000

Plano, TX 75024

CS.InboundUS@hilti.com

In Canada:

800.343.4458

Hilti (Canada) Corporation

2360 Meadowpine Blvd

Mississauga, ON L5N 6S2

CanadaSalesSupport.English@hilti.com

CanadaSalesSupport.French@hilti.com

This constitutes **Hilti**'s entire obligation with regard to warranty and supersedes all prior or contemporaneous comments and oral or written agreements concerning warranties.

Mode d'emploi original

1 Indications relatives à la documentation

1.1 À propos de cette documentation

- Lire intégralement la présente documentation avant la mise en service. C'est la condition préalablement requise pour assurer la sécurité du travail et un maniement sans perturbations.
- Bien respecter les consignes de sécurité et les avertissements de la présente documentation ainsi que celles figurant sur le produit.
- Toujours conserver le mode d'emploi à proximité du produit et uniquement le transmettre à des tiers avec ce mode d'emploi.

1.2 Explication des symboles

1.2.1 Avertissements

Les avertissements attirent l'attention sur des dangers liés à l'utilisation du produit. Les termes de signalisation suivants sont utilisés :

 **DANGER**

DANGER !

- Pour un danger imminent qui peut entraîner de graves blessures corporelles ou la mort.

 **AVERTISSEMENT**

AVERTISSEMENT !

- Pour un danger potentiel qui peut entraîner de graves blessures corporelles ou la mort.



ATTENTION

ATTENTION !

- Pour une situation potentiellement dangereuse pouvant entraîner des blessures corporelles ou des dégâts matériels.

1.2.2 Symboles dans le manuel d'utilisation

Les symboles suivants sont utilisés dans le présent manuel d'utilisation :

	Respecter le manuel d'utilisation
	Pour des conseils d'utilisation et autres informations utiles
	Maniement des matériaux recyclables
	Ne pas jeter les appareils électriques et les accus dans les ordures ménagères

1.2.3 Symboles dans les illustrations

Les symboles suivants sont utilisés dans les illustrations :

	Ces chiffres renvoient à l'illustration correspondante au début du présent manuel d'utilisation.
	La numérotation détermine la séquence des étapes de travail dans l'image et peut se différencier de celles des étapes de travail dans le texte.
	Les numéros de position sont utilisés dans l'illustration Vue d'ensemble et renvoient aux numéros des légendes dans la section Vue d'ensemble du produit .
	Ce signe doit inviter à manier le produit en faisant particulièrement attention.

1.3 Symboles spécifiques au produit

1.3.1 Symboles sur le produit

Les symboles suivants sont utilisés sur le produit :

	AVERTISSEMENT ! Lire et respecter toutes les instructions de sécurité du manuel d'utilisation. Le non-respect de ces instructions peut entraîner des blessures graves, voire la mort.
	Flèche indiquant le sens de rotation sur le carter de protection
	Position Arrêt du moteur
	Position Marche du moteur
	Pompe de démarreur
	Vis de réglage de la buse de plein régime
	Vis de réglage de la buse de marche à vide
	Vis de réglage de la marche à vide
	Mélange de carburants
	Sens d'ouverture du couvercle du réservoir
/min	Vitesse de rotation
RPM	Tours par minute



	Diamètre
	Transmission de données sans fil

1.3.2 Symboles de danger

Les symboles suivants sont utilisés sur le produit :

	Danger d'ordre général
	Danger dû aux projections d'escarbilles
	Danger dû au contrecoup
	Avertissement de risques d'inhalation de vapeurs toxiques et gaz d'échappement
	Danger dû à une surface chaude
	Vitesse maximale de l'arbre

1.3.3 Symboles d'obligation

Les symboles suivants sont utilisés sur le produit :

	Porter un casque antibruit, des lunettes de protection, un masque respiratoire et un casque de protection
	Porter des gants de protection
	Porter des chaussures de protection

1.3.4 Symboles d'interdiction

Les symboles suivants sont utilisés sur le produit :

	Ne pas utiliser de disques à tronçonner dentés
	Ne pas utiliser de disques à tronçonner endommagés
	Interdiction de fumer et de manipuler l'appareil à proximité d'un feu ouvert

1.4 Informations produit

Les produits sont destinés aux professionnels et ne doivent être utilisés, entretenus et réparés que par un personnel autorisé et formé. Ce personnel doit être spécialement instruit quant aux dangers inhérents à l'utilisation de l'appareil. Le produit et ses accessoires peuvent s'avérer dangereux s'ils sont utilisés de manière incorrecte par un personnel non qualifié ou de manière non conforme à l'usage prévu.

La désignation du modèle et le numéro de série figurent sur sa plaque signalétique.

- Inscrivez le numéro de série dans le tableau suivant. Les informations produit vous seront demandées lorsque vous contactez nos revendeurs ou services après-vente.

Caractéristiques produit

Tronçonneuse	DSH 600-X
Génération	01
N° de série	



2 Sécurité

2.1 Indications générales de sécurité

⚠ AVERTISSEMENT Lire toutes les consignes de sécurité, instructions, illustrations et caractéristiques techniques, qui accompagnent ce produit. Tout manquement au respect des instructions suivantes peut entraîner de graves blessures ou un accident mortel.

Les consignes de sécurité et instructions doivent être intégralement conservées pour les utilisations futures.

2.2 Sécurité des personnes

- ▶ Utiliser l'appareil approprié. Ne pas utiliser l'appareil à des fins non prévues, mais seulement conformément aux spécifications et dans un état technique irréprochable.
- ▶ Ne jamais entreprendre de manipulation ni de modification sur l'appareil.
- ▶ Le produit doit uniquement être utilisé par des personnes qui connaissent bien l'appareil, ayant été formées quant à son utilisation en toute sécurité et comprenant les dangers qui en résultent. Le produit n'est pas destiné aux enfants.
- ▶ Rester vigilant, surveiller ce que l'on fait. Faire preuve de bon sens en utilisant le produit. Ne pas utiliser le produit en étant fatigué ou sous l'emprise de drogues, de l'alcool ou de médicaments. Un moment d'inattention lors de l'utilisation du produit peut entraîner des blessures graves.
- ▶ **Tenir la tronçonneuse bien fermement des deux mains et maintenir le corps et les bras dans un position permettant d'amortir la force de contrecoup. Toujours utiliser la poignée supplémentaire, si celle-ci est présente, afin d'avoir le meilleur contrôle possible sur les forces de contrecoup ou les couples antagonistes lors de l'accélération à pleine vitesse.** L'utilisateur peut maîtriser les forces de contrecoup et antagonistes en prenant les précautions appropriées.
- ▶ Ne pas utiliser d'autres outils de coupe que ceux décrits dans la présente documentation.
- ▶ Sauf spécification à cet effet par le fabricant, ne pas utiliser de disques à liant artificiel pour la coupe avec de l'eau.
- ▶ Ne pas utiliser de douilles de réduction et/ou de brosses rondes.
- ▶ Pendant l'utilisation de l'appareil, conformément à la norme ANSI Z87.1, l'utilisateur et les personnes à proximité doivent porter des lunettes de protection homologuées, un casque de protection, des protections auditives, des gants de protection, des chaussures de sécurité et une protection respiratoire appropriée.
- ▶ Avant d'utiliser le produit, ou en cas de collision avec un obstacle, vérifier immédiatement si le carter de protection n'est pas endommagé. Tout carter de protection endommagé ou cassé doit être immédiatement remplacé.
- ▶ Veiller à disposer d'un extincteur à proximité, car il y a risque d'incendie du fait de la formation d'étincelles lors du travail et de l'utilisation de carburant.
- ▶ Les poussières de matériaux telles que des poussières de peinture au plomb, de certains types de bois, minéraux et métaux, peuvent être nocives pour la santé. Le contact ou l'aspiration des poussières peut provoquer des réactions allergiques et/ou des maladies respiratoires de l'utilisateur ou de toute personne se trouvant à proximité. Pour réduire la quantité des poussières dégagées par le tronçonnage, nous vous recommandons de travailler de préférence avec de l'eau. Veiller à ce que le poste de travail soit bien ventilé. Respecter les prescriptions locales en vigueur qui s'appliquent aux matériaux travaillés.
- ▶ Toujours tenir l'appareil des deux mains par les poignées prévues à cet effet. Veiller à ce que les poignées soient toujours sèches, propres et exemptes de traces de graisse et d'huile.
- ▶ Si la vitesse de rotation augmente de manière incontrôlée, régler l'interrupteur Marche/Arrêt sur Stop. Contacter le S.A.V. Hilti.
- ▶ Lorsque la poignée d'accélération contrôlée est relâchée à plein régime, le freinage génère un petit couple de renversement de l'appareil, dirigé vers l'avant. Mieux vaut l'anticiper et toujours tenir l'appareil des deux mains par les poignées prévues à cet effet.
- ▶ Ne jamais utiliser l'appareil sans carter de protection. Mettre le carter de protection bien en place. Il doit être correctement fixé et positionné pour assurer une protection maximale, de sorte que la partie du disque à tronçonner non protégée en direction de l'utilisateur soit la plus petite possible. Veiller à ce que les étincelles produites en cours d'utilisation n'engendrent pas de danger. Le carter de protection sert à protéger l'utilisateur contre des fragments de disques à tronçonner cassés, le contact involontaire du disque à tronçonner ainsi que des étincelles incontrôlées.
- ▶ Éviter de toucher des pièces en rotation – Risque de blessures !
- ▶ Veiller à garder toujours une position stable et équilibrée. Ceci permet de mieux contrôler le produit dans des situations inattendues. Éviter toute posture anormale. Lors de l'utilisation du produit, le tenir de sorte



que la poussière, les projections d'escarbilles et d'éventuels éclats de l'outil amovible ou de la pièce à usiner ne touchent pas le corps. Ne pas se pencher au-dessus du disque à tronçonner.

- ▶ S'habiller de manière adaptée. Ne pas porter de vêtements amples ni de bijoux. Garder les cheveux, les vêtements et les gants à distance des parties en mouvement. Des vêtements amples, des bijoux ou des cheveux longs peuvent être happés par des parties en mouvement.
- ▶ Si le produit ou le disque à tronçonner est tombé, vérifier que le produit et le disque à tronçonner ne sont pas endommagés. Le cas échéant, remplacer le disque à tronçonner.
- ▶ Arrêter le produit avant de modifier le réglage du carter de protection ou de changer de disque à tronçonner.
- ▶ Porter aussi des gants de protection pour changer d'outil. Risque de blessures par coupure et de brûlures au contact avec le disque à tronçonner.
- ▶ Éviter que la peau n'entre en contact avec les boues qui se forment lors du tronçonnage avec de l'eau.
- ▶ Ne pas tronçonner des matériaux contenant de l'amiante.
- ▶ Ne pas tronçonner ni usiner des matériaux légèrement inflammables tels que le magnésium ou le bois/les poutres en bois.
- ▶ Faire régulièrement des pauses et des exercices de relaxation et de massage des doigts pour favoriser l'irrigation sanguine dans les doigts. En cas de travaux prolongés, les vibrations peuvent perturber la circulation dans les vaisseaux sanguins ou le système nerveux dans les doigts, les mains ou le poignet.
- ▶ Avant de commencer le travail, consulter le staticien, l'architecte ou le chef de chantier compétent. Les fentes dans des murs et autres structures porteurs sont susceptibles de modifier la statique de la construction, en particulier lors d'interventions sur des armatures métalliques ou des éléments porteurs.
- ▶ Lors de travaux d'ajourage, protéger l'espace du côté opposé aux travaux. Des morceaux de matériaux risquent d'être éjectés et / ou de tomber, et de blesser d'autres personnes.
- ▶ Ne jamais laisser le produit fonctionner sans surveillance.
- ▶ Arrêter le moteur et attendre jusqu'à ce que le disque à tronçonner soit complètement immobile avant de déposer le produit au sol ou de le porter ou transporter jusqu'à la prochaine position de travail.
- ▶ Si le produit est utilisé sans pompe à eau externe, il faut dans tous les cas monter le couvercle de pompe.
- ▶ Toujours arrêter le produit après utilisation.
- ▶ Entretenir soigneusement le produit. Vérifier que le fonctionnement du produit n'est pas entravé par des pièces cassées ou endommagées. Faire réparer les parties endommagées avant d'utiliser le produit.
- ▶ N'utiliser que des accessoires et des outils d'origine de **Hilti** pour éviter tout risque de blessures.
- ▶ Ne faire réparer le produit que par un personnel qualifié et seulement avec des pièces de rechange d'origine. Ceci permet d'assurer la sécurité du produit.
- ▶ Observer les exigences en matière de sécurité nationales en vigueur.

2.3 Sécurité des personnes

- ▶ Utiliser l'appareil approprié. Ne pas utiliser l'appareil à des fins non prévues, mais seulement conformément aux spécifications et dans un état technique irréprochable.
- ▶ Ne jamais entreprendre de manipulation ni de modification sur l'appareil.
- ▶ Le produit doit uniquement être utilisé par des personnes qui connaissent bien l'appareil, ayant été formées quant à son utilisation en toute sécurité et comprenant les dangers qui en résultent. Le produit n'est pas destiné aux enfants.
- ▶ Rester vigilant, surveiller ce que l'on fait. Faire preuve de bon sens en utilisant le produit. Ne pas utiliser le produit en étant fatigué ou sous l'emprise de drogues, de l'alcool ou de médicaments. Un moment d'inattention lors de l'utilisation du produit peut entraîner des blessures graves.
- ▶ L'utilisateur et les personnes se trouvant à proximité pendant l'utilisation de l'appareil doivent porter des lunettes de protection homologuées conformes à la norme ANSI Z87.1, un casque de protection, un casque antibruit, des gants de protection, des chaussures de protection et un masque respiratoire léger.
- ▶ Toujours tenir l'appareil des deux mains par les poignées prévues à cet effet. Veiller à ce que les poignées soient toujours sèches, propres et exemptes de traces de graisse et d'huile.
- ▶ Ne jamais utiliser l'appareil sans carter de protection. Mettre le carter de protection bien en place. Il doit être correctement fixé et positionné pour assurer une protection maximale, de sorte que la partie du disque à tronçonner non protégée en direction de l'utilisateur soit la plus petite possible. Veiller à ce que les étincelles produites en cours d'utilisation n'engendrent pas de danger. Le carter de protection sert à protéger l'utilisateur contre des fragments de disques à tronçonner cassés, le contact involontaire du disque à tronçonner ainsi que des étincelles incontrôlées.
- ▶ Avant d'utiliser le produit, ou en cas de collision avec un obstacle, vérifier immédiatement si le carter de protection n'est pas endommagé. Tout carter de protection endommagé ou cassé doit être immédiatement remplacé.



- ▶ Éviter de toucher des pièces en rotation – Risque de blessures !
- ▶ Veiller à garder toujours une position stable et équilibrée. Ceci permet de mieux contrôler le produit dans des situations inattendues, par exemple en cas de contrecoup ou de forces centrifuges. Éviter toute posture anormale.
- ▶ S'habiller de manière adaptée. Ne pas porter de vêtements amples ni de bijoux. Garder les cheveux, les vêtements et les gants à distance des parties en mouvement. Des vêtements amples, des bijoux ou des cheveux longs peuvent être happés par des parties en mouvement.
- ▶ Lorsque la poignée d'accélération contrôlée est relâchée à plein régime, le freinage génère un petit couple de renversement de l'appareil, dirigé vers l'avant. Mieux vaut l'anticiper et toujours tenir l'appareil des deux mains par les poignées prévues à cet effet.
- ▶ Si le produit ou le disque à tronçonner est tombé, vérifier que le produit et le disque à tronçonner ne sont pas endommagés. Le cas échéant, remplacer le disque à tronçonner.
- ▶ Arrêter le produit avant de modifier le réglage du carter de protection ou de changer de disque à tronçonner.
- ▶ Porter des gants de protection pour changer d'outil. Risque de blessures par coupure et de brûlures au contact avec le disque à tronçonner.
- ▶ Veiller à disposer d'un extincteur à proximité, car il y a risque d'incendie du fait de la formation d'étincelles lors du travail et de l'utilisation de carburant.
- ▶ Ne pas utiliser de bague de réduction.
- ▶ Travailler de préférence avec de l'eau pour réduire la quantité des poussières dégagées par le tronçonnage de matériaux minéraux ou asphaltiques.
- ▶ Éviter que la peau n'entre en contact avec les boues qui se forment lors du tronçonnage avec de l'eau.
- ▶ Les poussières de matériaux telles que des poussières de peinture au plomb, de certains types de bois, minéraux et métaux, peuvent être nocives pour la santé. Le contact ou l'aspiration des poussières peut provoquer des réactions allergiques et/ou des maladies respiratoires de l'utilisateur ou de toute personne se trouvant à proximité. Pour réduire la quantité des poussières dégagées par le tronçonnage, nous vous recommandons de travailler de préférence avec de l'eau. Veiller à ce que le poste de travail soit bien ventilé. Il est recommandé de porter un masque antipoussière de la classe de filtre P2. Respecter les prescriptions locales en vigueur qui s'appliquent aux matériaux travaillés.
- ▶ Ne pas tronçonner des matériaux contenant de l'amiante.
- ▶ Ne pas tronçonner ni usiner des matériaux légèrement inflammables tels que le magnésium ou le bois/les poutres en bois.
- ▶ Faire régulièrement des pauses et des exercices de relaxation et de massage des doigts pour favoriser l'irrigation sanguine dans les doigts. En cas de travaux prolongés, les vibrations peuvent perturber la circulation dans les vaisseaux sanguins ou le système nerveux dans les doigts, les mains ou le poignet.
- ▶ Avant de commencer le travail, consulter le staticien, l'architecte ou le chef de chantier compétent. Les fentes dans des murs et autres structures porteurs sont susceptibles de modifier la statique de la construction, en particulier lors d'interventions sur des armatures métalliques ou des éléments porteurs.
- ▶ Lors de travaux d'ajourage, protéger l'espace du côté opposé aux travaux. Des morceaux de matériaux risquent d'être éjectés et / ou de tomber, et de blesser d'autres personnes.
- ▶ Ne jamais laisser le produit fonctionner sans surveillance. Arrêter le moteur et attendre jusqu'à ce que le disque à tronçonner soit complètement immobile avant de déposer le produit au sol ou de le transporter.
- ▶ Si le produit est utilisé sans pompe à eau externe, il faut dans tous les cas monter le couvercle de pompe.
- ▶ Toujours arrêter le produit après utilisation.
- ▶ Entretenir soigneusement le produit. Vérifier que le fonctionnement du produit n'est pas entravé par des pièces cassées ou endommagées. Faire réparer les parties endommagées avant d'utiliser le produit.
- ▶ Utiliser uniquement les accessoires et outils Hilti d'origine, pour éviter tout risque de blessure.
- ▶ Ne faire réparer le produit que par un personnel qualifié et seulement avec des pièces de rechange d'origine. Ceci permet d'assurer la sécurité du produit.
- ▶ Observer les exigences en matière de sécurité nationales en vigueur.

2.4 Sécurité relative au système électrique

- ▶ Avant d'entamer le travail, vérifier qu'il n'y a pas de câbles ou gaines électriques, tuyaux de gaz ou d'eau cachés dans la zone d'intervention. Toutes pièces métalliques extérieures de l'appareil sont susceptibles de provoquer une décharge électrique si un câble électrique est endommagé par inadvertance.
- ▶ Organiser le travail à effectuer à l'avance après avoir inspecté le site d'intervention. Vérifier si des panneaux d'avertissement ont été posés et s'il faut définir une distance de travail à respecter par rapport aux autres personnes.



2.5 Sécurité sur le lieu de travail

- ▶ Veiller à ce que l'espace de travail soit bien éclairé.
- ▶ Ne jamais travailler dans des locaux fermés. Le monoxyde de carbone, les hydrocarbures imbrûlés et le benzène dans les gaz d'échappement peuvent provoquer une asphyxie.
- ▶ Laisser le poste de travail en ordre. Débarrasser le poste de travail de tous objets susceptibles de blesser. Un désordre sur le lieu de travail peut provoquer des accidents.
- ▶ Les étincelles chaudes véhiculées par les gaz d'échappement ainsi que les étincelles produites lors de la découpe peuvent être à l'origine d'incendies et/ou d'explosions. S'assurer que les étincelles générées ne peuvent pas allumer des substances inflammables (essence, herbe sèche, etc. ou explosives (gaz, etc.).
- ▶ Après le montage de la pompe à eau, s'assurer que les vis sont bien serrées avec le couple de serrage recommandé.
- ▶ Avant de monter la pompe à eau, s'assurer que la pression maximale autorisée de 87 psi n'est pas dépassée dans la conduite d'eau.

2.6 Liquides (essence et huile) et vapeurs

- ▶ Il y a risque pour la santé en respirant les vapeurs d'essence et au contact avec l'essence.
 - ▶ Éviter le contact direct de l'essence avec la peau. Porter des gants de protection.
 - ▶ Si des vêtements sont souillés avec de l'essence, il faut impérativement en changer.
 - ▶ Veiller à une bonne ventilation du poste de travail, pour éviter de respirer les vapeurs d'essence.
 - ▶ Utiliser un récipient à carburant conforme aux prescriptions.
- ▶ Ne pas mettre d'essence dans le produit lorsque le moteur est en marche. Attendre jusqu'à ce que le moteur ait refroidi.
- ▶ Ne jamais fumer en faisant le plein d'essence, il y a un risque d'incendie et d'explosion.
- ▶ Ne pas ravitailler le produit à proximité de l'environnement de travail (il doit se trouver à 3 mètres/10 pieds du poste de travail). En faisant le plein, veiller à ne pas renverser de carburant. Utiliser un entonnoir approprié.
- ▶ Éviter de respirer les vapeurs d'essence et les gaz d'échappement. Veiller toujours à ce que la ventilation soit suffisante.
- ▶ Ne pas utiliser d'essence ni toute autre substance inflammable pour effectuer des opérations de nettoyage.

2.7 Travaux avec des disques à tronçonner

- ▶ N'utiliser que des disques à tronçonner dont la vitesse de rotation admissible est au moins aussi élevée que la vitesse de rotation maximale de la broche.
- ▶ Veiller à ce que le diamètre extérieur et l'épaisseur du disque à tronçonner correspondent aux cotes du produit utilisé.
- ▶ Ne jamais utiliser de disques à tronçonner endommagés, ovalisés ou vibrants.
- ▶ Ne pas utiliser de disques diamant endommagés (fentes sur la lame principale, segments cassés ou émoussés, alésage de disque endommagé, lame principale tordue ou voilée, forte altération de la couleur par surchauffe, lame principale usée sous les segments diamantés, segments diamantés sans saillie latérale, etc.).
- ▶ Ne pas utiliser d'outil à tronçonner denté.
- ▶ Lors du montage du disque à tronçonner, il faut toujours veiller à ce que son sens de rotation corresponde bien au sens de rotation de la broche. Ne monter toujours d'un seul disque à tronçonner à la fois.
- ▶ Les disques à tronçonner et flasque autres accessoires doivent exactement s'adapter sur la broche du produit. Les disques à tronçonner ne s'adaptent pas exactement à la broche du produit, tournent de manière irrégulière, vibrent très fortement et peuvent entraîner la perte de contrôle et la cassure du disque à tronçonner.
- ▶ Toujours utiliser un flasque de serrage non endommagé et de diamètre correct adapté aux disques à tronçonner utilisés. Un flasque de serrage adapté soutient le disque à tronçonner et réduit la probabilité que le disque à tronçonner se casse.
- ▶ Guider régulièrement le produit et sans exercer de pression latérale sur le disque à tronçonner. Toujours approcher le disque à tronçonner perpendiculairement par rapport à la pièce travaillée. Lors du tronçonnage, ne pas modifier le sens de coupe en exerçant une pression latérale ou en pliant le disque à tronçonner.
- ▶ Les disques à tronçonner abrasifs, qui ont été utilisés pour le tronçonnage à l'eau, ne doivent plus être réutilisés le lendemain, étant donné que l'eau et l'humidité en altèrent la qualité.



- ▶ Ne pas monter de lames de scie pour le bois.
- ▶ N'utiliser que des disques à tronçonner correspondant aux normes existantes en matière de disques à tronçonner.
- ▶ Contrôler le disque à tronçonner avant de le monter et de l'utiliser à la recherche de dommages. Ne pas monter de disques à tronçonner endommagés. Observer les consignes du fabricant du disque à tronçonner.

2.8 CALIFORNIA PROPOSITION 65

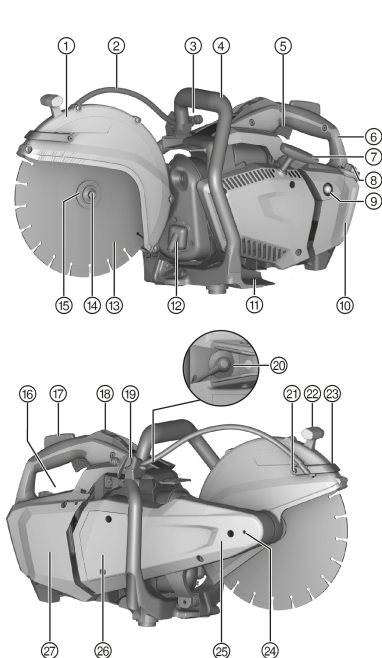
DANGER

Fuels used in gas or oil filled appliances and the product of combustion of such fuels contain chemicals (including Benzene, toluene, xylenes, 1,3 butadiene and formaldehyde) known to the State of California to cause cancer, birth defects or other reproductive harm. **Wash hands after handling!**

3 Description

3.1 Vue d'ensemble du produit

3.1.1 Tronçonneuse thermique



- ① Carter de protection
- ② Alimentation en eau
- ③ Raccord d'eau
- ④ Poignée avant
- ⑤ Manette de commande des gaz
- ⑥ Poignée arrière
- ⑦ Démarreur à câble
- ⑧ Bouchon de réservoir à carburant
- ⑨ Pompe de démarreur
- ⑩ Jauge du réservoir
- ⑪ Repose-pieds
- ⑫ Sortie d'échappement avec filtre pare-étincelles
- ⑬ Disque à tronçonner
- ⑭ Vis de serrage
- ⑮ Flasque de serrage
- ⑯ Plaque signalétique
- ⑰ Poignée d'accélérateur de sécurité avec actionnement intégré du système de frein
- ⑱ Interrupteur Marche / Arrêt avec blocage d'admission réduite intégré
- ⑲ Robinet d'eau
- ⑳ Cosse de bougie
- ㉑ Bouchon de nettoyage à vis pour buse à eau
- ㉒ Poignée pour le réglage du carter de protection
- ㉓ Coudé à eau avec buses à eau intégrées
- ㉔ Orifice de blocage pour changement de disques à tronçonner
- ㉕ Bras de tronçonneuse
- ㉖ Couvercle de pompe
- ㉗ Couvercle du filtre à air

3.2 Utilisation conforme à l'usage prévu

Le produit décrit est une tronçonneuse motorisée, destinée à tronçonner avec des disques diamantés ou abrasifs, à sec ou à l'eau, des matériaux de construction asphaltiques, minéraux ou métalliques.

La tronçonneuse n'est pas conçue pour être utilisée dans un environnement présentant des risques d'incendie ou d'explosion.



3.3 Mauvaise utilisation possible

- ▶ La tronçonneuse thermique ne doit pas être utilisée comme pelle.

3.4 Indications relatives à l'utilisation

- Travailler de préférence avec de l'eau pour réduire la quantité des poussières dégagées par le tronçonnage. Avec la pompe à eau auto-aspirante (accessoire), il est possible de travailler indépendamment du réseau d'eau, en aspirant p. ex. directement à partir d'un récipient.
- Ne pas tronçonner la pièce travaillée en une seule passe, mais plutôt déplacer la tronçonneuse en exerçant plusieurs mouvements de va-et-vient et avancer progressivement jusqu'à la profondeur souhaitée.
- Lorsque le tronçonnage est réalisé à sec, sortir le disque à tronçonner de la coupe toutes les 30 à 60 secondes pendant environ 10 secondes en cours de fonctionnement du produit, pour éviter d'endommager le disque à tronçonner diamant.
- Lorsqu'un disque diamant s'est émoussé (le liant n'est plus hérissé d'angles diamantés), il peut retrouver son tranchant en travaillant une matière très abrasive comme du grès ou analogue.

3.5 Spécifications des disques à tronçonner

AVERTISSEMENT

Risque de blessures. L'utilisation de disques à tronçonner qui ne sont pas conformes à la norme ANSI peut augmenter le risque de blessures pour l'utilisateur.

- ▶ N'utiliser aucun disque à tronçonner non conforme à la norme ANSI en vigueur pour les disques à tronçonner.

Pour ce produit, il convient d'utiliser des disques à tronçonner diamantés conformes aux recommandations de la norme ANSI B7.1. Pour ce produit, il est également possible d'utiliser des disques à tronçonner renforcés aux fibres et liés à la résine conformes aux recommandations de la norme ANSI B7.1.(droits et non coudés, de type cut-off wheel) pour travailler sur des matériaux métalliques.

Respecter également les instructions d'utilisation et de montage du fabricant de disques à tronçonner.


3.6 Éléments livrés

Tronçonneuse à essence, jeu d'outils DSH 600-X, jeu de pièces détachées DSH 600-X, mode d'emploi.

D'autres produits système pour votre produit peuvent être trouvés dans votre **Hilti Store** ou à l'adresse : www.hilti.group

3.7 Frein de lame circulaire

Le produit est équipé d'un système de frein de lame circulaire intégré pour renforcer la sécurité des utilisateurs. Après avoir relâché la poignée d'accélération contrôlée, la lame circulaire est freinée en 10 secondes tout au plus.

 Lorsque la poignée d'accélération contrôlée est relâchée à plein régime, le freinage génère un petit couple de renversement de l'appareil, dirigé vers l'avant. C'est pourquoi il faut toujours tenir l'appareil des deux mains par les poignées prévues à cet effet.

3.8 Consommables et pièces d'usure

- Filtre à air
- Câble
- Démarreur
- Filtre à essence
- Bougie d'allumage
- Jeu d'outils
- Jeu de cylindres
- Vis de fixation (jeu complet)
- Flasque de disque à tronçonner abrasif (avec bague de centrage 20 mm / 1 ")
- Flasque de disque à tronçonner diamanté (avec bague de centrage 20 mm / 1 ")



4 Caractéristiques techniques

4.1 Tronçonneuse thermique

	DSH 600-X
Cylindrée	3,86 in ³ (63,3 cm ³)
Poids avec flasques pour disques diamantés, sans disque, avec réservoir vide	21,72 lb (9,85 kg)
Puissance nominale à 8.500/min selon ISO 7293	4,3 hp (3,2 kW)
Vitesse maximale de l'arbre	5.080 tr/min
Vitesse maximale des disques à tronçonner	5.080 tr/min
Profondeur de coupe maximale	4,7 in (120 mm)
Carburateur	Walbro ; Modèle : WT-1203

4.2 Autres caractéristiques techniques

	DSH 600-X
Type de moteur	Moteur à deux temps/ mono-cylindre/ refroidi à l'air
Vitesse du moteur maximale	8.700 tr/min
Vitesse de rotation à vide	2900 ± 200 tr/min
Allumage (type)	Électronique
Écartement des électrodes	0,03 in (0,7 mm)
Bougie d'allumage	NGK, Type : CMR7A
Couple de serrage de la bougie d'allumage	9 ftlb, (12 Nm)
Mélange de carburants	Huile API-TC 2 % (1:50)
Volume du réservoir	870 cm ³
Volume du réservoir	29,4 oz
Alésage de fixation du disque à tronçonner/ diamètre du support de centrage du flasque de centrage	0,8 in (20 mm)
Alésage de fixation du disque à tronçonner/ diamètre du support de centrage du flasque de centrage	1,00 in (25,4 mm)
⚠ Diamètre extérieur minimal de flasque pour disques à tronçonner diamantés (uniquement pour les disques avec noyau en acier ; Les flasques présentent le marquage : "FOR DIAMOND ABRASIVE STEEL CORE WHEELS ONLY").	2,4 in (60 mm)
⚠ Diamètre extérieur minimal de flasque pour disques à tronçonner abrasifs (disques composites)	3,1 in (78 mm)
Diamètre extérieur maximal du disque à tronçonner	11,8 in (300 mm)
Épaisseur nominale maximale du disque à tronçonner (uniquement pour les disques avec noyau en acier)	0,18 in (4,5 mm)
Épaisseur nominale maximale du disque à tronçonner (disques composites)	0,16 in (4,0 mm)
Couple de serrage du disque à tronçonner	18 ftlb, (25 Nm)



5 Mise en service

5.1 Carburant

Le moteur à deux temps fonctionne avec un mélange d'essence et d'huile. La qualité du mélange de carburant influe considérablement sur le fonctionnement et la durée de vie du moteur.



AVERTISSEMENT

Risque de blessures. Il y a risque pour la santé en respirant les vapeurs d'essence et au contact avec l'essence.

- ▶ Éviter le contact direct de l'essence avec la peau. Porter des gants de protection.
 - ▶ Si des vêtements sont souillés avec de l'essence, il faut impérativement en changer.
 - ▶ Veiller à une bonne ventilation du poste de travail, pour éviter de respirer les vapeurs d'essence.
 - ▶ Utiliser un récipient à carburant conforme aux prescriptions.
-

5.1.1 Utilisation de l'huile pour moteur à deux temps

- ▶ Pour les moteurs refroidis par air, utiliser une huile pour moteur à deux temps de qualité qui soit au minimum conformes aux spécifications API-TC.

5.1.2 Essence

- ▶ Utiliser de l'essence normale ou super avec un indice d'octane d'au moins 89 ROZ.



La teneur en alcool (par ex. éthanol, méthanol et autres) du carburant utilisé ne doit pas dépasser 10 %, sans quoi il y a risque de raccourcir considérablement la durée de vie du moteur.

5.1.3 Mélange du carburant



Toute utilisation d'un carburant dont les constituants ne sont pas mélangés dans les proportions correctes ou d'une huile non appropriée endommage le moteur.

Utiliser une proportion de mélange de 1:50. Soit 1 part d'huile pour moteurs à deux temps de qualité conforme aux spécifications API-TC et 50 parts d'essence (p. ex. 100 ml d'huile et 5 litres d'essence dans un bidon).

1. Verser la quantité d'huile pour moteurs à deux temps requise dans le réservoir à carburant.
 2. Verser l'essence dans le réservoir à carburant.
 3. Fermer le réservoir à carburant.
 4. Mélanger le carburant en secouant le réservoir à carburant.
-



Si la qualité de l'huile pour moteurs à deux temps utilisée ou de l'essence n'est pas connue, augmenter la proportion de mélange à 1:25.

5.1.4 Appoint en carburant / remplissage du réservoir

1. Mélanger le carburant (huile pour moteurs à deux temps/mélange d'essence) en secouant le réservoir à carburant.
 2. Déposer le produit debout dans une position stable.
 3. Ouvrir le réservoir à carburant en tournant le couvercle dans le sens contraire des aiguilles d'une montre puis l'enlever.
 4. Adapter un entonnoir sur l'orifice et verser lentement le carburant dans le réservoir.
 5. Fermer le réservoir à carburant en mettant le couvercle en place et en le tournant dans le sens des aiguilles d'une montre.
 6. Fermer le réservoir à carburant.
-

5.2 Travaux de montage et de réglage



AVERTISSEMENT

Risque de blessures. Il y a risque de se blesser en touchant le disque à tronçonner en rotation. Il y a risque de se brûler au contact avec des composants de la machine ou du disque à tronçonner très chauds.

- ▶ Avant d'effectuer des montages ou des changements sur le produit, le moteur à l'arrêt, s'assurer que le disque à tronçonner est complètement à l'arrêt et que le produit est refroidi.
 - ▶ Porter des gants de protection.
-



5.2.1 Montage du disque à tronçonner 2, 3, 4

AVERTISSEMENT

Risque de blessures et d'endommagement. En cours de fonctionnement, les disques à tronçonner incompatibles ou le matériel de fixation peuvent être détruits ou provoquer une perte de contrôle du produit, voire même à la cassure de l'outil amovible.

- ▶ Veiller à ce que la vitesse de rotation admissible du disque à tronçonner soit au moins aussi élevée que la vitesse de rotation maximale de la broche indiquée sur le produit. Les disques à tronçonner, flasques et vis doivent correspondre au produit.
- ▶ N'utiliser que des disques à tronçonner dont le trou central présente un diamètre de 20 mm ou 25,4 mm (1") et s'adaptant à la douille de centrage.
- ▶ Utiliser exclusivement le grand flasque d'un diamètre de 78 mm (3") pour fixer en toute sécurité le disque à tronçonner abrasif.

AVERTISSEMENT

Risque de blessures et d'endommagement. Les disques à tronçonner endommagés risquent de se casser.

- ▶ Sitôt qu'un disque à tronçonner a reçu un coup, vérifier que le disque à tronçonner n'est pas endommagé et le remplacer le cas échéant.
- ▶ Ne jamais utiliser de disques à tronçonner endommagés, ovalisés ou vibrants.
- ▶ Ne pas utiliser de disques à tronçonner renforcés aux fibres et liés à la résine dont la date limite d'utilisation est dépassée ou qui sont déjà ramollis par l'eau.

AVERTISSEMENT

Risque de blessures et d'endommagement. Des vis de fixation trop serrées peuvent endommager ou casser la vis de fixation elle-même ou la rondelle montée sur la vis de fixation.

- ▶ Toujours serrer la vis de fixation au couple indiqué.
- ▶ Veiller à ne pas trop serrer la vis de fixation.

AVERTISSEMENT

Risque de blessures ! Si le disque à tronçonner n'est pas monté ou démonté correctement, des pièces détachées peuvent être projetées dans les yeux et provoquer des blessures.

- ▶ Toujours porter des lunettes de protection lors du changement de l'outil amovible.

1. Introduire la cheville d'arrêt dans l'orifice du carter de la courroie de transmission et tourner le disque jusqu'à ce que la cheville d'arrêt s'enclenche.
2. Desserrer la vis de fixation à l'aide de la clé dans le sens inverse des aiguilles d'une montre et enlever la vis de fixation avec le disque.
3. Retirer la cheville d'arrêt.
4. Enlever le flasque de serrage et le disque à tronçonner.
5. Vérifier que l'orifice du disque à monter coïncide avec le support de centrage du flasque support de disque.



Le flasque est doté sur une face d'un support de centrage d'un diamètre de 20 mm et sur l'autre face d'un support de centrage d'un diamètre de 25,4 mm (1").

6. Nettoyer les surfaces de serrage et de centrage sur le produit ainsi que sur le disque à tronçonner.
7. Choisir l'une des alternatives suivantes.

Alternative 1/2

- ▶ Utiliser exclusivement le grand flasque pour fixer en toute sécurité le disque à tronçonner abrasif.

Alternative 2/2

- ▶ Dans le cas de disques diamantés, utiliser le petit flasque pour bénéficier de toute la profondeur de coupe.
8. Placer le disque à tronçonner avec la nervure de centrage sur l'axe d'entraînement et vérifier que le sens de rotation est correct.
 - ▶ La flèche indiquant le sens de rotation sur le disque à tronçonner doit correspondre au sens de rotation indiqué sur le produit.
 9. Placer le flasque de serrage et le disque sur l'axe d'entraînement et serrer à fond la vis de fixation dans le sens des aiguilles d'une montre.



10. Introduire la cheville d'arrêt dans l'orifice de blocage de la courroie de transmission et tourner le disque jusqu'à ce que la cheville d'arrêt s'enclenche.
11. Serrer la vis de fixation (couple de serrage : 25 Nm).
12. Retirer la cheville d'arrêt.

ATTENTION

Risque de blessures et d'endommagement. Les outils amovibles peuvent se casser.

- ▶ Ne jamais utiliser d'outils amovibles endommagés, voilés ou vibrants.
- ▶ Se tenir en dehors de la zone dangereuse.

13. Après avoir monté un nouveau disque à tronçonner, faire tourner le produit à sa vitesse maximale sans rien découper pendant 1 minute environ.

5.2.2 Mise en place du carter de protection**AVERTISSEMENT**

Risque de blessures. Tout contact avec le disque à tronçonner, des particules volantes ou des étincelles peut blesser des personnes.

- ▶ Ajuster le carter de protection de sorte que le sens de projection des particules et étincelles entraînées par l'action abrasive du disque s'éloigne de l'opérateur et du produit.
- ▶ Tenir le carter de protection par la poignée prévue à cet effet et tourner le carter de protection dans la position voulue.



Veiller à ce que l'orifice du protège-lame ne pointe pas en direction de l'utilisateur.

5.2.3 Montage de la pompe à eau (accessoire) 

1. Mettre le produit sur arrêt.
2. Desserrer les trois vis de fixation du couvercle de pompe, les enlever et les garder avec le couvercle de pompe.



Si le produit est utilisé sans pompe à eau, le couvercle de pompe doit être monté.

3. Mettre en place la pompe à eau et orienter en tournant légèrement le disque à tronçonner, les engrenages de la pompe à eau et la cloche de couplage afin que les dents soient en prise.
 - ▶ La position est codée de sorte à éviter tout montage erroné.
4. Installer les trois vis de fixation et les serrer à fond.
 - ▶ **Couple de serrage** : 8 Nm
5. Raccorder le flexible de la pompe au raccord de la tronçonneuse.
6. Enlever la protection anti-poussière de l'extrémité du tuyau de raccordement d'eau.
7. Vérifier que la pression de l'eau dans la conduite d'eau ne dépasse pas 6 bar.
 - ▶ Le cas échéant, réduire la pression d'eau.
8. Raccorder la pompe à eau à la conduite d'eau ou suspendre le flexible d'aspiration p. ex. dans un récipient avec de l'eau.



Si la pompe à eau n'est pas raccordée à une arrivée d'eau, monter la protection anti-poussière sur l'extrémité du tuyau de raccordement d'eau.

5.2.4 Démontage de la pompe à eau (accessoire)

1. Mettre le produit sur arrêt.
2. Débrancher l'alimentation en eau de la pompe à eau.
3. Mettre la protection anti-poussière en place sur l'extrémité du tuyau de raccordement d'eau.
4. Débrancher le raccordement entre la pompe et le produit.
5. Desserrer les trois vis de fixation sur la pompe et démonter la pompe.
6. Poser le capot de la pompe.
7. Visser les 3 vis de fixation et les serrer à fond.
 - ▶ **Couple de serrage** : 4 Nm



5.2.5 Montage du jeu de roues (accessoire)

1. Desserrer les deux vis de fixation sur la tôle de protection.
2. Fixer la plaque de base avec les deux vis.
3. Fixer les roues et les rondelles sur les deux côtés de la plaque de base au moyen des vis.

6 Utilisation

6.1 Démarrage du moteur

DANGER

Risque d'étouffement. Le monoxyde de carbone, les hydrocarbures imbrûlés et le benzène dans les gaz d'échappement peuvent provoquer une asphyxie.

- ▶ Ne jamais travailler dans des locaux, tranchées ou excavations fermés et veiller à une bonne ventilation.

AVERTISSEMENT

Risque de brûlures. Lorsque le moteur tourne, le système d'échappement devient extrêmement chaud. Même après l'arrêt du moteur, il reste encore longtemps chaud.

- ▶ Porter des gants de protection et éviter de toucher l'échappement.
- ▶ Ne jamais déposer le produit brûlant sur un matériau inflammable.

AVERTISSEMENT

Risque de blessures. Un échappement endommagé augmente le volume sonore au-delà de la limite admissible et augmente le risque de souffrir de troubles auditifs.

- ▶ Ne jamais utiliser le produit si l'échappement est endommagé et/ou s'il a été modifié ou s'il est manquant.

AVERTISSEMENT

Risque de blessure en cas d'utilisation sans cache monté de la pompe à eau Tout contact avec le raccord de la pompe à eau en cours de fonctionnement entraîne des blessures.

- ▶ Avant de commencer à travailler, s'assurer que le cache de la pompe à eau est correctement monté.

AVERTISSEMENT

Risque de blessures dues à des substances et des gaz inflammables. Des brûlures et la mort peuvent en résulter.

- ▶ Ne pas utiliser le produit en présence de substances et de gaz inflammables.
- ▶ Veiller à une bonne ventilation.

ATTENTION

Risque de blessures entraînées par coincement des doigts ou risque de brûlures si la pompe à eau est montée. Ne pas toucher le carter de pompe pour écarter tout risque de brûlures.

- ▶ Saisir la poignée avant uniquement sur le bord supérieur et le côté gauche.

1. Appuyer sur la poignée d'accélération contrôlée et la maintenir enfoncée.
2. Appuyer sur la manette de commande des gaz et la maintenir enfoncée.
3. Pousser l'interrupteur Marche / Arrêt sur la position « Marche ».
4. Relâcher la main de la poignée d'accélération contrôlée et de la manette de commande des gaz.
 - ▶ La position d'admission réduite est activée.
5. Uniquement pour le démarrage à froid, actionner 2 à 3 fois la pompe de démarreur jusqu'à ce que le bouton de pompe soit complètement rempli de carburant.
6. Vérifier que le disque à tronçonner tourne librement et sans entrave.
7. Poser le pied gauche sur le repose-pieds.
8. De la main droite, tirer lentement le démarreur à câble jusqu'à ce qu'il résiste.
9. Tirer ensuite sur le démarreur à câble avec force.
10. Répéter cette opération jusqu'à ce que le moteur démarre.
11. Dès que le moteur tourne, appuyer brièvement sur la manette de commande des gaz.
 - ▶ Ceci désactive l'admission réduite et le moteur tourne à vide.



6.2 Contrôles après démarrage du moteur

1. Vérifier si le disque à tronçonner reste immobile en marche à vide et si, après quelques instants de plein gaz, le disque à tronçonner s'immobilise complètement en marche à vide.
 - ▶ Si le disque à tronçonner tourne en marche à vide, réduire la vitesse de rotation à vide. Si ce n'est pas possible, confier le produit au S.A.V. **Hilti**.
2. Contrôler le bon fonctionnement de l'interrupteur Marche / Arrêt. Mettre l'interrupteur Marche / Arrêt en position **Arrêt**.
3. Si le moteur ne s'éteint pas, appuyer sur le bouton de pompe (pompe de démarreur). Si cela n'aide pas, retirer la cosse de bougie d'allumage et confier le produit au S.A.V. **Hilti**.

6.3 Arrêt du moteur



AVERTISSEMENT

Risque de blessures. Un disque à tronçonner en rotation peut rompre et/ou projeter violemment et de manière incontrôlée du matériel.

▶ Attendre que le disque à tronçonner soit complètement immobile avant de déposer la tronçonneuse.

1. Relâcher la manette de commande des gaz.
2. Mettre l'interrupteur Marche / Arrêt en position « Arrêt ».
 - ▶ Le moteur s'arrête.

6.4 Technique de tronçonnage

En cas de pénétration de la tronçonneuse à essence dans la zone spécifiée, il y a un risque de contrecoup. Un contrecoup est la conséquence d'une mauvaise utilisation ou d'une utilisation incorrecte du produit. Respecter les consignes de sécurité et les et les conseils d'utilisation décrits ci-après pour éviter tout déclenchement d'un contrecoup.

- ▶ Éviter toute pénétration de l'outil amovible dans le support au niveau de la zone spécifiée.
- ▶ Avant d'entailler, amener la tronçonneuse à essence à plein régime.
- ▶ En appuyant sur le produit, enfoncer lentement l'outil amovible dans le matériau.
- ▶ Avancer modérément l'outil, de manière adaptée au matériau à travailler.



Une baisse des performances de travail peut provenir de l'usure des segments diamantés. Ceux-ci peuvent à nouveau être affûtés en opérant des coupes dans un matériel abrasif (surface d'affûtage **Hilti** ou un grès argilo-calcaire abrasif).

- ▶ Guider la tronçonneuse à essence de manière uniforme et sans exercer de pression latérale sur le disque à tronçonner.
- ▶ Toujours tenir la Tronçonneuse à essence des deux mains par les poignées prévues à cet effet. Veiller à ce que les poignées soient toujours sèches, propres et exemptes de traces de graisse et d'huile.
- ▶ S'assurer qu'aucune personne ne se tient dans l'espace de travail et en particulier dans la zone qui constitue le prolongement du trait de coupe. Veiller à ce que toute tierce personne se tienne à une distance d'au moins 15 m environ de l'espace de travail.

6.5 Évitement de tout blocage

Si le disque à tronçonner se bloque, le produit a tendance à s'écarter de l'utilisateur.



ATTENTION

Risque de rupture ou danger engendré par contrecoup. En cas de surcharge du disque à tronçonner, il y a tendance au voilage. Le coincement du disque à tronçonner lors de la coupe augmente la probabilité de contrecoup ou de rupture du disque à tronçonner.

- ▶ Veiller à ce que le disque à tronçonner ne se coince pas et éviter d'exercer une pression excessive lors de la coupe.
- ▶ Ne pas essayer d'atteindre d'emblée une profondeur de coupe excessive.
- ▶ Dans la mesure du possible, tronçonner les pièces travaillées épaisses en plusieurs coupes.
- ▶ Ne découper toujours qu'une seule pièce à travailler à la fois.
- ▶ Caler les plaques ou les grandes pièces à travailler de sorte que l'entaille produite reste ouverte pendant et après l'opération de tronçonnage.



6.6 Évitement des rebonds

Le contrecoup est une réaction soudaine qui se produit lorsqu'un disque à tronçonner en rotation reste accroché ou se bloque. Dans le cas d'un blocage ou d'un accrochage, l'outil en rotation s'arrête brusquement. Au niveau de l'emplacement du blocage, le produit accélère alors dans le sens opposé au sens de rotation de l'outil amovible.

Si, p. ex. un disque à tronçonner se coince ou se bloque dans la pièce à usiner, le rebord du disque à tronçonner qui pénètre dans la pièce à usiner peut s'accrocher et entraîner une cassure du disque à tronçonner ou un contrecoup. Le disque à tronçonner se déplace alors en direction de l'utilisateur ou s'en écarte. Plus le disque à tronçonner se coince vers l'avant, plus la probabilité de contrecoup est importante. Les disques à tronçonner peuvent alors également se casser.

Un contrecoup est la conséquence d'une mauvaise utilisation ou d'une utilisation incorrecte du produit. Il peut être évité en prenant les mesures de précaution adaptées telles que décrites ci-dessous. Lors de coupes en direction du sol, en cas de disque à tronçonner coincé, le produit peut sauter de manière incontrôlée vers l'avant. En cas de coupes verticales, p. ex. dans un mur, le produit peut sauter de manière incontrôlée vers le haut en cas de disque à tronçonner coincé.

- ▶ Toujours appliquer le disque à tronçonner par en haut sur le produit et avec le levier d'accélération enfoncé à fond.
 - ▶ Le contact du disque avec la pièce travaillée ne doit se faire qu'en un seul point sous l'axe de rotation.
- ▶ Faire extrêmement attention en glissant le disque dans un trait de coupe existant.

7 Nettoyage et entretien



AVERTISSEMENT

Risque de blessures. Risque de blessures et de brûlures au contact avec le disque à tronçonner en rotation ou de composants de la machine très chauds.

- ▶ Toujours arrêter le moteur avant toute opération de maintenance, réparation, nettoyage ou entretien et attendre que le produit ait refroidi.

7.1 Tableau d'entretien

1 - Avant le début du travail | 2 - Semestriellement | 3 - Au besoin

	1	2	3
Resserrer les écrous et vis accessibles de l'extérieur.	x	x	x
Vérifier le parfait état, l'intégralité et l'absence de fuites. → Si nécessaire, réparer	x		
Vérifier l'absence de contamination. → Si nécessaire, réparer	x		
Vérifier le bon fonctionnement des éléments de commande. → Si nécessaire, réparer	x		
Vérifier le parfait état du disque à tronçonner. → Si nécessaire, remplacer	x		
Contrôler la propreté du filtre à combustible. → Si nécessaire, remplacer		x	x
Remplacer le filtre à air, si le produit ne se met pas en marche ou que la puissance du moteur diminue de manière sensible.			x
Nettoyer les bougies d'allumage ou les remplacer, si le produit ne se met pas en marche ou démarre seulement difficilement.			x
Réajuster la vitesse de rotation à vide, si le disque à tronçonner ne s'immobilise pas en marche à vide.			x
Si la courroie dérape lors de la mise en charge du disque à tronçonner, faire réparer le produit par le S.A.V. Hilti .			x



7.2 Nettoyage ou remplacement du filtre à air **10**

ATTENTION

Risque d'endommagement. Toute infiltration de poussière risque d'endommager le produit.

- ▶ Ne jamais travailler avec un filtre à air endommagé.
- ▶ Lors du remplacement du filtre à air, le produit doit être debout et ne pas reposer sur le côté. Veiller à ce qu'aucune poussière ne parvienne sur l'élément filtrant se trouvant sous le filtre à air.



Remplacer le filtre à air en cas de nette diminution de la puissance du moteur et un comportement plus difficile au démarrage.

1. Desserrer les vis de fixation du couvercle du filtre à air et enlever celui-ci.
2. Dégager soigneusement le filtre à air de toute poussière adhérente et enlever la poussière de la chambre de filtration (à l'aide d'un aspirateur).
3. Retirer le filtre à air.
4. Mettre le nouveau filtre à air en place.
5. Replacer le couvercle du filtre à air et resserrer les vis de fixation.

7.3 Remplacement du câble de démarrage sectionné **11**

ATTENTION

Risque d'endommagement. Un câble de démarrage trop court risque d'endommager le carter.

- ▶ Ne jamais poursuivre l'utilisation avec un câble de démarrage déchiré et le remplacer aussitôt.

1. Desserrer les quatre vis de fixation et enlever le bloc démarreur.
2. Desserrer les deux vis de fixation du recouvrement et enlever le recouvrement.
3. Sur la bobine d'enroulement de câble et la poignée de démarrage, enlever les restes de câble.
4. Faire un nœud serré à l'extrémité du nouveau câble de démarrage et introduire l'extrémité libre du câble par le haut dans la bobine d'enroulement.
5. Introduire l'extrémité libre du câble par le bas dans l'orifice du boîtier de démarrage puis dans la base de la poignée de démarrage et faire un nœud bien serré également à l'extrémité du câble.
6. Comme le montre la figure, sortir le câble de démarrage du boîtier et l'introduire dans la fente de la bobine d'enroulement de câble.
7. Bien tenir l'extrémité du câble au-dessus de la fente de la bobine et faire tourner la bobine sur elle-même dans le sens des aiguilles d'une montre jusqu'en butée.
8. Tourner la bobine d'enroulement à partir du point de butée d'au moins ½ à 1 ½ tour maximum en arrière jusqu'à ce que la fente de la bobine coïncide avec l'orifice dans le boîtier de démarrage.
9. Tenir fermement la bobine d'enroulement et tirer l'extrémité libre du câble en direction de la poignée de démarrage pour réduire sa longueur dans le boîtier.
10. Tendre le câble et lâcher la bobine afin que le câble de démarrage puisse s'enrouler tout seul.
11. Tirer sur le câble de démarrage jusqu'en butée pour qu'il sorte et vérifier à l'aide de la main que la bobine peut encore exécuter au moins une ½ rotation dans le sens des aiguilles d'une montre. Si tel n'est pas le cas, il convient d'appliquer un peu moins de tension au ressort en tournant d'un tour dans le sens inverse des aiguilles d'une montre.
12. Monter le recouvrement et le fixer avec les deux vis de fixation.
13. Mettre le bloc démarreur en appliquant prudemment une légère pression vers le bas. En tirant sur le câble de démarrage, l'embrayage s'enclenche et le bloc démarreur se met en place complètement.
14. Fixer le bloc démarreur avec les quatre vis de fixation.

7.4 Remplacement du filtre carburant **12**



En faisant le plein de carburant, veiller à ce qu'aucune saleté n'entre dans le réservoir à carburant.

1. Ouvrir le réservoir à carburant.
2. Retirer le filtre carburant du réservoir à carburant.
3. Contrôler le filtre carburant.
 - ▶ Remplacer le filtre carburant s'il est trop souillé.



4. Pousser la pince sur le flexible en arrière et retirer le filtre carburant encrassé.
5. Mettre en place un nouveau filtre carburant et le fixer avec la pince sur le flexible.
6. Réintroduire le filtre dans le réservoir.
7. Fermer le réservoir à carburant.

7.5 Nettoyage de la bougie d'allumage, réglage de l'écartement des électrodes ou remplacement de la bougie d'allumage

ATTENTION

Risque de blessures. Immédiatement après avoir utilisé le produit, la bougie d'allumage et les pièces du moteur peuvent être très chaudes.

- ▶ Laisser le produit refroidir avant de procéder à des travaux d'entretien et de maintenance.

1. Retirer la cosse de bougie en exerçant un léger mouvement de rotation.
2. Utiliser la clé à bougie pour dévisser la bougie hors du cylindre.
3. Si nécessaire, nettoyer l'électrode à l'aide d'une brosse métallique à poils souples.
4. Vérifier l'écartement des électrodes à l'aide d'une jauge d'épaisseur à lames et, si nécessaire, ajuster l'écartement à la valeur requise de 0,7 mm.
5. Enficher la bougie dans la cosse et tenir le filetage de la bougie contre le cylindre.
6. Pousser l'interrupteur Marche / Arrêt sur la position « Marche ».

AVERTISSEMENT

Risque de blessures. Il y a risque de choc électrique au contact des électrodes.

- ▶ Ne pas toucher les contacts de l'électrode de la bougie d'allumage.
7. Tirer sur le démarreur à câble.
 - ▶ Une étincelle d'allumage doit alors être nettement visible.
 8. Utiliser une clé à bougie pour visser la bougie dans le cylindre (couple de serrage : 12 Nm).
 9. Coiffer la bougie d'allumage de sa cosse.

7.6 Réglage du carburateur

Le carburateur de ce produit a été réglé de manière optimale à la livraison et plombé (gicleurs H et L). Sur ce carburateur, la vitesse à vide (gicleur T) peut être réglée par l'utilisateur. Tous les autres travaux de réglage doivent être effectués par le S.A.V. **Hilti**.

Toute manipulation incorrecte du dispositif de réglage du carburateur risque d'endommager le moteur.

- ▶ Nettoyer le filtre à air. → Page 38
- ▶ Amener le produit à la température de service.
- ▶ Utiliser un tournevis à fente approprié (taille 4 mm/ $\frac{5}{32}$ ") et tourner la vis de réglage en douceur sur la plage de réglage admissible.
- ▶ Régler le gicleur de ralenti (T) de sorte que le produit tourne régulièrement à vide et que le disque à tronçonner soit complètement à l'arrêt.

7.7 Nettoyage des buses à eau

1. Desserrer le bouchon de nettoyage à vis sur le coude à eau.
2. Nettoyer les buses à eau avec un fil.
3. Mettre en place de bouchon de nettoyage à vis.

7.8 Entretien du produit

Pour une utilisation en toute sécurité, utiliser uniquement des pièces de rechange et consommables d'origine. Vous trouverez les pièces de rechange, consommables et accessoires autorisés par **Hilti** convenant pour votre produit dans le centre **Hilti Store** ou sous : www.hilti.group

- ▶ Tenir le produit, en particulier les surfaces de préhension, sec, propre et exempt d'huile et de graisse.
- ▶ Ne pas utiliser de nettoyeurs à base de silicone.



- ▶ Nettoyer régulièrement l'extérieur de l'appareil avec un chiffon légèrement humide ou avec une brosse sèche. Pour le nettoyage, ne pas utiliser d'appareil diffuseur, d'appareil à jet de vapeur ou d'eau courante.
- ▶ Éviter toute pénétration de corps étrangers à l'intérieur du produit.

7.9 Entretien

1. Vérifier régulièrement toutes les pièces extérieures du produit et des accessoires pour voir si elles ne sont pas abîmées et s'assurer que tous les organes de commande fonctionnent correctement.
2. Ne pas utiliser le produit si des pièces sont abîmées ou si des organes de commande ne fonctionnent pas parfaitement. Faire réparer le produit par le S.A.V. Hilti.

7.10 Contrôle après des travaux de nettoyage et d'entretien

- ▶ Après des travaux de nettoyage et d'entretien, vérifier si tous les équipements de protection sont bien en place et fonctionnent parfaitement.

8 Transport et entreposage

Consignes générales pour le transport

- ▶ Toujours arrêter le produit avant de le transporter.
- ▶ Enlever le disque à tronçonner du produit après utilisation. Le disque à tronçonner risque d'être endommagé si l'appareil est transporté avec le disque à tronçonner monté.
- ▶ Manier les disques à tronçonner avec prudence et les conserver conformément aux instructions du fabricant.
- ▶ Le produit doit toujours être debout et jamais posé sur le côté pour l'entreposage et le transport.
- ▶ Le produit ne doit pas être transporté à l'aide d'une grue ou d'un palan.
- ▶ Conserver les produits non utilisés en toute sécurité. Tous les produits non utilisés doivent être rangés dans un endroit sec, en hauteur ou fermé à clé, hors de portée des enfants.
- ▶ Lorsque le produit est déposé, veiller à ce qu'il soit posé de manière sûre.
- ▶ Après son utilisation, laisser d'abord le produit refroidir avant de l'emballer ou de le recouvrir.
- ▶ Entreposer l'essence et l'huile dans des récipients prévus à cet effet, dans un local bien ventilé.

8.1 Transport du produit dans un véhicule

AVERTISSEMENT

Danger d'incendie et d'explosion. Si le produit bascule lors du transport, du carburant risque de s'écouler du réservoir.

- ▶ Vider le réservoir à carburant du produit avant de l'emballer et de l'envoyer par service de messagerie express.
- ▶ Transporter le produit dans la mesure du possible dans son emballage d'origine.

AVERTISSEMENT

Risque d'incendie. Les composants de la machine très chauds risquent d'enflammer le matériel environnant.

- ▶ Laisser le produit complètement refroidir avant de l'emballer ou de le charger dans un véhicule.

1. Démontez le disque à tronçonner.
2. Immobiliser fermement le produit pour empêcher son basculement, son endommagement ou encore une fuite de carburant.

8.2 Entreposage du mélange de carburant

ATTENTION

Risque de blessures. La pression pouvant augmenter spontanément dans le récipient de carburant, il y a un risque de projection de carburant à l'ouverture du récipient.

- ▶ Pour évacuer lentement la pression, toujours ouvrir la fermeture du réservoir de carburant avec précaution.
- ▶ Entreposer le carburant dans un local sec et bien ventilé.

1. Pour le mélange de carburant, préparer seulement une quantité correspondant à quelques jours de consommation.



2. Nettoyer de temps à autre le récipient de carburant.

9 Aide au dépannage

En cas de défaillances non énumérées dans ce tableau ou auxquelles il n'est pas possible de remédier sans aide, contacter le S.A.V. Hilti.

Défaillance	Causes possibles	Solution
Le disque à tronçonner ralentit lors de la coupe ou reste bloqué.	Pression de coupe trop élevée (disque à tronçonner coince dans la coupe) ou la pression est exercée par le côté sur le disque à tronçonner.	► Réduire la pression de coupe et guider le produit droit.
	Le disque est incorrectement monté ou non serré à fond.	► Vérifier son montage et le couple de serrage.
	Sens de rotation erroné.	► Monter le disque à tronçonner. → Page 33
	Partie avant du bras de sciage non fixée.	► Faire réparer le produit par le S.A.V. Hilti.
Fortes vibrations, coupe déviée.	Le disque est incorrectement monté ou non serré à fond.	► Vérifier son montage et le couple de serrage.
	Disque endommagé (non conforme aux spécifications, fissures, segments manquants, disque voilé, surchauffé, déformé, etc.).	► Remplacer le disque à tronçonner.
	Support de centrage mal monté.	► Vérifier si la taille du trou central du disque à tronçonner coïncide avec l'embout de centrage de la douille de centrage.
Le disque à tronçonner diamanté s'emballe et se coince le cas échéant.	Disque à tronçonner diamanté inadapté	► Utiliser des disques à tronçonner Hilti.
	Flasque pour disque à tronçonner diamanté inadapté	► Avec des disques à tronçonner de marques concurrentes, utiliser le flasque pour disques à tronçonner abrasifs.
La tronçonneuse ne démarre pas ou difficilement.	Réservoir à carburant vide (aucun carburant ne parvient au carburateur).	► Remplir le réservoir à carburant. → Page 32
	Filtre à air encrassé.	► Remplacer le filtre à air.
	Moteur noyé (bougie d'allumage humide).	► Sécher la bougie d'allumage et la chambre du cylindre (démonter la bougie → Page 39).
	Mélange de carburants incorrect.	► Vider et rincer le réservoir ainsi que les conduites de carburant. ► Remplir le réservoir à carburant avec le carburant qui convient.
	Présence d'air dans la conduite de carburant (aucun carburant ne parvient au carburateur).	► Purger la conduite de carburant en actionnant plusieurs fois la pompe d'aspiration à carburant.
	Encrassement du filtre carburant (pas ou pas assez de carburant au niveau du carburateur).	► Nettoyer le réservoir à carburant et remplacer le filtre carburant.



Défaillance	Causes possibles	Solution
La tronçonneuse ne démarre pas ou difficilement.	Aucune ou seulement une faible étincelle produite par la bougie (sur bougie démontée).	<ul style="list-style-type: none"> ▶ Nettoyer les traces de calcination sur la bougie d'allumage. ▶ Contrôler l'écartement des électrodes et l'ajuster. ▶ Remplacer la bougie d'allumage. ▶ Vérifier la bobine d'allumage, le câble, les fiches de raccordement et les commutateurs, remplacer, le cas échéant, la pièce défectueuse.
	Compression trop faible.	▶ Vérifier la compression du moteur et, si nécessaire, remplacer les pièces usées (segments de piston, pistons, cylindre, etc.).
	Température ambiante trop basse.	▶ Attendre que la tronçonneuse atteigne la température ambiante et reprendre le processus de démarrage.
	Grille pare-étincelles ou sortie d'échappement encrassée.	▶ Nettoyer la grille pare-étincelles ou la sortie d'échappement.
Puissance de moteur/de tronçonnage trop faible	Filtre à air encrassé.	▶ Remplacer le filtre à air.
	Aucune ou seulement une faible étincelle produite par la bougie (sur bougie démontée).	<ul style="list-style-type: none"> ▶ Nettoyer les traces de calcination sur la bougie d'allumage. ▶ Contrôler l'écartement des électrodes et l'ajuster. ▶ Remplacer la bougie d'allumage. ▶ Vérifier la bobine d'allumage, le câble, les fiches de raccordement et les commutateurs, remplacer, le cas échéant, la pièce défectueuse.
	Mélange de carburants incorrect.	<ul style="list-style-type: none"> ▶ Vider et rincer le réservoir ainsi que les conduites de carburant. ▶ Remplir le réservoir à carburant avec le carburant qui convient.
	Spécifications de disque à tronçonner non appropriées pour le matériau à tronçonner.	▶ Remplacer le disque à tronçonner ou demander conseil auprès du S.A.V. Hilti .
	La courroie de transmission ou le disque à tronçonner dérape.	<ul style="list-style-type: none"> ▶ Vérifier le serrage des disques. ▶ Faire réparer le produit par le S.A.V. Hilti.
	Compression trop faible.	▶ Vérifier la compression du moteur et, si nécessaire, remplacer les pièces usées (segments de piston, pistons, cylindre, etc.).
	Travaux réalisés à plus de 1500 m au-dessus du niveau de la mer.	▶ Faire régler le carburateur par le S.A.V. Hilti .
	Mélange non optimal (mélange carburant / air).	▶ Faire régler le carburateur par le S.A.V. Hilti .
Le disque à tronçonner ne s'arrête pas en marche à vide.	Vitesse de rotation à vide trop élevée.	▶ Contrôler la vitesse de rotation à vide et, le cas échéant, la régler.



Défaillance	Causes possibles	Solution
Le disque à tronçonner ne s'arrête pas en marche à vide.	Bloquer en position d'admission réduite.	► Débloquer la position d'admission réduite.
	Embrayage centrifuge défectueux.	► Remplacer l'embrayage centrifuge.
Le disque à tronçonner ne tourne pas.	Tension de courroie insuffisante ou rupture de la courroie.	► Faire réparer le produit par le S.A.V. Hilti .
Le bloc démarreur ne fonctionne pas.	Griffes d'accouplement pas en prise.	► Nettoyer les griffes d'accouplement de sorte qu'elles soient à nouveau mobiles.
Après avoir relâché la poignée d'accélération contrôlée, la lame circulaire tourne pendant plus de 15 secondes.	Le collier de frein est usé.	► Faire réparer le produit par le S.A.V. Hilti .
	Le câble Bowden de frein est grippé.	► Faire réparer le produit par le S.A.V. Hilti .

10 Recyclage

Les produits **Hilti** sont fabriqués pour une grande partie en matériaux recyclables. Le recyclage présuppose un tri adéquat des matériaux. **Hilti** reprend les appareils usagés dans de nombreux pays en vue de leur recyclage. Consulter le service clients **Hilti** ou un conseiller commercial.

Boues de forage

En raison de la protection de l'environnement, les boues de forage ne doivent pas être versées dans les cours d'eau ou les canalisations sans prétraitement approprié.

- Veuillez vous renseigner auprès de votre administration locale sur les directives en vigueur en la matière.

Nous recommandons le prétraitement suivant :

- Collecter les boues de forage (par exemple au moyen d'un aspirateur de déchets liquides).
- Faire décanter les boues de forage et éliminer la partie sèche sur une décharge industrielle (le procédé peut être accéléré par des agents floculants).
- Avant de déverser l'eau résiduelle (basique, pH > 7) dans les canalisations, il convient de la neutraliser en ajoutant un neutralisant acide ou en la diluant avec beaucoup d'eau.

11 Garantie constructeur

- En cas de questions sur les conditions de garantie, veuillez vous adresser à votre partenaire **Hilti** local.

11.1 Déclaration fédérale de garantie de contrôle des émissions

Vos droits et obligations relatifs à la garantie

L'agence américaine pour la protection de l'environnement (U.S. Environmental Protection Agency, EPA), le Conseil californien des ressources atmosphériques (California Air Resources Board, CARB) et **Hilti** se font un plaisir de vous présenter la garantie relative au système de contrôle des émissions qui s'applique à votre petit moteur pour service hors-route. Aux États-Unis et au Canada, les petits moteurs pour service hors-route doivent être conçus, fabriqués et équipés de manière à répondre à des normes fédérales strictes en matière de pollution de l'air. Les composants du moteur ne doivent comporter aucun défaut matériel ni de fabrication qui se traduirait par le non-respect des normes américaines de l'EPA pour les deux premières années d'utilisation du moteur à compter de la date de vente au dernier acheteur s'en étant porté acquéreur.

Hilti est tenu de garantir le système de contrôle des émissions de votre petit moteur pour service hors-route pour les périodes de temps citées plus haut, dans la mesure où votre unité n'a pas subi d'abus dans l'emploi, de négligences ou d'erreurs dans la maintenance. Votre système de contrôle des émissions comprend les composants tels que le carburateur et le système d'allumage. Si une condition de prise en charge par la garantie existe, **Hilti** réparera gratuitement votre petit moteur pour service hors-route. Les dépenses couvertes par la garantie comprennent le diagnostic, les pièces et la main-d'œuvre.

Couverture de garantie fabricant

Tous les petits moteurs pour service hors-route de 2001 et des années qui suivent sont garantis conformes aux exigences EPA et CARB applicables pour deux ans. Si un composant (voir énumération plus haut) de votre moteur impliqué dans des émissions atmosphériques est défectueux, la société **Hilti** s'engage à le réparer ou à le remplacer.



Responsabilités du propriétaire en ce qui concerne la garantie

En tant que propriétaire d'un petit moteur pour service hors-route, vous êtes tenu de réaliser les opérations de maintenance telles qu'elles sont définies par **Hilti** dans le manuel d'utilisation correspondant. **Hilti** recommande que vous conserviez toutes les quittances relatives à la maintenance du petit moteur pour service hors-route, **Hilti** ne pouvant toutefois pas se soustraire à son obligation de garantie pour la seule raison que vous soyez dans l'impossibilité de produire les reçus ou en raison de votre manquement à réaliser toutes les opérations de maintenance prévues. Toute pièce de remplacement ou tout service d'une valeur équivalente en performance et en durabilité peut être mis en œuvre pour des opérations de maintenance ou de réparation non couvertes par la garantie, ceci n'ayant pas pour effet de réduire les obligations de garantie offertes par le fabricant du moteur. En tant que propriétaire d'un petit moteur pour service hors-route, sachez toutefois que **Hilti** peut vous refuser le bénéfice de la garantie si votre petit moteur pour service hors-route ou une partie de celui-ci subit une défaillance due à des abus dans l'emploi, des négligences, des erreurs dans la maintenance, des modifications non autorisées ou à l'utilisation de pièces qui n'ont pas été fabriquées ou approuvées par le fabricant des pièces d'origine. Vous êtes tenu de présenter votre petit moteur pour service hors-route à **Hilti** dès qu'apparaît un problème. Les réparations sous garantie devraient être réalisées en un temps raisonnable qui ne doit pas dépasser les 30 jours.

Couverture

Hilti garantit à l'acheteur final ainsi qu'à chaque acheteur consécutif que votre petit moteur pour service hors-route sera, au moment de sa vente, conçu et fabriqué avec les équipements nécessaires, et ce de manière à répondre à toutes les prescriptions applicables. Au premier acheteur et à tout acheteur consécutif, **Hilti** garantit que les pièces sous garantie se rapportant aux émissions atmosphériques ne comportent aucun défaut matériel ni de fabrication qui se traduirait pour le moteur par le non-respect des prescriptions applicables, et ce durant une période de deux ans. Une période de garantie court dès la date d'acquisition du petit moteur pour service hors-route par le premier acheteur. Si une pièce de votre moteur intervenant dans les émissions est défectueuse, **Hilti** s'engage à la remplacer sans que son propriétaire n'encoure de frais. **Hilti** confie la réparation des défauts sous garantie à des centres de service et de réparation agréés par **Hilti**. Toute prise en charge par un centre de service et de réparation agréé par **Hilti** sera gratuite pour le propriétaire dans la mesure où il est établi que la pièce défectueuse est sous garantie. Toute pièce approuvée par le fabricant ou pièce de remplacement équivalente peut être utilisée pour toute maintenance couverte par la garantie ou pour des réparations de pièces intervenant dans les émissions, toutes ces pièces devant être fournies gratuitement au propriétaire si elles sont couvertes par la garantie. **Hilti** assume la responsabilité pour des dommages causés sur d'autres composants du moteur en raison de la défaillance d'une pièce encore couverte par la garantie. La liste des pièces couvertes par la garantie du Conseil californien des ressources atmosphériques définit les pièces sous garantie concernées par les émissions atmosphériques. Il s'agit des pièces suivantes : groupe carburateur, jeu de bobines, rotor, bougie d'allumage, filtre air, filtre carburant, tubulure d'admission et joints d'étanchéité.

Exigences relatives à la maintenance

Le propriétaire est responsable de l'exécution des opérations de maintenance nécessaires telles qu'elles sont définies par **Hilti** dans le manuel d'utilisation correspondant.

Restrictions

La garantie relative au système de contrôle des émissions ne joue pas dans les cas suivants : a) réparation ou remplacement nécessaire en raison d'abus dans l'emploi, de négligences ou d'erreurs dans la maintenance ; b) réparations réalisées incorrectement ou remplacements non conformes aux spécifications **Hilti** altérant le fonctionnement et/ou la durabilité, ainsi que transformations et modifications non recommandées ou non approuvées par **Hilti** par écrit ; c) remplacement de pièces et autres services et ajustements qui s'imposent pour la maintenance nécessaire au moment et suite à la première intervention de remplacement. Sauf indication contraire donnée plus haut, les conditions relatives à la garantie telles qu'elles sont définies plus bas en section 12, sont applicables.

11.2 Garantie constructeur des appareils

Hilti garantit la prise en charge de la réparation gratuite ou du remplacement des pièces présentant un défaut matériel et de fabrication pendant une période de 20 ans à compter de la date de vente d'origine. Cette garantie s'applique à condition que l'appareil soit utilisé et manipulé, nettoyé et entretenu correctement, en conformité avec le mode d'emploi **Hilti**, et que l'intégrité technique soit préservée. C'est-à-dire sous réserve de l'utilisation exclusive de consommables, accessoires et pièces de rechange d'origine **Hilti** dans l'outil.

Cette garantie se limite strictement à la réparation gratuite ou au remplacement gracieux des pièces défectueuses pendant toute la durée de service de l'appareil. Elle ne couvre pas les pièces soumises à une usure normale.

Toutes autres revendications sont exclues pour autant que des dispositions légales nationales impératives ne s'y opposent pas. En particulier, Hilti ne saurait être tenu pour responsable de toutes détériorations, pertes ou dépenses directes, indirectes, accidentelles ou consécutives, en rapport



avec l'utilisation ou dues à une incapacité à utiliser l'appareil dans quelque but que ce soit. **exclut en particulier les garanties implicites concernant l'utilisation et l'aptitude dans un but bien précis.**

Pour une réparation ou un remplacement, veuillez contacter **Hilti** immédiatement après avoir découvert la défectuosité :

Aux États-Unis :

800.879.8000

Hilti Inc.

7250 Dallas Parkway, Suite 1000

Plano, TX 75024

CS.InboundUS@hilti.com

Au Canada:

800.343.4458

Hilti (Canada) Corporation

2360 Meadowpine Blvd

Mississauga, ON L5N 6S2

CanadaSalesSupport.English@hilti.com

CanadaSalesSupport.French@hilti.com

La présente garantie couvre toutes les obligations d'**Hilti** et annule et remplace toutes les déclarations antérieures ou actuelles, de même que tous accords oraux ou écrits concernant la garantie.

Manual de instrucciones original

1 Información sobre la documentación

1.1 Acerca de esta documentación

- Lea detenidamente esta documentación antes de la puesta en servicio. Ello es imprescindible para un trabajo seguro y un manejo sin problemas.
- Respete las indicaciones de seguridad y las advertencias presentes en esta documentación y en el producto.
- Conserve este manual de instrucciones siempre junto con el producto y entregue el producto a otras personas siempre acompañado del manual.

1.2 Explicación de símbolos

1.2.1 Avisos

Las advertencias de seguridad advierten de peligros derivados del manejo del producto. Se utilizan las siguientes palabras de peligro:

 **PELIGRO**

PELIGRO !

- ▶ Término utilizado para un peligro inminente que puede ocasionar lesiones graves o incluso la muerte.

 **ADVERTENCIA**

ADVERTENCIA !

- ▶ Término utilizado para un posible peligro que puede ocasionar lesiones graves o incluso la muerte.

 **PRECAUCIÓN**

PRECAUCIÓN !

- ▶ Término utilizado para una posible situación peligrosa que puede ocasionar lesiones o daños materiales.

1.2.2 Símbolos en el manual de instrucciones

En este manual de instrucciones se utilizan los siguientes símbolos:



Consulte el manual de instrucciones



2314851

Español

45

	Indicaciones de uso y demás información de interés
	Manejo con materiales reutilizables
	No tirar las herramientas eléctricas y las baterías junto con los desperdicios domésticos

1.2.3 Símbolos en las figuras

En las figuras se utilizan los siguientes símbolos:

	Estos números hacen referencia a la figura correspondiente incluida al principio de este manual de instrucciones.
3	La numeración describe el orden de los pasos de trabajo en la imagen y puede ser diferente de los pasos descritos en el texto.
	En la figura Vista general se utilizan números de posición y los números de la leyenda están explicados en el apartado Vista general del producto .
	Preste especial atención a este símbolo cuando utilice el producto.

1.3 Símbolos de productos

1.3.1 Símbolos en el producto

En el producto se utilizan los siguientes símbolos:

	¡ADVERTENCIA! Lea y siga todas las indicaciones de seguridad que encontrará en el manual de instrucciones. El incumplimiento de estas instrucciones puede producir lesiones graves o mortales.
	Flecha de dirección de giro en la caperuza protectora
	Posición de parada del motor
	Posición de motor en marcha
	Bomba del arrancador
	Tornillo de ajuste de la boquilla de velocidad total
	Tornillo de ajuste de la boquilla de marcha en vacío
	Tornillo de ajuste para marcha en vacío
	Mezcla de combustible
	Dirección de giro de apertura de la tapa del depósito
/min	Velocidad
RPM	Revoluciones por minuto
	Díámetro
	Transferencia de datos inalámbrica

1.3.2 Señales de peligro

En el producto se utilizan los siguientes símbolos:

	Peligro general
--	-----------------



	Peligro por chispas
	Peligro por rebote
	Peligro de inhalación de vapores tóxicos y gases de escape
	Peligro por superficie caliente
	Velocidad de giro máxima del husillo

1.3.3 Señales prescriptivas

En el producto se utilizan los siguientes símbolos:

	Utilice protección para los oídos, gafas protectoras, mascarilla y casco de protección
	Utilizar guantes de protección
	Utilizar zapatos de protección

1.3.4 Símbolo de prohibición

En el producto se utilizan los siguientes símbolos:

	No utilice discos tronzadores dentados
	No utilice discos tronzadores dañados
	Prohibido fumar y manipular llamas

1.4 Información del producto

Los productos han sido diseñados para usuarios profesionales y solo personal autorizado y debidamente formado puede utilizarlos y llevar a cabo su mantenimiento y conservación. Este personal debe estar especialmente instruido en lo referente a los riesgos de uso. La utilización del producto y sus dispositivos auxiliares puede conllevar riesgos para el usuario en caso de manejarse de forma inadecuada por personal no cualificado o utilizarse para usos diferentes a los que están destinados.

La denominación del modelo y el número de serie están indicados en la placa de identificación.

- ▶ Escriba el número de serie en la siguiente tabla. Necesitará los datos del producto para realizar consultas a nuestros representantes o al Departamento de Servicio Técnico.

Datos del producto

Amoladora tronzadora	DSH 600-X
Generación	01
N.º de serie	

2 Seguridad

2.1 Instrucciones generales de seguridad

⚠ ADVERTENCIA Lea con atención todas las indicaciones de seguridad, instrucciones, ilustraciones y datos técnicos correspondientes a este producto. Si no se atiende a las indicaciones siguientes, pueden producirse lesiones de gravedad o incluso la muerte.

Conserve todas las instrucciones e indicaciones de seguridad para futuras consultas.

2.2 Seguridad de las personas

- ▶ Utilice la herramienta adecuada. No utilice la herramienta para fines no previstos, sino únicamente de forma reglamentaria y en perfecto estado técnico.



- ▶ No efectúe nunca manipulaciones o modificaciones en la herramienta.
- ▶ El producto solo debe ser utilizado por personas que estén familiarizadas con él, que hayan sido informadas acerca del uso seguro de la herramienta y que entiendan los riesgos que comporta. El producto no es apto para el uso por parte de niños.
- ▶ Permanezca atento, preste atención durante el trabajo y utilice el producto con prudencia. No utilice el producto si está cansado o si se encuentra bajo los efectos de drogas, alcohol o medicamentos. Un momento de descuido mientras se está utilizando el producto puede provocar lesiones graves.
- ▶ **Sujete bien la amoladora tronzadora con las dos manos y mantenga su cuerpo y brazos en una posición que le permita hacer frente a las fuerzas de rebote. Utilice siempre la empuñadura adicional, en caso de existir, para tener el máximo control sobre las fuerzas de rebote o los momentos de retroceso a plena marcha.** Tomar las medidas de precaución adecuadas contribuye a tener un control absoluto sobre las fuerzas de rebote y retroceso.
- ▶ No debe utilizar herramientas de corte distintas a las descritas en esta documentación.
- ▶ Cuando corte en húmedo, no utilice discos lijadores de fijación artificial, a menos que estén específicamente indicados para tal fin por el fabricante.
- ▶ No deben usarse casquillos reductores ni cepillos de rueda trenzados.
- ▶ El usuario y las personas que se encuentren en su proximidad durante el uso de la herramienta deberán llevar gafas protectoras homologadas según ANSI Z87.1, casco de protección, protección para los oídos, guantes de protección, zapatos de protección y una mascarilla adecuada.
- ▶ Antes de utilizar el producto o inmediatamente después de topar contra un obstáculo durante el trabajo, compruebe que la caperuza protectora no esté dañada. Las caperuzas protectoras dañadas deben sustituirse inmediatamente.
- ▶ Asegúrese de contar con medios de extinción de incendios, ya que la formación de chispas durante el trabajo, combinada con el uso de combustible, implica riesgo de incendio.
- ▶ El polvo procedente de materiales como pinturas con plomo, determinadas maderas, minerales y metal puede ser nocivo para la salud. El contacto con el polvo o su inhalación puede provocar reacciones alérgicas o asfixia al usuario o a personas que se encuentren en su entorno. Con objeto de reducir la formación de polvo al cortar, le recomendamos trabajar preferentemente con el proceso de corte en mojado. Procure una buena ventilación del lugar de trabajo. Respete la normativa vigente en su país concerniente al procesamiento de los materiales de trabajo.
- ▶ Sujete siempre la herramienta con ambas manos por las empuñaduras previstas. Mantenga las empuñaduras, limpias, secas y sin residuos de aceite o grasa.
- ▶ Si la velocidad aumenta involuntariamente, sitúe el interruptor de conexión/desconexión en la posición de desconexión. Póngase en contacto con el Servicio Técnico de **Hilti**.
- ▶ Si la herramienta funciona a plena velocidad y se suelta la empuñadura de aceleración de seguridad, el frenado provoca un pequeño par de vuelco de la herramienta hacia delante. Esté preparado y sujete la herramienta con las dos manos por las empuñaduras previstas.
- ▶ No utilice nunca la herramienta sin caperuza protectora. Coloque la caperuza protectora correctamente. Debe fijarla con seguridad a la herramienta y debe colocarla en la posición de mayor protección, de modo que quede descubierta en dirección al usuario la menor parte posible del disco tronizador. Procure que las chispas producidas durante la utilización de la herramienta no provoquen situaciones de peligro. La caperuza protectora sirve para proteger al usuario contra las piezas de discos tronzadores rotos y el contacto no intencionado con el disco tronizador, así como contra las chispas incontroladas.
- ▶ Evite tocar las piezas en movimiento, ya que existe riesgo de lesiones.
- ▶ Procure que la postura sea estable y manténgase siempre en equilibrio. De esta forma podrá controlar mejor el producto en caso de presentarse una situación inesperada. Evite adoptar posturas forzadas. Mientras utiliza el producto, sujételo de manera que el polvo, las chispas y los posibles fragmentos rotos de los útiles de inserción o de la herramienta no choquen con su cuerpo. No se apoye en el disco tronizador.
- ▶ Utilice ropa adecuada. No utilice vestimenta amplia ni joyas. Mantenga su pelo, vestimenta y guantes alejados de las piezas móviles. La vestimenta suelta, las joyas y el pelo largo se pueden enganchar con las piezas en movimiento.
- ▶ Si el producto o el disco tronizador caen al suelo, compruebe que no hayan sufrido daños. En caso necesario, cambie el disco tronizador.
- ▶ Desconecte el producto antes de ajustar la caperuza protectora o cambiar el disco tronizador.
- ▶ Para cambiar el útil, utilice también guantes de protección. El contacto con el disco tronizador puede producir cortes y quemaduras.
- ▶ Evite el contacto de la piel con el fango producido durante el corte en mojado.
- ▶ No deben separarse materiales que contengan asbesto.



- ▶ No se debe trabajar con materiales algo inflamables, como barras de magnesio o madera, ni deben separarse dichos materiales.
- ▶ Efectúe pausas durante el trabajo, así como ejercicios de relajación y estiramiento de los dedos para mejorar la circulación. Tras muchas horas de trabajo expuesto a las vibraciones, pueden surgir complicaciones en los vasos sanguíneos o en el sistema nervioso en dedos, manos o articulaciones de las manos.
- ▶ Antes de comenzar a trabajar, consulte con el ingeniero, arquitecto o persona responsable de la obra. Las grietas en paredes portantes u otras estructuras pueden influir en la estática, especialmente al seccionar hierros de armadura o elementos portadores.
- ▶ Durante el proceso de taladrado, proteja la zona opuesta al lugar donde se realiza el trabajo, ya que pueden desprenderse cascotes y causar heridas a otras personas.
- ▶ No haga funcionar el producto sin vigilancia.
- ▶ Desconecte el motor y espere hasta que el disco tronizador esté completamente parado antes de dejar el producto en el suelo o transportarlo a la siguiente posición de trabajo.
- ▶ Si se usa el producto sin bomba de agua externa, la cubierta de la bomba debe estar siempre instalada.
- ▶ Desconecte el producto después de su uso.
- ▶ Cuide el producto adecuadamente. Compruebe que no existan piezas rotas o deterioradas que puedan afectar al funcionamiento del producto. Encargue la reparación de las piezas deterioradas antes de usar el producto.
- ▶ Para reducir el riesgo de lesiones, utilice exclusivamente accesorios y herramientas originales Hilti.
- ▶ Encargue a un profesional la reparación del producto utilizando exclusivamente piezas de repuesto originales. Solo así se garantiza la seguridad del producto.
- ▶ Respete la normativa nacional en materia de protección laboral.

2.3 Seguridad de las personas

- ▶ Utilice la herramienta adecuada. No utilice la herramienta para fines no previstos, sino únicamente de forma reglamentaria y en perfecto estado técnico.
- ▶ No efectúe nunca manipulaciones o modificaciones en la herramienta.
- ▶ El producto solo debe ser utilizado por personas que estén familiarizadas con él, que hayan sido informadas acerca del uso seguro de la herramienta y que entiendan los riesgos que comporta. El producto no es apto para el uso por parte de niños.
- ▶ Permanezca atento, preste atención durante el trabajo y utilice el producto con prudencia. No utilice el producto si está cansado o si se encuentra bajo los efectos de drogas, alcohol o medicamentos. Un momento de descuido mientras se está utilizando el producto puede provocar lesiones graves.
- ▶ El usuario y las personas que se encuentren en su proximidad durante el uso de la herramienta deberán llevar gafas protectoras homologadas según ANSI Z87.1, casco de protección, protección para los oídos, guantes de protección, zapatos de protección y una mascarilla ligera.
- ▶ Sujete siempre la herramienta con ambas manos por las empuñaduras previstas. Mantenga las empuñaduras secas, limpias y sin residuos de aceite o grasa.
- ▶ No utilice nunca la herramienta sin caperuza protectora. Coloque la caperuza protectora correctamente. Debe fijarla con seguridad a la herramienta y debe colocarla en la posición de mayor protección, de modo que quede descubierta en dirección al usuario la menor parte posible del disco tronizador. Procure que las chispas producidas durante la utilización de la herramienta no provoquen situaciones de peligro. La caperuza protectora sirve para proteger al usuario contra las piezas de discos tronizadores rotos y el contacto no intencionado con el disco tronizador, así como contra las chispas incontroladas.
- ▶ Antes de utilizar el producto o inmediatamente después de topar contra un obstáculo durante el trabajo, compruebe que la caperuza protectora no esté dañada. Las caperuzas protectoras dañadas deben sustituirse inmediatamente.
- ▶ Evite tocar las piezas en movimiento, ya que existe riesgo de lesiones.
- ▶ Procure que la postura sea estable y manténgase siempre en equilibrio. De esta forma podrá controlar mejor el producto en caso de presentarse una situación inesperada, por ejemplo rebotes o fuerzas giroscópicas. Evite adoptar posturas forzadas.
- ▶ Utilice ropa adecuada. No utilice vestimenta amplia ni joyas. Mantenga su pelo, vestimenta y guantes alejados de las piezas móviles. La vestimenta suelta, las joyas y el pelo largo se pueden enganchar con las piezas en movimiento.
- ▶ Si la herramienta funciona a plena velocidad y se suelta la empuñadura de aceleración de seguridad, el frenado provoca un pequeño par de vuelco de la herramienta hacia delante. Esté preparado y sujete la herramienta con las dos manos por las empuñaduras previstas.
- ▶ Si el producto o el disco tronizador caen al suelo, compruebe que no hayan sufrido daños. En caso necesario, cambie el disco tronizador.



- ▶ Desconecte el producto antes de ajustar la caperuza protectora o cambiar el disco tronzador.
- ▶ Utilice guantes de protección para cambiar el útil. El contacto con el disco tronzador puede producir cortes y quemaduras.
- ▶ Asegúrese de contar con medios de extinción de incendios, ya que la formación de chispas durante el trabajo, combinada con el uso de combustible, implica riesgo de incendio.
- ▶ No utilice un anillo reductor.
- ▶ Con objeto de reducir la formación de polvo al cortar materiales minerales y asfalto, trabaje preferentemente con el proceso de corte en mojado.
- ▶ Evite el contacto de la piel con el fango producido durante el corte en mojado.
- ▶ El polvo procedente de materiales como pinturas con plomo, determinadas maderas, minerales y metal puede ser nocivo para la salud. El contacto con el polvo o su inhalación puede provocar reacciones alérgicas o asfixia al usuario o a personas que se encuentren en su entorno. Con objeto de reducir la formación de polvo al cortar, le recomendamos trabajar preferentemente con el proceso de corte en mojado. Procure una buena ventilación del lugar de trabajo. Se recomienda utilizar una mascarilla de protección con filtro de la clase P2. Respete la normativa vigente en su país concerniente al procesamiento de los materiales de trabajo.
- ▶ No deben separarse materiales que contengan asbesto.
- ▶ No se debe trabajar con materiales algo inflamables, como barras de magnesio o madera, ni deben separarse dichos materiales.
- ▶ Efectúe pausas durante el trabajo, así como ejercicios de relajación y estiramiento de los dedos para mejorar la circulación. Tras muchas horas de trabajo expuesto a las vibraciones, pueden surgir complicaciones en los vasos sanguíneos o en el sistema nervioso en dedos, manos o articulaciones de las manos.
- ▶ Antes de comenzar a trabajar, consulte con el ingeniero, arquitecto o persona responsable de la obra. Las grietas en paredes portantes u otras estructuras pueden influir en la estática, especialmente al seccionar hierros de armadura o elementos portadores.
- ▶ Durante el proceso de taladrado, proteja la zona opuesta al lugar donde se realiza el trabajo, ya que pueden desprenderse cascotes y causar heridas a otras personas.
- ▶ No haga funcionar el producto sin vigilancia. Desconecte el motor y espere hasta que el disco tronzador esté completamente parado antes de dejar el producto en el suelo o transportarlo.
- ▶ Si se usa el producto sin bomba de agua externa, la cubierta de la bomba debe estar siempre instalada.
- ▶ Desconecte el producto después de su uso.
- ▶ Cuide el producto adecuadamente. Compruebe que no existan piezas rotas o deterioradas que puedan afectar al funcionamiento del producto. Encargue la reparación de las piezas deterioradas antes de usar el producto.
- ▶ Para evitar el riesgo de lesiones, utilice exclusivamente accesorios y herramientas originales de **Hilti**.
- ▶ Encargue a un profesional la reparación del producto utilizando exclusivamente piezas de repuesto originales. Solo así se garantiza la seguridad del producto.
- ▶ Respete la normativa nacional en materia de protección laboral.

2.4 Seguridad eléctrica

- ▶ Antes de empezar a trabajar, compruebe si la zona de trabajo oculta cables eléctricos, tuberías de gas o cañerías de agua. Las partes metálicas exteriores de la herramienta pueden provocar una descarga eléctrica si se daña por error un cable eléctrico.
- ▶ Trabaje de antemano el trabajo a realizar, después de estudiar el lugar de uso. Determine si se deben colocar símbolos de advertencia y si se debe definir una distancia de trabajo respecto a otras personas.

2.5 Seguridad en el lugar de trabajo

- ▶ Procure que haya una buena iluminación en la zona de trabajo.
- ▶ No trabaje en espacios cerrados. El monóxido de carbono, los hidrocarburos sin quemar y el benceno de los gases de escape pueden provocar asfixia.
- ▶ Mantenga la zona de trabajo ordenada. Mantenga el entorno de trabajo despejado de objetos que puedan ocasionarle lesiones. El desorden en la zona de trabajo podría provocar accidentes.
- ▶ Las chispas calientes contenidas en los gases de escape o que se producen en el proceso de corte pueden provocar incendios o explosiones. Asegúrese de que las chispas no puedan propagarse a materiales inflamables (gasolina, hierba seca, etc.) o explosivos (gas, etc.).
- ▶ Tras montar la bomba de agua, asegúrese de que los tornillos estén apretados con el par de apriete recomendado.



- ▶ Antes de montar la bomba de agua, asegúrese de que no se supere la presión máxima admisible de 87 psi de las tuberías.

2.6 Líquidos (gasolina y aceite) y vapores

- ▶ La inhalación de vapores de gasolina o el contacto con este combustible puede dañar la salud.
 - ▶ Evite que la gasolina entre en contacto directo con la piel. Utilice guantes de protección.
 - ▶ Si se ensucia la ropa con combustible, cámbiesela sin falta.
 - ▶ Procure ventilar bien el lugar de trabajo para evitar la inhalación de los vapores de gasolina.
 - ▶ Utilice un bidón de combustible reglamentario.
- ▶ No añada gasolina al producto con el motor en marcha. Espere hasta que se enfríe el motor.
- ▶ No fume nunca durante el repostaje, existe peligro de incendio o explosión.
- ▶ No añada gasolina al producto en el entorno de trabajo (mantenga una distancia mínima de 3 m/10 ft respecto al lugar de trabajo). Cuando añada gasolina a la herramienta, procure no derramar el combustible. Utilice un embudo apropiado.
- ▶ Evite inhalar vapores de gasolina y gases de escape. Asegúrese de que haya suficiente ventilación.
- ▶ No utilice gasolina ni otros líquidos inflamables para efectuar trabajos de limpieza.

2.7 Trabajos de tronzado con discos tronzadores

- ▶ Utilice únicamente discos tronzadores cuya velocidad admisible sea como mínimo tan elevada como la velocidad máxima de giro del husillo.
- ▶ Asegúrese de que el diámetro exterior y el espesor del disco tronzador sean coherentes con las dimensiones del producto.
- ▶ No utilice nunca discos tronzadores dañados, excéntricos o vibrantes.
- ▶ No utilice discos tronzadores de diamante dañados (fisuras en la cuchilla base, segmentos rotos o desafilados, taladro de alojamiento dañado, cuchilla base doblada o deformada, fuerte decoloración debido al sobrecalentamiento, cuchilla base gastada por debajo de los segmentos de diamante, segmentos de diamante sin saliente lateral, etc.).
- ▶ No utilice herramientas de corte dentadas.
- ▶ Al montar el disco tronzador, asegúrese siempre de que el sentido de giro indicado del disco tronzador coincida con el sentido de giro del husillo. Monte siempre un solo disco tronzador.
- ▶ Los discos tronzadores, las bridas y demás accesorios deben encajar a la perfección con el husillo de su producto. Los discos tronzadores que no se adapten perfectamente al husillo del producto pueden provocar giros irregulares, fuertes vibraciones e incluso la pérdida del control o la rotura del disco tronzador.
- ▶ Utilice siempre una brida de apriete intacta con el diámetro adecuado para el disco tronzador utilizado. Una brida de apriete adecuada apoya correctamente el disco tronzador y reduce así la probabilidad de ruptura.
- ▶ Dirija el producto de forma uniforme y sin aplicar presión lateral sobre el disco tronzador. Coloque siempre el disco tronzador en ángulo recto sobre la pieza. Durante el tronzado, no aplique presión lateral sobre el disco tronzador ni lo doble para no modificar la dirección de corte.
- ▶ Los discos tronzadores abrasivos utilizados en el proceso de corte en mojado se deben gastar en el mismo día, ya que la humedad prolongada y su efecto influyen negativamente en la dureza del disco tronzador.
- ▶ No monte hojas de sierra para madera.
- ▶ Utilice solo discos tronzadores que cumplan las normas vigentes para discos tronzadores.
- ▶ Antes de montar y utilizar el disco tronzador, compruebe que no presente daños. No monte discos tronzadores dañados. Tenga en cuenta las indicaciones del fabricante del disco tronzador.

2.8 CALIFORNIA PROPOSITION 65



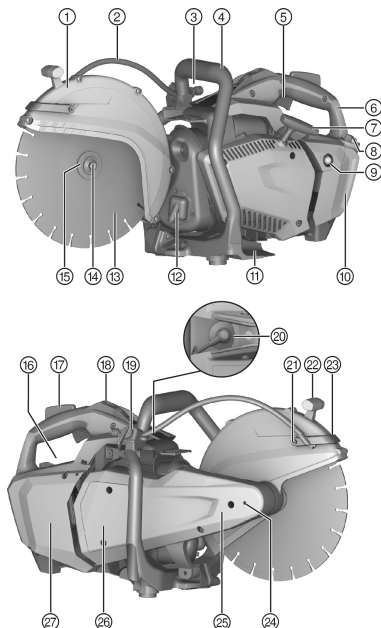
Fuels used in gas or oil filled appliances and the product of combustion of such fuels contain chemicals (including Benzene, toluene, xylenes, 1,3 butadiene and formaldehyde) known to the State of California to cause cancer, birth defects or other reproductive harm. **Wash hands after handling!**



3 Descripción

3.1 Vista general del producto

3.1.1 Amoladora tronzadora de gasolina



- ① Caperuza protectora
- ② Suministro de agua
- ③ Toma del agua
- ④ Empuñadura delantera
- ⑤ Palanca de aceleración
- ⑥ Empuñadura trasera
- ⑦ Arrancador manual
- ⑧ Tapa del depósito de combustible
- ⑨ Bomba del arrancador
- ⑩ Visualización del depósito
- ⑪ Placa de pie
- ⑫ Salida del escape con filtro de chispas
- ⑬ Disco tronzador
- ⑭ Tornillo de apriete
- ⑮ Brida de apriete
- ⑯ Placa de identificación
- ⑰ Empuñadura de aceleración de seguridad con accionamiento integrado del freno
- ⑱ Interruptor de conexión/desconexión con bloqueo de aceleración media integrado
- ⑲ Llave del agua
- ⑳ Conector de bujías
- ㉑ Tornillo de limpieza para tobera de agua
- ㉒ Empuñadura para el ajuste de la caperuza protectora
- ㉓ Arco de agua con toberas de agua integradas
- ㉔ Orificio de bloqueo para el cambio del disco tronzador
- ㉕ Brazo de la sierra
- ㉖ Cubierta de la bomba
- ㉗ Cubierta del filtro de aire

3.2 Uso conforme a las prescripciones

El producto descrito es una amoladora tronzadora con motor para el tronzado en seco y húmedo de asfalto y materiales para la construcción minerales o metálicos con discos tronzadores de diamante o abrasivos. La amoladora tronzadora no está diseñada para su uso en entorno con peligro de incendio o explosión.

3.3 Posibles usos indebidos

- ▶ La amoladora tronzadora de gasolina no debe utilizarse como pala.

3.4 Indicaciones de uso

- Con objeto de reducir la formación de polvo al cortar, trabaje preferentemente con el proceso de corte en mojado. Con la bomba de agua de absorción autónoma (accesorio) puede trabajar sin conexión a la red de abastecimiento de agua, p. ej. absorbiendo agua directamente desde un recipiente.
- No corte la pieza de trabajo de una sola vez; mueva la amoladora tronzadora varias veces en una y otra dirección hasta alcanzar poco a poco la profundidad de corte deseada.
- Durante el corte en seco, levante el disco tronzador fuera del corte con el producto en funcionamiento durante unos 10 s cada 30 o 60 s, para evitar daños en el disco tronzador de diamante.
- Afíle los discos tronzadores de diamante desafilados (no salen diamantes de la ligadura) cortando en materiales muy abrasivos como piedra arenisca o similar.



3.5 Especificación de los discos tronzadores

ADVERTENCIA

Riesgo de lesiones. El uso de discos tronzadores que no sea conforme con la norma ANSI puede suponer un mayor riesgo de lesiones para el usuario.

- ▶ No utilice discos tronzadores que no sean conformes con la norma ANSI sobre discos tronzadores .

Con este producto deben usarse discos tronzadores de diamante según ANSI B7.1. También pueden usarse con la herramienta discos tronzadores aglomerados con resina sintética y refuerzo de fibras según ANSI B7.1 (forma recta, no acodada, tipo cut-off wheel) para trabajar materiales de construcción metálicos. Siga siempre las indicaciones de uso y montaje del fabricante del disco tronzador.

3.6 Suministro

Amoladora tronzadora de gasolina, juego de herramientas DSH 600-X, juego de piezas de desgaste DSH 600-X, manual de instrucciones.

Encontrará otros productos del sistema autorizados para su producto en su **Hilti Store** o en Internet, en: www.hilti.group

3.7 Freno de la hoja de sierra

El producto está equipado con un freno de la hoja de sierra integrado que incrementa la seguridad de manejo. Al soltar la palanca de aceleración de seguridad, la hoja de sierra se frena hasta detenerse en un máximo de 10 segundos.



Si la herramienta funciona a plena velocidad y se suelta la empuñadura de aceleración de seguridad, el frenado provoca un pequeño par de vuelco de la herramienta hacia delante. Sujete la herramienta con las dos manos por las empuñaduras previstas.

3.8 Material de consumo y piezas de desgaste

- Filtro de aire
- Hilo
- Arrancador
- Filtro de gasolina
- Bujía
- Juego de herramientas
- Juego de cilindros
- Tornillo de fijación comp.
- Brida para disco tronzador abrasivo (con anillo de centraje integrado de 20 mm/1")
- Brida para disco tronzador de diamante (con anillo de centraje integrado de 20 mm/1")

4 Datos técnicos

4.1 Amoladora tronzadora de gasolina

	DSH 600-X
Cilindrada	3,86 in ³ (63,3 cm ³)
Peso con brida de discos de diamante, sin disco tronzador y con el depósito vacío	21,72 lb (9,85 kg)
Potencia nominal a 8500 rpm según ISO 7293	4,3 hp (3,2 kW)
Velocidad de giro máxima del husillo	5.080 rpm
Velocidad máxima del disco tronzador	5.080 rpm
Profundidad de corte máxima	4,7 in (120 mm)
Carburador	Walbro; modelo: WT-1203



4.2 Otros datos técnicos

	DSH 600-X
Tipo de motor	Motor de dos tiempos/un cilindro/refrigerado por aire
Velocidad de giro máxima del motor	8.700 rpm
Velocidad de giro en vacío	2900 ± 200 rpm
Encendido (tipo)	Electrónico
Distancia de electrodos	0,03 in (0,7 mm)
Bujía	NGK; tipo: CMR7A
Par de apriete para fijar las bujías	9 ftlb _r (12 Nm)
Mezcla de combustible	Aceite API-TC 2 % (1:50)
Volumen del depósito	870 cm ³
Volumen del depósito	29,4 oz
Taladro de alojamiento del disco tronzador/diámetro del tope de centrado del casquillo de centrado	0,8 in (20 mm)
Taladro de alojamiento del disco tronzador/diámetro del tope de centrado del casquillo de centrado	1,00 in (25,4 mm)
⚠ Diámetro exterior mínimo de la brida para discos tronzadores de diamante (solo para discos con núcleo de acero; las bridas están marcadas con «FOR DIAMOND ABRASIVE STEEL CORE WHEELS ONLY»).	2,4 in (60 mm)
⚠ Diámetro exterior mínimo de la brida para discos tronzadores abrasivos (discos de materiales compuestos)	3,1 in (78 mm)
Diámetro exterior máximo del disco tronzador	11,8 in (300 mm)
Grosor nominal máximo del disco tronzador (solo para discos con núcleo de acero)	0,18 in (4,5 mm)
Grosor nominal máximo del disco tronzador (discos de materiales compuestos)	0,16 in (4,0 mm)
Par de apriete para fijar el disco tronzador	18 ftlb _r (25 Nm)

5 Puesta en servicio

5.1 Combustible

El motor de dos tiempos funciona con una mezcla de combustible compuesta por gasolina y aceite. La calidad de la mezcla de combustible juega un papel muy importante en el funcionamiento y la vida útil del motor.

ADVERTENCIA

Riesgo de lesiones. La inhalación de vapores de gasolina o el contacto con este combustible puede dañar la salud.

- ▶ Evite que la gasolina entre en contacto directo con la piel. Utilice guantes de protección.
- ▶ Si se ensucia la ropa con combustible, cámbiesela sin falta.
- ▶ Procure ventilar bien el lugar de trabajo para evitar la inhalación de los vapores de gasolina.
- ▶ Utilice un bidón de combustible reglamentario.

5.1.1 Uso de aceite para motores de dos tiempos

- ▶ Utilice aceite de buena calidad para motores de dos tiempos refrigerados por aire, que cumpla como mínimo la especificación API-TC.



5.1.2 Gasolina

- ▶ Utilice gasolina normal o súper con un octanaje no inferior a 89 ROZ.

El contenido en alcohol (por ejemplo, etanol, metanol u otros) del combustible utilizado no debe ser superior al 10 %; de lo contrario, la vida útil del motor se reduce considerablemente.

5.1.3 Mezcla del combustible

El motor puede dañarse si se utiliza un combustible con una proporción de mezcla incorrecta o un aceite inadecuado.

Utilice una proporción de mezcla de 1:50. Esto equivale a una parte de aceite para motores de dos tiempos de buena calidad con la especificación API-TC por 50 partes de gasolina (p. ej., 100 ml de aceite por 5 l de gasolina en una carga de bidón).

1. Vierta la cantidad necesaria de aceite de dos tiempos en el depósito de combustible.
2. Vierta la gasolina en el depósito de combustible.
3. Cierre el depósito de combustible.
4. Mezcle el combustible agitando el depósito de combustible.

Si no conoce la calidad de la gasolina o del aceite para motores de dos tiempos, incremente la proporción de mezcla a 1:25.

5.1.4 Llenado de combustible o repostaje

1. Mezcle el combustible (aceite de dos tiempos/mezcla de gasolina) agitando el depósito de combustible.
2. Coloque el producto en una posición vertical estable.
3. Abra el depósito de combustible girando la tapa en sentido antihorario y retirándola.
4. Vierta lentamente el combustible a través de un embudo.
5. Cierre el depósito de combustible colocando la tapa y girándola en sentido horario.
6. Cierre el depósito de combustible.

5.2 Tareas de montaje y ajuste

ADVERTENCIA

Riesgo de lesiones. Tocar el disco tronzador mientras gira puede causar lesiones. Las piezas calientes de la máquina o un disco tronzador caliente pueden provocar quemaduras.

- ▶ Antes de realizar trabajos de montaje o modificaciones del producto, asegúrese de que el disco tronzador se haya detenido por completo y el producto se haya enfriado.
- ▶ Utilice guantes de protección.

5.2.1 Montaje del disco tronzador

ADVERTENCIA

Riesgo de lesiones y daños. Los discos tronzadores inadecuados pueden destruirse durante el funcionamiento o provocar la pérdida de control sobre el producto o la rotura del útil de inserción.

- ▶ Asegúrese de que la velocidad admisible del disco tronzador sea como mínimo tan elevada como la velocidad nominal máxima del husillo utilizado con el producto. Los discos tronzadores, bridas y tornillos deben ser adecuados para el producto.
- ▶ Utilice solo discos tronzadores cuyo taladro de alojamiento tenga un diámetro de 20 mm o 25,4 mm (1") y que coincidan con el casquillo de centrado.
- ▶ Utilice únicamente la brida grande de diámetro 78 mm (3") para fijar el disco tronzador abrasivo con seguridad.



**ADVERTENCIA**

Riesgo de lesiones y daños. Los discos tronzadores dañados pueden romperse.

- ▶ Si el disco tronzador recibe un golpe, compruebe de inmediato si el disco se ha dañado y sustitúyalo en caso necesario.
- ▶ No utilice nunca discos tronzadores dañados, no redondos o vibrantes.
- ▶ No utilice discos tronzadores de aglomerado con resina sintética y refuerzo de fibras con la fecha de caducidad superada o que se hayan ablandado al mojarse.

**ADVERTENCIA**

Riesgo de lesiones y daños. Si los tornillos de fijación están muy apretados, tanto estos como las arandelas que llevan montadas pueden dañarse o romperse.

- ▶ Ajuste siempre el tornillo de fijación con el par de giro especificado.
- ▶ Procure no apretar demasiado el tornillo de fijación.

**ADVERTENCIA**

Riesgo de lesiones. En caso de montaje o desmontaje incorrecto del disco tronzador, las piezas sueltas pueden alcanzar el ojo y provocar lesiones.

- ▶ Utilice siempre protección para los ojos (gafas protectoras) al cambiar el útil de inserción.

1. Inserte la clavija de bloqueo en el taladro de la cubierta de la correa y gire el disco tronzador hasta que la clavija de bloqueo encaje.
2. Suelte el tornillo de fijación girándolo con la llave en sentido antihorario y retírelo junto con el disco.
3. Retire la clavija de bloqueo.
4. Retire la brida de apriete y el disco tronzador.
5. Compruebe si el taladro de alojamiento del disco tronzador que se va a montar coincide con el juego de centrado del casquillo de centrado.



El casquillo de centrado presenta un tope de centrado con un diámetro de 20 mm en un lado y un tope de centrado con un diámetro de 25,4 mm (1") en el lado opuesto.

6. Limpie las superficies de fijación y de centrado en el producto y en el disco tronzador.
7. Elija una de las siguientes alternativas.

Alternativa 1/2

- ▶ Utilice únicamente la brida grande para fijar el disco tronzador abrasivo con seguridad.

Alternativa 2/2

- ▶ Para los discos de diamante utilice la brida pequeña a fin de aprovechar toda la profundidad de corte.
8. Coloque el disco tronzador con collar de centrado en el eje de accionamiento y asegúrese de que la dirección de giro sea correcta.
 - ▶ La flecha de dirección de giro del disco tronzador coincide con la dirección de giro indicada en el producto.
 9. Coloque la brida de apriete y el disco en el eje de accionamiento y apriete el tornillo de fijación en sentido horario.
 10. Inserte la clavija de bloqueo en el taladro de bloqueo de la cubierta de la correa y gire el disco tronzador hasta que la clavija de bloqueo encaje.
 11. Apriete el tornillo de fijación (par de apriete: 25 Nm).
 12. Retire la clavija de bloqueo.

**PRECAUCIÓN**

Riesgo de lesiones y daños. Los útiles de inserción dañados pueden romperse.

- ▶ No utilice nunca útiles de inserción dañados, no redondos o vibrantes.
- ▶ Permanezca fuera de la zona de peligro.

13. Tras montar un nuevo disco tronzador, haga girar el producto sin carga y a toda velocidad durante aprox. 1 min.



5.2.2 Ajuste de la caperuza protectora

ADVERTENCIA

Riesgo de lesiones. El contacto con el disco tronzador y partículas o chispas proyectadas puede causar lesiones.

- ▶ Ajuste la caperuza protectora de modo que las partículas y las chispas desprendidas del material de trabajo salgan proyectadas en dirección opuesta al usuario y al producto.
- ▶ Sujete la caperuza protectora por la empuñadura provista para ello y gírela hacia la posición deseada hasta que encaje.



Asegúrese de que la abertura de la protección de la hoja no apunte hacia el usuario.

5.2.3 Montaje de la bomba de agua (accesorio)

1. Desconecte el producto.
2. Suelte los tres tornillos de fijación de la cubierta de la bomba, extráigala y guárdela en lugar seguro.



Si se utiliza el producto sin bomba de agua, la cubierta de la bomba debe estar instalada.

3. Coloque la bomba de agua y gire ligeramente el disco tronzador para alinear de modo uniforme los dentados de la bomba de agua y la campana de embrague hasta que queden engarzados entre sí.
 - ▶ La posición está codificada y no es posible un montaje erróneo.
4. Monte los tres tornillos de fijación y apriételos.
 - ▶ **Par de apriete:** 8 Nm
5. Una la manguera de la bomba con la conexión de la amoladora tronzadora.
6. Retire la tapa de protección del extremo de la manguera para la toma de agua.
7. Asegúrese de que la presión del agua en la tubería sea como máximo de 6 bar.
 - ▶ Reduzca la presión del agua en caso necesario.
8. Conecte la bomba de agua a la tubería de suministro o introduzca la manguera de aspiración en un recipiente con agua, por ejemplo.



Cuando la bomba de agua no esté conectada a una toma, deberá colocarse la tapa de protección en el extremo de la manguera para la toma de agua.

5.2.4 Desmontaje de la bomba de agua (accesorio)

1. Desconecte el producto.
2. Desconecte el suministro de agua de la bomba.
3. Coloque la tapa de protección en el extremo de la manguera para la toma de agua.
4. Desconecte la bomba del producto.
5. Suelte los tres tornillos de fijación de la bomba y desmonte la bomba.
6. Coloque la cubierta de la bomba.
7. Enrosque los tres tornillos de fijación y apriételos.
 - ▶ **Par de apriete:** 4 Nm

5.2.5 Montaje del juego de ruedas (accesorio)

1. Afloje los dos tornillos de fijación inferiores de la chapa protectora.
2. Fije la placa base con los dos tornillos.
3. Fije a ambos lados de la placa base las ruedas y las arandelas con los tornillos.

6 Manejo

6.1 Arranque del motor

PELIGRO

Peligro de asfixia. El monóxido de carbono, los hidrocarburos sin quemar y el benceno de los gases de escape pueden provocar asfixia.

- ▶ No trabaje en espacios cerrados, zanjas u hoyos, y procure que haya buena ventilación.



 **ADVERTENCIA**

Riesgo de quemaduras. El tubo de escape alcanza temperaturas muy elevadas durante el funcionamiento del motor. Además, permanece caliente durante un periodo prolongado después de apagar el motor.

- ▶ Utilice guantes de protección y evite tocar el tubo de escape.
 - ▶ No coloque el producto caliente sobre material inflamable.
-

 **ADVERTENCIA**

Riesgo de lesiones. Un tubo de escape dañado incrementa el volumen de ruido por encima del límite admisible y aumenta el riesgo de sufrir daños auditivos.

- ▶ No utilice nunca el producto si el tubo de escape está dañado, ha sido cambiado por otro de diferentes características o no está presente.
-

 **ADVERTENCIA**

Riesgo de lesiones en caso de uso sin montar la cubierta de la bomba de agua El contacto con la conexión de la bomba de agua durante el funcionamiento provoca lesiones.

- ▶ Antes de utilizar el producto, asegúrese de que la cubierta de la bomba de agua esté correctamente montada.
-

 **ADVERTENCIA**

Riesgo de lesiones por sustancias y gases inflamables. Como consecuencia puede sufrir quemaduras e incluso la muerte.

- ▶ No utilice el producto si hay sustancias y gases inflamables presentes.
 - ▶ Asegúrese de que haya una ventilación suficiente.
-

 **PRECAUCIÓN**

Riesgo de lesiones al pillarse los dedos o riesgo de quemaduras con la bomba de agua montada. El contacto con la carcasa de la bomba puede provocar quemaduras.

- ▶ Agarre la empuñadura delantera únicamente por el lado superior e izquierdo.
-

1. Pulse la empuñadura de aceleración de seguridad y manténgala presionada.
2. Pulse la palanca de aceleración y manténgala presionada.
3. Coloque el interruptor de conexión/desconexión en la posición «Arranque».
4. Suelte la empuñadura de aceleración de seguridad y la palanca de aceleración.
 - ▶ Se activará la posición de aceleración media.
5. Accione la bomba de arranque 2 o 3 veces hasta que el botón de la bomba se haya llenado completamente de combustible (solo para arranque en frío).
6. Compruebe si el disco tronzador gira con libertad.
7. Coloque el pie izquierdo en la placa de pie.
8. Tire lentamente del arrancador manual con la mano derecha hasta que perciba una resistencia.
9. Tire con fuerza del arrancador manual.
10. Repita el proceso hasta que el motor arranque.
11. En cuanto arranque el motor, presione brevemente la palanca de aceleración.
 - ▶ De esta forma se desactiva el bloqueo de aceleración media y el motor funciona al ralentí.

6.2 Comprobaciones después del arranque del motor

1. Compruebe que el disco tronzador permanezca inmóvil en marcha en vacío y que, tras acelerar a fondo brevemente, el disco tronzador vuelva a quedar totalmente inmóvil en marcha en vacío.
 - ▶ Si el disco tronzador no se para en la marcha en vacío, reduzca la velocidad de giro en vacío. Si esto no es posible, envíe el producto al Servicio Técnico de **Hilti**.
2. Compruebe el funcionamiento correcto del interruptor de conexión/desconexión. Coloque el interruptor de conexión/desconexión en la posición **Parar**.
3. Si el motor no se apaga, presione el botón de la bomba (bomba de arranque). Si esto no surte efecto, extraiga el conector de bujías y envíe el producto al Servicio Técnico de **Hilti**.



6.3 Desconexión del motor

ADVERTENCIA

Riesgo de lesiones. Un disco tronzador en rotación puede romperse y puede salir expulsado material.

- ▶ Deje que el disco tronzador se detenga antes de depositar la amoladora tronzadora.

1. Suelte la palanca de aceleración.
2. Coloque el interruptor de conexión/desconexión en la posición «Parar».
 - ▶ El motor se detendrá.

6.4 Técnica de corte

Si la amoladora tronzadora de gasolina se aplica en la zona marcada, existe riesgo de rebote. El rebote se debe a un uso incorrecto del producto. Para evitar que se produzcan rebotes, observe las indicaciones de seguridad y las indicaciones de uso que se describen a continuación.

- ▶ Evite que el útil de inserción toque la superficie de trabajo por la zona marcada.
- ▶ Antes del corte, haga funcionar la amoladora tronzadora de gasolina a la velocidad máxima.
- ▶ Haciendo presión sobre el producto, hunda lentamente el útil de inserción en el material.
- ▶ Trabaje con un avance moderado, adecuado al tipo de material que esté tratando.



Si se aprecia que cada vez se avanza menos en el trabajo, puede significar que los segmentos del diamante están romos. Estos se pueden afilar haciendo cortes en material abrasivo (placa de afilado Hilti o piedra arenisca calcárea abrasiva).

- ▶ Dirija la amoladora tronzadora de gasolina de forma uniforme y sin aplicar presión lateral sobre el disco tronzador.
- ▶ Sujete la amoladora tronzadora de gasolina siempre con ambas manos por las empuñaduras previstas. Mantenga las empuñaduras secas, limpias y sin residuos de aceite o grasa.
- ▶ Asegúrese de que no haya ninguna persona en la zona de trabajo, especialmente en la dirección de corte. Mantenga a terceras personas alejadas aprox. 15 m de su puesto de trabajo.

6.5 Modo de evitar bloqueos

Si se bloquea el disco tronzador, el producto tiende a tirar en sentido contrario al usuario.

PRECAUCIÓN

Peligro de ruptura o de rebote. La sobrecarga del disco tronzador provoca su torsión. Si el disco tronzador se atasca en el corte, aumenta la probabilidad de que se produzcan rebotes o se rompa el disco tronzador.

- ▶ No deje que el disco tronzador se atasque y evite una presión excesiva al cortar.
- ▶ No intente alcanzar de inmediato una profundidad de corte excesiva.
- ▶ Corte piezas de trabajo gruesas a ser posible en varios cortes.
- ▶ Corte una sola pieza a la vez.
- ▶ Apoye las placas o las piezas de trabajo grandes de trabajo de forma que la ranura de corte permanezca abierta durante y después del proceso de corte.

6.6 Modo de evitar rebotes

El rebote es la reacción inesperada causada por el atascamiento o bloqueo de un disco tronzador en funcionamiento. El atascamiento o bloqueo produce una parada brusca de la herramienta en funcionamiento. Esto hace que el producto se acelere en la posición de bloqueo opuesta respecto a la dirección de giro del útil de inserción.

Si, por ejemplo, un disco tronzador se atasca o se bloquea en una pieza de trabajo, el borde del disco tronzador que penetra en la pieza de trabajo puede engancharse y, como consecuencia, romperse o dar lugar a un rebote. Entonces, el disco tronzador se mueve hacia el usuario o en sentido contrario. Cuanto más adelante se atasque el disco tronzador, más elevada es la probabilidad de que se produzcan rebotes. En este caso, los discos tronzadores también pueden romperse.

El rebote se debe a un uso incorrecto del producto. Puede evitarse cumpliendo las medidas de seguridad pertinentes que se describen a continuación. Al cortar en la dirección del suelo, si el disco tronzador se atasca, el producto puede saltar hacia delante de manera descontrolada. Al realizar cortes en vertical, p. ej., en una pared, si el disco tronzador se atasca, el producto puede saltar hacia arriba de manera descontrolada.



- ▶ Acerque el disco tronzador siempre desde la parte superior hacia la pieza de trabajo con la palanca de aceleración presionada.
 - ▶ El disco tronzador solo puede tocar la pieza de trabajo en una posición por debajo del punto de giro.
- ▶ Extremar la precaución cuando inserte el disco tronzador en un corte existente.

7 Cuidado y mantenimiento

ADVERTENCIA

Riesgo de lesiones. El contacto con el disco tronzador en rotación o piezas calientes de la máquina puede producir lesiones y quemaduras.

- ▶ Antes de cualquier trabajo de mantenimiento, reparación o limpieza, apague el motor y deje enfriar el producto.

7.1 Tabla de mantenimiento

1 - Antes de iniciar el trabajo | 2 - Cada seis meses | 3 - Cuando sea necesario

	1	2	3
Apriete las tuercas y los tornillos accesibles desde el exterior.	x	x	x
Compruebe que la herramienta está íntegra y en perfecto estado. → Repare en caso necesario	x		
Compruebe si hay suciedad. → Repare en caso necesario	x		
Compruebe el funcionamiento correcto de los elementos de manejo. → Repare en caso necesario	x		
Compruebe si el disco tronzador está en perfecto estado. → Renuévelo en caso necesario	x		
Compruebe si el filtro de combustible presenta suciedad. → Renuévelo en caso necesario		x	x
Cambiar el filtro de aire si el producto no arranca o la potencia del motor disminuye notablemente.			x
Limpiar o cambiar las bujías si el producto no arranca o le cuesta arrancar.			x
Regular la velocidad de giro en vacío si el disco tronzador no se para en la marcha en vacío.			x
Si la correa resbala al accionar el disco tronzador, envíe el producto al Servicio Técnico de Hilti para su reparación.			x

7.2 Limpieza o sustitución del filtro de aire

ATENCIÓN

Riesgo de daños. El producto puede estropearse si penetra polvo en su interior.

- ▶ No trabaje en ningún caso sin filtro de aire o con un filtro de aire dañado.
- ▶ Al cambiar el filtro de aire, el producto debe estar en posición vertical y no tumbado. Asegúrese de que no entre polvo en la pantalla de filtro situada por debajo del filtro de aire.

Cambie el filtro de aire cuando la potencia del motor disminuya notablemente o el comportamiento de arranque se deteriore.

1. Suelte los tornillos de fijación de la tapa del filtro de aire y extráigala.
2. Elimine cuidadosamente el polvo adherido al filtro de aire y a la cámara de aire (utilice un aspirador de polvo).
3. Extraiga el filtro de aire.
4. Coloque un nuevo filtro de aire.
5. Coloque la tapa del filtro de aire y apriete los tornillos de fijación.



7.3 Sustitución del cable roto del arrancador **11**

ATENCIÓN

Riesgo de daños. Un cable demasiado corto del arrancador puede dañar la carcasa.

- ▶ Si el cable del arrancador se rompe, deje de utilizarlo de inmediato y sustitúyalo.
1. Suelte los cuatro tornillos de fijación y extraiga la unidad del arrancador.
 2. Suelte los dos tornillos de fijación de la cubierta y extráigala.
 3. Retire los restos de cable de la bobina y de la empuñadura del arrancador.
 4. Realice un nudo apretado al final del nuevo cable del arrancador e introduzca el extremo libre del cable desde arriba en la bobina del cable.
 5. Conduzca el extremo libre del cable desde abajo a través del taladro en la carcasa del arrancador, así como desde abajo a través de la empuñadura del arrancador y realice en el extremo del cable otro nudo apretado.
 6. Extraiga el cable del arrancador tal como se muestra en la figura de la carcasa y condúzcalo a través de la ranura de la bobina.
 7. Sostenga el cable del arrancador cerca de la ranura de la bobina y gírelo en el sentido de las agujas del reloj hasta alcanzar el tope.
 8. Gire la bobina desde el tope entre $\frac{1}{2}$ y $1 \frac{1}{2}$ vueltas hacia atrás hasta que la ranura de la bobina coincida con el orificio en la carcasa de arrancador.
 9. Sujete la bobina y extraiga el cable de la carcasa tirando en dirección a la empuñadura del arrancador.
 10. Mantenga el cable tensado y suelte la bobina para que el cable del arrancador pueda enrollarse automáticamente.
 11. Estire el cable del arrancador hasta su tope y compruebe si en dicha posición todavía se puede girar a mano la bobina al menos media vuelta más en el sentido de las agujas del reloj. Si esto no fuera posible, destense los resortes una vuelta más en el sentido contrario a las agujas del reloj.
 12. Monte la cubierta y fíjela con los dos tornillos de fijación.
 13. Coloque la unidad del arrancador y presiónela con cuidado hacia abajo. Tire del cable del arrancador para que el acoplamiento encaje y la unidad del arrancador quede totalmente apoyada.
 14. Fije la unidad del arrancador con los cuatro tornillos de fijación.

7.4 Sustitución del filtro de combustible **12**

Asegúrese de que no entre suciedad en el depósito de combustible del producto al repostar.

1. Abra el depósito de combustible.
2. Extraiga el filtro de combustible del depósito de combustible.
3. Revise el filtro de combustible.
 - ▶ Si el filtro de combustible está muy sucio, sustitúyalo.
4. Desplace la pinza hacia atrás por la manguera y retire el filtro de combustible sucio.
5. Coloque un nuevo filtro de combustible y fíjelo con la pinza de la manguera.
6. Vuelva a introducir el filtro de combustible en el depósito de combustible.
7. Cierre el depósito de combustible.

7.5 Limpieza de la bujía, ajuste de la distancia de los electrodos o sustitución de la bujía **13**

PRECAUCIÓN

Riesgo de lesiones. La bujía y las piezas del motor pueden estar calientes justo después del funcionamiento del producto.

- ▶ Antes de realizar trabajos de mantenimiento o puesta a punto, deje enfriar el producto.
1. Extraiga el conector de bujías con un ligero movimiento giratorio.
 2. Desatornille la bujía del cilindro con la respectiva llave.
 3. En caso necesario, limpie el electrodo con un cepillo suave de alambre.
 4. Compruebe la distancia de los electrodos y ajústela en caso necesario con ayuda de una galga hasta obtener la distancia necesaria de 0,7 mm.
 5. Inserte la bujía en el conector de bujías y sujete la rosca de la bujía contra el cilindro.



6. Coloque el interruptor de conexión/desconexión en la posición «Arranque».

**ADVERTENCIA**

Riesgo de lesiones. En caso de tocar los electrodos existe peligro de descarga eléctrica.

- ▶ No toque los electrodos de la bujía.
-
7. Tire del cable del arrancador.
 - ▶ Ahora se debe ver una chispa de encendido inequívoca.
 8. Atornille la bujía en el cilindro con la llave correspondiente (par de apriete: 12 Nm).
 9. Inserte el conector de bujías en la bujía.

7.6 Ajuste del carburador 14

El carburador de este producto se ha ajustado óptimamente y precintado antes de su entrega (boquillas H y L). En este carburador, el usuario puede ajustar la velocidad de giro en vacío (boquilla T). Todos los demás trabajos de ajuste deben ser realizados por el Servicio Técnico de **Hilti**.



Una manipulación inadecuada en el ajuste del carburador puede dañar el motor.

- ▶ Limpie el filtro de aire. → página 60
- ▶ Lleve la herramienta a la temperatura de servicio.
- ▶ Utilice un destornillador adecuado (ancho de hoja: 4 mm/⁵/₃₂ ") y no fuerce el tornillo de ajuste más allá del rango admisible.
- ▶ Ajuste la boquilla de marcha en vacío (T) de forma que el producto funcione al ralentí sin forzar y el disco tronzador se pare con seguridad.

7.7 Limpieza de las toberas de agua 15

1. Afloje el tornillo de limpieza del arco de agua.
2. Limpie la tobera de agua con un alambre.
3. Monte el tornillo de limpieza.

7.8 Cuidado del producto

Para garantizar un correcto funcionamiento, utilice exclusivamente piezas de repuesto y material de consumo originales. Las piezas de repuesto, los materiales de consumo y los accesorios autorizados por **Hilti** se pueden consultar en su **Hilti Store** o en: www.hilti.group

- ▶ Mantenga el producto seco, limpio y libre de aceite y grasa, en especial las superficies de la empuñadura.
- ▶ No utilice ningún producto de limpieza que contenga silicona.
- ▶ Limpie regularmente el exterior de la herramienta con un paño ligeramente humedecido o con un cepillo seco. Para limpiarla, no utilice pulverizadores, aparatos de chorro de vapor ni agua corriente.
- ▶ Evite que entren cuerpos extraños en el interior del producto.

7.9 Mantenimiento

1. Compruebe regularmente que ninguna de las partes exteriores del producto y de los accesorios esté dañada y que todos los elementos de manejo se encuentren en perfecto estado de funcionamiento.
2. No use al producto si alguna de las piezas está dañada o si alguno de los elementos de manejo no funciona correctamente. Encargue la reparación del producto al Servicio Técnico de **Hilti**.

7.10 Comprobación después de las tareas de cuidado y mantenimiento

- ▶ Una vez realizadas las tareas de cuidado y mantenimiento, compruebe si están colocados todos los dispositivos de protección y si estos funcionan correctamente.

8 Transporte y almacenamiento**Indicaciones generales de transporte**

- ▶ Desconecte el producto antes de transportarlo.



- ▶ Después del uso, extraiga el disco tronzador del producto. En caso de transportar la herramienta con el disco tronzador montado, este puede resultar dañado.
- ▶ Manipule los discos tronzadores con cuidado y guarde los discos tronzadores según las instrucciones del fabricante.
- ▶ Almacene y transporte el producto siempre erguido y no tumbado sobre un lado.
- ▶ El producto no debe transportarse con grúa.
- ▶ Los productos que no se utilicen deben almacenarse de manera segura. Los productos que no se utilicen deben conservarse fuera del alcance de los niños, en un lugar seco, alto y cerrado.
- ▶ Al depositar el producto, asegúrese de que la posición sea segura.
- ▶ Después de usar el producto, déjelo enfriar antes de embalarlo o taparlo.
- ▶ Almacene la gasolina y el aceite en un espacio bien ventilado y en depósitos de combustible reglamentarios.

8.1 Transporte del producto en vehículo

ADVERTENCIA

Peligro de incendio o explosión. Si el producto se vuelca durante el transporte, puede verterse el combustible contenido en el depósito.

- ▶ Antes de embalar el producto para entregarlo a un servicio de transporte, vacíe por completo el depósito de combustible.
- ▶ Siempre que sea posible, transporte el producto en su embalaje original.

ADVERTENCIA

Riesgo de incendio. Las piezas calientes de la máquina pueden incendiar el material que las rodea.

- ▶ Antes de embalar el producto o cargarlo en un vehículo, déjelo enfriar por completo.

1. Desmonte el disco tronzador.
2. Proteja el producto contra vuelco, daños y fugas de combustible.

8.2 Conservación de la mezcla de combustible

PRECAUCIÓN

Riesgo de lesiones. Dado que en el bidón de combustible puede acumularse presión, existe el peligro de que se produzcan salpicaduras de combustible al abrirlo.

- ▶ Para dejar salir la presión despacio, abra la tapa del bidón siempre con cuidado.
- ▶ Almacene el combustible en un espacio bien ventilado y seco.

1. Prepare únicamente la mezcla de combustible necesaria para el consumo de unos cuantos días.
2. Limpie de vez en cuando el depósito de combustible.

9 Ayuda en caso de averías

Si se producen averías que no estén incluidas en esta tabla o que no pueda solucionar usted, diríjase al Servicio Técnico de **Hilti**.

Anomalía	Posible causa	Solución
El disco tronzador se vuelve más lento al cortar o se para del todo.	Se está ejerciendo demasiada presión al cortar (el disco tronzador se atasca en el corte) o lateralmente sobre el disco tronzador.	▶ Reduzca la presión de corte y guíe el producto en línea recta.
	El disco tronzador no está correctamente montado y sujetado.	▶ Compruebe el montaje y el par de apriete.
	Se ha ajustado un sentido de giro incorrecto.	▶ Monte el disco tronzador. → página 55
	La parte delantera del brazo de la sierra no está fijada.	▶ Encargue la reparación del producto al Servicio Técnico de Hilti .




Anomalia	Posible causa	Solución
Vibración elevada, el corte se desvía.	El disco tronzador no está correctamente montado y sujetado.	► Compruebe el montaje y el par de apriete.
	El disco tronzador está dañado (especificación inadecuada, fisuras, faltan segmentos, doblado, sobrecalentado, deformado, etc.).	► Cambie el disco tronzador.
	El casquillo de centrado está montado incorrectamente.	► Compruebe si el tamaño del taladro de alojamiento del disco tronzador coincide con el tope de centrado del casquillo de centrado.
El disco tronzador de diamante oscila y se atasca, dado el caso.	Disco tronzador de diamante inapropiado	► Utilice discos tronzadores de Hilti .
	Brida inapropiada para el disco tronzador de diamante	► Si utiliza discos tronzadores de la competencia, use la brida para discos tronzadores abrasivos.
La amoladora tronzadora no arranca o lo hace con dificultad.	Depósito de combustible vacío (no hay combustible en el carburador).	► Llene el depósito de combustible. → página 55
	El filtro de aire presenta suciedad.	► Cambie el filtro de aire.
	Motor ahogado (bujía mojada).	► Seque la bujía y la cámara del cilindro (Desmontaje de la bujía → página 61).
	Mezcla de combustible incorrecta.	► Vacíe y enjuague el depósito y la manguera de combustible. ► Llene el depósito de combustible con un combustible adecuado.
	Aire en el conducto de combustible (no hay combustible en el carburador).	► Purgue el conducto de combustible accionando varias veces la bomba de aspiración de combustible.
	El filtro de combustible presenta suciedad (no hay combustible en el carburador o hay muy poco).	► Limpie el depósito de combustible y cambie el filtro de combustible.
	No hay chispa de encendido o esta es muy débil (con la bujía desmontada).	► Elimine los restos de combustión de la bujía. ► Compruebe la distancia entre electrodos y ajústela. ► Cambie la bujía. ► Compruebe la bobina de encendido, los cables, las conexiones enchufables y los interruptores, y sustituya las piezas defectuosas, si las hay.
	La compresión es demasiado baja.	► Compruebe la compresión del motor y en caso necesario sustituya las piezas desgastadas (aros de pistones, pistones, cilindros, etc.).
	Temperatura ambiente demasiado baja.	► Caliente la amoladora tronzadora poco a poco hasta alcanzar la temperatura ambiente y repita la operación de arranque.



Anomalía	Posible causa	Solución
La amoladora tronzoadora no arranca o lo hace con dificultad.	La rejilla de protección contra chispas o la salida del escape se encuentran sucias.	► Limpie la rejilla de protección contra chispas o la salida del escape.
Baja potencia de motor o de corte.	El filtro de aire presenta suciedad.	► Cambie el filtro de aire.
	No hay chispa de encendido o esta es muy débil (con la bujía desmontada).	► Elimine los restos de combustión de la bujía. ► Compruebe la distancia entre electrodos y ajústela. ► Cambie la bujía. ► Compruebe la bobina de encendido, los cables, las conexiones enchufables y los interruptores, y sustituya las piezas defectuosas, si las hay.
	Mezcla de combustible incorrecta.	► Vacíe y enjuague el depósito y la manguera de combustible. ► Llene el depósito de combustible con un combustible adecuado.
	Especificación inadecuada del disco tronzoador para el material que debe cortarse.	► Cambie el disco tronzoador o consulte al Servicio Técnico de Hilti .
	La correa de accionamiento o el disco tronzoador se resbalan.	► Compruebe la fijación del disco. ► Encargue la reparación del producto al Servicio Técnico de Hilti .
	La comprensión es demasiado baja.	► Compruebe la comprensión del motor y en caso necesario sustituya las piezas desgastadas (aros de pistones, pistones, cilindros, etc.).
	Trabajos a una altitud superior a los 1500 m sobre el nivel del mar.	► Lleve el carburador al Servicio Técnico de Hilti para su ajuste.
	La proporción de la mezcla no es óptima (combustible/mezcla de aire).	► Lleve el carburador al Servicio Técnico de Hilti para su ajuste.
El disco tronzoador no se detiene en la marcha en vacío.	Velocidad de giro en vacío demasiado elevada.	► Compruebe la velocidad de giro en vacío y ajústela si es necesario.
	Posición de aceleración media bloqueada.	► Afloje la posición de aceleración media.
	Error en el embrague centrífugo.	► Cambie el embrague centrífugo.
El disco tronzoador no gira.	Tensión de correa insuficiente o rotura de correa.	► Encargue la reparación del producto al Servicio Técnico de Hilti .
La unidad del arrancador no funciona.	Las garras del acoplamiento no están engranadas.	► Limpie las garras del acoplamiento para que recuperen la movilidad.
Al soltar la palanca de aceleración de seguridad, la hoja de sierra sigue girando durante más de 15 segundos.	La cinta de freno está desgastada.	► Encargue la reparación del producto al Servicio Técnico de Hilti .
	El cable Bowden del freno se mueve con dificultad.	► Encargue la reparación del producto al Servicio Técnico de Hilti .



 Los productos **Hilti** están fabricados en su mayor parte con materiales reutilizables. La condición para dicha reutilización es una separación adecuada de los materiales. En muchos países, **Hilti** recoge las herramientas usadas para su recuperación. Pregunte en el Servicio de Atención al Cliente de **Hilti** o a su asesor de ventas.

Lodo de perforación

El vertido de lodo de perforación sin un tratamiento previo adecuado en el agua o en un sistema canalizado puede resultar perjudicial para el medio ambiente.

- ▶ Consulte a las autoridades locales para informarse sobre la normativa actual vigente.

Recomendamos el siguiente procedimiento previo:

- ▶ Acumule el lodo de perforación (por ejemplo, con el aspirador de líquidos).
- ▶ Deje que el lodo de perforación se sedimente y evacúe la parte sólida en un lugar de depósito de escombros (los agentes de floculación pueden acelerar el proceso de separación).
- ▶ Se deberá neutralizar el agua antes de conducir el agua restante (valor pH>7, básico) en la canalización. Para ello, añada agente neutralizador ácido o diluya con mucha agua.

11 Garantía del fabricante

- ▶ Si tiene alguna consulta acerca de las condiciones de la garantía, póngase en contacto con su sucursal local de **Hilti**.

11.1 Declaración de garantía federal de control de emisiones

Sus derechos y obligaciones en relación con la garantía

La Agencia de Protección Ambiental de Estados Unidos (EPA), la Junta de Recursos del Aire de California (CARB) y **Hilti** se complacen en explicarle la garantía de los sistemas de control de emisiones aplicable a su motor pequeño de uso fuera de carretera. En EE. UU. y Canadá, los motores pequeños de uso fuera de carretera deben estar diseñados, fabricados y equipados para cumplir con las estrictas normas anticontaminación federales. El motor del equipo no debe presentar defectos materiales ni de mano de obra que ocasionen el incumplimiento de las normas de la EPA estadounidense durante los dos primeros años a partir de la fecha de venta al comprador final. **Hilti** debe garantizar el sistema de control de emisiones de su motor pequeño de uso fuera de carretera durante los periodos de tiempo especificados anteriormente, siempre que no haya existido ningún abuso, negligencia o mantenimiento inadecuado de la unidad. Su sistema de control de emisiones incluye piezas como el carburador y el sistema de encendido. Cuando exista una condición cubierta por la garantía, **Hilti** se lo reparará sin coste alguno. Los gastos cubiertos por la garantía incluyen los diagnósticos, las piezas y la mano de obra.

Cobertura de la garantía del fabricante

Todos los motores pequeños de uso fuera de carretera de 2001 y posteriores están garantizados para cumplir con los requisitos aplicables de la EPA y la CARB durante dos años. Si alguna pieza relacionada con las emisiones de su motor (como se especifica más arriba) es defectuosa, la pieza será reparada o cambiada por **Hilti**.

Responsabilidades del propietario en relación con la garantía

Como propietario de un motor pequeño de uso fuera de carretera, usted es responsable de realizar el mantenimiento necesario tal y como indica **Hilti** en el manual del propietario. **Hilti** recomienda conservar todos los recibos correspondientes al mantenimiento de su motor pequeño de uso fuera de carretera, pero **Hilti** no puede anular la garantía únicamente por no conservar los recibos o por la no realización de todo el mantenimiento programado. Puede utilizarse cualquier pieza de recambio o servicio que tenga un rendimiento y una durabilidad equivalentes en reparaciones y mantenimiento no cubiertos por la garantía, sin que por ello se reduzcan las obligaciones del fabricante del motor en relación con la garantía. No obstante, como propietario del equipo pequeño de uso fuera de carretera deberá tener en cuenta que **Hilti** puede anular la cobertura de la garantía si su motor pequeño de uso fuera de carretera o una pieza de él se ha averiado a causa de un abuso, una negligencia, un mantenimiento inadecuado, una modificación no aprobada o el uso de piezas no fabricadas o aprobadas por el fabricante del equipo original. Usted es responsable de llevar el motor pequeño de uso fuera de carretera a **Hilti** tan pronto como surja el problema. Las reparaciones en garantía deben ser realizadas en un plazo de tiempo razonable, sin superar los 30 días.

Cobertura

Hilti le garantiza al comprador final y a los compradores siguientes que el motor pequeño del equipo de uso fuera de carretera se ha diseñado, fabricado y equipado, en el momento de la venta, para cumplir con todos los reglamentos aplicables. **Hilti** también garantiza al comprador inicial y a los compradores siguientes que las piezas en garantía relacionadas con las emisiones no presentan defectos materiales ni de mano de obra



que puedan causar que el motor incumpla los reglamentos aplicables durante un periodo de dos años. Estos periodos de garantía comenzarán en la fecha de compra del motor pequeño del equipo de uso fuera de carretera por el comprador inicial. Si alguna pieza relacionada con las emisiones de su motor es defectuosa durante este periodo de garantía, la pieza será cambiada por Hilti sin coste alguno para el propietario. Hilti solucionará los defectos de piezas en garantía en cualquier centro técnico o de reparación de Hilti. Las reparaciones autorizadas realizadas en un centro técnico o de reparación de Hilti autorizado serán gratuitas para el propietario si se determina que la pieza garantizada es defectuosa. Pueden utilizarse piezas de recambio aprobadas por el fabricante o equivalentes para cualquier servicio de mantenimiento o reparación de las piezas relacionadas con las emisiones y deben proporcionarse de forma gratuita al propietario si la pieza aún está en garantía. Hilti es responsable de los daños a otros componentes del motor que sean causados por la avería de una pieza garantizada que aún esté en garantía. La relación de piezas de la garantía de emisiones de la Junta de Recursos del Aire de California define específicamente las piezas garantizadas relacionadas con las emisiones. Estas son las piezas garantizadas: el conjunto del carburador, el conjunto de la bobina, el rotor, la bujía, el filtro de aire, el filtro de combustible, el colector del respirador y las juntas.

Requisitos de mantenimiento

El propietario es responsable de realizar el mantenimiento necesario tal y como indica Hilti en el manual del propietario.

Limitaciones

La garantía de sistemas de control de emisiones no cubrirá lo siguiente: a) las reparaciones o las sustituciones que se deriven de un mal uso, una negligencia o un mantenimiento inadecuado, b) las reparaciones mal realizadas o las sustituciones no conformes con las especificaciones de Hilti que hayan afectado negativamente al rendimiento y la durabilidad, y las alteraciones o modificaciones no recomendadas ni aprobadas por escrito por Hilti, y c) la sustitución de piezas y otros servicios y ajustes necesarios para el mantenimiento durante y después del primer punto de sustitución programado. Salvo lo estipulado anteriormente, se aplican los términos de la garantía establecidos más adelante en la sección 12.

11.2 Garantía del fabricante

Hilti garantiza que reparará o cambiará cualquier pieza que contenga un defecto material y de mano de obra durante 20 años a partir de la fecha de compra original. Esta garantía se otorga a condición de que la herramienta sea utilizada, manejada, limpiada y revisada correctamente y de conformidad con el manual de instrucciones de Hilti, y de que el sistema técnico sea salvaguardado. Esto significa que se pueden utilizar en la herramienta exclusivamente consumibles, componentes y piezas de recambio originales de Hilti.

Esta garantía abarca la reparación o la sustitución gratuitas de las piezas defectuosas durante toda la vida útil de la herramienta. La garantía no cubre las piezas sometidas a un desgaste normal.

Quedan excluidas otras condiciones que no sean las expuestas, siempre que esta condición no sea contraria a las prescripciones nacionales vigentes. Hilti no acepta la responsabilidad especialmente relativa a deterioros, pérdidas o gastos directos, indirectos, accidentales o consecutivos, en relación con la utilización o a causa de la imposibilidad de utilización de la herramienta para cualquiera de sus finalidades. Quedan excluidas en particular todas las garantías tácitas relacionadas con la utilización y la idoneidad para una finalidad precisa.

Para cualquier reparación o sustitución, le rogamos que contacte con Hilti inmediatamente después de constatar el defecto en:

En EE. UU.:

800.879.8000

Hilti Inc.

7250 Dallas Parkway, Suite 1000

Plano, TX 75024

CS.InboundUS@hilti.com

En Canadá:

800.343.4458

Hilti (Canada) Corporation

2360 Meadowpine Blvd

Mississauga, ON L5N 6S2

CanadaSalesSupport.English@hilti.com

CanadaSalesSupport.French@hilti.com

Estas son las únicas obligaciones de Hilti en materia de garantía, las cuales anulan toda declaración anterior o contemporánea, del mismo modo que todos los acuerdos orales o escritos en relación con las garantías.





Hilti Corporation
LI-9494 Schaan
Tel.:+423 234 21 11
Fax:+423 234 29 65
www.hilti.com



2314851