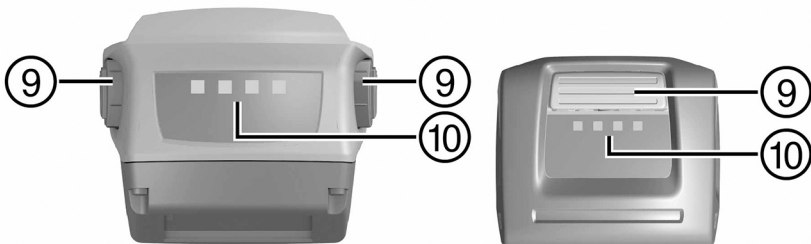
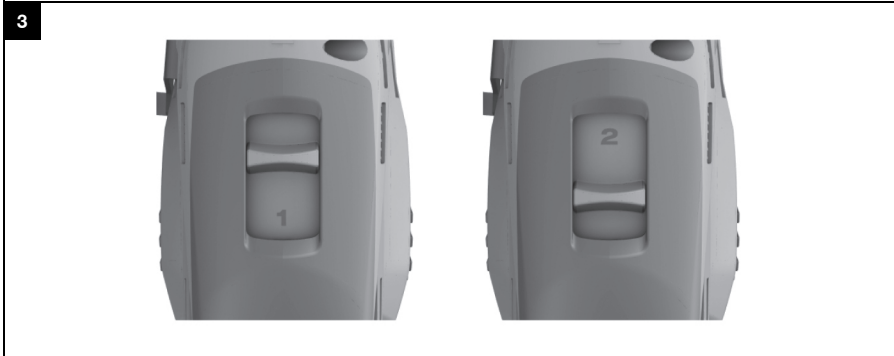
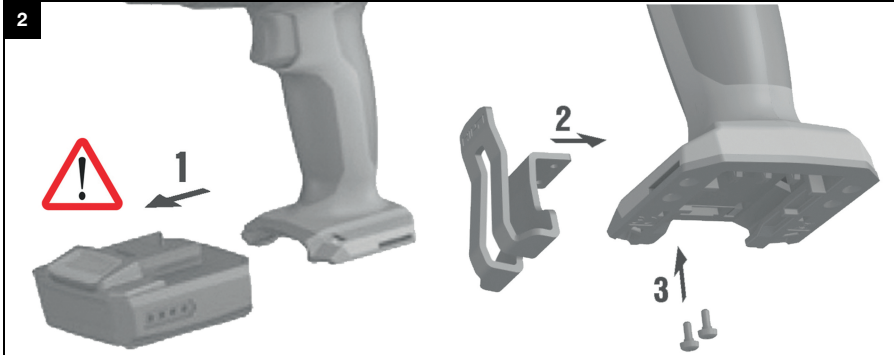




SFC 14-A
SFC 22-A

English	1
עברית	11





SFC 14-A

SFC 22-A

en	Original operating instructions	1
he	הוראות הפעלה מקוריות	11

Original operating instructions

1 Information about the documentation

1.1 About this documentation

- Read this documentation before initial operation or use. This is a prerequisite for safe, trouble-free handling and use of the product.
- Observe the safety instructions and warnings in this documentation and on the product.
- Always keep the operating instructions with the product and make sure that the operating instructions are with the product when it is given to other persons.

1.2 Explanation of symbols used

1.2.1 Warnings

Warnings alert persons to hazards that occur when handling or using the product. The following signal words are used:

DANGER

DANGER !

- ▶ Draws attention to imminent danger that will lead to serious personal injury or fatality.

WARNING

WARNING !

- ▶ Draws attention to a potential threat of danger that can lead to serious injury or fatality.

CAUTION

CAUTION !

- ▶ Draws attention to a potentially dangerous situation that could lead to slight personal injury or damage to the equipment or other property.

1.2.2 Symbols in the documentation

The following symbols are used in this document:

	Read the operating instructions before use.
	Instructions for use and other useful information
	Dealing with recyclable materials
	Do not dispose of electric equipment and batteries as household waste

1.2.3 Symbols in the illustrations

The following symbols are used in illustrations:

	These numbers refer to the corresponding illustrations found at the beginning of these operating instructions
	The numbering reflects the sequence of operations shown in the illustrations and may deviate from the steps described in the text
	Item reference numbers are used in the overview illustrations and refer to the numbers used in the product overview section
	This symbol is intended to draw special attention to certain points when handling the product.



1.3 Product-dependent symbols

1.3.1 Symbols on the product

The following symbols are used on the product:

	Drilling without hammer action
/min	Revolutions per minute
n_0	Rated speed under no load
==	Direct current (DC)
Li-Ion	Li-ion battery
	Hilti Li-ion battery type series used. Observe the information given in the section headed Intended use .
	The product supports wireless data transmission compatible with iOS and Android platforms.
	Never use the battery as a striking tool.
	Do not drop the battery. Never use a battery that has suffered an impact or is damaged in any other way.

1.4 Product information

products are designed for professional users and only trained, authorized personnel are permitted to operate, service and maintain the products. This personnel must be specifically informed about the possible hazards. The product and its ancillary equipment can present hazards if used incorrectly by untrained personnel or if used not in accordance with the intended use.

The type designation and serial number are printed on the rating plate.

- ▶ Write down the serial number in the table below. You will be required to state the product details when contacting Hilti Service or your local Hilti organization to inquire about the product.

Product information → page 2

Product information

Cordless drill / driver:	SFC 22-A SFC 14-A
Generation:	01
Serial no.:	

1.5 Declaration of conformity

We declare, on our sole responsibility, that the product described here complies with the applicable directives and standards. A copy of the declaration of conformity can be found at the end of this documentation.

The technical documentation is filed here:

Hilti Entwicklungsgesellschaft mbH | Tool Certification | Hiltistrasse 6 | 86916 Kaufering, Germany

2 Safety

2.1 General power tool safety warnings

WARNING

Read all safety warnings and all instructions. Failure to follow the warnings and instructions may result in electric shock, fire and/or serious injury.

Save all warnings and instructions for future reference.

Work area safety

- ▶ **Keep work area clean and well lit.** Cluttered or dark areas invite accidents.



- ▶ **Do not operate power tools in explosive atmospheres, such as in the presence of flammable liquids, gases or dust.** Power tools create sparks which may ignite the dust or fumes.
- ▶ **Keep children and bystanders away while operating a power tool.** Distractions can cause you to lose control.

Electrical safety

- ▶ **Avoid body contact with earthed or grounded surfaces, such as pipes, radiators, ranges and refrigerators.** There is an increased risk of electric shock if your body is earthed or grounded.
- ▶ **Do not expose power tools to rain or wet conditions.** Water entering a power tool will increase the risk of electric shock.

Personal safety

- ▶ **Stay alert, watch what you are doing and use common sense when operating a power tool. Do not use a power tool while you are tired or under the influence of drugs, alcohol or medication.** A moment of inattention while operating power tools may result in serious personal injury.
- ▶ **Use personal protective equipment. Always wear eye protection.** Protective equipment such as dust mask, non-skid safety shoes, hard hat, or hearing protection used for appropriate conditions will reduce personal injuries.
- ▶ **Prevent unintentional starting. Ensure the switch is in the off-position before connecting to battery pack, picking up or carrying the tool.** Carrying power tools with your finger on the switch or energising power tools that have the switch on invites accidents.
- ▶ **Remove any adjusting key or wrench before turning the power tool on.** A wrench or a key left attached to a rotating part of the power tool may result in personal injury.
- ▶ **Do not overreach. Keep proper footing and balance at all times.** This enables better control of the power tool in unexpected situations.
- ▶ **Dress properly. Do not wear loose clothing or jewellery. Keep your hair, clothing and gloves away from moving parts.** Loose clothes, jewellery or long hair can be caught in moving parts.
- ▶ **If devices are provided for the connection of dust extraction and collection facilities, ensure these are connected and properly used.** Use of dust collection can reduce dust-related hazards.

Power tool use and care

- ▶ **Do not force the power tool. Use the correct power tool for your application.** The correct power tool will do the job better and safer at the rate for which it was designed.
- ▶ **Do not use the power tool if the switch does not turn it on and off.** Any power tool that cannot be controlled with the switch is dangerous and must be repaired.
- ▶ **Disconnect the battery pack from the power tool before making any adjustments, changing accessories, or storing power tools.** Such preventive safety measures reduce the risk of starting the power tool accidentally.
- ▶ **Store idle power tools out of the reach of children and do not allow persons unfamiliar with the power tool or these instructions to operate the power tool.** Power tools are dangerous in the hands of untrained users.
- ▶ **Maintain power tools. Check for misalignment or binding of moving parts, breakage of parts and any other condition that may affect the power tool's operation. If damaged, have the power tool repaired before use.** Many accidents are caused by poorly maintained power tools.
- ▶ **Keep cutting tools sharp and clean.** Properly maintained cutting tools with sharp cutting edges are less likely to bind and are easier to control.
- ▶ **Use the power tool, accessories and tool bits etc. in accordance with these instructions, taking into account the working conditions and the work to be performed.** Use of the power tool for operations different from those intended could result in a hazardous situation.

Battery tool use and care

- ▶ **Recharge only with the charger specified by the manufacturer.** A charger that is suitable for one type of battery pack may create a risk of fire when used with another battery pack.
- ▶ **Use power tools only with specifically designated battery packs.** Use of any other battery packs may create a risk of injury and fire.
- ▶ **When battery pack is not in use, keep it away from other metal objects, like paper clips, coins, keys, nails, screws or other small metal objects, that can make a connection from one terminal to another.** Shorting the battery terminals together may cause burns or a fire.
- ▶ **Under abusive conditions, liquid may be ejected from the battery; avoid contact. If contact accidentally occurs, flush with water. If liquid contacts eyes, additionally seek medical help.** Liquid ejected from the battery may cause irritation or burns.



Service

- ▶ **Have your power tool serviced by a qualified repair person using only identical replacement parts.** This will ensure that the safety of the power tool is maintained.

2.2 Drill safety warnings

- ▶ **Use auxiliary handle(s), if supplied with the tool.** Loss of control can cause personal injury.
- ▶ **Hold power tool by insulated gripping surfaces, when performing an operation where the cutting accessory may contact hidden wiring.** Cutting accessory contacting a "live" wire may make exposed metal parts of the power tool "live" and could give the operator an electric shock.

2.3 Additional safety precautions for screwdrivers**Personal safety**

- ▶ Use the product only when it is in perfect working order.
- ▶ Never tamper with or modify the tool in any way.
- ▶ Use the auxiliary grips supplied with the power tool. Loss of control can cause personal injury.
- ▶ Always hold the tool firmly with both hands on the grips provided. Keep the grips clean and dry.
- ▶ Do not touch rotating parts – risk of injury!
- ▶ Wear suitable protective glasses, a hard hat, ear protection, protective gloves and light respiratory protection while using the power tool.
- ▶ Wear protective gloves also when changing the tool. Touching the accessory tool can result in cuts and burns.
- ▶ Wear eye protection. Flying fragments can injure the body and eyes.
- ▶ Before starting work, check the hazard class of the dust that will be produced when working. Use an industrial vacuum cleaner with an officially approved protection class in compliance with the locally applicable dust protection regulations. Dust from materials such as lead-based paint, certain types of wood and concrete/masonry/stone containing quartz, minerals or metal can be harmful to health.
- ▶ Make sure that the workplace is well ventilated and, where necessary, wear a respirator appropriate for the type of dust generated. Contact with or inhalation of the dust may cause allergic reactions and/or respiratory or other diseases among operators or bystanders. Certain kinds of dust are classified as carcinogenic such as oak and beech dust, especially in conjunction with additives for wood conditioning (chromate, wood preservative). Only specialists are permitted to handle material containing asbestos.
- ▶ Take breaks and do physical exercises to improve the blood circulation in your fingers. Exposure to vibration during long periods of work can lead to disorders of the blood vessels and nervous system in the fingers, hands and wrists.

Electrical safety

- ▶ Before beginning work, check the working area for concealed electric cables or gas and water pipes. External metal parts of the power tool may give you an electric shock if you damage an electric cable accidentally.

Power tool use and care

- ▶ Immediately switch off the power tool if the accessory tool jams. The power tool might twist off-line.
- ▶ Wait until the power tool stops completely before you lay it down.

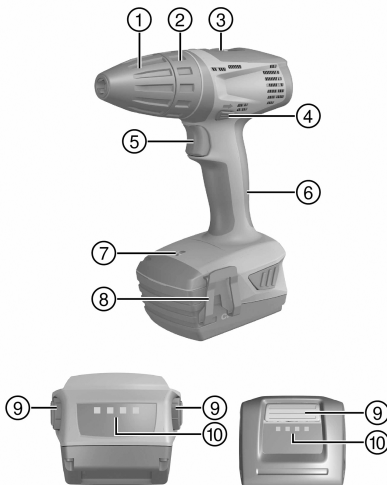
2.4 Battery use and care

- ▶ Observe the special regulations and instructions applicable to the transport, storage and use of Li-ion batteries.
- ▶ Do not expose batteries to high temperatures, direct sunlight or fire.
- ▶ Do not disassemble, crush or incinerate batteries and do not subject them to temperatures over 80 °C.
- ▶ Do not use or charge batteries that have suffered mechanical impact, have been dropped from a height or show signs of damage. In this case, always contact your **Hilti Service**.
- ▶ If the battery is too hot to touch it may be defective. In this case, place the product in a non-flammable location, well away from flammable materials, where it can be kept under observation and allowed to cool down. In this case, always contact your **Hilti Service**.



3 Description

3.1 Overview



- ① Keyless chuck
- ② Torque and drilling mode selector ring
- ③ 2-speed gear selector switch
- ④ Forward / reverse selector switch with safety lock
- ⑤ Control switch (with electronic speed control)
- ⑥ Grip
- ⑦ Lamp
- ⑧ Belt hook (optional)
- ⑨ Release buttons with additional function (charge status display activation)
- ⑩ Charge state and fault display (Li-ion battery)

3.2 Intended use

The product described is a hand-held cordless drill/driver. It is designed for driving and removing screws and for drilling in steel, wood and plastic.

- ▶ Use only **Hilti** Li-ion batteries of the B 14 and B22 series with this product.
- ▶ Use only **Hilti** battery chargers of the C4/36 series for charging these batteries.

3.3 Charge status display

The charge status of the Li-ion battery is displayed after pressing the release button.

Status	Meaning
4 LEDs light up.	Charge status: 75 % to 100 %
3 LEDs light up.	Charge status: 50 % to 75 %
2 LEDs light up.	Charge status: 25 % to 50 %
1 LED lights up.	Charge status: 10 % to 25 %
1 LED blinks.	Charge status: < 10 %



Battery charge status cannot be displayed while the control switch is pressed.

3.4 Items supplied

Drill / driver, operating instructions.

- You can find other system products approved for use with your product at your local **Hilti** Center or online at: www.hilti.group.



440881

4 Technical data

4.1 Technical data

	SFC 14-A	SFC 22-A
Rated voltage	14.4 V	21.6 V
Weight in accordance with EPTA procedure 01	1.5 kg	2.4 kg
Speed in 1st gear	0 /min ... 500 /min	0 /min ... 600 /min
Speed in 2nd gear	0 /min ... 1,700 /min	0 /min ... 1,800 /min
Torque (max.)	24 Nm	28 Nm
Torque range (15 settings)	1.5 Nm ... 10 Nm	1.5 Nm ... 10 Nm

4.2 Battery

Battery operating voltage	14.4 V
Ambient temperature for operation	-17 °C ... 60 °C
Storage temperature	-20 °C ... 40 °C
Battery charging starting temperature	-10 °C ... 45 °C

4.3 Battery

Battery operating voltage	21.6 V
Ambient temperature for operation	-17 °C ... 60 °C
Storage temperature	-20 °C ... 40 °C
Battery charging starting temperature	-10 °C ... 45 °C

4.4 Noise information and vibration values in accordance with EN 60745

The sound pressure and vibration values given in these instructions were measured in accordance with a standardized test and can be used to compare one power tool with another. They can also be used for a preliminary assessment of exposure. The data given represents the main applications of the power tool. However, if the power tool is used for different applications, with different accessory tools, or is poorly maintained, the data can vary. This can significantly increase exposure over the total working period. An accurate estimation of exposure should also take into account the times when the tool is switched off, or when it is running but not actually being used for a job. This can significantly reduce exposure over the total working period. Identify additional safety measures to protect the operator from the effects of noise and/or vibration, for example: Maintaining the power tool and accessory tools, keeping the hands warm, organization of work patterns.

Noise emission values

	SFC 14-A	SFC 22-A
Emission sound pressure level (L_{pA})	69 dB(A)	69 dB(A)
Uncertainty for the sound pressure level (K_{pA})	3 dB(A)	3 dB(A)
Sound (power) level	80 dB(A)	80 dB(A)
Uncertainty for the sound power level (K_{WA})	3 dB(A)	3 dB(A)

Total vibration

	SFC 14-A	SFC 22-A
Vibration emission value for screwdriving (a_n)	< 2 m/s ²	< 2 m/s ²
Uncertainty for screwdriving (K)	1.5 m/s ²	1.5 m/s ²
Drilling in metal ($a_{n,d}$)	2.67 m/s ²	2.67 m/s ²
Uncertainty for drilling in metal (K)	1.5 m/s ²	1.5 m/s ²



5 Preparations at the workplace

CAUTION

Risk of injury by inadvertent starting!

- ▶ Before inserting the battery, make sure that the product is switched off.
- ▶ Remove the battery before making any adjustments to the power tool or before changing accessories.

Observe the safety instructions and warnings in this documentation and on the product.

5.1 Charging the battery

1. Before charging the battery, read the operating instructions for the charger.
2. Make sure that the contacts on the battery and the contacts on the charger are clean and dry.
3. Use an approved charger to charge the battery.

5.2 Inserting the battery

CAUTION

Risk of injury by short circuit or falling battery!

- ▶ Before inserting the battery, make sure that the contacts on the battery and the contacts on the product are free of foreign matter.
- ▶ Make sure that the battery always engages correctly.

1. Charge the battery fully before using it for the first time.
2. Push the battery into the battery holder until it engages with an audible click.
3. Check that the battery is seated securely.

5.3 Removing the battery

1. Press the battery release buttons.
2. Remove the battery from the tool.

5.4 Fitting the belt hook (optional)

WARNING

Risk of injury. A falling power tool may present a risk of injury to yourself and others.

- ▶ Check that the belt hook is fitted securely before beginning work.



The belt hook allows the power tool to be attached to a belt worn by the operator. The belt hook can be fitted to allow attachment on the left or right side of the body.

- ▶ Fit the belt hook.

5.5 Fitting the accessory tool

1. Set the forward/reverse switch to the middle position or remove the battery from the power tool.
2. Check that the connection end of the accessory tool is clean. Clean the connection end if necessary.
3. Open the keyless chuck.
4. Insert the accessory tool into the keyless chuck and then turn the chuck firmly by hand until tight and several clicks are heard.
5. Check that the accessory tool is held securely.

6 Operation

Observe the safety instructions and warnings in this documentation and on the product.

6.1 Selecting the gear

- ▶ Select the gear.




440881

English

7


6.2 Setting forward or reverse rotation

-  An interlock prevents switching while the motor is running.
The control switch is locked when the forward/reverse switch is in the middle position (safety lock).

- ▶ Set the forward/reverse switch to the desired direction of rotation.

6.3 Switching on


- ▶ Press the control switch.

-  Speed can be controlled steplessly right up to maximum by varying how far the control switch is pressed in.

6.4 Screwdriving

1. Set the torque and operating mode selector ring to the required torque.
2. Set the forward/reverse switch to the desired direction of rotation.

6.5 Drilling

1. Set the torque and operating mode selector ring to the  symbol.
2. Set the forward/reverse switch to the “forward” position.

6.6 Switching off

- ▶ Release the control switch.

6.7 Removing the accessory tool

1. Set the forward/reverse switch to the middle position or remove the battery from the power tool.
2. Open the keyless chuck.
3. Pull the accessory tool out of the keyless chuck.

7 Care and maintenance

WARNING

Risk of injury with battery inserted !

- ▶ Always remove the battery before carrying out care and maintenance tasks!

Care and maintenance of the tool

- Carefully remove stubborn dirt.
- Clean the air vents carefully with a dry brush.
- Use only a slightly damp cloth to clean the casing. Do not use cleaning agents containing silicone as these can attack the plastic parts.

Care of the Li-ion batteries

- Keep the battery free from oil and grease.
- Use only a slightly damp cloth to clean the casing. Do not use cleaning agents containing silicone as these may attack the plastic parts.
- Avoid ingress of moisture.

Maintenance

- Check all visible parts and controls for signs of damage at regular intervals and make sure that they all function correctly.
- Do not operate the product if signs of damage are found or if parts malfunction. Have it repaired immediately by **Hilti Service**.
- After cleaning and maintenance, fit all guards or protective devices and check that they function correctly.





To help ensure safe and reliable operation, use only genuine Hilti spare parts and consumables. Spare parts, consumables and accessories approved by Hilti for use with the product can be found at your local **Hilti Store** or online at: www.hilti.group.

8 Transport and storage of cordless tools

Transport

CAUTION

Accidental starting during transport !

- ▶ Always transport your products with the batteries removed!
- ▶ Remove the battery.
- ▶ Never transport batteries in bulk form (loose, unprotected).
- ▶ Check the tool and batteries for damage before use after long periods of transport.

Storage

CAUTION

Accidental damage caused by defective or leaking batteries !

- ▶ Always store your products with the batteries removed!
- ▶ Store the tool and batteries in a place that is as cool and dry as possible.
- ▶ Never store batteries in direct sunlight, on heating units or behind a window pane.
- ▶ Store the tool and batteries in a place where they cannot be accessed by children or unauthorized persons.
- ▶ Check the tool and batteries for damage before use after long periods of storage.

9 Troubleshooting

9.1 Troubleshooting

If the trouble you are experiencing is not listed in this table or you are unable to remedy the problem by yourself, please contact **Hilti Service**.

Trouble or fault	Possible cause	Action to be taken
The power tool does not work.	The battery is not fully inserted.	▶ Push the battery in until it engages with an audible double click.
	Low battery.	▶ Change the battery and charge the empty battery.
	Electrical fault.	▶ Remove the battery from the tool and contact Hilti Service .
The power tool does not work and one LED flashes.	Low battery.	▶ Change the battery and charge the empty battery.
	The battery is too hot or too cold.	▶ Bring the battery to the recommended operating temperature.
The on/off button cannot be pressed, i.e. the button is locked.	The forward/reverse selector switch is in the middle position.	▶ Push the forward/reverse switch to the left or right.
LED 1 flashes	Low battery.	▶ Change the battery and charge the empty battery.
	The tool is overloaded (application limits exceeded).	▶ Pay attention to the power and performance rating of the product before using it, i.e. check its suitability for the job on hand. See the "Technical data" section.
The battery runs down more quickly than usual.	Very low ambient temperature.	▶ Allow the battery to warm up slowly to room temperature.



Trouble or fault	Possible cause	Action to be taken
The battery does not engage with an audible double click.	The retaining lugs on the battery are dirty.	▶ Clean the retaining lugs and push the battery in until it engages. Contact Hilti Service if the problem persists.

10 Disposal

Most of the materials from which **Hilti** tools and appliances are manufactured can be recycled. The materials must be correctly separated before they can be recycled. In many countries, your old tools, machines or appliances can be returned to **Hilti** for recycling. Ask **Hilti** Service or your Hilti representative for further information.

Battery disposal

Improper disposal of batteries can result in health hazards from leaking gases or fluids.

- ▶ DO NOT send batteries through the mail!
- ▶ Cover the terminals with a non-conductive material (such as electrical tape) to prevent short circuiting.
- ▶ Dispose of your battery out of the reach of children.
- ▶ Dispose of the battery at your **Hilti Store**, or consult your local governmental garbage disposal or public health and safety resources for disposal instructions.



- ▶ Do not dispose of power tools, electronic equipment or batteries as household waste!

11 China RoHS (guideline on restriction of the use of dangerous substances)

The following links take you to the table of dangerous substances: qr.hilti.com/r4793 (SFC 14-A) and qr.hilti.com/r4833 (SFC 22-A).

You will find a link to the RoHS table, in the form of a QR code, at the end of this document.

12 Manufacturer's warranty

- ▶ Please contact your local **Hilti** representative if you have questions about the warranty conditions.



הוראות הפעלה מקוריות

1 נתונים על התיעוד

1.1 על אודות תיעוד זה

- קרא את תיעוד זה במלואו לפני השימוש הראשון. רק כך ניתן להבטיח עבודה בטוחה ונטולת תקלות.
- ציית להוראות הבטיחות והאזהרות שבתיעוד זה ולאלה המצוינות על המוצר.
- שמור את הוראות ההפעלה תמיד בצמוד למוצר, והקפד להעביר אותן לאדם שאליו אתה מעביר את המוצר.

1.2 הסבר הסימנים

1.2.1 אזהרות

האזהרות מזהירות מפני סכנות בשימוש במוצר. במדריך זה מופיעות מילות המפתח הבאות:

סכנה

סכנה!

מציינת סכנה מיידית, המובילה לפציעות גוף קשות או למוות.

אזהרה

אזהרה!

מציינת סכנה אפשרית, שיכולה להוביל לפציעות גוף קשות או למוות.

זהירות

זהירות!

מציינת מצב שעלול להיות מסוכן ולהוביל לפציעות או לנזקים לרכוש.

1.2.2 סמלים במסמך זה

הסמלים הבאים מופיעים בתיעוד זה:

קרא את הוראות ההפעלה לפני השימוש	
הנחיות לשימוש ומידע שימושי נוסף	
טיפול נכון בחומרים למיחזור	
אין להשליך לפסולת הביתית מכשירים חשמליים וסוללות	

1.2.3 סמלים באיורים

הסמלים הבאים משמשים באיורים:

מספרים אלה מפנים לאיור המתאים בתחילת חוברת ההוראות	
המספרים באיורים משקפים את רצף הפעולות, והם עשויים להיות שונים מרצף הפעולות המצוינות בטקסט	3
מספרי הפריטים מופיעים באיור סקירה ותואמים את המספרים במקרא בפרק סקירת המוצר	
סימן זה אמור לעורר את תשומת לבך המיוחדת בעת השימוש במוצר.	

1.3 סמלים ספציפיים למוצר

1.3.1 סמלים על המוצר

הסמלים הבאים מופיעים על המוצר:

קידוח ללא הלימה	
סיבובים לדקה	/min



440881

עברית

11

n_0	מהירות סרק נקובה
==	זרם ישר
Li-Ion	סוללת ליתיום-יון
	סדרת דגמי סוללות ליתיום-יון של Hilti שבשימוש. שים לב לנתונים בפרק שימוש בהתאם לייעוד.
	המכשיר תומך בתעבורת נתונים אלחוטית, המתאימה לשימוש עם פלטפורמות iOS ו-Android.
	לעולם אין להשתמש בסוללה כפטיש.
	אין להפיל את הסוללה. אין להשתמש בסוללה שנחבטה או שניזוקה באופן אחר.

1.4 פרטי המוצר

המוצרים של מיועדים למשתמש המקצועי, ורק אנשים מורשים, שעברו הכשרה מתאימה, רשאים לתפעל, לתחזק ולתקן אותם. אנשים אלה חייבים ללמוד באופן מיוחד את הסכנות האפשריות. המוצר המתואר והעזרים שלו עלולים להיות מסוכנים כאשר אנשים שלא עברו הכשרה מתאימה משתמשים בהם באופן לא מקצועי או כאשר משתמשים בהם שלא בהתאם לייעוד. שם הדגם והמספר הסיידורי מצוינים על לוחית הדגם.

רשום את המספר הסיידורי בטבלה הבאה. בכל פנייה לנציגינו או למעבדת שירות יש לציין את נתוני המוצר. נתוני המוצר – עמוד 12

נתוני המוצר

SFC 22-A SFC 14-A	מקדחה-מברגה נטענת:
01	דור:
	מס' סיידורי:

1.5 הצהרת תאימות

אנו מצהירים באחריותנו הבלעדית כי המוצר המתואר כאן תואם את התקנות והתקנים התקפים. בסוף תיעוד זה ישנו צילום של הצהרת התאימות.

התיעוד הטכני שמור כאן:

Hilti Entwicklungsgesellschaft mbH | Zulassung Geräte | Hiltistraße 6 | 86916 Kaufering, DE

2 ביטחות

2.1 הוראות ביטחות כלליות לכלי עבודה חשמליים

⚠ אזהרה! קרא את כל ההנחיות והוראות הביטחות. אי ציות להוראות הביטחות ולהנחיות עלול להוביל להתחשמלות, לשרפה ו/או לפציעות קשות.

שמור את כל הוראות הביטחות וההנחיות לעיון בעתיד.

ביטחות במקום העבודה

שמור על אזור העבודה שלך נקי ודאג לתאורה מספקת. חוסר סדר או תאורה לקויה במקום העבודה עלולים לגרום לתאונות.

אין להפעיל את כלי העבודה החשמלי בסביבה שקיימת בה סכנת פיצוץ או שיטת בה נדללים, גזים או אבק דליקים. כלי עבודה חשמליים יוצרים ניצוצות, שעלולים להצית את האבק או האדים.

הרחק ילדים ואנשים אחרים מכלי העבודה החשמלי במהלך השימוש בו. אם דעתך תוסח אתה עלול לאבד את השליטה במכשיר.

ביטחות בחשמל

מנע מגע של הגוף במשטחים מוארים, כגון צינורות, גופי חימום, תנורים ומקררים. קיימת סכנה גבוהה להתחשמלות כאשר הגוף שלך מוארק.

הרחק כלי עבודה חשמליים מגשם או רטיבות. חדירת מים לכלי העבודה החשמלי מגדילה את הסיכון להתחשמלות.



בטיחות של אנשים

- ◀ היה ערני, שים לב למה שאתה עושה, ופעל בתבונה כאשר אתה עובד עם כלי עבודה חשמלי. אל תפעיל כלי עבודה חשמליים כשאתה עייף או תחת השפעת סמים, אלכוהול או תרופות. די ברגע אחד של חוסר תשומת-לב בדמן השימוש בכלי העבודה החשמלי כדי לגרום פציעות קשות.
- ◀ **לבש תמיד ציוד מגן ומשקפי מגן.** לבישת ציוד מגן אישי, כגון מסכת אבק, נעלי בטיחות מונעות החלקה, קסדת מגן או מגני שמייה – בהתאם לסוג השימוש בכלי העבודה החשמלי – מקטינה את הסיכון לפציעות.
- ◀ **מנע הפעלה בשוגג.** לפני שאתה מחבר את הסוללה, מרים או נושא את כלי העבודה החשמלי ודא שהוא כבוי. אל תניח את אצבעך על המתג בדמן שאתה נושא את המכשיר ואל תחבר אותו לאספקת החשמל כאשר הוא מופעל, אחרת עלולות להיגרם תאונות.
- ◀ **הרחק כלי כוונון או מפתחות ברגים לפני שאתה מפעיל את כלי העבודה החשמלי.** כלי עבודה או מפתחות הנמצאים ברקבת חלקים מסתובבים עלולים לגרום פציעות.
- ◀ **הימנע מתנוחות גוף לא נכונות.** עמוד באופן יציב ושומר תמיד על שיווי משקל. כך תוכל לשלוט טוב יותר בכלי העבודה החשמלי במצבים לא צפויים.
- ◀ **לבש בגדים מתאימים.** אל תלבש בגדים רחבים או תכשיטים. הרחק את השער, הבגדים וכפפות מחלקים נעים. בגדים רופפים, תכשיטים ושיער ארוך עלולים להיתפס בחלקים נעים.
- ◀ **כאשר ניתן להתקין התקני שאיבת אבק ולכידה יש לוודא שהם מחוברים לחשמל, ויש להקפיד להשתמש בהם בצורה נכונה.** שימוש בהתקן שאיבת אבק מקטין את הסכנות הנובעות מהאבק.

שימוש וטיפול בכלי העבודה החשמלי

- ◀ **אל תפעיל עומס רב מדי על המכשיר.** השתמש בכלי העבודה החשמלי המתאים לעבודה שאתה מבצע. כלי העבודה החשמלי המתאים מבטיח לך עבודה טובה ובטוחה יותר בתחום ההספק הקבוע.
- ◀ **אל תשתמש בכלי העבודה אם המתג שלו אינו תקין.** כלי עבודה חשמלי שלא ניתן עוד להפעיל או לכבות אותו מהווה סכנה ויש לתקנו.
- ◀ **לפני ביצוע כוונים במכשיר, החלפת אביזר או אפסון המכשיר הקפד להסיר את הסוללה.** אמצעי זהירות זה מונע הפעלה בשוגג של כלי העבודה החשמלי.
- ◀ **שמור כלי עבודה חשמליים שאינם בשימוש הרחק מהישג ידם של ילדים.** אל תאפשר לאנשים שאינם יודעים כיצד להשתמש במכשיר או שלא קראו את ההוראות להשתמש במכשיר. כלי עבודה חשמליים הם מסוכנים כאשר משתמשים בהם אנשים חסרי ניסיון.
- ◀ **טפל בכלי העבודה החשמלי בקפדנות.** בדוק אם החלקים הנעים פועלים בצורה חלקה ואינם נתקעים, אם ישנם חלקים שבורים או חלקים המושכים את הפעולה התקינה של כלי העבודה החשמלי. לפני השימוש במכשיר דאג לתיקון חלקים לא תקינים. תאונות רבות נגרמו עקב תחזוקה לקויה של כלי עבודה חשמליים.
- ◀ **שמור על כלי החיתוך חדים ונקיים.** כלי חיתוך מטופלים היטב, שלהביהם חדים נתקעים פחות וקלים יותר לתפעול.
- ◀ **השתמש בכלי העבודה החשמלי, באביזרים, בכלי העבודה הנוספים וכן הלאה בהתאם להוראות אלה.** התחשב בתנאי העבודה ובפעולה שעליך לבצע. שימוש בכלי העבודה החשמלי למטרות אחרות מאלה שלשמן הוא מיועד עלול להיות מסוכן.

שימוש וטיפול בכלי עבודה נטענים

- ◀ **טען את הסוללות רק במטענים שהומלצו על ידי היצרן.** טעינה של סוללה במטען המיועד לטעינה של סוללות מסוג אחר עלולה לגרום לשרפה.
- ◀ **השתמש לשם כך רק בסוללות המתאימות לכלי העבודה החשמלי.** שימוש בסוללות אחרות עלול לגרום לשרפות.
- ◀ **שמור סוללות שאינן בשימוש הרחק ממהדקי נייר משרדיים, ממטבעות, מפתחות, מסמרים, ברגים או חפצים מתכתיים קטנים אחרים שיכולים לגשר בין המגעים.** קצר בין מגעי הסוללה עלול לגרום לכוויות או לשרפה.
- ◀ **שימוש שגוי עלול לגרום לדליפת נוזלים מהסוללה.** אל תיגע בנוזלים אלה. נוזל סוללות שדלף עלול לגרום לגירויים בעור ולכוויות. אם נגעת בו במקרה, שטוף את האזור במים. אם הנוזל מוגע בעיניים, פנה לרופא.

שירות

- ◀ **דאג לתיקון כלי העבודה החשמלי שלך רק בידי טכנאים מוסמכים, המשתמשים בחלקי חילוף מקוריים בלבד.** כך תבטיח שמירה על בטיחות העבודה במכשיר.

2.2 הנחיות בטיחות למקדחות

- ◀ **השתמש בידיית האחידה הנוספות המצורפות למכשיר.** אובדן השליטה במכשיר עלול לגרום לפציעות.
- ◀ **כאשר אתה מבצע עבודות שבהן כלי העבודה עלול לפגוע בקווי חשמלי מוסתרים אחוז במכשיר במקומות האחידה המבודדים.** מגע בקווים המוליכים זרם עלול להעביר זרם גם לחלקים מתכתיים במכשיר שלך ולגרום להתחשמלות.

2.3 הוראות בטיחות נוספות למברגות

בטיחות של אנשים

- ◀ השתמש במוצר רק בתנאי שהוא נמצא במצב סכני מושלם.
- ◀ אל תבצע בשום אופן מניפולציות או שינויים במכשיר.
- ◀ השתמש בידיית האחידה הנוספות המצורפות למכשיר. אובדן השליטה במכשיר עלול לגרום לפציעות.
- ◀ אחוז את המכשיר היטב תמיד בשתי ידיים האחידה שלו. שמור על ידיית האחידה נקיות ויבשות.



- ◀ אין לגעת בחלקים מסתובבים - סכנת פציעה!
- ◀ במהלך השימוש במכשיר יש ללבוש משקפי מגן, קסדת מגן, מגני שמיעה וכפפות הגנה כמו גם מסכת נשימה קלה.
- ◀ לנש כפפות בטיחות גם בעת החלפת כלי. מגע בכלי עלול לגרום לפציעות ולכוויות.
- ◀ השתמש במגני עיניים. שבבי חומר שניתזים עלולים לפצוע את הגוף והעיניים.
- ◀ בדוק לפני תחילת העבודה את דירוג הסכנה של אבק החומר שבו תעבוד. השתמש בשואב אבק מקצועי בעל דירוג הגנה מאושר, התואם את תקנות החוק הנוגעות להגנה מאבק. אבק של חומרים דוגמת צבעים המכילים עופרת, סוגי עץ מסוימים, בטון / קירות / אבנים המכילות קורן ומינרלים כגון מתכת עלולים להזיק לבריאות.
- ◀ דאג לאוורור טוב במקום העבודה, ובמקרה הצורך לנש גם מסכת נשימה המתאימה לסוג האבק שבו אתה עובד. נגיעה בסוגי אבק אלה או שאיפתם עלולה לגרום לתגובות אלרגיות ו/או למחלות בכלי הנשימה של המשתמש או של אנשים הנמצאים בקרבת מקום. סוגי אבק מסוימים, כגון אבק של אלון או בוק, נחשבים מסרטנים, במיוחד בשילוב עם חומרים אחרים המשמשים לטיפול בעץ (כרוםט, חומר הגנה לעץ). רק מומחים ראשיים לעבוד בחומרים המכילים אסבסט.
- ◀ ערוך הפסקות בעבודה ותרגילים לשיפור זרימת הדם לאצבעות. הרעיות מהמכשיר עשויות לאחר עבודה ממושכת לגרום להפרעות בכלי הדם או במערכת העצבים של האצבעות, כפות הידיים או שורשי כף היד.

בטיחות בחשמל

- ◀ לפני תחילת העבודה יש לבדוק אם ישנם כבלי חשמל, צינורות גז או מים נסתרים. חלקים מתכתיים חיצוניים במכשיר יכולים לגרום להתחשמלות כאשר הם נוגעים בשוגג בקווי חשמל.

טיפול ושימוש קפדניים בכלי עבודה חשמליים

- ◀ אם הכלי נחטם יש לכבות מיד את המכשיר. המכשיר עשוי לסטות הצדה.
- ◀ המתן עד לעצירה מלאה של כלי העבודה החשמלי לפני שאתה מניח אותו.

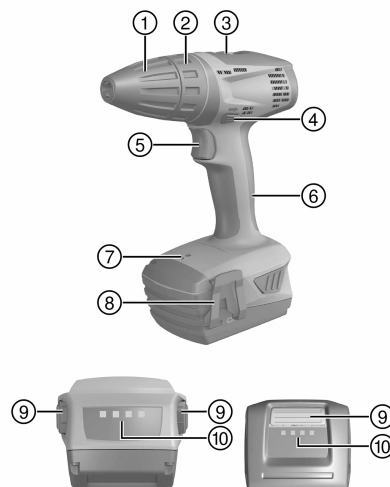
2.4 טיפול ושימוש קפדניים בסוללות נטענות

- ◀ ציית לתקנות הנוגעות להובלה, אחסון והפעלה של סוללות נטענות מסוג ליתיום-יון.
- ◀ הרחק את הסוללות ממקומות חמים מאוד, מקרינת שמש ישירה ומאש.
- ◀ אין לפרק, למעוך, לחמם לטמפרטורה גבוהה מ-80°C או לשרוף את הסוללות הנטענות.
- ◀ אין להשתמש או לטעון סוללות שקיבלו מכה, שפכלו מגובה גבוה ממטר או שניזקו באופן אחר. במקרה כזה יש ליצור קשר עם השרות של Hilti.
- ◀ אם הסוללה חמה כל כך שלא ניתן לגעת בה, ייתכן שהיא אינה תקינה. העמד את המוצר במקום לא דליק במרחק מספיק מחומרים דליקים, כך שתוכל להשיג את הסוללה, ואפשר לה להתקרר. במקרה כזה יש ליצור קשר עם השרות של Hilti.

3 תיאור

3.1 סקירה

- ① תפסנית מהירה
- ② טבעת לקביעת מומנט הפיתול ולקידוח
- ③ מתג שני הילוכים
- ④ מתג כיוון סיבוב עם חסימת הפעלה
- ⑤ מתג הפעלה (עם בקרת מהירות סיבוב אלקטרונית)
- ⑥ ידית אחיזה
- ⑦ מנורה
- ⑧ תפס לחגורה (אופציונלי)
- ⑨ לחצני שחרור עם פונקציה נוספת של חייוי רמת טעינה
- ⑩ חייוי רמת טעינה ותקלות (סוללת ליתיום-יון)



3.2 שימוש בהתאם ליעוד

המוצר המתואר זו מקדחה/מברגה ידנית המופעלת באמצעות סוללה נטענת. היא מיועדת להחדרה ולשחרור של ברגים ולקידוח בפלדה, בעץ ובפלסטיק.



- השתמש עבור מוצר זה רק בסוללות ליתיום-יון של Hilti מסדרת הדגמים B14 ו-B22.
- השתמש עבור סוללה זו רק במטענים של Hilti מהסדרה C4/36.

3.3 חיויי רמת טעינה

לאחר לחיצה על לחצן השחרור תוצג רמת הטעינה של סוללת הליתיום-יון.

משמעות	מצב
רמת טעינה: 75% עד 100%	4 נוריות מאירות.
רמת טעינה: 50% עד 75%	3 נוריות מאירות.
רמת טעינה: 25% עד 50%	2 נוריות מאירות.
רמת טעינה: 10% עד 25%	נורית 1 מאירה.
רמת טעינה: > 10%	נורית 1 מהבהבת.

כאשר מתג ההפעלה לחוץ לא ניתן לברר את רמת הטעינה.



3.4 מפרט אספקה

מברגה-מקדחה, הוראות הפעלה

- מוצרי עדן נוספים המאושרים עבור המוצר שלך תמצא במרכז Hilti או באינטרנט בכתובת: www.hilti.group.

4 נתונים טכניים

4.1 נתונים טכניים

SFC 22-A	SFC 14-A	
21.6 וולט	14.4 וולט	מתח נקוב
2.4 ק"ג	1.5 ק"ג	משקל בהתאם להליך EPTA 01
0 סל"ד ... 600 סל"ד	0 סל"ד ... 500 סל"ד	מהירות סיבוב הילוך 1
0 סל"ד ... 1,800 סל"ד	0 סל"ד ... 1,700 סל"ד	מהירות סיבוב הילוך 2
28 ניוטון-מ'	24 ניוטון-מ'	מומנט פיתול (מקס')
1.5 ניוטון-מ' ... 10 ניוטון-מ'	1.5 ניוטון-מ' ... 10 ניוטון-מ'	קביעת מומנט פיתול (15 דרגות)

4.2 סוללה

14.4 וולט	מתח עבודה עם סוללה נטענת
60 °C ... -17 °C	טמפרטורת סביבה בעבודה
40 °C ... -20 °C	טמפרטורת אחסון
45 °C ... -10 °C	טמפרטורת הסוללה בתחילת הטעינה

4.3 סוללה

21.6 וולט	מתח עבודה עם סוללה נטענת
60 °C ... -17 °C	טמפרטורת סביבה בעבודה
40 °C ... -20 °C	טמפרטורת אחסון
45 °C ... -10 °C	טמפרטורת הסוללה בתחילת הטעינה

4.4 ערכי רעשים לפי EN 60745

ערכי לחץ הקול והרעידות המצוינים בהוראות אלה נמדדו בהתאם לנוהל המדידה התקני, וניתן להשתמש בהם לצורך השוואה בין כלי עבודה חשמליים. הם מתאימים גם להערכה זמנית של העומסים. הנתונים המצוינים תקפים לשימושים העיקריים בכלי העבודה החשמלי. אולם אם משתמשים בכלי העבודה החשמלי לשימושים אחרים, בשילוב אביזרים אחרים או אם המכשיר אינו עובר תחזוקה מספקת הנתונים עשויים להשתנות. בעקבות זאת העומסים למשך זמן העבודה כולו עלולים להיות גבוהים באופן משמעותי. לצורך הערכה מדויקת של העומסים יש לקחת בחשבון גם את הזמנים שבהם המכשיר כבוי או שבהם הוא אמנם



פועל אך אינו בשימוש בפועל. בעקבות זאת פריסת העומסים למשך זמן העבודה כולו עשויה להיות נמוכה באופן משמעותי. יש לקבוע הנחיות בטיחות נוספות להגנה על המשתמש מפני ההשפעות של קול ו/או רעידות, כגון: תחזוקה של כלי העבודה החשמלי ושל כלי העבודה המחבוריים, שמירה על ידיים חמות, ארגון תהליכי העבודה.

ערכי רעש

SFC 22-A	SFC 14-A	
69 dB(A)	69 dB(A)	רמת לחץ קול (L_{pA})
3 dB(A)	3 dB(A)	אי-ודאות ברמת לחץ קול (K_{pA})
80 dB(A)	80 dB(A)	רמת הספק קול
3 dB(A)	3 dB(A)	אי-ודאות ברמת הספק הקול (K_{WA})

ערכי רעידות כוללים

SFC 22-A	SFC 14-A	
$2 > \text{מ}^2/\text{שני}^2$	$2 > \text{מ}^2/\text{שני}^2$	ערך פליטת רעידות בהברגה (a_{h1})
1.5 מ"שני ²	1.5 מ"שני ²	אי-ודאות בהברגה (K)
2.67 מ"שני ²	2.67 מ"שני ²	קידוח במתכת ($a_{h,d}$)
1.5 מ"שני ²	1.5 מ"שני ²	אי-ודאות בקידוח במתכת (K)

5 הכנה לעבודה

⚠️ זהירות

סכנת פציעה עקב התחלת תנועה בשוגג!

- ◀ לפני חיבור הסוללה ודא שהמוצר כבוי.
- ◀ הסר את הסוללה לפני שאתה מבצע כווננים כלשהם במכשיר או מחליף אביזרים.

ציית להוראות הבטיחות והאזהרות שבתיעוד זה ולאלה המצוינות על המוצר.

5.1 טעינת סוללה

1. קרא את הוראות ההפעלה של המטען לפני הטעינה.
2. ודא שהמגעים של הסוללה ושל המטען בקיים ויבשים.
3. טען את הסוללה במטען מאושר.

5.2 חיבור הסוללה

⚠️ זהירות

סכנת פציעה עקב קצר או נפילת סוללה!

- ◀ לפני חיבור הסוללה ודא שהמגעים של הסוללה ושל המוצר בקיים מגופים זרים.
- ◀ ודא תמיד שהסוללה תפוסה היטב.

1. טען את הסוללה למצב מלא לגמרי לפני השימוש הראשון.
2. הכנס את הסוללה למחזיק במכשיר עד שאתה שומע אותה ננעלת.
3. ודא שהסוללה יושבת היטב.

5.3 הסרת הסוללה

1. לחץ על לחצני השחרור של הסוללה.
2. הסר את הסוללה מהמכשיר.

5.4 התקנת תפס לחגורה (אופציונלי) 2

⚠️ אזהרה

- ◀ **סכנת פציעה.** מכשיר שנופל עלול לפצוע גם אותך וגם אחרים.
- ◀ ודא לפני תחילת העבודה שתפס החגורה מחובר היטב.

בעזרת תפס החגורה תוכל לחבר את המכשיר לחגורה. ניתן להתקין את תפס החגורה לצורך נשיאת המכשיר בצד שמאל או בצד ימין.



5.5 חיבור כלי

1. העבר את מתג כיוון הסיבוב לעמדה האמצעית או נתק את הסוללה מהמכשיר.
2. בדוק אם הקנה של הכלי נקי. נקה אותו במקרה הצורך.
3. פתח את התפסנית המהירה.
4. הכנס את הכלי אל התפסנית המהירה והדק את התפסנית המהירה עד ששמע רצף של כמה "קליקים" מכניים.
5. ודא שהכלי מחובר באופן יציב.


6 תפעול

צוית להוראות הבטיחות והאזהרות שבתיעוד זה ולא לה מצוינות על המוצר.

6.1 בחירת הילוך 3

◀ בחר את הילוך.


6.2 קביעת כיוון סיבוב ימינה/שמאלה 4

 מנגנון נעילה מונע החלפת כיוון בזמן שהמכשיר פועל. בעמדה האמצעית מתג ההפעלה חסום (חסימת הפעלה).

◀ העבר את מתג כיוון הסיבוב לעמדה המתאימה עבור כיוון הסיבוב המבוקש.

6.3 הפעלה


◀ לחץ על מתג ההפעלה.

 ניתן לשלוט במהירות הסיבוב באמצעות עומק הלחיצה על מתג ההפעלה.

6.4 הברגה

1. קבע את מומנט הפיתול המבוקש באמצעות הטבעת לקביעת מומנט הפיתול ומצב הפעולה.
2. העבר את מתג כיוון הסיבוב לעמדה המתאימה עבור כיוון הסיבוב המבוקש.

6.5 קידוח

1. העבר את הטבעת של מומנט הפיתול ומצב העבודה לסמל .
2. העבר את מתג כיוון הסיבוב לכיוון סיבוב ימינה.

6.6 כיבוי

◀ שחרר את מתג ההפעלה.

6.7 הוצאת כלי

1. העבר את מתג כיוון הסיבוב לעמדה האמצעית או נתק את הסוללה מהמכשיר.
2. פתח את התפסנית המהירה.
3. משוך את הכלי אל מחוץ לתפסנית המהירה.

7 טיפול ותחזוקה

אזהרה

סכנת פציעה כאשר הסוללה מחוברת !

◀ לפני ביצוע עבודות טיפול ותחזוקה כלשהן יש להקפיד להסיר את הסוללה!

טיפול במכשיר

- הסר בזהירות לכלוך שנדבק.
- נקה בזהירות את חריצי האוורור באמצעות מברשת יבשה.



• נקה את גוף המכשיר רק בעזרת מטלית לחה מעט. אין להשתמש בחומרי טיפול המכילים סיליקון, מאחר שהם עלולים לפגוע בחלקי הפלסטיק.

טיפול בסוללות ליתיום-יון

- שמור על הסוללה נקייה מלכלוך, שמן וגריד.
- נקה את גוף המכשיר רק בעזרת מטלית לחה מעט. אין להשתמש בחומרי טיפול המכילים סיליקון, מאחר שהם עלולים לפגוע בחלקי הפלסטיק.
- מנע חדירת לחות.

תחזוקה

- יש לבדוק באופן סדיר את כל החלקים הגלויים כדי לאתר נדקים ולוודא שכל הרכיבים פועלים באופן תקין.
- אם ישנם נדקים ו/או תקלות אין להפעיל את המוצר. הבא מיד את המכשיר לתיקון במעבדת שירות של Hilti.
- לאחר עבודות טיפול ותחזוקה יש להקפיד ולחבר את כל התקני ההגנה ולבדוק את תפקוד המכשיר.

לצורך הפעלה בטוחה של המכשיר יש להשתמש רק בחלקי חילוף וחומרים מתכלים מקוריים. את חלקי החילוף, החומרים המתכלים והאביזרים שאושרו על-ידנו עבור המוצר שלך תמצא ב-Hilti Store שלך או בכותבת: www.hilti.group.



8 הובלה ואחסון של מכשירים בטענים

הובלה

⚠️ זהירות

התחלת פעולה בשוגג במהלך הובלה!

◀ יש להוביל את המכשיר כשהסוללה מנותקת ממנו!

- ◀ הוצא את הסוללות.
- ◀ בשום אופן אין להוביל סוללות כשהן נמצאות בין עצמים לא ארוזים.
- ◀ לפני השימוש במכשיר בתום הובלה ארוכה יש לבדוק אותו ואת הסוללה לאיתור נדקים.

אחסון

⚠️ זהירות

נזק לא מכוון כשהסוללות פגומות או דולפות!

◀ יש לאחסן את המכשיר כשהסוללה מנותקת ממנו!

- ◀ יש לאחסן את המכשיר והסוללה במקום קריר ויבש.
- ◀ לעולם אין לאחסן סוללות בשמש, על גוף חימום או מאחורי שמש.
- ◀ יש לאחסן את המכשיר והסוללה הרחק מהישג ידם של ילדים או אנשים לא מורשים.
- ◀ לפני השימוש במכשיר בתום אחסון ממושך יש לבדוק אותו ואת הסוללה לאיתור נדקים.

9 תיקון תקלות

9.1 תיקון תקלות

אם מתרחשת תקלה שאינה מוסברת בטבלה זה או שאינך יכול לתקן בעצמך, פנה לשירות של Hilti.

תקלה	סיבה אפשרית	פתרון
המכשיר אינו פועל.	הסוללה אינה מוכנסת עד הסוף.	◀ ודא שהסוללה נבעלת בצליל נקישה.
	הסוללה התרוקנה.	◀ החלף סוללה, וטען את הסוללה הריקה.
	תקלה חשמלית.	◀ הוצא את הסוללה מהמכשיר ופנה לשירות של Hilti.
המכשיר אינו פועל ונורית אחת מהבהבת.	הסוללה התרוקנה.	◀ החלף סוללה, וטען את הסוללה הריקה.
	הסוללה חמה מדי או קרה מדי.	◀ הבא את הסוללה לטמפרטורת העבודה המומלצת.
לא ניתן ללחוץ על מתג ההפעלה/כביי או שהמתג חסום.	מתג כיוון הסיבוב נמצא בעמדה האמצעית.	◀ דחף את מתג כיוון הסיבוב שמאלה או ימינה.
נורית 1 מהבהבת.	הסוללה התרוקנה.	◀ החלף סוללה, וטען את הסוללה הריקה.



תקלה	סיבה אפשרית	פתרון
נורית 1 מהבהבת.	עומס יתר על המכשיר (חריגה מגבולות השימוש).	לפני כל עבודה בדוק את נתוני ההספק של המוצר שלך. ראה הנתונים הטכניים.
הסוללה מתרוקנת מהר מהרגיל.	טמפרטורת סביבה נמוכה מאוד.	אפשר לסוללה להתחמם בהדרגה לטמפרטורת החדר.
הסוללה אינה נתפסת בצליל נקישה כפול ברור.	זידי הנעילה בסוללה מלוכלכים.	נקה את זידי הנעילה וחבר את הסוללה. אם הבעיה נמשכת, פנה לשירות של Hilti.

10 סילוק

המוצרים של Hilti מיוצרים בחלקם מגדול מחומרים ניתנים למיחזור. כדי שניתן יהיה למחזרם דרושה הפרדת חומרים מקצועית. במדינות רבות Hilti תקבל את המכשיר הישן שלך בחזרה לצורך מיחזור. פנה לשירות של Hilti או למשווק.

סילוק סוללות

סילוק לא תקין של סוללות מסכן את הבריאות עקב דליפת גזים או נוזלים.

- ◀ אין לשלוח סוללות פגומות!
- ◀ כסה את החיבורים באמצעות חומר לא מוליך, כדי למנוע קצר.
- ◀ סלק סוללות כך שהן לא יוכלו להגיע לידיהם של ילדים.
- ◀ סלק את הסוללה ב-Hilti Store או פנה לחברת המיחזור האחראית.

◀ אין להשליך כלי עבודה חשמליים, כלים אלקטרוניים וסוללות לפסולת הביתית!



11 China RoHS (תקנה להגבלת השימוש בחומרים מסוכנים)

בקישורים הבאים תמצא את טבלת החומרים המסוכנים: (SFC 14-A - qr.hilti.com/r4793) ו-(SFC 22-A-1 - qr.hilti.com/r4833). קישור לטבלת RoHS תמצא בסוף תיעוד זה, בצורת קוד QR.

12 אחריות יצרן

◀ אם יש לך שאלות בנושא תנאי האחריות, פנה למשווק Hilti הקרוב אליך.







Hilti Corporation
Feldkircherstraße 100
9494 Schaan | Liechtenstein

SFC 14-A (01)

[2010]

SFC 22-A (01)

[2010]

2006/42/EC

EN 60745-1

2014/30/EU

EN 60745-2-1

2011/65/EU

EN 55014-1:2017

EN 55014-2:2015

Schaan, 20.08.2019

Paolo Luccini

Head of Quality and Process Management
BA Electric Tools & Accessories

Tassilo Deinzer

Executive Vice President
BU Electric Tools & Accessories

ROHS

SFC 14-A



ROHS

SFC 22-A





Hilti Corporation
LI-9494 Schaan
Tel.:+423 234 21 11
Fax:+423 234 29 65
www.hilti.group



440881