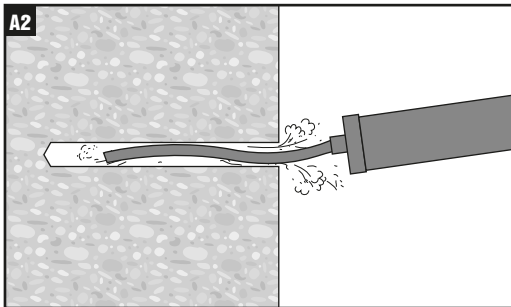
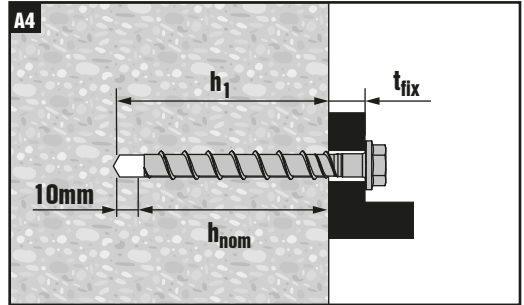
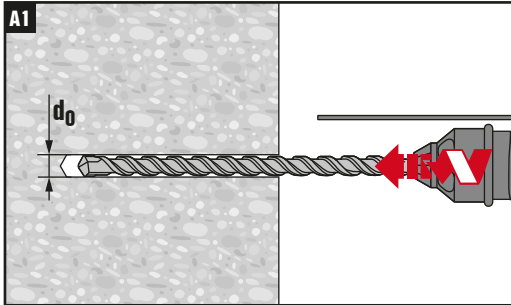


			d_0
	SIW 22T-A SIW 22-A		$\varnothing 10 \text{ mm}$



A5

HUS-V 10	h_{nom1} =55mm	h_{nom2} =75mm
	t_{fix1}	t_{fix2}
10x60	5 mm	-
10x85	30 mm	10 mm
10x95	40 mm	20 mm
10x105	50 mm	30 mm
10x130	75 mm	55 mm

