



SD 6000 SD 5000  
SD 2500

English



# 1 Information about the documentation

## 1.1 About this documentation

- Read this documentation before initial operation or use. This is a prerequisite for safe, trouble-free handling and use of the product.
- Observe the safety instructions and warnings in this documentation and on the product.
- Always keep the operating instructions with the product and make sure that the operating instructions are with the product when it is given to other persons.

## 1.2 Explanation of symbols used

### 1.2.1 Warnings

Warnings alert persons to hazards that occur when handling or using the product. The following signal words are used:



**DANGER !**

- ▶ Draws attention to imminent danger that will lead to serious personal injury or fatality.



**WARNING !**

- ▶ Draws attention to a potential threat of danger that can lead to serious injury or fatality.



**CAUTION !**

- ▶ Draws attention to a potentially dangerous situation that could lead to slight personal injury or damage to the equipment or other property.

### 1.2.2 Symbols in the documentation

The following symbols are used in this document:

	Read the operating instructions before use.
	Instructions for use and other useful information
	Dealing with recyclable materials
	Do not dispose of electric equipment and batteries as household waste

### 1.2.3 Symbols in the illustrations

The following symbols are used in illustrations:

	These numbers refer to the corresponding illustrations found at the beginning of these operating instructions
	The numbering reflects the sequence of operations shown in the illustrations and may deviate from the steps described in the text
	Item reference numbers are used in the <b>overview illustrations</b> and refer to the numbers used in the <b>product overview section</b>
	This symbol is intended to draw special attention to certain points when handling the product.
	Wireless data transfer

### 1.3 Product information

Hilti products are designed for professional use and may be operated, serviced and maintained only by trained, authorized personnel. This personnel must be informed of any particular hazards that may be encountered. The product and its ancillary equipment may present hazards when used incorrectly by untrained personnel or when used not as directed.

- Make a note of the designation and serial number printed on the identification plate in the following table.
- ▶ Always quote this information when you contact a Hilti representative or Hilti Service to inquire about the product.

#### Product information

Drywall screwdriver:	SD 6000 SD 5000	SD 2500
Generation:	01	02
Serial number:		

### 1.4 Declaration of conformity

We declare, on our sole responsibility, that the product described here complies with the applicable directives and standards. A copy of the declaration of conformity can be found at the end of this documentation.

The technical documentation is filed here:

Hilti Entwicklungsgesellschaft mbH | Tool Certification | Hiltistrasse 6 | 86916 Kaufering, Germany

## 2 Safety

### 2.1 Safety instructions

The safety rules given in the following section contain all general safety rules for electric tools which, in accordance with the applicable standards, require to be listed in the operating instructions. Accordingly, some of the rules listed may not be relevant to this tool.

#### 2.1.1 General power tool safety warnings

**⚠ WARNING Read all safety warnings, instructions, illustrations and specifications provided with this power tool.** Failure to follow all instructions listed below may result in electric shock, fire and/or serious injury. **Save all warnings and instructions for future reference.**

The term "power tool" in the warnings refers to your mains-operated (corded) power tool or battery-operated (cordless) power tool.

#### Work area safety

- ▶ **Keep work area clean and well lit.** Cluttered or dark areas invite accidents.
- ▶ **Do not operate power tools in explosive atmospheres, such as in the presence of flammable liquids, gases or dust.** Power tools create sparks which may ignite the dust or fumes.
- ▶ **Keep children and bystanders away while operating a power tool.** Distractions can cause you to lose control.

#### Electrical safety

- ▶ **Power tool plugs must match the outlet. Never modify the plug in any way. Do not use any adapter plugs with earthed (grounded) power tools.** Unmodified plugs and matching outlets will reduce risk of electric shock.
- ▶ **Avoid body contact with earthed or grounded surfaces, such as pipes, radiators, ranges and refrigerators.** There is an increased risk of electric shock if your body is earthed or grounded.
- ▶ **Do not expose power tools to rain or wet conditions.** Water entering a power tool will increase the risk of electric shock.
- ▶ **Do not abuse the cord. Never use the cord for carrying, pulling or unplugging the power tool. Keep cord away from heat, oil, sharp edges or moving parts.** Damaged or entangled cords increase the risk of electric shock.
- ▶ **When operating a power tool outdoors, use an extension cord suitable for outdoor use.** Use of a cord suitable for outdoor use reduces the risk of electric shock.
- ▶ **If operating a power tool in a damp location is unavoidable, use a residual current device (RCD) protected supply.** Use of an RCD reduces the risk of electric shock.

## Personal safety

- ▶ **Stay alert, watch what you are doing and use common sense when operating a power tool. Do not use a power tool while you are tired or under the influence of drugs, alcohol or medication.** A moment of inattention while operating power tools may result in serious personal injury.
- ▶ **Use personal protective equipment. Always wear eye protection.** Protective equipment such as a dust mask, non-skid safety shoes, hard hat or hearing protection used for appropriate conditions will reduce personal injuries.
- ▶ **Prevent unintentional starting. Ensure the switch is in the off-position before connecting to power source and/or battery pack, picking up or carrying the tool.** Carrying power tools with your finger on the switch or energising power tools that have the switch on invites accidents.
- ▶ **Remove any adjusting key or wrench before turning the power tool on.** A wrench or a key left attached to a rotating part of the power tool may result in personal injury.
- ▶ **Do not overreach. Keep proper footing and balance at all times.** This enables better control of the power tool in unexpected situations.
- ▶ **Dress properly. Do not wear loose clothing or jewellery. Keep your hair and clothing away from moving parts.** Loose clothes, jewellery or long hair can be caught in moving parts.
- ▶ **If devices are provided for the connection of dust extraction and collection facilities, ensure these are connected and properly used.** Use of dust collection can reduce dust-related hazards.
- ▶ **Do not let familiarity gained from frequent use of tools allow you to become complacent and ignore tool safety principles.** A careless action can cause severe injury within a fraction of a second.

## Power tool use and care

- ▶ **Do not force the power tool. Use the correct power tool for your application.** The correct power tool will do the job better and safer at the rate for which it was designed.
- ▶ **Do not use the power tool if the switch does not turn it on and off.** Any power tool that cannot be controlled with the switch is dangerous and must be repaired.
- ▶ **Disconnect the plug from the power source and/or remove the battery pack, if detachable, from the power tool before making any adjustments, changing accessories, or storing power tools.** Such preventive safety measures reduce the risk of starting the power tool accidentally.
- ▶ **Store idle power tools out of the reach of children and do not allow persons unfamiliar with the power tool or these instructions to operate the power tool.** Power tools are dangerous in the hands of untrained users.
- ▶ **Maintain power tools and accessories. Check for misalignment or binding of moving parts, breakage of parts and any other condition that may affect the power tool's operation. If damaged, have the power tool repaired before use.** Many accidents are caused by poorly maintained power tools.
- ▶ **Keep cutting tools sharp and clean.** Properly maintained cutting tools with sharp cutting edges are less likely to bind and are easier to control.
- ▶ **Use the power tool, accessories and tool bits etc. in accordance with these instructions, taking into account the working conditions and the work to be performed.** Use of the power tool for operations different from those intended could result in a hazardous situation.
- ▶ **Keep handles and grasping surfaces dry, clean and free from oil and grease.** Slippery handles and grasping surfaces do not allow for safe handling and control of the tool in unexpected situations.

## Service

- ▶ **Have your power tool serviced by a qualified repair person using only identical replacement parts.** This will ensure that the safety of the power tool is maintained.

### 2.1.2 Drill/driver safety warnings

- ▶ **Hold the power tool by insulated gripping surfaces, when performing an operation where the fastener may contact hidden wiring or its own cord.** Fasteners contacting a "live" wire may make exposed metal parts of the power tool "live" and could give the operator an electric shock.

### 2.1.3 Additional safety instructions

#### Personal safety

- ▶ Use the product only when it is in technically faultless condition.
- ▶ Never tamper with or modify the tool in any way.
- ▶ Apply appropriate safety measures at the opposite side of the workpiece in work that involves breaking through. Parts breaking away could fall out and / or fall down causing injury to other persons.
- ▶ Always hold the power tool with both hands on the grips provided. Keep the grips clean and dry.
- ▶ Avoid touching rotating parts – risk of injury!

- ▶ Wear suitable protective glasses, a hard hat, ear protection, protective gloves and light respiratory protection while using the tool.
- ▶ Always activate the safety lock before changing accessory tools, before storing the electric tool or before transporting it.
- ▶ Wear protective gloves also when changing the accessory tool. Touching the accessory tool presents a risk of injury (cuts or burns).
- ▶ Wear eye protection. Flying fragments present a risk of injury to the body and eyes.
- ▶ Before beginning the work, check the hazard classification of the dust that will be produced. Use an industrial vacuum cleaner with an officially approved protection classification in compliance with locally applicable dust protection regulations.
- ▶ Use a dust removal system and suitable vacuum cleaner whenever possible. Dust from materials, such as paint containing lead, some wood species, concrete/masonry/stone containing silica, and minerals as well as metal, may be harmful.
- ▶ Make sure that the workplace is well ventilated and, where necessary, wear a respirator appropriate for the type of dust generated. Contact with or inhalation of the dust may cause allergic reactions and/or respiratory or other diseases to the operator or bystanders. Certain kinds of dust are classified as carcinogenic such as oak and beech dust, especially in conjunction with additives for wood conditioning (chromate, wood preservative). Material containing asbestos may be handled only by specialists.
- ▶ Take breaks between working and do physical exercises to improve the blood circulation in your fingers. Exposure to vibration during long periods of work can lead to disorders of the blood vessels and nervous system in the fingers, hands and wrists.

**Electrical safety**

- ▶ Before beginning work, check the working area for concealed electric cables or gas and water pipes. External metal parts of the power tool may give you an electric shock if you damage an electric cable accidentally.

**Careful handling and use of power tools**

- ▶ Secure the workpiece. A workpiece clamped in a vice or secured by some other clamping device is more secure than when held only by hand.
- ▶ Switch the power tool off if the accessory tool sticks and stalls. The power tool may be deflected laterally.
- ▶ Wait until the power tool stops completely before you lay it down.

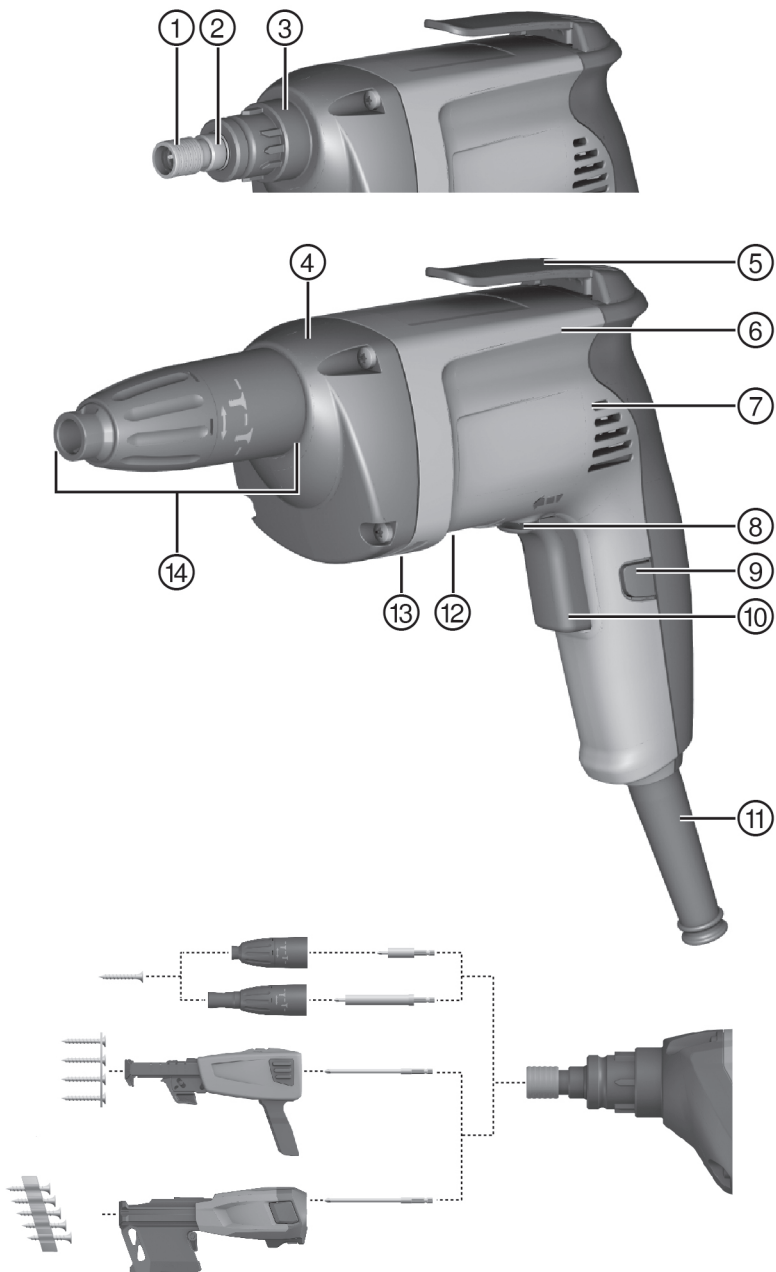






### 3 Description

#### 3.1 Overview of the product



- |   |                                       |
|---|---------------------------------------|
| ① Bit holder  | ⑧ Forward / reverse switch            |
| ② Chuck   | ⑨ Lockbutton for continuous operation |
| ③ Power tool / accessory interface (snap-on connection) | ⑩ On/off switch                       |
| ④ Coupling system / gearing                             | ⑪ Supply cord                         |
| ⑤ Universal hook  | ⑫ Rating plate                        |
| ⑥ Motor   | ⑬ Air exit                            |
| ⑦ Air intake  | ⑭ Depth gauge                         |

### 3.2 Intended use

The product described is a hand-held mains-powered electric tool for use in drywall installation. The power tool is designed for driving and removing screws in drywall installation work. Drywall screws with a length of up to 55 mm and a diameter of up to 4.2 mm can be used. Working with materials hazardous to health (e.g. asbestos) is not permissible.

### 3.3 Items supplied

Drywall screwdriver, operating instructions



You can find other system products approved for use with your product at your local **Hilti** Center or online at: [www.hilti.com](http://www.hilti.com).

## 4 Technical data

### 4.1 Technical data

	SD 2500	SD 5000	SD 6000
<b>Rated current input</b>	3.3 A	3.3 A	3.3 A
<b>Weight in accordance with EPTA procedure 01/2003</b>	1.5 kg	1.4 kg	1.4 kg
<b>Rated speed under no load</b>	0 /min ... 2,500 /min	0 /min ... 5,000 /min	0 /min ... 6,000 /min
<b>Max. torque</b>	19 Nm	9.5 Nm	7.9 Nm
<b>Chuck</b>	Hex socket 1/4"	Hex socket 1/4"	Hex socket 1/4"

### 4.2 Noise information and vibration values

The sound pressure and vibration values given in these instructions have been measured in accordance with a standardized test and may be used to compare one electric tool with another. They may be used for a preliminary assessment of exposure. The data given represents the main applications of the electric tool. However, if the electric tool is used for different applications, with different accessory tools, or is poorly maintained, the data may vary. This may significantly increase exposure over the total working period. An accurate estimation of exposure should also take into account the times when the power tool is switched off, or when it is running but not actually being used for a job. This may significantly reduce exposure over the total working period. Identify additional safety measures to protect the operator from the effects of noise and/or vibration, for example: maintenance of the electric tool and the accessories, keeping the hands warm, organization of work patterns.

#### Noise information in accordance with EN 62841

	SD 2500	SD 5000
<b>Sound (power) level (<math>L_{WA}</math>)</b>	100 dB(A)	98 dB(A)
<b>Uncertainty for the sound power level (<math>K_{WA}</math>)</b>	3 dB(A)	3 dB(A)
<b>Emission sound pressure level (<math>L_{pA}</math>)</b>	89 dB(A)	87 dB(A)
<b>Uncertainty for the sound pressure level (<math>K_{pA}</math>)</b>	3 dB(A)	3 dB(A)

	<b>SD 6000</b>
<b>Sound (power) level (<math>L_{WA}</math>)</b>	98 dB(A)
<b>Uncertainty for the sound power level (<math>K_{WA}</math>)</b>	3 dB(A)
<b>Emission sound pressure level (<math>L_{pA}</math>)</b>	85 dB(A)
<b>Uncertainty for the sound pressure level (<math>K_{pA}</math>)</b>	3 dB(A)

#### Total vibration

	<b>SD 2500</b>	<b>SD 5000</b>	<b>SD 6000</b>
<b>Vibration emission value for screwdriving without impact action<sub>h</sub> (<math>a_{WA}</math>)</b>	2.5 m/s <sup>2</sup>	2.5 m/s <sup>2</sup>	3 m/s <sup>2</sup>
<b>Uncertainty for screw-driving</b>	1.5 m/s <sup>2</sup>	1.5 m/s <sup>2</sup>	1.5 m/s <sup>2</sup>

## 5 Operation

### 5.1 Preparations at the workplace

#### CAUTION

**Risk of injury!** Inadvertent starting of the product.

- ▶ Unplug the supply cord before making adjustments to the power tool or before changing accessories.

Observe the safety instructions and warnings in this documentation and on the product.

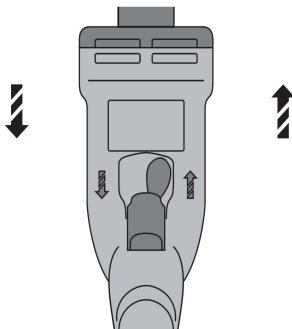
#### 5.1.1 Working safely with the universal hook

- ▶ Before beginning the work, make sure that the universal hook is securely attached to the screwdriver.
- ▶ Lay the screwdriver down in a safe place when it is not in use for a long period.

#### 5.1.2 Forward / reverse

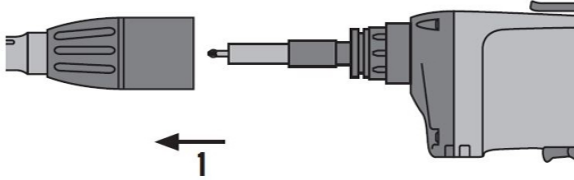


The control switch is locked when the forward / reverse switch is in the middle position (safety lock).



- ▶ Set the forward / reverse selector switch to forward or reverse rotation.

## 5.2 Changing the accessory tool.



1. Pull the depth gauge away from the power tool, releasing the snap-on connection.
2. Push the chuck towards the screwdriver, turning the chuck slightly at the same time, and then hold it in this position.
3. Remove the accessory tool with your other hand.
4. Insert the desired accessory tool in the chuck, pushing it into the screwdriver as far as it will go.

## 5.3 Types of work

Observe the safety instructions and warnings in this documentation and on the product.

### 5.3.1 Driving screws

#### **WARNING**

**Electrical hazards** There is a risk of electric shock if a screw is driven into a concealed electric cable and, at the same time, the bit holder or depth gauge is touched.

- ▶ Hold the screwdriver only by the grip when driving or removing screws.

1. Set the screwdriver to forward rotation.
2. Position the screw on the bit and bring the tip of the screw into contact with the working surface.



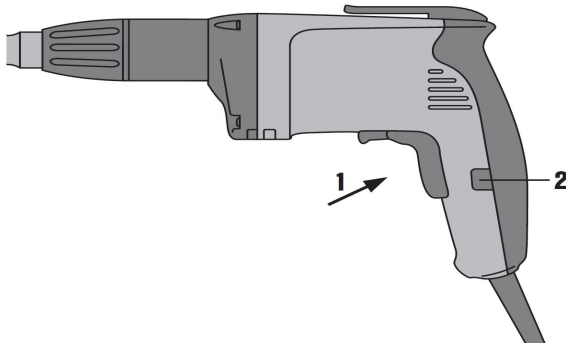
The optimum screwdriving depth can be set by turning the depth gauge.

3. Use the control switch to regulate the speed of the screwdriver.

### 5.3.2 Removing screws

1. Pull the depth gauge off.
2. Set the screwdriver to reverse rotation.
3. Insert the bit in the head of the screw and use the control switch to regulate the speed of the screwdriver.
4. Refit the depth gauge after removing the screws.

### 5.3.3 Switching on in sustained operating mode



- ▶ Switch on in sustained operating mode.

### 5.3.4 Switching off after sustained operation

- ▶ Press the control switch.
  - ◀ The lockbutton returns to its original position.

### 5.3.5 Screwdriver / depth gauge interface

1. Pull the depth gauge away from the power tool, releasing the snap-on connection.
2. Pull the depth gauge forward, away from the power tool.



With the drive spindle exposed in this way, the following operations can be carried out:

- Removing screws (set to reverse rotation),
- changing bits,
- changing bit holders,
- changing to magazine operation,
- redriving screws.

## 6 Care and maintenance

### 6.1 Care and maintenance



#### WARNING

**Electric shock hazard!** Attempting care and maintenance with the supply cord connected to a power outlet can lead to severe injury and burns.

- ▶ Always unplug the supply cord before carrying out care and maintenance tasks.

#### Care

- Carefully remove stubborn dirt from the tool.
- Clean the air vents carefully with a dry brush.
- Use only a slightly damp cloth to clean the casing. Do not use cleaning agents containing silicone as these can attack the plastic parts.

#### Maintenance



#### WARNING

**Danger of electric shock!** Improper repairs to electrical components may lead to serious injuries including burns.

- ▶ Repairs to the electrical section of the tool or appliance may be carried out only by trained electrical specialists.
- Check all visible parts and controls for signs of damage at regular intervals and make sure that they all function correctly.
- Do not operate the tool if signs of damage are found or if parts malfunction. Have the tool repaired by **Hilti Service** immediately.

- After cleaning and maintenance, refit all guards or protective devices and check that they function correctly.

## 7 Troubleshooting

If the trouble you are experiencing is not listed in this table or you are unable to remedy the problem by yourself, please contact **Hilti** Service.

Trouble or fault	Possible cause	Action to be taken
The screwdriver doesn't work and all four LEDs blink.	The overload cut-out has been activated.	▶ Release the control switch and then press it again. Reduce the load on the tool.
The control switch can't be pressed, i.e. the switch is locked.	The safety lock is engaged.	▶ Set the forward / reverse selector switch to forward or reverse rotation.
The screwdriver runs but the screw can't be driven.	The wrong direction of rotation is set.	▶ Use the forward / reverse selector switch to set the right direction of rotation.
The screwdriver gets very hot.	Electrical fault	▶ Switch off the screwdriver immediately and contact <b>Hilti</b> Service.
	The screwdriver has been overloaded by exceeding its application limits.	▶ Select a screwdriver with adequate performance for the application.

## 8 Disposal

Most of the materials from which **Hilti** tools and appliances are manufactured can be recycled. The materials must be correctly separated before they can be recycled. In many countries, your old tools, machines or appliances can be returned to **Hilti** for recycling. Ask **Hilti** Service or your Hilti representative for further information.



- ▶ Do not dispose of power tools, electronic equipment or batteries as household waste!

## 9 RoHS (Restriction of Hazardous Substances)

Click on the link to go to the table of hazardous substances: [qr.hilti.com/r3008](http://qr.hilti.com/r3008) for the SD 2500.  
 Click on the link to go to the table of hazardous substances: [qr.hilti.com/r5390](http://qr.hilti.com/r5390) for the SD 5000.  
 Click on the link to go to the table of hazardous substances: [qr.hilti.com/r5241](http://qr.hilti.com/r5241) for the SD 6000.  
 There is a link to the RoHS table, in the form of a QR code, at the end of this document.

## 10 Manufacturer's warranty

- ▶ Please contact your local **Hilti** representative if you have questions about the warranty conditions.



**Hilti Aktiengesellschaft**  
Feldkircherstraße 100  
9494 Schaan | Liechtenstein

<b>SD 2500 (02)</b>	[2006]
<b>SD 5000 (01)</b>	[2006]
<b>SD 6000 (01)</b>	[2011]

2006/42/EC	EN ISO 12100
2014/30/EU	EN 62841-1
2011/65/EU	EN 62841-2-2

Schaan, 06/2018

**Norbert Wohlwend**

Head of BU Quality Management  
DQX Quality Management  
Business Unit Direct Fastening

**Lars Tänzer**

Head of BU Direct Fastening  
Business Unit Direct Fastening



SD 2500



SD 5000



SD 6000







Hilti Corporation  
LI-9494 Schaan  
Tel.: +423 234 21 11  
Fax: +423 234 29 65  
[www.hilti.group](http://www.hilti.group)



2164701



Hilti Connect