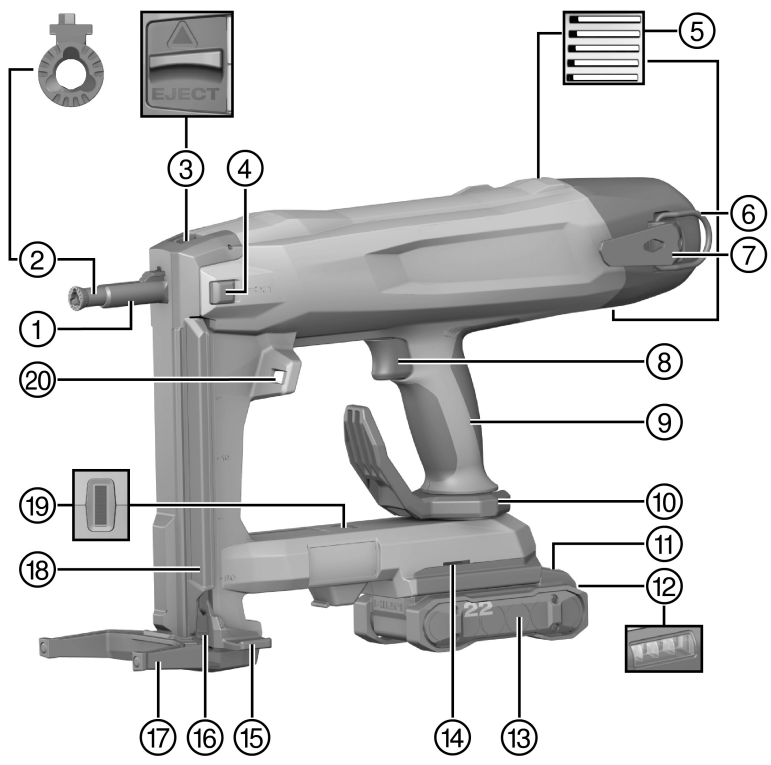


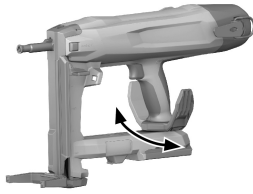


BX 3-22
BX 3-L-22
BX 3-ME-22
NURON

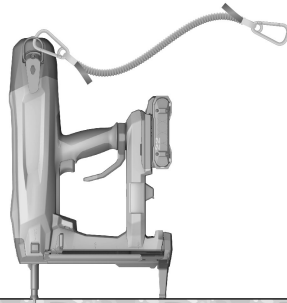
| | |
|------------|-----|
| English | 1 |
| Español | 17 |
| Français | 36 |
| Português | 53 |
| Hrvatski | 71 |
| Srpski | 88 |
| Русский | 105 |
| Українська | 125 |
| Қазақ | 145 |
| Български | 164 |
| Română | 182 |
| Ελληνικά | 201 |
| Türkçe | 220 |
| عربي | 237 |
| 日本語 | 255 |
| 한국어 | 271 |
| 繁體中文 | 287 |
| 中文 | 302 |



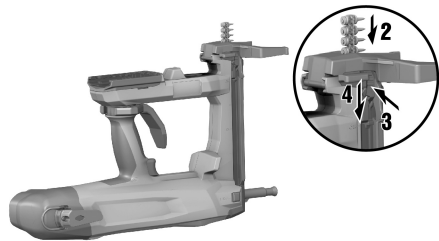
2



3

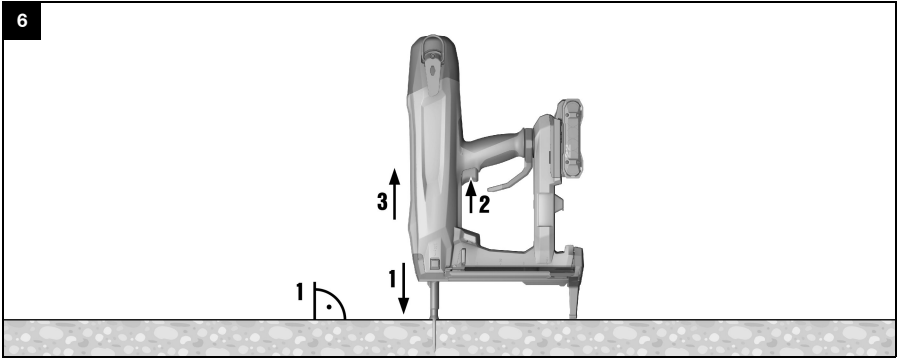


4



5





Original operating instructions

1 Information about the documentation

1.1 About this documentation

- Read this documentation before initial operation or use. This is a prerequisite for safe, trouble-free handling and use of the product.
- Observe the safety instructions and warnings in this documentation and on the product.
- Always keep the operating instructions with the product and make sure that the operating instructions are with the product when it is given to other persons.

1.2 Explanation of symbols

1.2.1 Warnings

Warnings alert persons to hazards that occur when handling or using the product. The following signal words are used:

DANGER

DANGER !

- ▶ Draws attention to imminent danger that will lead to serious personal injury or fatality.

WARNING

WARNING !

- ▶ Draws attention to a potential threat of danger that can lead to serious injury or fatality.







CAUTION

CAUTION !

- ▶ Draws attention to a potentially dangerous situation that could lead to personal injury or damage to the equipment or other property.


1.2.2 Symbols in the operating instructions

The following symbols are used in these operating instructions:

| | |
|---|---|
|  | Comply with the operating instructions |
|  | Instructions for use and other useful information |
|  | Dealing with recyclable materials |
|  | Do not dispose of electric equipment and batteries as household waste |
|  | Hilti Li-ion battery |
|  | Hilti charger |

1.2.3 Symbols in illustrations

The following symbols are used in illustrations:

| | |
|---|--|
| 2 | These numbers refer to the illustrations at the beginning of these operating instructions. |
| 3 | The numbering reflects the sequence of operations shown in the illustrations and may deviate from the steps described in the text. |
| 11 | Item reference numbers are used in the overview illustration and refer to the numbers used in the key in the product overview section. |
|  | These characters are intended to specifically draw your attention to certain points when handling the product. |



1.3 Product-dependent symbols

1.3.1 Symbols on the product

The following symbols can be used on the product:

| | |
|--------|---|
| | General symbol for "must do" |
| | Wear eye protection |
| | Wear hearing protection |
| | Wear a hard hat |
| | The product supports near-field communication (NFC) technology compatible with iOS and Android platforms. |
| Li-Ion | Li-ion battery |
| | Never use the battery as a striking tool. |
| | Do not drop the battery. Never use a battery that has suffered an impact or is damaged in any other way. |

1.4 Product information

products are designed for professional users and only trained, authorized personnel are permitted to operate, service and maintain the products. This personnel must be specifically informed about the possible hazards. The product and its ancillary equipment can present hazards if used incorrectly by untrained personnel or if used not in accordance with the intended use.

The type designation and serial number are printed on the rating plate.

- Write down the serial number in the table below. You will be required to state the product details when contacting Hilti Service or your local Hilti organization to inquire about the product.

Product information

| | |
|----------------|----------------------------------|
| Fastening tool | BX 3-22 BX 3-L-22 BX 3-ME-22 |
| Generation | 03 |
| Serial no. | |

1.5 Declaration of conformity

The manufacturer declares, on his sole responsibility, that the product described here complies with the applicable legislation and standards. A copy of the declaration of conformity can be found at the end of this documentation.

The technical documentation is filed here:

Hilti Entwicklungsgesellschaft mbH | Tool Certification | Hiltistrasse 6 | D-86916 Kaufering, Germany

2 Safety

2.1 General power tool safety warnings

⚠ WARNING Read all safety warnings, instructions, illustrations and specifications provided with this power tool. Failure to follow all instructions listed below may result in electric shock, fire and/or serious injury. **Save all warnings and instructions for future reference.**

The term "power tool" in the warnings refers to your mains-operated (corded) power tool or battery-operated (cordless) power tool.

Work area safety

- Keep work area clean and well lit.** Cluttered or dark areas invite accidents.
- Do not operate power tools in explosive atmospheres, such as in the presence of flammable liquids, gases or dust.** Power tools create sparks which may ignite the dust or fumes.



- ▶ **Keep children and bystanders away while operating a power tool.** Distractions can cause you to lose control.

Electrical safety

- ▶ **Power tool plugs must match the outlet. Never modify the plug in any way. Do not use any adapter plugs with earthed (grounded) power tools.** Unmodified plugs and matching outlets will reduce risk of electric shock.
- ▶ **Avoid body contact with earthed or grounded surfaces, such as pipes, radiators, ranges and refrigerators.** There is an increased risk of electric shock if your body is earthed or grounded.
- ▶ **Do not expose power tools to rain or wet conditions.** Water entering a power tool will increase the risk of electric shock.
- ▶ **Do not abuse the cord. Never use the cord for carrying, pulling or unplugging the power tool. Keep cord away from heat, oil, sharp edges or moving parts.** Damaged or entangled cords increase the risk of electric shock.
- ▶ **When operating a power tool outdoors, use an extension cord suitable for outdoor use.** Use of a cord suitable for outdoor use reduces the risk of electric shock.
- ▶ **If operating a power tool in a damp location is unavoidable, use a residual current device (RCD) protected supply.** Use of an RCD reduces the risk of electric shock.

Personal safety

- ▶ **Stay alert, watch what you are doing and use common sense when operating a power tool. Do not use a power tool while you are tired or under the influence of drugs, alcohol or medication.** A moment of inattention while operating power tools may result in serious personal injury.
- ▶ **Use personal protective equipment. Always wear eye protection.** Protective equipment such as a dust mask, non-skid safety shoes, hard hat or hearing protection used for appropriate conditions will reduce personal injuries.
- ▶ **Prevent unintentional starting. Ensure the switch is in the off-position before connecting to power source and/or battery pack, picking up or carrying the tool.** Carrying power tools with your finger on the switch or energising power tools that have the switch on invites accidents.
- ▶ **Remove any adjusting key or wrench before turning the power tool on.** A wrench or a key left attached to a rotating part of the power tool may result in personal injury.
- ▶ **Do not overreach. Keep proper footing and balance at all times.** This enables better control of the power tool in unexpected situations.
- ▶ **Dress properly. Do not wear loose clothing or jewellery. Keep your hair and clothing away from moving parts.** Loose clothes, jewellery or long hair can be caught in moving parts.
- ▶ **If devices are provided for the connection of dust extraction and collection facilities, ensure these are connected and properly used.** Use of dust collection can reduce dust-related hazards.
- ▶ **Do not let familiarity gained from frequent use of tools allow you to become complacent and ignore tool safety principles.** A careless action can cause severe injury within a fraction of a second.

Power tool use and care

- ▶ **Do not force the power tool. Use the correct power tool for your application.** The correct power tool will do the job better and safer at the rate for which it was designed.
- ▶ **Do not use the power tool if the switch does not turn it on and off.** Any power tool that cannot be controlled with the switch is dangerous and must be repaired.
- ▶ **Disconnect the plug from the power source and/or remove the battery pack, if detachable, from the power tool before making any adjustments, changing accessories, or storing power tools.** Such preventive safety measures reduce the risk of starting the power tool accidentally.
- ▶ **Store idle power tools out of the reach of children and do not allow persons unfamiliar with the power tool or these instructions to operate the power tool.** Power tools are dangerous in the hands of untrained users.
- ▶ **Maintain power tools and accessories. Check for misalignment or binding of moving parts, breakage of parts and any other condition that may affect the power tool's operation. If damaged, have the power tool repaired before use.** Many accidents are caused by poorly maintained power tools.
- ▶ **Keep cutting tools sharp and clean.** Properly maintained cutting tools with sharp cutting edges are less likely to bind and are easier to control.
- ▶ **Use the power tool, accessories and tool bits etc. in accordance with these instructions, taking into account the working conditions and the work to be performed.** Use of the power tool for operations different from those intended could result in a hazardous situation.
- ▶ **Keep handles and grasping surfaces dry, clean and free from oil and grease.** Slippery handles and grasping surfaces do not allow for safe handling and control of the tool in unexpected situations.



Battery tool use and care

- ▶ **Recharge only with the charger specified by the manufacturer.** A charger that is suitable for one type of battery pack may create a risk of fire when used with another battery pack.
- ▶ **Use power tools only with specifically designated battery packs.** Use of any other battery packs may create a risk of injury and fire.
- ▶ **When battery pack is not in use, keep it away from other metal objects, like paper clips, coins, keys, nails, screws or other small metal objects, that can make a connection from one terminal to another.** Shorting the battery terminals together may cause burns or a fire.
- ▶ **Under abusive conditions, liquid may be ejected from the battery; avoid contact. If contact accidentally occurs, flush with water. If liquid contacts eyes, additionally seek medical help.** Liquid ejected from the battery may cause irritation or burns.
- ▶ **Do not use a battery pack or tool that is damaged or modified.** Damaged or modified batteries may exhibit unpredictable behaviour resulting in fire, explosion or risk of injury.
- ▶ **Do not expose a battery pack or tool to fire or excessive temperature.** Exposure to fire or temperature above 130° C (265 °F) may cause explosion.
- ▶ **Follow all charging instructions and do not charge the battery pack or tool outside the temperature range specified in the instructions.** Charging improperly or at temperatures outside the specified range may damage the battery and increase the risk of fire.

Service

- ▶ **Have your power tool serviced by a qualified repair person using only identical replacement parts.** This will ensure that the safety of the power tool is maintained.
- ▶ **Never service damaged battery packs.** Service of battery packs should only be performed by the manufacturer or authorized service providers.

2.2 Tacker safety warnings

- ▶ **Always assume that the tool contains fasteners.** Careless handling of the fastening tool can result in unexpected firing of nails causing personal injury.
- ▶ **Do not point the tool towards yourself or anyone nearby.** A nail will be ejected by the tool if it is triggered unexpectedly, possibly leading to injury.
- ▶ **Do not actuate the tool unless the tool is placed firmly against the workpiece.** If the tool is not in contact with the workpiece, the fastener may be deflected away from your target.
- ▶ **Disconnect the tool from the power source when the fastener jams in the tool.** While removing a jammed fastener, the fastening tool may be accidentally activated if it is plugged in.
- ▶ **Use caution while removing a jammed fastener.** The mechanism may be under tension and the nail may be forcefully ejected while attempting to free a jam.
- ▶ **When fastening electrical cables, make sure the cables are not energized. Hold the fastening tool only by insulated gripping surfaces. Use only fasteners designed for electrical cable installations. Check that the fastener has not damaged the insulation of the electrical cable.** A nail that damages the insulation of electric cables can lead to electric shock and fire hazards.

2.3 Safety instructions

Requirements to be met by users

- ▶ Only authorized, appropriately trained persons may operate or service this product.

Personal protective equipment

- ▶ You and all other persons in the vicinity must wear suitable eye protection, ear protection and a hard hat while the tool is in use.

Personal safety

- ▶ Observe the information printed in the operating instructions concerning operation, care and maintenance.
- ▶ Stay alert, watch what you are doing and use common sense when operating a fastening tool. Do not use the product when you are tired or under the influence of drugs, alcohol or medication. Take a break if you experience pain or feel unwell. A moment of inattention while operating the fastening tool can result in serious injury.
- ▶ Avoid awkward postures. Make sure you work from a safe stance and stay in balance at all times.
- ▶ Wear non-skid shoes.



- ▶ Never pull the fastener guide or fastener back with your hand.
 - ▶ Under certain circumstances, the product could be made ready to fire by pulling the fastener guide or the fastener back by hand. When the tool is ready to fire, fasteners or the piston could accidentally be driven into parts of the body.
- ▶ Keep your arms slightly bent while operating the product (do not straighten your arms).
- ▶ Keep other people away from the working area, especially children.
- ▶ Risk of injury by falling tools and/or accessories. Before starting work, check that the battery and installed accessories are secure.
- ▶ Keep the air vents clear at all times. Risk of burn injuries due to blocked air vents!
- ▶ Do not look directly into the light source (LEDs) of the power tool and do not aim the beam at other persons' faces. Risk of dazzling or eye damage.

Fastening tool use and care

- ▶ Danger of fasteners penetrating right through! Before driving fasteners, check to make sure that no one is present behind or below the object into which the fastener is to be driven.
- ▶ Use the right product for the job. Do not use the product for purposes for which it was not intended. Use it only as directed and when in faultless condition.
- ▶ Never leave a loaded product unattended.
- ▶ Always unload the product (remove fasteners) before cleaning, maintenance, changing the fastener guide, before work breaks and before storing the product.
- ▶ When not in use, the product must be unloaded and stored in a locked, dry place where it is inaccessible to children.
- ▶ Check the product and its accessories for damage. Check that moving parts function faultlessly, without sticking, and that no parts are damaged.
 - ▶ All parts must be fitted correctly and fulfill all conditions necessary for correct operation of the product. Damaged parts must be properly repaired or replaced by **Hilti** Service unless otherwise stated in the operating instructions.
- ▶ Before beginning work, check the working area for concealed electric cables or gas and water pipes. External metal parts of the product could give you an electric shock or cause an explosion if you accidentally damage an electric cable or a gas or water pipe.
- ▶ Do not attempt to drive fasteners into unsuitable materials.
 - ▶ Unsuitable materials include welded steel and cast steel, cast iron, glass, marble, plastic, bronze, brass, copper, insulating material, hollow brick, ceramic brick, thin sheet metal (< 4 mm) and cellular concrete. Driving a fastener into these materials may cause the fastener to break, shatter or to be driven right through.
- ▶ Pull the trigger only when the product is fully pressed against the working surface at right angles.
- ▶ When driving fasteners, always hold the product at right angles to the working surface in order to prevent the fastener from being deflected by the material.
- ▶ Keep the grips dry, clean and free from oil and grease.
- ▶ Never drop the product.
- ▶ Do not use the magazine as a grip.
- ▶ Do not use the product in places where there is a risk of fire or explosion, unless the product is specially approved for this type of use.
- ▶ Never drive fasteners into existing holes unless this is recommended by **Hilti** (e.g. DX-Kwik).

Mechanical safety rules

- ▶ Do not tamper with or modify the product or accessories, especially the piston.
- ▶ Use only fasteners of a type approved for use with the product.

Thermal safety rules

- ▶ Do not exceed the recommended maximum fastener driving rate.
- ▶ If the product has overheated, allow it to cool down.
- ▶ Do not dismantle the product while it is hot. Allow the product to cool down.

2.4 Battery use and care

- ▶ **Comply with the following safety instructions for the safe handling and use of Li-ion batteries.** Failure to comply can lead to skin irritation, severe corrosive injury, chemical burns, fire and/or explosion.
- ▶ Use only batteries that are in perfect working order.
- ▶ Treat batteries with care in order to avoid damage and prevent leakage of fluids that are extremely harmful to health!



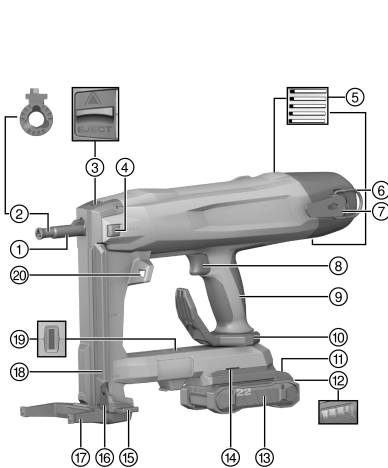
- ▶ Do not under any circumstances modify or tamper with batteries!
- ▶ Do not disassemble, crush or incinerate batteries and do not subject them to temperatures over 80 °C (176 °F).
- ▶ Never use or charge a battery that has suffered an impact or been damaged in any other way. Check your batteries regularly for signs of damage.
- ▶ Never use recycled or repaired batteries.
- ▶ Never use the battery or a battery-operated power tool as a striking tool.
- ▶ Never expose batteries to the direct rays of the sun, elevated temperature, sparking, or open flame. This can lead to explosions.
- ▶ Do not touch the battery poles with your fingers, tools, jewelry, or other electrically conductive objects. This can damage the battery and also cause material damage and personal injury.
- ▶ Keep batteries away from rain, moisture and liquids. Penetrating moisture can cause short circuits, electric shock, burns, fire and explosions.
- ▶ Use only chargers and power tools approved for the specific battery type. Read and follow the relevant operating instructions.
- ▶ Do not use or store the battery in explosive environments.
- ▶ If the battery is too hot to touch, it may be defective. Put the battery in a place where it is clearly visible and where there is no risk of fire, at an adequate distance from flammable materials. Allow the battery to cool down. If it is still too hot to touch after an hour, the battery is faulty. Consult **Hilti** Service or read the document entitled "Instructions on safety and use for **Hilti** Li-ion batteries".



Observe the special guidelines applicable to the transport, storage and use of lithium-ion batteries. Read the instructions on safety and use of **Hilti** Li-ion batteries that you can access by scanning the QR code at the end of these operating instructions.

3 Description

3.1 Product overview



- ① Nosepiece
- ② Fastener guide
- ③ Fastener guide locking catch
- ④ Single-fastener head (BX 3-ME-22)
- ⑤ Air vents
- ⑥ Eye for tool tether
- ⑦ Belt hook
- ⑧ Safety trigger
- ⑨ Grip
- ⑩ Belt hook/scaffold hook
- ⑪ Battery release button
- ⑫ Battery status indicator
- ⑬ Li-ion battery
- ⑭ Installation opening for accessories
- ⑮ Nail pusher
- ⑯ Nail pusher release mechanism
- ⑰ Support leg
- ⑱ Magazine
- ⑲ Status indicator, fastening tool
- ⑳ Work-area light

3.1.1 Equipment

The fastener guide and the support leg are product-dependent. The support legs and fastener guides with which the product is equipped are listed in the table below.

Further information can be found in the case lid, in your **Hilti Store** or at: www.hilti.group

| Product | BX 3-22 | BX 3-L-22 | BX 3-ME-22 |
|----------------|---------------|---------------|------------|
| Fastener guide | X-FG B3 IF 02 | X-FG B3 IF 02 | X-FG B3 ME |



| Product | BX 3-22 | BX 3-L-22 | BX 3-ME-22 |
|-------------|------------|------------|---------------|
| Support leg | X-SL B3 03 | X-SL B3 03 | X-SL B3 ME 03 |

3.2 Intended use

The product is a hand-held, cordless fastening tool. It is designed to drive specially manufactured fasteners into concrete, steel, masonry, sand-lime block and other materials suitable for use of the direct fastening technique. The product is also designed to fasten electrical cables with clips if the appropriate fasteners are used. Use only approved fasteners in combination with their corresponding fastener guide (see the section headed "Technical data").

The fastening tool, battery and fasteners together form a technical entity. This means that trouble-free fastening with this fastening tool can be ensured only when the fasteners specially manufactured for the purpose by **Hilti** and the chargers and batteries recommended by **Hilti** are used. The fastening and application recommendations made by **Hilti** apply only when these conditions are observed.

- ▶ The fastening tool is for hand-held use only.
- ▶ Misuse must be ruled out. Misuse is understood to include driving fasteners into very soft materials (e.g. wood) or into excessively hard materials (e.g. high-strength steel or very hard natural stone).
- For this product, use only **Hilti** Nuron lithium-ion batteries of the B 22 series. For optimum performance, **Hilti** recommends the batteries stated in the table at the end of these operating instructions for this product.
- For these batteries, use only **Hilti** chargers of the type series stated in the table at the end of these operating instructions.

3.3 Safety devices

When using the nail magazine, the nail detector prevents triggering without a nail loaded, which could damage the fastening tool.

The contact pressure safety device is intended to prevent the free flying of nails (i.e. actuation and driving a nail when the nosepiece is not in contact with the workpiece). When using a nail magazine, the fastening tool can be pressed against the surface and triggered only when a nail is loaded in the tool.

3.4 Features

The fastening tool is equipped with an ergonomic, non-slip and vibration-absorbing grip, a belt and scaffold hook and a support leg. The fastening tool is protected against overload by electronic overload protection and from overheating by temperature monitoring.

3.5 Status indicator, fastening tool

The status indicator of the fastening tool provides information about the status of the fastening tool.

| Status | Meaning |
|--|--|
| LED is off | The fastening tool is switched off |
| The LED shows green. | The fastening tool is switched on and ready for use |
| The LED flashes green. | Battery too hot or battery too weak |
| The LED flashes green every 3 seconds. | The fastening tool is in stand-by mode. Press the nose of the tool against the working surface to switch it on |
| The LED lights blue. | The fastening tool is switched on, nail strips require to be loaded |
| LED flashes blue. | The fastening tool is switched on, the magazine is completely empty |
| The LED flashes yellow. | Fastening tool is too hot, see Troubleshooting |
| The LED flashes red. | Malfunction; see "Troubleshooting" |
| The LED shows red. | Malfunction; see "Troubleshooting" |

3.6 Status indicators of the Li-ion battery

Hilti Nuron Li-ion batteries can indicate state of charge, fault messages and the battery's state of health.



3.6.1 Indicators for state of charge and fault messages



WARNING

Risk of injury by a falling battery!

- If the release button is pressed with a battery inserted in the product, subsequently check that the battery is correctly re-engaged and secure.

Short-press the release button of the battery to get whichever of the following status indications is applicable at the time.

State of charge and, if applicable, faults are indicated constantly as long as the connected product is switched on.

| Status | Meaning |
|--------------------------------------|---|
| Four (4) LEDs show constantly green | State of charge: 100 % to 71 % |
| Three (3) LEDs show constantly green | State of charge: 70 % to 51 % |
| Two (2) LEDs show constantly green | State of charge: 50 % to 26 % |
| One (1) LED shows constantly green | State of charge: 25 % to 10 % |
| One (1) LED slow-flashes green | State of charge: < 10 % |
| One (1) LED quick-flashes green | The Li-ion battery is completely discharged. Recharge the battery. If the LED again starts quick-flashing after the battery has been charged, consult Hilti Service . |
| One (1) LED quick-flashes yellow | The Li-ion battery or the product in which it is inserted is overloaded, too hot or too cold, or experiencing some other fault. Bring the product and the battery to the recommended working temperature and do not overload the product when it is in use. If the message persists, consult Hilti Service . |
| One (1) LED shows yellow | The Li-ion battery and the product in which it is inserted are not compatible. Consult Hilti Service . |
| One (1) LED quick-flashes red | The Li-ion battery is locked and cannot be used. Consult Hilti Service . |

3.6.2 Indicators showing the battery's state of health

To check the battery's state of health, press the release button and hold it down for longer than three seconds. The system does not detect a potential malfunction of the battery due to misuse, for example battery dropped or pierced, external heat damage, etc.

| Status | Meaning |
|--|--|
| All LEDs show in sequence, followed by one (1) LED showing constantly green. | The battery can remain in use. |
| All LEDs show in sequence, followed by one (1) LED quick-flashing yellow. | The check to ascertain the battery's state of health did not complete. Repeat the procedure, or consult Hilti Service . |
| All LEDs show in sequence, followed by one (1) LED showing constantly red. | If a connected product can still be used, the remaining battery capacity is below 50 %. If a connected product can no longer be used, the battery has reached the end of its useful life and has to be replaced. Consult Hilti Service . |

3.7 Bluetooth® (optional)

The Bluetooth® word mark and logos are registered trademarks owned by Bluetooth SIG, Inc. and any use of such marks by **Hilti Corporation** is under license.

3.7.1 Intended use

This product is equipped with a Bluetooth® Low Energy Module which enables the status checking of a power tool and the transfer of settings and data based on Bluetooth® wireless technology, a data transfer



system by which the two Bluetooth-enabled products can communicate with each other over a short distance. This product is designed to enable communication and data transfers between smart phones and **Hilti** gateway. The product can submit data attributes such as location of the receiving device, runtime, total application count, application count during interval and timestamp of transfer. Information about the connectivity functions offered can be found in the respective **Hilti** application (app) or in the operating instructions of the power tool you are using.

3.7.2 Data transmission via Bluetooth®

The transmission interval can vary, depending on the available power source of the product. The signal range may vary greatly depending on external conditions, including the receiving device used. The Bluetooth® range may be significantly weaker inside closed rooms and through metallic barriers (e.g. walls, shelving units, cases, etc.). Depending on ambient conditions, several transmission intervals may be required before the tool is detected.

If the tool is not detected, check the following:

- Is the distance to the mobile terminal device too great?
→ Reduce the distance between the mobile terminal device and the tool

3.7.3 Installing and setting up the app

In order to be able to use the connectivity functions, you first have to install the respective **Hilti** app.

(1.) Download the app from an appropriate app store.



You will require a user account on the corresponding app store to do this.

(2.) After starting the app for the first time, please either log in with your account or register.

(3.) The display of your mobile terminal device will show you all the subsequent steps required to connect the power tool to the mobile terminal device.



First, fully complete the tutorial for the app. This will give you a better overview of how the connection is made and how the connectivity functions are used.

3.8 Deep discharge protection

The product has a hibernation mode to protect the Li-ion battery from deep discharge. This prevents deep discharge of the battery.

- Deep discharge protection is activated after 360 minutes.
- To deactivate deep discharge protection, remove and then reinsert the battery.

3.9 Items supplied

fastening tool, operating instructions.

Other system products approved for use with this product can be found at your local **Hilti Store** or at: www.hilti.group

4 Technical data

| | BX 3-22 | BX 3-L-22 | BX 3-ME-22 |
|---|-----------------|--------------------|-------------------|
| Weight in accordance with EPTA Procedure 01, without battery | 3.5 kg | 3.5 kg | 3.4 kg |
| Nail length (collated nails) | 14 mm ... 30 mm | 14 mm ... 36 mm | 14 mm ... 24 mm |
| Nail length (single nails) | •/• | •/• | 30 mm ... 36 mm |
| Nail diameter | 3 mm | 2.75 mm ... 3.0 mm | 3 mm |
| Magazine capacity | 30 nails | 30 nails | 20 nails |
| Compression stroke | 12 mm | 12 mm | 12 mm |
| Contact pressure | 50 N ... 70 N | 50 N ... 70 N | 50 N ... 70 N |



| | BX 3-22 | BX 3-L-22 | BX 3-ME-22 |
|--|-------------------------|-------------------------|-------------------------|
| Recommended maximum fastener driving rate at room temperature | 700/h | 700/h | 700/h |
| Rated voltage | 21.6 V | 21.6 V | 21.6 V |
| Maximum emitted transmission power, Bluetooth® | 8 dBm | 8 dBm | 8 dBm |
| Bluetooth frequency range | 2,402 MHz ... 2,480 MHz | 2,402 MHz ... 2,480 MHz | 2,402 MHz ... 2,480 MHz |
| Storage temperature | -20 °C ... 70 °C | -20 °C ... 70 °C | -20 °C ... 70 °C |
| Ambient temperature for operation | -17 °C ... 60 °C | -17 °C ... 60 °C | -17 °C ... 60 °C |

4.1 Battery

| | |
|--|---|
| Battery operating voltage | 21.6 V |
| Weight, battery | See the end of these operating instructions |
| Ambient temperature for operation | -17 °C ... 60 °C |
| Storage temperature | -20 °C ... 40 °C |
| Battery charging starting temperature | -10 °C ... 45 °C |

4.2 Noise information and vibration values in accordance with EN 62841

The sound pressure and vibration values given in these instructions were measured in accordance with a standardized test and can be used to compare one power tool with another. They can also be used for a preliminary assessment of exposure.

The data given represent the main applications of the power tool. However, if the power tool is used for different applications, with different accessory tools, or is poorly maintained, the data can vary. This can significantly increase exposure over the total working period.

An accurate estimation of exposure should also take into account the times when the tool is switched off, or when it is running but not actually being used for a job. This can significantly reduce exposure over the total working period.

Identify additional safety measures to protect the operator from the effects of noise and/or vibration, for example: maintaining the power tool and accessory tools, keeping the hands warm, organization of work patterns.

Noise information

| | | BX 3-22 | BX 3-L-22 | BX 3-ME-22 |
|--|-----------------|----------------|------------------|-------------------|
| Typical A-weighted emission sound power level (when driving nails) (L_{WA}) | Concrete | 96 dB | 96 dB | 96 dB |
| | Steel | 100 dB | 100 dB | 100 dB |
| Typical A-weighted emission sound pressure level (when driving nails) (L_{PA}) | Concrete | 85 dB | 85 dB | 85 dB |
| | Steel | 89 dB | 89 dB | 89 dB |
| Uncertainty for the given sound level (K_{WA}, K_{PA}) | | 3 dB | 3 dB | 3 dB |

Total uniaxial vibration values (in z-direction)

| | | BX 3-22 | BX 3-L-22 | BX 3-ME-22 |
|---|-----------------|----------------------|----------------------|----------------------|
| Vibration emission value (driving in nails) with B22 55 battery (a_{H}) | Concrete | 2.5 m/s ² | 2.5 m/s ² | 2.5 m/s ² |
| | Steel | 3.3 m/s ² | 3.3 m/s ² | 3.3 m/s ² |
| Vibration emission value (driving in nails) with B22 85 battery (a_{H}) | Concrete | 2.9 m/s ² | 2.9 m/s ² | 2.9 m/s ² |



| | | BX 3-22 | BX 3-L-22 | BX 3-ME-22 |
|---|-------|----------------------|----------------------|----------------------|
| Vibration emission value (driving in nails) with B22 85 battery (a _n) | Steel | 3.5 m/s ² | 3.5 m/s ² | 3.5 m/s ² |
| Uncertainty (K) | | 1.5 m/s ² | 1.5 m/s ² | 1.5 m/s ² |

5 Preparations at the workplace

WARNING

Risk of injury by inadvertent starting!

- ▶ Before inserting the battery, make sure that the product is switched off.
- ▶ Remove the battery before making any adjustments to the power tool or before changing accessories.

Observe the safety instructions and warnings in this documentation and on the product.

5.1 Charging the battery

1. Before charging the battery, read the operating instructions for the charger.
2. Make sure that the contacts on the battery and the contacts on the charger are clean and dry.
3. Use an approved charger to charge the battery. → page 7

5.2 Inserting the battery

WARNING

Risk of injury by short circuit or falling battery!

- ▶ Before inserting the battery, make sure that the contacts on the battery and the contacts on the product are free of foreign matter.
- ▶ Make sure that the battery always engages correctly.

1. Charge the battery fully before using it for the first time.
2. Push the battery into the product until it engages with an audible click.
3. Check that the battery is seated securely.

5.3 Removing the battery

1. Press the battery release button.
2. Remove the battery from the product.

5.4 Removing the fastener guide

1. Pull the nail pusher down until it engages.
2. Unload the magazine. → page 14
3. Slide the fastener guide locking catch as far as it will go in the direction of the arrow.
 - ▶ The fastener guide will be released.
4. Remove the fastener guide.

5.5 Inserting the fastener guide

1. Pull the nail pusher down until it engages.
2. Unload the magazine. → page 14
3. Slide the fastener guide locking catch as far as it will go in the direction of the arrow and hold it in this position.
4. Slide the fastener guide into the nosepiece until it is heard to engage.
5. Release the fastener guide locking catch.
 - ▶ The fastener guide jumps to the middle position.
6. Grip and pull the fastener guide to check that it is securely seated.

5.6 Working safely with the belt and scaffold hook

- ▶ Before beginning work, make sure that the belt hook / scaffold hook is securely attached to the product.



- ▶ Use the belt hook / scaffold hook only when necessary. Put the product safely aside if it is to remain unused for a lengthy period of time.

5.7 Fall arrest

WARNING

Risk of injury by falling tool and/or accessory!

- ▶ Use only the **Hilti** tool tether recommended for your product.
- ▶ Prior to each use, always check the attachment point of the tool tether for possible damage.
- ▶ Do not secure a tool tether to the belt hook. Do not use a belt hook to lift the product.



Comply with the national regulations for working at heights.

As drop arrester for this product, use only the **Hilti** tool tether #2261970.

- ▶ Use one carabiner to secure the tool tether to the product as shown in the illustration. Check that the carabiner holds securely.
- ▶ Secure the second carabiner to a load-bearing structure. Check that the carabiner holds securely.



Comply with the operating instructions of the **Hilti** tool tether.

5.8 Loading for magazine operation

CAUTION

Crush hazard! If it is allowed to snap back, the nail pusher can cause injuries and damage the fastening tool.

- ▶ When you pull down the nail pusher make sure it engages securely. Do not allow the nail pusher to snap back.
1. Pull the nail pusher down until it engages.
 2. Slide the nail strips into the magazine (a maximum of 3 strips of 10 nails).
 3. Hold the nail pusher securely and press the nail pusher release button.
 4. Guide the nail pusher back until it contacts a nail.

5.9 Loading for single-fastener mode

BX 3-ME-22

CAUTION

Crush hazard! If it is allowed to snap back, the nail pusher can cause injuries and damage the fastening tool.

- ▶ When you pull down the nail pusher make sure it engages securely. Do not allow the nail pusher to snap back.
1. Pull the nail pusher down until it engages.
 2. Slide the nail strip(s) out of the magazine and check that the magazine is empty.



Damage to the fastening tool can result if you do not remove all the nails from the magazine before using the tool in single-fastener mode.

3. Hold the nail pusher securely and press the nail pusher release mechanism.
4. Guide the nail pusher back.
5. Insert the nail into the recess in the fastener guide. Optionally, you can then also fit an approved fastening element on to the nose of the fastener guide.



Attempting to drive a fastener with more than one nail in the fastener guide can cause damage to the fastening tool. When operating the tool in single-fastener mode, load only one nail into the fastener guide.



6. Activate the single-fastener selector switch.
 - ▶ The single-fastener switch engages with an audible click.



Pulling the nail pusher down a few centimeters will disengage the single-fastener switch.

6 Operation

Observe the safety instructions and warnings in this documentation and on the product.

6.1 Using the support leg

On an even working surface, the support leg makes it easier to hold the fastening tool perpendicular as attention then only has to be paid to lateral alignment. On uneven surfaces it might be necessary to retract the support leg in order to ensure that the fastener guide is perpendicular to the working surface.

6.1.1 Retracting the support leg

1. Push against the support leg to release it from its engaged position.
2. Swing the support leg back.

6.1.2 Extending the support leg



CAUTION

Risk of pinching the fingers! When folding the support leg back there is a risk of trapping and pinching the fingers between the support leg and the casing of the tool.

- ▶ Hold the fastening tool by the grip when extending/retracting the support leg.
1. Swing the support leg forward.
 2. Push against the support leg from below until it engages in the extended position.

6.2 Switching Bluetooth (optional) off

- ▶ Press the fastening tool against the base material for 10 seconds.
 - ▶ After 6 seconds the spring element audibly relieves its tension (keep the fastening tool pressed against the base material for another 4 seconds).
 - ▶ Status indicator flashes blue 3 times.
 - ▶ Motor noise sounds 3 times.
 - ▶ No further data transfer is possible.



Bluetooth can be deactivated if you are in a sensitive environment (e.g. a hospital) where use of Bluetooth is prohibited.

To switch Bluetooth back on, remove and then re-insert the battery.

6.3 Switching the fastening tool on/off

6.3.1 Switching on the fastening tool



WARNING

Risk of injury! Pressing the nosepiece of the fastening tool against a part of the body may lead to serious injury due to inadvertent firing and release of a fastener.

- ▶ **Never press the nosepiece of the fastening tool against your hand or any other part of the body.**
1. For magazine operation, load the magazine. → page 12
 2. Insert the battery. → page 11
 - ▶ Status indicator slow-flashes green.



If you continue to operate the fastening tool after battery performance drops, the fastening tool will switch itself off automatically before damage to the battery cells occurs.

3. To switch the fastening tool on, press it against a suitable surface.
 - ▶ Fastening tool is tensioned.
 - ▶ The status indicator shows green.



6.3.2 Switching off the fastening tool

- ▶ Remove the battery. → page 11
 - ▶ The spring mechanism audibly relieves its tension and the status indicator goes out.



After 6 minutes the fastening tool generates a motor sound as an alert indicating that the fastening tool is about to switch off. After issuing this alert, the fastening tool switches off automatically.

6.4 Driving a fastener



WARNING

Risk of injury by fasteners penetrating right through!

- ▶ Before driving fasteners, check to make sure that no one is present behind or below the object into which the fastener is to be driven.



WARNING

Risk of injury by flying parts! When driving a fastener, there is a risk of injury to the body and eyes caused by splintered fragments of the workpiece and by flying parts of the nail strip.

- ▶ **Wear personal protective equipment and always wear eye protection and protective gloves.** Other persons in the vicinity must also wear eye protection and a hard hat.



WARNING

Risk of injury! Pressing the nosepiece of the fastening tool against a part of the body may lead to serious injury due to inadvertent firing and release of a fastener.

- ▶ **Never press the nosepiece of the fastening tool against your hand or any other part of the body.**

1. Before beginning the work, carry out a test by driving 2 fasteners into the material you are working on.
2. Hold the fastening tool perpendicular to the working surface and press it against the surface, pushing the fastener guide in as far as it will go.
 - ▶ The fastening tool is switched on.
3. Drive the fastener by pressing the safety trigger.
4. Lift the fastening tool completely clear of the working surface after driving a fastener.



The fastening tool changes automatically to standby mode if the fastener guide is pressed against the working surface for longer than 6 seconds without a fastener being driven. Again pressing the nosepiece against the base material reloads the fastening tool for firing.

6.5 Removing a nail when in magazine mode

1. Pull the nail pusher down until it engages.
2. Slide the nail downwards out of the magazine.
3. Hold the nail pusher securely and press the nail pusher release button.
4. Guide the nail pusher back to its original position.

6.6 Releasing a jammed nail



WARNING

There is a risk of injury and damage to the fastening tool. Use of unsuitable items instead of the recommended genuine Hilti accessories may result in injury or damage to the fastening tool.

- ▶ To release a jammed nail, use only the recommended drift punch set.



WARNING

Risk of injury by flying parts! Triggering the tool (attempting to drive a fastener) when foreign objects are present in the area around the fastener guide, or when a fastener is jammed in the fastener guide, may lead to injury caused by flying objects or fragments.

- ▶ Never attempt to clear malfunctions of the fastening tool by continuing to trigger the tool!



i Individual nails may get stuck in the fastener guide. You can remove jammed nails from the fastener guide with the aid of the X-NP drift punch set. Accessories are available from your **Hilti** Store or can be ordered online at www.hilti.group.

1. Remove the fastener guide (see → page 11).
2. Fit the fastener guide into the supporting sleeve from the drift punch set.
3. Use the drift punch and a hammer to drive the jammed nail out of the fastener guide.
4. Fit the fastener guide (see → page 11).

7 Care and maintenance

WARNING

Risk of injury with battery inserted!

- ▶ Always remove the battery before carrying out care and maintenance tasks!

Care of the product

- Carefully remove stubborn dirt.
- Carefully clean the air vents, if present, with a dry, soft brush.
- Use only a slightly damp cloth to clean the housing. Do not use cleaning agents containing silicone as these can attack the plastic parts.
- Use a dry, clean cloth to clean the contacts of the product.

Care of the Li-ion batteries

- Never use a battery with clogged air vents. Clean the air vents carefully using a dry, soft brush.
- Avoid unnecessary exposure of the battery to dust and dirt. Never expose the battery to high levels of moisture (e.g. by being dipped in water or left in the rain).
If a battery has been soaked by moisture, treat it as a damaged battery. Isolate it in a non-flammable container and consult **Hilti** Service.
- Keep the battery free of extraneous oil and grease. Do not permit dust or dirt to accumulate unnecessarily on the battery. Clean the battery with a dry, soft brush or a clean, dry cloth. Do not use cleaning agents containing silicone as these can attack the plastic parts.
Do not touch the contacts of the battery and do not remove the factory-applied grease from the contacts.
- Use only a slightly damp cloth to clean the housing. Do not use cleaning agents containing silicone as these can attack the plastic parts.

Maintenance

- Check all visible parts and controls for signs of damage at regular intervals and make sure that they all function correctly.
- Do not use the product if signs of damage are found or if parts malfunction. Immediately have the product repaired by **Hilti** Service.
- After cleaning and maintenance, install all guards and protective devices and check that they are in full working order.

i To help ensure safe and reliable operation, use only genuine Hilti spare parts and consumables. Spare parts, consumables and accessories approved by **Hilti** for use with your product can be found at your **Hilti** Store or online at: www.hilti.group

7.1 Cleaning the inside of the nosepiece

1. Remove the fastener guide. → page 11
2. Clean the inside of the nosepiece.
3. Insert the fastener guide. → page 11

8 Transport and storage of cordless tools and batteries

Transport

CAUTION

Accidental starting during transport!

- ▶ Always transport your products with the batteries removed!



- ▶ Remove the battery.
- ▶ Always transport and store the tool in a secured case.
- ▶ Never transport batteries in bulk form (loose, unprotected). During transport, batteries should be protected from excessive shock and vibration and isolated from any conductive materials or other batteries that may come in contact with the terminals and cause a short circuit. **Comply with the locally applicable regulations for transporting batteries.**
- ▶ Do not send batteries through the mail. Consult your shipper for instructions on how to ship undamaged batteries.
- ▶ Prior to each use and before and after prolonged transport, check the product and the batteries for damage.

Storage



WARNING

Accidental damage caused by defective or leaking batteries !

- ▶ Always store your products with the batteries removed!
-
- ▶ Store the product and the batteries in a cool and dry place. Comply with the temperature limits stated in the technical data.
 - ▶ Do not store batteries on the charger. Always remove the battery from the charger when the charging operation has completed.
 - ▶ Never leave batteries in direct sunlight, on sources of heat, or behind glass.
 - ▶ Store the product and batteries where they cannot be accessed by children or unauthorized persons.
 - ▶ Prior to each use and before and after prolonged storage, check the product and the batteries for damage.

9 Troubleshooting

Unless otherwise stated, all the light signals described here relate to the status indicator of the fastening tool. If a problem occurs, always observe the charge-status and fault indicator of the battery. See the section headed **Status indicators of the Li-ion battery**.

If the trouble you are experiencing is not listed in this table or you are unable to rectify the problem by yourself, please contact **Hilti Service**.

| Trouble or fault | Possible cause | Action to be taken |
|--|------------------------------------|--|
| Status indicator flashes green. | The battery is empty. | ▶ Change the battery. |
| The spring element is not tensioned, status indicator flashes green. | The battery is empty. | ▶ Change the battery. |
| The fastener guide cannot be pressed in and status indicator shows blue . | The magazine is empty. | ▶ For magazine operation, load the magazine. → page 12 |
| The fastener guide cannot be pressed in and status indicator shows green . | The nail pusher is jammed. | ▶ Remove the nail strips from the magazine and clean the magazine. |
| | Nail jammed in the fastener guide. | ▶ Release the jammed nail. → page 14 |
| There is a delay before the spring mechanism is tensioned, the status indicator flashes blue and a signal tone is emitted simultaneously; the status indicator then lights blue for 6 minutes. | The magazine is empty. | ▶ For magazine operation, load the magazine. → page 12 |
| The spring element is not re-tensioned and status indicator flashes yellow. | The fastening tool has overheated. | ▶ Allow the fastening tool to cool down. |
| | Battery temperature too high. | ▶ Allow the battery to cool down. |
| | Battery temperature too low. | ▶ Allow the battery to warm up slowly to room temperature. |



| Trouble or fault | Possible cause | Action to be taken |
|---|--|---|
| The spring element is not tensioned and the status indicator flashes red. | The fastener guide is not fitted correctly. | ▶ Insert the fastener guide. → page 11 |
| The spring element is not tensioned and the status indicator lights red. | System fault. | ▶ Contact Hilti Service . |
| The spring element is not tensioned; no status indication. | The battery is empty. | ▶ Change the battery. |
| | The battery is not fitted correctly. | ▶ Remove and then correctly reinsert the battery. → page 11 |
| | Deep discharge protection is active. | ▶ Remove and then reinsert the battery. |
| The fastener guide is jammed in the pressed-in state. | Dirt between the fastener guide and the nosepiece. | ▶ Clean the inside of the nosepiece. → page 15 |

10 Disposal



WARNING

Risk of injury due to incorrect disposal! Health hazards due to escaping gases or liquids.

- ▶ DO NOT send batteries through the mail!
- ▶ Cover the terminals with a non-conductive material (such as electrical tape) to prevent short circuiting.
- ▶ Dispose of your battery out of the reach of children.
- ▶ Dispose of the battery at your **Hilti Store**, or consult your local governmental garbage disposal or public health and safety resources for disposal instructions.

Most of the materials from which **Hilti** products are manufactured can be recycled. The materials must be correctly separated before they can be recycled. In many countries, your old tools, machines or appliances can be returned to **Hilti** for recycling. Ask **Hilti Service** or your Hilti sales representative for further information.



- ▶ Do not dispose of power tools, electronic equipment or batteries as household waste!

11 Manufacturer's warranty

- ▶ Please contact your local **Hilti** representative if you have questions about the warranty conditions.

12 Further information

For more information on operation, technology, environment and recycling, follow this link: qr.hilti.com/manual?id=2268212&id=2268213

This link is also to be found at the end of the documentation, in the form of a QR code.

Manual de instrucciones original

1 Información sobre la documentación

1.1 Acerca de esta documentación

- Lea detenidamente esta documentación antes de la puesta en servicio. Ello es imprescindible para un trabajo seguro y un manejo sin problemas.
- Respete las indicaciones de seguridad y las advertencias presentes en esta documentación y en el producto.
- Conserve este manual de instrucciones siempre junto con el producto y entregue el producto a otras personas siempre acompañado del manual.



1.2 Explicación de símbolos

1.2.1 Avisos

Las advertencias de seguridad advierten de peligros derivados del manejo del producto. Se utilizan las siguientes palabras de peligro:

PELIGRO

PELIGRO !

▶ Término utilizado para un peligro inminente que puede ocasionar lesiones graves o incluso la muerte.

ADVERTENCIA

ADVERTENCIA !

▶ Término utilizado para un posible peligro que puede ocasionar lesiones graves o incluso la muerte.







PRECAUCIÓN

PRECAUCIÓN !

▶ Término utilizado para una posible situación peligrosa que puede ocasionar lesiones o daños materiales.


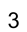


1.2.2 Símbolos en el manual de instrucciones

En este manual de instrucciones se utilizan los siguientes símbolos:

| | |
|---|--|
|  | Consulte el manual de instrucciones |
|  | Indicaciones de uso y demás información de interés |
|  | Manejo con materiales reutilizables |
|  | No tire las herramientas eléctricas y las baterías junto con los desperdicios domésticos |
|  | Hilti Batería de Ion-Litio |
|  | Hilti Cargador |

1.2.3 Símbolos en las figuras




En las figuras se utilizan los siguientes símbolos:

| | |
|---|---|
|  | Estos números hacen referencia a la figura correspondiente incluida al principio de este manual de instrucciones. |
|  | La numeración describe el orden de los pasos de trabajo en la imagen y puede ser diferente de los pasos descritos en el texto. |
|  | En la figura Vista general se utilizan números de posición y los números de la leyenda están explicados en el apartado Vista general del producto . |
|  | Preste especial atención a este símbolo cuando utilice el producto. |

1.3 Símbolos en función del producto

1.3.1 Símbolos en el producto

En el producto se pueden utilizar los siguientes símbolos:

| | |
|---|------------------------------------|
|  | Señales prescriptivas generales |
|  | Utilizar protección para los ojos |
|  | Utilizar protección para los oídos |



| | |
|--------|--|
| | Utilizar casco de protección |
| | El producto es apto para tecnología NFC, que es compatible con las plataformas iOS y Android. |
| Li-Ion | Batería de Ion-Litio |
| | Nunca utilice la batería como herramienta de percusión. |
| | No deje que la batería se caiga. No utilice baterías que hayan recibido algún golpe ni que estén dañadas de alguna otra forma. |

1.4 Información del producto

Los productos han sido diseñados para usuarios profesionales y solo personal autorizado y debidamente formado puede utilizarlos y llevar a cabo su mantenimiento y conservación. Este personal debe estar especialmente instruido en lo referente a los riesgos de uso. La utilización del producto y sus dispositivos auxiliares puede conllevar riesgos para el usuario en caso de manejarse de forma inadecuada por personal no cualificado o utilizarse para usos diferentes a los que están destinados.

La denominación del modelo y el número de serie están indicados en la placa de identificación.

- ▶ Escriba el número de serie en la siguiente tabla. Necesitará los datos del producto para realizar consultas a nuestros representantes o al Departamento de Servicio Técnico.

Datos del producto

| | |
|--------------|----------------------------------|
| Fijadora | BX 3-22 BX 3-L-22 BX 3-ME-22 |
| Generación | 03 |
| N.º de serie | |

1.5 Declaración de conformidad

Bajo su exclusiva responsabilidad, el fabricante declara que el producto aquí descrito cumple con la legislación y normas vigentes. Encontrará una reproducción de la declaración de conformidad al final de esta documentación.

La documentación técnica se encuentra depositada aquí:

Hilti Entwicklungsgesellschaft mbH | Zulassung Geräte | Hiltistraße 6 | 86916 Kaufering, DE

2 Seguridad

2.1 Indicaciones generales de seguridad para herramientas eléctricas

⚠ ADVERTENCIA Lea con atención todas las indicaciones de seguridad, instrucciones, ilustraciones y datos técnicos correspondientes a esta herramienta eléctrica. La negligencia en el cumplimiento de las instrucciones que se describen a continuación podría provocar descargas eléctricas, incendios o lesiones graves.

Conserve todas las instrucciones e indicaciones de seguridad para futuras consultas.

El término «herramienta eléctrica» empleado en las indicaciones de seguridad se refiere a herramientas eléctricas portátiles, ya sea con cable de red o sin cable, en caso de ser accionadas por batería.

Seguridad en el puesto de trabajo

- ▶ **Mantenga su área de trabajo limpia y bien iluminada.** El desorden o una iluminación deficiente de las zonas de trabajo pueden provocar accidentes.
- ▶ **No utilice la herramienta eléctrica en un entorno con peligro de explosión en el que se encuentren líquidos, gases o polvos inflamables.** Las herramientas eléctricas producen chispas que pueden llegar a inflamar los materiales en polvo o vapores.
- ▶ **Mantenga alejados a los niños y otras personas de su puesto de trabajo al emplear la herramienta eléctrica.** Una distracción le puede hacer perder el control sobre la herramienta.

Seguridad eléctrica

- ▶ **El enchufe de la herramienta eléctrica debe corresponder a la toma de corriente utilizada. No se deberá modificar el enchufe en forma alguna. No utilice enchufes adaptadores para las herramientas eléctricas con puesta a tierra.** Los enchufes sin modificar adecuados a las respectivas tomas de corriente reducen el riesgo de descarga eléctrica.



- ▶ **Evite el contacto corporal con superficies que tengan puesta a tierra, como pueden ser tubos, calefacciones, cocinas y frigoríficos.** El riesgo a quedar expuesto a una sacudida eléctrica es mayor si su cuerpo tiene contacto con tierra.
- ▶ **No exponga las herramientas eléctricas a la lluvia y evite que penetren líquidos en su interior.** El riesgo de recibir descargas eléctricas aumenta si penetra agua en la herramienta eléctrica.
- ▶ **No utilice el cable de conexión para transportar o colgar la herramienta eléctrica ni tire de él para extraer el enchufe de la toma de corriente. Mantenga el cable de conexión alejado de fuentes de calor, aceite, aristas afiladas o piezas móviles.** Los cables de conexión dañados o enredados pueden provocar descargas eléctricas.
- ▶ **Cuando trabaje al aire libre con una herramienta eléctrica, utilice exclusivamente un alargador adecuado para exteriores.** La utilización de un alargador adecuado para su uso en exteriores evita el riesgo de una descarga eléctrica.
- ▶ **Cuando no pueda evitarse el uso de la herramienta eléctrica en un entorno húmedo, utilice un interruptor de corriente de defecto.** La utilización de un interruptor de corriente de defecto evita el riesgo de una descarga eléctrica.

Seguridad de las personas

- ▶ **Permanezca atento, preste atención durante el trabajo y utilice la herramienta eléctrica con prudencia. No utilice una herramienta eléctrica si está cansado, ni tampoco después de haber consumido alcohol, drogas o medicamentos.** Un momento de descuido al utilizar la herramienta eléctrica podría producir graves lesiones.
- ▶ **Utilice el equipo de seguridad personal adecuado y lleve siempre gafas protectoras.** El riesgo de lesiones se reduce considerablemente si, según el tipo y la aplicación de la herramienta eléctrica empleada, se utiliza un equipo de seguridad personal adecuado como una mascarilla antipolvo, zapatos de seguridad con suela antideslizante, casco de protección o protección para los oídos.
- ▶ **Evite una puesta en servicio fortuita de la herramienta. Asegúrese de que la herramienta eléctrica está apagada antes de alzarla, transportarla, conectarla a la toma de corriente o insertar la batería.** Si transporta la herramienta eléctrica sujetándola por el interruptor de conexión/desconexión o si introduce el enchufe en la toma de corriente con la herramienta conectada, podría producirse un accidente.
- ▶ **Retire las herramientas de ajuste o llaves fijas antes de conectar la herramienta eléctrica.** Una herramienta o llave colocada en una pieza giratoria puede producir lesiones al ponerse en funcionamiento.
- ▶ **Evite adoptar posturas forzadas. Procure que la postura sea estable y manténgase siempre en equilibrio.** De esta forma podrá controlar mejor la herramienta eléctrica en caso de presentarse una situación inesperada.
- ▶ **Utilice ropa adecuada. No utilice vestimenta amplia ni joyas. Mantenga su pelo, vestimenta y guantes alejados de las piezas móviles.** La vestimenta suelta, las joyas y el pelo largo se pueden enganchar con las piezas en movimiento.
- ▶ **Siempre que sea posible montar equipos de aspiración o captación de polvo, asegúrese de que están conectados y de que se utilizan correctamente.** El uso de un sistema de aspiración de polvo reduce los riesgos derivados del polvo.
- ▶ **No se crea a salvo de cualquier riesgo ni pase por alto ninguna de las normas de seguridad relativas a las herramientas eléctricas, aun cuando esté familiarizado con la herramienta eléctrica y tenga larga experiencia en su uso.** Una actuación negligente puede provocar lesiones graves en cuestión de segundos.

Uso y manejo de la herramienta eléctrica

- ▶ **No sobrecargue la herramienta. Utilice la herramienta eléctrica adecuada para el trabajo que se dispone a realizar.** Con la herramienta eléctrica apropiada podrá trabajar mejor y de modo más seguro dentro del margen de potencia indicado.
- ▶ **No utilice herramientas eléctricas con el interruptor defectuoso.** Las herramientas eléctricas que no se puedan conectar o desconectar son peligrosas y deben repararse.
- ▶ **Extraiga el enchufe de la toma de corriente o retire la batería extraíble antes de efectuar cualquier ajuste en la herramienta, cambiar accesorios o en caso de no utilizar la herramienta durante un tiempo prolongado.** Esta medida preventiva evita el riesgo de arranque accidental de la herramienta eléctrica.
- ▶ **Guarde las herramientas eléctricas que no utilice fuera del alcance de los niños. No permita utilizar la herramienta a ninguna persona que no esté familiarizada con ella o que no haya leído este manual de instrucciones.** Las herramientas eléctricas utilizadas por personas inexpertas son peligrosas.
- ▶ **Cuide su herramienta eléctrica y los accesorios adecuadamente. Compruebe si las piezas móviles de la herramienta funcionan correctamente y sin atascarse, y si existen piezas rotas o deterioradas que pudieran afectar al funcionamiento de la herramienta eléctrica. Encargue la reparación de las**



piezas defectuosas antes de usar la herramienta eléctrica. Muchos accidentes son consecuencia de un mantenimiento inadecuado de la herramienta eléctrica.

- ▶ **Mantenga los útiles limpios y afilados.** Las herramientas de corte bien cuidadas y con aristas afiladas se atascan menos y se guían con más facilidad.
- ▶ **Utilice la herramienta eléctrica, los accesorios, útiles de inserción, etc., de acuerdo con estas instrucciones. Para ello, tenga en cuenta las condiciones de trabajo y la tarea que se va a realizar.** El uso de herramientas eléctricas para trabajos diferentes de aquellos para los que han sido concebidas puede resultar peligroso.
- ▶ **Mantenga las empuñaduras y las superficies de contacto secas, limpias y sin residuos de aceite o grasa.** Las empuñaduras y superficies de contacto resbaladizas impiden manejar y controlar la herramienta eléctrica con seguridad en situaciones imprevistas.

Uso y manejo de la herramienta de batería

- ▶ **Cargue las baterías únicamente con los cargadores recomendados por el fabricante.** Existe riesgo de incendio al intentar cargar baterías de un tipo diferente al previsto para el cargador.
- ▶ **Utilice únicamente las baterías previstas para la herramienta eléctrica.** El uso de otro tipo de baterías puede provocar daños e incluso incendios.
- ▶ **Si no utiliza la batería, guárdela separada de clips, monedas, llaves, clavos, tornillos y demás objetos metálicos que pudieran puentear sus contactos.** El cortocircuito de los contactos de la batería puede causar quemaduras o incendios.
- ▶ **La utilización inadecuada de la batería puede provocar fugas de líquido. Evite el contacto con este líquido. En caso de contacto accidental, enjuague el área afectada con abundante agua. En caso de contacto con los ojos, acuda además inmediatamente a un médico.** El líquido de la batería puede irritar la piel o producir quemaduras.
- ▶ **No utilice baterías dañadas o modificadas.** Una batería dañada o modificada puede tener un comportamiento imprevisible y provocar incendios, explosiones o riesgo de lesiones.
- ▶ **No exponga la batería al fuego o a temperaturas muy elevadas.** El fuego o las temperaturas superiores a 130 °C (265 °F) pueden provocar una explosión.
- ▶ **Siga todas las instrucciones relativas a la carga y no cargue nunca la batería o la herramienta de batería excediendo el rango de temperatura indicado en el manual de instrucciones.** Una carga incorrecta o fuera del rango de temperatura permitido puede destruir la batería y aumentar el riesgo de incendio.

Servicio Técnico

- ▶ **Solicite que un profesional lleve a cabo la reparación de su herramienta eléctrica y que utilice exclusivamente piezas de repuesto originales.** Solamente así se garantiza la seguridad de la herramienta.
- ▶ **No realice nunca el mantenimiento de baterías dañadas.** Cualquier mantenimiento de las baterías debe llevarlo a cabo el fabricante o un centro del Servicio de Atención al Cliente autorizado.

2.2 Indicaciones de seguridad para herramientas de fijación

- ▶ **Parta siempre de la base de que la herramienta eléctrica contiene clavos.** Un manejo imprudente de la herramienta de fijación puede provocar un disparo inesperado de clavos y causar lesiones.
- ▶ **No oriente nunca la herramienta eléctrica hacia sí mismo ni hacia otras personas que se encuentren alrededor.** Si se produce un disparo inesperado, puede desprenderse un clavo y provocar lesiones.
- ▶ **No accione la herramienta eléctrica hasta que se haya colocado con firmeza sobre la pieza de trabajo.** Si la herramienta eléctrica no está en contacto con la pieza de trabajo, los clavos pueden rebotar desde el punto de fijación.
- ▶ **Desconecte la herramienta de la red eléctrica o desconecte la batería en el caso de que un clavo se atasque en el interior de la herramienta eléctrica.** Si la herramienta de fijación está conectada a la red eléctrica, puede activarse por error al extraer un clavo firmemente enclavado.
- ▶ **Proceda con cuidado al extraer un clavo que esté firmemente enclavado.** El sistema puede estar sometido a tensión y el clavo podría salir disparado con fuerza mientras usted intenta desatascar la herramienta.
- ▶ **Al fijar conductores eléctricos, asegúrese de que no estén bajo tensión. Sujete la herramienta de fijación únicamente por las empuñaduras aisladas. Utilice exclusivamente clavos apropiados para la instalación de conductores eléctricos. Compruebe que el clavo no haya dañado el recubrimiento aislante del conductor eléctrico.** Si un clavo daña el recubrimiento aislante del conductor eléctrico, existe riesgo de descarga eléctrica e incendio.



2.3 Indicaciones de seguridad

Requisitos para el usuario

- ▶ Solo puede utilizar o reparar este producto si está autorizado y posee la formación necesaria para ello.

Equipo de seguridad personal

- ▶ Durante el uso de la herramienta, el operario y las personas que se encuentren en las inmediaciones deben usar protección para los ojos, protección para los oídos y casco de protección.

Seguridad de las personas

- ▶ Observe las indicaciones sobre el funcionamiento, cuidado y mantenimiento incluidas en el manual de instrucciones.
- ▶ Permanezca vigilante, preste atención durante el trabajo y sea prudente al trabajar con una fijadora. No utilice el producto si está cansado, ni tampoco después de haber consumido alcohol, drogas o medicamentos. Interrumpa inmediatamente el trabajo si siente dolor o cualquier otra molestia. Un momento de descuido al utilizar la fijadora podría producir graves lesiones.
- ▶ Evite adoptar malas posturas. Procure que la postura sea estable y manténgase siempre en equilibrio.
- ▶ Utilice calzado antideslizante.
- ▶ Nunca tire el guía clavos o los elementos de fijación hacia atrás con la mano.
 - ▶ En determinadas circunstancias, es posible que el producto se prepare para funcionar al retirar el guía clavos o el elemento de fijación con la mano. La herramienta puede hacer fijaciones incluso sobre partes del cuerpo.
- ▶ Mantenga siempre los brazos ligeramente doblados (nunca estirados) al accionar el producto.
- ▶ Mientras se está trabajando, mantenga alejadas del radio de acción de la herramienta a otras personas, especialmente a los niños.
- ▶ - Riesgo de lesiones en caso de caída de herramientas o accesorios. Antes de iniciar el trabajo, compruebe que la batería y los accesorios montados estén bien fijados.
- ▶ Mantenga siempre las rejillas de ventilación despejadas. Riesgo de quemaduras debido a rejillas de ventilación cubiertas.
- ▶ No mire directamente hacia la luz (LED) ni dirija la luz a la cara de otras personas. Existe riesgo de deslumbramiento.

Manipulación y utilización segura de fijadoras

- ▶ Peligro por elementos de fijación que pueden romperse. Antes de colocar los elementos de fijación, asegúrese de que nadie se encuentra detrás o debajo del componente en el que se ha colocado el elemento de fijación.
- ▶ Utilice el producto adecuado para su trabajo. No utilice el producto para fines no previstos, sino únicamente de forma reglamentaria y en perfecto estado.
- ▶ Vigile en todo momento el producto cargado.
- ▶ Descargue siempre el producto antes de efectuar trabajos de limpieza, reparación o mantenimiento, al cambiar el guía clavos, antes de interrumpir el trabajo y antes de guardarla (elemento de fijación).
- ▶ Los productos que no se utilicen deben guardarse descargados en un lugar seco y cerrado al que no puedan acceder niños.
- ▶ Compruebe que el producto y los accesorios no presenten daños. Compruebe que los componentes móviles funcionen correctamente y no estén atascados, y que las piezas no estén dañadas.
 - ▶ Para garantizar un funcionamiento adecuado del producto, las piezas deben estar correctamente montadas y cumplir todas las condiciones necesarias. Las piezas dañadas deben repararse o sustituirse de forma pertinente por el Servicio Técnico de **Hilti** si no se especifica lo contrario en el manual de instrucciones.
- ▶ Antes de empezar a trabajar, compruebe si la zona de trabajo oculta cables eléctricos, tuberías de gas o cañerías de agua. Las partes metálicas exteriores del producto pueden provocar una descarga eléctrica o una explosión si se daña un cable eléctrico, una tubería de gas o una cañería de agua.
- ▶ No coloque elementos de fijación en una superficie de trabajo inapropiada.
 - ▶ Se consideran materiales inapropiados el acero soldado y acero fundido, el hierro fundido, el vidrio, el mármol, el plástico, el bronce, el latón, el cobre, los materiales aislantes, el ladrillo hueco, el ladrillo cerámico, la chapa fina (<4 mm) y el hormigón poroso. El uso de estos materiales puede provocar la rotura o astillamiento del elemento de fijación, o una inserción incorrecta del mismo.
- ▶ Accione el gatillo solo cuando el producto se encuentre en posición totalmente perpendicular a la superficie de trabajo.
- ▶ Sujete el producto durante la fijación siempre en ángulo recto respecto a la superficie de trabajo, para evitar la desviación del elemento de fijación respecto a la superficie de trabajo.
- ▶ Mantenga las empuñaduras secas, limpias y sin residuos de aceite o grasa.



- ▶ No deje caer nunca el producto.
- ▶ No utilice el cargador a modo de asidero.
- ▶ No utilice el producto en lugares donde exista peligro de incendio o explosión, a menos que esté especialmente homologado para ello.
- ▶ No introduzca elementos de fijación en orificios ya existentes, excepto si así lo recomienda **Hilti** (p. ej. DX-Kwik).

Medidas de seguridad mecánicas

- ▶ No manipule ni realice modificaciones en el producto ni en los accesorios, especialmente en el pistón.
- ▶ Utilice exclusivamente elementos de fijación diseñados y homologados para el producto.

Medidas de seguridad térmicas

- ▶ No sobrepase la frecuencia de fijación máxima recomendada.
- ▶ En caso de sobrecalentamiento, deje enfriar el producto.
- ▶ No desmonte el producto mientras esté caliente. Deje enfriar el producto.

2.4 Manipulación y utilización segura de las baterías

- ▶ **Tenga en cuenta las siguientes indicaciones de seguridad para el manejo y el uso seguros de las baterías de Ion-Litio.** En caso de no respetarlas, puede llevar a irritación de la piel, lesiones corrosivas graves, quemaduras químicas, fuego o explosiones.
- ▶ Utilice las baterías solo si están en perfecto estado técnico.
- ▶ Manipule las baterías con cuidado a fin de evitar daños o escapes de líquido altamente peligroso para su salud.
- ▶ Las baterías no deben modificarse ni manipularse en ningún caso.
- ▶ Las baterías no se deben destruir, comprimir, calentar por encima de 80 °C (176 °F) o quemar.
- ▶ No utilice ni cargue baterías que hayan recibido algún golpe ni que estén dañadas de alguna otra forma. Compruebe con regularidad si las baterías presentan signos de daños.
- ▶ No utilice nunca baterías recicladas o reparadas.
- ▶ Nunca utilice la batería o una herramienta eléctrica de batería como herramienta de percusión.
- ▶ No exponga nunca las baterías a radiación solar directa, temperaturas elevadas, chispas o llamas abiertas. Esto puede provocar explosiones.
- ▶ No toque los polos de la batería con los dedos, con herramientas, con joyas o con otros objetos conductores de la electricidad. Esto puede dañar la batería y provocar otros daños materiales y lesiones.
- ▶ Mantenga las baterías alejadas de la lluvia, la humedad y los líquidos. Si entra humedad, pueden producirse cortocircuitos, descargas eléctricas, quemaduras, incendios y explosiones.
- ▶ Utilice únicamente cargadores y herramientas eléctricas concebidos para este tipo de baterías. Para ello, consulte las indicaciones recogidas en el manual de instrucciones correspondiente.
- ▶ No utilice ni almacene la batería en entornos con peligro de explosión.
- ▶ Si al tocar la batería detecta que está muy caliente, puede deberse a una avería en la misma. Coloque la batería en un lugar visible, no inflamable, a suficiente distancia de otros materiales inflamables. Deje que la batería se enfríe. Si, después de una hora, la herramienta sigue estando demasiado caliente para tocarla significa que está averiada. Diríjase al Servicio Técnico de **Hilti** o lea el documento «Indicaciones de seguridad y uso de las baterías de Ion-Litio de **Hilti**».



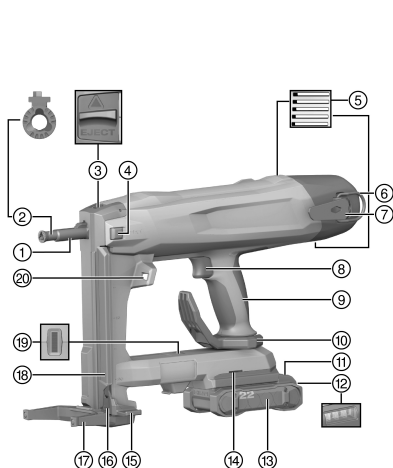
Tenga en cuenta las directivas especiales aplicables al transporte, almacenamiento y uso de las baterías de Ion-Litio.

Lea las instrucciones de seguridad y uso de las baterías de Ion-Litio de **Hilti**, que puede encontrar escaneando el código QR que se encuentra al final de estas instrucciones de uso.



3 Descripción

3.1 Vista general del producto



- ① Punta de la herramienta
- ② Guía clavos
- ③ Bloqueo del guía clavos
- ④ Botón de fijación única (BX 3-ME-22)
- ⑤ Rejillas de ventilación
- ⑥ Ojal para cuerda de amarre para herramientas
- ⑦ Colgador de cinturón
- ⑧ Disparador de seguridad
- ⑨ Empuñadura
- ⑩ Colgador de cinturón/colgador de andamio
- ⑪ Tecla de desbloqueo de la batería
- ⑫ Indicador de estado de la batería
- ⑬ Batería de Ion-Litio
- ⑭ Abertura de montaje para accesorios
- ⑮ Guía deslizante de clavos
- ⑯ Desbloqueo de la guía deslizante de clavos
- ⑰ Pie de apoyo
- ⑱ Cargador
- ⑲ Indicador del estado de la fijadora
- ⑳ Iluminación del área de trabajo

3.1.1 Equipamiento

El guía clavos y el pie de apoyo dependen del producto. La siguiente tabla muestra el pie de apoyo y el guía clavos con los que está equipado el producto.

Encontrará más información en la tapa del maletín, en su **Hilti Store** o en: www.hilti.group

| Producto | BX 3-22 | BX 3-L-22 | BX 3-ME-22 |
|--------------|---------------|---------------|---------------|
| Guía clavos | X-FG B3 IF 02 | X-FG B3 IF 02 | X-FG B3 ME |
| Pie de apoyo | X-SL B3 03 | X-SL B3 03 | X-SL B3 ME 03 |

3.2 Uso conforme a las prescripciones

El producto es una fijadora con alimentación por batería de guiado manual. Está diseñada para la colocación de elementos de fijación especiales en hormigón, acero, mampostería, piedra arenisca calcárea y otras superficies de trabajo apropiadas para el montaje directo. El producto también es adecuado para fijar conductores eléctricos con clips si para ello se utilizan elementos de fijación apropiados. Utilice exclusivamente elementos de fijación autorizados junto con el guía clavos adecuado para los mismos (véase el capítulo «Datos técnicos»).

La fijadora, la batería y los elementos de fijación forman una unidad técnica. Esto significa que con esta fijadora solo es posible garantizar una fijación perfecta si se utilizan los elementos de fijación de **Hilti** diseñados específicamente para esta herramienta y los cargadores y baterías recomendados por **Hilti**. Las recomendaciones de utilización y fijación de **Hilti** son válidas exclusivamente si se cumplen estas condiciones.

- ▶ La fijadora solo está indicada para una utilización manual.
- ▶ No se excluye el riesgo de fallos en la aplicación. Como fallos en la aplicación se entienden fijaciones en superficies de trabajo muy blandas (p. ej., madera) o muy duras (p. ej., acero de alta resistencia o piedra natural muy dura).
- Para este producto utilice únicamente baterías Li-Ion de la serie B 22 de **Hilti** Nuron. Para garantizar que este producto ofrece un rendimiento óptimo, **Hilti** recomienda utilizar las baterías indicadas en la tabla que encontrará al final de este manual de instrucciones.
- Para estas baterías utilice exclusivamente los cargadores **Hilti** de las series indicadas en la tabla que encontrará al final de este manual de instrucciones.



3.3 Dispositivos de seguridad

En el funcionamiento con cargador, la detección de clavos permite evitar fijaciones erróneas que podrían dañar la fijadora.

La función de la protección mediante presión es evitar la fijación accidental de clavos. En el funcionamiento con cargador, la fijadora solo puede presionarse y dispararse cuando haya un clavo introducido.

3.4 Observaciones sobre el equipamiento

La fijadora incorpora una empuñadura reductora de vibraciones ergonómica y antideslizante, un colgador de cinturón / de andamio y un pie de apoyo. La fijadora cuenta con una protección electrónica contra sobrecarga para protegerla contra sobrecargas y un control de temperatura como protección contra sobrecalentamiento.

3.5 Indicador del estado de la fijadora

El indicador de estado de la fijadora proporciona información sobre los estados de la fijadora.

| Estado | Significado |
|---|---|
| El LED está apagado | La fijadora está desconectada |
| El LED está encendido en verde. | La fijadora está conectada y lista para funcionar |
| El LED parpadea en verde. | La batería está demasiado caliente o demasiado baja |
| El LED parpadea en verde cada 3 segundos. | La fijadora está en modo standby; presionar la punta de la herramienta para activar la fijadora |
| El LED está encendido en azul. | La fijadora está conectada; recargar la tira de clavos |
| El LED parpadea en azul. | La fijadora está conectada; el cargador está totalmente vacío |
| El LED parpadea en amarillo. | La fijadora está demasiado caliente, véase la tabla de anomalías |
| El LED parpadea en rojo. | Avería en la herramienta; véase la tabla de anomalías |
| El LED está encendido en rojo. | Avería en la herramienta; véase la tabla de anomalías |

3.6 Mostrar la batería Ion-Litio

Las baterías de Ion-Litio de Hilti Nuron pueden mostrar el estado de carga, los mensajes de error y el estado de la batería.

3.6.1 Visualización del estado de carga y de los mensajes de error



ADVERTENCIA

Riesgo de lesiones por la caída de la batería

- ▶ Con la batería colocada, asegúrese tras pulsar la tecla de desbloqueo de que la batería vuelva a encajar correctamente en el producto empleado.

Para recibir una de las siguientes indicaciones, pulse brevemente la tecla de desbloqueo de la batería. El estado de carga y las posibles averías también se muestran de forma permanente mientras el producto esté conectado.

| Estado | Significado |
|--|-------------------------------|
| Cuatro (4) LED encendidos permanentemente en verde | Estado de carga: 100 % a 71 % |
| Tres (3) LED encendidos permanentemente en verde | Estado de carga: 70 % a 51 % |
| Dos (2) LED se iluminan permanentemente en verde | Estado de carga: 50 % a 26 % |
| Un (1) LED está encendido permanentemente en verde | Estado de carga: 25 % a 10 % |



| Estado | Significado |
|---|---|
| Un (1) LED parpadea lentamente en verde | Estado de carga: < 10 % |
| Un (1) LED parpadea rápidamente en verde | La batería Ion-Litio está totalmente descargada. Cargue la batería. Si tras cargar la batería el LED sigue parpadeando rápidamente, diríjase al Servicio Técnico de Hilti . |
| Un (1) LED parpadea rápidamente en amarillo | La batería de Ion-Litio o el producto conectado a ella están sobrecargados, demasiado calientes, demasiado fríos o existe otro error. Ponga el producto y la batería en la temperatura de trabajo recomendada y no sobrecargue el producto durante su uso. Si sigue viendo el mensaje, diríjase al Servicio Técnico de Hilti . |
| Un (1) LED está encendido en amarillo | La batería Ion-Litio y el producto conectado a ella no son compatibles. Diríjase al servicio técnico de Hilti . |
| Un (1) LED parpadea rápidamente en rojo | La batería Ion-Litio está bloqueada y no puede seguir utilizándose. Diríjase al servicio técnico de Hilti . |

3.6.2 Visualización del estado de la batería

Para consultar el estado de la batería, mantenga la tecla de desbloqueo pulsada durante más de tres segundos. El sistema no detecta un posible funcionamiento incorrecto de la batería debido a un mal uso, como caídas, hendiduras, daños por calor externo, etc.

| Estado | Significado |
|---|--|
| Todos los LED se encienden como luz en movimiento y, a continuación, se enciende un (1) LED permanentemente en verde. | La batería puede seguir utilizándose. |
| Todos los LED se encienden como luz en movimiento y, a continuación, parpadea un (1) LED rápidamente en amarillo. | No se ha podido completar la consulta sobre el estado de la batería. Repita la operación o diríjase al Servicio Técnico de Hilti . |
| Todos los LED se encienden como luz en movimiento y, a continuación, parpadea un (1) LED permanentemente en rojo. | Cuando un producto conectado puede seguir utilizándose, la capacidad restante de la batería es inferior al 50 %. Cuando un producto conectado ya no puede seguir utilizándose, la batería ha llegado al final de su vida útil y debe ser sustituida. Diríjase al servicio técnico de Hilti . |

3.7 Bluetooth® (opcional)

La marca nominativa Bluetooth®, así como los símbolos gráficos (logos) son marcas comerciales registradas y propiedad de Bluetooth SIG, Inc. El uso de estas marcas nominativas/símbolos gráficos por parte de **Hilti Aktiengesellschaft** se realiza bajo licencia.

3.7.1 Uso de forma reglamentaria

Este producto está equipado con un módulo de baja energía Bluetooth® que permite la comprobación del estado de una herramienta eléctrica, así como la transmisión de ajustes y datos basados en la tecnología inalámbrica de Bluetooth®, que permite una transferencia de datos inalámbrica con la que dos productos compatibles con Bluetooth se pueden comunicar a corta distancia. Este producto está diseñado para permitir la comunicación y la transferencia de datos con teléfonos móviles) y **Hilti Gateways**. El producto puede transmitir datos como la ubicación de la terminal receptora, el tiempo de funcionamiento, el número total de aplicaciones, el número de aplicaciones durante el intervalo y la fecha y hora de la transferencia. Para obtener información sobre las funciones de conectividad, consulte la aplicación **Hilti** correspondiente o el manual de instrucciones de la herramienta eléctrica utilizada.



3.7.2 Transferencia de datos mediante Bluetooth®

Puede modificar el intervalo de transferencia en función de la fuente de energía disponible en el producto. El alcance puede variar mucho según las condiciones exteriores, teniendo en cuenta la herramienta de recepción utilizada. En los espacios cerrados y a través de barreras metálicas (p. ej. paredes, estanterías, el maletín, etc.) es posible que el alcance del Bluetooth® disminuya significativamente. Según los entornos que se describen a continuación, se requieren varios intervalos de transmisión para la detección de la herramienta eléctrica.

Si la herramienta eléctrica no puede detectarse, compruebe lo siguiente:

¿La separación respecto al terminal móvil es demasiado grande?

→ Reduzca la distancia entre el terminal móvil y la herramienta eléctrica

3.7.3 Instalación y ajuste de la aplicación

Para utilizar las funciones de conectividad, primero debe instalar la aplicación **Hilti** correspondiente.

(1.) Descargue la aplicación desde la tienda de aplicaciones de su preferencia.



Se requiere una cuenta de usuario en la tienda de aplicaciones correspondiente.

(2.) Después de iniciar la aplicación por primera vez, inicie sesión con su cuenta o regístrese.

(3.) La pantalla de su terminal móvil mostrará todos los pasos adicionales para conectar la herramienta eléctrica al terminal móvil.



En primer lugar, complete el tutorial de la aplicación de la herramienta. Esto le dará una mejor visión general del proceso de conexión y de cómo utilizar las funciones de conectividad.

3.8 Protección de descarga profunda

El producto dispone de un modo de reposo para proteger la batería de Ion-Litio contra una descarga total. De este modo se evita que la batería se descargue totalmente.

- La protección de descarga profunda se activará tras 360 minutos.
- Para desactivar la protección de descarga profunda, extraiga la batería y vuelva a introducirla.

3.9 Suministro

Fijadora, manual de instrucciones.

Encontrará otros productos del sistema autorizados para su producto en su **Hilti Store** o en Internet, en: www.hilti.group

4 Datos técnicos

| | BX 3-22 | BX 3-L-22 | BX 3-ME-22 |
|--|-----------------|--------------------|-------------------|
| Peso según EPTA Procedure 01 sin batería | 3,5 kg | 3,5 kg | 3,4 kg |
| Longitud del clavo en el funcionamiento con cargador | 14 mm ... 30 mm | 14 mm ... 36 mm | 14 mm ... 24 mm |
| Longitud del clavo en el modo de funcionamiento de fijación única | / | / | 30 mm ... 36 mm |
| Diámetro del clavo | 3 mm | 2,75 mm ... 3,0 mm | 3 mm |
| Capacidad del cargador | 30 clavos | 30 clavos | 20 clavos |
| Recorrido de presión | 12 mm | 12 mm | 12 mm |
| Fuerza de apriete | 50 N ... 70 N | 50 N ... 70 N | 50 N ... 70 N |
| Frecuencia de fijación máxima recomendada a temperatura ambiente | 700/h | 700/h | 700/h |
| Tensión nominal | 21,6 V | 21,6 V | 21,6 V |



| | BX 3-22 | BX 3-L-22 | BX 3-ME-22 |
|---|-------------------------|-------------------------|-------------------------|
| Potencia de transmisión radiada máxima de Bluetooth® | 8 dBm | 8 dBm | 8 dBm |
| Rango de frecuencia Bluetooth | 2.402 MHz ... 2.480 MHz | 2.402 MHz ... 2.480 MHz | 2.402 MHz ... 2.480 MHz |
| Temperatura de almacenamiento | -20 °C ... 70 °C | -20 °C ... 70 °C | -20 °C ... 70 °C |
| Temperatura ambiente en funcionamiento | -17 °C ... 60 °C | -17 °C ... 60 °C | -17 °C ... 60 °C |

4.1 Batería

| | |
|---|--|
| Tensión de servicio de la batería | 21,6 V |
| Peso batería | Véase al final del manual de instrucciones |
| Temperatura ambiente en funcionamiento | -17 °C ... 60 °C |
| Temperatura de almacenamiento | -20 °C ... 40 °C |
| Temperatura de la batería al comenzar la carga | -10 °C ... 45 °C |

4.2 Información sobre la emisión de ruidos y valores de vibración según EN 62841

Los valores de vibración y de presión acústica indicados en estas instrucciones han sido medidos conforme a los procedimientos de medición homologados y pueden utilizarse para la comparación de diferentes herramientas eléctricas. También resultan útiles para realizar un análisis de los riesgos de exposición.

Los datos indicados son específicos para las aplicaciones principales de la herramienta eléctrica. Los datos pueden, no obstante, registrar variaciones si la herramienta eléctrica se emplea para otras aplicaciones o con útiles de inserción distintos, o si se ha efectuado un mantenimiento insuficiente de la herramienta. En estos casos, los riesgos de exposición podrían aumentar considerablemente durante toda la sesión de trabajo.

A fin de obtener un análisis preciso de los riesgos de exposición, también deben tenerse en cuenta los períodos en los que la herramienta está desconectada o está en marcha, pero no realmente en uso. De este modo, los riesgos de exposición podrían reducirse considerablemente durante toda la sesión de trabajo.

Adopte medidas de seguridad adicionales para proteger al usuario del efecto del ruido y de las vibraciones, como por ejemplo: mantenimiento de la herramienta eléctrica y los útiles de inserción, mantener las manos calientes, organización de los procesos de trabajo, etc.

Información sobre la emisión de ruidos

| | | BX 3-22 | BX 3-L-22 | BX 3-ME-22 |
|---|------------------|---------|-----------|------------|
| Nivel típico de potencia acústica de emisión con ponderación A (en la penetración por impacto de clavos) (L_{WA}) | Hor-migón | 96 dB | 96 dB | 96 dB |
| | Acero | 100 dB | 100 dB | 100 dB |
| Nivel medio de presión acústica de emisión con ponderación A (en la penetración por impacto de clavos) (L_{pA}) | Hor-migón | 85 dB | 85 dB | 85 dB |
| | Acero | 89 dB | 89 dB | 89 dB |
| Incertidumbre para el nivel acústico mencionado (K_{WA}, K_{pA}) | | 3 dB | 3 dB | 3 dB |

Valores de vibración monoaxiales (en dirección z)

| | | BX 3-22 | BX 3-L-22 | BX 3-ME-22 |
|---|------------------|----------------------|----------------------|----------------------|
| Valor de emisión de vibraciones (en la penetración por impacto de clavos) con la batería B22 55 (a_h) | Hor-migón | 2,5 m/s ² | 2,5 m/s ² | 2,5 m/s ² |
| | Acero | 3,3 m/s ² | 3,3 m/s ² | 3,3 m/s ² |
| Valor de emisión de vibraciones (en la penetración por impacto de clavos) con la batería B22 85 (a_h) | Hor-migón | 2,9 m/s ² | 2,9 m/s ² | 2,9 m/s ² |
| | Acero | 3,5 m/s ² | 3,5 m/s ² | 3,5 m/s ² |
| Incertidumbre (K) | | 1,5 m/s ² | 1,5 m/s ² | 1,5 m/s ² |



5 Preparación del trabajo

ADVERTENCIA

Riesgo de lesiones por arranque involuntario.

- ▶ Antes de insertar la batería, asegúrese de que el producto correspondiente esté desconectado.
- ▶ Retire la batería antes de realizar ajustes en la herramienta o de cambiar accesorios.

Respete las indicaciones de seguridad y las advertencias presentes en esta documentación y en el producto.

5.1 Carga de la batería

1. Antes de cargarla, lea el manual de instrucciones del cargador.
2. Asegúrese de que los contactos de la batería y del cargador estén limpios y secos.
3. Cargue la batería en un cargador autorizado. → página 24

5.2 Colocación de la batería

ADVERTENCIA

Riesgo de lesiones por cortocircuito o caída de la batería.

- ▶ Antes de insertar la batería, asegúrese de que los contactos de la batería y del producto estén libres de cuerpos extraños.
- ▶ Asegúrese de que la batería encaje siempre correctamente.

1. Cargue por completo la batería antes de la primera puesta en servicio.
2. Introduzca la batería en el producto hasta que encaje de forma audible.
3. Compruebe que la batería está bien colocada.

5.3 Extracción de la batería

1. Pulse la tecla de desbloqueo de la batería.
2. Retire la batería del producto.

5.4 Extracción del guía clavos

1. Tire hacia abajo la guía deslizante de clavos hasta que se enclave.
2. Vacíe el cargador. → página 32
3. Deslice el bloqueo del guía clavos en la dirección que indica la flecha hasta el tope.
 - ▶ El guía clavos habrá quedado suelto.
4. Extraiga el guía clavos.

5.5 Colocación del guía clavos

1. Tire hacia abajo la guía deslizante de clavos hasta que se enclave.
2. Vacíe el cargador. → página 32
3. Deslice el bloqueo del guía clavos en la dirección que indica la flecha hasta el tope y manténgalo en esa posición.
4. Deslice el guía clavos en la punta de la herramienta hasta que encaje con un «clic».
5. Suelte el bloqueo del guía clavos.
 - ▶ El bloqueo del guía clavos retorna a la posición central.
6. Compruebe que el guía clavos está correctamente encajado tirando levemente de él.

5.6 Un trabajo seguro con el colgador de cinturón y de andamio

- ▶ Antes de iniciar el trabajo, asegúrese de que el colgador de cinturón/de andamio esté fijado con seguridad al producto.
- ▶ Utilice el colgador de cinturón / de andamio solo durante el tiempo necesario. Si no va a utilizar el producto durante un largo periodo de tiempo, deposítelo en un lugar seguro.




5.7 Protección frente a caídas 3

ADVERTENCIA


Riesgo de lesiones por caída de herramientas o accesorios.

- ▶ Utilice únicamente la cuerda de amarre para herramientas **Hilti** recomendada para su producto.
- ▶ Antes de cada uso, compruebe que el punto de fijación de la cuerda de amarre para herramientas no presente posibles daños.
- ▶ No fije ninguna cuerda de amarre para herramientas al colgador de cinturón. No utilice un colgador de cinturón para elevar el producto.

 Tenga en cuenta las directivas nacionales para trabajos en altura.

Para este producto, utilice únicamente como protección frente a caídas la cuerda de amarre para herramientas **Hilti** #2261970.

- ▶ Fije la cuerda de amarre para herramientas con un mosquetón en el producto como se muestra en la figura. Compruebe que el mosquetón quede fijado de forma segura.
- ▶ Fije el segundo mosquetón a una estructura portante. Compruebe que el mosquetón quede fijado de forma segura.

 Tenga en cuenta el manual de instrucciones de la cuerda de amarre para herramientas **Hilti**.

5.8 Carga de clavos para funcionamiento con cargador 4

PRECAUCIÓN

Peligro de aplastamiento El rebote de la guía deslizante de clavos puede causar lesiones y provocar daños en la fijadora.

- ▶ Compruebe que la guía deslizante de clavos encaje correctamente tirando de ella hacia abajo. No permita que la guía deslizante de clavos rebote.

1. Tire hacia abajo la guía deslizante de clavos hasta que se enclave.
2. Deslice la tira de clavos para introducirla en el cargador (máximo 3 tiras de 10 clavos).
3. Sujete con fuerza la guía deslizante de clavos y presione el desbloqueo de la guía deslizante de clavos.
4. Haga retroceder la guía deslizante de clavos hasta que entre en contacto con un clavo.

5.9 Carga de clavos para modo de funcionamiento de fijación única


BX 3-ME-22

PRECAUCIÓN


Peligro de aplastamiento El rebote de la guía deslizante de clavos puede causar lesiones y provocar daños en la fijadora.

- ▶ Compruebe que la guía deslizante de clavos encaje correctamente tirando de ella hacia abajo. No permita que la guía deslizante de clavos rebote.

1. Tire hacia abajo la guía deslizante de clavos hasta que se enclave.
2. Deslice la tira de clavos para extraerla del cargador y asegúrese de que este quede vacío.

 La fijadora puede dañarse si no se retiran todos los clavos del cargador antes de la fijación en el modo de funcionamiento de fijación única.

3. Sujete con fuerza la guía deslizante de clavos y presione el desbloqueo de la guía deslizante de clavos.
4. Haga retroceder la guía deslizante de clavos.
5. Coloque el clavo en la cavidad del guía clavos prevista para ello. Después tiene la opción de insertar además un elemento de fijación autorizado en el guía clavos.

 La fijación con más de un clavo en el guía clavos puede provocar daños en la fijadora. En el modo de funcionamiento de fijación única, cargue el guía clavos con un solo clavo como máximo.



6. Accione el interruptor de fijación única.
 - ▶ El interruptor de fijación única debe enclavarse de forma audible.



Si la guía deslizante de clavos se ha empujado hacia abajo solo unos pocos centímetros, el interruptor de fijación única se vuelve a soltar.

6 Manejo

Respete las indicaciones de seguridad y las advertencias presentes en esta documentación y en el producto.

6.1 Uso del pie de apoyo

Si la superficie de trabajo es plana, el pie de apoyo facilita la colocación en ángulo recto de la fijadora, ya que de este modo solo hay que prestar atención a la posición recta de la herramienta en dirección horizontal. Si la superficie de trabajo es irregular, puede que sea necesario retirar el pie de apoyo para alinear correctamente el guía clavos en ángulo recto con la superficie de trabajo.

6.1.1 Plegado del pie de apoyo

1. Haga presión sobre el pie de apoyo para sacarlo de la posición de encastre.
2. Gire el pie de apoyo hacia atrás.

6.1.2 Desplegado del pie de apoyo

PRECAUCIÓN

Peligro de aplastamiento Al plegar el pie de apoyo existe riesgo de que los dedos queden atrapados entre el pie de apoyo y la carcasa.

- ▶ Al plegar el pie de apoyo, sostenga la fijadora por la empuñadura.

1. Gire el pie de apoyo hacia delante.
2. Desde abajo, haga presión sobre el pie de apoyo para encajarlo en la posición de desplegado.

6.2 Desconectar Bluetooth (opcional)

- ▶ Presione la fijadora durante 10 segundos sobre la superficie de trabajo.
 - ▶ Al cabo de 6 segundos, el elemento tensor se destensa de manera audible (mantenga la fijadora presionada durante 4 segundos más).
 - ▶ El indicador de estado parpadea 3 veces en azul.
 - ▶ Se oye 3 veces un ruido de motor.
 - ▶ Ya no se pueden seguir transfiriendo datos.



Si se encuentra en un entorno sensible (p. ej., un hospital) en el que no pueda utilizarse el Bluetooth, puede desactivarlo.

Para volver a desconectar el Bluetooth, extraiga la batería y vuelva a introducirla.

6.3 Conexión/desconexión de la fijadora

6.3.1 Conexión de la fijadora

ADVERTENCIA

¡Riesgo de lesiones! Presionar la fijadora contra una parte del cuerpo puede causar lesiones graves si se dispara accidentalmente una fijación.

- ▶ **No presione nunca la fijadora contra la mano u otra parte del cuerpo.**

1. En el funcionamiento con cargador, cargue el cargador. → página 30
2. Coloque la batería. → página 29
 - ▶ El indicador de estado parpadea lentamente en verde.



Cuando el rendimiento de la batería comienza a disminuir mucho, la fijadora se desconecta antes de que se produzcan daños en las celdas de la batería.

3. Presione la fijadora contra una superficie de trabajo adecuada para conectarla.
 - ▶ La fijadora se tensa.
 - ▶ El indicador de estado se ilumina en verde.



6.3.2 Desconexión de la fijadora

- ▶ Retire la batería. → página 29
- ▶ Se oye cómo el elemento tensor se destensa y el indicador de estado se apaga.



Después de 6 minutos, la fijadora genera un ruido de motor que indica que esta herramienta está a punto de apagarse. Tras la indicación, la fijadora se desconecta de forma automática.

6.4 Realización de una fijación



ADVERTENCIA

Riesgo de lesiones en caso de rotura de elementos de fijación.

- ▶ Antes de colocar los elementos de fijación, asegúrese de que nadie se encuentra detrás o debajo del componente en el que se ha colocado el elemento de fijación.



ADVERTENCIA

Riesgo de lesiones por piezas que salen despedidas. Durante el proceso de fijación existe riesgo de lesiones corporales y en los ojos debido al material que se desprende de la superficie de trabajo y a parte de la tira de clavos que puede salir disparada.

- ▶ **Utilice el equipo de protección individual adecuado y use siempre protección para los ojos y guantes de protección.** También las personas que se encuentren alrededor deben usar protección para los ojos y casco de protección.



ADVERTENCIA

¡Riesgo de lesiones! Presionar la fijadora contra una parte del cuerpo puede causar lesiones graves si se dispara accidentalmente una fijación.

- ▶ **No presione nunca la fijadora contra la mano u otra parte del cuerpo.**

1. Antes de empezar a trabajar, coloque dos elementos de fijación en la superficie de trabajo a modo de prueba.
2. Coloque la fijadora de modo que forme un ángulo recto respecto a la superficie de trabajo y presione el guía clavos hasta el tope.
 - ▶ La fijadora se conecta.
3. Efectúe la fijación presionando el disparador de seguridad.
4. Después de la fijación, levante completamente la fijadora de la superficie de trabajo.



Si se presiona el guía clavos contra la superficie de trabajo durante más de 6 segundos sin realizar ninguna fijación, la fijadora pasa automáticamente al modo de espera. La fijadora se vuelve a cargar al colocar de nuevo la punta de la herramienta sobre la superficie de trabajo.

6.5 Extracción de clavos en el funcionamiento con cargador

1. Tire hacia abajo la guía deslizante de clavos hasta que se enclave.
2. Deslice los clavos hacia abajo hasta extraerlos del cargador.
3. Sujete con fuerza la guía deslizante de clavos y presione el desbloqueo de la guía deslizante de clavos.
4. Haga retroceder la guía deslizante de clavos hasta la posición de salida.

6.6 Extracción de un clavo atascado



ADVERTENCIA

Riesgo de lesiones y daños en la fijadora. El uso de objetos inapropiados en lugar de los accesorios originales recomendados por Hilti puede provocar lesiones y dañar la fijadora.

- ▶ Utilice únicamente el juego de sacaclavos recomendado para desprender los clavos atascados.



ADVERTENCIA

Riesgo de lesiones por piezas que salen despedidas. Una fijación puede provocar lesiones, debido a piezas que salen despedidas, si existen cuerpos extraños en la zona del guía clavos o si existen elementos de fijación atascados en el guía clavos.

- ▶ No intente nunca corregir fallos de la fijadora realizando más fijaciones.



i Los clavos pueden quedar atascados en el guía clavos. Los clavos atascados en el guía clavos pueden extraerse con ayuda del juego de sacaclavos X-NP. Encontrará los accesorios en su **Hilti Store** o en la dirección **www.hilti.group**.

1. Extraiga el guía clavos (véase → página 29).
2. Encaje el guía clavos en el casquillo receptor del juego de sacaclavos.
3. Empuje hacia afuera del guía clavos el clavo atascado con la ayuda del sacaclavos y de un martillo.
4. Inserte el guía clavos (véase → página 29).

7 Cuidado y mantenimiento

ADVERTENCIA

Riesgo de lesiones con la batería colocada !

- ▶ Extraiga siempre la batería antes de llevar a cabo tareas de cuidado y mantenimiento.

Cuidado del producto

- Elimine con precaución la suciedad fuertemente adherida.
- Las rejillas de ventilación, si las hay, deben limpiarse con cuidadosamente con un cepillo seco y suave.
- Limpie la carcasa solo con un paño ligeramente humedecido. No utilice productos de limpieza que contengan silicona, ya que podrían dañar las piezas de plástico.
- Utilice un paño limpio y seco para limpiar los contactos del producto.

Cuidado de las baterías de Ion-Litio

- No utilice nunca una batería con las rejillas de ventilación obstruidas. Limpie cuidadosamente las rejillas de ventilación con un cepillo seco y suave.
- Evite la exposición innecesaria de la batería al polvo o la suciedad. No exponga nunca la batería a altos niveles de humedad (por ejemplo, sumergiéndola en agua o dejándola bajo la lluvia). Si penetra agua en la batería, trátela como una batería dañada. Aíslela en un recipiente no inflamable y póngase en contacto con el Servicio Técnico de **Hilti**.
- Mantenga la batería limpia de aceite o grasa. No permita la acumulación innecesaria de polvo o suciedad en la batería. Limpie la batería con un cepillo seco y suave o con un paño limpio y seco. No utilice productos de limpieza que contengan silicona, ya que podrían dañar las piezas de plástico. No toque los contactos de la batería y no elimine de los contactos la grasa aplicada de fábrica.
- Limpie la carcasa solo con un paño ligeramente humedecido. No utilice productos de limpieza que contengan silicona, ya que podrían dañar las piezas de plástico.

Mantenimiento

- Compruebe con regularidad que las piezas visibles no estén dañadas y los elementos de manejo funcionen correctamente.
- No utilice el producto si presenta daños o fallos que afecten al funcionamiento. Encargue inmediatamente la reparación del producto al Servicio Técnico de **Hilti**.
- Tras las tareas de cuidado y mantenimiento, coloque todos los dispositivos de protección y asegúrese de que funcionen correctamente.

i Para garantizar un correcto funcionamiento, utilice exclusivamente piezas de repuesto y consumibles originales. Las piezas de repuesto, los consumibles y los accesorios autorizados por **Hilti** se pueden consultar en su **Hilti Store** o en: **www.hilti.group**

7.1 Limpieza del interior de la punta de la herramienta

1. Extraiga el guía clavos. → página 29
2. Limpie el interior de la punta de la herramienta.
3. Coloque el guía clavos. → página 29



8 Transporte y almacenamiento de las baterías y sus herramientas

Transporte

PRECAUCIÓN

Arranque involuntario en el transporte !

- ▶ Transporte sus productos siempre sin batería.
- ▶ Retire las baterías.
- ▶ Transporte y almacene la herramienta siempre en un maletín seguro.
- ▶ No transporte nunca las baterías sin embalaje. Durante el transporte, las baterías deben estar protegidas frente a vibraciones y golpes excesivos y aisladas de todo material conductor y de otras baterías para que no entren en contacto con los polos de otras baterías y causen un cortocircuito. **Tenga en cuenta las normativas locales sobre el transporte de baterías.**
- ▶ Las baterías no deben enviarse por correo. Diríjase a una empresa de transporte si quiere enviar baterías no dañadas.
- ▶ Compruebe si el producto o las baterías están dañados antes de cada uso y antes y después de un transporte prolongado.

Almacenamiento

ADVERTENCIA

Daños imprevistos debido a una batería defectuosa o agotada !

- ▶ Guarde su productos siempre sin batería.
- ▶ Conserve el producto y las baterías en un lugar fresco y seco. Tenga en cuenta los valores límite de temperatura que figuran en los datos técnicos.
- ▶ No guarde las baterías en el cargador. Extraiga siempre la batería del cargador después del proceso de carga.
- ▶ No guarde nunca las baterías en un lugar expuesto al sol, sobre fuentes de calor o detrás de un cristal.
- ▶ Seque el producto y las baterías y guárdelo todo fuera del alcance de niños y personas no autorizadas.
- ▶ Compruebe si el producto y las baterías están dañadas antes de cada uso y antes y después de un almacenamiento prolongado.

9 Ayuda en caso de averías

Salvo indicación contraria, todas las señales luminosas descritas hacen referencia a la indicación de estado de la fijadora. En caso de producirse cualquier avería, compruebe el indicador del estado de carga y de averías de la batería. Véase el capítulo **Mostrar la batería de Ion-Litio**.

Si se producen averías que no están incluidas en esta tabla o que no puede solucionar usted, diríjase a nuestro Servicio Técnico de **Hilti**.

| Anomalía | Posible causa | Solución |
|--|---|---|
| El indicador de estado parpadea en verde. | La batería está descargada. | ▶ Cambie la batería. |
| El elemento tensor no se tensa y el indicador de estado parpadea en verde. | La batería está descargada. | ▶ Cambie la batería. |
| No se puede presionar el guía clavos y el indicador de estado está encendido en azul. | El cargador está vacío. | ▶ En el funcionamiento con cargador, cargue el cargador. → página 30 |
| No se puede presionar el guía clavos y el indicador de estado está encendido en verde. | La guía deslizante de clavos está atascada. | ▶ Extraiga la tira de clavos del cargador y limpie el cargador. |
| | El clavo se ha atascado en el guía clavos. | ▶ Extraiga el clavo atascado. → página 32 |



| Anomalía | Posible causa | Solución |
|--|---|---|
| El elemento tensor se tensa con retardo, el indicador de estado parpadea en azul y a la vez suena una señal acústica; entonces el indicador de estado se enciende en azul durante 6 minutos. | El cargador está vacío. | ► En el funcionamiento con cargador, cargue el cargador. → página 30 |
| El elemento tensor no se retensa y el indicador de estado parpadea en amarillo. | Exceso de temperatura en la fijadora. | ► Deje que la fijadora se enfríe. |
| | Temperatura de la batería demasiado alta. | ► Deje que la batería se enfríe. |
| | La temperatura de la batería es demasiado baja. | ► Deje que la batería alcance poco a poco la temperatura ambiente. |
| El elemento tensor no se tensa y el indicador de estado parpadea en rojo. | El guía clavos no está colocado correctamente. | ► Coloque el guía clavos. → página 29 |
| El elemento tensor no se tensa y el indicador de estado está encendido en rojo. | Fallo en la herramienta. | ► Póngase en contacto con el Servicio Técnico de Hilti . |
| El elemento tensor no se tensa; no aparece ninguna indicación de estado. | La batería está descargada. | ► Cambie la batería. |
| | La batería no está correctamente insertada. | ► Extraiga la batería y colóquela correctamente. → página 29 |
| | La protección de descarga profunda está activa. | ► Extraiga la batería y vuelva a introducirla. |
| El guía clavos está atascado cuando se encuentra totalmente presionado. | Hay suciedad entre el guía clavos y la punta de la herramienta. | ► Limpie el interior de la punta de la herramienta. → página 33 |

10 Reciclaje



ADVERTENCIA

Riesgo de lesiones por un reciclaje indebido. Riesgo para la salud debido a escapes de gases o líquidos.

- No envíe baterías dañadas bajo ningún concepto.
- Cubra las conexiones con un material no conductor para evitar cortocircuitos.
- Deshágase de las baterías de tal forma que no terminen en manos de niños.
- Elimine la batería en su **Hilti Store** o diríjase a su empresa de desechos.

Los productos **Hilti** están fabricados en su mayor parte con materiales reutilizables. La condición para dicha reutilización es una separación adecuada de los materiales. En muchos países, **Hilti** recoge las herramientas usadas para su recuperación. Pregunte al Servicio de Atención al Cliente de **Hilti** o a su asesor de ventas.



- No deseche las herramientas eléctricas, los aparatos eléctricos ni las baterías junto con los residuos domésticos.

11 Garantía del fabricante

- Si tiene alguna consulta acerca de las condiciones de la garantía, póngase en contacto con su sucursal local de **Hilti**.

12 Más información

Encontrará información adicional sobre manejo, técnica, medio ambiente y reciclaje en el siguiente enlace: qr.hilti.com/manual?id=2268212&id=2268213

Encontrará este enlace también al final de la documentación como código QR.



Notice d'utilisation originale

1 Indications relatives à la documentation

1.1 À propos de cette documentation

- Lire intégralement la présente documentation avant la mise en service. C'est la condition préalablement requise pour assurer la sécurité du travail et un maniement sans perturbations.
- Bien respecter les consignes de sécurité et les avertissements de la présente documentation ainsi que celles figurant sur le produit.
- Toujours conserver le mode d'emploi à proximité du produit et uniquement le transmettre à des tiers avec ce mode d'emploi.

1.2 Explication des symboles

1.2.1 Avertissements

Les avertissements attirent l'attention sur des dangers liés à l'utilisation du produit. Les termes de signalisation suivants sont utilisés :



DANGER

DANGER !

- ▶ Pour un danger imminent qui peut entraîner de graves blessures corporelles ou la mort.



AVERTISSEMENT

AVERTISSEMENT !

- ▶ Pour un danger potentiel qui peut entraîner de graves blessures corporelles ou la mort.



ATTENTION

ATTENTION !

- ▶ Pour une situation potentiellement dangereuse pouvant entraîner des blessures corporelles ou des dégâts matériels.

1.2.2 Symboles dans le manuel d'utilisation

Les symboles suivants sont utilisés dans le présent manuel d'utilisation :

| | |
|--|--|
| | Respecter le manuel d'utilisation |
| | Pour des conseils d'utilisation et autres informations utiles |
| | Maniement des matériaux recyclables |
| | Ne pas jeter les appareils électriques et les accus dans les ordures ménagères |
| | Hilti Accu Li-Ion |
| | Hilti Chargeur |

1.2.3 Symboles dans les illustrations

Les symboles suivants sont utilisés dans les illustrations :

| | |
|--|--|
| | Ces chiffres renvoient à l'illustration correspondante au début du présent manuel d'utilisation. |
| | La numérotation détermine la séquence des étapes de travail dans l'image et peut se différencier de celles des étapes de travail dans le texte. |
| | Les numéros de position sont utilisés dans l'illustration Vue d'ensemble et renvoient aux numéros des légendes dans la section Vue d'ensemble du produit . |
| | Ce signe doit inviter à manier le produit en faisant particulièrement attention. |



1.3 Symboles spécifiques au produit

1.3.1 Symboles sur le produit

Les symboles suivants peuvent être utilisés sur le produit :

| | |
|--------|---|
| | Symboles d'obligation généraux |
| | Porter des lunettes de protection |
| | Porter un casque antibruit |
| | Porter un casque de protection |
| | Le produit prend en charge la technologie NFC qui est compatible avec les plates-formes iOS et Android. |
| Li-Ion | Accu Li-Ion |
| | Ne jamais utiliser l'accu comme outil de percussion. |
| | Ne pas laisser tomber l'accu. Ne pas utiliser d'accu ayant subi un choc ou d'autres dommages. |

1.4 Informations produit

Les produits sont destinés aux professionnels et ne doivent être utilisés, entretenus et réparés que par un personnel autorisé et formé. Ce personnel doit être spécialement instruit quant aux dangers inhérents à l'utilisation de l'appareil. Le produit et ses accessoires peuvent s'avérer dangereux s'ils sont utilisés de manière incorrecte par un personnel non qualifié ou de manière non conforme à l'usage prévu.

La désignation du modèle et le numéro de série figurent sur sa plaque signalétique.

- ▶ Inscrivez le numéro de série dans le tableau suivant. Les informations produit vous seront demandées lorsque vous contactez nos revendeurs ou services après-vente.

Caractéristiques produit

| | |
|-------------------|----------------------------------|
| Outil de fixation | BX 3-22 BX 3-L-22 BX 3-ME-22 |
| Génération | 03 |
| N° de série | |

1.5 Déclaration de conformité

Le fabricant déclare sous sa seule et unique responsabilité que le produit décrit ici est conforme aux directives et normes en vigueur. Une copie de la Déclaration de conformité se trouve en fin de la présente documentation.

Pour obtenir les documentations techniques, s'adresser à :

Hilti Entwicklungsgesellschaft mbH | Zulassung Geräte | Hiltistraße 6 | 86916 Kaufering, DE

2 Sécurité

2.1 Indications générales de sécurité pour les appareils électriques

⚠ AVERTISSEMENT Lire toutes les consignes de sécurité et instructions, illustrations et caractéristiques techniques, qui accompagnent cet outil électroportatif. Tout manquement à l'observation des instructions suivantes risque de provoquer une électrocution, un incendie et/ou de graves blessures.

Les consignes de sécurité et instructions doivent être intégralement conservées pour les utilisations futures.

La notion d'« outil électroportatif » mentionnée dans les consignes de sécurité se rapporte à des outils électriques raccordés au secteur (avec câble d'alimentation) et à des outils électriques sur accu (sans câble d'alimentation).

Sécurité sur le lieu de travail

- ▶ **Conservier la zone de travail propre et bien éclairée.** Un lieu de travail en désordre ou mal éclairé augmente le risque d'accidents.



- ▶ **Ne pas faire fonctionner les outils électriques en atmosphère explosive et où se trouvent des liquides, des gaz ou poussières inflammables.** Les outils électriques produisent des étincelles qui peuvent enflammer les poussières ou les fumées.
- ▶ **Maintenir les enfants et les personnes présentes à l'écart pendant l'utilisation de l'outil électroportatif.** En cas d'inattention il y a risque de perdre le contrôle de l'appareil.

Sécurité relative au système électrique

- ▶ **La fiche de secteur de l'outil électroportatif doit être adaptée à la prise de courant. Ne jamais modifier la fiche de quelque façon que ce soit. Ne pas utiliser d'adaptateurs avec des outils électriques à branchement de terre.** Des fiches non modifiées et des prises de courant adaptées réduiront le risque de choc électrique.
- ▶ **Éviter le contact physique avec des surfaces mises à la terre tels que tuyaux, radiateurs, cuisinières et réfrigérateurs.** Il y a un risque élevé de choc électrique au cas où votre corps serait relié à la terre.
- ▶ **Ne pas exposer les outils électroportatifs à la pluie ou à l'humidité.** La pénétration d'eau à l'intérieur d'un outil électroportatif augmentera le risque d'un choc électrique.
- ▶ **Ne jamais utiliser le câble de raccordement à d'autres fins que celles prévues, telles que pour porter, accrocher ou débrancher l'outil électroportatif de la prise de courant. Maintenir le câble de raccordement à l'écart de la chaleur, des parties grasses, des bords tranchants ou des parties en mouvement.** Des câbles de raccordement endommagés ou emmêlés augmentent le risque de choc électrique.
- ▶ **Si l'outil électroportatif est utilisé à l'extérieur, utiliser uniquement des câbles de rallonge homologués pour les applications extérieures.** L'utilisation d'un câble de rallonge homologué pour les applications extérieures réduit le risque d'un choc électrique.
- ▶ **Si l'utilisation de l'outil électrique dans un environnement humide ne peut pas être évitée, utiliser un interrupteur de protection contre les courants de court-circuit.** L'utilisation d'un tel interrupteur de protection réduit le risque d'une décharge électrique.

Sécurité des personnes

- ▶ **Rester vigilant, surveiller ce que l'on fait. Faire preuve de bon sens en utilisant l'outil électroportatif. Ne pas utiliser l'outil électroportatif en étant fatigué ou sous l'emprise de l'alcool, de drogues ou de médicaments.** Un moment d'inattention lors de l'utilisation de l'outil électroportatif peut entraîner des blessures graves.
- ▶ **Utiliser un équipement de protection personnel et toujours porter une protection pour les yeux.** Les équipements de protection personnels tels que masque antipoussière, chaussures de sécurité antidérapantes, casque de protection ou protection acoustique suivant l'utilisation de l'outil électroportatif, réduiront le risque de blessures des personnes.
- ▶ **Éviter une mise en service par mégarde. S'assurer que l'outil électroportatif est arrêté avant de le brancher à la source de courant et/ou à l'accu, de le prendre ou de le porter.** Le fait de porter l'outil électroportatif avec le doigt sur l'interrupteur ou de brancher l'appareil sur la source de courant lorsque l'interrupteur est en position de fonctionnement peut entraîner des accidents.
- ▶ **Retirer tout outil de réglage ou toute clé avant de mettre l'outil électroportatif en fonctionnement.** Une clé ou un outil se trouvant sur une partie en rotation peut causer des blessures.
- ▶ **Adopter une bonne posture. Veiller à toujours garder une position stable et équilibrée.** Cela permet un meilleur contrôle de l'outil électroportatif dans des situations inattendues.
- ▶ **S'habiller de manière adaptée. Ne pas porter de vêtements amples ni de bijoux. Garder les cheveux, les vêtements et les gants à distance des parties en mouvement.** Des vêtements amples, des bijoux ou des cheveux longs peuvent être happés par des parties en mouvement.
- ▶ **Si des dispositifs servant à aspirer ou à recueillir les poussières doivent être utilisés, s'assurer qu'ils sont effectivement raccordés et correctement utilisés.** L'utilisation d'un dispositif d'aspiration de la poussière peut réduire les risques dus aux poussières.
- ▶ **Ne pas sous-estimer les mesures de sécurité à prendre et ne pas ignorer sciemment les règles de sécurité applicables aux outils électriques, même si l'on est utilisateur chevronné après de fréquentes utilisations de l'outil électroportatif.** Un manque d'attention peut conduire à de graves blessures en quelques fractions de seconde.

Utilisation et maniement de l'outil électroportatif

- ▶ **Ne pas forcer l'appareil. Utiliser l'outil électroportatif adapté au travail à effectuer.** Un outil électroportatif approprié réalisera mieux le travail et de manière plus sûre au régime pour lequel il a été conçu.
- ▶ **Ne pas utiliser d'outil électroportatif dont l'interrupteur est défectueux.** Tout outil électroportatif qui ne peut plus être mis en ou hors fonctionnement est dangereux et doit être réparé.



- ▶ **Débrancher la fiche de la prise de courant et/ou l'accu amovible avant d'effectuer des réglages sur l'appareil, de changer les accessoires, ou de ranger l'appareil.** Cette mesure de précaution empêche une mise en fonctionnement par mégarde de l'outil électroportatif.
- ▶ **Conserver les outils électroportatifs non utilisés hors de portée des enfants. Ne permettre l'utilisation de l'appareil à aucune personne qui ne soit pas familiarisée avec celui-ci ou qui n'a pas lu ces instructions.** Les outils électroportatifs sont dangereux lorsqu'ils sont entre les mains de personnes non initiées.
- ▶ **Prendre soin des outils électroportatifs et des accessoires. Vérifier que les parties en mouvement fonctionnent correctement et qu'elles ne sont pas coincées, et contrôler si des parties sont cassées ou endommagées de sorte que le bon fonctionnement de l'outil électroportatif s'en trouve entravé. Faire réparer les parties endommagées avant d'utiliser l'appareil.** De nombreux accidents sont dus à des outils électroportatifs mal entretenus.
- ▶ **Garder les outils de coupe affûtés et propres.** Des outils destinés à couper correctement entretenus avec des arêtes de coupe tranchantes sont moins susceptibles de bloquer et sont plus faciles à contrôler.
- ▶ **L'outil électroportatif, les accessoires, les outils amovibles, etc. doivent être utilisés conformément à ces instructions. Tenir également compte des conditions de travail et du travail à réaliser.** L'utilisation des outils électroportatifs à d'autres fins que celles prévues peut entraîner des situations dangereuses.
- ▶ **Veiller à ce que les poignées et surfaces de préhension soient toujours être sèches, propres et exemptes de traces de graisse ou d'huile.** Avec des poignées et surfaces de préhension glissantes, la sécurité et le contrôle de l'outil électroportatif ne peuvent être assurés dans des situations inopinées.

Utilisation et maniement de l'outil sur accu

- ▶ **Ne charger les accus que dans des chargeurs recommandés par le fabricant.** Si un chargeur approprié à un type spécifique d'accus est utilisé avec des accus non recommandés pour celui-ci, il y a risque d'incendie.
- ▶ **Dans les outils électroportatifs, utiliser uniquement les accus spécialement prévus pour ceux-ci.** L'utilisation de tout autre accu peut entraîner des blessures et des risques d'incendie.
- ▶ **Tenir l'accu non utilisé à l'écart de tous objets métalliques tels qu'agrafes, pièces de monnaie, clés, clous, vis ou autres, étant donné qu'un pontage peut provoquer un court-circuit.** Un court-circuit entre les contacts d'accu peut provoquer des brûlures ou un incendie.
- ▶ **En cas d'utilisation abusive, du liquide peut sortir de l'accu. Éviter tout contact avec ce liquide. En cas de contact par mégarde, rincer soigneusement avec de l'eau. Au cas où le liquide rentrerait dans les yeux, consulter en plus un médecin.** Le liquide qui sort de l'accu peut entraîner des irritations de la peau ou causer des brûlures.
- ▶ **Ne pas utiliser d'accu endommagé ou modifié.** Des accus endommagés ou modifiés peuvent avoir un comportement imprévisible et provoquer un incendie, une explosion ou engendrer un risque de blessures.
- ▶ **Ne jamais exposer l'accu au feu ou à des températures trop élevées.** Le feu ou des températures supérieures à 130 °C (265 °F) peuvent provoquer une explosion.
- ▶ **Suivre toutes les instructions de charge et ne jamais charger l'accu ou l'outil sur accu hors de la plage de températures spécifiée dans le manuel d'utilisation.** Une charge inappropriée ou hors de la plage de températures spécifiée risque d'endommager l'accu et accroître le risque d'incendie.

Service

- ▶ **L'outil électroportatif doit uniquement être réparé par un personnel qualifié et seulement avec des pièces de rechange d'origine.** Ceci permet d'assurer la sécurité de l'appareil.
- ▶ **Ne jamais entretenir d'accus endommagés.** Toutes les opérations d'entretien sur des accus doivent exclusivement être réalisées par le fabricant ou un prestataire de service client agréé.

2.2 Consignes de sécurité pour cloueurs

- ▶ **Toujours partir du principe que l'appareil électrique contient des clous.** Un maniement insouciant du cloueur peut entraîner un tir inopiné de clous et provoquer des blessures.
- ▶ **Ne jamais tirer avec l'appareil électrique vers soi ou toute autre personne se trouvant à proximité.** Un tir déclenché inopinément peut provoquer des blessures.
- ▶ **Ne pas actionner l'appareil électrique avant qu'il ne repose fermement sur la pièce travaillée.** Si l'appareil électrique n'est pas en contact avec la pièce travaillée, le clou risque de ricocher du système de fixation.
- ▶ **Débrancher l'appareil électrique du réseau ou de l'accu si le clou coince dans l'appareil.** Si le cloueur reste branché, il y a risque d'actionner par inadvertance l'appareil lors du retrait d'un clou coincé.



- ▶ **Redoubler de prudence pour retirer un clou resté coincé.** Lors d'une tentative de retrait d'un clou coincé, le système peut s'armer et éjecter vigoureusement l'élément de fixation.
- ▶ **Lors de la fixation de conduites électriques, s'assurer qu'elles ne sont pas sous tension. Tenir le cloueur uniquement par les surfaces isolées des poignées. Utiliser uniquement des clous conçus pour l'installation de conduites électriques. S'assurer que le clou ne peut pas endommager l'isolation de la conduite électrique.** Si le clou endommage l'isolation de la conduite électrique, il y a risque de décharge électrique ou de provoquer un incendie.

2.3 Consignes de sécurité

Exigences vis-à-vis de l'utilisateur

- ▶ Ce produit doit exclusivement être utilisé ou entretenu par des personnes explicitement autorisées et initiées à cet effet.

Équipement de protection individuelle

- ▶ Pendant l'utilisation, l'utilisateur et les personnes se trouvant à proximité doivent porter des lunettes de protection, un casque antibruit et un casque de protection.

Sécurité des personnes

- ▶ Bien respecter les consignes concernant l'utilisation, le nettoyage et l'entretien qui figurent dans le présent mode d'emploi.
- ▶ Rester vigilant, faire attention à ce que l'on fait et faire preuve de bon sens pendant le travail avec un cloueur. Ne pas utiliser le produit en étant fatigué ou après avoir consommé de l'alcool, des drogues ou avoir pris des médicaments. Interrompre le travail dès l'apparition de douleur ou de malaise. Un moment d'inattention lors de l'utilisation du cloueur peut entraîner de graves blessures corporelles.
- ▶ Éviter toute mauvaise posture. Veiller à toujours rester stable et à garder l'équilibre.
- ▶ Porter des chaussures à semelle antidérapante.
- ▶ Ne jamais retirer le canon ni les éléments de fixation à la main.
 - ▶ Le produit peut se déclencher lors du retrait du canon ou des éléments de fixation à la main. Ceci peut également entraîner un tir sur les parties du corps.
- ▶ Lors de l'utilisation du produit, garder les bras fléchis (ne pas tendre les bras).
- ▶ Lors des travaux, tenir toute tierce personne, notamment les enfants, éloignés du champ d'action.
- ▶ Risque de blessures dues à la chute d'outils et/ou d'accessoires. Avant de commencer à travailler, contrôler si l'accu et l'accessoire monté sont solidement fixés.
- ▶ Gardez toujours les ouïes d'aération dégagées. Risque de brûlures si les ouïes d'aération sont couvertes !
- ▶ Ne jamais regarder directement dans la lumière (LED) et ne jamais orienter la lumière directement dans le visage d'une personne. Il y a risque d'éblouissement.

Utilisation et emploi soigneux des cloueurs

- ▶ Danger engendré par des éléments de fixation traversants ! Avant d'implanter des éléments de fixation, toujours vérifier que personne ne se trouve derrière ou en dessous de l'élément structural dans lequel l'élément de fixation va être implanté.
- ▶ Utiliser le produit adapté pour le type de travail envisagé. Ne pas utiliser le produit à des fins non prévues mais uniquement conformément à l'usage prévu et dans un état parfait.
- ▶ Ne jamais laisser un produit chargé sans surveillance.
- ▶ Toujours décharger le produit avant de le nettoyer, de l'entretenir, de le réviser, ainsi qu'après avoir changé le canon, après une interruption de travail et avant le stockage (éléments de fixation).
- ▶ Tous les produits non utilisés doivent être rangés déchargés, dans un endroit sec et fermé, qui soit inaccessible aux enfants.
- ▶ Vérifier que le produit et l'accessoire ne présentent pas d'éventuels dommages. Vérifier que toutes les pièces mobiles fonctionnent parfaitement et ne coïncent pas, et que les pièces ne sont pas abîmées.
 - ▶ Toutes les pièces doivent être montées correctement et remplir toutes les conditions propres à garantir le parfait fonctionnement du produit. Les pièces endommagées doivent être réparées ou remplacées de manière professionnelle par le S.A.V. **Hilti**, sauf indication contraire dans le mode d'emploi.
- ▶ Avant d'entamer le travail, vérifier qu'il n'y a pas de câbles ou gaines électriques, tuyaux de gaz ou d'eau cachés dans la zone d'intervention. Les parties métalliques externes du produit peuvent provoquer un choc électrique ou une explosion si vous endommagez une ligne électrique, une conduite de gaz ou une conduite d'eau.



- ▶ Ne jamais implanter d'éléments de fixation dans un matériau support inapproprié.
 - ▶ Les matériaux inappropriés sont l'acier soudé ou coulé, la fonte, le verre, le marbre, le plastique, le bronze, le laiton, le cuivre, les matériaux isolants, la brique creuse, la brique céramique, les tôles minces (< 4 mm) et le béton cellulaire. L'implantation dans ces types de matériaux peut entraîner la rupture de l'élément ainsi que des projections d'éclats, et le matériau risque d'être transpercé de part en part.
- ▶ Actionner la détente uniquement lorsque le produit est appuyé complètement à la verticale contre le matériau récepteur.
- ▶ Toujours tenir le produit perpendiculairement au matériau support lors de l'implantation, pour éviter que l'élément de fixation ne dévie du matériau support.
- ▶ Essuyer les poignées afin d'éliminer toutes traces d'humidité, enlever toutes traces de graisse ou d'huile.
- ▶ Ne jamais laisser tomber le produit.
- ▶ Ne pas utiliser le chargeur comme poignée.
- ▶ Ne pas utiliser le produit dans des endroits présentant un danger d'incendie ou d'explosion, à moins que cela ne soit explicitement autorisé.
- ▶ Ne pas implanter d'éléments dans des trous existants, sauf lorsque cela est recommandé par **Hilti** (p. ex. DX-Kwik).

Consignes de sécurité mécaniques

- ▶ N'effectuer aucune manipulation ni modification sur le produit ou l'accessoire, en particulier sur le piston.
- ▶ Utiliser uniquement des éléments de fixation conçus et homologués pour le produit.

Mesures de sécurité thermiques

- ▶ Ne pas dépasser la cadence de tir maximale recommandée.
- ▶ En cas de surchauffe du produit, le laisser refroidir.
- ▶ Ne pas démonter le produit quand il est chaud. Laisser le produit refroidir.

2.4 Utilisation et emploi soigneux des batteries

- ▶ **Respecter les consignes de sécurité suivantes relatives à la manipulation et à l'utilisation des accus Li-Ion.** Le non-respect de telles mesures risque de provoquer des irritations cutanées, des blessures graves corrosives, des brûlures chimiques, des incendies et/ou des explosions.
 - ▶ Utiliser les accus uniquement dans un état techniquement impeccable.
 - ▶ Traiter les accus avec soin pour éviter les endommagement et les fuites de liquides très nocifs pour la santé !
 - ▶ Les accus ne doivent en aucun cas être modifiés ou manipulés !
 - ▶ Les accus ne doivent pas être démontés, écrasés, chauffés à une température supérieure à 80 °C (176 °F) ou jetés au feu.
 - ▶ Ne pas utiliser ni recharger d'accus ayant subi un choc ou ayant été endommagés de quel-qu'autre manière. Vérifier régulièrement l'absence de traces d'endommagement sur les accus.
 - ▶ Ne jamais utiliser d'accus recyclés ou réparés.
 - ▶ Ne jamais utiliser l'accu ni aucun outil électrique sans fil comme outil de percussion.
 - ▶ Ne jamais exposer les accus à un rayonnement direct du soleil, des températures élevées, des étincelles ou des flammes nues. Il y a alors risque d'explosions.
 - ▶ Ne jamais toucher les pôles avec les doigts, des outils, des bijoux ou tout autre objet métallique. Cela peut endommager l'accu et entraîner des dommages matériels et des blessures.
 - ▶ Maintenir les accus à l'abri de la pluie, de l'humidité et des liquides. Toute pénétration d'humidité risque de provoquer un court-circuit, des chocs électriques, des brûlures, des incendies ou des explosions.
 - ▶ Utiliser exclusivement les chargeurs et outils électriques prévus pour le type d'accu considéré. Respecter à ce sujet les indications du mode d'emploi correspondant.
 - ▶ Ne pas utiliser ni stocker l'accu dans des environnements présentant des risques d'explosion.
 - ▶ Si l'accu est trop chaud pour être touché, il est probablement défectueux. Placer l'accu dans un endroit bien visible, non inflammable et suffisamment éloigné de matériaux inflammables. Laisser l'accu refroidir. Si, après une heure, l'accu est toujours trop chaud pour être saisi, c'est qu'il est défectueux. Contacter le service après-vente **Hilti** ou consulter le document « Instructions de sécurité et d'utilisation pour les accus Li-Ion **Hilti** ».

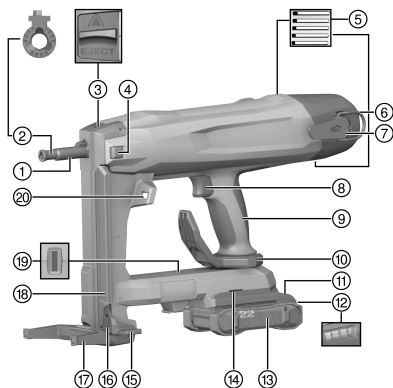


Respecter les directives spécifiques pour le transport, le stockage et l'utilisation d'accus Li-Ion. Lire les remarques relatives à la sécurité et à l'utilisation des accus Li-Ion **Hilti** que vous trouverez en scannant le code QR à la fin de ce mode d'emploi.



3 Description

3.1 Vue d'ensemble du produit



- ① Nez de l'appareil
- ② Canon
- ③ Verrouillage du canon
- ④ Interrupteur Tir unique (BX 3-ME-22)
- ⑤ Ouïes d'aération
- ⑥ Cillet pour la longe porte-outil
- ⑦ Patte d'accrochage à la ceinture
- ⑧ Déclencheur de sécurité
- ⑨ Poignée
- ⑩ Mousqueton de ceinture et d'échafaudage
- ⑪ Bouton de déverrouillage de l'accu
- ⑫ Indicateur d'état – Accu
- ⑬ Accu Li-Ion
- ⑭ Ouverture de montage pour les accessoires
- ⑮ Poussoir à clous
- ⑯ Déverrouillage du poussoir
- ⑰ Pied d'appui
- ⑱ Chargeur
- ⑲ Indicateur d'état du cloueur
- ⑳ Éclairage du champ de travail

3.1.1 Équipement

Le canon et pied d'appui dépendent du produit. Le tableau suivant montre le pied d'appui et le canon équipant le produit.

Vous trouverez de plus amples informations dans le couvercle du coffret, dans votre **Hilti Store** ou à l'adresse www.hilti.group.

| Produit | BX 3-22 | BX 3-L-22 | BX 3-ME-22 |
|--------------|---------------|---------------|---------------|
| Canon | X-FG B3 IF 02 | X-FG B3 IF 02 | X-FG B3 ME |
| Pied d'appui | X-SL B3 03 | X-SL B3 03 | X-SL B3 ME 03 |

3.2 Utilisation conforme à l'usage prévu

Le produit est un cloueur sur batterie à guidage manuel. Il sert à planter des éléments de fixation de conception spécifique dans le béton, de l'acier, de la maçonnerie, dans de la brique silico-calcaire ainsi que dans d'autres matériaux récepteurs destinés à un montage direct (se reporter au manuel des techniques de fixation). Le produit sert également à fixer des conduites électriques au moyen de clips, à condition d'utiliser des éléments de fixation adéquats. Utiliser uniquement des éléments de fixation admis en combinaison avec le canon prévu à cet effet (voir le chapitre "Caractéristiques techniques").

Le cloueur, l'accu et les éléments de fixation forment une unité technique. Cela signifie que des fixations sans problèmes avec ce cloueur peuvent uniquement être garanties si les éléments de fixation **Hilti** ainsi que les chargeurs et accus recommandés par **Hilti** sont utilisés. Les recommandations de **Hilti** concernant les fixations et applications sont uniquement valables dans ces conditions.

- ▶ Le cloueur ne doit être utilisé que tenu à la main.
- ▶ Tout usage inadéquat est à proscrire. On entend par usage inadéquat des implantations dans un matériau support très mou (p. ex. bois) et des implantations dans un matériau support très dur (p. ex. dans un acier ultra-résistant ou de la pierre naturelle très dure).
- Pour ce produit, utiliser exclusivement des accus Li-Ion **Hilti** Nuron de la série B 22. Pour une puissance optimale, **Hilti** recommande pour ce produit les accus indiqués dans le tableau à la fin de ce mode d'emploi.
- Pour ces accus, utiliser exclusivement des chargeurs **Hilti** des séries indiquées dans le tableau à la fin de ce mode d'emploi.



3.3 Dispositifs de sécurité

En mode Chargeur, la détection de clous doit empêcher les clouages ratés qui risquent d'endommager l'outil de fixation.

La sécurité d'appui doit empêcher le déclenchement par inadvertance de tirs de clous. En mode Chargeur, l'outil de fixation peut uniquement être appuyé et déclenché si un clou est chargé dans l'appareil.

3.4 Caractéristiques de l'équipement

L'outil de fixation est équipé d'une poignée ergonomique, anti-dérapante et amortisseuse des vibrations, d'un mousqueton de ceinture et d'échafaudage ainsi que d'un pied d'appui. Le cloueur est protégé par une protection électronique contre les surcharges et par une protection contre la surchauffe avec surveillance de la température.

3.5 Indicateur d'état du cloueur

L'indicateur d'état du cloueur renseigne sur les états du cloueur.

| État | Signification |
|--|--|
| La LED est éteinte | Le cloueur est arrêté |
| La LED s'allume en vert. | Le cloueur est mis en marche et prêt pour un tir |
| La LED clignote en vert. | Accu trop chaud ou accu trop faible |
| La LED clignote toutes les 3 secondes en vert. | Le cloueur est en mode veille, appuyer le nez de l'appareil pour mettre le cloueur en marche |
| La DEL s'allume en bleu. | Le cloueur est mis en marche, charger la bande de clous |
| La DEL clignote en bleu | Le cloueur est mis en marche, le chargeur est complètement vide |
| La LED clignote en jaune. | Cloueur trop chaud, voir le Guide de dépannage |
| La LED clignote en rouge. | Défaillance de l'appareil, voir le Guide de dépannage |
| La LED s'allume en rouge. | Défaillance de l'appareil, voir le Guide de dépannage |

3.6 Affichages de l'accu Li-Ion

Les accus Li-Ion Hilti Nuron peuvent afficher l'état de charge, les messages d'erreur et l'état de l'accu.

3.6.1 Affichages de l'état de charge et des messages d'erreur

AVERTISSEMENT

Risque de blessures en cas de chute de l'accu !

- ▶ Lorsque l'accu est inséré et après avoir appuyé sur la touche de déverrouillage, s'assurer que l'accu est correctement réenclenché dans le produit utilisé.

Pour consulter un des affichages suivants, appuyer brièvement sur la touche de déverrouillage de l'accu. L'état de charge et les dysfonctionnements possibles sont affichés en permanence tant que le produit raccordé est allumé.

| État | Signification |
|---|--|
| Quatre (4) DEL sont allumées en vert en continu | État de charge : de 100 % à 71 % |
| Trois (3) DEL sont allumées en vert en continu | État de charge : de 70 % à 51 % |
| Deux (2) DEL sont allumées en vert en continu | État de charge : de 50 % à 26 % |
| Une (1) DEL est allumée en vert en continu | État de charge : de 25 % à 10 % |
| Une (1) DEL clignote lentement en vert | État de charge : < 10 % |
| Une (1) DEL clignote rapidement en vert | L'accu Li-Ion est entièrement déchargé. Charger l'accu. Si la DEL continue de clignoter rapidement après la charge de l'accu, s'adresser au S.A.V. Hilti. |



| État | Signification |
|--|---|
| Une (1) DEL clignote rapidement en jaune | L'accu Li-Ion ou le produit correspondant est surchargé, trop chaud, trop froid ou il y a un autre défaut. Amener le produit et l'accu à la température de travail recommandée et ne pas surcharger le produit pendant son utilisation. Si le message ne disparaît pas, s'adresser au S.A.V. Hilti . |
| Une (1) DEL est allumée en jaune | L'accu Li-Ion ainsi que le produit connecté ne sont pas compatibles. Merci de s'adresser au S.A.V Hilti . |
| Une (1) DEL clignote rapidement en rouge | L'accu Li-Ion est verrouillé et ne peut plus être utilisé. Merci de s'adresser au S.A.V Hilti . |

3.6.2 Affichages de l'état de l'accu

Pour consulter l'état de l'accu, maintenir la touche de déverrouillage enfoncée pendant plus de trois secondes. Le système ne détecte aucun dysfonctionnement potentiel de la batterie dû à une utilisation incorrecte, par ex. chute, piqûres, dommages externes dus à la chaleur, etc.

| État | Signification |
|---|---|
| Toutes les DEL forment un chenillard, puis une (1) DEL est allumée en vert en continu. | L'accu peut continuer à être utilisé. |
| Toutes les DEL forment un chenillard, puis une (1) DEL clignote rapidement en jaune. | L'interrogation de l'état de l'accu n'a pas pu être terminée. Répéter la procédure ou s'adresser au S.A.V. Hilti . |
| Toutes les DEL forment un chenillard, puis une (1) DEL est allumée en rouge en continu. | Si un produit raccordé peut continuer à être utilisé, la capacité résiduelle de l'accu est inférieure à 50 %. Si un produit raccordé ne peut plus être utilisé, l'accu est arrivé à la fin de sa durée de vie et doit être remplacé. Merci de s'adresser au S.A.V Hilti . |

3.7 Bluetooth® (en option)

Le label Bluetooth® et les logos sont des marques déposées et la propriété de Bluetooth SIG, Inc. Toute utilisation de ce label et de ces logos par la société anonyme **Hilti** est soumise à licence.

3.7.1 Utilisation conforme à l'usage prévu

Ce produit est équipé d'un module Bluetooth® Low Energy qui permet de vérifier le statut d'un outil électroportatif, ainsi que le transfert de réglages et données en se basant sur la technologie radio Bluetooth®, c.-à-d. une transmission de données sans fil permettant à deux produits compatibles Bluetooth de communiquer sur une courte distance. Ce produit est développé pour permettre la communication et le transfert de données avec des téléphones portables et des passerelles **Hilti**. Le produit est en mesure d'envoyer des caractéristiques de données telles que l'emplacement du terminal de réception, la durée de fonctionnement, le nombre total d'applications, le nombre d'applications pendant l'intervalle et l'horodatage de la transmission. Vous trouverez de plus amples informations sur les fonctions de connectivité proposées dans l'application (appli) **Hilti** correspondante ou dans le manuel d'utilisation de l'outil électroportatif utilisé.

3.7.2 Transmission de données par Bluetooth®

L'intervalle d'émission peut varier en fonction de la source d'alimentation disponible du produit. La portée peut varier considérablement en fonction des conditions extérieures et du dispositif de réception utilisé. La portée Bluetooth® peut être nettement réduite dans des locaux fermés et au travers de barrières métalliques (par ex. murs, étagères, coffres, etc.). Selon l'environnement, plusieurs intervalles d'émission peuvent être nécessaires avant que l'outil électroportatif ne soit détecté.

Si l'outil électroportatif n'est pas détecté, vérifier les points suivants :

La distance par rapport au terminal mobile est-elle trop importante ?

→ Réduire la distance entre le terminal mobile et l'outil électroportatif



3.7.3 Installation et configuration de l'appli

Pour pouvoir utiliser les fonctions de connectivité, il faut tout d'abord installer l'appli **Hilti** correspondante.

(1.) Télécharger l'appli via un magasin d'applications correspondant.



Vous devez posséder un compte utilisateur auprès du magasin d'applications correspondant.

(2.) Au premier démarrage de l'appli, connectez-vous avec votre compte ou enregistrez-vous.

(3.) L'écran de votre terminal mobile affiche toutes les étapes suivantes pour connecter l'outil électroportatif et le terminal mobile.



Suivez tout d'abord l'intégralité du tutoriel de l'appli. Vous aurez ainsi une meilleure vue d'ensemble de la procédure de connexion et de l'utilisation des fonctions de connectivité.

3.8 Protection contre les décharges profondes

Le produit dispose d'un mode Veille pour protéger l'accu Li-ion d'une décharge profonde. Ceci permet d'éviter que l'accu ne se décharge entièrement.

- La protection contre les décharges profondes est activée au bout de 360 minutes.
- Pour désactiver la protection contre les décharges profondes, enlever l'accu et le remettre en place.

3.9 Équipement livré

Cloueur , mode d'emploi.

D'autres produits système pour votre produit peuvent être trouvés dans votre **Hilti Store** ou à l'adresse : www.hilti.group

4 Caractéristiques techniques

| | BX 3-22 | BX 3-L-22 | BX 3-ME-22 |
|---|-------------------------|-------------------------|-------------------------|
| Poids selon EPTA Procédure 01 sans accu | 3,5 kg | 3,5 kg | 3,4 kg |
| Longueur de clous dans le chargeur | 14 mm ... 30 mm | 14 mm ... 36 mm | 14 mm ... 24 mm |
| Longueur de clou en mode Tir unique | •/• | •/• | 30 mm ... 36 mm |
| Diamètre de clous | 3 mm | 2,75 mm ... 3,0 mm | 3 mm |
| Capacité du chargeur | 30 clous | 30 clous | 20 clous |
| Course d'implantation | 12 mm | 12 mm | 12 mm |
| Pression d'appui | 50 N ... 70 N | 50 N ... 70 N | 50 N ... 70 N |
| Fréquence de tir maximale recommandée à température ambiante | 700/h | 700/h | 700/h |
| Tension de référence | 21,6 V | 21,6 V | 21,6 V |
| Puissance d'émission maximale Bluetooth® | 8 dBm | 8 dBm | 8 dBm |
| Plage de fréquences Bluetooth | 2.402 MHz ... 2.480 MHz | 2.402 MHz ... 2.480 MHz | 2.402 MHz ... 2.480 MHz |
| Température de stockage | -20 °C ... 70 °C | -20 °C ... 70 °C | -20 °C ... 70 °C |
| Température de service en cours de service | -17 °C ... 60 °C | -17 °C ... 60 °C | -17 °C ... 60 °C |



4.1 Batterie

| | |
|---|-----------------------------------|
| Tension nominale de l'accu | 21,6 V |
| Poids de l'accu | Voir à la fin de ce mode d'emploi |
| Température de service en cours de service | -17 °C ... 60 °C |
| Température de stockage | -20 °C ... 40 °C |
| Température de l'accu au début de la charge | -10 °C ... 45 °C |

4.2 Valeurs de bruit et de vibrations selon EN 62841

Les valeurs de pression acoustique et de vibrations mentionnées dans ces instructions ont été mesurées conformément à un procédé de mesure normalisé et peuvent être utilisées comme base de comparaison d'outils électroportatifs. Elles sont de plus adaptées à une évaluation préalable de l'exposition aux bruits et aux vibrations.

Les indications fournies correspondent aux principales applications de l'outil électroportatif. Ces données peuvent néanmoins différer si l'outil électroportatif est utilisé pour d'autres applications ou avec des outils coupants différents, ou bien si l'entretien s'avère insuffisant. Dans ce cas, les expositions peuvent augmenter nettement dans tout l'espace de travail.

Pour une évaluation précise des expositions, il convient également de prendre en compte les temps durant lesquels l'appareil est arrêté ou marche à vide. Cela peut réduire considérablement les contraintes d'exposition dans tout l'espace de travail.

Par ailleurs, il convient de prendre des mesures de sécurité supplémentaires en vue de protéger l'opérateur des effets du bruit ou des vibrations, par exemple : entretien de l'outil électroportatif et des outils de coupe, maintien des mains à bonne température, organisation des processus de travail.

Valeurs d'émissions acoustiques

| | | BX 3-22 | BX 3-L-22 | BX 3-ME-22 |
|---|-------|---------|-----------|------------|
| Niveau de puissance acoustique d'émission pondéré (A) type (correspondant à l'implantation de clous) (L_{WA}) | Béton | 96 dB | 96 dB | 96 dB |
| | Acier | 100 dB | 100 dB | 100 dB |
| Niveau de pression acoustique d'émission pondéré (A) type (correspondant à l'implantation de clous) (L_{pA}) | Béton | 85 dB | 85 dB | 85 dB |
| | Acier | 89 dB | 89 dB | 89 dB |
| Incertitude du niveau acoustique indiqué (K_{WA} , K_{pA}) | | 3 dB | 3 dB | 3 dB |

Valeurs totales de vibrations monoaxiales (dans la direction z)

| | | BX 3-22 | BX 3-L-22 | BX 3-ME-22 |
|---|-------|----------------------|----------------------|----------------------|
| Valeur d'émission des vibrations (correspondant à l'implantation de clous) avec accu B22 55 (a _i) | Béton | 2,5 m/s ² | 2,5 m/s ² | 2,5 m/s ² |
| | Acier | 3,3 m/s ² | 3,3 m/s ² | 3,3 m/s ² |
| Valeur d'émission des vibrations (correspondant à l'implantation de clous) avec accu B22 85 (a _i) | Béton | 2,9 m/s ² | 2,9 m/s ² | 2,9 m/s ² |
| | Acier | 3,5 m/s ² | 3,5 m/s ² | 3,5 m/s ² |
| Incertitude (K) | | 1,5 m/s ² | 1,5 m/s ² | 1,5 m/s ² |

5 Préparatifs



AVERTISSEMENT

Risque de blessures du fait d'une mise en marche inopinée !

- ▶ Avant d'insérer l'accu, s'assurer que le produit correspondant est bien sur arrêt.
- ▶ Retirer le bloc-accu, avant d'effectuer des réglages sur l'appareil ou de changer les accessoires.

Bien respecter les consignes de sécurité et les avertissements de la présente documentation ainsi que celles figurant sur le produit.



5.1 Recharge de l'accu

1. Avant de commencer la charge, lire le mode d'emploi du chargeur.
2. Veiller à ce que les contacts de l'accu et du chargeur sont propres et secs.
3. Charger l'accu à l'aide d'un chargeur homologué. → Page 42

5.2 Introduction de l'accu

AVERTISSEMENT

Risque de blessures du fait d'un court-circuit ou de la chute de l'accu !

- ▶ Avant d'insérer l'accu dans l'appareil, s'assurer que les contacts de l'accu et les contacts sur le produit sont exempts de corps étrangers.
- ▶ S'assurer que l'accu s'encliquette toujours correctement.

1. L'accu doit être entièrement chargé avant la première mise en service.
2. Introduire l'accu dans le produit jusqu'à ce qu'il s'enclenche de manière audible.
3. Vérifier que l'accu est bien en place.

5.3 Retrait de l'accu

1. Appuyer sur la touche de déverrouillage de l'accu.
2. Retirer l'accu hors du produit.

5.4 Retrait du canon

1. Tirer le poussoir vers le bas jusqu'à ce qu'il s'enclenche.
2. Vider le chargeur. → Page 50
3. Pousser le verrouillage du canon dans le sens de la flèche jusqu'en butée.
 - ▶ Le canon est libéré.
4. Sortir le canon.

5.5 Mise en place du canon

1. Tirer le poussoir vers le bas jusqu'à ce qu'il s'enclenche.
2. Vider le chargeur. → Page 50
3. Pousser le verrouillage du canon dans le sens de la flèche jusqu'en butée et le maintenir dans cette position.
4. Pousser le canon dans le nez de l'appareil jusqu'à la butée avec un « double-clic » audible.
5. Relâcher le verrouillage du canon.
 - ▶ Le verrouillage du canon saute en position médiane.
6. Vérifier en tirant sur le canon qu'il est bien en place.

5.6 Travail sûr et soigneux avec mousqueton de ceinture et d'échafaudage

- ▶ Avant de commencer à travailler, vérifier que le mousqueton de ceinture et d'échafaudage est bien fixé au produit.
- ▶ Démontez le mousqueton de ceinture et d'échafaudage lorsque vous n'en avez plus besoin. Lorsqu'il n'est pas utilisé pendant un temps prolongé, déposer le produit en toute sécurité.

5.7 Sécurité anti-chute

AVERTISSEMENT

Risque de blessures en cas de chute de l'outil et/ou des accessoires !

- ▶ Utiliser uniquement la longe porte-outil Hilti recommandée pour votre produit.
- ▶ Contrôler l'état du point de fixation de la longe porte-outil avant chaque utilisation.
- ▶ Ne fixer aucune longe porte-outil au mousqueton de ceinture. Ne pas utiliser un mousqueton de ceinture pour soulever le produit.



Respecter les directives nationales en vigueur pour les travaux en hauteur.



Comme protection anti-chute pour ce produit, utiliser exclusivement la longe porte-outil **Hilti** #2261970.

- ▶ Fixer la longe porte-outil au produit avec un mousqueton, comme illustré. Vérifier que le mousqueton tient bien.
- ▶ Fixer le second mousqueton à une structure porteuse. Vérifier que le mousqueton tient bien.



Respecter le mode d'emploi de la longe porte-outil **Hilti**.

5.8 Remplissage pour le mode Chargeur 4



ATTENTION

Risque d'écrasement ! Le retour rapide du poussoir risque de causer des blessures et d'endommager le cloueur.

- ▶ Lors du retrait du poussoir vers le bas, veiller à ce qu'il s'encliquette bien. Ne pas laisser le poussoir revenir rapidement.
1. Tirer le poussoir vers le bas jusqu'à ce qu'il s'enclenche.
 2. Laisser glisser les bandes de clous dans le chargeur (au maximum 3 bandes de respectivement 10 clous).
 3. Bien tenir le poussoir et pousser sur le déverrouillage du poussoir.
 4. Ramener le poussoir en arrière jusqu'à ce qu'il touche un clou.

5.9 Garniture pour le mode Tir unique

BX 3-ME-22



ATTENTION

Risque d'écrasement ! Le retour rapide du poussoir risque de causer des blessures et d'endommager le cloueur.

- ▶ Lors du retrait du poussoir vers le bas, veiller à ce qu'il s'encliquette bien. Ne pas laisser le poussoir revenir rapidement.
1. Tirer le poussoir vers le bas jusqu'à ce qu'il s'enclenche.
 2. Laisser glisser les bandes de clous hors du chargeur et s'assurer que le chargeur est vide.



Le cloueur risque d'être endommagé si les clous n'ont pas tous été sortis du chargeur avant de procéder à un tir unique.

3. Bien tenir le poussoir et pousser sur le déverrouillage du poussoir.
4. Ramener le poussoir en arrière.
5. Insérer le clou dans l'évidement prévu à cet effet dans le canon. En option, il est en outre possible de monter un élément de fixation admis sur le canon.



Le déclenchement avec plus d'un clou dans le canon risque d'endommager le cloueur. En mode Tir unique, remplir le canon tout au plus avec un clou.

6. Actionner l'interrupteur Tir unique.
 - ▶ L'interrupteur Tir unique s'encliquette de manière audible.



Si le poussoir est tiré de quelques centimètres vers le bas, l'interrupteur Tir unique se libère à nouveau.

6 Utilisation

Bien respecter les consignes de sécurité et les avertissements de la présente documentation ainsi que celles figurant sur le produit.

6.1 Utilisation du pied d'appui 5

Sur un matériau support plan, le pied d'appui facilite le placement perpendiculaire du cloueur, car il suffit alors de veiller à l'orientation latérale du positionnement perpendiculaire. Sur un matériau support inégal, il peut s'avérer nécessaire de rabattre le pied d'appui, pour pouvoir orienter le canon perpendiculairement au matériau support.



6.1.1 Rabattement du pied d'appui

1. Appuyer sur le pied d'appui pour le dégager de sa position d'encliquetage.
2. Rebasculer le pied d'appui en arrière.

6.1.2 Déploiement du pied d'appui

ATTENTION

Risque d'écrasement ! Lorsque le pied d'appui se rabat, il y a risque de se coincer les doigts entre le pied d'appui et le boîtier.

- ▶ Pour rabattre le pied d'appui, tenir l'outil de fixation par la poignée.

1. Basculer le pied d'appui vers l'avant.
2. Appuyer par le bas sur le pied d'appui pour l'encliqueter dans la position déployée.

6.2 Désactiver Bluetooth (en option)

- ▶ Appuyer le cloueur pendant 10 secondes sur le matériau support.
 - ▶ Au bout de 6 secondes, l'élément est détendu de manière audible (continuer d'appuyer le cloueur pendant 4 secondes supplémentaires).
 - ▶ L'indicateur d'état clignote 3 fois en bleu.
 - ▶ Le bruit de moteur retentit 3 fois.
 - ▶ La transmission de données n'est plus possible.

Dans un environnement sensible où les connexions Bluetooth ne sont pas autorisées (par ex. un hôpital), la connexion Bluetooth peut être désactivée.
Pour réactiver Bluetooth, enlever l'accu et le remettre en place.

6.3 Mise en marche / Arrêt du cloueur

6.3.1 Mise en marche du cloueur

AVERTISSEMENT

Risque de blessures ! Si le cloueur est appuyé contre une partie du corps, il y a un risque de blessures graves en cas de déclenchement d'un tir par mégarde.

- ▶ **Ne jamais appuyer le cloueur contre la main ou toute autre partie du corps.**

1. Remplir le chargeur en mode Chargeur. → Page 48
2. Mettre l'accu en place. → Page 47
 - ▶ L'indicateur d'état clignote lentement en vert.

En cas de fonctionnement avec une puissance d'accu faible, le cloueur s'arrête pour éviter que les piles d'accu ne soient endommagées.

3. Pour le mettre en marche, appuyer le cloueur contre un matériau support approprié.
 - ▶ Le cloueur est tendu.
 - ▶ L'indicateur d'état s'allume en vert.

6.3.2 Mise à l'arrêt du cloueur

- ▶ Retirer l'accu. → Page 47
 - ▶ L'élément ressort se détend de manière audible et l'indicateur d'état s'éteint.

Au bout de 6 minutes, le cloueur émet un bruit de moteur pour signaler qu'il va s'arrêter. Le cloueur s'arrête automatiquement après cette indication.

6.4 Déclenchement d'un tir

AVERTISSEMENT

Risque de blessures engendré par des éléments de fixation traversants !

- ▶ Avant d'implanter des éléments de fixation, toujours vérifier que personne ne se trouve derrière ou en dessous de l'élément structurel dans lequel l'élément de fixation va être implanté.



⚠ AVERTISSEMENT

Risque de blessures entraînées par des pièces projetées ! Pendant la pose, il y a risque de blessures corporelles et oculaires par projection d'éclats du matériau support et de parties de la bande de clous.

- ▶ **Utiliser un équipement de protection individuel et toujours porter des lunettes et des gants de protection.** Les autres personnes se trouvant à proximité doivent également porter des lunettes de protection et un casque de protection.

⚠ AVERTISSEMENT

Risque de blessures ! Si le cloueur est appuyé contre une partie du corps, il y a un risque de blessures graves en cas de déclenchement d'un tir par mégarde.

- ▶ **Ne jamais appuyer le cloueur contre la main ou toute autre partie du corps.**

1. Avant de commencer le travail, il est conseillé d'implanter 2 éléments de fixation dans le matériau support à titre d'essai.
2. Placer le cloueur perpendiculairement au matériau support et appuyer le canon jusqu'en butée.
 - ▶ Le cloueur est mis en marche.
3. Déclencher le tir en appuyant sur le déclencheur de sécurité.
4. Une fois l'implantation terminée, relever complètement le cloueur du matériau support.



Si le canon est appuyé pendant plus de 6 secondes sur un matériau support, sans qu'un tir ne soit déclenché, le cloueur passe automatiquement en mode Standby. Le cloueur est rechargé en plaçant à nouveau le nez de l'appareil sur le matériau support.

6.5 Retrait de clous en mode Chargeur

1. Tirer le poussoir vers le bas jusqu'à ce qu'il s'enclenche.
2. Pousser les clous vers le bas hors du chargeur.
3. Bien tenir le poussoir et pousser sur le déverrouillage du poussoir.
4. Ramener le poussoir en arrière dans la position de sortie.

6.6 Déblocage d'un clou coincé**⚠ AVERTISSEMENT**

Risque de blessure et d'endommagement de l'outil de fixation. L'utilisation d'objets inappropriés au lieu de l'accessoire d'origine recommandé par Hilti risque de provoquer des blessures et d'endommager l'outil de fixation.

- ▶ Pour débloquer un clou coincé, utiliser exclusivement le chasse-clou recommandé.

⚠ AVERTISSEMENT

Risque de blessures entraînées par des pièces projetées ! Un déclenchement de tir peut entraîner des blessures par des pièces projetées, si des corps étrangers se trouvent dans le canon ou que des éléments de fixation sont restés coincés dans le canon.

- ▶ Ne jamais tenter de remédier soi-même à des défaillances du cloueur en déclenchant d'autres tirs !



Des clous indépendants peuvent se coincer dans le canon. Le kit chasse-clou X-NP permet de retirer les clous coincés dans le canon. Vous trouverez des accessoires dans le magasin **Hilti** ou en ligne sous **www.hilti.group**.

1. Retirer le canon (voir → Page 47).
2. Insérer le canon de l'appareil dans la douille porte-pièce du kit chasse-clou.
3. Sortir les clous coincés à l'aide du kit chasse-clou et d'un marteau hors du canon.
4. Mettre le canon en place (voir → Page 47).

7 Nettoyage et entretien**⚠ AVERTISSEMENT**

Risque de blessures lorsque l'accu est inséré !

- ▶ Toujours retirer l'accu avant tous travaux de nettoyage et d'entretien !



Entretien du produit

- Éliminer avec précaution les saletés récalcitrantes.
- Le cas échéant, nettoyer soigneusement les ouïes d'aération à l'aide d'une brosse sèche et douce.
- Nettoyer le carter de l'appareil uniquement avec un chiffon légèrement humide. Ne pas utiliser de nettoyeurs à base de silicone car ceci pourrait attaquer les pièces en plastique.
- Utiliser un chiffon propre et sec pour nettoyer les contacts du produit.

Entretien des accus Li-ion

- Ne jamais utiliser un accu dont les ouïes d'aération sont bouchées. Nettoyer soigneusement les ouïes d'aération à l'aide d'une brosse sèche et douce.
- Éviter d'exposer inutilement l'accu à la poussière ou à la saleté. Ne jamais exposer l'accu à une forte humidité (par exemple en l'immergeant dans de l'eau ou en le laissant sous la pluie).

Si l'accu a été trempé, le traiter comme un accu endommagé. L'isoler dans un récipient ininflammable et s'adresser au S.A.V. **Hilti**.

- Veiller à ce que l'accu soit toujours exempt de traces de graisse et d'huile étrangères. Ne pas laisser de la poussière ou de la saleté s'accumuler inutilement sur l'accu. Nettoyer l'accu avec une brosse sèche et douce ou un chiffon propre et sec. Ne pas utiliser de nettoyeurs à base de silicone car ceci pourrait attaquer les pièces en plastique.

Ne pas toucher les contacts de l'accu et ne pas enlever la graisse appliquée en usine sur les contacts.

- Nettoyer le carter de l'appareil uniquement avec un chiffon légèrement humide. Ne pas utiliser de nettoyeurs à base de silicone car ceci pourrait attaquer les pièces en plastique.

Entretien

- Vérifier régulièrement qu'aucune pièce visible n'est endommagée et que les organes de commande sont parfaitement opérationnels.
- Ne pas utiliser le produit en cas d'endommagements et/ou de dysfonctionnements. Faire immédiatement réparer le produit par le S.A.V. **Hilti**.
- Après des travaux de nettoyage et d'entretien, vérifier si tous les équipements de protection sont bien en place et fonctionnent parfaitement.



Pour une utilisation en toute sécurité, utiliser uniquement des pièces de rechange et consommables d'origine. Vous trouverez les pièces de rechange, consommables et accessoires autorisés par **Hilti** convenant pour votre produit dans le centre **Hilti Store** ou sous : www.hilti.group

7.1 Nettoyage des faces intérieures du nez de l'appareil

1. Retirer le canon. → Page 47
2. Nettoyer les faces intérieures du nez de l'appareil.
3. Mettre le canon en place. → Page 47

8 Transport et stockage des outils sur accu et des accus

Transport



Mise en marche inopinée lors du transport !

- ▶ Toujours retirer les accus avant de transporter les produits !
- ▶ Retirer les accus.
- ▶ Toujours transporter et stocker l'appareil dans un coffret sécurisé.
- ▶ Ne jamais transporter les accus en vrac. Pendant le transport, les accus doivent être protégés des vibrations et chocs excessifs, isolés de tout matériau conducteur ou autre accu, pour éviter qu'ils n'entrent en contact avec d'autres pôles de batterie et qu'ils provoquent un court-circuit. **Tenir compte des prescriptions locales pour le transport d'accus.**
- ▶ Ne pas envoyer les accus par la poste. S'adresser à un service d'expédition s'il faut envoyer des accus non endommagés.
- ▶ Contrôler l'état du produit et des accus avant chaque utilisation, ainsi qu'avant et après tout transport prolongé.



Stockage



AVERTISSEMENT

Endommagement involontaire du fait d'accus défectueux ou de chute d'accu !

- ▶ Toujours retirer les accus avant de stocker les produits !
-
- ▶ Stocker si possible le produit et les accus dans un endroit sec et frais. Respecter les valeurs limites de température indiquées dans les caractéristiques techniques.
 - ▶ Ne pas stocker les accus sur le chargeur. Retirer toujours l'accu du chargeur après la charge.
 - ▶ Ne jamais stocker les accus exposés au soleil, sur des sources de chaleur ou derrière des vitres.
 - ▶ Stocker le produit et les accus à l'abri des enfants et des personnes non autorisées.
 - ▶ Contrôler l'état du produit et des accus avant chaque utilisation, ainsi qu'avant et après tout stockage prolongé.

9 Aide au dépannage

Sauf indications contraires, tous les signaux lumineux décrits se réfèrent à l'indicateur d'état du cloueur. Pour toutes les défaillances, tenir compte de l'indicateur d'état de charge et d'erreurs de l'accu. Voir le chapitre **Affichages de l'accu Li-Ion**.

En cas de défaillances non énumérées dans ce tableau ou auxquelles il n'est pas possible de remédier sans aide, contacter le S.A.V. **Hilti**.

| Défaillance | Causes possibles | Solution |
|--|--|--|
| L'indicateur d'état clignote en vert. | Accu vide. | ▶ Remplacer l'accu. |
| L'élément ressort n'est pas tendu, l'indicateur d'état clignote en vert. | Accu vide. | ▶ Remplacer l'accu. |
| Impossible de presser le canon et l'indicateur d'état est allumé en bleu . | Chargeur vide. | ▶ Remplir le chargeur en mode Chargeur. → Page 48 |
| Impossible de presser le canon et l'indicateur d'état est allumé en vert . | Poussoir coincé. | ▶ Sortir la bande de clous hors du chargeur et nettoyer le chargeur. |
| | Clou coincé dans le canon. | ▶ Débloquer le clou coincé. → Page 50 |
| L'élément ressort est tendu en différé, et l'indicateur d'état clignote en bleu en même temps qu'un signal acoustique retentit ; l'indicateur d'état s'allume alors en bleu pendant 6 minutes. | Chargeur vide. | ▶ Remplir le chargeur en mode Chargeur. → Page 48 |
| L'élément ressort n'est pas retendu et l'indicateur d'état clignote en jaune. | Température trop élevée dans le cloueur. | ▶ Laisser refroidir le cloueur. |
| | Température de l'accu trop élevée. | ▶ Laisser l'accu refroidir. |
| | Température de l'accu trop basse. | ▶ Laisser l'accu se réchauffer lentement à la température ambiante. |
| L'élément ressort n'est pas tendu et l'indicateur d'état clignote en rouge. | Le canon n'est pas bien en place. | ▶ Mettre le canon en place. → Page 47 |
| L'élément ressort n'est pas tendu et l'indicateur d'état est allumé en rouge. | Défaut de l'appareil. | ▶ S'adresser au S.A.V. Hilti . |
| L'élément ressort n'est pas tendu aucune indication d'état. | Accu vide. | ▶ Remplacer l'accu. |
| | L'accu n'est pas bien en place. | ▶ Retirer l'accu et le remettre correctement en place. → Page 47 |



| Défaillance | Causes possibles | Solution |
|---|--|--|
| L'élément ressort n'est pas tendu aucune indication d'état. | La protection contre la décharge profonde est activée. | ► Enlever l'accu et le remettre en place. |
| Canon coincé à l'état pressé. | Salissures entre le canon et le nez de l'appareil. | ► Nettoyer les faces intérieures du nez de l'appareil. → Page 51 |

10 Recyclage



AVERTISSEMENT

Risque de blessures en cas d'élimination incorrecte ! Émanations possibles de gaz et de liquides nocives pour la santé.

- Ne pas envoyer ni expédier d'accus endommagés !
- Recouvrir les raccordements avec un matériau non conducteur pour éviter tout court-circuit.
- Éliminer les accus en veillant à ce qu'ils soient hors de la portée des enfants.
- Éliminer l'accu en le déposant auprès du **Hilti Store** local ou s'adresser à l'entreprise de collecte des déchets compétente.



Les produits **Hilti** sont fabriqués pour une grande partie en matériaux recyclables. Le recyclage pré suppose un tri adéquat des matériaux. **Hilti** reprend les appareils usagés dans de nombreux pays en vue de leur recyclage. Consulter le service clients **Hilti** ou un conseiller commercial.



- Ne pas jeter les appareils électriques, électroniques et accus dans les ordures ménagères !

11 Garantie constructeur

- En cas de questions sur les conditions de garantie, veuillez vous adresser à votre partenaire **Hilti** local.

12 Informations complémentaires

Des informations complémentaires concernant l'utilisation, la technique, l'environnement et le recyclage sont disponibles sous le lien ci-dessous : qr.hilti.com/manual?id=2268212&id=2268213

Ce lien figure également à la fin de la documentation sous forme de code QR.

Manual de instruções original

1 Indicações sobre a documentação

1.1 Sobre esta documentação

- Antes da colocação em funcionamento, leia esta documentação. Esta é a condição para um trabalho seguro e um manuseamento sem problemas.
- Tenha em atenção as instruções de segurança e as advertências nesta documentação e no produto.
- Guarde o manual de instruções sempre junto do produto e entregue-o a outras pessoas apenas juntamente com este manual.

1.2 Explicação dos símbolos

1.2.1 Advertências

As advertências alertam para perigos durante a utilização do produto. São utilizadas as seguintes palavras de aviso:



PERIGO

PERIGO !

- Indica perigo iminente que pode originar acidentes pessoais graves ou até mesmo fatais.



AVISO

AVISO !

► Indica um possível perigo que pode causar graves ferimentos pessoais, até mesmo fatais.

CUIDADO

CUIDADO !

► Indica uma situação potencialmente perigosa que pode originar ferimentos corporais ou danos materiais.

1.2.2 Símbolos no manual de instruções

Neste manual de instruções são utilizados os seguintes símbolos:

| | |
|--|---|
| | Consultar o manual de instruções |
| | Instruções de utilização e outras informações úteis |
| | Manuseamento com materiais recicláveis |
| | Não deitar as ferramentas eléctricas e baterias no lixo doméstico |
| | Bateria de iões de lítio Hilti |
| | Carregador Hilti |

1.2.3 Símbolos nas figuras

Em figuras são utilizados os seguintes símbolos:

| | |
|---|--|
| | Estes números remetem para a figura respectiva no início do presente manual de instruções. |
| 3 | A numeração reproduz uma sequência dos passos de trabalho na imagem e pode divergir dos passos de trabalho no texto. |
| | Na figura Vista geral são utilizados números de posição que fazem referência aos números da legenda na secção Vista geral do produto . |
| | Este símbolo pretende despertar a sua atenção durante o manuseamento do produto. |

1.3 Símbolos dependentes do produto

1.3.1 Símbolos no produto

No produto, podem usar-se os seguintes símbolos:

| | |
|--------|---|
| | Sinal de obrigação geral |
| | Use óculos de protecção |
| | Use protecção auricular |
| | Use capacete de segurança |
| | O produto suporta a tecnologia NFC que é compatível com plataformas iOS e Android. |
| Li-Ion | Bateria de iões de lítio |
| | Nunca utilize a bateria como ferramenta de percussão. |
| | Não deixe cair a bateria. Não utilize baterias que tenham recebido uma pancada ou que estejam, de outra forma, danificadas. |



1.4 Dados informativos sobre o produto

Os produtos destinam-se ao utilizador profissional e só podem ser operados, mantidos e reparados por pessoal autorizado, devidamente qualificado. Estas pessoas deverão estar informadas em particular sobre os potenciais perigos. O produto e seu equipamento auxiliar podem representar perigo se usados incorrectamente por pessoas não qualificadas ou se usados para fins diferentes daqueles para os quais foram concebidos.

A designação e o número de série são indicados na placa de características.

- ▶ Registe o número de série na tabela seguinte. Precisa dos dados do produto para colocar questões ao nosso representante ou posto de serviço de atendimento aos clientes.

Dados do produto

| | |
|-----------------------|----------------------------------|
| Ferramenta de fixação | BX 3-22 BX 3-L-22 BX 3-ME-22 |
| Geração | 03 |
| N.º de série | |

1.5 Declaração de conformidade

O fabricante declara, sob sua única e exclusiva responsabilidade, que o produto aqui descrito está em conformidade com a legislação vigente e as normas em vigor. Na parte final desta documentação encontra uma reprodução da declaração de conformidade.

As documentações técnicas estão aqui guardadas:

Hilti Entwicklungsgesellschaft mbH | Zulassung Geräte | Hiltistraße 6 | 86916 Kaufering, DE

2 Segurança

2.1 Normas de segurança gerais para ferramentas eléctricas

⚠ AVISO Leia todas as normas de segurança, instruções, imagens e dados técnicos, com os quais esta ferramenta eléctrica está equipada. O não cumprimento das instruções a seguir pode resultar em choque eléctrico, incêndio e/ou ferimentos graves.

Guarde bem todas as normas de segurança e instruções para futura referência.

O termo "ferramenta eléctrica" utilizado nas normas de segurança refere-se a ferramentas com ligação à corrente eléctrica (com cabo de alimentação) ou a ferramentas a bateria (sem cabo).

Segurança no posto de trabalho

- ▶ **Mantenha a sua área de trabalho limpa e bem iluminada.** Locais desarrumados ou mal iluminados podem ocasionar acidentes.
- ▶ **Não utilize a ferramenta eléctrica em ambientes explosivos ou na proximidade de líquidos ou gases inflamáveis.** Ferramentas eléctricas produzem faíscas que podem provocar a ignição de pó e vapores.
- ▶ **Mantenha crianças e terceiros afastados durante os trabalhos.** Distracções podem conduzir à perda de controlo sobre a ferramenta.

Segurança eléctrica

- ▶ **A ficha da ferramenta eléctrica deve servir na tomada. A ficha não deve ser modificada de modo algum. Não utilize quaisquer adaptadores com ferramentas eléctricas com ligação terra.** Fichas originais (não modificadas) e tomadas adequadas reduzem o risco de choque eléctrico.
- ▶ **Evite o contacto do corpo com superfícies ligadas à terra, como, por exemplo, canos, radiadores, fogões e frigoríficos.** Existe um risco elevado de choque eléctrico se o corpo estiver com ligação à terra.
- ▶ **As ferramentas eléctricas não devem ser expostas à chuva nem à humidade.** A infiltração de água numa ferramenta eléctrica aumenta o risco de choque eléctrico.
- ▶ **Não use o cabo de ligação para transportar, pendurar ou desligar a ferramenta eléctrica da tomada. Mantenha o cabo de ligação afastado de calor, óleo, arestas vivas ou partes em movimento.** Cabos de ligação danificados ou emaranhados aumentam o risco de choque eléctrico.
- ▶ **Quando operar uma ferramenta eléctrica ao ar livre, utilize apenas cabos de extensão próprios para utilização no exterior.** A utilização de um cabo de extensão próprio para utilização no exterior reduz o risco de choques eléctricos.
- ▶ **Utilize um disjuntor diferencial se não puder ser evitada a utilização da ferramenta eléctrica em ambiente húmido.** A utilização de um disjuntor diferencial reduz o risco de choque eléctrico.



Segurança física

- ▶ **Esteja alerta, observe o que está a fazer, e tenha prudência ao trabalhar com uma ferramenta eléctrica. Se estiver cansado ou sob influência de drogas, álcool ou medicamentos não efectue nenhum trabalho com ferramentas eléctricas.** Um momento de distração ao operar a ferramenta eléctrica pode causar ferimentos graves.
- ▶ **Use equipamento de segurança. Use sempre óculos de protecção.** Equipamento de segurança, como, por exemplo, máscara antipoeiras, sapatos de segurança antiderrapantes, capacete de segurança ou protecção auricular, de acordo com o tipo e aplicação da ferramenta eléctrica, reduzem o risco de lesões.
- ▶ **Evite um arranque involuntário. Assegure-se de que a ferramenta eléctrica está desligada antes de a ligar à fonte de alimentação e/ou à bateria, pegar nela ou a transportar.** Transportar a ferramenta eléctrica com o dedo no interruptor ou ligar uma ferramenta à tomada com o interruptor ligado (ON) pode resultar em acidentes.
- ▶ **Remova quaisquer chaves de ajuste (chaves de fenda), antes de ligar a ferramenta eléctrica.** Um acessório ou chave deixado preso numa parte rotativa da ferramenta pode causar ferimentos.
- ▶ **Evite posturas corporais desfavoráveis. Mantenha sempre uma posição correcta, em perfeito equilíbrio.** Desta forma será mais fácil manter o controlo sobre a ferramenta eléctrica em situações inesperadas.
- ▶ **Use roupa apropriada. Não use roupa larga ou jóias. Mantenha o cabelo, vestuário e luvas afastados das peças móveis.** Roupas largas, jóias ou cabelos compridos podem ficar presos nas peças móveis.
- ▶ **Se poderem ser montados sistemas de remoção e de recolha de pó, assegure-se de que estes estão ligados e são utilizados correctamente.** A utilização de um sistema de remoção de pó pode reduzir os perigos relacionados com a exposição ao mesmo.
- ▶ **Não se acomode numa falsa sensação de segurança e não ignore os regulamentos de segurança para ferramentas eléctricas, mesmo se estiver familiarizado com a ferramenta eléctrica após numerosas utilizações.** Agir de forma descuidada pode causar ferimentos graves dentro duma fracção de segundo.

Utilização e manuseamento da ferramenta eléctrica

- ▶ **Não sobrecarregue a ferramenta. Use para o seu trabalho a ferramenta eléctrica correcta.** Com a ferramenta eléctrica adequada obterá maior eficiência e segurança se respeitar os seus limites.
- ▶ **Não utilize a ferramenta eléctrica se o interruptor estiver defeituoso.** Uma ferramenta eléctrica que já não possa ser accionada pelo interruptor é perigosa e deve ser reparada.
- ▶ **Retire a ficha da tomada e/ou remova uma bateria amovível antes de efectuar ajustes na ferramenta, substituir acessórios ou guardar a ferramenta.** Esta medida preventiva evita o accionamento acidental da ferramenta eléctrica.
- ▶ **Guarde ferramentas eléctricas não utilizadas fora do alcance das crianças. Não permita que a ferramenta seja utilizada por pessoas não familiarizadas com a mesma ou que não tenham lido estas instruções.** Ferramentas eléctricas operadas por pessoas não treinadas são perigosas.
- ▶ **Faça uma manutenção regular de ferramentas eléctricas e acessórios. Verifique se as partes móveis funcionam perfeitamente e não emperram ou se há peças quebradas ou danificadas que possam influenciar o funcionamento da ferramenta eléctrica. Peças danificadas devem ser reparadas antes da utilização da ferramenta.** Muitos acidentes são causados por ferramentas eléctricas com manutenção deficiente.
- ▶ **Mantenha as ferramentas de corte sempre afiadas e limpas.** Acessórios com gumes afiados tratados correctamente emperram menos e são mais fáceis de controlar.
- ▶ **Utilize a ferramenta eléctrica, acessórios, bits, etc., de acordo com estas instruções. Tome também em consideração as condições de trabalho e o trabalho a ser efectuado.** A utilização da ferramenta eléctrica para outros fins além dos previstos, pode ocasionar situações de perigo.
- ▶ **Mantenha punhos e respectivas superfícies secos, limpos e isentos de óleo e gordura.** Punhos e superfícies afins escorregadios não permitem um manuseamento e controlo seguro da ferramenta eléctrica em situações imprevistas.

Utilização e manuseamento da ferramenta a bateria

- ▶ **Apenas deverá carregar as baterias em carregadores recomendados pelo fabricante.** Num carregador adequado para um determinado tipo de baterias existe perigo de incêndio se for utilizado para outras baterias.
- ▶ **Nas ferramentas eléctricas utilize apenas as baterias previstas.** A utilização de outras baterias pode causar ferimentos e riscos de incêndio.
- ▶ **Quando a bateria não estiver em uso, mantenha-a afastada de outros objectos de metal, como, por exemplo, cliques, moedas, chaves, pregos, parafusos, ou outros pequenos objectos metálicos**



que possam ligar em ponte os contactos. Um curto-circuito entre os contactos da bateria pode causar queimaduras ou incêndio.

- ▶ **Utilizações inadequadas podem provocar derrame do líquido da bateria. Evite o contacto com este líquido. No caso de contacto accidental, enxágue imediatamente com água. Se o líquido entrar em contacto com os olhos, procure auxílio médico.** O líquido que escorre da bateria pode provocar irritações ou queimaduras da pele.
- ▶ **Não utilize uma bateria danificada ou modificada.** Baterias danificadas ou modificadas podem ter um comportamento imprevisível e causar fogo, explosão ou risco de ferimentos.
- ▶ **Não exponha uma bateria ao fogo ou a temperaturas excessivas.** Fogo e temperaturas superiores a 130 °C (265 °F) podem provocar uma explosão.
- ▶ **Cumpra todas as instruções sobre o carregamento e nunca carregue a bateria ou a ferramenta a bateria fora da faixa de temperaturas indicada no manual de instruções.** O carregamento errado ou fora da faixa de temperaturas permitida pode destruir a bateria e aumentar o risco de incêndio.

Manutenção

- ▶ **A sua ferramenta eléctrica só deve ser reparada por pessoal qualificado e só devem ser utilizadas peças sobressalentes originais.** Isto assegurará que a segurança da ferramenta se mantenha.
- ▶ **Nunca faça a manutenção de baterias danificadas.** Qualquer manutenção de baterias só deverá ser realizada pelo fabricante ou serviços de assistência técnica autorizados.

2.2 Normas de segurança para ferramenta de fixação

- ▶ **Parta sempre do princípio de que a ferramenta eléctrica contém pregos.** O manuseamento negligente da ferramenta de fixação pode causar o disparo inesperado de pregos e causar ferimentos.
- ▶ **Não aponte a ferramenta eléctrica para si mesmo ou para outras pessoas nas proximidades.** Em caso de accionamento accidental é disparado um prego, o que pode causar ferimentos.
- ▶ **Não accione a ferramenta eléctrica antes de estar colocada firmemente sobre a peça.** Se a ferramenta eléctrica não estiver em contacto com a peça, o prego pode ricochetear no ponto de fixação.
- ▶ **Desligue a ferramenta eléctrica da rede ou da bateria, caso o prego encrave na ferramenta eléctrica.** Se a ferramenta de fixação estiver ligada, pode ser accionada inadvertidamente ao remover um prego encravado.
- ▶ **Tenha cuidado ao remover um prego encravado.** O sistema pode estar sob tensão e o prego ser disparado com força enquanto tenta reparar o bloqueio.
- ▶ **Ao fixar cabos eléctricos, certifique-se de que estes não se encontram sob tensão eléctrica. Pegue na ferramenta de fixação apenas pela superfície isolada do punho. Utilize somente pregos adequados para a instalação de cabos eléctricos. Verifique se o prego não danificou o isolamento do cabo eléctrico.** Um prego que tenha danificado o isolamento de cabos eléctricos, pode provocar choque eléctrico e risco de incêndio.

2.3 Normas de segurança

Informações ao utilizador

- ▶ Só pode operar ou efectuar a manutenção deste produto, se tiver obtido autorização e instrução para o efeito.

Equipamento de protecção individual

- ▶ Durante a utilização, você e pessoas na proximidade devem utilizar óculos de protecção, protecção auricular e um capacete de protecção.

Segurança física

- ▶ Tenha em atenção as indicações contidas neste manual de instruções sobre utilização, conservação e manutenção.
- ▶ Esteja alerta, observe o que está a fazer e tenha prudência ao trabalhar com a ferramenta de fixação. Não use o produto se estiver cansado ou sob a influência de drogas, álcool ou medicamentos. Interrompa o trabalho em caso de dores ou indisposição. Um momento de distração ao operar a ferramenta pode causar ferimentos graves.
- ▶ Evite uma postura de trabalho inadequada. Mantenha uma posição de trabalho segura e equilibrada.
- ▶ Use calçado antiderrapante.
- ▶ Nunca puxe a guia de fixação ou os elementos de fixação manualmente para trás.
 - ▶ Em certas circunstâncias, o produto pode disparar mesmo se a guia de fixação ou o elemento de fixação for puxado manualmente para trás. Isto pode provocar uma projecção contra qualquer parte do corpo.



- ▶ Mantenha os braços flectidos ao utilizar o produto (não estique os braços).
- ▶ Mantenha outras pessoas, e principalmente as crianças, afastadas do raio de acção da ferramenta durante os trabalhos.
- ▶ Risco de ferimentos devido a queda de ferramentas e/ou acessórios. Antes de iniciar os trabalhos, verifique se a bateria e os acessórios montados estão realmente fixos.
- ▶ Mantenha sempre as saídas de ar desobstruídas. Risco de queimaduras devido a saídas de ar tapadas!
- ▶ Não olhe directamente para a luz de trabalho (LED) nem aponte a luz para o rosto de outras pessoas. Existe risco de encandeamento.

Utilização e manutenção cuidadosa de ferramentas de fixação

- ▶ Perigo devido à ruptura de elementos de fixação! Antes de aplicar os elementos de fixação, certifique-se de que não se encontra ninguém atrás ou por baixo do elemento construtivo no qual será aplicado o elemento de fixação.
- ▶ Utilize o produto certo para o seu trabalho. Não utilize o produto para fins para os quais não foi concebido e apenas se estiver completamente operacional.
- ▶ Nunca deixe um produto carregado sem supervisão.
- ▶ Descarregue sempre o produto antes de iniciar trabalhos de limpeza, de serviço e de manutenção, ao mudar a guia de pregos, se o trabalho for interrompido e antes de guardar (elemento de fixação).
- ▶ Guarde os produtos que não estejam a ser utilizados, descarregados, num local seco e fechado, fora do alcance das crianças.
- ▶ Verifique o produto e os acessórios em relação a eventuais danos. Certifique-se de que todas as peças móveis estão perfeitamente operacionais, sem encravar e sem avarias.
 - ▶ Todas as peças devem estar correctamente montadas e preencher todos os requisitos de segurança para garantirem um funcionamento perfeito do produto. Peças danificadas devem ser reparadas ou substituídas adequadamente pelo Centro de Assistência Técnica **Hilti**, desde que não seja indicado nada em contrário no manual de instruções.
- ▶ Antes de iniciar os trabalhos, verifique o local de trabalho relativamente a cabos eléctricos encobertos, bem como tubos de gás e água. Partes metálicas externas do produto podem causar um choque eléctrico ou uma explosão se, inadvertidamente, danificarem uma linha eléctrica, um cano de gás ou de água.
- ▶ Não assente elementos de fixação em material base inadequado.
 - ▶ Materiais desadequados são aço soldado e aço fundido, ferro fundido, vidro, mármore, plástico, bronze, latão, cobre, material de isolamento, tijolos de madeira, tijolos de cerâmica, chapas finas (< 4 mm) e betão poroso. A fixação nestes materiais poderá fazer com que o elemento quebre, estilhaçe ou atravesse o material base.
- ▶ Pressione o gatilho apenas quando o nariz do produto estiver totalmente encostado na vertical contra o material base.
- ▶ Ao fixar, coloque o produto sempre perpendicularmente à base, para evitar que o elemento de fixação faça ricochete no material base.
- ▶ Mantenha os punhos secos, limpos e isentos de óleo e gordura.
- ▶ Nunca deixe cair o produto.
- ▶ Não utilize o carregador como punho.
- ▶ Não utilize o produto em locais onde exista risco de incêndio ou de explosão, a não ser que esteja especificamente aprovada para tal.
- ▶ Nunca aplique nenhum elemento em furos já existentes, a não ser que tal seja recomendado pela **Hilti** (p. ex., DX-Kwik).

Medidas de segurança mecânicas

- ▶ Nunca proceda a quaisquer manipulações ou modificações no produto ou acessórios, em particular no pistão.
- ▶ Utilize somente elementos de fixação destinados e aprovados para o uso com o produto.

Medidas de segurança térmica

- ▶ Não exceda a máxima frequência de fixação recomendada.
- ▶ Caso o produto tenha sobreaquecido, deixe-o arrefecer.
- ▶ Não desmonte o produto se este estiver quente. Deixe arrefecer o produto.

2.4 Utilização e manutenção de baterias

- ▶ **Tenha em atenção as seguintes normas de segurança para um manuseamento e utilização seguros de baterias de íões de lítio.** A inobservância pode causar irritações da pele, ferimentos corrosivos graves, queimaduras químicas, fogo e/ou explosões.



- ▶ Utilize baterias somente se estiverem em perfeitas condições técnicas.
- ▶ Manuseie cuidadosamente as baterias a fim de evitar danos e impedir a fuga de líquidos extremamente nocivos!
- ▶ As baterias não devem, em caso algum, ser modificadas ou manipuladas!
- ▶ As baterias não devem ser desmontadas, esmagadas, aquecidas acima dos 80 °C (176 °F) ou incineradas.
- ▶ Não utilize ou carregue baterias que tenham recebido uma pancada ou que estejam, de outra forma, danificadas. Verifique regularmente se as suas baterias apresentam indícios de danos.
- ▶ Nunca utilize baterias recicladas ou reparadas.
- ▶ Nunca utilize a bateria ou uma ferramenta eléctrica a bateria como ferramenta de percussão.
- ▶ Nunca expor as baterias à radiação solar directa, temperaturas elevadas, faíscas ou chamas abertas. Isso pode dar origem a explosões.
- ▶ Não toque nos pólos da bateria com os dedos, ferramentas, jóias ou outros objectos condutores da electricidade. Isto pode danificar a bateria e causar danos materiais e ferimentos.
- ▶ Mantenha as baterias afastadas da chuva, humidade e líquidos. A entrada de humidade pode causar curto-circuitos, choques eléctricos, queimaduras, incêndio e explosões.
- ▶ Utilize apenas carregadores e ferramentas eléctricas previstos para este tipo de bateria. Para isso, tenha em atenção as indicações nos respectivos manuais de instruções.
- ▶ Nunca utilize nem guarde a bateria em ambientes potencialmente explosivos.
- ▶ Se a bateria estiver demasiado quente ao toque, poderá estar com defeito. Coloque a bateria num local com boa visibilidade que não constitua risco de incêndio, suficientemente afastado de materiais inflamáveis. Deixe a bateria arrefecer. Se, passado uma hora, a bateria ainda estiver demasiado quente ao toque, então está com defeito. Contacte o Centro de Assistência Técnica **Hilti** ou leia a documento "Indicações relativas à segurança e utilização de baterias de iões de lítio **Hilti**".

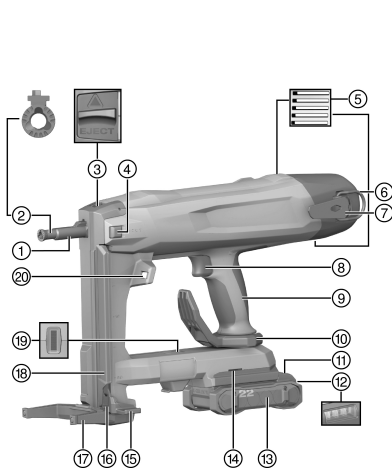


Observe as regras específicas aplicáveis ao transporte, à armazenagem e à utilização de baterias de iões de lítio.

Leia as indicações relativas à segurança e utilização de baterias de iões de lítio **Hilti** que encontra efectuando a leitura do código QR na parte final deste manual de instruções.

3 Descrição

3.1 Vista geral do produto



- ① Nariz da ferramenta
- ② Guia de pregos
- ③ Fecho da guia de pregos
- ④ Interruptor para fixações individuais (BX 3-ME-22)
- ⑤ Saídas de ar
- ⑥ Olhal para o cabo de segurança para ferramentas
- ⑦ Gancho de cinto
- ⑧ Dispositivo de disparo de segurança
- ⑨ Punho
- ⑩ Gancho de cinto/gancho de andaime
- ⑪ Botão de destravamento da bateria
- ⑫ Indicação de estado da bateria
- ⑬ Bateria de iões de lítio
- ⑭ Abertura de montagem para acessórios
- ⑮ Dispensador de pregos
- ⑯ Desbloqueio do dispensador de pregos
- ⑰ Pé de apoio
- ⑱ Carregador
- ⑲ Indicação de estado da ferramenta de fixação
- ⑳ Iluminação da zona de trabalho



3.1.1 Equipamento

A guia de pregos e o pé de apoio dependem do produto. A seguinte tabela mostra o pé de apoio e a guia de pregos que equipam o produto.

Pode encontrar mais informações na tampa da mala, na sua **Hilti Store** ou em: www.hilti.group

| Produto | BX 3-22 | BX 3-L-22 | BX 3-ME-22 |
|----------------|---------------|---------------|---------------|
| Guia de pregos | X-FG B3 IF 02 | X-FG B3 IF 02 | X-FG B3 ME |
| Pé de apoio | X-SL B3 03 | X-SL B3 03 | X-SL B3 ME 03 |

3.2 Utilização correcta

O produto é uma ferramenta de fixação manual alimentada a bateria. Destina-se à aplicação de elementos de fixação especiais em betão, aço, alvenaria, produtos sílico-calcários e outros materiais base apropriados para fixação directa. O produto também se destina à fixação de cabos eléctricos com cliques, caso sejam utilizados para o efeito elementos de fixação adequados. Utilize apenas elementos de fixação aprovados em associação com a guia de pregos prevista para o efeito (consultar o capítulo "Características técnicas"). A ferramenta de fixação, a bateria e os elementos de fixação formam uma unidade técnica. Isto significa que só se pode garantir uma fixação óptima com esta ferramenta de fixação se forem utilizados os elementos de fixação **Hilti** concebidos especialmente para a ferramenta e os carregadores e baterias recomendados pela **Hilti**. As recomendações de fixação e aplicação indicadas pela **Hilti** só serão aplicáveis se estas condições forem observadas.

- ▶ A ferramenta de fixação pode apenas ser utilizada manualmente.
- ▶ Devem ser excluídas utilizações incorrectas. São consideradas utilizações incorrectas fixações em material base muito macio (p. ex., madeira) e fixações em material base muito duro (p. ex., em aço de alta resistência ou pedra natural muito dura).
- Para este produto, utilize apenas baterias de íões de lítio **Hilti** Nuron da série B 22. Para garantir o desempenho perfeito, a **Hilti** recomenda para este produto as baterias indicadas nesta tabela, no fim deste manual de instruções.
- Para estas baterias utilize apenas carregadores **Hilti** das séries referidas na tabela no final deste manual de instruções.

3.3 Dispositivos de segurança

Durante a operação com carregador, a detecção de pregos deverá impedir fixações erradas que podem causar danos na ferramenta de fixação.

O dispositivo de segurança da pressão de contacto deverá impedir a colocação livre de pregos. Na operação com carregador, a ferramenta de fixação pode apenas ser pressionada e disparada com prego colocado.

3.4 Características do equipamento

A ferramenta de fixação está equipada com um punho ergonómico, antideslizante e com absorção de vibrações, um gancho de cinto e de andaime e também um pé de apoio. A ferramenta de fixação é protegida contra sobrecarga através de uma protecção electrónica contra sobrecarga e contra sobreaquecimento através de uma monitorização da temperatura.

3.5 Indicação de estado da ferramenta de fixação

A indicação de estado da ferramenta de fixação fornece informação sobre os estados da ferramenta de fixação.

| Estado | Significado |
|--------------------------------------|---|
| LED está desligado | A ferramenta de fixação está desligada |
| LED acende-se a verde. | A ferramenta de fixação está ligada e pronta a funcionar |
| LED pisca a verde. | Bateria demasiado quente ou bateria demasiado fraca |
| LED pisca a verde a cada 3 segundos. | A ferramenta de fixação está em modo de standby, pressionando o nariz da ferramenta liga-se a ferramenta de fixação |



| Estado | Significado |
|---------------------------|---|
| LED acende-se a azul. | A ferramenta de fixação está ligada, devem ser recarregadas fitas de pregos |
| LED pisca a azul. | A ferramenta de fixação está ligada, o carregador está completamente vazio |
| LED pisca a amarelo. | Ferramenta de fixação está demasiado quente, consultar tabela de avarias |
| LED pisca a vermelho. | Avaria na ferramenta, consultar tabela de avarias |
| LED acende-se a vermelho. | Avaria na ferramenta, consultar tabela de avarias |

3.6 Indicações da bateria de iões de lítio

As baterias de iões de lítio **Hilti** Nuron podem apresentar o estado de carga, mensagens de erro e o estado da bateria.

3.6.1 Indicações relativas ao estado de carga e mensagens de erro



AVISO

Risco de ferimentos devido à queda da bateria!

- ▶ Com a bateria encaixada, depois de pressionar o botão de destravamento, certifique-se de que volta a encaixar a bateria correctamente no produto utilizado.

Para obter uma das seguintes indicações, pressione brevemente o botão de destravamento da bateria.

O estado de carga, assim como, possíveis avarias são apresentados de forma permanente, enquanto o produto conectado estiver ligado.

| Estado | Significado |
|---|--|
| Quatro (4) LEDs estão sempre acesos a verde | Estado de carga: 100% a 71% |
| Três (3) LEDs estão sempre acesos a verde | Estado de carga: 70% a 51% |
| Dois (2) LEDs estão sempre acesos a verde | Estado de carga: 50% a 26% |
| Um (1) LED está sempre aceso a verde | Estado de carga: 25% a 10% |
| Um (1) LED pisca lentamente a verde | Estado de carga: < 10% |
| Um (1) LED pisca rapidamente a verde | A bateria de iões de lítio está completamente descarregada. Carregue a bateria. Se o LED ainda estiver a piscar rapidamente depois de carregar a bateria, contacte o Centro de Assistência Técnica Hilti . |
| Um (1) LED pisca rapidamente a amarelo | A bateria de iões de lítio ou o produto associado estão sobrecarregados, demasiado quentes, demasiado frios ou existe alguma outra falha. O produto e a bateria devem ser utilizados à temperatura de trabalho recomendada e o produto não deve ser sobrecarregado quando está a ser utilizado. Se a mensagem persistir, contacte o Centro de Assistência Técnica Hilti . |
| Um (1) LED acende-se a amarelo | A bateria de iões de lítio e o produto a ela ligado não são compatíveis. Contacte a Assistência Técnica Hilti . |
| Um (1) LED pisca rapidamente a vermelho | A bateria de iões de lítio está bloqueada e não pode continuar a ser utilizada. Contacte a Assistência Técnica Hilti . |

3.6.2 Indicações relativas ao estado da bateria

Para consultar o estado da bateria, mantenha o botão de destravamento pressionado por mais de três segundos. O sistema não detecta potenciais anomalias da bateria devido a utilização inadequada como, por ex., quedas, perfurações, danos externos provocados pelo calor, etc.



| Estado | Significado |
|---|---|
| Todos os LEDs acendem como luz de perseguição e, em seguida, um (1) LED está sempre aceso a verde. | A bateria pode continuar a ser utilizada. |
| Todos os LEDs acendem como luz de perseguição e, em seguida, um (1) LED pisca rapidamente a amarelo. | Não foi possível concluir a consulta sobre o estado da bateria. Repita o procedimento ou contacte o Centro de Assistência Técnica Hilti . |
| Todos os LEDs acendem como luz de perseguição e, em seguida, um (1) LED está sempre aceso a vermelho. | Se um produto conectado ainda puder ser utilizado, a capacidade restante da bateria é inferior a 50%. Se um produto conectado já não puder ser utilizado, a bateria está no fim da sua vida útil e deve ser substituída. Contacte a Assistência Técnica Hilti . |

3.7 Bluetooth® (opcional)

A marca nominativa Bluetooth®, bem como os símbolos gráficos (logótipos), são marcas registadas e propriedade da Bluetooth SIG, Inc. Qualquer utilização desta marca nominativa/destes símbolos gráficos por parte da **Hilti Aktiengesellschaft** é realizada sob licença.

3.7.1 Utilização conforme a finalidade projectada

Este produto está equipado com um Bluetooth® Low Energy Module que torna possível a verificação do estado de uma ferramenta eléctrica, bem como a transmissão de definições e dados com base na tecnologia rádio Bluetooth®, uma transmissão de dados sem fios, através da qual dois produtos Bluetooth podem comunicar entre si a uma curta distância. Este produto está projectado para permitir a comunicação e a transferência de dados com telemóveis e gateways **Hilti**. O produto pode enviar as características dos dados, como a localização do terminal receptor, o tempo de funcionamento, o número total de aplicações, o número de aplicações durante o intervalo e o carimbo de data/hora da transmissão. Na aplicação **Hilti** (App) correspondente ou no manual de instruções da ferramenta eléctrica utilizada pode obter informações sobre as funções de conectividade oferecidas.

3.7.2 Transmissão de dados por Bluetooth®

O intervalo de envio pode variar em função da fonte de energia disponível do produto. O alcance pode variar muito em função das condições exteriores, inclusive do receptor utilizado. Dentro de espaços fechados e devido a barreiras metálicas (p. ex., paredes, prateleiras, malas, etc.), o alcance do Bluetooth® pode ser substancialmente mais baixo. Consoante o ambiente podem ser necessários vários intervalos de emissão antes que a ferramenta eléctrica seja identificada.

Caso a ferramenta eléctrica não seja identificada, comprove o seguinte:

A distância ao terminal móvel é demasiado grande?

→ Reduza a distância entre o terminal móvel e a ferramenta eléctrica

3.7.3 Instalação e configuração da App

Para poder utilizar as funções de conectividade, tem de instalar primeiro a App **Hilti** correspondente.

(1.) Descarregue a App numa respectiva App-Store.



Pressupõe-se a existência de uma conta de utilizador na loja de Apps correspondente.

(2.) Depois de iniciar a App pela primeira vez, inicie sessão com a sua conta ou registe-se.

(3.) O visor do seu terminal móvel mostrará todos os restantes passos para a ligação da ferramenta eléctrica ao seu terminal móvel.



Execute primeiro por completo o tutorial da App. Assim obterá uma melhor visão geral do processo de ligação e da utilização das funções de conectividade.



3.8 Protecção contra descarga total

O produto dispõe de um modo de suspensão para protecção da bateria de iões de lítio contra descarga total. Assim evita-se que a bateria fique totalmente descarregada.

- A protecção contra descarga total é activada passados 360 minutos.
- Para desactivar a protecção contra descarga total, retire a bateria e insira-a de novo.

3.9 Incluído no fornecimento

Ferramenta de fixação, manual de instruções.

Poderá encontrar outros produtos de sistema aprovados para o seu produto na sua **Hilti Store** ou em: www.hilti.group

4 Características técnicas

| | BX 3-22 | BX 3-L-22 | BX 3-ME-22 |
|--|-------------------------|-------------------------|-------------------------|
| Peso de acordo com EPTA Procedure 01 sem bateria | 3,5 kg | 3,5 kg | 3,4 kg |
| Comprimento do prego em cartucho | 14 mm ... 30 mm | 14 mm ... 36 mm | 14 mm ... 24 mm |
| Comprimento do prego em fixações individuais | •/• | •/• | 30 mm ... 36 mm |
| Diâmetro do prego | 3 mm | 2,75 mm ... 3,0 mm | 3 mm |
| Capacidade do carregador | 30 pregos | 30 pregos | 20 pregos |
| Movimento de contacto | 12 mm | 12 mm | 12 mm |
| Pressão de contacto | 50 N ... 70 N | 50 N ... 70 N | 50 N ... 70 N |
| Frequência máxima de fixação recomendada à temperatura ambiente | 700/h | 700/h | 700/h |
| Tensão nominal | 21,6 V | 21,6 V | 21,6 V |
| Máxima potência de transmissão radiada Bluetooth® | 8 dBm | 8 dBm | 8 dBm |
| Gama de frequências Bluetooth | 2 402 MHz ... 2 480 MHz | 2 402 MHz ... 2 480 MHz | 2 402 MHz ... 2 480 MHz |
| Temperatura de armazenagem | -20 °C ... 70 °C | -20 °C ... 70 °C | -20 °C ... 70 °C |
| Temperatura ambiente durante o funcionamento | -17 °C ... 60 °C | -17 °C ... 60 °C | -17 °C ... 60 °C |

4.1 Bateria

| | |
|---|--|
| Tensão de serviço da bateria | 21,6 V |
| Peso da bateria | Consultar o fim deste manual de instruções |
| Temperatura ambiente durante o funcionamento | -17 °C ... 60 °C |
| Temperatura de armazenagem | -20 °C ... 40 °C |
| Temperatura da bateria no início do carregamento | -10 °C ... 45 °C |

4.2 Informação sobre o ruído e valores de vibração em conformidade com a EN 62841

Os valores de pressão acústica e de vibração indicados nestas instruções foram medidos em conformidade com um processo de medição normalizado, podendo ser utilizados para a intercomparação de ferramentas eléctricas. Estes valores são também apropriados para uma estimativa preliminar das exposições.



Os dados indicados representam as aplicações principais da ferramenta eléctrica. No entanto, se a ferramenta eléctrica for utilizada para outras aplicações, com acessórios diferentes dos indicados ou manutenção insuficiente, os dados podem diferir. Isso pode aumentar notoriamente as exposições durante todo o período de trabalho.

Para uma avaliação exacta das exposições também se devem considerar os períodos durante os quais a ferramenta está desligada ou, embora ligada, não esteja de facto a ser utilizada. Isso pode reduzir notoriamente as exposições durante todo o período de trabalho.

Defina medidas de segurança adicionais para protecção do operador contra a acção do ruído e/ou de vibrações, como, por exemplo: manutenção da ferramenta eléctrica e dos acessórios, medidas para manter as mãos quentes, organização dos processos de trabalho.

Informação sobre o ruído

| | | BX 3-22 | BX 3-L-22 | BX 3-ME-22 |
|--|--------------|---------|-----------|------------|
| Nível de potência acústica ponderado A típico (ao inserir pregos) (L_{WA}) | Betão | 96 dB | 96 dB | 96 dB |
| | Aço | 100 dB | 100 dB | 100 dB |
| Nível de pressão sonora ponderado A típico (ao inserir pregos) (L_{pA}) | Betão | 85 dB | 85 dB | 85 dB |
| | Aço | 89 dB | 89 dB | 89 dB |
| Incerteza dos níveis sonoros indicados (K_{WA}, K_{pA}) | | 3 dB | 3 dB | 3 dB |

Valores totais da vibração uniaxial (na direcção z)

| | | BX 3-22 | BX 3-L-22 | BX 3-ME-22 |
|---|--------------|----------------------|----------------------|----------------------|
| Valor da emissão de vibração (ao inserir pregos) com bateria B22 55 (a_h) | Betão | 2,5 m/s ² | 2,5 m/s ² | 2,5 m/s ² |
| | Aço | 3,3 m/s ² | 3,3 m/s ² | 3,3 m/s ² |
| Valor da emissão de vibração (ao inserir pregos) com bateria B22 85 (a_h) | Betão | 2,9 m/s ² | 2,9 m/s ² | 2,9 m/s ² |
| | Aço | 3,5 m/s ² | 3,5 m/s ² | 3,5 m/s ² |
| Incerteza (K) | | 1,5 m/s ² | 1,5 m/s ² | 1,5 m/s ² |

5 Preparação do local de trabalho

AVISO

Risco de ferimentos devido a arranque involuntário!

- ▶ Antes de encaixar a bateria, certifique-se de que o produto correspondente está desligado.
- ▶ Remova a bateria, antes de efectuar ajustes na ferramenta ou substituir acessórios.

Tenha em atenção as instruções de segurança e as advertências nesta documentação e no produto.

5.1 Carregar a bateria

1. Antes de carregar, leia o manual de instruções do carregador.
2. Certifique-se de que os contactos da bateria e do carregador estão limpos e secos.
3. Carregue a bateria num carregador aprovado. → Página 60

5.2 Colocar a bateria

AVISO

Risco de ferimentos devido a curto-circuito ou queda da bateria!

- ▶ Antes de encaixar a bateria, certifique-se de que os contactos da bateria e os contactos no produto estão livres de corpos estranhos.
- ▶ Certifique-se de que a bateria engata sempre correctamente.

1. A bateria deve ser completamente carregada antes da primeira utilização.
2. Introduza a bateria no produto até engatar de forma audível.
3. Verifique se a bateria está correctamente encaixada.

5.3 Retirar a bateria

1. Pressione o botão de destravamento da bateria.
2. Puxe a bateria para fora do produto.



5.4 Retirar a guia de pregos

1. Puxe o dispensador de pregos para baixo até engatar.
2. Esvazie o carregador. → Página 68
3. Empurre o fecho da guia de pregos no sentido da seta até ao batente.
 - ▶ A guia de pregos é libertada.
4. Retire a guia de pregos.

5.5 Colocar a guia de pregos

1. Puxe o dispensador de pregos para baixo até engatar.
2. Esvazie o carregador. → Página 68
3. Empurre o fecho da guia de pregos no sentido da seta até ao batente e mantenha-o nesta posição.
4. Empurre a guia de pregos até engatar de forma audível no nariz da ferramenta.
5. Solte o fecho da guia de pregos.
 - ▶ O fecho da guia de pregos salta para a posição central.
6. Verifique o encaixe correcto da guia de pregos, puxando-a.

5.6 Trabalho seguro com gancho de cinto e de andaime 2

- ▶ Antes de iniciar o trabalho, certifique-se de que o gancho de cinto/de andaime está bem fixo ao produto.
- ▶ Utilize o gancho de cinto/de andaime apenas enquanto isso for necessário. Pouse o produto de forma segura, se não o utilizar durante um longo período de tempo.

5.7 Protecção anti-queda 3



AVISO

Risco de ferimentos devido a queda de ferramentas e/ou acessórios!

- ▶ Utilize apenas o cabo de segurança para ferramentas **Hilti** recomendado para o seu produto.
- ▶ Antes de cada utilização, verifique o ponto de fixação do cabo de segurança para ferramentas quanto a possíveis danos.
- ▶ Não fixe nenhum cabo de segurança para ferramentas no gancho de cinto. Não utilize um gancho de cinto para elevação do produto.



Observe as directivas nacionais para trabalhos em altura.

Utilize exclusivamente o cabo de segurança para ferramentas **Hilti** #2261970 como protecção anti-queda para este produto.

- ▶ Fixe o cabo de segurança para ferramentas ao produto com um mosquetão, como ilustrado na imagem. Verifique se o mosquetão está bem apertado.
- ▶ Fixe o segundo mosquetão a uma estrutura de suporte. Verifique se o mosquetão está bem apertado.



Observe o manual de instruções do cabo de segurança para ferramentas **Hilti**.

5.8 Carregar para operação com carregador 4



CUIDADO

Risco de esmagamento! O ressalto do dispensador de pregos pode causar ferimentos e danos na ferramenta de fixação.

- ▶ Ao puxar para baixo o dispensador de pregos, certifique-se de que este engata de forma segura. Não permita que o dispensador de pregos ressalte.

1. Puxe o dispensador de pregos para baixo até engatar.
2. Coloque a fita de pregos e deixe deslizar para o carregador (máximo de 3 fitas com 10 pregos cada).
3. Segure bem o dispensador de pregos e pressione o desbloqueio do dispensador de pregos.
4. Conduza o dispensador de pregos para trás, até que toque num prego.



5.9 Carregar para operação de fixação individual


BX 3-ME-22

CUIDADO


Risco de esmagamento! O ressalto do dispensador de pregos pode causar ferimentos e danos na ferramenta de fixação.

- ▶ Ao puxar para baixo o dispensador de pregos, certifique-se de que este engata de forma segura. Não permita que o dispensador de pregos ressalte.


1. Puxe o dispensador de pregos para baixo até engatar.
2. Deixe a fita de pregos deslizar para fora do carregador, e certifique-se de que o carregador está vazio.

 A ferramenta de fixação poderá ser danificada se, antes de fixar na operação de fixação individual não tiver retirado todos os pregos do carregador.

3. Segure bem o dispensador de pregos e pressione o desbloqueio do dispensador de pregos.
4. Faça deslizar o dispensador de pregos para trás.
5. Coloque o prego no recesso previsto para o efeito na guia de pregos. Como opção, em seguida, poderá ainda encaixar adicionalmente um elemento de fixação aprovado na guia de pregos.

 A fixação com mais do que um prego na guia de pregos pode causar danos na ferramenta de fixação. Na operação de fixação individual, equipe a guia de pregos com no máximo um prego.

6. Accione o interruptor para fixações individuais.
 - ▶ O interruptor para fixações individuais engata de forma audível.

 Se o dispensador de pregos for puxado para baixo alguns centímetros, o interruptor para fixações individuais volta a soltar-se.

6 Utilização

Tenha em atenção as instruções de segurança e as advertências nesta documentação e no produto.

6.1 Utilização do pé de apoio

Em material base nivelado, o pé de apoio facilita o posicionamento em ângulo recto da ferramenta de fixação, visto que já só é necessário prestar atenção ao posicionamento em ângulo recto no sentido lateral. Em material base desnivelado pode ser necessário fechar o pé de apoio para alinhar a guia de pregos em ângulo recto em relação ao material base.

6.1.1 Fechar o pé de apoio

1. Pressione contra o pé de apoio, para o soltar da sua posição de engate.
2. Rode o pé de apoio para trás.

6.1.2 Abrir o pé de apoio

CUIDADO

Risco de esmagamento! Ao dobrar o pé de apoio existe o perigo de esmagar os dedos entre o pé de apoio e a carcaça.

- ▶ Segure a ferramenta de fixação pelo punho ao dobrar o pé de apoio.

1. Rode o pé de apoio para a frente.
2. Pressione contra o pé de apoio a partir de baixo para o engatar na posição aberta.

6.2 Desligar o Bluetooth (opcional)

- ▶ Pressione a ferramenta de fixação durante 10 segundos contra o material base.
 - ▶ Após 6 segundos, o elemento de mola é aliviado de forma audível (mantenha a ferramenta de fixação pressionada durante mais 4 segundos).
 - ▶ A indicação de estado pisca 3 a azul.
 - ▶ O ruído do motor soa 3 vezes.



- ▶ Deixa de ser possível qualquer transmissão dos dados.



Se estiver num ambiente sensível (p. ex., num hospital), onde não é permitido o uso de Bluetooth, poderá desactivar o Bluetooth.

Para voltar a ligar o Bluetooth, retire a bateria e insira-a de novo.

6.3 Ferramenta de fixação, ligar/desligar

6.3.1 Ligar a ferramenta de fixação



AVISO

Risco de ferimentos! O pressionamento da ferramenta de fixação contra uma parte do corpo pode causar graves ferimentos em caso de accionamento accidental de uma fixação.

- ▶ **Nunca pressione a ferramenta de fixação contra a sua mão ou uma outra parte do corpo.**

1. Na operação com carregador, coloque pregos no carregador. → Página 65
2. Coloque a bateria. → Página 64
 - ▶ A indicação de estado pisca lentamente a verde.



Na operação com performance diminuída da bateria, a ferramenta de fixação desliga-se antes que ocorram eventuais danos nos elementos da bateria.

3. Para ligar a ferramenta de fixação, pressione-a contra um material base adequado.
 - ▶ A ferramenta de fixação é tensionada.
 - ▶ A indicação de estado acende-se a verde.

6.3.2 Desligar a ferramenta de fixação

- ▶ Retire a bateria. → Página 64
- ▶ O elemento de mola é aliviado de forma audível e a indicação de estado apaga-se.



A ferramenta de fixação produz um ruído de motor passados 6 minutos como indicação de que a mesma se vai desligar. A ferramenta de fixação desliga-se automaticamente após a indicação.

6.4 Efectuar fixação



AVISO

Risco de ferimentos devido à ruptura de elementos de fixação!

- ▶ Antes de aplicar os elementos de fixação, certifique-se de que não se encontra ninguém atrás ou por baixo do elemento construtivo no qual será aplicado o elemento de fixação.



AVISO

Risco de ferimentos devido a peças projectadas! Durante o processo de fixação existe o risco de ferimentos no corpo e nos olhos causados pelo material fragmentado da base e por peças projectadas da fita de pregos.

- ▶ **Use equipamento de protecção individual. Use sempre protecção para os olhos e luvas de protecção.** Também outras pessoas na área envolvente têm de utilizar óculos de protecção e um capacete de segurança.



AVISO

Risco de ferimentos! O pressionamento da ferramenta de fixação contra uma parte do corpo pode causar graves ferimentos em caso de accionamento accidental de uma fixação.

- ▶ **Nunca pressione a ferramenta de fixação contra a sua mão ou uma outra parte do corpo.**

1. Antes de começar com o trabalho, para efeitos de teste, coloque 2 elementos de fixação na sua base.
2. Coloque a ferramenta de fixação em ângulo recto em relação ao material base e pressione a guia de pregos até ao batente.
 - ▶ A ferramenta de fixação é ligada.
3. Accione a fixação, premindo o dispositivo de disparo de segurança.



4. Após a fixação, levante completamente a ferramenta de fixação do material base.



Se a guia de pregos for pressionada contra um material base durante mais de 6 segundos sem que seja desencadeada uma fixação, a ferramenta de fixação muda automaticamente para o modo de standby. A ferramenta de fixação volta a ser carregada encostando de novo o nariz da ferramenta ao material base.

6.5 Retirar pregos em operação com carregador

1. Puxe o dispensador de pregos para baixo até engatar.
2. Empurre os pregos para baixo, para fora do carregador.
3. Segure bem o dispensador de pregos e pressione o desbloqueio do dispensador de pregos.
4. Volte a conduzir o dispensador de pregos para a posição inicial.

6.6 Soltar um prego encravado



AVISO

Risco de ferimentos e danificação da ferramenta de fixação. A utilização de objectos inadequados em vez dos acessórios originais recomendados da Hilti pode dar origem a ferimentos e danificar a ferramenta de fixação.

- ▶ Para soltar um prego encravado, utilize exclusivamente o conjunto de punções recomendado.



AVISO

Risco de ferimentos devido a peças projectadas! Uma fixação pode provocar ferimentos devido a peças projectadas, se houver objectos estranhos na área da guia de pregos ou se houver elementos de fixação presos na guia de pregos.

- ▶ Nunca tente corrigir avarias na ferramenta de fixação através do accionamento de outras fixações!



É possível que alguns pregos fiquem encravados na guia de pregos. Com ajuda do conjunto de punções X-NP é possível retirar pregos encravados da guia de pregos. Pode encontrar os acessórios na sua loja Hilti ou online em www.hilti.group.

1. Retire a guia de pregos (ver → Página 65).
2. Encaixe a guia de pregos no casquilho de alojamento do conjunto de punções.
3. Extraia o prego encravado da guia de pregos com ajuda do punção e de um martelo.
4. Coloque a guia de pregos (ver → Página 65).

7 Conservação e manutenção



AVISO

Risco de lesão com a bateria encaixada !

- ▶ Retire sempre a bateria antes de todos os trabalhos de conservação e manutenção!

Conservação do produto

- Remova sujidade persistente com cuidado.
- Se existente, limpe as saídas de ar cuidadosamente com uma escova seca e macia.
- Limpe a carcaça apenas com um pano ligeiramente húmido. Não utilize produtos de conservação que contenham silicone, uma vez que estes podem danificar os componentes de plástico.
- Utilize um pano limpo e seco, para limpar os contactos do produto.

Conservação das baterias de iões de lítio

- Nunca utilize uma bateria com as saídas de ar obstruídas. Limpe as saídas de ar cuidadosamente com uma escova seca e macia.
- Evite que a bateria seja exposta desnecessariamente a pó ou sujidade. Nunca exponha a bateria a humidade elevada (por ex., mergulhar em água ou deixar à chuva).
Se uma bateria tiver ficado encharcada, trate-a como uma bateria danificada. Isole-a num recipiente não inflamável e contacte o Centro de Assistência Técnica Hilti.



- Mantenha a bateria sem resíduos de óleo e massa consistente externa. Não permita que se acumule desnecessariamente pó ou sujidade sobre a bateria. Limpe a bateria com uma escova seca e macia ou um pano limpo e seco. Não utilize produtos de conservação que contenham silicone, uma vez que estes podem danificar os componentes de plástico.
Não toque nos contactos da bateria nem remova dos contactos a massa consistente aplicada de fábrica.
- Limpe a carcaça apenas com um pano ligeiramente húmido. Não utilize produtos de conservação que contenham silicone, uma vez que estes podem danificar os componentes de plástico.

Manutenção

- Verifique, regularmente, todos os componentes visíveis quanto a danos e os comandos operativos quanto a funcionamento perfeito.
- Não opere o produto se existirem danos e/ou perturbações de funcionamento. Mandar reparar o produto imediatamente no Centro de Assistência Técnica **Hilti**.
- Após os trabalhos de conservação e manutenção, aplique todos os dispositivos de protecção e verifique se funcionam correctamente.



Para um funcionamento seguro, utilize apenas peças sobresselentes e consumíveis originais. Poderá encontrar peças sobresselentes, consumíveis e acessórios aprovados pela **Hilti** para o seu produto na sua **Hilti Store** ou em: www.hilti.group

7.1 Limpar o interior do nariz da ferramenta

1. Retire a guia de pregos. → Página 65
2. Limpe o interior do nariz da ferramenta.
3. Coloque a guia de pregos. → Página 65

8 Transporte e armazenamento de ferramentas a bateria e baterias

Transporte

CUIDADO

Arranque inadvertido durante o transporte !

- ▶ Transporte os seus produtos sempre sem as baterias colocadas!
- ▶ Retirar as baterias.
- ▶ Transporte e guarde a ferramenta sempre numa mala protegida.
- ▶ Nunca transportar as baterias em embalagem solta. Durante o transporte, as baterias devem ser protegidas contra impactos e vibrações excessivos e isoladas de quaisquer materiais condutores ou outras baterias, para que não entrem em contacto com os pólos de outras baterias e causem um curto-circuito. **Observe as suas normas de transporte locais para baterias.**
- ▶ As baterias não devem ser enviadas por correio. Quando pretender enviar baterias não danificadas, contacte uma empresa transportadora.
- ▶ Verifique o produto e as baterias quanto a danos antes de cada utilização, bem como antes e depois de longos períodos de transporte.

Armazenamento

AVISO

Dano acidental devido a baterias com defeito ou a perderem líquido !

- ▶ Armazene os seus produtos sempre sem as baterias colocadas!
- ▶ Guardar o produto e as baterias em lugar fresco e seco. Tenha em atenção os valores limite de temperatura, que estão indicados nas Características técnicas.
- ▶ Não guardar as baterias no carregador. Após o processo de carregamento, retire sempre a bateria do carregador.
- ▶ Nunca armazenar as baterias em locais onde fiquem sujeitas à exposição solar, em cima de fontes de calor ou por trás de um vidro.
- ▶ Guardar o produto e as baterias fora do alcance das crianças e das pessoas não autorizadas.
- ▶ Verifique o produto e as baterias quanto a danos antes de cada utilização, bem como antes e depois de longos períodos de armazenamento.



9 Ajuda em caso de avarias

Salvo indicação em contrário, todos os sinais luminosos descritos referem-se à indicação de estado da ferramenta de fixação. Em todas as avarias, observe o indicador do estado de carga e de avaria da bateria. Consultar capítulo **Indicações da bateria de iões de lítio**.

No caso de avarias que não sejam mencionadas nesta tabela ou se não conseguir resolvê-las por si mesmo, contacte o nosso Centro de Assistência Técnica **Hilti**.

| Avaria | Causa possível | Solução |
|--|--|--|
| A indicação de estado pisca a verde. | Bateria descarregada. | ▶ Substitua a bateria. |
| O elemento de mola não é tensionado, indicação de estado pisca a verde. | Bateria descarregada. | ▶ Substitua a bateria. |
| Não é possível pressionar a guia de pregos e a indicação de estado acende a azul . | Carregador vazio. | ▶ Na operação com carregador, coloque pregos no carregador. → Página 65 |
| Não é possível pressionar a guia de pregos e a indicação de estado acende a verde . | Dispensador de pregos encravado. | ▶ Retirar a fita de pregos do carregador e limpar o carregador. |
| | Prego encravado na guia de pregos. | ▶ Solte o prego encravado. → Página 68 |
| O elemento de mola é tensionado com retardamento, a indicação de estado pisca a azul, ao mesmo tempo soa um sinal acústico; em seguida, a indicação de estado acende a azul durante 6 minutos. | Carregador vazio. | ▶ Na operação com carregador, coloque pregos no carregador. → Página 65 |
| O elemento de mola não é retensionado e a indicação de estado pisca a amarelo. | Sobreaquecimento na ferramenta de fixação. | ▶ Deixe a ferramenta de fixação arrefecer. |
| | Temperatura da bateria demasiado elevada. | ▶ Deixe a bateria arrefecer. |
| | Temperatura da bateria demasiado baixa. | ▶ Deixe a bateria aquecer lentamente até à temperatura ambiente. |
| O elemento de mola não é tensionado e a indicação de estado pisca a vermelho. | Guia de pregos não correctamente encaixada. | ▶ Coloque a guia de pregos. → Página 65 |
| Elemento de mola não é tensionado e indicação de estado acende a vermelho. | Avarias da ferramenta. | ▶ Dirija-se ao Centro de Assistência Técnica Hilti . |
| Elemento de mola não é tensionado; nenhuma indicação de estado. | Bateria descarregada. | ▶ Substitua a bateria. |
| | Bateria não correctamente encaixada. | ▶ Retire a bateria e insira-a correctamente. → Página 64 |
| | Protecção contra descarga total está activa. | ▶ Retire a bateria e insira-a de novo. |
| Guia de pregos encravada no estado pressionado. | Sujidade entre guia de pregos e nariz da ferramenta. | ▶ Limpe o interior do nariz da ferramenta. → Página 69 |



10 Reciclagem

AVISO

Perigo de ferimentos devido a eliminação incorrecta! Riscos para a saúde devido à fuga de gases ou líquidos.

- ▶ Não envie quaisquer baterias danificadas!
- ▶ Para evitar curto-circuitos, cubra as conexões com um material não condutor.
- ▶ Elimine as baterias de modo a mantê-las longe do alcance das crianças.
- ▶ Efectue a reciclagem da bateria na sua **Hilti Store** ou entre em contacto com a empresa de recolha de lixo responsável.

Os produtos **Hilti** são, em grande parte, fabricados com materiais recicláveis. Um pré-requisito para a reciclagem é que esses materiais sejam devidamente separados. Em muitos países, a **Hilti** aceita o seu aparelho usado para reaproveitamento. Para mais informações, dirija-se ao Serviço de Clientes **Hilti** ou ao seu vendedor.



- ▶ Não deite as ferramentas eléctricas, aparelhos electrónicos e baterias no lixo doméstico!

11 Garantia do fabricante

- ▶ Se tiver dúvidas em relação às condições de garantia, contacte o seu parceiro **Hilti** local.

12 Mais informações

Pode consultar informações mais pormenorizadas sobre Utilização, Tecnologia, Meio ambiente e Reciclagem na seguinte hiperligação: qr.hilti.com/manual?id=2268212&id=2268213

Também pode encontrar esta hiperligação no final da documentação sob a forma de código QR.

Originalne upute za uporabu

1 Podaci o dokumentaciji

1.1 Uz ovu dokumentaciju

- Prije početka rada pročitajte ovu dokumentaciju. To je preduvjet za siguran rad i neometano rukovanje.
- Pridržavajte se sigurnosnih napomena i upozoravajućih naputaka u ovoj dokumentaciji i na proizvodu.
- Ove upute za uporabu uvijek čuvajte u blizini proizvoda i prosljedite ga drugim osobama samo zajedno s uputama za uporabu.

1.2 Objašnjenje znakova

1.2.1 Upozoravajući naputci

Upozoravajući naputci upozoravaju na opasnost prilikom rukovanja proizvodom. Koriste se sljedeće signalne riječi:

OPASNOST

OPASNOST !

- ▶ Znači moguću neposrednu opasnu situaciju, koja može prouzročiti tjelesne ozljede ili smrt.

UPOZORENJE

UPOZORENJE !

- ▶ Ova riječ skreće pozornost na moguću opasnu situaciju koja može uzrokovati teške tjelesne ozljede ili smrt.



⚠ OPREZ

OPREZ !

- ▶ Ova riječ skreće pozornost na moguću opasnu situaciju koja može uzrokovati tjelesne ozljede ili materijalnu štetu.

1.2.2 Simboli u uputama za uporabu

U ovim uputama za uporabu koriste se sljedeći simboli:

| | |
|--|--|
| | Pridržavajte se uputa za uporabu |
| | Napomene o primjeni i druge korisne informacije |
| | Rukovanje materijalima koji se mogu ponovno preraditi |
| | Električne uređaje i akumulatorske baterije ne bacajte u kućni otpad |
| | Hilti Litij-ionska akumulatorska baterija |
| | Hilti Punjač |

1.2.3 Simboli na slikama

Koriste se sljedeći simboli na slikama:

| | |
|---|---|
| | Ovi brojevi odnose se na određene slike na početku ovih uputa za uporabu. |
| 3 | Numeriranjem na slikama se navodi redoslijed radnih koraka i može odstupati od radnih koraka u tekstu. |
| | Brojevi položaja koriste se na slici Pregled i odnose se na brojeve legende u odlomku Pregled proizvoda . |
| | Ovaj znak upućuje da trebate biti posebno pažljivi prilikom rukovanja proizvodom. |

1.3 Simboli ovisno o proizvodu

1.3.1 Simboli na proizvodu

Mogu se koristiti sljedeći simboli na proizvodu:

| | |
|--------|---|
| | Opći znakovi obveze |
| | Nosite zaštitne naočale |
| | Nosite zaštitne slušalice |
| | Nosite zaštitnu kacigu |
| | Proizvod podržava NFC tehnologiju koja je kompatibilna s iOS i Android platformama. |
| Li-Ion | Litij-ionska akumulatorska baterija |
| | Akumulatorsku bateriju nikada ne koristite kao udarni alat. |
| | Ne dopustite da akumulatorska baterija padne. Nikada nemojte koristiti akumulatorsku bateriju koja je udarena ili na neki drugi način oštećena. |

1.4 Informacije o proizvodu

proizvodi su namijenjeni profesionalnom korisniku i smije ih posluživati, održavati i servisirati samo ovlašteno kvalificirano osoblje. To osoblje mora biti posebno podučeno o mogućim opasnostima.



Proizvod i njemu pripadajuća pomoćna sredstva mogu biti opasna ako ih nepropisno i neispravno upotrebljava neosposobljeno osoblje.

Oznaka tipa i serijski broj navedeni su na označnoj pločici.

- ▶ Prepišite serijski broj u sljedeću tablicu. Podaci o proizvodu potrebni su vam prilikom kontaktiranja našeg zastupništva ili servisa.

Podaci o proizvodu

| | |
|-------------------------|----------------------------------|
| Stroj za pričvršćivanje | BX 3-22 BX 3-L-22 BX 3-ME-22 |
| Generacija | 03 |
| Serijski br. | |

1.5 Izjava o sukladnosti

Proizvođač pod vlastitom odgovornošću izjavljuje da je ovdje opisani proizvod sukladan s važećim zakonodavstvom i normama. Sliku izjave o sukladnosti naći ćete na kraju ove dokumentacije.

Tehnička dokumentacija kod:

Hilti Entwicklungsgesellschaft mbH | Zulassung Geräte | Hiltistraße 6 | 86916 Kaufering, DE

2 Sigurnost

2.1 Opće sigurnosne napomene za električne alate

⚠ UPOZORENJE Pročitajte sve sigurnosne napomene, naputke, slike i tehničke podatke kojima je opremljen ovaj električni alat. Propusti u pridržavanju sljedećih naputaka mogu dovesti do električnog udara, požara i/ili teških ozljeda.

Molimo sačuvajte sve sigurnosne napomene i upute za ubuduće.

Pojam "električni alat" korišten u sigurnosnim napomenama odnosi se na električne alate s napajanjem iz električne mreže (s mrežnim vodom) i na električne alate na akumulatorski pogon (bez mrežnog voda).

Sigurnost na radnom mjestu

- ▶ **Područje rada održavajte čistim i osvijetljenim.** Nered i neosvijetljeno područje rada mogu dovesti do nezgoda.
- ▶ **S električnim alatom ne radite u okolini ugroženoj eksplozijom u kojoj se nalaze zapaljive tekućine, plinovi ili prašine.** Električni alati proizvode iskre koje mogu zapaliti prašinu ili pare.
- ▶ **Djecu i ostale osobe tijekom korištenja električnog alata udaljite iz područja rada.** Ako niste usredotočeni na rad, mogli biste izgubiti kontrolu nad uređajem.

Električna sigurnost

- ▶ **Priključni utikač električnog alata mora odgovarati utičnici. Na utikaču se ni u kojem slučaju ne smiju izvoditi izmjene. Ne koristite adapterske utikače zajedno sa zaštitno uzemljenim električnim alatima.** Nepromijenjeni utikači i odgovarajuće utičnice smanjuju opasnost od električnog udara.
- ▶ **Izbjegavajte dodir tijela s uzemljenim površinama kao što su cijevi, radijatori, štednjaci i hladnjaci.** Postoji povećana opasnost od električnog udara ako je vaše tijelo uzemljeno.
- ▶ **Električni alat držite dalje od kiše ili vlage.** Prodiranje vode u električni alat povećava opasnost od električnog udara.
- ▶ **Priključni vod ne upotrebljavajte za nošenje ili vješanje električnog alata odnosno za izvlačenje utikača iz utičnice. Priključni vod držite dalje od izvora topline, ulja, oštih rubova ili pokretljivih dijelova.** Oštećeni ili zapleteni priključni vodovi povećavaju opasnost od električnog udara.
- ▶ **Ako s električnim alatom radite na otvorenom, upotrebljavajte samo produžne kabele odobrene za uporabu na otvorenom.** Primjena produžnog kabela prikladnog za uporabu na otvorenom smanjuje opasnost od električnog udara.
- ▶ **Ako ne možete izbjeći rad električnog alata u vlažnom okruženju, koristite zaštitnu strujnu sklopku.** Uporaba zaštitne strujne sklopke smanjuje opasnost od električnog udara.

Sigurnost ljudi

- ▶ **Budite oprezni, pazite što činite i kod rada s električnim alatom postupajte razumno. Električni alat ne koristite ako ste umorni ili pod utjecajem opojnih sredstava, alkohola ili lijekova.** Trenutak nepažnje prilikom uporabe električnog alata može dovesti do ozbiljnih tjelesnih ozljeda.
- ▶ **Nosite zaštitnu opremu i uvijek nosite zaštitne naočale.** Nošenje zaštitne opreme, kao što su zaštitna maska, protuklizne zaštitne cipele, zaštitna kaciga ili zaštitne slušalice, ovisno o vrsti i primjeni električnog alata, smanjuje opasnost od ozljeda.
- ▶ **Izbjegavajte nehotično stavljanje u pogon. Uvjerite se da je električni alat isključen prije nego što ga priključite na napajanje strujom i/ili akumulatorsku bateriju, ili ga primite ili nosite.** Ako



kod nošenja električnog alata prst držite na prekidaču ili ako je uređaj uključen i priključen na električnu mrežu, to može dovesti do nezgoda.

- ▶ **Prije nego što uključite električni alat, uklonite alate za podešavanje ili vijčane ključeve.** Alat ili ključ, koji se nalazi u rotirajućem dijelu uređaja, može uzrokovati nezgode.
- ▶ **Izbjegavajte nenormalan položaj tijela. Zauzmite siguran i stabilan položaj tijela i u svakom trenutku održavajte ravnotežu.** Na taj način možete električni alat bolje kontrolirati u neočekivanim situacijama.
- ▶ **Nosite prikladnu odjeću. Ne nosite široku odjeću ili nakit. Neka vaša kosa, odjeća i rukavice budu što dalje od pomičnih dijelova.** Široku odjeću, nakit ili dugu kosu mogu zahvatiti pomični dijelovi.
- ▶ **Ako se mogu montirati uređaji za usisavanje i skupljanje prašine, provjerite jesu li isti priključeni i rabe li se pravilno.** Uporaba usisavača može smanjiti opasnost.
- ▶ **Nemojte se uljuljati u lažnu sigurnost i obratite pozornost na sigurnosna pravila za električne alate iako ste nakon česte uporabe upoznati s električnim alatom.** Nepažljivo rukovanje može u djeliću sekunde uzrokovati teške tjelesne ozljede.

Uporaba i rukovanje električnim alatom

- ▶ **Ne preopterećujte uređaj. Za vaše radove koristite za to predviđen električni alat.** S odgovarajućim električnim alatom radit ćete bolje i sigurnije u navedenom području snage.
- ▶ **Ne upotrebljavajte električni alat s neispravnim prekidačem.** Električni alat, koji se više ne može uključiti ili isključiti, opasan je i treba se popraviti.
- ▶ **Izvcite utikač iz utičnice i/ili izvadite akumulatorsku bateriju iz uređaja prije namještanja uređaja, zamjene dijelova pribora ili odlaganja uređaja.** Ovim mjerama opreza spriječit će se nehotično pokretanje električnog alata.
- ▶ **Električne alate, koji se ne koriste, spremite izvan dosega djece. Nemojte dopustiti da uređaj koriste osobe koje s njim nisu upoznate ili koje nisu pročitale upute za uporabu.** Električni alati su opasni ako ih koriste neiskusne osobe.
- ▶ **Pažljivo održavajte električne alate i pribor. Kontrolirajte rade li pokretljivi dijelovi besprijekorno i nisu li zaglavljani, te jesu li dijelovi polomljeni ili tako oštećeni da negativno djeluju na funkciju električnog alata. Oštećene dijelove popravite prije uporabe uređaja.** Mnoge nezgode uzrokovane su lošim održavanjem električnih alata.
- ▶ **Rezne alate održavajte oštrim i čistim.** Brižljivo održavani rezni alati s oštrim reznim rubovima neće se zaglaviti i lakši su za vođenje.
- ▶ **Koristite električni alat, pribor, nastavke itd. sukladno ovim uputama. Pritom uzmite u obzir radne uvjete i izvođene radove.** Uporaba električnih alata za neke druge primjene različite od predviđenih može dovesti do opasnih situacija.
- ▶ **Ručke i rukohvate držite suhim, čistim i bez ostataka ulja i masti.** Skliske ručke i rukohvati ne omogućuju sigurno rukovanje i kontrolu električnog alata u nepredviđenim situacijama.

Uporaba i rukovanje akumulatorskim alatom

- ▶ **Akumulatorske baterije punite samo u punjačima koje preporučuje proizvođač.** Kod punjača, koji je prikladan za određenu vrstu akumulatorskih baterija, postoji opasnost od požara ako se upotrebljava s drugim akumulatorskim baterijama.
- ▶ **U električnim alatima upotrebljavajte samo za to predviđene akumulatorske baterije.** Uporaba neke druge akumulatorske baterije može dovesti do ozljeda i opasnosti od požara.
- ▶ **Nekorištenu akumulatorsku bateriju držite dalje od uredskih spajalica, kovanica, ključeva, čavala, vijaka ili drugih sitnih metalnih predmeta koji bi mogli uzrokovati premošćenje kontakata.** Kratki spoj između akumulatorskih kontakata može dovesti do opekline ili do požara.
- ▶ **Kod pogrešne uporabe može iz akumulatorske baterije iscuriti tekućina. Izbjegavajte doticaj s ovom tekućinom. Kod slučajnog doticaja odmah isperite s vodom. Ako tekućina dođe u dodir s očima, odmah zatražite liječničku pomoć.** Tekućina, koja curi iz akumulatorske baterije, može dovesti do nadražaja kože ili opekline.
- ▶ **Ne upotrebljavajte oštećenu ili izmijenjenu akumulatorsku bateriju.** Oštećene ili izmijenjene akumulatorske baterije mogu se nepredvidivo ponašati i dovesti do požara, eksplozije ili opasnosti od ozljede.
- ▶ **Akumulatorsku bateriju ne izlažite vatri ili previsokim temperaturama.** Vatra ili temperature iznad 130 °C (265 °F) mogu izazvati eksploziju.
- ▶ **Pridržavajte se svih uputa za punjenje i nikada ne punite akumulatorsku bateriju ili akumulatorski alat izvan raspona temperature navedenog u uputama za uporabu.** Pogrešno punjenje ili punjenje izvan dopuštenog raspona temperature može uništiti akumulatorsku bateriju ili povećati opasnost od požara.

Servisiranje

- ▶ **Popravak električnog alata prepustite samo kvalificiranom stručnom osoblju i samo s originalnim rezervnim dijelovima.** Na taj način će se postići održavanje sigurnosti uređaja.



- ▶ **Nikada ne održavajte oštećene akumulatorske baterije** Održavanje akumulatorskih baterija smije provoditi samo proizvođač ili ovlašteni servisi.

2.2 Sigurnosne napomene za strojeve za pričvršćivanje

- ▶ **Uvijek podite od toga da se čavli nalaze u električnom alatu.** Nepažljivo rukovanje strojem za pričvršćivanje može dovesti do neočekivanog izbacivanja čavala te Vas mogu ozlijediti.
- ▶ **Električni alat ne usmjeravajte prema sebi ili drugim osobama u blizini.** Uslijed neočekivanog aktiviranja čavao se izbacuje što može dovesti do ozljeda.
- ▶ **Električni alat nemojte aktivirati prije nego što ste ga čvrsto postavili na izradak.** Ako električni alat nema kontakt s izratkom, čavao se može odbiti od mjesta za pričvršćenje.
- ▶ **Električni alat odvojite od strujne mreže ili akumulatorske baterije ako se čavao zaglavi u električnom alatu.** Ako je stroj za pričvršćivanje uključen, može se nehotice aktivirati prilikom uklanjanja čavla s čvrstim dosjedom.
- ▶ **Budite oprezni prilikom uklanjanja čavla s čvrstim dosjedom.** Sustav može biti zategnut i moguće je snažno izbacivanje čavla dok pokušavate ukloniti zaglavljenje.
- ▶ **Prilikom pričvršćivanja električnih vodova provjerite da ne dovode električni napon. Stroj za pričvršćivanje držite samo za izolirane prihvatne površine. Upotrebljavajte samo čavle koji su prikladni za instaliranje električnih vodova. Provjerite da čavao nije oštetio izolaciju električnog voda.** Čavao, koji ošteti izolaciju električnih vodova, može dovesti do električnog udara i opasnosti od požara.

2.3 Sigurnosne napomene

Zahtjevi za korisnika

- ▶ Ovim proizvodom smijete rukovati ili ga održavati ako ste za to ovlašteni i u to upućeni.

Osobna zaštitna oprema

- ▶ Tijekom uporabe stroja nosite odgovarajuće zaštitne naočale, zaštitne slušalice i zaštitnu kacigu. Isto vrijedi i za osobe u Vašoj blizini.

Sigurnost ljudi

- ▶ Pridržavajte se podataka o radu, čišćenju i održavanju u uputi za uporabu.
- ▶ Budite pažljivi, pazite što činite i kod rada sa strojem za pričvršćivanje postupajte razumno. Proizvod ne koristite ako ste umorni ili pod utjecajem opojnih sredstava, alkohola ili lijekova. Prekinite s radom ukoliko osjetite bolove ili se ne osjećate dobro. Trenutak nepažnje kod uporabe stroja za pričvršćivanje može dovesti do ozbiljnih tjelesnih ozljeda.
- ▶ Izbjegavajte nenormalan položaj tijela. Zauzmite siguran i stabilan položaj tijela i u svakom trenutku održavajte ravnotežu.
- ▶ Nosite protukliznu obuću.
- ▶ Vodilicu za svornjake ili pričvršne elemente nikada ne povlačite rukom.
 - ▶ Povlačenjem vodilice za svornjake ili pričvršnog elementa rukom proizvod bi se mogao aktivirati ovisno o okolnostima. Tijekom pripreme za rad može doći do zabijanja u dijelove tijela.
- ▶ Pri uporabi proizvoda ruke držite savijene (ne ispružene).
- ▶ Za vrijeme rada sa strojem udaljite druge osobe, a posebice djecu od područja rada.
- ▶ Opasnost od ozljede uslijed pada alata i/ili pribora. Prije početka rada provjerite da su akumulatorska baterija i montiran pribor sigurno pričvršćeni.
- ▶ Proraze za prozračivanje uvijek držite slobodnim. Opasnost od opekina zbog prekrivenih proraza za prozračivanje!
- ▶ Ne gledajte izravno u osvjetljenje (LED) i ne osvjetljujte druge osobe u lice. Postoji opasnost od zaslepljenja.

Pažljivo rukovanje i uporaba strojeva za pričvršćivanje

- ▶ Opasnost uslijed probijajućih pričvršnih elemenata! Prije zabijanja pričvršnih elemenata uvjerite se da se nitko ne zadržava iza ili ispod građevnog dijela u koji se zabija pričvršni element.
- ▶ Koristite pravi proizvod za svoj rad. Proizvod ne upotrebljavajte u svrhu za koju nije namijenjen nego samo u skladu s propisima i u besprijekornom stanju.
- ▶ Napunjeni proizvod nikada ne ostavljajte bez nadzora.
- ▶ Uvijek ispraznite proizvod prije radova na čišćenju, servisiranju i održavanju, kod zamjene vodilice za svornjake, kod prekida rada te pri skladištenju (pričvršni element).
- ▶ Proizvode, koji nisu u uporabi, ispraznite i čuvajte na suhom i zaključanom mjestu izvan dohvata djece.



- ▶ Provjerite ima li eventualnih oštećenja na proizvodu i priboru. Provjerite rade li pokretni dijelovi besprijekorno i nisu li zaglavljani odnosno oštećeni.
 - ▶ Svi dijelovi moraju biti pravilno montirani i ispunjavati sve uvjete kako bi se osigurao besprijekoran rad proizvoda. Oštećene dijelove mora stručno popraviti ili zamijeniti **Hilti** servis ukoliko u uputi za uporabu nije navedeno drugačije.
- ▶ Prije početka rada provjerite ima li u području rada sakrivenih električnih vodova, plinskih i vodovodnih cijevi. Vanjski metalni dijelovi proizvoda mogu uzrokovati električni udar ili eksploziju ako ste oštetili električni vod, plinsku ili vodovodnu cijev.
- ▶ Pričvršne elemente ne zabijajte u neprikladan materijal podloge.
 - ▶ Neprikladni materijali su zavareni čelik i lijevani čelik, lijevano željezo, staklo, mramor, plastika, bronca, mjed, bakar, izolacijski materijal, šuplja opeka, keramička opeka, tanki limovi (< 4 mm) i plinbeton. Zabijanje u ove materijale može prouzročiti pucanje elementa, odvajanje ili probijanje.
- ▶ Aktivirajte okidač samo ako je proizvod pritisnut okomito na podlogu.
- ▶ Proizvod držite kod zabijanja uvijek pod pravim kutom s podlogom kako bi se spriječio skretanje pričvrstnog elementa s materijala podloge.
- ▶ Rukohvati moraju biti suhi, čisti, bez ostataka ulja i masti.
- ▶ Ne dopustite da proizvod padne.
- ▶ Spremnik ne upotrebljavajte kao rukohvat.
- ▶ Proizvod ne koristite na mjestima na kojima postoji opasnost od požara ili od eksplozije, osim ako za to nema specijalno odobrenje.
- ▶ Elemente ne zabijajte u postojeće rupe osim ako to preporučuje **Hilti** (npr. DX-Kwik).

Mehaničke sigurnosne mjere

- ▶ Ne izvodite manipulacije ili preinake na proizvodu ili priboru, posebice na klipu.
- ▶ Upotrebljavajte samo pričvršne elemente koji su određeni i dopušteni za primjenu s proizvodom.

Termičke sigurnosne mjere

- ▶ Ne prekoračujte preporučenu maksimalnu frekvenciju zabijanja.
- ▶ Ako je proizvod pregrijan, pustite da se ohladi.
- ▶ Proizvod ne rastavljajte ako je vruć. Ostavite proizvod da se ohladi.

2.4 Pažljivo rukovanje i uporaba akumulatorskih baterija

- ▶ **Pridržavajte se sljedećih sigurnosnih napomena za sigurno rukovanje i uporabu litij-ionskih akumulatorskih baterija.** Nepridržavanje može dovesti do nadražaja kože, teških korozivnih ozljeda, kemijskih opekline, požara i / ili eksplozija.
- ▶ Akumulatorske baterije koristite samo ako su u tehnički besprijekornom stanju.
- ▶ Pažljivo rukujte akumulatorskim baterijama kako biste izbjegli oštećenja i istjecanje tekućina koje su jako opasne za zdravlje!
- ▶ Ne smiju se vršiti promjene ili preinake akumulatorskih baterija.
- ▶ Akumulatorske baterije se ne smiju rastavljati, gnječiti, zagrijavati iznad 80°C (176°F) ili spaljivati.
- ▶ Nikada nemojte koristiti niti puniti akumulatorske baterije koje su udarene ili na neki drugi način oštećene. Redovito provjerite ima li znakova oštećenja na vašim akumulatorskim baterijama.
- ▶ Nikada nemojte koristiti reciklirane ili popravljene akumulatorske baterije.
- ▶ Akumulatorsku bateriju ili električni alat na akumulatorski pogon nikada ne rabite kao udarni alat.
- ▶ Akumulatorske baterije nikada ne izlažite izravnom sunčevom zračenju, povišenoj temperaturi, iskrenju ili otvorenom plamenu. To može dovesti do eksplozija.
- ▶ Polove baterije ne dodirujte prstima, alatom, nakitom ili drugim električno vodljivim predmetima. To može oštetiti akumulatorsku bateriju te uzrokovati materijalne štete i ozljede.
- ▶ Akumulatorske baterije držite dalje od kiše, vlage i tekućina. Prodiranje vlage može prouzročiti kratak spoj, električni udar, opekline, požar i eksplozije.
- ▶ Upotrebljavajte samo punjače i električne alate predviđene za ovaj tip akumulatorske baterije. Pridržavajte se podataka u odgovarajućim uputama za uporabu.
- ▶ Akumulatorsku bateriju ne upotrebljavajte i ne čuvajte u okolini ugroženoj eksplozijom.

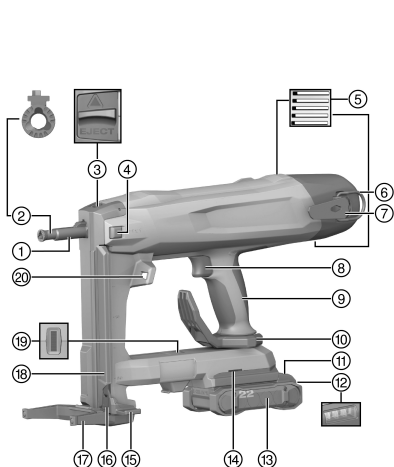


- ▶ Ako je akumulatorska baterija toliko vruća da je ne možete primiti rukom, onda je moguće da je u kvaru. Stavite akumulatorsku bateriju na vidljivo, nezapaljivo mjesto dovoljno udaljeno od zapaljivih materijala. Ostavite akumulatorsku bateriju da se ohladi. Ako je nakon jednog sata akumulatorska baterija još uvijek vruća da je ne možete primiti rukom, onda je u kvaru. Obratite se **Hilti** servisu ili pročitatite dokument „Napomene za sigurnost i primjenu **Hilti** litij-ionskih akumulatorskih baterija“.

i Poštujte posebne smjernice za transport, skladištenje i uporabu litij-ionskih akumulatorskih baterija. Pročitajte napomene za sigurnost i primjenu **Hilti** litij-ionskih akumulatorskih baterija koje ćete naći na kraju ovih uputa za uporabu skeniranjem QR koda.

3 Opis

3.1 Pregled proizvoda



- ① Nos stroja
- ② Vodilica za svornjake
- ③ Blokada vodilice za svornjake
- ④ Prekidač za pojedinačno zabijanje (BX 3-ME-22)
- ⑤ Prorezi za prozračivanje
- ⑥ Ušica za pridržnu traku za alat
- ⑦ Pojasna kuka
- ⑧ Sigurnosni otkopac
- ⑨ Rukohvat
- ⑩ Pojasna kuka/nosiva kuka
- ⑪ Tipka za deblokadu akumulatorske baterije
- ⑫ Statusni prikaz akumulatorske baterije
- ⑬ Litij-ionska akumulatorska baterija
- ⑭ Otvor za montažu pribora
- ⑮ Potisnik čavala
- ⑯ Deblokada potisnika čavala
- ⑰ Potporna noga
- ⑱ Spremnik
- ⑲ Statusni prikaz stroja za pričvršćivanje
- ⑳ Osvjetljenje područja rada

3.1.1 Oprema

Vodilica za svornjake i potporna noga ovise o proizvodu. U sljedećoj tablici je prikazana potporna noga i vodilica za svornjake kojom je opremljen proizvod.

Dodatne informacije pronaći ćete u poklopcu kovčega, vašoj **Hilti Store** ili na www.hilti.group.

| Proizvod | BX 3-22 | BX 3-L-22 | BX 3-ME-22 |
|-----------------------|---------------|---------------|---------------|
| Vodilica za svornjake | X-FG B3 IF 02 | X-FG B3 IF 02 | X-FG B3 ME |
| Potporna noga | X-SL B3 03 | X-SL B3 03 | X-SL B3 ME 03 |

3.2 Namjenska uporaba

Proizvod je ručno vođeni akumulatorski stroj za pričvršćivanje. Namijenjen je za zabijanje posebno proizvedenih pričvršćivih elemenata u beton, čelik, zidove, pješćanik i ostale podloge prikladne za direktnu montažu. Proizvod je namijenjen također za pričvršćivanje električnih vodova spojnicama ako se za to upotrebljavaju odgovarajući pričvršćivni elementi. Koristite samo dopuštene pričvršćivne elemente zajedno sa za to određenom vodilicom za svornjake (vidi poglavlje "Tehnički podaci").

Stroj za pričvršćivanje, akumulatorska baterija i pričvršćivni elementi čine tehničku cjelinu. To znači da se pričvršćivanje ovim strojem za pričvršćivanje može bez poteškoća osigurati samo ako se upotrebljavaju specijalno za to proizvedeni **Hilti** pričvršćivni elementi i punjači i akumulatorske baterije koje je preporučio **Hilti**. Samo u slučaju pridržavanja ovih uvjeta vrijede navedene preporuke za pričvršćivanje i primjenu tvrtke **Hilti**.

- ▶ Stroj za pričvršćivanje je namijenjen samo za ručnu uporabu.



- Potrebno je isključiti pogrešne primjene. Pod pogrešnom primjenom se smatra zabijanje u jako mekanu podlogu (npr. drvo) i zabijanje u pretvrdu podlogu (npr. jako čvrsti čelik ili jaki tvrdi prirodni kamen).
- Za ovaj proizvod koristite samo **Hilti** Nuron litij-ionske akumulatorske baterije tipa B 22. Za optimalnu snagu **Hilti** preporučuje za ovaj proizvod akumulatorske baterije navedene u tablici na kraju ovih uputa za uporabu.
- Za ove akumulatorske baterije upotrebljavajte samo **Hilti** punjače tipa navedenog u tablici na kraju ovih uputa za uporabu.

3.3 Sigurnosni uređaji

U načinu radu sa spremnikom prepoznavanje čavala treba spriječiti pogrešno zabijanje koje može uzrokovati oštećenja na stroju za pričvršćivanje.

Potisni osigurač treba spriječiti slobodno zabijanje čavala. Stroj za pričvršćivanje možete pritisnuti i aktivirati u načinu radu sa spremnikom samo s umetnutim čavlom.

3.4 Karakteristike opreme

Stroj za pričvršćivanje je opremljen ergonomskim, protukluznim rukohvatom s prigušenjem vibracija, pojasnom i nosivom kukom te potpornom nogom. Stroj za pričvršćivanje se elektronskom zaštitom od preopterećenja štiti od preopterećenja, a nadzorom temperature od pregrijavanja.

3.5 Statusni prikaz stroja za pričvršćivanje

Statusni prikaz stroja za pričvršćivanje daje informaciju o stanjima stroja za pričvršćivanje.

| Stanje | Značenje |
|---|---|
| LED dioda je isključena | Stroj za pričvršćivanje je isključen |
| LED dioda svijetli zeleno. | Stroj za pričvršćivanje je uključen i spreman za zabijanje |
| LED dioda treperi zeleno. | Akumulatorska baterija prevruća ili preslaba |
| LED dioda treperi svake 3 sekunde zeleno. | Stroj za pričvršćivanje je u stanju pripravnosti, pritiskanje nosa stroja uključuje stroj za pričvršćivanje |
| LED dioda svijetli plavo. | Stroj za pričvršćivanje je uključen, trake s čavlima treba napuniti |
| LED dioda treperi plavo. | Stroj za pričvršćivanje je uključen, spremnik je potpuno prazan |
| LED dioda treperi žuto. | Stroj za pričvršćivanje je prevruć, vidi tablicu smetnji |
| LED dioda treperi crveno. | Smetnja na stroju, vidi tablicu smetnji |
| LED dioda svijetli crveno. | Smetnja na stroju, vidi tablicu smetnji |

3.6 Indikatori litij-ionske akumulatorske baterije

Hilti Nuron litij-ionske akumulatorske baterije mogu prikazati stanje napunjenosti, poruke pogreške i stanje akumulatorske baterije.

3.6.1 Indikatori stanja napunjenosti i poruke pogreške

UPOZORENJE

Opasnost od ozljede uslijed pada akumulatorske baterije!

- Kada je umetnuta akumulatorska baterija i nakon pritiska na tipku za deblokadu pazite da ponovno ispravno uglavite akumulatorsku bateriju u korišteni proizvod.

Kratko pritisnite tipku za deblokadu akumulatorske baterije kako bi se pojavio jedan od sljedećih indikatora. Stanje napunjenosti i moguće smetnje također se stalno prikazuju dok je priključen proizvod uključen.

| Stanje | Značenje |
|---|------------------------------------|
| Četiri (4) LED diode stalno svijetle zeleno | Stanje napunjenosti: 100 % do 71 % |
| Tri (3) LED diode stalno svijetle zeleno | Stanje napunjenosti: 70 % do 51 % |
| Dvije (2) LED diode stalno svijetle zeleno | Stanje napunjenosti: 50 % do 26 % |



| Stanje | Značenje |
|--|---|
| Jedna (1) LED dioda stalno svijetli zeleno | Stanje napunjenosti: 25 % do 10 % |
| Jedna (1) LED dioda sporo treperi zeleno | Stanje napunjenosti: < 10 % |
| Jedna (1) LED dioda brzo treperi zeleno | Litij-ionska akumulatorska baterija je potpuno ispražnjena. Napunite akumulatorsku bateriju. Ako LED dioda nakon punjenja akumulatorske baterije još uvijek brzo treperi, obratite se Hilti servisu. |
| Jedna (1) LED dioda brzo treperi žuto | Litij-ionska akumulatorska baterija ili s njom povezan proizvod su preopterećeni, prevrući, prehladni ili postoji neka druga pogreška. Proizvod i akumulatorsku bateriju dovedite na preporučenu radnu temperaturu i ne preopterećujte proizvod tijekom uporabe. Ako se poruka i dalje prikazuje, obratite se Hilti servisu. |
| Jedna (1) LED dioda svijetli žuto | Litij-ionska akumulatorska baterija i s njom povezan proizvod nisu kompatibilni. Obratite se Hilti servisu. |
| Jedna (1) LED dioda brzo treperi crveno | Litij-ionska akumulatorska baterija je blokirana i ne može se dalje koristiti. Obratite se Hilti servisu. |

3.6.2 Indikatori stanja akumulatorske baterije

Za pozivanje stanja akumulatorske baterije pritisnite i držite pritisnutu tipku za deblokadu dulje od tri sekunde. Sustav ne prepoznaje moguću neispravnost baterije zbog zlouporabe, npr. ispadanja, uboda, vanjskih oštećenja uzrokovanih vrućinom itd.

| Stanje | Značenje |
|--|---|
| Sve LED diode svijetle uzastopno i zatim jedna (1) LED dioda stalno svijetli zeleno. | Akumulatorska baterija može se dalje upotrebljavati. |
| Sve LED diode svijetle uzastopno i zatim jedna (1) LED dioda brzo treperi žuto. | Očitavanje stanje akumulatorske baterije ne može se isključiti. Ponovite postupak ili se obratite Hilti servisu. |
| Sve LED diode svijetle uzastopno i zatim jedna (1) LED dioda stalno svijetli crveno. | Ako se priključeni proizvod može dalje upotrebljavati, preostali kapacitet akumulatorske baterije je ispod 50 %. Ako se priključeni proizvod ne može više upotrebljavati, akumulatorska baterija je na kraju svog životnog vijeka i treba je zamijeniti. Obratite se Hilti servisu. |

3.7 Bluetooth® (opcionally)

Bluetooth® slovni znak i logotipovi su registrirane trgovačke marke i vlasništvo Bluetooth SIG, Inc. Trgovačko društvo **Hilti** ima licenciju za korištenje ovog slovnog znaka/logotipa.

3.7.1 Namjenska uporaba

Ovaj proizvod je opremljen modulom Bluetooth® Low Energy Module koji omogućuje provjeru stanja električnog alata i prijenos postavki i podataka na temelju Bluetooth® bežične tehnologije, bežični prijenos podataka putem dva proizvoda s funkcijom Bluetooth koji mogu međusobno komunicirati na kratkoj udaljenosti. Ovaj proizvod je razvijen kako bi se omogućila komunikacija i prijenos podataka s mobilnim telefonima i **Hilti** pristupnicima. Proizvod može slati podatkovne značajke npr. lokaciju prijemnog krajnjeg uređaja, vrijeme rada, ukupan broj primjena, broj primjena tijekom intervala i vremenske oznake prijensa. Informacije o funkcijama Connectivity koje se nude možete dobiti u odgovarajućoj **Hilti** aplikaciji ili u uputama za uporabu korištenog električnog alata.

3.7.2 Prijenos podataka putem funkcije Bluetooth®

Interval slanja može se razlikovati ovisno o dostupnom izvoru energije proizvoda. Domet može jako varirati ovisno o vanjskim uvjetima, uključujući onaj korištenog prijemnog uređaja. U zatvorenim prostorijama i zbog



metalnih prepreka (npr. zidovi, police, kovčezi itd.) domet Bluetooth® može biti znatni manji. Ovisno o okruženju može biti potrebno nekoliko intervala slanja prije prepoznavanja električnog alata.

Ako se električni alat ne prepozna, provjerite sljedeće:

Je li udaljenost do mobilnog krajnjeg uređaja prevelika?

→ Smanjite razmak između mobilnog krajnjeg uređaja i električnog alata

3.7.3 Instalacija i postavljanje aplikacije

Kako biste mogli upotrebljavati funkcije Connectivity, najprije trebate instalirati odgovarajuću **Hilti** aplikaciju.

(1.) Preuzmite aplikaciju u odgovarajućoj trgovini aplikacija.



Potreban je korisnički račun u odgovarajućoj trgovini aplikacija.

(2.) Nakon što prvi put pokrenete aplikaciju, prijavite se sa svojim računom ili se registrirajte.

(3.) Na zaslonu vašeg mobilnog krajnjeg uređaja prikazuju se svi daljnji koraci za povezivanje električnog alata s mobilnim krajnjim uređajem.



Najprije prodite kroz vodič aplikacije u potpunosti. Tako ćete dobiti bolji pregled postupka povezivanja i uporabe funkcija Connectivity.

3.8 Zaštita od dubinskog pražnjenja

Proizvod ima način dubokog mirovanja radi zaštite litij-ionske akumulatorske baterije od dubinskog pražnjenja. Time se sprječava da se akumulatorska baterija isprazni do kraja.

- Zaštita od dubinskog pražnjenja aktivira se nakon 360 minuta.
- Kako biste deaktivirali zaštitu od dubinskog pražnjenja, izvadite akumulatorsku bateriju i ponovno je umetnite.

3.9 Sadržaj isporuke

Stroj za pričvršćivanje, upute za uporabu.

Ostale proizvode sustava dopuštene za Vaš proizvod naći ćete u Vašoj **Hilti Store** ili na: www.hilti.group

4 Tehnički podaci

| | BX 3-22 | BX 3-L-22 | BX 3-ME-22 |
|---|----------------------------|----------------------------|----------------------------|
| Težina prema EPTA Procedure 01 bez akumulatorske baterije | 3,5 kg | 3,5 kg | 3,4 kg |
| Duljina čavla u spremniku | 14 mm ... 30 mm | 14 mm ... 36 mm | 14 mm ... 24 mm |
| Duljina čavla kod pojedinačnog zabijanja | •/• | •/• | 30 mm ... 36 mm |
| Promjer čavla | 3 mm | 2,75 mm ... 3,0 mm | 3 mm |
| Kapacitet spremnika | 30 čavala | 30 čavala | 20 čavala |
| Potisak | 12 mm | 12 mm | 12 mm |
| Sila pritiska | 50 N ... 70 N | 50 N ... 70 N | 50 N ... 70 N |
| Preporučena maksimalna frekvencija zabijanja na temperaturi prostorije | 700/h | 700/h | 700/h |
| Dimenzionirani napon | 21,6 V | 21,6 V | 21,6 V |
| Maksimalno emitirana snaga odašiljanja Bluetooth® | 8 dBm | 8 dBm | 8 dBm |
| Bluetooth frekvijsko područje | 2.402 MHz ... 2.480 MHz | 2.402 MHz ... 2.480 MHz | 2.402 MHz ... 2.480 MHz |



| | BX 3-22 | BX 3-L-22 | BX 3-ME-22 |
|-----------------------------|------------------|------------------|------------------|
| Temperatura skladištenja | -20 °C ... 70 °C | -20 °C ... 70 °C | -20 °C ... 70 °C |
| Okolna temperatura pri radu | -17 °C ... 60 °C | -17 °C ... 60 °C | -17 °C ... 60 °C |

4.1 Akumulatorska baterija

| | |
|--|-------------------------------------|
| Radni napon akumulatorske baterije | 21,6 V |
| Težina akumulatorske baterije | Vidi na kraju ovih uputa za uporabu |
| Okolna temperatura pri radu | -17 °C ... 60 °C |
| Temperatura skladištenja | -20 °C ... 40 °C |
| Temperatura akumulatorske baterije na početku punjenja | -10 °C ... 45 °C |

4.2 Informacije o buci i vrijednosti vibracije sukladno EN 62841

Razina zvučnog tlaka i razina titranja koje su navedene u ovim uputama, izmjerene su skladno normiranom postupku mjerenja te se mogu koristiti za međusobnu usporedbu električnih alata. Primjerene su i za privremenu procjenu ekspozicija.

Navedeni podaci predstavljaju glavne primjene električnog alata. Ako se električni alat inače koristi za druge primjene s nastavcima, koji se razlikuju ili nisu dovoljno dobro održavani, podaci se mogu razlikovati. To može znatno povećati ekspozicije tijekom cjelokupnog radnog vijeka.

Za točnu procjenu ekspozicija trebaju se uzeti u obzir i vremena, tijekom kojih je uređaj bio isključen ili je radio, ali se zapravo nije koristio. To može znatno smanjiti ekspozicije tijekom cjelokupnog radnog vijeka.

Odredite dodatne sigurnosne mjere za zaštitu korisnika prije djelovanja zvuka i/ili titranja kao npr: Održavanje električnog alata i nastavaka, održavanje toplih ruku, organizacija tokova rada.

Informacije o buci

| | | BX 3-22 | BX 3-L-22 | BX 3-ME-22 |
|---|-------|---------|-----------|------------|
| Tipična razina emisije zvučne snage prema ocjeni A (kod zabijanja čavala) (L_{WA}) | Beton | 96 dB | 96 dB | 96 dB |
| | Čelik | 100 dB | 100 dB | 100 dB |
| Tipična razina emisije zvučnog tlaka prema ocjeni A (kod zabijanja čavala) (L_{pA}) | Beton | 85 dB | 85 dB | 85 dB |
| | Čelik | 89 dB | 89 dB | 89 dB |
| Nesigurnost za navedenu razinu zvuka (K_{WA} , K_{pA}) | | 3 dB | 3 dB | 3 dB |

Jednoaksijalne ukupne vrijednosti vibracije (u z-smjeru)

| | | BX 3-22 | BX 3-L-22 | BX 3-ME-22 |
|--|-------|----------------------|----------------------|----------------------|
| Vrijednost emisije vibracije (kod zabijanja čavala) s akumulatorskom baterijom B22 55 (a_{h1}) | Beton | 2,5 m/s ² | 2,5 m/s ² | 2,5 m/s ² |
| | Čelik | 3,3 m/s ² | 3,3 m/s ² | 3,3 m/s ² |
| Vrijednost emisije vibracije (kod zabijanja čavala) s akumulatorskom baterijom B22 85 (a_{h1}) | Beton | 2,9 m/s ² | 2,9 m/s ² | 2,9 m/s ² |
| | Čelik | 3,5 m/s ² | 3,5 m/s ² | 3,5 m/s ² |
| Nesigurnost (K) | | 1,5 m/s ² | 1,5 m/s ² | 1,5 m/s ² |

5 Priprema rada

UPOZORENJE

Opasnost od ozljede zbog nehotičnog pokretanja!

- ▶ Prije umetanja akumulatorske baterije provjerite je li pripadajući proizvod isključen.
- ▶ Izvadite akumulatorsku bateriju prije namještanja uređaja ili zamjene dijelova pribora.

Pridržavajte se sigurnosnih napomena i upozoravajućih naputaka u ovoj dokumentaciji i na proizvodu.



5.1 Punjenje akumulatorske baterije

1. Prije punjenja pročitajte uputu za uporabu punjača.
2. Pazite da su kontakti akumulatorske baterije i punjača čisti i suhi.
3. Akumulatorsku bateriju puniti u odobrenom punjaču. → stranica 77

5.2 Umetanje akumulatorske baterije

UPOZORENJE

Opasnost od ozljede uslijed kratkog spoja ili pada akumulatorske baterije!

- ▶ Prije nego što stavite akumulatorsku bateriju u uređaj, provjerite ima li stranih tijela na kontaktima akumulatorske baterije i kontaktima proizvoda.
 - ▶ Provjerite da je akumulatorska baterija uvijek ispravno uglavljena.
1. Akumulatorsku bateriju u potpunosti napunite prije prvog stavljanja u pogon.
 2. Umetnite akumulatorsku bateriju u proizvod sve dok čujno ne uskoči u ležište.
 3. Provjerite siguran dosjed akumulatorske baterije.

5.3 Vađenje akumulatorske baterije

1. Pritisnite tipku za deblokadu akumulatorske baterije.
2. Izvucite akumulatorsku bateriju iz proizvoda.

5.4 Skidanje vodilice za svornjake

1. Potisnik čavala povlačite prema dolje dok ne uskoči u ležište.
2. Ispraznite spremnik. → stranica 85
3. Pomaknite blokadu vodilice za svornjake u smjeru strelice do graničnika.
 - ▶ Vodilica za svornjake je deblokirana.
4. Izvadite vodilicu za svornjake.

5.5 Umetanje vodilice za svornjake

1. Potisnik čavala povlačite prema dolje dok ne uskoči u ležište.
2. Ispraznite spremnik. → stranica 85
3. Pomaknite blokadu vodilice za svornjake u smjeru strelice do graničnika i držite je u tom položaju.
4. Pomičite vodilicu za svornjake u nos stroja sve dok čujno ne uskoči u ležište.
5. Otpustite blokadu vodilice za svornjake.
 - ▶ Blokada vodilice za svornjake će uskočiti u srednji položaj.
6. Povucite vodilicu za svornjake kako biste provjerili njezin siguran dosjed.

5.6 Siguran rad s pojasnom i nosivom kukom


- ▶ Prije početka rada uvjerite se je pojasna/nosiva kuka sigurno pričvršćena na proizvodu.
- ▶ Pojasnu/nosivu kuku koristite samo dok je potrebna. Sigurno odložite proizvod ako ga dulje vrijeme ne koristite.

5.7 Osigurač od pada

UPOZORENJE

Opasnost od ozljede zbog pada alata i/ili pribora!

- ▶ Upotrebljavajte samo preporučenu **Hilti** pridržnu traku za alat za svoj proizvod.
- ▶ Prije svake uporabe provjerite je li možda oštećena točka za pričvršćivanje pridržne trake za alat.
- ▶ Nemojte pričvrstiti pridržnu traku za alat na pojasnu kuku. Ne upotrebljavajte pojasnu kuku za podizanje proizvoda.

 Pridržavajte se nacionalnih smjernica za rad na visini.

Kao osigurač od pada za ovaj proizvod upotrebljavajte samo **Hilti** pridržnu traku za alat #2261970.



- ▶ Pričvrstite pridržnu traku za alat s karabinerom na proizvod kako je prikazano na slici. Provjerite siguran prihvat kuke karabinera.
- ▶ Pričvrstite drugu kuku karabinera na nosivu strukturu. Provjerite siguran prihvat kuke karabinera.



Pridržavajte se uputa za uporabu **Hilti** pridržne trake za alat.

5.8 Punjenje za način rada sa spremnikom

OPREZ

Opasnost od prignječenja! Pomicanje potisnika čavala unatrag može dovesti do ozljeda i uzrokovati oštećenja na stroju za pričvršćivanje.

- ▶ Prilikom povlačenja potisnika čavala prema dolje pazite da sigurno uskoči u ležište. Nemojte dopustiti pomicanje potisnika čavala unatrag.

1. Potisnik čavala povlačite prema dolje dok ne uskoči u ležište.
2. Trake s čavlima uvedite u spremnik (maksimalno 3 trake po 10 čavala).
3. Čvrsto držite potisnik čavala i pritisnite deblokadu potisnika čavala.
4. Vodite potisnik čavala unatrag sve dok ne dodirne čavao.

5.9 Punjenje za način rada pojedinačno zabijanje

BX 3-ME-22

OPREZ

Opasnost od prignječenja! Pomicanje potisnika čavala unatrag može dovesti do ozljeda i uzrokovati oštećenja na stroju za pričvršćivanje.

- ▶ Prilikom povlačenja potisnika čavala prema dolje pazite da sigurno uskoči u ležište. Nemojte dopustiti pomicanje potisnika čavala unatrag.

1. Potisnik čavala povlačite prema dolje dok ne uskoči u ležište.
2. Izvadite trake s čavlima iz spremnika i uvjerite se da je spremnik prazan.



Stroj za pričvršćivanje se može oštetiti ako prije zabijanja u načinu rada pojedinačno zabijanje niste izvadili sve čavle iz spremnika.

3. Čvrsto držite potisnik čavala i pritisnite deblokadu potisnika čavala.
4. Vodite potisnik čavala unatrag.
5. Stavite čavao u za to predviđenu udubinu u vodilici za svornjake. Opcionalno možete dodatno nataknuti dopušteni pričvrtni element na vodilicu za svornjake.



Zabijanje više od jednog čavla u vodilicu za svornjake može uzrokovati oštećenja na stroju za pričvršćivanje. Vodilicu za svornjake napunite samo najviše jednim čavlom u načinu rada pojedinačno zabijanje.

6. Pritisnite prekidač za pojedinačno zabijanje.
 - ▶ Prekidač za pojedinačno zabijanje će čujno uskočiti u ležište.



Ako se potisnik čavala povuče nekoliko centimetara prema dolje, ponovno će se otpustiti prekidač za pojedinačno zabijanje.

6 Rukovanje

Pridržavajte se sigurnosnih napomena i upozoravajućih naputaka u ovoj dokumentaciji i na proizvodu.

6.1 Uporaba potporne noge

Potporna noga na ravnoj podlozi olakšava postavljanje stroja za pričvršćivanje pod pravim kutom jer je potrebno paziti na pozicioniranje pod pravim kutom samo u bočnom smjeru. Na neravnoj podlozi će možda biti potrebno zaklopiti potpornu nogu kako bi stroj za pričvršćivanje bio pod pravim kutom s podlogom.

6.1.1 Zaklapanje potporne noge

1. Pritisnite potpornu nogu kako biste je otpustili iz njezinog položaja.



2268213

Hrvatski

83

2. Zakrenite potpornu nogu natrag.

6.1.2 Otklapanje potporne noge

OPREZ

Opasnost od prignječenja! Prilikom preklapanja potporne noge postoji opasnost od prignječenja prstiju između potporne noge i kućišta.

▶ Stroj za pričvršćivanje držite za rukohvat prilikom preklapanja potporne noge.

1. Zakrenite potpornu nogu prema naprijed.
2. Odozdo pritisnite potpornu nogu kako biste je uglavili u otklopljenom položaju.

6.2 Isključivanje Bluetootha (opcionalno)

- ▶ Pritisnite stroj za pričvršćivanje u trajanju od 10 sekundi na podlogu.
 - ▶ Nakon 6 sekundi može se čuti popuštanje opružnog elementa (stroj za pričvršćivanje držite pritisnut još 4 sekunde).
 - ▶ Statusni prikaz zatreperi plavo 3 puta.
 - ▶ Zvuk motora javlja se 3 puta.
 - ▶ Prijenos podataka više nije moguć.



Kada se zadržavate u osjetljivoj okruženju (npr. bolnica) gdje nije dozvoljen Bluetooth, možete ga deaktivirati.

Kako biste ponovno uključili Bluetooth, izvadite akumulatorsku bateriju i ponovno je umetnite.

6.3 Uključivanje/isključivanje stroja za pričvršćivanje

6.3.1 Uključivanje stroja za pričvršćivanje

UPOZORENJE

Opasnost od ozljede! Pritiskanje stroja za pričvršćivanje o neki dio tijela može uzrokovati teške ozljede nehotičnim aktiviranjem zabijanja.

▶ **Nikada nemojte pritisnuti stroj za pričvršćivanje o svoju ruku ili neki drugi dio tijela.**

1. Napunite spremnik za način rada sa spremnikom. → stranica 83
2. Umetnite akumulatorsku bateriju. → stranica 82
 - ▶ Statusni prikaz sporo treperi zeleno.



U slučaju rada sa smanjenom snagom akumulatorske baterije stroj za pričvršćivanje će se isključiti prije nego što dođe do oštećenja čelija akumulatorske baterije.

3. Pritisnite stroj za pričvršćivanje o prikladnu podlogu kako biste ga uključili.
 - ▶ Stroj za pričvršćivanje se zateže.
 - ▶ Statusni prikaz svijetli zeleno.

6.3.2 Isključivanje stroja za pričvršćivanje

- ▶ Izvadite akumulatorsku bateriju. → stranica 82
 - ▶ Može se čuti popuštanje opružnog elementa, a statusni prikaz se ugasi.



Nakon 6 minuta stroj za pričvršćivanje proizvodi zvuk motora koji ukazuje da će se stroj za pričvršćivanje odmah isključiti. Nakon toga se stroj za pričvršćivanje automatski isključuje.

6.4 Izvođenje zabijanja

UPOZORENJE

Opasnost od ozljede uslijed probijajućih pričvršnih elemenata!

- ▶ Prije zabijanja pričvršnih elemenata uvjerite se da se nitko ne zadržava iza ili ispod građevnog dijela u koji se zabija pričvršni element.



UPOZORENJE

Opasnost od ozljede uslijed letećih dijelova! Za vrijeme postupka zabijanja materijal odlomljen od podloge i izbačeni dijelovi trake s čavlima mogu uzrokovati ozljede na tijelu i ozljede oka.

- ▶ **Nosite zaštitnu opremu i uvijek nosite zaštitne naočale i zaštitne rukavice.** Čak i druge osobe u okolini moraju nositi zaštitne naočale i zaštitnu kacigu.

UPOZORENJE

Opasnost od ozljede! Pritiskanje stroja za pričvršćivanje o neki dio tijela može uzrokovati teške ozljede nehotičnim aktiviranjem zabijanja.

- ▶ **Nikada nemojte pritisnuti stroj za pričvršćivanje o svoju ruku ili neki drugi dio tijela.**

1. Prije početka rada za probu stavite 2 pričvršna elementa na svoju podlogu.
2. Stroj za pričvršćivanje postavite pod pravim kutom na podlogu i pritisnite vodilicu za svornjake do kraja.
 - ▶ Stroj za pričvršćivanje se uključuje.
3. Pritiskom sigurnosnog otkopca aktivirajte zabijanje.
4. Stroj za pričvršćivanje nakon zabijanja u potpunosti dignite s podloge.



Ako vodilicu za svornjake pritišćete dulje od 6 sekundi na podlozi bez zabijanja, a da se ne aktivira zabijanje, stroj za pričvršćivanje automatski prelazi u stanje pripravnosti. Ponovnim stavljanjem nosa stroja na podlogu ponovno se puni stroj za pričvršćivanje.

6.5 Vađenje čavala u načinu rada sa spremnikom

1. Potisnik čavala povlačite prema dolje dok ne uskoči u ležište.
2. Istisnite čavle prema dolje iz spremnika.
3. Čvrsto držite potisnik čavala i pritisnite deblokadu potisnika čavala.
4. Vodite potisnik čavala u početni položaj.

6.6 Otpuštanje zaglavljeno čavla

UPOZORENJE

Opasnost od ozljede i oštećenje stroja za pričvršćivanje. Uporaba neprimjerenih predmeta umjesto preporučenog originalnog pribora **Hilti** može dovesti do ozljeda i oštećenja stroja za pričvršćivanje.

- ▶ Za otpuštenje zaglavljeno čavla upotrijebite isključivo preporučeni komplet izbijača.

UPOZORENJE

Opasnost od ozljede uslijed letećih dijelova! Zabijanje može uzrokovati ozljede uslijed letećih dijelova ako se strana tijela nalaze u području vodilice za svornjake ili ako su pričvršni elementi zaglavljeni u vodilici za svornjake.

- ▶ Nikada ne pokušavajte ukloniti smetnje na stroju za pričvršćivanje aktiviranjem zabijanja!



Pojedini čavli se mogu zaglaviti u vodilici za svornjake. Pomoću kompleta izbijača X-NP možete ukloniti zaglavljene čavle iz vodilice za svornjake. Pribor ćete pronaći u vašoj **Hilti** trgovini ili online na www.hilti.group.

1. Izvadite vodilicu za svornjake (vidi → stranica 82).
2. Vodilicu za svornjake utaknite u prihvatnu čahuru kompleta izbijača.
3. Zaglavljeni čavao izbijte pomoću izbijača i čekića iz vodilice za svornjake.
4. Umetnite vodilicu za svornjake (vidi → stranica 82).

7 Čišćenje i održavanje

UPOZORENJE

Opasnost od ozljede kod umetnute akumulatorske baterije !

- ▶ Prije svih radova čišćenja i održavanja uvijek izvadite akumulatorsku bateriju!



Čišćenje proizvoda

- Oprezno uklonite čvrsto prljanajuću prljavštinu.
- Proreze za prozračivanje pažljivo očistite suhom, mekom četkom ako postoje.
- Kućičte čistite samo lagano navlaženom krpom. Ne upotrebljavajte silikonska sredstva za čišćenje jer mogu nagristi plastične dijelove.
- Upotrebljavajte čistu, suhu krpu kako biste očistili kontakte proizvoda.

Održavanje litij-ionske akumulatorske baterije

- Nikada ne koristite akumulatorsku bateriju ukoliko su začepljeni prorezi za prozračivanje. Proreze za prozračivanje pažljivo očistite suhom, mekom četkom.
- Izbjegavajte nepotrebno izlaganje akumulatorske baterije prašini ili prljavštini. Nikada nemojte izlagati akumulatorsku bateriju velikoj vlazi (npr. uroniti u vodu ili ostaviti na kiši). Ako je akumulatorska baterija smočena, onda s njom rukujte kao s oštećenom akumulatorskom baterijom. Izolirajte je u nezapaljivom spremniku i obratite se **Hilti** servisu.
- Akumulatorska baterija mora biti bez ostataka ulja i masti. Nemojte dopustiti nepotrebno nakupljanje prašine ili prljavštine na akumulatorskoj bateriji. Akumulatorsku bateriju očistite suhom, mekom četkom ili čistom, suhom krpom. Ne upotrebljavajte silikonska sredstva za čišćenje jer mogu nagristi plastične dijelove.
Ne dodirujte kontakte akumulatorske baterije i ne uklanjajte tvornički nanесenu mast s kontakata.
- Kućičte čistite samo lagano navlaženom krpom. Ne upotrebljavajte silikonska sredstva za čišćenje jer mogu nagristi plastične dijelove.

Održavanje

- Redovito provjeravajte je li na svim vidljivim dijelovima došlo do oštećenja i funkcioniraju li besprijekorno svi upravljački elementi.
- U slučaju oštećenja i/ili smetnji u radu ne radite s proizvodom. Proizvod odmah odnesite na popravak u **Hilti** servis.
- Nakon čišćenja i održavanja postavite sve zaštitne uređaje i provjerite funkcioniraju li besprijekorno.



Za siguran rad koristite samo originalne rezervne dijelove i potrošni materijal. Rezervne dijelove, potrošni materijal i dodatni pribor, koji je odobrila tvrtka **Hilti** za vaš proizvod, pronaći ćete u vašoj **Hilti Store** ili na: www.hilti.group

7.1 Čišćenje unutarnje strane nosa stroja

1. Skinite vodilicu za svornjake. → stranica 82
2. Očistite unutarnju stranu nosa stroja.
3. Umetnite vodilicu za svornjake. → stranica 82

8 Transport i skladištenje akumulatorskih alata i akumulatorskih baterija

Transport



OPREZ

Nehotično pokretanje prilikom transporta !

- ▶ Svoje proizvode uvijek transportirajte bez umetnutih akumulatorskih baterija!
- ▶ Izvadite akumulatorske baterije.
- ▶ Uvijek transportirajte i skladištite stroj u zaštićenom kovčegu.
- ▶ Akumulatorske baterije nikada ne transportirajte u rasutom stanju. Za vrijeme transporta treba zaštititi akumulatorske baterije od prejakog udara i vibracija te ih izolirati od svih vodljivih materijala ili drugih akumulatorskih baterija kako ne bi došle u dodir s polovima drugih baterija i prouzročile kratak spoj.
Pošaljite lokalne propise o transportu akumulatorskih baterija.
- ▶ Akumulatorske baterije ne smiju se slati poštom. Obratite se otpremničkoj tvrtki ako želite slati neoštećene akumulatorske baterije.
- ▶ Prije svake uporabe i nakon dužeg transporta provjerite jesu li proizvod i akumulatorske baterije oštećeni.

Skladištenje



UPOZORENJE

Nehotično oštećenje zbog neispravnih akumulatorskih baterija ili onih koje cure. !

- ▶ Svoje proizvode uvijek skladištite bez umetnutih akumulatorskih baterija!



- ▶ Proizvod i akumulatorske baterije čuvajte na hladnom i suhom mjestu. Pridržavajte se graničnih vrijednosti temperature koje su navedene u poglavlju Tehnički podaci.
- ▶ Akumulatorske baterije ne čuvajte u punjaču. Uvijek izvadite akumulatorsku bateriju iz punjača nakon punjenja.
- ▶ Akumulatorske baterije ne čuvajte na suncu, na izvorima topline ili iza stakla.
- ▶ Proizvod i akumulatorske baterije čuvajte na mjestu koje je nedostupno djeci i neovlaštenim osobama.
- ▶ Prije svake uporabe i nakon dužeg skladištenja provjerite jesu li proizvod i akumulatorske baterije oštećeni.

9 Pomoć u slučaju smetnji

Ako nije drugačije navedeno, svi opisani svjetlosni signali odnose se na statusni prikaz stroja za pričvršćivanje. Kod svih smetnji pazite na indikator stanja napunjenosti i pogrešaka akumulatorske baterije. Vidi poglavlje **Indikatori litij-ionske akumulatorske baterije**.

U slučaju smetnji, koje nisu navedene u ovoj tablici ili koje ne možete sami ukloniti, obratite se našem **Hilti** servisu.

| Smetnja | Mogući uzrok | Rješenje |
|---|--|--|
| Statusni prikaz treperi zeleno. | Akumulatorska baterija je prazna. | ▶ Zamijenite akumulatorsku bateriju. |
| Opružni element nije zategnut, statusni prikaz treperi zeleno. | Akumulatorska baterija je prazna. | ▶ Zamijenite akumulatorsku bateriju. |
| Nije moguće pritisnuti vodilicu za svornjake i statusni prikaz svijetli plavo . | Spremnik je prazan. | ▶ Napunite spremnik za način rada sa spremnikom. → stranica 83 |
| Nije moguće pritisnuti vodilicu za svornjake i statusni prikaz svijetli zeleno . | Potisnik čavala zaglavljen. | ▶ Izvadite traku s čavlama iz spremnika i očistite spremnik. |
| | Čavao zaglavljen u vodilici za svornjake. | ▶ Otpustite zaglavljeni čavao. → stranica 85 |
| Opružni element se sporo zateže, statusni prikaz treperi plavo, istovremeno se javlja zvučni signal; zatim statusni prikaz svijetli plavo 6 minuta. | Spremnik je prazan. | ▶ Napunite spremnik za način rada sa spremnikom. → stranica 83 |
| Opružni element nije zategnut i statusni prikaz treperi žuto. | Previsoka temperatura u stroju za pričvršćivanje. | ▶ Ostavite stroj za pričvršćivanje da se ohladi. |
| | Temperatura akumulatorske baterije je previsoka. | ▶ Ostavite akumulatorsku bateriju da se ohladi. |
| | Temperatura akumulatorske baterije preniska. | ▶ Polako zagrijavajte akumulatorsku bateriju na sobnu temperaturu. |
| Opružni element nije zategnut i statusni prikaz treperi crveno. | Vodilica za svornjake nije ispravno umetnuta. | ▶ Umetnite vodilicu za svornjake. → stranica 82 |
| Opružni element nije zategnut i statusni prikaz svijetli crveno. | Kvar stroja. | ▶ Obratite se Hilti servisu. |
| Opružni element nije zategnut; nema statusnog prikaza. | Akumulatorska baterija je prazna. | ▶ Zamijenite akumulatorsku bateriju. |
| | Akumulatorska baterija nije ispravno umetnuta. | ▶ Izvadite akumulatorsku bateriju i ispravno je umetnite. → stranica 82 |
| | Zaštita od dubinskog pražnjenja je aktivirana. | ▶ Izvadite akumulatorsku bateriju i ponovno je umetnite. |
| Vodilica za svornjake zaglavljena u pritisnutom stanju. | Priljavština između vodilice za svornjake i nosa stroja. | ▶ Očistite unutarnju stranu nosa stroja. → stranica 86 |




10 Zbrinjavanje otpada

UPOZORENJE

Opasnost od ozljede uslijed nestručnog zbrinjavanja! Opasnosti po zdravlje uslijed istjecanja plinova ili tekućina.

- ▶ Nemojte slati oštećene akumulatorske baterije!
- ▶ Nemojte prekriti priključke nevodljivim materijalom kako biste izbjegli kratki spoj.
- ▶ Akumulatorske baterije zbrinite na način da ne mogu dospjeti djeci u ruke.
- ▶ Zbrinite akumulatorsku bateriju u vašoj **Hilti Store** ili se obratite nadležnoj tvrtki za zbrinjavanje otpada.

 **Hilti** proizvodi su većim dijelom izrađeni od materijala koji se mogu ponovno preraditi. Pretpostavka za to je njihovo stručno razvrstavanje. U mnogim zemljama **Hilti** preuzima vaš stari uređaj na recikliranje. Raspitajte se u **Hilti** servisnoj službi ili kod vašeg prodajnog savjetnika.



- ▶ Električne alate, elektroničke uređaje i akumulatorske baterije ne bacajte u kućni otpad!

11 Jamstvo proizvođača

- ▶ Ukoliko imate pitanja glede jamstvenih uvjeta, obratite se svojem lokalnom **Hilti** partneru.

12 Dodatne informacije

Dodatne informacije o rukovanju, tehnici, okolišu i recikliranju pronaći ćete na sljedećoj poveznici: qr.hilti.com/manual?id=2268212&id=2268213

Tu poveznicu naći ćete na kraju ove dokumentacije u obliku QR koda.

Originalno uputstvo za upotrebu

1 Podaci o dokumentaciji

1.1 O ovoj dokumentaciji

- Pročitajte ovu dokumentaciju pre početka rada. To predstavlja preduslov za bezbedan rad i nesmetano rukovanje.
- Obratite pažnju na bezbednosne i upozoravajuće napomene koje se nalaze u ovoj dokumentaciji i na proizvodu.
- Uputstvo za rukovanje uvek čuvajte na proizvodu i samo ga sa ovim uputstvom prosledjite dalje drugim osobama.

1.2 Legenda

1.2.1 Upozoravajuće napomene

Upozoravajuće napomene upozoravaju na opasnosti pri rukovanju proizvodom. Koriste se sledeće signalne reči:

OPASNOST

OPASNOST !

- ▶ Znači neposrednu opasnu situaciju, koja može prouzrokovati telesne povrede ili smrt.

UPOZORENJE

UPOZORENJE !

- ▶ Ova reč skrece pažnju na moguću opasnost koja može prouzrokovati tešku telesnu povredu ili smrt.

OPREZ

OPREZ !

- ▶ Za moguću opasnu situaciju koja može da dovede do telesnih povreda ili do materijalne štete.



1.2.2 Simboli u uputstvu za upotrebu

Sljedeći simboli se koriste u ovom uputstvu za upotrebu:

| | |
|--|---|
| | Poštovanje uputstva za upotrebu |
| | Napomene o primeni i druge korisne informacije |
| | Rad sa reciklažnim materijalima |
| | Električne uređaje i baterije ne odlažite u kućni otpad |
| | Hilti Li-Ion akumulatorska baterija |
| | Hilti Punjač |

1.2.3 Simboli na slikama

Sljedeći simboli se koriste na slikama:

| | |
|--|--|
| | Ovi brojevi se odnose na odgovarajuću sliku sa početka ovog uputstva za upotrebu. |
| | Numerisanje reflektuje redosled radnih koraka na slici i može da odstupa od radnih koraka u tekstu. |
| | Pozicioni brojevi se koriste na slici Pregled i odnose se na brojeve legende u poglavlju Pregled proizvoda . |
| | Ovaj znak bi trebalo da vas podstakne na poseban oprez prilikom rada sa proizvodom. |

1.3 Simboli u zavisnosti od proizvoda

1.3.1 Simboli na proizvodu

Sljedeći simboli mogu da se koriste na proizvodu:

| | |
|--|---|
| | Opšti obavezujući znaci |
| | Korišćenje zaštitnih naočara |
| | Nosite zaštitu za uši |
| | Nosite zaštitni šlem |
| | Proizvod podržava NFC tehnologije, koje su kompatibilne sa iOS i Android platformama. |
| | Litijum-jonska akumulatorska baterija |
| | Nikada ne koristite akumulatorsku bateriju kao alat za udaranje. |
| | Ne dozvolite da padne akumulatorska baterija. Ne koristite akumulatorsku bateriju koja je pretrpela udar ili je oštećena na neki drugi način. |

1.4 Informacije o proizvodu

Proizvodi su namenjeni za profesionalnog korisnika, a njima sme da rukuje, da ih održava ili popravlja samo ovlašćeno, upućeno osoblje. To osoblje mora biti posebno upoznato sa mogućim opasnostima. Proizvod i njegova pomoćna sredstva mogu da budu opasni ako ih neobučena lica nestručno tretiraju ili ako se ne koriste namenski.

Oznaka tipa i serijski broj su navedeni na tipskoj pločici.



- Prenesite serijski broj u sledeću tabelu. Podaci o proizvodu će vam biti potrebni kada budete kontaktirali naše predstavništvo ili servis.

Podaci o proizvodu

| | |
|-----------------------|----------------------------------|
| Pištolj za ukucavanje | BX 3-22 BX 3-L-22 BX 3-ME-22 |
| Generacija | 03 |
| Serijski br. | |

1.5 Izjava o usklađenosti

Pod vlastitom odgovornošću proizvođač izjavljuje da je ovde opisani proizvod u skladu sa važećim zakonskim propisima i normama. Primerak izjave o usklađenosti nalazi se na kraju ove dokumentacije.

Tehnička dokumentacija se čuva ovde:

Hilti Društvo za razvoj doo | Dozvola za uređaje | Hiltistraße 6 | 86916 Kaufering, DE

2 Sigurnost

2.1 Opšte sigurnosne napomene za električne alate

⚠ UPOZORENJE Pročitajte pažljivo sigurnosne napomene, uputstva, pregledajte slike i pročitajte tehničke podatke, koje idu uz ovaj električni alat. Greške kod pridržavanja sledećih sigurnosnih napomena i uputstava mogu dovesti do električnog udara, požara i/ili teških povreda.

Molimo sačuvajte sve sigurnosne napomene i uputstva za ubuduće.

Pojam "električni alat" korišćen u sigurnosnim napomenama odnosi se na električne alate sa napajanjem iz električne mreže (sa mrežnim kablom) i na električne alate sa pogonom na akumulatoru (bez mrežnog kabla).

Sigurnost na radnom mestu

- **Područje rada održavajte čistim i osvetljenim.** Nered i neosvetljeno radno područje mogu dovesti do nezgoda.
- **Sa električnim alatom ne radite u okolini ugroženoj eksplozijom, u kojoj se nalaze zapaljive tečnosti, gasovi ili prašine.** Električni alati proizvode iskre koje mogu zapaliti prašinu ili isparenja.
- **Decu i ostale osobe tokom korišćenja električnog alata udaljite iz područja rada.** Ako biste skrenuli pažnju sa posla mogli biste izgubiti kontrolu nad uređajem.

Električna sigurnost

- **Priključni utikač električnog alata treba da odgovara utičnici. Na utikaču se ni u kom slučaju ne smeju izvoditi izmene. Ne koristite adapterske utikače zajedno sa zaštitno uzemljenim električnim alatima.** Nepromenjeni utikači i odgovarajuće utičnice smanjuju opasnost od električnog udara.
- **Izbegavajte dodir tela sa uzemljenim površinama kao što su cevi, radijatori, šporeti i frižideri.** Postoji povećana opasnost od električnog udara ako je vaše telo uzemljeno.
- **Električni alat držite dalje od kiše ili vlage.** Prodiranje vode u električni alat povećava opasnost od električnog udara.
- **Kabl ne upotrebljavajte za nošenje ili vešanje električnog alata odnosno za izvlačenje utikača iz utičnice. Kabl držite dalje od izvora toplote, ulja, oštrih ivica ili pokretnih delova.** Oštećeni ili zapleteni kablovi povećavaju opasnost od električnog udara.
- **Ako sa električnim alatom radite na otvorenom prostoru, upotrebljavajte samo produžne kablove odobrene za upotrebu na otvorenom prostoru.** Primena produžnog kabla prikladnog za upotrebu na otvorenom prostoru smanjuje opasnost od električnog udara.
- **Ako ne možete izbeći rad električnog alata u vlažnom okruženju, koristite zaštitnu strujnu sklopku.** Upotreba zaštitne strujne sklopke smanjuje opasnost od električnog udara.

Sigurnost ljudi

- **Budite oprezni, pazite šta činite i kod rada sa električnim alatom postupajte razumno. Nemojte koristiti električni alat, ako ste umorni ili ste pod uticajem droga, alkohola ili lekova.** Momenat nepažnje prilikom upotrebe električnog alata može da dovede do ozbiljnih povreda.
- **Nosite sredstva lične zaštite i uvek zaštitne naočare.** Nošenje sredstava lične zaštite, kao što su zaštitna maska, sigurnosne cipele koje ne klize, zaštitna kaciga ili štitnik za sluh, u zavisnosti od vrste i primene električnog alata, smanjuje opasnost od nezgoda.
- **Izbegavajte nehotično stavljanje u pogon. Uverite se, da je električni alat isključen, pre nego što priključite snabdevanje naponom i/ili akumulator, ili ga primite ili nosite.** Ako kod nošenja električnog alata prst držite na prekidaču ili ako je alat uključen i priključen na električnu mrežu, to može dovesti do nezgoda.



- ▶ **Pre nego što uključite električni alat, uklonite alate za podešavanje ili vijčane ključeve.** Alat ili ključ koji se nalazi u rotirajućem delu alata može dovesti do nezgoda.
- ▶ **Izbegavajte nenormalan položaj tela. Zauzmite siguran i stabilan položaj tela i u svakom trenutku održavajte ravnotežu.** Na taj način električni alat možete bolje kontrolisati u neočekivanim situacijama.
- ▶ **Nosite prikladnu odeću. Ne nosite široku odeću ili nakit. Neka vaša kosa, odeća i rukavice budu što dalje od pokretnih delova.** Opuštenu odeću, nakit ili dugu kosu mogu zahvatiti pokretni delovi alata.
- ▶ **Ako su montirani alati za usisavanje i hvatanje prašine, proverite jesu li isti priključeni i da li se pravilno koriste.** Upotreba usisivača može smanjiti opasnost.
- ▶ **Nikada nemojte da se osećate previše sigurnim i nikada nemojte da se ne pridržavate pravila u vezi rukovanja električnim alatom, iako ste nakon dužeg rada dobro upoznati sa radom sa električnom alatom.** Neodgovornim rukovanjem moguće je za samo nekoliko sekundi zadobiti teške povrede.

Upotreba i rukovanje električnim alatom

- ▶ **Ne preopterećujte alat. Za vrstu posla koji obavljate koristite za to predviđen električni alat.** Sa odgovarajućim električnim alatom radićete bolje i sigurnije, u navedenom području snage.
- ▶ **Ne upotrebljavajte električni alat sa neispravnim prekidačem.** Električni alat koji se više ne može uključiti ili isključiti, opasan je i treba ga popraviti.
- ▶ **Izvcite utikač iz utičnice i/ili izvadite akumulator koji se skida iz alata pre podešavanja alata, zamene delova pribora ili odlaganja alata.** Ovim merama opreza sprečićete nehotično pokretanje električnog alata.
- ▶ **Nekorišćene električne alate držite van domašaja dece. Ne dozvolite da alat koriste osobe koje sa njim nisu upoznate ili koje nisu pročitale ova uputstva.** Električni alati su opasni ako ih koriste neiskusne osobe.
- ▶ **Pažljivo održavajte električne alate i pribor. Uverite se da pokretljivi delovi električnog alata rade besprekorno i da nisu zaglavljani, polomljeni ili oštećeni tako da negativno utiču na funkcionisanje alata. Oštećene delove popravite pre upotrebe alata.** Uzrok mnogih nezgoda leži u loše održavanim električnim alatima.
- ▶ **Rezne alate održavajte ostrim i čistim.** Brižljivo održavani rezni alati sa ostrim sečivima neće se zaglaviti i lakši su za vođenje.
- ▶ **Koristite električni alat, pribor, alate za umetanje itd. u skladu sa ovim uputstvom. Kod toga uzmite u obzir radne uslove i izvođene radove.** Upotreba električnih alata za neke druge primene različite od predviđenih, može dovesti do opasnih situacija.
- ▶ **Rukohvati i površine za hvatanje moraju biti suve, čiste, bez ostataka ulja i masti.** Klizavi rukohvati i površine za hvatanje onemogućavaju sigurno rukovanje i kontrolu električnog alata u nepredvidivim situacijama.

Upotreba i rukovanje akumulatorskim alatom

- ▶ **Akumulatore punite samo u punjačima koje preporučuje proizvođač.** Kod punjača, koji je prikladan za određenu vrstu akumulatora, postoji opasnost od požara ako se koristi sa drugim akumulatorima.
- ▶ **Za električne alate upotrebljavajte samo za to predviđene akumulatore.** Upotreba nekog drugog akumulatora može dovesti do povreda i opasnosti od požara.
- ▶ **Nekorišćeni akumulator držite dalje od kancelarijskih spajalica, kovanica, ključeva, klinova, vijaka ili drugih sitnih metalnih predmeta koji bi mogli prouzrokovati premošćenje kontakata.** Kratak spoj između kontakata akumulatora može dovesti do opekotina ili do požara.
- ▶ **Kod neispravne primene može doći do curenja tečnosti iz akumulatora. Izbegavajte kontakt sa njom. U slučaju nehotičnog kontakta isperite vodom. Ako tečnost dospe u oči, dodatno potražite pomoć doktora.** Tečnost koja iscuri iz akumulatora, može dovesti do nadražaja kože ili opekotina.
- ▶ **Nemojte da koristite oštećene ili modifikovane akumulatore.** Oštećeni ili modifikovani akumulatori mogu biti veoma nepredvidljivi i da dovedu do nastanka požara, eksplozije i povređivanja.
- ▶ **Nemojte da izlažete akumulator vatri ili visokim temperaturama.** Vatra ili temperature iznad 130 °C (265 °F) mogu da dovedu do eksplozije.
- ▶ **Pridržavajte se svih uputstava u vezi punjenja i nikada nemojte da punite akumulator ili alat sa akumulatorom izvan temperaturnog opsega navedenog u uputstvu za upotrebu.** Pogrešno punjenje ili punjenje izvan dozvoljenog temperaturnog opsega može da uništi akumulator i da predstavlja opasnost od nastanka požara.

Servisiranje

- ▶ **Popravku električnog alata prepustite samo kvalifikovanom stručnom osoblju i samo sa originalnim rezervnim delovima.** Na taj način postići će se održavanje sigurnosti alata.
- ▶ **Nikada nemojte da održavate oštećene akumulatore.** Sva održavanja akumulator treba da obavlja proizvođač ili ovlašćeni servis za kupce.



2.2 Sigurnosne napomene za pištolj za ukucavanje

- ▶ **Podite uvek od činjenice da električni alat sadrži eksere.** Bezbržno rukovanje pištoljem za ukucavanje može da dovede do neočekivanog ispucavanja eksera i da Vas povredi.
- ▶ **Električni alat nemojte da usmeravate ka sebi ili ka nekom drugom licu u blizini.** Neočekivanim aktiviranjem ekser se izbacuje, što može da dovede do povreda.
- ▶ **Nemojte da aktivirate električni alat, pre nego što ga čvrsto ne postavite na radni komad.** Ako električni alat nema kontakt sa radnim komadom, ekser može da se odbije o mesto za pričvršćivanje.
- ▶ **Električni alat isključite sa mreže ili odvojite od akumulatorske baterije, ako se ekser zaglavi u električnom alatu.** Ako je pištolj za ukucavanje priključen, prilikom uklanjaња zaglavljenog eksera, može slučajno da se aktivira.
- ▶ **Prilikom uklanjanja zaglavljenog eksera budite oprezni.** Sistem može da bude pod naponom i može snažno da izbaci ekser, dok pokušavate da odstranite zaglavljeni ekser.
- ▶ **Prilikom pričvršćivanja električnih vodova uverite se da nisu pod električnim naponom. Pištolj za ukucavanje hvatajte samo za izolovanje površine drške. Upotrebljavajte samo takve eksere, koji su adekvatni za instalaciju električnih vodova. Proverite da ekser nije oštetiо izolaciju električnog voda.** Ekser, koji ošteti izolaciju električnog voda, može da dovede do električnog udara i opasnosti od požara.

2.3 Sigurnosne napomene

Zahtevi koje treba da ispunе korisnici

- ▶ Ovim proizvodom smete da rukujete i smete da ga održavate samo ako ste za to ovlašćeni i obučeni.

Lična zaštitna oprema

- ▶ Vi i osobe koje se nalaze u blizini treba prilikom upotrebe da nosite odgovarajuće zaštitne naočare, zaštitu za sluh i zaštitni šlem.

Bezbednost ljudi

- ▶ Pridržavajte se podataka o radu, nezi i održavanju u uputstvu za upotrebu.
- ▶ Budite oprezni, pazite šta činite i kod rada sa pištoljem za ukucavanje postupajte razumno. Proizvod nemojte da koristite ako ste umorni ili ste pod uticajem droga, alkohola ili lekova. Prestanite sa korišćenjem alata ako osetite bol ili ako se ne osećate dobro. Trenutak nepažnje kod upotrebe pištolja za ukucavanje može dovesti do ozbiljnih telesnih povreda.
- ▶ Ne zauzimajte neudoban položaj tela. Zauzmite siguran i stabilan položaj tela i u svakom trenutku održavajte ravnotežu.
- ▶ Nosite obuću koja se ne kliza.
- ▶ Vodicu vijka ili elemente za pričvršćivanje nikada ne vucite unazad rukom.
 - ▶ Usled povlačenja magacina, vodice vijka ili pričvrstnog elementa rukom, proizvod može u određenim uslovima postati pripravan za rad. Režim pripravnosti omogućava ukucavanje i u delove tela.
- ▶ Ruke držite blago savijenim prilikom rukovanja proizvodom (ne ispravljene).
- ▶ Prilikom rada udaljite druga lica, naročito decu, iz zone delovanja.
- ▶ Opasnost od povrede usled alata i/ili pribora koji padne. Pre početka rada proverite da li su akumulatorska baterija i montirani pribor sigurno pričvršćeni.
- ▶ Držite proreze za ventilaciju uvek slobodnim. Opasnost od opekotina zbog prekrivenih proreza za ventilaciju!
- ▶ Ne gledajte direktno u osvetljenje (LED) i ne usmeravajte ga drugim osobama u lice. Postoji opasnost od zaslepljenja.

Pažljivo rukovanje i upotreba pištolja za ukucavanje

- ▶ Opasnost od prisutnih pričvrstnih elemenata! Pre ukucavanje pričvrstnih elemenata uverite se da niko nije prisutan neposredno iza ili ispod građevinskog materijala, u koji se ukucava pričvrstni element.
- ▶ Koristite odgovarajući proizvod za rad. Nemojte koristiti proizvod u svrhe za koje nije predviđen, koristite ga samo u skladu sa odredbama i kada je u ispravnom stanju.
- ▶ Nikada nemojte ostavljati napunjen proizvod bez nadzora.
- ▶ Uvek ispraznite proizvod pre radova na čišćenju, servisiranju i održavanju, prilikom zamene vodice vijka, prilikom prekida rada, kao i prilikom odlaganja (pričvrstni element).
- ▶ Kada ne koristite proizvode, ispraznite ih i čuvajte na suvom i zatvorenom mestu, van dečjeg domašaja.



- ▶ Proverite da li proizvod i pribor eventualno imaju oštećenja. Proverite da li pokretni delovi ispravno funkcionišu bez zapinjanja i da li ima oštećenih delova.
 - ▶ Svi delovi se moraju pravilno montirati i moraju ispunjavati sve potrebne uslove za pravilan rad proizvoda. Oštećeni delovi moraju biti adekvatno popravljeni ili zamenjeni u **Hilti** servisu, osim ako nije drugačije naznačeno u uputstvu za upotrebu.
- ▶ Pre početka rada proverite da li u radnom prostoru postoje prekriveni električni kablovi ili cevi za gas ili vodu. Spoljašnji metalni delovi na proizvodu mogu da izazovu strujni udar ili eksploziju, ako oštete neki strujni kabl, cev za gas ili vodu.
- ▶ Nikada nemojte pokušavati da postavite elemente za pričvršćivanje u neodgovarajući materijal.
 - ▶ Neodgovarajući materijali su zavareni čelik i liveni čelik, liveno gvožđe, staklo, mermer, plastika, bronza, mesing, bakar, izolacioni materijal, šuplja cigla, keramička cigla, tanak lim (< 4 mm) i porozni beton. Ukucavanje u ove materijale može da prouzrokuje lom elementa, cepanje ili probijanje.
- ▶ Povucite okidač samo onda kada je proizvod potpuno oslonjen na radnu površinu pod pravim uglovima.
- ▶ Držite proizvod prilikom ukucavanja uvek pod pravim uglom u odnosu na podlogu, kako biste sprečili skretanje pričvrstnog elementa sa materijala podloge.
- ▶ Rukohvati moraju biti suvi, čisti, bez ostataka ulja i masti.
- ▶ Nikada nemojte pustiti proizvod da padne.
- ▶ Magacin nemojte da upotrebljavate kao dršku.
- ▶ Proizvod nemojte koristiti na mestima na kojima postoji opasnost od požara ili eksplozije, osim ako ne postoji posebna dozvola za to.
- ▶ Nikada nemojte postavljati elemente u već postojeće rupe, osim ako to ne preporučuje **Hilti** (npr. DX-Kwik).

Mehaničke bezbednosne mere

- ▶ Nemojte vršiti nedozvoljene radnje ili promene na proizvodu ili priboru, naročito na klipu.
- ▶ Koristite samo pričvrstne elemente koji su predviđeni i odobreni za proizvod.

Termičke bezbednosne mere

- ▶ Ne prekoračujte preporučenu maksimalnu frekvenciju ukucavanja.
- ▶ Ako proizvod se pregrejao, ostavite ga da se ohladi.
- ▶ Nemojte demontirati proizvod ako je vreo. Sačekajte da se proizvod ohladi.

2.4 Pažljivo rukovanje i upotreba akumulatorske baterije

- ▶ **Poštujte sledeće bezbednosne napomene za bezbedno rukovanje i korišćenje litijum-jonskih akumulatorskih baterija.** Nepridržavanje može dovesti do iritacije kože, teških povreda usled korozije, hemijskih opekotina, požara i / ili eksplozija.
- ▶ Akumulatorske baterije koristite isključivo dok su u tehnički besprekornom stanju.
- ▶ Pažljivo rukujte akumulatorskim baterijama, kako biste izbegli oštećenja i isticanje tečnosti koja je jako štetna po zdravlje!
- ▶ Nad akumulatorskim baterijama se ni u kom slučaju ne smeju vršiti izmene niti se njima sme manipulirati!
- ▶ Akumulatorska baterija se ne sme rastavljati, gnječiti, zagrevati iznad 80°C (176°F).
- ▶ Ne koristite ili ne puniti akumulatorske baterije, koje su pretrpele strujni udar ili su oštećene na neki drugi način. Redovno kontrolišite da li na vašim akumulatorskim baterijama ima oštećenja.
- ▶ Nikada ne koristite reciklirane ili popravljene akumulatorske baterije.
- ▶ Nikada ne koristite akumulatorsku bateriju ili električni alat sa akumulatorskim pogonom kao udarni alat.
- ▶ Nikada ne izlažite akumulatorske baterije direktnom sunčevom zračenju, povećanoj temperaturi, varnicama ili otvorenom plamenu. To može da dovede do eksplozija.
- ▶ Ne dodirujte polove baterije svojim prstima, alatima, nakitom ili drugim predmetima koji provode struju. To može oštetiti akumulatorsku bateriju i izazvati materijalnu štetu i povrede.
- ▶ Držite akumulatorske baterije dalje od kiše, vlage i tečnosti. Tečnost koja je prodrla može prouzrokovati kratke spojeve, strujne udare, požare i eksplozije.
- ▶ Upotrebljavajte samo punjače i električne alate koji su predviđeni za taj tip akumulatorske baterije. Da biste to uradili, obratite pažnju na podatke u odgovarajućim uputstvima za upotrebu.
- ▶ Ne koristite i ne skladištite bateriju u okolini u kojoj postoji opasnost od eksplozije.



- ▶ Ako je akumulatorska baterija prevruća da biste je držali u ruci, onda je moguće da je u kvaru. Akumulatorsku bateriju postavite na pregledno, nezapaljivo mesto koje je dovoljno udaljeno od zapaljivih materijala. Sačekajte da se akumulatorska baterija ohladi. Ukoliko je akumulatorska baterija nakon sat vremena i dalje suviše vruća da biste je držali u ruci, to znači da je neispravna. Obratite se servisu **Hilti** ili pročitajte dokument „Napomene za sigurnost i korišćenje **Hilti** Li-Ion akumulatorskih baterija“.

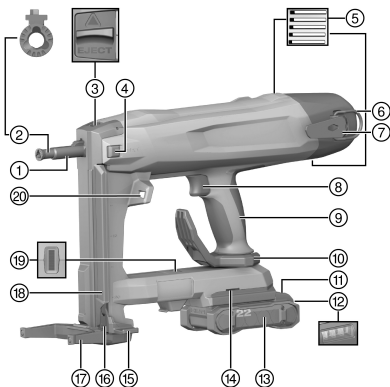


Obratite pažnju na specijalne smernice, koje važe za transport, skladištenje i upotrebu litijum-jonskih akumulatorskih baterija.

Pročitajte napomene za sigurnost i korišćenje **Hilti** Li-Ion akumulatorskih baterija, koje možete dobiti skeniranjem QR koda na kraju ovog uputstva za upotrebu.

3 Opis

3.1 Pregled proizvoda



- ① Pročelje alata
- ② Vodilica vijka
- ③ Blokada vodilice vijka
- ④ Prekidač za pojedinačno postavljanje (BX 3-ME-22)
- ⑤ Prorezi za ventilaciju
- ⑥ Ušica za pridržno uže za alat
- ⑦ Pojasna kuka
- ⑧ Sigurnosni okidač
- ⑨ Rukohvat
- ⑩ Potporna kuka
- ⑪ Taster za deblokiranje baterije
- ⑫ Prikaz statusa akumulatorske baterije
- ⑬ Litijum-jonska akumulatorska baterija
- ⑭ Otvor za montažu pribora
- ⑮ Klizač za eksere
- ⑯ Deblokiranje klizača za eksere
- ⑰ Potporni nogar
- ⑱ Magacin
- ⑲ Prikaz statusa pištolja za ukucavanje
- ⑳ Osvetljenje radnog polja

3.1.1 Oprema

Vodilica vijka i podupirući nogar zavise od proizvoda. Sledeća tabela prikazuje podupirući nogar i vodilicu vijka kojima je proizvod opremljen.

Dodatne informacije možete pronaći u poklopcu kofera, u vašoj **Hilti Store** ili na adresi: www.hilti.group

| Proizvod | BX 3-22 | BX 3-L-22 | BX 3-ME-22 |
|----------------|---------------|---------------|---------------|
| Vodilica vijka | X-FG B3 IF 02 | X-FG B3 IF 02 | X-FG B3 ME |
| Potporni nogar | X-SL B3 03 | X-SL B3 03 | X-SL B3 ME 03 |

3.2 Namenska upotreba

Proizvod je ručno vođeni nasadni uređaj sa akumulatorskim pogonom. Namenjen je za ukucavanje specijalno proizvedenih elemenata za pričvršćivanje u betonu, čeliku, zidinama, krečnjačkom kamenu i dr., za direktnu montažu adekvatnih podloga. Proizvod je takođe namenjen i za pričvršćivanje električnih vodova sa zakačkama, ukoliko se za to upotrebljavaju adekvatni elementi za pričvršćivanje. Koristite samo odobrene elemente za pričvršćivanje u kombinaciji sa određenom vodicom vijka (pogledajte poglavlje „Tehnički podaci“).

Pištolj za ukucavanje eksera, akumulatorska baterija i elementi za pričvršćivanje formiraju tehničku jedinicu. To znači da pomoću pištolja za ukucavanje može da se garantuje pričvršćivanje bez problema samo ako se upotrebljavaju zato specijalno proizvedeni **Hilti** elementi za pričvršćivanje i punjači i akumulatorske baterije



koje je preporučio **Hilti**. Preporuke za pričvršćivanje i primenu date od strane firme **Hilti** važe samo kada se ovi uslovi poštuju.

- ▶ Pištolj za ukucavanje je namenjen samo za ručnu upotrebu.
- ▶ Morate da isključite mogućnost pogrešnih primena. Kao pogrešan način upotrebe uređaja, važe ukucavanja u mekane površine (npr. drvo) kao i ukucavanja u prečvrste površine (npr. prirodan kamen ili veoma čvrst čelik).
- Za ovaj proizvod koristite isključivo **Hilti** Nuron litijum-jonske akumulatorske baterije serije B 22. Za optimalnu snagu **Hilti** preporučuje upotrebu akumulatorskih baterija koje su navedene na kraju ovog uputstva za upotrebu.
- Za ove akumulatorske baterije koristite isključivo **Hilti** punjače serija koje su navedene u tabeli na kraju ovog uputstva za upotrebu.

3.3 Sigurnosna oprema

U režimu rada magacina za municiju detekcija eksera treba da spreči pogrešna ukucavanja, koja mogu da prouzrokuju oštećenja na pištolju za ukucavanje.

Osigurač od potiskivanja treba da spreči slobodno ukucavanje eksera. Pištolj za ukucavanje u režimu rada sa magacinom za municiju može da se potisne i aktivira samo kada je ekser ubačen.

3.4 Obeležja opreme

Pištolj za ukucavanje je opremljen ergonomskim i neklizajućim rukohvatom na kome je osećaj vibriranja prigušen, takođe i potpnom kukom, kao i podupirajućim nogarom. Pištolj za ukucavanje je zaštićen elektronskom zaštitom od preopterećenja i sa nadzorom temperature od pregrevanja.

3.5 Prikaz statusa pištolja za ukucavanje

Prikaz statusa pištolja za ukucavanje daje informacije o stanjima pištolja za ukucavanje.

| Stanje | Značenje |
|--|--|
| LED je isključen | Pištolj za ukucavanje je isključen |
| LED dioda svetli zeleno. | Pištolj za ukucavanje je uključen i spreman za ukucavanje |
| LED dioda treperi zeleno. | Akumulatorska baterija je prevruća ili previše ispražnjena |
| LED dioda treperi zeleno na svake 3 sekunde. | Pištolj za ukucavanje je u Stand-by režimu, pritiskanje proćelja alata uključuje pištolj za ukucavanje |
| LED svetli plavo. | Pištolj za ukucavanje je uključen, kada je traka sa ekserima ponovo napunjena |
| LED treperi plavo. | Pištolj za ukucavanje je uključen, magacin je potpuno prazan |
| LED treperi žuto. | Pištolj za ukucavanje je prevruć, pogledajte tabelu sa smetnjama |
| LED dioda treperi crveno. | Smetnja alata, videti tabelu smetnji |
| LED dioda svetli crveno. | Smetnja alata, videti tabelu smetnji |

3.6 Prikazi Li-Ion akumulatorske baterije

Hilti Nuron Li-Ion akumulatorske baterije mogu da prikažu status napunjenosti, poruke o greškama i stanje i akumulatorske baterije.

3.6.1 Indikatori za napunjenosti i poruke o greškama



UPOZORENJE

Opasnost od povrede u slučaju padanja akumulatorske baterije!

- ▶ Kada je uključena akumulatorska baterije, nakon pritiskanja tastera za uključivanje uverite se da ste ponovo pravilno postavili akumulatorsku bateriju u korišćenom proizvodu.

Kratko pritisnite taster za otključavanje akumulatorske baterije da biste dobili neki od sledećih prikaza. Nivo napunjenosti kao i moguće smetnje se prikazuju trajno, sve dok je priključeni proizvod uključen.



| Stanje | Značenje |
|---|--|
| Četiri (4) LED diode svetle konstantno zeleno | Status napunjenosti: 100% do 71% |
| Tri (3) LED diode svetle konstantno zeleno | Status napunjenosti: 70% do 51% |
| Dve (2) LED diode svetle konstantno zeleno | Status napunjenosti: 50% do 26% |
| Jedna (1) LED dioda konstantno svetli zeleno | Status napunjenosti: 25% do 10% |
| Jedna (1) LED dioda treperi polako zeleno | Status napunjenosti: < 10 % |
| Jedna (1) LED dioda treperi brzo zeleno | Li-Ion akumulatorska baterija je potpuno ispražnjena. Napunite akumulatorsku bateriju. Ako LED dioda nakon akumulatorske baterije još uvek brzo treperi, obratite se Hilti servisu. |
| Jedna (1) LED dioda treperi brzo žuto | Li-Ion akumulatorska baterija ili proizvod koji je povezan sa njom su preopterećeni, pregrijani, previše hladni ili postoji neka druga greška. Proizvod i akumulatorsku bateriju dovedite na preporučenu radnu temperaturu i nemojte je preopterećivati prilikom upotrebe. Ako se poruka i dalje pojavljuje, obratite se Hilti servisu. |
| Jedna (1) LED dioda svetli žuto | Li-Ion akumulatorska baterija i proizvod koji je povezan sa njom nisu kompatibilni. Obratite se Hilti servisu. |
| Jedna (1) LED dioda treperi brzo crveno | Li-Ion akumulatorska baterija je blokirana i više ne može da se upotrebljava. Obratite se Hilti servisu. |

3.6.2 Prikazi stanja akumulatorske baterije

Kako biste proverili stanje akumulatorske baterije, držite taster za otključavanje pritisnut duže od tri sekunde. Sistem ne prepoznaje potencijalne nepravilne funkcije baterije usled zloupotrebe, kao što su npr. pad, ubodi, eksterna oštećenja od toplote.

| Stanje | Značenje |
|--|--|
| Sve LED diode svetle kao radno svetlo i jedna (1) LED dioda nakon toga svetli konstantno zeleno. | Akumulatorska baterija može dalje da se koristi. |
| Sve LED diode svetle kao radno svetlo i nakon toga jedna (1) LED dioda brzo treperi žuto. | Upit prikaza stanja akumulatorske baterije nije mogao da izvrši. Ponovite postupak ili se obratite Hilti servisu. |
| Sve LED diode svetle kao radno svetlo i jedna (1) LED dioda nakon toga svetli konstantno crveno. | Ako priključeni proizvod može i dalje da se koristi, preostali kapacitet baterije je manji od 50%. Ako priključeni proizvod više ne može da se koristi, akumulatorska baterija je na kraju svog roka trajanja i potrebno je da se zameni. Obratite se Hilti servisu. |

3.7 Bluetooth® (opciono)

Bluetooth® tekstualni logotipi i simboli (logotipi) su registrovani zaštitni znaci i vlasništvo kompanije Bluetooth SIG, Inc. Svako korišćenje ovog tekstualnog logotipa / simbola od strane **Hilti** akcionarskog društva je pod licencom.

3.7.1 Adekvatna upotreba

Ovaj proizvod je opremljen Bluetooth® Low Energy modulom koji omogućava proveru statusa električnog alata kao i prenos podešavanja i podataka zasnovan na Bluetooth® bežičnoj tehnologiji, bežični prenos podataka putem koga dva proizvoda sa sposobnošću za Bluetooth mogu međusobno da komuniciraju na kratkoj udaljenosti. Ovaj proizvod je razvijen kako bi omogućio komunikaciju i prenos podataka putem mobilnih telefona i **Hilti** mrežnih prolaza. Proizvod može slati podatke kao što su lokacija krajnjeg uređaja za prijem, vreme rada, ukupan broj korišćenja, broj korišćenja tokom intervala i vreme prenosa. Informacije o ponuđenim funkcijama povezivanja možete pronaći u odgovarajućoj **Hilti** aplikaciji ili u uputstvu za upotrebu korišćenog električnog alata.



3.7.2 Prenos podataka preko Bluetooth® veze

Interval slanja može da varira u zavisnosti od dostupnog izvora energije proizvoda. Domet može veoma da varira u zavisnosti od spoljašnjih uređaja, uključujući i korišćeni prijemnik. U zatvorenim prostorima i kroz metalne barijere (npr. zidove, regale, kofere itd.), domet Bluetooth® veze može značajno da se smanji. U zavisnosti od okruženja može biti potrebno više intervala slanja pre nego što se električni alat prepozna.

Ukoliko se električni alat ne prepozna, proverite sledeće:

Da li udaljenost od mobilnog krajnjeg uređaja prevelika?

→ Smanjite udaljenost između mobilnog krajnjeg uređaja i električnog alata

3.7.3 Instalacija i podešavanje aplikacije

Da biste mogli da koristite funkcije povezivanja, morate prvo da instalirate odgovarajuću Hilti aplikaciju.

(1.) Preuzmite aplikaciju preko odgovarajuće prodavnice aplikacija.



Predušlov za to je da napravite korisnički nalog u prodavnici aplikacija.

(2.) Nakon što prvi put pokrenete aplikaciju, prijavite se preko svog naloga ili se registrujte.

(3.) Na displeju vašeg mobilnog krajnjeg uređaja se prikazuju svi sledeći koraci za povezivanje električnog alata sa mobilnim krajnjim uređajem.



Prvo pogledajte tutorijal aplikacije do kraja. Na taj način ćete dobiti bolji pregled procesa povezivanja i korišćenja funkcija povezivanja.

3.8 Zaštita od potpunog pražnjenja

Proizvod ima režim dubokog sna za zaštitu litijum-jonske akumulatorske baterije od potpunog pražnjenja. Na taj način se sprečava da se akumulatorska baterija isprazni u potpunosti.

- Zaštita od potpunog pražnjenja se aktivira nakon 360 minuta.
- Za deaktiviranje zaštite od potpunog pražnjenja, izvadite akumulatorsku bateriju i stavite je ponovo.

3.9 Sadržaj isporuke

Pištolj za ukucavanje, uputstvo za upotrebu.

Ostale, za vaš proizvod odobrene sistemske proizvode pronađite u vašoj Hilti Store ili na: www.hilti.group

4 Tehnički podaci

| | BX 3-22 | BX 3-L-22 | BX 3-ME-22 |
|--|-----------------|--------------------|-----------------|
| Težina prema EPTA Procedure 01 bez akumulatorske baterije | 3,5 kg | 3,5 kg | 3,4 kg |
| Dužina eksera za magacin za municiju | 14 mm ... 30 mm | 14 mm ... 36 mm | 14 mm ... 24 mm |
| Dužina eksera kod pojedinačne postavke | •/• | •/• | 30 mm ... 36 mm |
| Prečnik eksera | 3 mm | 2,75 mm ... 3,0 mm | 3 mm |
| Kapacitet magacina za municiju | 30 eksera | 30 eksera | 20 eksera |
| Deonica potiskivanja | 12 mm | 12 mm | 12 mm |
| Snaga potiskivanja | 50 N ... 70 N | 50 N ... 70 N | 50 N ... 70 N |
| Preporučena maksimalna frekvencija postavljanja pri sobnoj temperaturi | 700/h | 700/h | 700/h |
| Referentni napon | 21,6 V | 21,6 V | 21,6 V |
| Maksimalna emitovana snaga Bluetooth® | 8 dBm | 8 dBm | 8 dBm |



| | BX 3-22 | BX 3-L-22 | BX 3-ME-22 |
|---------------------------------------|----------------------------|----------------------------|----------------------------|
| Bluetooth opseg frekvencije | 2.402 MHz ... 2.480 MHz | 2.402 MHz ... 2.480 MHz | 2.402 MHz ... 2.480 MHz |
| Temperatura skladištenja | -20 °C ... 70 °C | -20 °C ... 70 °C | -20 °C ... 70 °C |
| Temperatura okoline tokom rada | -17 °C ... 60 °C | -17 °C ... 60 °C | -17 °C ... 60 °C |

4.1 Akumulatorska baterija

| | |
|---|---------------------------------------|
| Radni napon akumulatorske baterije | 21,6 V |
| Težina akumulatorske baterije | Videti kraj ovog uputstva za upotrebu |
| Temperatura okoline tokom rada | -17 °C ... 60 °C |
| Temperatura skladištenja | -20 °C ... 40 °C |
| Temperatura akumulatorske baterije na početku punjenja | -10 °C ... 45 °C |

4.2 Informacije o šumu i vrednosti vibracija prema EN 62841

U ovim uputstvima navedene vrednosti pritiska zvuka i vibracija su izmerene u skladu sa normiranim postupkom merenja i možete zajedno da ih koristite za poređenje električnih alata. Takođe su primereni za preliminarnu procenu ekspozicija.

Navedeni podaci se odnose primarne primene električnog alata. Ako se električni alat inače koristi za druge primene sa alatima za umetanje koji se razlikuju ili nisu dovoljno dobro održavani, podaci se mogu razlikovati. To može znatno povećati ekspozicije tokom celokupnog radnog veka.

Za tačnu procenu ekspozicija treba uzeti u obzir i vremena, tokom kojih je uređaj bio isključen ili je radio, ali se zapravo nije koristio. To može znatno smanjiti ekspozicije tokom celokupnog radnog veka.

Određite dodatne sigurnosne mere za zaštitu korisnika od delovanja zvuka i/ili vibracija kao npr.: održavanje električnog alata i alata za umetanje, održavanje toplih ruku, organizacija tokova rada.

Informacije o šumu

| | | BX 3-22 | BX 3-L-22 | BX 3-ME-22 |
|---|--------------|----------------|------------------|-------------------|
| Tipična A-vrednost emisije nivoa zvučne snage (prilikom ukucavanja eksera) (L_{WA}) | Beton | 96 dB | 96 dB | 96 dB |
| | Čelik | 100 dB | 100 dB | 100 dB |
| Tipična A-vrednost emisije nivoa zvučne snage (prilikom ukucavanja eksera) (L_{pA}) | Beton | 85 dB | 85 dB | 85 dB |
| | Čelik | 89 dB | 89 dB | 89 dB |
| Nesigurnost za navedeni nivo zvuka (K_{WA}, K_{PA}) | | 3 dB | 3 dB | 3 dB |

Monoaksijalne ukupne vrednosti vibracija (u z-pravcu)

| | | BX 3-22 | BX 3-L-22 | BX 3-ME-22 |
|--|--------------|----------------------|----------------------|----------------------|
| Vrednost emisije vibracije (prilikom ukucavanja eksera) sa akumulatorskom baterijom B22 55 (a_n) | Beton | 2,5 m/s ² | 2,5 m/s ² | 2,5 m/s ² |
| | Čelik | 3,3 m/s ² | 3,3 m/s ² | 3,3 m/s ² |
| Vrednost emisije vibracije (prilikom ukucavanja eksera) sa akumulatorskom baterijom B22 85 (a_n) | Beton | 2,9 m/s ² | 2,9 m/s ² | 2,9 m/s ² |
| | Čelik | 3,5 m/s ² | 3,5 m/s ² | 3,5 m/s ² |
| Nesigurnost (K) | | 1,5 m/s ² | 1,5 m/s ² | 1,5 m/s ² |

5 Priprema za rad

UPOZORENJE

Opasnost od povrede nesmotrenim pokretanjem!

- ▶ Pre postavljanja akumulatorske baterije uverite se da je proizvod isključen.
- ▶ Izvadite akumulatorsku bateriju pre podešavanja uređaja ili zamene delova pribora.

Obratite pažnju na bezbednosne i upozoravajuće napomene koje se nalaze u ovoj dokumentaciji i na proizvodu.



5.1 Punjenje akumulatorske baterije

1. Pre punjenja pročitajte uputstvo za rukovanje punjačem.
2. Vodite računa o tome da kontakti akumulatorske baterije i punjača treba da budu suvi i čisti.
3. Akumulatorsku bateriju napunite u sertifikovanom punjaču. → Strana 94

5.2 Umetanje akumulatorske baterije

UPOZORENJE

Opasnost od povrede usled kratkog spoja ili pada akumulatorske baterije!

- ▶ Pre postavljanja akumulatorske baterije u proizvod, uverite se da na kontaktima akumulatorske baterije i proizvoda nema stranih tela.
- ▶ Uvek proverite da li akumulatorska baterija pravilno naleže.

1. Pre prvog puštanja u rad u potpunosti napunite akumulatorsku bateriju.
2. Gurnite akumulatorsku bateriju u proizvod, dok se ne čuje da se uklopila.
3. Proverite da li je akumulatorska baterija ispravno ulegla.

5.3 Uklanjanje akumulatorske baterije

1. Pritisnite taster za otključavanje akumulatora.
2. Izvucite akumulatorsku bateriju iz proizvoda.

5.4 Skidanje vođice vijka

1. Klizač za eksere vucite na dole, dok se ne užlebi.
2. Ispraznite magacin. → Strana 102
3. Blokadu kanalice za vijke gurnite u pravcu strelice do graničnika.
 - ▶ Vodilica vijke se deblokira.
4. Skinite vođicu vijka.

5.5 Umetanje vođice vijka

1. Klizač za eksere vucite na dole, dok se ne užlebi.
2. Ispraznite magacin. → Strana 102
3. Blokadu kanalice za vijke gurnite u pravcu strelice do graničnika i držite je u toj poziciji.
4. Vodicu za vijke gurajte u pročelje uređaja dok se čujno ne užlebi.
5. Otpustite blokadu kanalice za vijke.
 - ▶ Blokada kanalice za vijke iskače u srednji položaj.
6. Povlačenjem za kanalicu za vijke proverite da li je sigurno ulegla.

5.6 Bezbedan rad sa pojasnim i potpornim kukama

- ▶ Pre početka rada se uverite, da je kuka na pojasu/potporna kuka na proizvodu dobro pričvršćena.
- ▶ Koristite potporne kuke samo onoliko koliko je to potrebno. Bezbedno odložite proizvod, ako ga ne upotrebljavate duže vreme.

5.7 Osigurač od padanja

UPOZORENJE

Opasnost od povrede usled alata i/ili pribora koji padne!

- ▶ Koristite samo **Hilti** traku za držanje alata koja je preporučena za vaš proizvod.
- ▶ Pre svake upotrebe proverite da li je tačka za pričvršćivanje trake za držanje alata oštećena.
- ▶ Traku za držanje alata nemojte pričvršćivati za kopču za pojas. Kopču za pojas nemojte koristiti za podizanje proizvoda.

Vodite računa o nacionalnim propisima za radove na visini.

Kao osigurač od padanja, za ovaj proizvod koristite isključivo **Hilti** traku za držanje alata #2261970.



- ▶ Traku za držanje alata pričvrstite sa karabinerom kao što je predstavljeno na slici. Proverite siguran prihvat karabinera.
- ▶ Pričvrstite drugi karabiner na noseću strukturu. Proverite siguran prihvat karabinera.



Obratite pažnju na uputstvo za upotrebu **Hilti** trake za držanje alata.

5.8 Punjenje za režim rada sa magacinom za municiju

OPREZ

Opasnost od prignječenja! Trzanje klizača za eksere može da dovede do povreda i oštećenja na pištolju za ukucavanje.

- ▶ Prilikom povlačenja klizača za eksere nadole pazite na to da se sigurno užlebi. Nemojte da trzate klizač za eksere.

1. Klizač za eksere vucite na dole, dok se ne užlebi.
2. Omogućite da traka za eksere klizne u magacin za municiju (maksimalno 3 trake sa po 10 eksera).
3. Klizač za eksere držite čvrsto i pritisnite deblokadu klizača za eksere.
4. Vratite klizač za eksere nazad dok ne dotakne ekser.

5.9 Punjenje za režim rada pojedinačnog postavljanja

BX 3-ME-22

OPREZ

Opasnost od prignječenja! Trzanje klizača za eksere može da dovede do povreda i oštećenja na pištolju za ukucavanje.

- ▶ Prilikom povlačenja klizača za eksere nadole pazite na to da se sigurno užlebi. Nemojte da trzate klizač za eksere.

1. Klizač za eksere vucite na dole, dok se ne užlebi.
2. Omogućite da traka za eksere isklizne iz magacina za municiju i uverite se da je magacin za municiju prazan.



Pištolj za ukucavanje se može oštetiti kada pre ukucavanja, u režimu rada za pojedinačno postavljanje, niste uklonili sve eksere iz magacina za municiju.

3. Klizač za eksere držite čvrsto i pritisnite deblokadu klizača za eksere.
4. Klizač za eksere vratite nazad.
5. Ukucajte ekser u za to predviđeno udubljenje u vođici vijka. Opcionalno možete dodatno nakon toga da postavite odobreni element za pričvršćivanje na vođici vijka.



Ukucavanje sa više od jednog eksera u vođicu vijka može prouzrokovati oštećenja na pištolju za ukucavanje. Napunite vođicu vijka u režimu rada za pojedinačno postavljanje sa maksimalno jednim ekserom.

6. Aktivirajte prekidač za pojedinačno postavljanje.
 - ▶ Prekidač za pojedinačno postavljanje čujno uleže.



Ukoliko klizač za eksere nekoliko centimetara povučete nadole, ponovo se otpušta prekidač za pojedinačno postavljanje.

6 Rukovanje

Obratite pažnju na bezbednosne i upozoravajuće napomene koje se nalaze u ovoj dokumentaciji i na proizvodu.

6.1 Upotreba potpornog nogara

Na ravnoj podlozi potporni nogar olakšava pravougaono postavljanje pištolja za ukucavanje, pošto samo još u bočnom pravcu morate da pazite na pravougaono pozicioniranje. Na neravnoj osnovi može da bude neophodno da sklopite potporni nogar, kako biste vođicu vijka usmerili pod pravim uglom na podlogu.



6.1.1 Sklapanje potpornog nogara

1. Pritisnite naspram potpornog nogara, kako biste ga otpustili iz užlebljene pozicije.
2. Vratite potporni nogar unazad.

6.1.2 Rasklapanje potpornog nogara

OPREZ

Opasnost od prignječanja! Prilikom sklapanja potpornog nogara postoji opasnost da između potpornog nogara i kućišta priklješтите prste.

- ▶ Pištolj za ukucavanje prilikom sklapanja potpornog nogara držite za dršku.

1. Zakrenite potporni nogar unapred
2. Odozgo pritisnite uz potporni nogar, kako biste ga užlebili u rasklopljenoj poziciji.

6.2 Isključivanje Bluetooth veze (opciono)

- ▶ Pritisnite pištolj za ukucavanje 10 sekundi na tlo.
 - ▶ Posle 6 sekundi element sa oprugom će se čujno otpustiti (pištolj za ukucavanje držite još 4 sekunde pritisnutog).
 - ▶ Prikaz statusa treperi 3 puta u plavoj boji.
 - ▶ Zvuk motora se čuje 3 puta.
 - ▶ Prenos podataka više nije moguć.

Ako se zadržite u osetljivom okruženju (npr. bolnica), gde nije dozvoljen Bluetooth, možete deaktivirati Bluetooth.
za ponovno uključivanje Bluetooth veze, izvadite akumulatorsku bateriju i stavite je ponovo.

6.3 Uključivanje/isključivanje pištolja za ukucavanje

6.3.1 Uključivanje pištolja za ukucavanje

UPOZORENJE

Opasnost od povreda! Prisanjanje pištolja za ukucavanje na telo može, usled nenamernog okidanja ukucavanja, da izazove teške povrede.

- ▶ **Pištolj za ukucavanje nikada nemojte prisanjati na svoju ruku ili drugi deo tela.**

1. Kod režima rada sa magacinom, napunite magacin. → Strana 100
2. Umetnite akumulatorsku bateriju. → Strana 99
 - ▶ Prikaz statusa polako treperi zeleno.

Prilikom režima rada sa smanjenom snagom akumulatorske baterije pištolj za ukucavanje se isključuje, pre nego što dođe do oštećenja ćelija akumulatorske baterije.

3. Za uključivanje gurnite pištolj za ukucavanje na odgovarajuću podlogu.
 - ▶ Pištolj za ukucavanje dobija napon.
 - ▶ Prikaz statusa svetli zeleno.

6.3.2 Isključivanje pištolja za ukucavanje

- ▶ Uklonite akumulatorsku bateriju. → Strana 99
 - ▶ Element sa oprugom će se čujno otpustiti i prikaz statusa će se ugasiti.

Nakon 6 minuta pištolj za ukucavanje pravi buku motora kao pokazatelj da će se pištolj za ukucavanje uskoro isključiti. Nakon pokazatelja se pištolj za ukucavanje automatski isključuje.

6.4 Sprovođenje ukucavanja

UPOZORENJE

Opasnost od povrede od prisutnih pričvrstnih elemenata!

- ▶ Pre ukucavanje pričvrstnih elemenata uverite se da niko nije prisutan neposredno iza ili ispod građevinskog materijala, u koji se ukucava pričvrstni element.



⚠ UPOZORENJE

Opasnost od povređivanja usled odskačućih delova! Tokom postupka postavljanja postoji opasnost od telesnih povreda ili povreda očiju od odvojenog materijala ili razletelih delova trake za eksere.

- ▶ **Nosite ličnu zaštitnu opremu i uvek zaštitne naočare i zaštitne rukavice.** Druge osobe u okruženju takođe moraju da nose štitnik za oči i zaštitnu kacigu.

⚠ UPOZORENJE

Opasnost od povreda! Prisljanjanje pištolja za ukucavanje na telo može, usled nenamernog okidanja ukucavanja, da izazove teške povrede.

- ▶ **Pištolj za ukucavanje nikada nemojte prisljanjati na svoju ruku ili drugi deo tela.**

1. Pre nego što počnete sa radom, ukucajte u podlogu 2 pričvrсна elementa radi probe.
2. Pištolj za ukucavanje postavite pod pravim uglom na podlogu i potisnite vođicu vijka do graničnika.
 - ▶ Pištolj za ukucavanje se uključuje.
3. Pritisikom sigurnosnog okidača aktivirajte ukucavanje.
4. Posle ukucavanja pištolj za ukucavanje podignite u potpunosti sa podloge.



Ukoliko vođilicu vijka na podlozi potiskujete duže od 6 sekundi, a da se ne aktivira ukucavanje, pištolj za ukucavanje se automatski prebacuje u Standby režim. Ponovnim stavljanjem pročelja uređaja na tlo, pištolj za ukucavanje se ponovo puni.

6.5 Vađenje eksera u režimu rada sa magacinom za municiju

1. Klizač za eksere vucite na dole, dok se ne užlebi.
2. Izgurajte ekser na dole iz magacina za municiju.
3. Klizač za eksere držite čvrsto i pritisnite deblokadu klizača za eksere.
4. Klizač za eksere vratite nazad u izlaznu poziciju.

6.6 Odglavlivanje zaglavljenih eksera**⚠ UPOZORENJE**

Opasnost od povrede i oštećenje pištolja za ukucavanje. Upotreba neodgovarajućih predmeta umesto originalnog pribora koji je preporučio **Hilti** može dovesti do povreda i oštetiti pištolj za ukucavanje.

- ▶ Za otpuštanje zaglavljenog eksera upotrebljavajte isključivo preporučeni set probojaca.

⚠ UPOZORENJE

Opasnost od povređivanja usled odskačućih delova! Ukoliko se strana tela nalaze u području vođice vijka ili ako su pričvrсни elementi zaglavljani u njoj, delovi koji se razlete tada prilikom ukucavanja mogu da izazovu povrede.

- ▶ Nikada nemojte pokušavati da otklonite smetnje na pištolju za ukucavanje okidanjem narednog ukucavanja!



Pojedinačni ekseri mogu da se zaglave u kanalici za vijke. Pomoću seta probojaca X-NP možete da uklonite zaglavljene eksere iz kanalice za vijke. Pribor ćete pronaći u Vašem **Hilti** Store ili online na www.hilti.group.

1. Izvadite kanalicu za vijke (videti → Strana 99).
2. Vođilicu za vijke umetnite u prijemnu čauru seta probojaca.
3. Zaglavljani ekser iz kanalice za vijke izbijte pomoću probojca i čekića.
4. Umetnite kanalicu za vijke (videti → Strana 99).

7 Nega i održavanje**⚠ UPOZORENJE**

Opasnost od povrede kod umetnute akumulatorske baterije !

- ▶ Uvek izvadite akumulatorsku bateriju pre svih radova na negovanju i održavanju uređaja!



Održavanje proizvoda

- Pažljivo uklonite čvrsto prionulu prljavštinu.
- Ako postoje, pažljivo očistite proreze za ventilaciju suvom, mekanom četkom.
- Kućište čistite samo blago nakvašenom krpom. Ne upotrebljavajte sredstva za negu na bazi silikona, jer mogu nagristi plastične delove.
- Za čišćenje kontakta proizvoda koristite čistu, suhu krpu.

Nega Li-Ion akumulatorske baterije

- Nikada ne upotrebljavajte akumulatorsku bateriju sa ukoliko su prorezi za ventilaciju začepjeni. Proreze za ventilaciju oprezno očistite suvom, mekanom četkom.
- Ne izlažite akumulatorsku bateriju nepotrebnoj prašini ili prljavštini. Ne izlažite akumulatorsku bateriju nikada velikoj količini tečnosti (npr. potapanjem u vodu ili ostavljanjem na kiši).
Ako je akumulatorska baterija navlažena, tretirajte je kao oštećenu akumulatorsku bateriju. Izolujte je u nezapaljivu posudu i obratite se servisu **Hilti**.
- Akumulatorska baterija ne sme da bude zaprljana drugim uljem i mašću. Nemojte dozvoljavati da se na akumulatorskoj bateriji taloži nepotrebna prašina ili prljavština. Akumulatorsku bateriju čistite pomoću suve, mekane četkice ili čiste, suve krpe. Ne upotrebljavajte sredstva za negu na bazi silikona, jer mogu nagristi plastične delove.
Nemojte da dodirujete kontakte akumulatorske baterije i nemojte uklanjati fabrički nanetu masnoću sa kontakata.
- Kućište čistite samo blago nakvašenom krpom. Ne upotrebljavajte sredstva za negu na bazi silikona, jer mogu nagristi plastične delove.

Održavanje

- Redovno proveravajte da li je došlo do oštećenja na vidljivim delovima i da li elementi za rukovanje besprekorno funkcionišu.
- Proizvod nemojte da koristite ukoliko postoje oštećenja i/ili smetnje u funkciji. Proizvod odmah treba da popravi **Hilti** servis.
- Posle radova na nezi i održavanju postavite svu zaštitnu opremu i proverite da li je njihova funkcija ispravna.



Da biste obezbedili bezbedan rad koristite samo originalne rezervne delove i potrošni materijal. Rezervne delove, potrošne materijale i pribor koje je odobrila kompanija **Hilti** se nalaze u vašem **Hilti Store** ili na adresi: www.hilti.group

7.1 Čišćenje unutrašnje strane pročelja alata

1. Skinite vodicu vijka. → Strana 99
2. Očistite unutrašnju stranu pročelja alata.
3. Postavite vodicu vijka. → Strana 99

8 Transport i skladištenje akumulatorskih alata i akumulatorskih baterija

Transport



Nesmotreno pokretanje prilikom transporta !

- ▶ Uvek transportujte vaše proizvode bez umetnutih akumulatorskih baterija!
- ▶ Izvadite akumulatorske baterije.
- ▶ Prenosite i čuvajte alat u sigurnom koferu.
- ▶ Akumulatorske baterije nikada nemojte da transportujete bez ambalaže. Akumulatorske baterije bi trebalo tokom transporta zaštititi od prekomernih udaraca i od materijala koji sprovede struju ili izolovati od drugih akumulatorskih baterija, kako se ne bi dodirnule sa drugim polom baterije i prouzrokovale kratak spoj. **Obratite pažnju na vaše lokalne propise za transport akumulatorskih baterija.**
- ▶ Akumulatorske baterije ne smete slati poštom. Obratite se kompaniji za slanje pošiljki, ako želite da pošaljete neoštećene akumulatorske baterije.
- ▶ Prekontrolišite da li na proizvodu i akumulatorskim baterijama ima oštećenja pre svake upotrebe kao i pre i nakon dugotrajnog transporta.




Nesmotreno oštećenje zbog neispravnih ili isurelih akumulatorskih baterija !

- ▶ Uvek odlažite vaše proizvode bez umetnutih akumulatorskih baterija!
-
- ▶ Proizvod i akumulatorske baterije skladištite na hladnom i suvom mestu. Pazite na granične vrednosti za temperaturu koje su navedene u tehničkim podacima.
 - ▶ Akumulatorske baterije nemojte ostavljati na punjaču. Akumulatorsku bateriju nakon punjenja uvek skinite sa punjača.
 - ▶ Akumulatorske baterije nikada ne skladištite na suncu, na izvorima toplote ili iza stakla.
 - ▶ Proizvod i akumulatorske baterije skladištite na mestu koje je suvo i nepristupačno deci ili neovlašćenim osobama.
 - ▶ Prekontrolišite da li na proizvodu i akumulatorskim baterijama ima oštećenja pre svake upotrebe kao i pre i nakon dugotrajnog skladištenja.

9 Pomoć u slučaju smetnji

Ukoliko nije drugačije navedeno, svi opisani svetlosni signali se odnose na prikaz statusa pištolja za ukucavanje. Kod svih smetnji obratite pažnju na prikaz stanja napunjenosti i prikaz greške akumulatorske baterije. Pogledajte poglavlje **Prikazi Li-Ion akumulatorske baterije**.

U slučaju smetnji, koje nisu navedene u ovoj tabeli ili koje ne možete samostalno da otklonite, molimo da se obratite **Hilti** servisu.

| Smetnja | Mogući uzrok | Rešenje |
|---|--|--|
| Prikaz statusa treperi zeleno. | Akumulatorska baterija prazna. | ▶ Zamenite akumulatorsku bateriju. |
| Element sa oprugom se ne zateže, prikaz statusa svetli zeleno. | Akumulatorska baterija prazna. | ▶ Zamenite akumulatorsku bateriju. |
| Kanalicu za vijke ne možete da potisnete, a prikaz statusa svetli plavo . | Magacin za municiju prazan. | ▶ Kod režima rada sa magacinom, napunite magacin. → Strana 100 |
| Kanalicu za vijke ne možete da potisnete, a prikaz statusa svetli zeleno . | Klizač za eksere zaglavljen. | ▶ Traku za eksere izvadite iz magacina za municiju i očistite magacin za municiju. |
| | Ekser zaglavljen u kanalicu za vijke. | ▶ Odglavite zaglavljene eksere. → Strana 102 |
| Opruga će se usporeno zatezivati, prikaz statusa će treptati plavo, istovremeno će se oglasiti zvučni signal; tada će prikaz statusa svetleti 6 minuta plavo. | Magacin za municiju prazan. | ▶ Kod režima rada sa magacinom, napunite magacin. → Strana 100 |
| Element sa oprugom se ne zateže, a prikaz statusa treperi žuto. | Prekomerna temperatura u pištolju za ukucavanje. | ▶ Pustite da se pištolj za ukucavanje ohladi. |
| | Temperatura akumulatorske baterije je previsoka. | ▶ Sačekajte da se akumulatorska baterija ohladi. |
| | Temperatura akumulatorske baterije preniska. | ▶ Akumulatorsku bateriju ostavite da se postepeno zagreje na sobnoj temperaturi. |
| Element sa oprugom se ne zateže, a prikaz statusa treperi crveno. | Kanalica za vijke nije korektno umetnuta. | ▶ Postavite vodicu vijka. → Strana 99 |
| Element sa oprugom se ne zateže, a prikaz statusa svetli crveno. | Greška na uređaju. | ▶ Obratite se Hilti servisu. |
| Element sa oprugom se ne zateže; nema prikaza statusa. | Akumulatorska baterija prazna. | ▶ Zamenite akumulatorsku bateriju. |



| Smetnja | Mogući uzrok | Rešenje |
|--|--|--|
| Element sa oprugom se ne zateže; nema prikaza statusa. | Akumulatorska baterija nije korektno umetnuta. | ▶ Izvadite akumulatorsku bateriju i stavite je pravilno. → Strana 99 |
| | Uključena je zaštita od potpunog pražnjenja. | ▶ Izvadite akumulatorsku bateriju i stavite je ponovo. |
| Kanalicica za vijke zaglavljena u potisnutom položaju. | Nečistoća između kanalice za vijke i pročelja uređaja. | ▶ Očistite unutrašnju stranu pročelja alata. → Strana 103 |

10 Zbrinjavanje otpada

UPOZORENJE

Opasnost od povređivanja usled nestručnog uklanjanja na otpad! Opasnosti po zdravlje prouzrokovane ispuštanjem gasova ili tečnosti.

- ▶ Nemojte slati oštećene akumulatorske baterije!
- ▶ Prekrijte priključke materijalom koji ne sprovodi struju, kako biste izbegli kratak spoj.
- ▶ Akumulatorske baterije uklonite na otpad tako da ne mogu da dospeju u ruke dece.
- ▶ Uklonite na otpad akumulatorsku bateriju u vašoj **Hilti Store** ili se obratite preduzeću za odlaganje koje je nadležno za vas.

Hilti proizvodi su sa velikim udelom proizvedeni od reciklažnih materijala. Preduslov za ponovnu upotrebu je stručno razdvajanje materijala. U mnogim zemljama **Hilti** vaš stari uređaj vraća na reciklažu. Pitajte **Hilti** servis za klijente ili vašeg konsultanta za prodaju.



- ▶ Električne alate, elektronske uređaje i akumulatorske baterije ne odlažite u kućne otpatke!

11 Garancija proizvođača

- ▶ Ukoliko imate pitanja o uslovima garancije, obratite se lokalnom **Hilti** partneru.

12 Dodatne informacije

Dodatne informacije o rukovanju, tehnici, životnoj sredini i reciklaži možete pronaći na sledećem linku: qr.hilti.com/manual?id=2268212&id=2268213

Ovim link ćete pronaći čak i na kraju šine dokumentaciji od QR kod.

Перевод оригинального руководства по эксплуатации

1 Указания к документации

1.1 Об этом документе



Импортер и уполномоченная изготовителем организация

- (RU) Российская Федерация
АО "Хилти Дистрибушн ЛТД", 141402, Московская область, г. Химки, ул. Ленинградская, стр. 25
- (BY) Республика Беларусь
222750, Минская область, Дзержинский район, Р-1, 18-й км, 2 (около д. Слободка), помещение 1-34
- (KZ) Республика Казахстан
Республика Казахстан, индекс 050057, г. Алматы, ул. Тимирязева 42, павильон 15-9
Қазақстан Республикасы, 050057, Алматы қ., Тимирязев кешесі, 15-9 павильоны
- (AM) Республика Армения
ООО Эйч-Кон, Республика Армения, г. Ереван, ул. Бабаяна 10/1

Страна производства: см. маркировочную табличку на оборудовании.



2268213

Русский 105

Дата производства: см. маркировочную табличку на оборудовании.

Соответствующий сертификат можно найти по адресу: www.hilti.ru

Специальных требований к условиям хранения, транспортировки и использования, кроме указанных в руководстве по эксплуатации, нет.

Срок службы изделия составляет 5 лет.

- Ознакомьтесь с этим документом перед началом работы. Это является залогом безопасной работы и бесперебойной эксплуатации.
- Соблюдайте указания по технике безопасности и предупреждающие указания, приводимые в данном документе и на изделии.
- Храните руководство по эксплуатации всегда рядом с электроинструментом и передавайте электроинструмент будущим владельцам только вместе с этим руководством.

1.2 Пояснение к знакам

1.2.1 Предупреждающие указания

Предупреждающие указания служат для предупреждения об опасностях при обращении с изделием. Используются следующие сигнальные слова:



ОПАСНО

ОПАСНО !

- ▶ Общее обозначение непосредственной опасной ситуации, которая влечет за собой тяжелые травмы или смертельный исход.



ПРЕДУПРЕЖДЕНИЕ

ПРЕДУПРЕЖДЕНИЕ !

- ▶ Общее обозначение потенциально опасной ситуации, которая может повлечь за собой тяжелые травмы или смертельный исход.









ОСТОРОЖНО

ОСТОРОЖНО !

- ▶ Общее обозначение потенциально опасной ситуации, которая может повлечь за собой травмы или повреждение оборудования (материальный ущерб).

1.2.2 Символы, используемые в руководстве

В этом руководстве используются следующие символы:

| | |
|---|---|
|  | Соблюдать руководство по эксплуатации |
|  | Указания по эксплуатации и другая полезная информация |
|  | Обращение с материалами, пригодными для вторичной переработки |
|  | Не выбрасывайте электроинструменты и аккумуляторы вместе с обычным мусором! |
|  | Hilti Литий-ионный аккумулятор (Li-Ion) |
|  | Зарядное устройство Hilti |

1.2.3 Символы на изображениях

На изображениях используются следующие символы:

| | |
|-----------|--|
| 2 | Эти цифры указывают на соответствующее изображение в начале данного руководства. |
| 3 | Нумерация на изображениях отображает порядок выполнения рабочих операций и может отличаться от нумерации, используемой в тексте. |
| 11 | Номера позиций используются в обзорном изображении. В обзоре изделия они указывают на номера в экспликации. |





Этот знак должен привлечь особое внимание пользователя при обращении с изделием.

1.3 Символы в зависимости от инструмента

1.3.1 Символы на изделии

На изделии могут использоваться следующие символы:

| | |
|--------|---|
| | Общий предписывающий знак |
| | Используйте защитные очки |
| | Используйте защитные наушники |
| | Используйте защитную каску |
| | Изделие поддерживает технологию NFC, совместимую с платформами iOS и Android. |
| Li-Ion | Литий-ионный аккумулятор |
| | Никогда не используйте аккумулятор в качестве ударного инструмента. |
| | Не допускайте падения аккумулятора. Не используйте аккумулятор, который получил повреждения вследствие удара или каким-либо иным образом. |

1.4 Информация о шлифмашине

Шлифмашины предназначены для профессионального использования, поэтому они должны обслуживаться и ремонтироваться только уполномоченным и обученным персоналом. Этот персонал должен пройти специальный инструктаж по технике безопасности. Использование шлифмашины и ее оснастки не по назначению или ее эксплуатация необученным персоналом могут представлять опасность.

Типовое обозначение и серийный номер указаны на заводской табличке.

- Перепишите серийный номер в нижеприведенную табличную форму. Данные шлифмашины необходимы при обращении в наше представительство или сервисный центр.

Указания к изделию

| | |
|--------------------|----------------------------------|
| Монтажный пистолет | BX 3-22 BX 3-L-22 BX 3-ME-22 |
| Поколение | 03 |
| Серийный № | |

1.5 Декларация соответствия нормам

Настоящим фирма-изготовитель с полной ответственностью заявляет, что данное изделие соответствует действующим директивам и нормам. Копию декларации соответствия нормам см. в конце этого документа.

Техническая документация (оригиналы) хранится здесь:

Hilti Entwicklungsgesellschaft mbH | Zulassung Geräte | Hiltistraße 6 | 86916 Kaufering, Германия

2 Безопасность

2.1 Общие указания по технике безопасности для электроинструментов

⚠ ПРЕДУПРЕЖДЕНИЕ Изучите все указания по технике безопасности, инструкции, иллюстрации и технические данные, которые прилагаются к данному электроинструменту. Несоблюдение приводимых ниже указаний может привести к поражению электрическим током, пожару и/или тяжелым травмам.

Сохраните все указания по технике безопасности и инструкции для следующего пользователя.

Используемый далее термин «электроинструмент» относится к электроинструменту, работающему от электрической сети (с кабелем электропитания) и от аккумулятора (без кабеля электропитания).



Безопасность рабочего места

- ▶ Следите за чистотой и хорошей освещенностью на рабочем месте. Беспорядок на рабочем месте или плохое освещение могут привести к несчастным случаям.
- ▶ Не используйте электроустройство/электроинструмент во взрывоопасной зоне, где имеются горючие жидкости, газы или пыль. При работе электроустройство/электроинструмент искрит, и искры могут воспламенить пыль или пары/газы.
- ▶ Не разрешайте детям и посторонним приближаться к работающему электроустройству/электроинструменту. Отвлекаясь от работы, можно потерять контроль над электроустройством/электроинструментом.

Электрическая безопасность

- ▶ Соединительная вилка электроинструмента должна соответствовать розетке электросети. Не изменяйте конструкцию вилки! Не используйте переходные вилки с электроинструментами с защитным заземлением. Использование оригинальных вилок и соответствующих им розеток снижает риск поражения электрическим током.
- ▶ Избегайте непосредственного контакта с заземленными поверхностями, например с трубами, отопительными приборами, газо/электрорепластами и холодильниками. При контакте с заземленными предметами возникает повышенный риск поражения электрическим током.
- ▶ Предохраняйте электроинструменты от дождя или воздействия влаги. В результате попадания воды в электроинструмент возрастает риск поражения электрическим током.
- ▶ Не используйте кабель электропитания не по назначению, например для переноски электроинструмента, его подвешивания или для выдергивания вилки из розетки электросети. Защищайте кабель электропитания от воздействий высоких температур, масла, острых кромок или вращающихся деталей/узлов. В результате повреждения или схлестывания кабелей электропитания повышается риск поражения электрическим током.
- ▶ Если работы с электроинструментом выполняются на открытом воздухе, применяйте только удлинительные кабели, которые разрешено использовать вне помещений. Использование удлинительного кабеля, пригодного для использования вне помещений, снижает риск поражения электрическим током.
- ▶ Если избежать работы с электроинструментом в условиях влажности не представляется возможным, используйте автомат защиты от тока утечки. Использование автомата защиты от тока утечки снижает риск поражения электрическим током.

Безопасность персонала

- ▶ Будьте внимательны, следите за своими действиями и серьезно относитесь к работе с электроинструментом. Не пользуйтесь электроинструментом, если вы устали или находитесь под действием наркотиков, алкоголя или медикаментов. Незначительная ошибка при внимательной работе с электроинструментом может стать причиной серьезного травмирования.
- ▶ Используйте средства индивидуальной защиты и всегда надевайте защитные очки. Использование средств индивидуальной защиты, например респиратора, защитной обуви на нескользящей подошве, защитной каски или защитных наушников, в зависимости от вида и условий эксплуатации электроинструмента, снижает риск травмирования.
- ▶ Избегайте непреднамеренного включения электроинструмента. Убедитесь в том, что электроинструмент выключен, прежде чем подключить его к электропитанию и/или вставить аккумулятор, поднимать или переносить электроинструмент. Ситуации, когда при переноске электроинструмента палец находится на выключателе или когда включенный электроинструмент подключается к электросети, могут привести к несчастным случаям.
- ▶ Перед включением электроинструмента удалите регулировочные приспособления или гаечные ключи. Рабочий инструмент или гаечный ключ, находящийся во вращающейся части электроинструмента, может стать причиной получения травм.
- ▶ Старайтесь избегать неестественных поз при работе. Постоянно сохраняйте устойчивое положение и равновесие. Это позволит лучше контролировать электроинструмент в непредвиденных ситуациях.
- ▶ Носите спецодежду. Не надевайте очень свободную одежду или украшения. Оберегайте волосы, одежду и защитные перчатки от вращающихся узлов электроинструмента. Свободная одежда, украшения и длинные волосы могут быть захвачены ими.
- ▶ Если предусмотрено подсоединение устройств для удаления и сбора пыли, убедитесь в том, что они подсоединены и используются по назначению. Использование пылеудаляющего аппарата снижает вредное воздействие пыли.
- ▶ Не пребывайте в ложной уверенности в собственной безопасности и не пренебрегайте правилами техники безопасности для электроинструментов, даже если вы являетесь опытным



пользователем электроинструмента. Неосторожное обращение может в течение долей секунды стать причиной получения тяжелых травм.

Использование и обслуживание электроинструмента

- ▶ **Не допускайте перегрузки электроинструмента.** Используйте электроинструмент, предназначенный именно для данной работы. Соблюдение этого правила обеспечит более высокое качество и безопасность работы в указанном диапазоне мощности.
- ▶ **Не используйте электроинструмент с неисправным выключателем.** Электроинструмент, включение или выключение которого затруднено, представляет опасность и должен быть отремонтирован.
- ▶ **Прежде чем приступить к регулировке электроинструмента, замене принадлежностей или перед перерывом в работе выньте вилку из розетки и/или аккумулятор из электроинструмента.** Данная мера предосторожности позволит предотвратить непреднамеренное включение электроинструмента.
- ▶ **Храните неиспользуемые электроинструменты в местах, недоступных для детей.** Не позволяйте использовать электроинструмент лицам, которые не ознакомлены с ним или не читали эти инструкции. Электроинструменты представляют собой опасность в руках неопытных пользователей.
- ▶ **Бережно обращайтесь с электроинструментами и принадлежностями.** Проверяйте безупречное функционирование подвижных частей, легкость их хода, целостность и отсутствие повреждений, которые могли бы отрицательно повлиять на работу электроинструмента. Сдавайте поврежденные части электроинструмента в ремонт до его использования. Причиной многих несчастных случаев является несоблюдение правил технического обслуживания электроинструментов.
- ▶ **Необходимо следить за тем, чтобы режущие инструменты были острыми и чистыми.** Заклинивание содержащихся в надлежащем состоянии режущих инструментов происходит реже, ими легче управлять.
- ▶ **Применяйте электроинструмент, принадлежности (оснастку), рабочие инструменты и т. д. согласно данным указаниям.** Учитывайте при этом рабочие условия и характер выполняемой работы. Использование электроинструментов не по назначению может привести к опасным ситуациям.
- ▶ **Замасленные рукоятки и поверхности для хвата немедленно очищайте — они должны быть сухими и чистыми.** Скользкие рукоятки и поверхности для хвата не обеспечивают безопасное управление и контроль электроинструмента в непредвиденных ситуациях.

Использование и обслуживание аккумуляторного инструмента

- ▶ **Заряжайте аккумулятор только с помощью зарядных устройств, рекомендованных изготовителем.** При использовании зарядного устройства для зарядки несоответствующих ему типов аккумуляторов существует опасность возгорания.
- ▶ **Используйте только оригинальные аккумуляторы, рекомендованные специально для этого электроинструмента.** Использование других аккумуляторов может привести к травмам и опасности возгорания.
- ▶ **Неиспользуемые аккумуляторы храните вдали от скрепок, монет, ключей, гвоздей, шурупов или других мелких металлических предметов, которые могут стать причиной замыкания контактов.** Замыкание контактов аккумулятора может привести к ожогам или возгоранию.
- ▶ **При неверном обращении с аккумулятором из него может вытечь электролит.** Избегайте контакта с ним. При случайном контакте смойте водой. При попадании электролита в глаза немедленно обратитесь за помощью к врачу. Вытекший из аккумулятора электролит может привести к раздражению кожи или ожогам.
- ▶ **Не используйте поврежденный или измененный аккумулятор.** Поврежденные или измененные аккумуляторы могут функционировать непредсказуемо и стать причиной возгорания, взрыва или травмирования.
- ▶ **Не подвергайте аккумулятор воздействию огня или слишком высоких температур.** Огонь или температура свыше 130 °C могут спровоцировать взрыв аккумулятора.
- ▶ **Соблюдайте все указания по зарядке и никогда не заряжайте аккумулятор или аккумуляторный инструмент вне температурного диапазона, указанного в руководстве по эксплуатации.** Неправильная зарядка/зарядка вне указанного в руководстве по эксплуатации температурного диапазона могут привести к разрушению аккумулятора и повышают опасность возгорания.

Сервис

- ▶ **Доверяйте ремонт своего электроинструмента только квалифицированному персоналу, использующему только оригинальные запчасти.** Этим обеспечивается поддержание электроинструмента в безопасном состоянии.



- ▶ **Категорически запрещается выполнять обслуживание поврежденных аккумуляторов.** Все технические работы с аккумуляторами должны выполняться только производителем или авторизованными сервисными мастерами.

2.2 Указания по технике безопасности для крепежных инструментов

- ▶ **Всегда исходите из того, что в электроинструменте находятся гвозди.** Беспечное обращение с крепежным инструментом может привести к его неожиданному срабатыванию (выстреливанию гвоздей) и вы можете получить травмы.
- ▶ **Не направляйте электроинструмент на себя или других лиц вблизи вас.** Вследствие неожиданного срабатывания возможно выстреливание гвоздя, что может стать причиной травмирования.
- ▶ **Не приводите электроинструмент в действие, пока он не будет плотно прижат к заготовке.** Если электроинструмент не имеет контакта с заготовкой, гвоздь может отскочить от места крепления.
- ▶ **Отсоединяйте электроинструмент от э/сети или извлекайте аккумулятор в случае заедания гвоздя в электроинструменте.** Если крепежный инструмент останется подключенным (будет продолжать запитываться от источника э/питания), то при удалении плотно засевшего гвоздя он может случайно сработать.
- ▶ **Будьте осторожны при удалении плотно засевшего гвоздя.** Система может находиться под внутренним напряжением и гвоздь может с силой вылететь из крепежного инструмента, пока вы будете пытаться устранить причину его заедания.
- ▶ **При креплении электропроводки убедитесь в том, что она не находится под напряжением. Берите крепежный инструмент только за изолированные поверхности. Используйте только такие гвозди, которые подходят для электромонтажных работ. Проверьте, не повредил ли гвоздь изоляцию электропроводки.** Гвоздь, который повредил изоляцию электропроводки, может находиться под напряжением и стать причиной удара электрического тока и возгорания.

2.3 Указания по технике безопасности

Требования к пользователю

- ▶ Эксплуатация или техническое обслуживание этого инструмента разрешаются при наличии соответствующего допуска и после прохождения специального инструктажа.

Средства индивидуальной защиты

- ▶ Пользователь и находящиеся вблизи лица во время выполнения работ должны носить подходящие защитные очки, защитные наушники и защитные каски.

Безопасность персонала

- ▶ Соблюдайте предписания по эксплуатации, уходу и техническому обслуживанию инструмента, приведенные в настоящем руководстве по эксплуатации.
- ▶ Будьте внимательны, следите за своими действиями и серьезно относитесь к работе с монтажным пистолетом. Не пользуйтесь инструментом, если вы устали или находитесь под действием наркотиков, алкоголя или медикаментов. Немедленно прекратите работу в случае недомогания. Незначительная ошибка при невнимательной работе с монтажным пистолетом может стать причиной серьезного травмирования.
- ▶ При выполнении работ выбирайте удобное положение тела, не работайте в неудобных позах. При выполнении работ выбирайте устойчивую позу и сохраняйте равновесие.
- ▶ Пользуйтесь обувью с нескользящей подошвой.
- ▶ Никогда не оттягивайте направляющую крепежа рукой назад.
 - ▶ При вытягивании направляющей крепежа или крепежного элемента рукой назад в некоторых случаях инструмент можно привести в состояние готовности. При этом существует риск случайно выстрелить в себя.
- ▶ При срабатывании инструмента держите руки согнутыми (не выпрямленными).
- ▶ В зоне действия инструмента не должно находиться посторонних лиц, особенно детей.
- ▶ Опасность травмирования вследствие падения инструментов и/или принадлежностей. Перед началом работы убедитесь в том, что аккумулятор и установленная принадлежность надежно закреплены.
- ▶ Всегда следите за чистотой вентиляционных прорезей. Опасность возгорания вследствие перекрытия вентиляционных прорезей!
- ▶ Запрещается прямой визуальный контакт со светодиодной подсветкой электроинструмента! Не светите в лицо другим людям — опасность временного ослепления!



Бережное обращение с монтажными пистолетами и их правильная эксплуатация

- ▶ Опасность вследствие выступающих крепежных элементов! Перед забиванием крепежных элементов убедитесь в отсутствии людей за элементом конструкции, в который выполняется забивание, или под ним.
- ▶ Используйте подходящий инструмент для выполнения своей работы. Применяйте его только по назначению и только в исправном состоянии.
- ▶ Никогда не оставляйте заряженный монтажный пистолет без присмотра.
- ▶ Всегда разряжайте инструмент перед чистой, сервисным и профилактическим обслуживанием, при замене направляющей крепежа, перерывом в работе, а также перед тем, как убрать его на хранение (извлекайте крепежные элементы).
- ▶ Неиспользуемые инструменты храните в разряженном состоянии в сухом и недоступном (закрываемом на замок) для детей месте.
- ▶ Проверяйте инструмент и принадлежности на отсутствие возможных повреждений. Подвижные детали должны функционировать свободно, без заеданий; проверьте их на отсутствие повреждений.
 - ▶ Все детали должны быть правильно установлены и отвечать всем условиям, обеспечивающим исправную работу инструмента. Поврежденные детали подлежат ремонту или замене в сервисном центре **Hilti**, если в данном руководстве нет иных указаний.
- ▶ Перед началом работы проверяйте рабочее место на наличие скрытой электропроводки, газо- и водопроводных труб. Открытые металлические части электроинструмента могут стать проводниками электрического тока или привести к взрыву, если случайно задеть (повредить) электропроводку, газо- или водопровод.
- ▶ Не забивайте крепежные элементы в неподходящий базовый материал.
 - ▶ Не забивайте крепежные элементы в сварную и литую сталь, чугун, стекло, мрамор, пластмассу, бронзу, латунь, медь, изоляционные материалы, пустотелый кирпич, керамочерепицу, тонкий листовой металл (< 4 мм) и газобетон. При забивании в подобные материалы крепежный элемент может сломаться сам, разломать базовый материал или пробить его насквозь.
- ▶ Нажимайте на спусковой крючок, только когда инструмент прижат к базовому материалу строго вертикально.
- ▶ При забивании всегда держите инструмент под прямым углом к основанию во избежание схода крепежного элемента с поверхности основания.
- ▶ Замасленные рукоятки немедленно очищайте, они должны быть сухими и чистыми (без следов масла и смазки).
- ▶ Никогда не оставляйте инструмент без присмотра.
- ▶ Не используйте магазин инструмента в качестве рукоятки.
- ▶ Не используйте инструмент там, где существует опасность пожара или взрыва, если на это нет специального разрешения.
- ▶ Не забивайте крепежные элементы в имеющиеся отверстия, если только это не рекомендовано со стороны **Hilti** (например, DX-Kwik).

Меры безопасности для механического оборудования

- ▶ Не выполняйте никаких недопустимых действий с инструментом и не изменяйте его конструкционные параметры (в частности, поршневой механизм).
- ▶ Для монтажа с помощью этого инструмента используйте только подходящие и разрешенные крепежные элементы.

Правила техники безопасности (термозащита)

- ▶ Не превышайте максимально допустимую частоту забивания.
- ▶ Дайте инструменту остыть, если он перегрет.
- ▶ Не демонтируйте монтажный пистолет, если он сильно нагрет. Дайте электроинструменту остыть.

2.4 Аккуратное обращение с аккумуляторами и их правильное использование

- ▶ **Соблюдайте следующие указания по технике безопасности для безопасного обращения и использования литий-ионных аккумуляторов.** Их несоблюдение может привести к раздражениям кожи, серьезным травмам, химическим ожогам, возгоранию и/или взрывам.
- ▶ Используйте аккумуляторы только в технически исправном состоянии.
- ▶ Обращайтесь с аккумуляторами осторожно, чтобы не допустить повреждений и предотвратить выход жидкостей, представляющих серьезную опасность для здоровья!
- ▶ Категорически запрещается вносить изменения в конструкцию аккумуляторов или выполнять недопустимые манипуляции с ними!



- ▶ Запрещается разбирать, сдавливать, нагревать до температуры свыше 80 °С или сжигать аккумуляторы.
- ▶ Не используйте или не заряжайте аккумуляторы, которые подвергались механическому (ударным) нагрузкам или получили повреждение каким-либо иным образом. Регулярно проверяйте используемые вами аккумуляторы на признаки повреждений.
- ▶ Категорически запрещается использовать восстановленные аккумуляторы или аккумуляторы после вторичной переработки.
- ▶ Категорически запрещается использовать аккумулятор или работающие от аккумулятора электроинструменты в качестве ударного инструмента.
- ▶ Категорически запрещается подвергать аккумуляторы воздействию прямого солнечного излучения, высокой температуры, искр или открытого пламени. Это может привести к взрывам.
- ▶ Не касайтесь аккумуляторных клемм (полюсов) пальцами, рабочими инструментами, украшениями или иными токопроводящими предметами. Это можно повредить аккумулятор, а также привести к материальному ущербу и травмам.
- ▶ Предохраняйте аккумуляторы от дождя, повышенной влажности и жидкостей. Проникшая влага может привести к коротким замыканиям, ударам электрическим током, ожогам, возгоранию или взрывам.
- ▶ Используйте только допущенные для данного типа аккумуляторов зарядные устройства и электроинструменты. Соблюдайте указания, приводимые в соответствующих руководствах по эксплуатации.
- ▶ Не используйте или не храните аккумулятор во взрывоопасных зонах.
- ▶ Слишком сильный нагрев аккумулятора (такой, что до него невозможно дотронуться) указывает на его возможный дефект. Разместите аккумулятор на безопасном расстоянии от воспламеняющихся материалов в хорошо просматриваемом и пожаробезопасном месте. Дайте остыть аккумулятору. Если по истечении одного часа аккумулятор все еще остается таким горячим, что его нельзя взять в руки, это означает, что он неисправен. Обратитесь в сервисную службу **Hilti** или изучите документ «Указания по технике безопасности и использованию литий-ионных аккумуляторов **Hilti**».



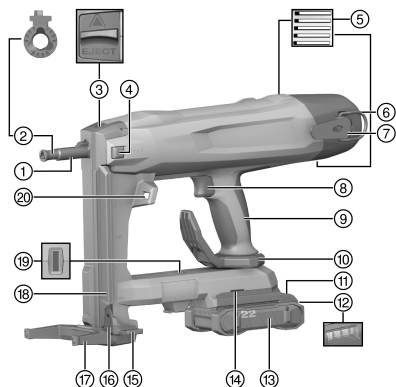
Соблюдайте специальные директивы по транспортировке, хранению и использованию литий-ионных аккумуляторов.

Ознакомьтесь с указаниями по технике безопасности и использованию литий-ионных аккумуляторов **Hilti**, которые можно посмотреть путем сканирования QR-кода в конце этого руководства по эксплуатации.



3 Описание

3.1 Обзор инструмента



- ① Головка инструмента
- ② Направляющая крепежа
- ③ Блокиратор направляющей крепежа
- ④ Кнопка режима отдельного забивания (BX 3-ME-22)
- ⑤ Вентиляционные прорези
- ⑥ Проушина для удерживающего троса инструмента
- ⑦ Крепежный крючок
- ⑧ Предохранитель (для блокировки включения)
- ⑨ Рукоятка
- ⑩ Крепежный крючок/крючок для подвеса
- ⑪ Кнопка деблокировки аккумулятора
- ⑫ Индикатор статуса аккумулятора
- ⑬ Литий-ионный аккумулятор (Li-Ion)
- ⑭ Монтажное отверстие для принадлежностей
- ⑮ Рычаг подачи гвоздя
- ⑯ Деблокиратор рычага подачи гвоздя
- ⑰ Опора
- ⑱ Магазин
- ⑲ Индикатор статуса монтажного пистолета
- ⑳ Подсветка рабочей зоны

3.1.1 Оснащение

Направляющая крепежа и опора зависят от изделия. В нижеуказанной таблице показана опора и направляющая крепежа, которой оснащено изделие.

Дополнительную информацию см. на крышке кейса, в **Hilti Store** или на **www.hilti.group**

| Изделие | BX 3-22 | BX 3-L-22 | BX 3-ME-22 |
|----------------------|---------------|---------------|---------------|
| Направляющая крепежа | X-FG B3 IF 02 | X-FG B3 IF 02 | X-FG B3 ME |
| Опора | X-SL B3 03 | X-SL B3 03 | X-SL B3 ME 03 |

3.2 Использование по назначению

Этот инструмент представляет собой ручной аккумуляторный монтажный пистолет. Он предназначен для забивания специальных крепежных элементов в бетон, сталь, кирпичную кладку, силикатный кирпич и другие, подходящие для непосредственного монтажа, базовые материалы. Это изделие также подходит для крепления электропроводки зажимами, если для этого используются подходящие крепежные элементы. Используйте только допущенные крепежные элементы вместе с предназначенной для них направляющей крепежа (см. главу «Технические данные»).

Монтажный пистолет, аккумулятор и крепежные элементы образуют единый технический блок. Это означает, что надлежащее крепление с использованием данного крепежного инструмента обеспечивается лишь в том случае, если при этом используются специально изготовленные для этого крепежные элементы **Hilti** и рекомендованные **Hilti** зарядные устройства и аккумуляторы. Только при выполнении этих условий имеют силу рекомендации фирмы **Hilti** по креплению и использованию инструмента.

- ▶ Допускается только ручное использование монтажного пистолета.
- ▶ Следует исключить ошибочные манипуляции. Под ошибочными манипуляциями понимается выполнение забиваний в очень мягкие материалы (например, в древесину) и в очень твердое основание (например, в высокопрочную сталь или очень твердый природный камень).
- Для этого электроинструмента используйте только литий-ионные аккумуляторы **Hilti** Nuron серии B 22. Для обеспечения оптимальной мощности **Hilti** рекомендует использовать с этим электроинструментом аккумуляторы, указанные в таблице в конце этого руководства по эксплуатации.



- Для зарядки этих аккумуляторов используйте только зарядные устройства **Hilti**, указанные в таблице в конце этого руководства по эксплуатации.

3.3 Устройства обеспечения безопасности

При использовании магазина функция распознавания гвоздя предотвращает ошибочные забивания, которые могут стать причиной повреждения монтажного пистолета.

Предохранитель контактного давления предотвращает случайное забивание гвоздей. При выполнении работ с магазином монтажный пистолет может прижиматься и срабатывать только с установленным гвоздем.

3.4 Особенности комплектации

Монтажный пистолет оснащен эргономичной, нескользящей и вибропоглощающей рукояткой, крепким крючком/крючком для подвеса, а также опорной подошвой. Монтажный пистолет оснащается электронной системой защиты от перегрузки и функцией контроля температуры для защиты электродвигателя от перегрева.

3.5 Индикатор статуса монтажного пистолета

Индикация статуса служит для информирования о состояниях монтажного пистолета.

| Состояние | Значение |
|--|---|
| Светодиод не горит | Монтажный пистолет выключен |
| Светодиод горит зеленым. | Монтажный пистолет включен и готов к работе |
| Светодиод мигает зеленым. | Аккумулятор слишком горячий/слишком низкий уровень заряда аккумулятора |
| Светодиод мигает зеленым через каждые 3 с. | Монтажный пистолет находится в режиме ожидания (Stand-by), при прижме головки инструмента монтажный пистолет включается |
| Светодиод горит синим. | Монтажный пистолет включен, следует доустановить ленты с гвоздями |
| Светодиод мигает синим. | Монтажный пистолет включен, магазин полностью разряжен |
| Светодиод мигает желтым. | Монтажный пистолет слишком горячий, см. таблицу неисправностей |
| Светодиод мигает красным. | Неисправность инструмента, см. таблицу неисправностей |
| Светодиод горит непрерывно. | Неисправность инструмента, см. таблицу неисправностей |

3.6 Индикации состояния литий-ионного аккумулятора

Литий-ионные аккумуляторы **Hilti** Nuron оснащены светодиодами для индикации уровня заряда, сигналов ошибки и состояния батареи.

3.6.1 Индикация уровня заряда и сигналов ошибки



ПРЕДУПРЕЖДЕНИЕ

Опасность травмирования вследствие падения аккумулятора!

- При вставленном аккумуляторе путем нажатия кнопки разблокировки убедитесь в правильной повторной фиксации аккумулятора в используемом электроинструменте.

Для получения одной из следующих индикаций коротко нажмите кнопку разблокировки аккумулятора. Уровень заряда, а также возможные неисправности также отображаются в течение всего времени, пока подключенный (к аккумулятору) электроинструмент включен.

| Состояние | Значение |
|---|----------------------------------|
| Четыре (4) светодиода непрерывно горят зеленым. | Уровень заряда: от 100 % до 71 % |
| Три (3) светодиода непрерывно горят зеленым. | Уровень заряда: от 70 % до 51 % |



| Состояние | Значение |
|---|--|
| Два (2) светодиода непрерывно горят зеленым. | Уровень заряда: от 50 % до 26 % |
| Один (1) светодиод непрерывно горит зеленым. | Уровень заряда: от 25 % до 10 % |
| Один (1) светодиод мигает зеленым с низкой частотой. | Уровень заряда: < 10 % |
| Один (1) светодиод мигает зеленым с высокой частотой. | Литий-ионный аккумулятор полностью разряжен. Зарядите аккумулятор. Если светодиод после зарядки аккумулятора все еще мигает с высокой частотой, обратитесь в сервисную службу Hilti . |
| Один (1) светодиод мигает желтым с высокой частотой. | Литий-ионный аккумулятор или подключенный к нему электроинструмент перегружены, слишком горячие, слишком холодные или имеет место другая ошибка. Обеспечьте доведение электроинструмента и аккумулятора до рекомендуемой рабочей температуры и не перегружайте электроинструмент при его использовании. Если сигнал остается, обратитесь в сервисную службу Hilti . |
| Один (1) светодиод горит желтым. | Литий-ионный аккумулятор и сопряженный с ним электроинструмент не совместимы друг с другом. Обратитесь в сервисный центр Hilti . |
| Один (1) светодиод мигает красным с высокой частотой. | Литий-ионный аккумулятор заблокирован и его дальнейшее использование невозможно. Обратитесь в сервисный центр Hilti . |

3.6.2 Индикаторы состояния аккумулятора

Для запроса состояния аккумулятора удерживайте кнопку разблокировки нажатой в течение более 3 с. Система не распознает потенциальное нарушение работы аккумуляторной батареи вследствие неправильного обращения, например, падения, проколов, внешнего термического воздействия и т. д.

| Состояние | Значение |
|---|---|
| Все светодиоды загораются в виде бегущего огня, после чего один (1) светодиод горит зеленым. | Аккумулятор можно продолжать использовать. |
| Все светодиоды загораются в виде бегущего огня, после чего один (1) светодиод мигает желтым с высокой частотой. | Не удалось завершить запрос состояния аккумулятора. Повторите процесс или обратитесь в сервисную службу Hilti . |
| Все светодиоды загораются в виде бегущего огня, после чего один (1) светодиод горит красным. | В случае возможности дальнейшего использования подключенного электроинструмента оставшаяся емкость аккумулятора составляет ниже 50 %. Если подключенный электроинструмент больше использовать невозможно, ресурс аккумулятора исчерпан и аккумулятор следует заменить. Обратитесь в сервисный центр Hilti . |

3.7 Bluetooth® (опция)

Словесный знак Bluetooth® и графические знаки (логотипы) являются зарегистрированными товарными знаками и собственностью Bluetooth SIG, Inc. Любое использование этого словесного/графического знака акционерным обществом **Hilti** осуществляется по лицензии.

3.7.1 Использование по назначению

Это устройство оснащено низкоэнергетическим модулем Bluetooth®, который позволяет контролировать статус электроинструмента, а также передавать настройки и данные посредством технологии беспроводной передачи данных Bluetooth®, с помощью которой два устройства, оснащенные функцией Bluetooth, могут обмениваться данными между собой друг с другом на небольшом расстоянии.



Это устройство разработано для связи и обмена данными с мобильными телефонами и смартфонами **Hilti**. Инструмент может отправлять такие данные, как местоположение приемного конечного устройства, продолжительность работы, общее число применений, число применений за определенный период времени и временная отметка передачи данных. Информацию о доступных функциях при синхронизации см. в соответствующем (мобильном) приложении **Hilti** или в инструкции по эксплуатации используемого электроинструмента.

3.7.2 Передача данных через Bluetooth®

Интервал передачи может варьироваться в зависимости от доступного источника энергии инструмента. Дальность действия может сильно различаться в зависимости от внешних условий, в том числе от используемого приемного устройства. Внутри закрытых пространств и при наличии металлических барьеров (например, стены, стеллажи, кейсы и т. д.) зона действия Bluetooth® может заметно уменьшиться. В зависимости от внешней среды может потребоваться несколько интервалов передачи до момента распознавания электроинструмента.

Если электроинструмент не распознается, проверьте следующее:

Не слишком ли велико расстояние до мобильного устройства?

→ Уменьшите расстояние между мобильным конечным устройством и электроинструментом

3.7.3 Установка и настройка приложения

Для использования функций синхронизации сначала следует установить соответствующее приложение **Hilti**.

(1.) Загрузите мобильное приложение из соответствующего магазина приложений.



Потребуется наличие учетной записи пользователя в соответствующем магазине приложений.

(2.) После первого запуска приложения войдите в систему под своей учетной записью или зарегистрируйтесь.

(3.) На дисплее вашего мобильного конечного устройства отображаются все дальнейшие действия по подключению электроинструмента к мобильному устройству.



Сначала внимательно изучите инструкцию мобильного приложения. Это обеспечит вам лучшее понимание процесса подключения и использования функций синхронизации.

3.8 Защита от глубокого разряда

Для защиты литий-ионного аккумулятора от глубокого разряда инструмент оснащен функцией спящего режима. Это позволяет избежать глубокого разряда аккумулятора.

- Защита от глубокого разряда активируется через 360 мин.
- Для деактивации защиты от глубокого разряда извлеките аккумулятор и установите его снова.

3.9 Комплект поставки

Монтажный пистолет, руководство по эксплуатации.

Другие системные принадлежности, допущенные для использования с этим изделием, вы можете найти в **Hilti Store** или на сайте www.hilti.group

4 Технические данные

| | BX 3-22 | BX 3-L-22 | BX 3-ME-22 |
|---|-----------------|--------------------|-----------------|
| Масса по ЕРТА Procedure 01 без аккумулятора | 3,5 кг | 3,5 кг | 3,4 кг |
| Длина гвоздя (гвоздь для магазинной ленты) | 14 мм ... 30 мм | 14 мм ... 36 мм | 14 мм ... 24 мм |
| Длина гвоздя в режиме отдельного забивания | •/• | •/• | 30 мм ... 36 мм |
| Диаметр гвоздя | 3 мм | 2,75 мм ... 3,0 мм | 3 мм |



| | BX 3-22 | BX 3-L-22 | BX 3-ME-22 |
|--|----------------------------|----------------------------|----------------------------|
| Вместимость магазина | 30 гвоздей | 30 гвоздей | 20 гвоздей |
| Ход прижима | 12 мм | 12 мм | 12 мм |
| Усилие прижима | 50 Н ... 70 Н | 50 Н ... 70 Н | 50 Н ... 70 Н |
| Рекомендуемая макс. частота забивания при комнатной температуре | 700 забиваний/ч | 700 забиваний/ч | 700 забиваний/ч |
| Номинальное напряжение | 21,6 В | 21,6 В | 21,6 В |
| Максимальная излучаемая мощность Bluetooth® | 8 дБм | 8 дБм | 8 дБм |
| Диапазон частот Bluetooth | 2 402 МГц ... 2 480 МГц | 2 402 МГц ... 2 480 МГц | 2 402 МГц ... 2 480 МГц |
| Температура хранения | -20 °C ... 70 °C | -20 °C ... 70 °C | -20 °C ... 70 °C |
| Температура окружающей среды при эксплуатации | -17 °C ... 60 °C | -17 °C ... 60 °C | -17 °C ... 60 °C |

4.1 Аккумулятор

| | |
|--|---|
| Рабочее напряжение аккумулятора | 21,6 В |
| Масса аккумулятора | См. в конце этого руководства по эксплуатации |
| Температура окружающей среды при эксплуатации | -17 °C ... 60 °C |
| Температура хранения | -20 °C ... 40 °C |
| Температура аккумулятора в начале зарядки | -10 °C ... 45 °C |

4.2 Данные по шуму и вибрациям согласно EN 62841

Приводимые здесь значения уровня звукового давления и вибрации были измерены согласно стандартизированной процедуре измерения и могут использоваться для сравнения электроинструментов между собой. Они также подходят для предварительной оценки вредных воздействий.

Указанные данные применимы к основным областям применения электроинструмента. Однако, если электроинструмент используется для других целей, с другими рабочими (сменными) инструментами или в случае его неудовлетворительного технического обслуживания, данные могут быть иными. Вследствие этого в течение всего периода работы электроинструмента возможно значительное увеличение вредных воздействий.

Для точного определения вредных воздействий следует также учитывать промежутки времени, в течение которых электроинструмент находится в выключенном состоянии или работает вхолостую. Вследствие этого в течение всего периода работы электроинструмента возможно заметное уменьшение вредных воздействий.

Примите дополнительные меры безопасности для защиты пользователя от воздействия возникающего шума и/или вибраций, например: техническое обслуживание электроинструмента и рабочих (сменных) инструментов, сохранение тепла рук, правильная организация рабочих процессов.

Данные о шуме

| | | BX 3-22 | BX 3-L-22 | BX 3-ME-22 |
|---|--------------|----------------|------------------|-------------------|
| Среднее A-скорректированное значение уровня звуковой мощности (при забивании гвоздей) (L_{WA}) | Бетон | 96 дБ | 96 дБ | 96 дБ |
| | Сталь | 100 дБ | 100 дБ | 100 дБ |
| Среднее A-скорректированное значение уровня звукового давления (при забивании гвоздей) (L_{pA}) | Бетон | 85 дБ | 85 дБ | 85 дБ |
| | Сталь | 89 дБ | 89 дБ | 89 дБ |
| Погрешность приведенных выше значений уровня шума (K_{WA}, K_{pA}) | | 3 дБ | 3 дБ | 3 дБ |



Общие значения вибрации по одной оси (ось Z)

| | | VX 3-22 | VX 3-L-22 | VX 3-ME-22 |
|---|--------------|----------------------|----------------------|----------------------|
| Значение вибрации (при забивании гвоздей) с аккумулятором B22 55 (а_n) | Бетон | 2,5 м/с ² | 2,5 м/с ² | 2,5 м/с ² |
| | Сталь | 3,3 м/с ² | 3,3 м/с ² | 3,3 м/с ² |
| Значение вибрации (при забивании гвоздей) с аккумулятором B22 85 (а_n) | Бетон | 2,9 м/с ² | 2,9 м/с ² | 2,9 м/с ² |
| | Сталь | 3,5 м/с ² | 3,5 м/с ² | 3,5 м/с ² |
| Погрешность (K) | | 1,5 м/с ² | 1,5 м/с ² | 1,5 м/с ² |

5 Подготовка к работе

ПРЕДУПРЕЖДЕНИЕ

Опасность травмирования вследствие непреднамеренного пуска!

- ▶ Перед установкой аккумулятора убедитесь в том, что соответствующий электроинструмент выключен.
- ▶ Прежде чем приступить к регулировке электроинструмента или замене принадлежностей выньте аккумулятор из электроинструмента.

Соблюдайте указания по технике безопасности и предупреждающие указания, приводимые в данном документе и на изделии.

5.1 Зарядка аккумулятора

1. Перед зарядкой изучите руководство по эксплуатации зарядного устройства.
2. Убедитесь в том, что контакты аккумулятора и зарядного устройства чистые и сухие.
3. Заряжайте аккумулятор только в допущенном к эксплуатации зарядном устройстве. → страница 113

5.2 Установка аккумулятора

ПРЕДУПРЕЖДЕНИЕ

Опасность травмирования вследствие короткого замыкания или падения аккумулятора!

- ▶ Перед установкой аккумулятора убедитесь в чистоте его контактов и контактов электроинструмента.
- ▶ Всегда проверяйте, правильно ли зафиксирован аккумулятор.

1. Перед первым вводом в эксплуатацию полностью зарядите аккумулятор.
2. Прижмите аккумулятор так, чтобы он зафиксировался в аккумуляторном отсеке с характерным щелчком.
3. Проверьте надежность фиксации аккумулятора.

5.3 Извлечение аккумулятора

1. Нажмите кнопку деблокировки аккумулятора.
2. Извлеките аккумулятор из инструмента.

5.4 Снятие направляющей крепежа

1. Оттяните рычаг подачи гвоздя вниз до фиксации.
2. Разрядите магазин. → страница 122
3. Сдвиньте блокиратор направляющей крепежа в направлении стрелки до упора.
 - ▶ Направляющая крепежа разблокируется.
4. Извлеките направляющую крепежа.

5.5 Установка направляющей крепежа

1. Оттяните рычаг подачи гвоздя вниз до фиксации.
2. Разрядите магазин. → страница 122
3. Сдвиньте блокиратор направляющей крепежа в направлении стрелки до упора и удерживайте его в этой позиции.
4. Задвиньте направляющую крепежа до фиксации (должен раздаваться характерный щелчок) в головку крепежного инструмента.



5. Отпустите блокиратор направляющей крепежа.
 - ▶ Блокиратор направляющей крепежа вернется в среднее положение.
6. Проверьте надежность посадки направляющей крепежа, потянув за нее.

5.6 Безопасное выполнение работ с использованием крепежного крючка/крючка для подвеса 2

- ▶ Перед началом работы убедитесь в том, что крепежный/подвесной крючок надежно закреплен на инструменте.
- ▶ Используйте крепежный крючок/крючок для подвеса, пока в этом есть необходимость. Храните электроинструмент в безопасном месте, если вы не будете использовать его в течение долгого времени.

5.7 Защита от падения 3

ПРЕДУПРЕЖДЕНИЕ

Опасность травмирования вследствие падения электроинструмента и/или принадлежности!

- ▶ Используйте только предусмотренный для этого электроинструмента удерживающий трос **Hilti** для инструментов.
- ▶ Перед каждым использованием проверяйте точку крепления удерживающего троса для инструментов на возможные повреждения.
- ▶ Не закрепляйте удерживающий трос для инструментов на крепежном крючке. Не используйте крепежный крючок для подъема электроинструмента.



Соблюдайте национальные директивы по выполнению высотных работ.

Для защиты от падения используйте для этого электроинструмента только удерживающий трос для инструментов **Hilti** #2261970.

- ▶ Закрепляйте удерживающий трос на инструменте с помощью крючка-карабина только так, как показано на изображении. Проверяйте надежность фиксации крючка-карабина.
- ▶ Закрепляйте второй крючок-карабин на несущей конструкции. Проверяйте надежность фиксации крючка-карабина.



Соблюдайте указания из руководств по эксплуатации удерживающего троса для инструментов **Hilti**.

5.8 Оснащение для режима работы с магазином 4

ОСТОРОЖНО

Опасность защемления! Отскок рычага подачи гвоздя может привести к травмам и стать причиной повреждения монтажного пистолета.

- ▶ При оттягивании рычага подачи гвоздя вниз следите за тем, чтобы он надежно зафиксировался. Не допускайте отскока рычага подачи гвоздя.

1. Оттяните рычаг подачи гвоздя вниз до фиксации.
2. Дайте зайти ленте с гвоздями в магазин (макс. 3 ленты по 10 гвоздей в каждой).
3. Надежно придерживая рычаг подачи гвоздя, нажмите деблокиратор рычага подачи гвоздя.
4. Сдвиньте рычаг подачи гвоздя до его касания гвоздя.



5.9 Оснащение для режима отдельного забивания

BX 3-ME-22

ОСТОРОЖНО

Опасность защемления! Отскок рычага подачи гвоздя может привести к травмам и стать причиной повреждения монтажного пистолета.

► При оттягивании рычага подачи гвоздя вниз следите за тем, чтобы он надежно зафиксировался. Не допускайте отскока рычага подачи гвоздя.

1. Оттяните рычаг подачи гвоздя вниз до фиксации.
2. Дайте выйти ленте с гвоздями из магазина, и убедитесь в том, что магазин пуст.



Монтажный пистолет может быть поврежден, если перед забиванием в режиме отдельного забивания из магазина будут удалены не все гвозди.

3. Надежно придерживая рычаг подачи гвоздя, нажмите деблокиратор рычага подачи гвоздя.
4. Отведите рычаг подачи гвоздя назад.
5. Установите гвоздь в предназначенное для этого углубление в направляющей крепежа. Вы можете также установить затем на направляющую крепежа допущенный крепежный элемент.



Забивание с несколькими гвоздями в направляющей крепежа может стать причиной повреждения монтажного пистолета. При выполнении работ в режиме отдельного забивания оснащайте направляющую крепежа одним (не более!) гвоздем.

6. Нажмите переключатель режима отдельного забивания.
 - Он должен зафиксироваться с характерным щелчком.



Расфиксация переключателя режима отдельного забивания происходит при оттягивании рычага подачи гвоздя на несколько сантиметров вниз.

6 Управление

Соблюдайте указания по технике безопасности и предупреждающие указания, приводимые в данном документе и на изделии.

6.1 Использование опоры

На ровном базовом материале опора упрощает установку монтажного пистолета под прямым углом, т. е. при этом соблюдение перпендикулярной позиции необходимо отслеживать лишь в боковом направлении. На неровном базовом материале может потребоваться сложить опору, чтобы установить направляющую крепежа перпендикулярно базовому материалу.

6.1.1 Складывание опоры

1. Прижмите опору, чтобы расфиксировать ее из фиксированного положения.
2. Отведите опору назад.

6.1.2 Раскладывание опоры

ОСТОРОЖНО

Опасность защемления! При складывании/раскладывании опоры существует опасность защемления пальцев рук между опорой и корпусом.

► При складывании/раскладывании опоры держите монтажный пистолет за рукоятку.

1. Отведите опору вперед.
2. Нажмите на опору снизу, чтобы зафиксировать ее в разложенном положении.

6.2 Выключение Bluetooth (опция)

- Прижмите монтажный пистолет на 10 с к базовому материалу.
 - Через 6 с натяжение пружинного элемента ослабнет, что будет сопровождаться характерным звуком (удерживайте монтажный пистолет нажатым еще 4 с).
 - Индикатор статуса трижды мигнет синим светом.



- ▶ Трижды прозвучит шум двигателя.
- ▶ Дальнейшая передача данных станет невозможной.



При выполнении работ в помещениях/зданиях (например, в больнице), где использование Bluetooth не допускается, функцию Bluetooth можно деактивировать.

Для повторного включения Bluetooth извлеките аккумулятор и установите его снова.

6.3 Включение/выключение монтажного пистолета

6.3.1 Включение монтажного пистолета



ПРЕДУПРЕЖДЕНИЕ

Опасность травмирования! Не прижимайте монтажный пистолет к частям тела — это может привести к ошибочному срабатыванию электроинструмента, что, в свою очередь, может привести к серьезным травмам.

- ▶ **Никогда не прижимайте монтажный пистолет к руке или другой части тела.**

1. Заряжайте магазин в режиме работы с магазином. → страница 119
2. Вставьте аккумулятор. → страница 118
 - ▶ Индикатор статуса замигает зеленым светом с низкой частотой.



При работе с аккумулятором со сниженной мощностью монтажный пистолет выключается во избежание повреждения аккумуляторных элементов.

3. Для включения прижмите монтажный пистолет к подходящему базовому материалу.
 - ▶ Пружинный элемент монтажного пистолета натянется.
 - ▶ Индикатор статуса загорится зеленым.

6.3.2 Выключение монтажного пистолета

- ▶ Извлеките аккумулятор. → страница 118
- ▶ Натяжение пружинного элемента ослабнет (это можно услышать) и индикатор статуса погаснет.



Через 6 мин монтажный пистолет сгенерирует шум двигателя в качестве указания на то, что монтажный пистолет сейчас отключится. После срабатывания шума двигателя монтажный пистолет автоматически отключается.

6.4 Выполнение забивания



ПРЕДУПРЕЖДЕНИЕ

Опасность травмирования вследствие выступающих крепежных элементов (пробивания базового материала)!

- ▶ Перед забиванием крепежных элементов убедитесь в отсутствии людей за элементом конструкции, в который выполняется забивание, или под ним.



ПРЕДУПРЕЖДЕНИЕ

Опасность травмирования вследствие отлетающих деталей! Во время забивания существует опасность травмирования частей тела и глаз вследствие отлетающих от основания осколков (сколов) материала и отлетающих частей магазинной ленты.

- ▶ **Используйте средства индивидуальной защиты и всегда надевайте защитные очки и защитные перчатки.** Лица, находящиеся рядом с местом проведения работ, также должны надевать защитные очки и защитные каски.



ПРЕДУПРЕЖДЕНИЕ

Опасность травмирования! Не прижимайте монтажный пистолет к частям тела — это может привести к ошибочному срабатыванию электроинструмента, что, в свою очередь, может привести к серьезным травмам.

- ▶ **Никогда не прижимайте монтажный пистолет к руке или другой части тела.**

1. Выполните пробное забивание двух крепежных элементов в базовый материал.
2. Установите монтажный пистолет перпендикулярно базовому материалу и прижмите направляющую крепежа до упора.
 - ▶ Произойдет включение монтажного пистолета.



3. Выполните забивание путем нажатия предохранителя.
4. После выполнения выстрела полностью отведите монтажный пистолет с базового материала.



При удержании направляющей крепежа прижатой к базовому материалу в течение более 6 с без выполнения выстрела монтажный пистолет автоматически переключается в режим ожидания. Монтажный пистолет перезаряжается после повторной установки его головки на базовый материал.

6.5 Извлечение гвоздей при работе с использованием магазина

1. Оттяните рычаг подачи гвоздя вниз до фиксации.
2. Вытолкните гвозди вниз из магазина.
3. Надежно придерживая рычаг подачи гвоздя, нажмите дроблокиратор рычага подачи гвоздя.
4. Отведите рычаг подачи гвоздя в исходное положение.

6.6 Расфиксация заклинившего гвоздя



ПРЕДУПРЕЖДЕНИЕ

Опасность травмирования и повреждения монтажного пистолета. Использование неподходящих предметов вместо рекомендованной оригинальной оснастки Hilti может привести к травмированию и повредить монтажный пистолет.

- ▶ Для расфиксации заклинившего гвоздя используйте только рекомендованный набор выколоток.



ПРЕДУПРЕЖДЕНИЕ

Опасность травмирования вследствие отлетающих деталей! Забивание может привести к травмированию вследствие отлетающих деталей, если в области направляющей крепежа находятся посторонние частицы или в случае застревания крепежных элементов в направляющей крепежа.

- ▶ Никогда не пытайтесь устранить неисправности на монтажном пистолете посредством выполнения последующих выстрелов!



Отдельные гвозди могут застревать в направляющей крепежа. С помощью наборов бородков X-NP можно удалять заклинившие гвозди из направляющей крепежа. Нужную оснастку можно найти в ближайшем фирменном магазине Hilti или на www.hilti.group.

1. Извлеките направляющую крепежа (см. → страница 118).
2. Вставьте направляющую крепежа в зажимную втулку из набора бородков
3. С помощью бородка и молотка выбейте заклинивший гвоздь из направляющей крепежа.
4. Установите направляющую крепежа (см. → страница 118).

7 Уход и техническое обслуживание



ПРЕДУПРЕЖДЕНИЕ

Опасность травмирования при установленном аккумуляторе !

- ▶ Перед проведением любых работ по уходу и обслуживанию всегда извлекайте аккумулятор!

Уход за электроинструментом

- Удаляйте налипшую грязь с осторожностью.
- Осторожно очищайте вентиляционные прорези (при наличии) сухой мягкой щеткой.
- Очищайте корпус только слегка увлажненной тканью. Не используйте средства по уходу с содержанием силикона, поскольку они могут повредить пластиковые детали.
- Для очистки контактов электроинструмента используйте чистую сухую тряпку.

Уход за литий-ионными аккумуляторами

- Категорически запрещается использовать аккумулятор с забитыми вентиляционными прорезями. Осторожно очистите вентиляционные прорези сухой мягкой щеткой.



- Не допускайте чрезмерного запыления или загрязнения аккумулятора. Категорически запрещается подвергать аккумулятор чрезмерному воздействию влаги (например, опускать его в воду или оставлять под дождем).
Если аккумулятор промокнет, обращайтесь с ним, как с поврежденным. Поместите его в контейнер из негорючего материала и обратитесь в сервисную службу **Hilti**.
- Аккумулятор должен быть чистым, без следов масла и смазки. Не допускайте чрезмерного скопления пыли или грязи на аккумуляторе. Очищайте аккумулятор сухой мягкой кистью или чистой и сухой тряпкой. Не используйте средства по уходу с содержанием силикона, поскольку они могут повредить пластиковые детали.
Не прикасайтесь к контактам аккумулятора и не удаляйте с них смазку, нанесенную на заводе.
- Очищайте корпус только слегка увлажненной тканью. Не используйте средства по уходу с содержанием силикона, поскольку они могут повредить пластиковые детали.

Техническое обслуживание

- Регулярно проверяйте все видимые части электроинструмента на отсутствие повреждений, а элементы управления — на исправное функционирование.
- При повреждениях и/или функциональных сбоях не используйте электроинструмент. Незамедлительно сдайте электроинструмент для ремонта в сервисный центр **Hilti**.
- После ухода за электроинструментом и его технического обслуживания установите все защитные приспособления на место и проверьте их исправное функционирование.



Для обеспечения безопасной эксплуатации используйте только оригинальные запасные части и расходные материалы. Допущенные **Hilti** запасные части, расходные материалы и принадлежности для этого электроинструмента вы можете найти в **Hilti Store** или на: www.hilti.group

7.1 Очистка внутренней стороны головки инструмента

1. Снимите направляющую крепежа. → страница 118
2. Очистите внутреннюю сторону головки инструмента.
3. Установите направляющую крепежа. → страница 118

8 Транспортировка и хранение аккумуляторных инструментов и аккумуляторов

Транспортировка

ОСТОРОЖНО

Непреднамеренное включение в ходе транспортировки !

- ▶ При транспортировке своих электроинструментов всегда отсоединяйте от них аккумуляторы!
- ▶ Извлеките аккумуляторы.
- ▶ Храните и транспортируйте инструмент всегда в закрытом кейсе.
- ▶ Категорически запрещается транспортировать аккумуляторы без упаковки (бестарным способом). Во время транспортировки необходимо принять меры по защите аккумуляторов от сильных ударов и вибраций и изолировать их от любых токопроводящих материалов или других аккумуляторов, чтобы не допустить их контакта с клеммами других аккумуляторов и, как следствие этого, короткого замыкания. **Соблюдайте действующие предписания по транспортировке аккумуляторов.**
- ▶ Запрещается пересылать аккумуляторы по почте. Обратитесь в транспортно-экспедиционную компанию, если вы хотите переслать поврежденные аккумуляторы.
- ▶ Перед каждым использованием, а также перед длительной транспортировкой и после нее проверяйте электроинструмент и аккумуляторы на отсутствие повреждений.

Хранение

ПРЕДУПРЕЖДЕНИЕ

Непреднамеренное повреждение вследствие неисправных или протекающих аккумуляторов !

- ▶ При хранении своих электроинструментов всегда отсоединяйте от них аккумуляторы!
- ▶ По возможности храните электроинструмент и аккумуляторы в сухом и прохладном месте. Соблюдайте ограничения по температуре, приводимые в технических характеристиках.
- ▶ Не храните аккумуляторы на зарядном устройстве. После зарядки всегда извлекайте аккумулятор из зарядного устройства.
- ▶ Никогда не оставляйте аккумуляторы на солнце, на нагревательных/отопительных элементах или за стеклом.



- ▶ Храните электроинструмент и аккумуляторы в недоступном для детей и посторонних лиц месте.
- ▶ Перед каждым использованием, а также перед длительным хранением и после него проверяйте электроинструмент и аккумуляторы на отсутствие повреждений.

9 Помощь при неисправностях

Если не указано иное, все описанные световые сигналы относятся к индикатору состояния монтажного пистолета. При любых неисправностях следите за индикатором уровня заряда и неисправностей аккумулятора. См. главу **Индикации состояния литий-ионного аккумулятора**.

В случае неисправностей, которые не указаны в этой таблице или которые вы не можете устранить самостоятельно, обращайтесь в ближайший сервисный центр **Hilti**.

| Неисправность | Возможная причина | Решение |
|---|---|--|
| Индикатор статуса мигает зеленым светом. | Аккумулятор разряжен. | ▶ Замените аккумулятор. |
| Пружинный элемент не натягивается, индикатор статуса мигает зеленым. | Аккумулятор разряжен. | ▶ Замените аккумулятор. |
| Направляющая крепежа не прижимается, индикатор статуса горит зеленым . | Магазин разряжен. | ▶ Заряжайте магазин в режиме работы с магазином. → страница 119 |
| Направляющая крепежа не прижимается, индикатор статуса горит зеленым . | Заело рычаг подачи гвоздя. | ▶ Извлеките ленту с гвоздями из магазина и очистите магазин. |
| | В направляющей крепежа заело гвоздь. | ▶ Высвободите застрявший гвоздь. → страница 122 |
| Пружинный элемент натягивается с задержкой, индикатор статуса мигает синим, одновременно подается звуковой сигнал; после этого индикатор статуса горит синим в течение 6 мин. | Магазин разряжен. | ▶ Заряжайте магазин в режиме работы с магазином. → страница 119 |
| Пружинный элемент не натягивается дополнительно, индикатор статуса мигает желтым светом. | Перегрев (внутри) монтажного пистолета. | ▶ Дайте остыть монтажному пистолету. |
| | Слишком высокая температура аккумулятора. | ▶ Дайте остыть аккумулятору. |
| | Слишком низкая температура аккумулятора | ▶ Обеспечьте постепенный нагрев аккумулятора до комнатной температуры. |
| Пружинный элемент не натягивается, индикатор статуса мигает красным. | Неправильно установлена направляющая крепежа. | ▶ Установите направляющую крепежа. → страница 118 |
| Пружинный элемент не натягивается, индикатор статуса горит красным. | Сбой в работе инструмента | ▶ Обратитесь в сервисный центр Hilti . |
| Пружинный элемент не натягивается; отсутствует индикация статуса. | Аккумулятор разряжен. | ▶ Замените аккумулятор. |
| | Неправильно установлен аккумулятор. | ▶ Извлеките аккумулятор и правильно установите его обратно. → страница 118 |
| | Активирована защита от глубокого разряда. | ▶ Извлеките аккумулятор и установите его обратно. |
| Направляющую крепежа заело в прижатом состоянии. | Загрязнение между направляющей крепежа и головкой крепежного инструмента. | ▶ Очистите внутреннюю сторону головки инструмента. → страница 123 |



10 Утилізація

ПЕРЕДУПРЕЖДЕННЯ

Опасность травмирования вследствие неправильной утилизации! Опасность для здоровья вследствие выхода газов или жидкостей.

- ▶ Не пересылайте поврежденные аккумуляторы!
- ▶ Закрывайте аккумуляторные контакты не проводящим ток материалом, чтобы избежать коротких замыканий.
- ▶ Утилизируйте аккумуляторы так, чтобы исключить их попадание в руки детей.
- ▶ Утилизируйте аккумулятор через ближайший **Hilti Store** или обратитесь в специализированную фирму по утилизации.

Большинство материалов, из которых изготовлены изделия **Hilti**, подлежат вторичной переработке. Перед утилизацией следует тщательно рассортировать материалы (для удобства их последующей переработки). Во многих странах фирма **Hilti** уже организовала прием бывших в использовании электрических и электронных устройств (инструментов, приборов) для утилизации. Дополнительную информацию по этому вопросу можно получить в отделе по обслуживанию клиентов или у консультантов по продажам фирмы **Hilti**.



- ▶ Не выбрасывайте электрические инструменты, электронные устройства/приборы и аккумуляторы вместе с обычным мусором!

11 Гарантия производителя

- ▶ С вопросами по поводу гарантийных условий обращайтесь в ближайшее представительство **Hilti**.

12 Дополнительная информация

Дополнительную информацию относительно управления, технического оснащения, защиты окружающей среды и повторного использования см. по следующей ссылке: qr.hilti.com/manual?id=2268212&id=2268213

Эта ссылка также приводится в конце документа в виде QR-кода.

Оригінальна інструкція з експлуатації

1 Інформація про документацію

1.1 Інформація про цей документ

- Перш ніж розпочинати роботу з інструментом, прочитайте цей документ. Це є передумовою безпечної роботи та відсутності несправностей під час застосування інструмента.
- Дотримуйтеся попереджувальних вказівок та вказівок з техніки безпеки, наведених у цьому документі та на корпусі інструмента.
- Завжди зберігайте інструкцію з експлуатації поблизу інструмента та передавайте інструмент іншим особам лише разом з інструкцією.

1.2 Пояснення символів

1.2.1 Попереджувальні вказівки

Попереджувальні вказівки інформують користувача про фактори небезпеки, пов'язані із застосуванням інструмента. Використовуються такі сигнальні слова:

НЕБЕЗПЕКА

НЕБЕЗПЕКА !

- ▶ Указує на безпосередню небезпеку, що може призвести до отримання тяжких тілесних ушкоджень або навіть до смерті.



ПОПЕРЕДЖЕННЯ

ПОПЕРЕДЖЕННЯ !

- Указує на потенційно небезпечну ситуацію, яка може призвести до отримання тяжких тілесних ушкоджень або навіть смерті.

ОБЕРЕЖНО

ОБЕРЕЖНО !

- Указує на потенційно небезпечну ситуацію, яка може призвести до отримання тілесних ушкоджень або до матеріальних збитків.

1.2.2 Символи в інструкції з експлуатації

У цій інструкції з експлуатації використовуються такі символи:

| | |
|--|---|
| | Дотримуйтеся вказівок, наведених в інструкції з експлуатації |
| | Указівки щодо експлуатації та інша корисна інформація |
| | Поводження з матеріалами, придатними для вторинної переробки |
| | Не викидайте електроінструменти і акумуляторні батареї у баки для побутового сміття |
| | Hilti Літій-іонна акумуляторна батарея |
| | Hilti Зарядний пристрій |

1.2.3 Символи на ілюстраціях

На ілюстраціях використовуються такі символи:

| | |
|--|--|
| | Цифрами позначаються відповідні ілюстрації, наведені на початку цієї інструкції з експлуатації. |
| | Нумерація відображає послідовність робочих кроків на ілюстраціях та може відрізнитися від нумерації у тексті. |
| | Номера позицій, наведені на оглядовій ілюстрації , відповідають номерам у легенді, що представлена у розділі « Огляд продукту ». |
| | Цей символ позначає аспекти, на які слід звернути особливу увагу під час застосування інструмента. |

1.3 Символи, що обумовлені типом інструмента

1.3.1 Символи на інструменті

На інструменті можуть бути наведені такі символи:

| | |
|--|--|
| | Загальний наказовий знак |
| | Використовуйте захисні окуляри |
| | Використовуйте захисні навушники |
| | Використовуйте захисний шолом |
| | Інструмент підтримує технологію NFC та є сумісним із платформами iOS та Android. |
| | Літій-іонна акумуляторна батарея |
| | Ніколи не використовуйте акумуляторну батарею у якості ударного інструмента. |





Не допускайте падіння акумуляторної батареї. Не використовуйте акумуляторну батарею, яка зазнала ударного навантаження або була пошкоджена іншим чином.

1.4 Інформація про інструмент

Інструменти призначені для професійного використання, а тому їхню експлуатацію, технічне обслуговування та ремонт слід доручати лише авторизованому персоналу зі спеціальною підготовкою. Цей персонал повинен бути спеціально проінструктований про можливі ризики. Інструмент та допоміжне приладдя можуть стати джерелом небезпеки у разі їхнього неправильного застосування некваліфікованим персоналом або у разі використання не за призначенням.

Тип та серійний номер зазначені на заводській табличці.

- ▶ Перепишіть серійний номер у наведену нижче таблицю. При оформленні запитів до нашого представництва та до сервісної служби вказуйте інформацію про інструмент.

Інформація про інструмент

| | |
|--------------------|----------------------------------|
| Монтажний пістолет | BX 3-22 BX 3-L-22 BX 3-ME-22 |
| Версія | 03 |
| Серійний номер | |

1.5 Сертифікат відповідності

Виробник зі всією належною відповідальністю заявляє, що описаний у цьому документі інструмент відповідає чинному законодавству і стандартам. Копія сертифіката відповідності наведена у кінці цього документа.

Технічна документація зазначена нижче:

Hilti Entwicklungsgesellschaft mbH | Zulassung Geräte | Hiltistraße 6 | 86916 Kaufering, DE

2 Безпека

2.1 Загальні вказівки з техніки безпеки при роботі з електроінструментами

⚠ ПОПЕРЕДЖЕННЯ! Уважно прочитайте усі вказівки та інструкції з техніки безпеки, ознайомтеся з малюнками та технічними даними цього електроінструмента. Щонайменше недотримання наведених нижче вказівок може призвести до ураження електричним струмом, займання та/або отримання тяжких травм.

Збережіть всі інструкції та вказівки з техніки безпеки – вони можуть знадобитися Вам у майбутньому.

Термін «електроінструмент», який використовується у вказівках з техніки безпеки, позначає як електроінструменти, що працюють від електричної мережі (із кабелем живлення), так і електроінструменти, що працюють від акумуляторної батареї (без кабелю живлення).

Безпека на робочому місці

- ▶ **Дбайте про чистоту та достатнє освітлення робочого місця.** Безлад на робочому місці та недостатнє освітлення можуть стати причиною нещасних випадків.
- ▶ **Не працюйте з електроінструментом у вибухонебезпечному середовищі, що містить легкозаймисті рідини, гази або пил.** Під час роботи електроінструментів утворюються іскри, від яких можуть зайнятися легкозаймисті випари або пил.
- ▶ **Подбайте про те, щоб під час використання електроінструмента поблизу не було дітей та сторонніх осіб.** Щонайменше відволікання може призвести до втрати контролю над інструментом.

Електрична безпека

- ▶ **Штепсельна вилка електроінструмента повинна підходити до розетки живлення. Забороняється вносити зміни до конструкції штепсельної вилки. Не дозволяється застосовувати перехідні штепсельні вилки в електроінструментах із захисним заземленням.** У разі використання оригінальних штепсельних вилок і відповідних розеток знижується ризик ураження електричним струмом.
- ▶ **Під час роботи намагайтеся не торкатися заземлених поверхонь, наприклад труб, радіаторів опалення, печей та холодильників.** Якщо Ваше тіло перебуває в контакт з системою заземлення, існує підвищений ризик ураження електричним струмом.
- ▶ **Захищайте електроінструменти від дощу та вологи.** У разі проникнення води в електроінструмент підвищується ризик ураження електричним струмом.



- ▶ Використовуйте з'єднувальний кабель тільки за призначенням, не переносьте за нього електроінструмент, не користуйтеся ним для підвішування інструмента та не тримайтеся за нього, дістаючи штепсельну вилку з розетки. Оберегайте з'єднувальний кабель від впливу високих температур, від дії мастил та контакту з гострими кромками або рухомими частинами інструмента. Пошкоджені або заплутані з'єднувальні кабелі підвищують ризик ураження електричним струмом.
- ▶ Працюючи з електроінструментом під відкритим небом, використовуйте лише подовжувальний кабель, придатний для зовнішнього застосування. Використання подовжувального кабелю, призначеного для зовнішнього застосування, зменшує ризик ураження електричним струмом.
- ▶ Якщо неможливо уникнути експлуатації електроінструмента за умов підвищеної вологості, використовуйте автомат захисту від струму витоків. Використання автомата захисту від струму витоків зменшує ризик ураження електричним струмом.

Безпека персоналу

- ▶ Будьте уважними, зосередьтеся на виконуваній операції, до роботи з електроінструментом ставтеся серйозно. Не користуйтеся електроінструментом, якщо Ви втомлені або перебуваєте під дією наркотичних речовин, алкоголю або лікарських засобів. Під час роботи з електроінструментом не відволікайтеся ні на мить, оскільки це може призвести до отримання серйозних травм.
- ▶ Використовуйте засоби індивідуального захисту і завжди надягайте захисні окуляри. Використання засобів індивідуального захисту, наприклад респіратор, захисного взуття на нековзній підшві, захисного шолома або шумозахисних навушників – залежно від різновиду електроінструмента та особливостей його застосування – зменшує ризик травмування.
- ▶ Уникайте випадкового вмикання електроінструмента. Переконайтеся в тому, що електроінструмент вимкнений, перш ніж вставляти штепсельну вилку в розетку живлення та/або приєднувати акумулятор, підняти електроінструмент або переносити його. Якщо під час перенесення електроінструмента тримати палець на вимикачі або приєднувати інструмент до джерела живлення увімкненим, це може призвести до нещасного випадку.
- ▶ Перш ніж вмикати електроінструмент, від'єднайте від нього все налагоджувальне приладдя або гайкові ключі. Приладдя або ключ, що знаходяться в обертovому вузлі інструмента, можуть стати причиною отримання травм.
- ▶ Уникайте виконання роботи в незручній позі. Під час виконання робіт ставайте в стійку позу і намагайтеся повсякчас утримувати рівновагу. Це дозволить Вам більш упевнено контролювати електроінструмент у разі виникнення несподіваних обставин.
- ▶ Надягайте відповідний робочий одяг. Не надягайте для роботи занадто просторий одяг та прикраси. Слідкуйте за тим, щоб волосся, одяг та робочі рукавиці знаходилися подальше від обертovих частин інструмента. Просторий одяг, прикраси або довге волосся можуть бути захоплені рухомими частинами інструмента.
- ▶ Якщо передбачена можливість установлення системи пиловидалення та пилозбірників, обов'язково переконайтеся в тому, що вони правильно приєднані й використовуються належним чином. Застосування системи видалення пилу дозволяє зменшити негативний вплив пилу на персонал.
- ▶ Не можна нехтувати правилами безпеки під час роботи з електроінструментами навіть у тому випадку, коли Ви добре знайомі з тим чи іншим електроінструментом. Якщо користуватися інструментом необережно, лише малої частки секунди може бути достатньо для отримання тяжких травм.

Використання електроінструмента та належний догляд за ним

- ▶ Не допускайте перенавантаження інструмента. Завжди використовуйте електроінструмент, призначений для виконання відповідної роботи. При використанні належного електроінструмента забезпечуються більш висока якість та безпека виконання робіт у вказаному діапазоні продуктивності.
- ▶ Не використовуйте електроінструмент із пошкодженим вимикачем. Електроінструмент, який неможливо вмикати або вимикати, є небезпечним і підлягає ремонту.
- ▶ Перш ніж розпочинати налаштування інструмента, виконувати заміну приладдя або робити перерву в роботі, не забудьте вийняти штепсельну вилку з розетки та/або вийняти з інструмента змінну акумуляторну батарею. Такий запобіжний захід допоможе уникнути випадкового вмикання електроінструмента.
- ▶ Електроінструменти, що не використовуються, зберігайте в недоступному для дітей місці. Не дозволяйте користуватися інструментом особам, які не ознайомлені з ним або не прочитали ці вказівки. У руках недосвідчених людей електроінструменти являють собою серйозну небезпеку.
- ▶ Електроінструменти та їх приладдя потребують дбайливого догляду. Ретельно перевіряйте, чи бездоганно працюють та чи не заклинюють рухомі частини, чи не зламалися або не зазнали



інших пошкоджень деталі, від яких залежить справна робота електроінструмента. Перед початком роботи з інструментом пошкоджені деталі слід відремонтувати. Багатьох нещасних випадків можна уникнути за умови належного технічного обслуговування електроінструментів.

- ▶ **Слідкуйте за тим, щоб ріжучі інструменти завжди залишалися чистими та належним чином заточеними.** Дбайливо доглянутий ріжучий інструмент із гострими різальними кромками не так часто заклинюється, і з ним легше працювати.
- ▶ **Під час експлуатації електроінструмента, приладдя до нього, робочих інструментів тощо дотримуйтеся наведених у цьому документі вказівок.** При цьому завжди враховуйте умови в місці виконання робіт та дії, яких вимагає поставлене завдання. Використання електроінструментів не за призначенням може призвести до виникнення небезпечних ситуацій.
- ▶ **Слідкуйте за тим, щоб поверхні рукояток були чистими та сухими, та не допускайте їхнього забруднення мастилом.** Якщо поверхні рукояток слизькі, це унеможливіє впевнене контролювання електроінструмента у непередбачених ситуаціях.

Використання акумуляторного інструмента та належний догляд за ним

- ▶ **Для заряджання акумуляторних батарей застосовуйте лише зарядні пристрої, рекомендовані виробником.** Зарядний пристрій, придатний для заряджання акумуляторних батарей певного типу, може спричинити пожежу, якщо його застосовувати для заряджання акумуляторних батарей інших типів.
- ▶ **Для живлення електроінструментів застосовуйте лише спеціально призначені для цього акумуляторні батареї.** Застосування інших акумуляторних батарей може призвести до отримання травм і виникнення пожежі.
- ▶ **Акумуляторну батарею, яка не використовується, тримайте подалі від канцелярських скріпок, монет, ключів, цвяхів, гвинтів та інших дрібних металевих предметів, які могли б спричинити коротке замикання її контактів.** Коротке замикання контактів акумуляторної батареї може призвести до отримання опіків або до виникнення пожежі.
- ▶ **У разі неправильного застосування з акумуляторної батареї може пролитися рідина.** Уникайте контакту з нею. У разі випадкового контакту цієї рідини зі шкірою негайно промийте уражене місце достатньою кількістю води. Якщо рідина потрапила в очі, рекомендується додатково звернутися по лікарську допомогу. Пролита з акумуляторної батареї рідина може призвести до подразнення шкіри або отримання опіків.
- ▶ **Не використовуйте акумуляторну батарею, якщо вона пошкоджена або якщо її конструкція була змінена.** Пошкоджені або модифіковані акумуляторні батареї вкрай ненадійні та становлять небезпеку пожежі, вибуху або травмування.
- ▶ **Не піддавайте акумуляторну батарею впливу вогню або високих температур.** Вогонь або температури понад 130 °C (265 °F) можуть спричинити вибух.
- ▶ **Дотримуйтеся вказівок щодо заряджання.** Ніколи не заряджайте акумуляторну батарею або акумуляторний інструмент в умовах, що виходять за межі температурного діапазону, зазначеного в інструкції з експлуатації. Неналежне заряджання або заряджання за межами зазначеного температурного діапазону може призвести до руйнування акумуляторної батареї та підвищує ризик займання.

Сервісне обслуговування

- ▶ **Доручайте ремонт електроінструмента лише кваліфікованому персоналу зі спеціальною підготовкою за умови використання тільки оригінальних запасних частин.** Це забезпечить функціональність інструмента.
- ▶ **Забороняється здійснювати технічне обслуговування пошкоджених акумуляторних батарей.** У будь-яких випадках технічне обслуговування акумуляторних батарей повинен здійснювати виробник або уповноважена служба технічного обслуговування.

2.2 Вказівки з техніки безпеки під час використання кріпильних інструментів

- ▶ **Під час використання інструмента слід завжди вважати, що в ньому знаходяться цвяхи.** Недбале ставлення до правил застосування кріпильного інструмента може призвести до його непередбачуваного спрацювання та, як наслідок, до травмування.
- ▶ **Не направляйте електроінструмент на себе або на інших осіб, які знаходяться поруч.** У разі раптового спрацювання інструмента з нього на великій швидкості вилітає цвях, що може призвести до травмування.
- ▶ **Натискайте на запобіжне реле тільки після того, як міцно притиснете електроінструмент до заготовки.** Якщо електроінструмент не торкається заготовки, цвях може відскочити від місця кріплення.



- ▶ **Якщо цвях заклинило, від'єднайте електроінструмент від мережі або відстаньте з нього акумуляторну батарею.** Якщо кріпильний інструмент залишається підключеним до джерела живлення, то під час видалення цвяха, який заклинило, він може раптово спрацювати.
- ▶ **Будьте уважні під час видалення цвяха, який заклинило.** Система може знаходитися у напруженому стані, тому цвях може вилетіти з інструмента на великій швидкості, коли Ви намагатиметеся усунути заклинювання.
- ▶ **Закріплюючи електричні кабелі, переконайтеся, що вони не знаходяться під напругою. Утримуйте кріпильний інструмент тільки за ізольовані поверхні рукояток. Використовуйте тільки ті цвяхи, які призначені для монтажу електричних кабелів. Перевіряйте, чи не пошкодив забитий цвях ізоляцію електричних кабелів.** Якщо цвях пошкодив ізоляцію електричного кабелю, це може призвести до ураження електричним струмом або до пожежі.

2.3 Указівки з техніки безпеки

Вимоги до користувача

- ▶ Ви можете використовувати цей інструмент та здійснювати його технічне обслуговування тільки у тому випадку, якщо Ви отримали відповідний дозвіл та пройшли спеціальну підготовку.

Засоби індивідуального захисту

- ▶ Під час застосування інструмента його користувач та інші особи, які знаходяться поруч, повинні використовувати відповідні захисні окуляри, захисні навушники та захисний шолом.

Безпека персоналу

- ▶ Дотримуйтеся вказівок з експлуатації, догляду і технічного обслуговування, наведених в інструкції з експлуатації.
- ▶ Будьте уважними, зосередьтеся на виконуваній операції, до роботи з монтажним пістолетом ставтеся серйозно. Не користуйтеся інструментом, якщо Ви втомлені або перебуваєте під дією наркотиків, алкоголю або лікарських засобів. У разі виникнення болю або погіршення самопочуття припиніть роботу. Під час роботи з монтажним пістолетом не відволікайтеся ні на мить, бо це може призвести до серйозних травм.
- ▶ Уникайте незручних поз під час роботи. Намагайтеся працювати у стійкій позі та повсякчас утримувати рівновагу.
- ▶ На роботі носіть взуття на нековзній підшві.
- ▶ Не відтягуйте назад напрямну для дюбелів або кріпильний елемент рукою.
 - ▶ Відтягуючи назад напрямну для дюбелів або кріпильний елемент, Ви можете за певних умов перевести інструмент у стан готовності до використання. При цьому не виключається ризик випадкового пострілу кріпильним елементом в себе.
- ▶ Під час роботи з інструментом руки повинні бути зігнуті (а не витягнуті вперед).
- ▶ Не підпускайте до робочої зони сторонніх осіб, особливо дітей.
- ▶ Небезпека травмування в результаті падіння інструментів та/або приладдя. Перш ніж розпочинати роботу, перевірте, чи надійно закріплене приладдя й акумуляторна батарея.
- ▶ Не допускайте засмічення вентиляційних прорізів. Перекривання вентиляційних прорізів створює небезпеку отримання опіків!
- ▶ Не дивіться безпосередньо на світлодіодне підсвічування та не направляйте його в обличчя іншим особам. Існує небезпека засліплення.

Належне використання монтажних інструментів та дбайливий догляд за ними

- ▶ Небезпека через наскрізне пробивання основи кріпильним елементом! Перш ніж забивати кріпильні елементи у деталь, переконайтеся, що за нею або під нею немає сторонніх осіб.
- ▶ Використовуйте лише придатний для роботи інструмент. Використовуйте інструмент тільки за призначенням; не користуйтеся несправним інструментом.
- ▶ Не залишайте заряджений інструмент без нагляду.
- ▶ Завжди розряджайте інструмент перед його чищенням, технічним обслуговуванням та ремонтом, перед заміною напрямної для дюбелів, під час перерв у роботі, а також перед тим, як здавати його на зберігання (діставайте з інструмента кріпильні елементи).
- ▶ Інструменти, що не використовуються, зберігайте у сухому захищеному від дітей приміщенні, яке закривається на ключ.



- ▶ Перевіряйте інструмент та його приладдя на наявність пошкоджень. Перевіряйте рухомі деталі на наявність пошкоджень; вони повинні справно працювати та не заклинювати.
 - ▶ Усі деталі інструмента мають бути належним чином змонтовані та повинні відповідати всім вимогам щодо забезпечення його безперебійної роботи. Пошкоджені деталі повинні бути відремонтовані або замінені в спеціалізованому сервісному центрі компанії **Hilti**, якщо в цій інструкції з експлуатації не вказано інше.
- ▶ Перед початком роботи перевіряйте робоче місце на наявність прихованих електричних кабелів, газових та водопровідних труб. Якщо під час роботи будуть випадково пошкоджені електричні кабелі, газовий або водяний трубопровід, то їхній контакт із відкритими металевими деталями інструмента може спричинити ураження електричним струмом або вибух.
- ▶ Не забувайте кріпильні елементи в матеріал основи, непридатний для цього.
 - ▶ Для забивання кріпильних елементів не підходять такі матеріали, як зварювальна сталь та сталіні відливки, а також чавун, скло, мармур, пластмаса, бронза, латунь, мідь, ізоляційні матеріали, порожниста цегла, керамічна цегла, тонкий листовий метал (< 4 мм) та газобетон. Під час забивання кріпильних елементів у ці матеріали може мати місце пошкодження кріпильного елемента, розлітання осколків матеріалу, а також пробивання основи наскрізь.
- ▶ Натискайте на спусковий гачок лише після того, як інструмент буде перпендикулярно притиснутий до основи.
- ▶ Під час установа кріпильного елемента утримуйте інструмент під прямим кутом до основи, щоб уникнути відхилення кріпильного елемента від матеріалу основи.
- ▶ Утримуйте рукоятки сухими і чистими від бруду та мастил.
- ▶ Ніколи не кидайте інструмент.
- ▶ Не використовуйте магазин у якості рукоятки.
- ▶ Без особливого дозволу не використовуйте інструмент у місцях, де існує небезпека займання або вибуху.
- ▶ Не забувайте кріпильні елементи у наявні отвори, за винятком випадків, коли це рекомендує компанія **Hilti** (наприклад, у разі використання інструментів із технологією «DX-Kwik»).

Заходи щодо попередження механічних травм

- ▶ Не вносьте зміни до конструкції інструмента та приладдя, зокрема до конструкції поршня.
- ▶ Застосовуйте лише кріпильні елементи, спеціально призначені та допущені до використання саме з цим інструментом.

Заходи щодо попередження термічних травм

- ▶ Не перевищуйте рекомендовану максимальну інтенсивність забивання.
- ▶ Якщо інструмент перегрівся, дайте йому охолонути.
- ▶ Не розбирайте інструмент, коли він гарячий. Зачекайте, доки інструмент охолоне.

2.4 Застосування акумуляторних батарей та дбайливий догляд за ними

- ▶ **Дотримуйтеся наведених нижче вказівок з техніки безпеки, щоб гарантувати безпечне транспортування та використання літій-іонних акумуляторних батарей.** Невиконання цих вказівок може призвести до подразнення шкіри, серйозних травм внаслідок контакту з корозійними речовинами, а також до хімічних опіків, пожежі та/або вибуху.
- ▶ Користуйтеся лише повністю справними акумуляторними батареями.
- ▶ Обережно поводьтеся з акумуляторними батареями, щоб уникнути їхнього пошкодження або витоків рідин, які є дуже небезпечними для здоров'я!
- ▶ Забороняється вносити зміни до конструкції акумуляторних батарей або модифікувати їх!
- ▶ Акумуляторні батареї забороняється розбирати, роздавлювати, нагрівати до температури понад 80 °C (176 °F) або спалювати.
- ▶ Не використовуйте та не заряджайте акумуляторні батареї, які зазнали впливу ударного навантаження або були пошкоджені іншим чином. Регулярно перевіряйте акумуляторні батареї на наявність пошкоджень.
- ▶ Ніколи не використовуйте акумуляторні батареї із вторинних матеріалів або відремонтовані акумуляторні батареї.
- ▶ Не застосовуйте акумуляторну батарею або акумуляторний електроінструмент у якості ударного інструмента.
- ▶ Ніколи не піддавайте акумуляторні батареї впливу прямих сонячних променів, високих температур, іскор або відкритого вогню. Невиконання цієї вимоги може призвести до вибуху.
- ▶ Не торкайтеся полюсів елементів живлення пальцями, робочими інструментами, прикрасами, а також іншими предметами зі струмопровідних матеріалів. Невиконання цієї вимоги може привести до пошкодження акумуляторної батареї, матеріальних збитків і травм.



- ▶ Захищайте акумуляторні батареї від впливу дощу, вологи та рідин. Якщо всередину акумуляторної батареї потрапить волога, це може спричинити коротке замикання, ураження електричним струмом, опіки, пожежу або вибух.
- ▶ Використовуйте акумуляторну батарею тільки з тими електроінструментами та зарядними пристроями, для яких вона призначена. При цьому також дотримуйтеся вказівок, наведених в інструкціях з експлуатації відповідних виробів.
- ▶ Не використовуйте та не зберігайте акумуляторні батареї у вибухонебезпечному середовищі.
- ▶ Якщо акумуляторна батарея гаряча на дотик, вона може бути пошкоджена. Залиште акумуляторну батарею у захищеному від вогню місці на достатній відстані від горючих матеріалів, де за нею можна спостерігати. Зачекайте, доки акумуляторна батарея не охолоне. Якщо через годину акумуляторна батарея все ще залишається гарячою на дотик, це свідчить про її несправність. Зверніться до сервісної служби компанії **Hilti** або ознайомтеся з указівками щодо техніки безпеки та належної експлуатації літій-іонних акумуляторних батарей **Hilti**.

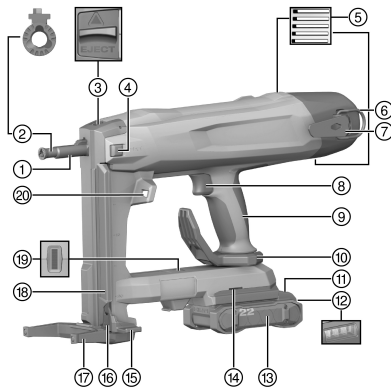


Дотримуйтеся спеціальних указівок щодо транспортування, зберігання та використання літій-іонних акумуляторних батарей.

Ознайомтеся з указівками щодо техніки безпеки та належної експлуатації літій-іонних акумуляторних батарей **Hilti**: для цього відскануйте QR-код, наведений наприкінці цієї інструкції з експлуатації.

3 Опис

3.1 Огляд продукту



- ① Головка інструмента
- ② Напрямна для дюбелів
- ③ Фіксатор напрямної для дюбелів
- ④ Кнопка для поодинокого забивання цвяхів (BX 3-ME-22)
- ⑤ Вентиляційні прорізи
- ⑥ Кільце для страхувального стропа
- ⑦ Поясний гачок
- ⑧ Запобіжне реле
- ⑨ Рукоятка
- ⑩ Гачок для кріплення інструмента на поясі/риштуванні
- ⑪ Деблокувальна кнопка акумуляторної батареї
- ⑫ Індикатор статусу акумуляторної батареї
- ⑬ Літій-іонна акумуляторна батарея
- ⑭ Отвір для встановлення приладдя
- ⑮ Важіль подачі цвяха
- ⑯ Кнопка розблокування важеля подачі цвяха
- ⑰ Опорна стійка
- ⑱ Магазин
- ⑲ Індикатор статусу монтажного пістолета
- ⑳ Освітлення робочої зони

3.1.1 Комплектація

Тип напрямної для дюбелів і тип опорної стійки залежать від моделі інструмента. Нижче у таблиці зазначений тип напрямної для дюбелів і тип опорної стійки, якими оснащений інструмент.

Додаткову інформацію можна знайти на кришці валізи інструмента, у **Hilti Store** або на веб-сайті www.hilti.group

| Інструмент | BX 3-22 | BX 3-L-22 | BX 3-ME-22 |
|----------------------|---------------|---------------|------------|
| Напрямна для дюбелів | X-FG B3 IF 02 | X-FG B3 IF 02 | X-FG B3 ME |



| | | | |
|-------------------|----------------|------------------|-------------------|
| Інструмент | BX 3-22 | BX 3-L-22 | BX 3-ME-22 |
| Опорна стійка | X-SL B3 03 | X-SL B3 03 | X-SL B3 ME 03 |

3.2 Використання за призначенням

Цей інструмент являє собою ручний акумуляторний монтажний пістолет. Він призначений для забивання спеціально вироблених кріпильних елементів у бетон, сталь, цеглу, силікатну цеглу та інші матеріали, що можуть використовуватися для виконання нероз'ємних з'єднань. Інструмент також призначений для монтажу електричних кабелів за допомогою кріпильних скоб – за умови застосування скоб відповідного типу. Використовуйте із цією напрямною для дюбелів тільки дозволені кріпильні елементи (додаткова інформація наведена у розділі з технічними характеристиками).

Монтажний пістолет, акумуляторна батарея та кріпильні елементи утворюють єдиний технічний вузол. Це означає, що безпроблемне виконання кріплень із застосуванням цього монтажного пістолета можливе лише за умови використання спеціально призначених для цього інструмента кріпильних елементів виробництва компанії **Hilti**, а також зарядних пристроїв та акумуляторних батарей, рекомендованих компанією **Hilti**. Лише у разі дотримання зазначених умов залишаються дійсними рекомендації компанії **Hilti** щодо виконання кріпильних робіт та застосування цього інструмента.

- ▶ Монтажний пістолет призначений виключно для ручного застосування.
- ▶ Уникайте випадків неналежного використання інструмента. Випадками неналежного використання інструмента є забивання кріпильних елементів у дуже м'який матеріал (наприклад, у деревину) та забивання кріпильних елементів у занадто твердий матеріал (наприклад, у високоміцну сталь або у занадто твердий природний камінь).
- Використовуйте із цим інструментом лише літій-іонні акумуляторні батареї **Hilti** Nuron типу B 22. Щоб забезпечити оптимальну потужність інструмента, компанія **Hilti** рекомендує використовувати з ним акумуляторні батареї, зазначені у таблиці наприкінці цієї інструкції з експлуатації.
- Для заряджання цих акумуляторних батарей використовуйте зарядні пристрої **Hilti** лише тих типів, які зазначені у таблиці наприкінці цієї інструкції з експлуатації.

3.3 Засоби безпеки

Під час роботи з магазином діє функція розпізнавання цвяха – вона призначена для попередження осічок, які можуть призвести до пошкодження монтажного пістолета.

Натискний запобіжник допомагає попередити неконтрольоване забивання цвяхів. Під час роботи з магазином притиснути монтажний пістолет до оброблюваної поверхні (та його активувати) можна тільки у тому випадку, коли в інструмент уставлений цвях.

3.4 Характеристики комплектації

Монтажний пістолет оснащений ергономічною нековзною вібропоглинаючою рукояткою, гачком для кріплення інструмента на пояс та риштуванні, а також опорною стійкою. Монтажний пістолет захищений від перенавантаження спеціальною електронною системою, а система контролю температури попереджає перегрів інструмента.

3.5 Індикатор статусу монтажного пістолета

Індикатор статусу монтажного пістолета надає інформацію про статус монтажного пістолета.

| Стан | Значення |
|--|--|
| Світлодіод не горить | Монтажний пістолет вимкнений |
| Світлодіод горить зеленим кольором. | Монтажний пістолет увімкнений і готовий до забивання кріпильних елементів |
| Світлодіод мигає зеленим кольором. | Акумуляторна батарея занадто гаряча або її заряд занадто низький |
| Світлодіод мигає кожні 3 секунди зеленим кольором. | Монтажний пістолет знаходиться у режимі очікування (щоб увімкнути його, слід натиснути на головку інструмента) |
| Світлодіод горить синім кольором. | Монтажний пістолет увімкнений, слід уставити нові стрічки з цвяхами |
| Світлодіод мигає синім кольором. | Монтажний пістолет увімкнений, магазин порожній |



| Стан | Значення |
|--------------------------------------|--|
| Світлодіод мигає жовтим кольором. | Монтажний пістолет занадто нагрівся, зверніться до таблиці несправностей |
| Світлодіод мигає червоним кольором. | Несправність інструмента (див. таблицю несправностей) |
| Світлодіод горить червоним кольором. | Несправність інструмента (див. таблицю несправностей) |

3.6 Варіанти індикації літій-іонної акумуляторної батареї

Літій-іонні акумуляторні батареї Hilti Nuron оснащені індикаторами, які можуть відображати стан заряду, повідомлення про несправності, а також позначати стан акумуляторної батареї.

3.6.1 Індикація стану заряду та повідомлень про несправність



ПОПЕРЕДЖЕННЯ

Ризик отримання травм через падіння акумуляторної батареї!

- Якщо Ви натиснули на деблокувальну кнопку, коли акумуляторна батарея встановлена в інструмент, будь ласка, переконайтеся, що вона належним чином зафіксована.

Щоб відобразити одну з наведених нижче індикацій, короткочасно натисніть деблокувальну кнопку акумуляторної батареї.

Після приєднання інструмента індикатор постійно показуватиме стан заряду акумуляторної батареї, а також можливі несправності.

| Стан | Значення |
|---|---|
| Чотири (4) світлодіоди постійно горять зеленим кольором | Стан заряду: від 100 % до 71 % |
| Три (3) світлодіоди постійно горять зеленим кольором | Стан заряду: від 70 % до 51 % |
| Два (2) світлодіоди постійно горять зеленим кольором | Стан заряду: від 50 % до 26 % |
| Один (1) світлодіод постійно горить зеленим кольором | Стан заряду: від 25 % до 10 % |
| Один (1) світлодіод повільно мигає зеленим кольором | Стан заряду: < 10 % |
| Один (1) світлодіод швидко мигає зеленим кольором | Літій-іонна акумуляторна батарея повністю розряджена. Зарядіть акумуляторну батарею. Якщо після заряджання акумуляторної батареї світлодіод продовжує швидко мигати, будь ласка, зверніться до сервісної служби компанії Hilti. |
| Один (1) світлодіод швидко мигає жовтим кольором | Літій-іонна акумуляторна батарея або приєднаний до неї інструмент перенавантажені, занадто гарячі або занадто холодні або виникла інша помилка. Зачекайте, доки інструмент і акумуляторна батарея не нагріються або не охолонуть до належної робочої температури, та надалі уникайте перенавантаження інструмента під час використання. Якщо індикація не зникає, будь ласка, зверніться до сервісної служби компанії Hilti. |
| Один (1) світлодіод горить жовтим кольором | Літій-іонна акумуляторна батарея та відповідний інструмент несумісні. Будь ласка, зверніться до сервісної служби компанії Hilti. |
| Один (1) світлодіод швидко мигає червоним кольором | Літій-іонна акумуляторна батарея заблокована та більше не може використовуватися. Будь ласка, зверніться до сервісної служби компанії Hilti. |



3.6.2 Індикація стану акумуляторної батареї

Щоб відобразити індикацію стану акумуляторної батареї, натисніть і утримуйте деблокувальну кнопку протягом більше трьох секунд. Система не встановила жодних потенційних несправностей елемента живлення, обумовлених його неналежним використанням, наприклад падінням, проколюванням, пошкодженням внаслідок впливу високих температур тощо.

| Стан | Значення |
|---|---|
| Усі світлодіоди послідовно загоряються, після чого один (1) світлодіод починає постійно горіти зеленим кольором. | Експлуатацію акумуляторної батареї можна продовжувати. |
| Усі світлодіоди послідовно загоряються, після чого один (1) світлодіод починає швидко мигати жовтим кольором. | Не вдалося завершити перевірку стану акумуляторної батареї. Повторіть операцію або зверніться до сервісної служби компанії Hilti . |
| Усі світлодіоди послідовно загоряються, після чого один (1) світлодіод починає постійно горіти червоним кольором. | Якщо використання приєданого інструмента можна продовжувати, це означає, що залишкова ємність акумуляторної батареї становить менше 50 %. Якщо використання приєданого інструмента вже не можна продовжувати, це означає, що строк служби акумуляторної батареї закінчився та її потрібно замінити. Будь ласка, зверніться до сервісної служби компанії Hilti . |

3.7 Bluetooth® (опціонально)

Текстове позначення Bluetooth® і відповідні графічні позначення (логотипи) є зареєстрованими торговельними марками, що знаходяться у власності компанії Bluetooth SIG, Inc. Будь-яке використання цих текстових/графічних позначень з боку компанії **Hilti** відбувається згідно з ліцензією.

3.7.1 Використання за призначенням

Цей інструмент оснащений модулем Bluetooth®, який відзначається низьким рівнем споживання енергії, а також надає можливість перевіряти стан електроінструмента та передавати налаштування й інші дані за допомогою технології бездротової передачі даних Bluetooth®, завдяки якій два інструменти з інтерфейсом Bluetooth, розташовані на невеликій відстані, можуть обмінятися між собою інформацією. Цей інструмент розроблений для комунікації та обміну даними з мобільними телефонами та системами зв'язку **Hilti**. Інструмент здатний відправляти дані про місцезнаходження мобільного пристрою-приймача, час роботи, загальну кількість застосувань, кількість застосувань у межах певного інтервалу, а також додавати мітку часу до даних, які передаються. Інформація про функції та можливості підключення наведена у відповідній програмі **Hilti**, а також в інструкції з експлуатації використовуваного електроінструмента.

3.7.2 Передавання даних через інтерфейс Bluetooth®

Інтервал відправлення даних може змінюватися залежно від джерела енергії, до якого підключений інструмент. Робоча дальність може значно відрізнитися залежно від зовнішніх умов, зокрема від пристрою-приймача, який використовується. У межах закритих приміщень та за наявності металевих перешкод (наприклад, стін, полиць, валіз тощо) робоча дальність підключення Bluetooth® може суттєво зменшуватися. Залежно від оточення може знадобитися декілька інтервалів відправлення даних, перш ніж електроінструмент буде розпізнаний.

Якщо електроінструмент не вдається розпізнати, будь ласка, перевірте:

Чи є відстань до мобільного пристрою завеликою?

→ Зменште відстань між мобільним пристроєм та електроінструментом

3.7.3 Установлення та налаштування програми

Щоб скористатися функціями та можливостями підключення, необхідно спочатку встановити відповідну програму **Hilti**.

(1.) Завантажте застосунок із відповідного магазину програм.



Для цього Вам знадобиться обліковий запис у магазині програм.



(2.) Після першого запуску програми, будь ласка, виконайте вхід за допомогою своїх облікових даних або зареєструйтеся.

(3.) На екрані мобільного пристрою з'являться усі подальші кроки, які слід виконати для встановлення зв'язку між електроінструментом і мобільним пристроєм.



Спочатку повністю пройдіть передбачений в програмі інструктаж. Він допоможе Вам краще зрозуміти процес встановлення зв'язку та порядок використання функцій і можливостей підключення.

3.8 Захист від глибокого розрядження

В інструменті передбачений режим глибокого сну, який захищає літій-іонну акумуляторну батарею від глибокого розрядження. Це дозволяє уникнути глибокого розрядження акумуляторної батареї.

- Захист від глибокого розрядження активується через 360 хвилин.
- Щоб деактивувати захист від глибокого розрядження, дістаньте акумуляторну батарею, а потім знову встановіть її.

3.9 Комплект постачання

Монтажний пістолет, інструкція з експлуатації.

Інше приладдя, допущене до експлуатації з Вашим інструментом, Ви можете знайти у **Hilti Store** або на веб-сайті www.hilti.group

4 Технічні дані

| | BX 3-22 | BX 3-L-22 | BX 3-ME-22 |
|---|-------------------------|-------------------------|-------------------------|
| Маса відповідно до ЕРТА Procedure 01 без акумуляторної батареї | 3,5 кг | 3,5 кг | 3,4 кг |
| Довжина цвяхів для магазина | 14 мм ... 30 мм | 14 мм ... 36 мм | 14 мм ... 24 мм |
| Довжина цвяхів для поодинокого забивання | •/• | •/• | 30 мм ... 36 мм |
| Діаметр цвяхів | 3 мм | 2,75 мм ... 3,0 мм | 3 мм |
| Місткість магазина | 30 цвяхів | 30 цвяхів | 20 цвяхів |
| Хід притискання | 12 мм | 12 мм | 12 мм |
| Сила притискання | 50 Н ... 70 Н | 50 Н ... 70 Н | 50 Н ... 70 Н |
| Рекомендована максимальна швидкість забивання за кімнатної температури | 700 забивань на годину | 700 забивань на годину | 700 забивань на годину |
| Номінальна напруга | 21,6 В | 21,6 В | 21,6 В |
| Максимальна випромінювана потужність передачі Bluetooth® | 8 дБм | 8 дБм | 8 дБм |
| Діапазон частот Bluetooth | 2 402 МГц ... 2 480 МГц | 2 402 МГц ... 2 480 МГц | 2 402 МГц ... 2 480 МГц |
| Температура зберігання | -20 °C ... 70 °C | -20 °C ... 70 °C | -20 °C ... 70 °C |
| Температура навколишнього середовища під час роботи | -17 °C ... 60 °C | -17 °C ... 60 °C | -17 °C ... 60 °C |

4.1 Акумуляторна батарея

| | |
|---|---|
| Робоча напруга акумуляторної батареї | 21,6 В |
| Маса акумуляторної батареї | Інформація наведена наприкінці цієї інструкції з експлуатації |



| | |
|---|------------------|
| Температура навколишнього середовища під час роботи | -17 °C ... 60 °C |
| Температура зберігання | -20 °C ... 40 °C |
| Температура акумуляторної батареї на початку процесу заряджання | -10 °C ... 45 °C |

4.2 Дані про шум та значення вібрації, виміряні згідно зі стандартом EN 62841

Наведені у цих рекомендаціях значення звукового тиску та вібрації були виміряні згідно з установленою процедурою вимірювання та можуть використовуватися для порівняння електроінструментів. Вони також придатні для попереднього оцінювання шумового та вібраційного навантаження.

Наведені дані обумовлюють переважні сфери застосування електроінструмента. Однак якщо Ви використовуєте його не за призначенням, застосовуєте нестандартне приладдя або неналежним чином здійснюєте догляд за інструментом, ці дані можуть відрізнитися від вказаних значень. Це може призвести до помітного збільшення шумового та вібраційного навантаження протягом усього робочого часу.

Для більш точної оцінки шумового та вібраційного навантаження необхідно враховувати також проміжки часу, протягом яких інструмент залишається вимкненим або працює на холостому ходу. Це може значно зменшити вібраційне та шумове навантаження протягом усього робочого часу.

Необхідно також вживати додаткових заходів безпеки з метою захисту працівників від дії шуму та/або вібрації, зокрема: проводити своєчасне технічне обслуговування електроінструмента та змінних робочих інструментів до нього, утримувати руки у теплі, належним чином організовувати робочий процес.

Дані про шум

| | | VX 3-22 | VX 3-L-22 | VX 3-ME-22 |
|---|-------|---------|-----------|------------|
| Скоригований за шкалою «А» типовий рівень шумової потужності (у разі забивання цвяхів) (L_{WA}) | Бетон | 96 дБ | 96 дБ | 96 дБ |
| | Сталь | 100 дБ | 100 дБ | 100 дБ |
| Скоригований за шкалою «А» типовий рівень шумового тиску (у разі забивання цвяхів) (L_{pA}) | Бетон | 85 дБ | 85 дБ | 85 дБ |
| | Сталь | 89 дБ | 89 дБ | 89 дБ |
| Похибка наведених вище значень рівня шумового тиску (K_{WA} , K_{pA}) | | 3 дБ | 3 дБ | 3 дБ |

Сумарні значення вібрації за однією віссю (у напрямку осі Z)

| | | VX 3-22 | VX 3-L-22 | VX 3-ME-22 |
|---|-------|----------------------|----------------------|----------------------|
| Рівень вібрації (у разі забивання крипильних елементів) з акумулятором B22 55 (a _n) | Бетон | 2,5 м/с ² | 2,5 м/с ² | 2,5 м/с ² |
| | Сталь | 3,3 м/с ² | 3,3 м/с ² | 3,3 м/с ² |
| Рівень вібрації (у разі забивання крипильних елементів) з акумулятором B22 85 (a _n) | Бетон | 2,9 м/с ² | 2,9 м/с ² | 2,9 м/с ² |
| | Сталь | 3,5 м/с ² | 3,5 м/с ² | 3,5 м/с ² |
| Похибка (K) | | 1,5 м/с ² | 1,5 м/с ² | 1,5 м/с ² |

5 Підготовка до роботи

ПОПЕРЕДЖЕННЯ

Ризик отримання травм внаслідок непередбаченого увімкнення інструмента!

- ▶ Перш ніж установлювати акумуляторну батарею, переконайтеся, що відповідний інструмент вимкнений.
- ▶ Від'єднайте акумуляторну батарею, перш ніж задавати налаштування інструмента або замінити приладдя.

Дотримуйтеся попереджувальних вказівок та вказівок з техніки безпеки, наведених у цьому документі та на корпусі інструмента.

5.1 Заряджання акумуляторної батареї

1. Перед заряджанням акумуляторної батареї прочитайте інструкцію з експлуатації зарядного пристрою.



2. Контакти акумуляторної батареї та зарядного пристрою повинні бути чистими та сухими.
3. Заряджайте акумуляторну батарею тільки за допомогою тих зарядних пристроїв, які допущені до застосування з нею. → стор. 133

5.2 Установлення акумуляторної батареї



ПОПЕРЕДЖЕННЯ

Ризик отримання травм внаслідок короткого замикання або падіння акумуляторної батареї!

- ▶ Перш ніж установлювати акумуляторну батарею, переконайтеся, що на контактах батареї та інструмента немає сторонніх предметів.
 - ▶ Завжди перевіряйте, щоб акумуляторна батарея була правильно зафіксована.
1. Перед першим використанням акумуляторну батарею слід повністю зарядити.
 2. Уставте акумуляторну батарею в інструмент, щоб вона зафіксувалася із чітким характерним звуком.
 3. Переконайтеся, що акумуляторна батарея надійно зафіксована в інструменті.

5.3 Виймання акумуляторної батареї

1. Натисніть на деблокувальну кнопку акумуляторної батареї.
2. Дістаньте акумуляторну батарею з інструмента.

5.4 Знімання напрямної для дюбелів

1. Потягніть важіль подачі цвяха вниз, доки він не зафіксується.
2. Спорожніть магазин. → стор. 141
3. Пересуньте фіксатор напрямної для дюбелів до упору у напрямку стрілки.
 - ▶ Це вивільнить напрямну для дюбелів.
4. Зніміть напрямну для дюбелів.

5.5 Установлення напрямної для дюбелів

1. Потягніть важіль подачі цвяха вниз, доки він не зафіксується.
2. Спорожніть магазин. → стор. 141
3. Пересуньте фіксатор напрямної для дюбелів до упору у напрямку стрілки та утримуйте його у цьому положенні.
4. Уставте напрямну для дюбелів у головку інструмента, доки вона не зафіксується з відчутним клацанням.
5. Відпустіть фіксатор напрямної для дюбелів.
 - ▶ Фіксатор напрямної для дюбелів перейде у середнє положення.
6. Потягніть за напрямну для дюбелів, щоб перевірити надійність її фіксації.

5.6 Безпечна робота з гачком для кріплення інструмента на поясі та риштуванні

- ▶ Перш ніж розпочинати роботу, перевірте, чи надійно приєднаний до інструмента гачок для його кріплення на поясі/риштуванні.
- ▶ Не використовуйте гачок для кріплення інструмента на поясі/риштуванні довше, ніж це є необхідним. Покладіть інструмент у надійне місце, якщо Ви не використовуватимете його протягом тривалого часу.

5.7 Захист від падіння з висоти



ПОПЕРЕДЖЕННЯ

Небезпека отримання травм внаслідок падіння робочого інструмента та/або приладдя!

- ▶ Використовуйте тільки той страхувальний строп для інструментів Hilti, який рекомендований для Вашого інструмента.
- ▶ Перед кожним використанням перевіряйте точку кріплення страхувального стропа для інструментів на наявність можливих пошкоджень.
- ▶ Не закріплюйте страхувальний строп для інструментів на поясному гачку. Не використовуйте поясний гачок для піднімання інструмента.





Дотримуйтеся місцевих указівок щодо виконання робіт на висоті.

У якості пристрою для попередження падіння цього інструмента використовуйте тільки страхувальний строп для інструментів **Hilti** номер #2261970.

- ▶ Закріпіть страхувальний строп на інструмент за допомогою передбаченого для цього карабіна, як показано на рисунку. Перевірте надійність кріплення гачка карабіна.
- ▶ Закріпіть другий гачок карабіна на несучій конструкції. Перевірте надійність кріплення гачка карабіна.



Дотримуйтеся вказівок, наведених в інструкції з експлуатації страхувального стропа для інструментів **Hilti**.

5.8 Уставлення цвяхів у магазин

ОБЕРЕЖНО

Небезпека защемлення пальців! Різке зворотне відскакування важеля подачі цвяха може призвести до травм або до пошкодження монтажного пістолета.

- ▶ Переміщуючи важіль подачі цвяха вниз, слідкуйте за тим, щоб він був зафіксований належним чином. Не допускайте різкого зворотного відскакування важеля подачі цвяха.

1. Потягніть важіль подачі цвяха вниз, доки він не зафіксується.
2. Уставте стрічку з цвяхами у магазин (дозволяється вставляти не більше 3 стрічок із 10 цвяхами у кожній з них).
3. Міцно утримуючи важіль подачі цвяха, натисніть на кнопку його розблокування.
4. Відведіть важіль подачі цвяха назад, доки він не торкнеться цвяха.

5.9 Уставлення цвяхів для поодинокого забивання

BX 3-ME-22

ОБЕРЕЖНО

Небезпека защемлення пальців! Різке зворотне відскакування важеля подачі цвяха може призвести до травм або до пошкодження монтажного пістолета.

- ▶ Переміщуючи важіль подачі цвяха вниз, слідкуйте за тим, щоб він був зафіксований належним чином. Не допускайте різкого зворотного відскакування важеля подачі цвяха.

1. Потягніть важіль подачі цвяха вниз, доки він не зафіксується.
2. Вийміть стрічку з цвяхами з магазину, після чого переконайтеся, що магазин порожній.



Монтажний пістолет може бути пошкоджений, якщо перед поодиноким забиванням цвяхів не всі цвяхи були видалені з магазину.

3. Міцно утримуючи важіль подачі цвяха, натисніть на кнопку його розблокування.
4. Відведіть важіль подачі цвяха назад.
5. Уставте цвях у передбачене для нього заглиблення у напрямній для дюбелів. За необхідності Ви також можете установити на напрямну для дюбелів додатковий кріпильний елемент, який допущений до експлуатації з інструментом.



Якщо у напрямну для дюбелів уставлено більше одного цвяха, спроба їх забивання може призвести до пошкодження монтажного пістолета. Під час поодинокого забивання цвяхів уставляйте у напрямну для дюбелів не більше одного цвяха.

6. Натисніть на перемикач поодинокого забивання цвяхів.
 - ▶ Перемикач поодинокого забивання цвяхів повинен зафіксуватися з відчутним клацанням.



Якщо потягнути важіль подачі цвяха вниз на декілька сантиметрів, перемикач поодинокого забивання цвяхів буде знову розблокований.



6 Експлуатація

Дотримуйтеся попереджувальних вказівок та вказівок з техніки безпеки, наведених у цьому документі та на корпусі інструмента.

6.1 Використання опорної стійки

Якщо поверхня основи рівна, то завдяки опорній стійці Вам буде зручніше встановити монтажний пістолет під прямим кутом до неї, оскільки Вам доведеться підтримувати його перпендикулярне положення тільки у боковому напрямку. Якщо поверхня нерівна, Вам може знадобитися закрити опорну стійку, щоб установити напрямну для дюбелів перпендикулярно до матеріалу основи.

6.1.1 Закривання опорної стійки

1. Натисніть на опорну стійку, щоб вивільнити її із зафіксованого положення.
2. Поверніть опорну стійку назад.

6.1.2 Відкривання опорної стійки

ОБЕРЕЖНО

Небезпека защемлення пальців! Під час відкидання опорної стійки існує небезпека защемлення пальців між опорною стійкою та корпусом інструмента.

- ▶ Під час відкидання опорної стійки утримуйте монтажний пістолет за рукоятку.

1. Поверніть опорну стійку вперед.
2. Натисніть на опорну стійку знизу, щоб зафіксувати її у відкритому положенні.

6.2 Вимкнення функції Bluetooth (опція)

- ▶ На 10 секунд притисніть монтажний пістолет до матеріалу основи.
 - ▶ Через 6 секунд буде чути, як послабиться пружинний елемент (утримуйте монтажний пістолет притиснутим ще 4 секунди).
 - ▶ Індикатор статусу 3 рази мигне синім кольором.
 - ▶ Звук спрацювання двигуна пролунає 3 рази.
 - ▶ Передача даних більше не є можливою.



Якщо Ви знаходитесь у місці, де використання функції Bluetooth не дозволене (наприклад, у клініці), Ви можете деактивувати Bluetooth.

Щоб знову увімкнути Bluetooth, дістаньте акумуляторну батарею, а потім установіть її на місце.

6.3 Увімкнення/вимкнення монтажного пістолета

6.3.1 Увімкнення монтажного пістолета

ПОПЕРЕДЖЕННЯ

Ризик отримання травм! Не притискайте монтажний пістолет до тіла, оскільки це може призвести до тяжких травм через непередбачене забивання кріпильного елемента.

- ▶ **Ніколи не притискайте монтажний пістолет до руки або до інших частин тіла.**

1. Завантажте магазин. → стор. 139
2. Установіть акумуляторну батарею. → стор. 138
 - ▶ Індикатор статусу повільно мигає зеленим.



Якщо продовжити працювати із розрядженою акумуляторною батареєю, монтажний пістолет вимкнеться з метою запобігання пошкодження акумуляторної батареї.

3. Щоб увімкнути монтажний пістолет, притисніть його до належної поверхні основи.
 - ▶ Монтажний пістолет активується.
 - ▶ Індикатор статусу загориться зеленим кольором.



6.3.2 Вимкнення монтажного пістолета

- ▶ Вийміть акумуляторну батарею. → стор. 138
- ▶ Пружинний елемент деактивується із характерним звуком, а індикатор статусу згасне.



Через 6 хвилин монтажний пістолет видасть за допомогою двигуна спеціальний звук, сигналізуючи про скоре відключення. Після цього монтажний пістолет автоматично відключиться.

6.4 Забивання кріпильного елемента

ПОПЕРЕДЖЕННЯ

Небезпека травмування через наскрізне пробивання основи кріпильним елементом!

- ▶ Перш ніж забивати кріпильні елементи у деталь, переконайтеся, що за нею або під нею немає сторонніх осіб.

ПОПЕРЕДЖЕННЯ

Небезпека отримання травми через частинки, що відлітають від матеріалу основи! Під час забивання цвяхів існує небезпека травмування частин тіла та очей уламками, що відколюються від матеріалу основи, та фрагментами стрічки, що на великій швидкості вилітають з інструмента.

- ▶ **Використовуйте засоби індивідуального захисту і завжди надягайте захисні окуляри та захисні рукавиці.** Інші особи, які знаходяться поблизу, також повинні носити захисні окуляри та захисний шолом.

ПОПЕРЕДЖЕННЯ

Ризик отримання травми! Не притискайте монтажний пістолет до тіла, оскільки це може призвести до тяжких травм через непередбачене забивання кріпильного елемента.

- ▶ **Ніколи не притискайте монтажний пістолет до руки або до інших частин тіла.**

1. Перед виконанням робіт зробіть 2 пробних забивання кріпильних елементів у матеріал основи.
2. Притисніть монтажний пістолет під прямим кутом до матеріалу основи та натисніть на напрямну для дюбелів до упору.
 - ▶ Монтажний пістолет увімкнеться.
3. Забийте кріпильний елемент, натиснувши на запобіжне реле.
4. Після забивання кріпильного елемента повністю зніміть монтажний пістолет з поверхні основи.



Якщо напрямна для дюбелів залишається притиснутою до матеріалу основи більше 6 секунд, а забивання кріпильного елемента при цьому не здійснюється, то монтажний пістолет автоматично переходить до режиму очікування. Монтажний пістолет знову увімкнеться, якщо встановити його головку на матеріал основи.

6.5 Дістання цвяхів під час роботи з магазином

1. Потягніть важіль подачі цвяха вниз, доки він не зафіксується.
2. Дістаньте цвяхи з магазину, потягнувши їх униз.
3. Міцно утримуючи важіль подачі цвяха, натисніть на кнопку його розблокування.
4. Відведіть важіль подачі цвяха назад у вихідне положення.

6.6 Видалення цвяха, який заклинило

ПОПЕРЕДЖЕННЯ

Небезпека отримання травм та пошкодження монтажного пістолета. Використання неналежних компонентів замість оригінального приладдя, рекомендованого компанією Hilti, може призвести до травмування осіб, а також до пошкодження монтажного пістолета.

- ▶ Щоб дістати цвях, який заклинило, використовуйте тільки рекомендований вибивач.



⚠ ПОПЕРЕДЖЕННЯ

Небезпека отримання травми через частинки, що відлітають від матеріалу основи! Якщо в області напрямної для дюбелів знаходяться сторонні предмети або якщо кріпильні елементи заклинює у напрямній для дюбелів, існує небезпека отримання травм через уламки, що розлітаються.

- ▶ Ніколи не намагайтеся усунути збій у роботі монтажного пістолета, продовжуючи забивати кріпильні елементи!



Поодинокі цвяхи може заклинити у напрямній для дюбелів. За допомогою вибивача X-NP Ви можете дістати з напрямної для дюбелів цвяхи, які заклинило. Із приладдям Ви можете ознайомитися у найближчому магазині компанії **Hilti** або на веб-сайті **www.hilti.group**.

1. Дістаньте напрямну для дюбелів (див. → стор. 138).
2. Уставте напрямну для дюбелів у затискну гільзу вибивача.
3. Вибийте цвях, який заклинило, з напрямної для дюбелів за допомогою вибивача та молотка.
4. Установіть напрямну для дюбелів в інструмент (див. → стор. 138).

7 Догляд і технічне обслуговування

⚠ ПОПЕРЕДЖЕННЯ

Небезпека травмування під час виконання робіт на інструменті з установленою акумуляторною батареєю!

- ▶ Завжди діставайте з інструмента акумуляторну батарею, перш ніж розпочинати будь-які роботи з догляду та технічного обслуговування!

Догляд за виробом

- Видаляйте накопичення бруду обережно.
- Якщо конструкцією інструмента передбачені вентиляційні прорізи, обережно прочищайте їх м'якою сухою щіткою.
- Чистьте корпус інструмента тільки вологою тканиною. Не використовуйте миючі засоби, що містять силікон, оскільки вони можуть пошкодити пластмасові деталі.
- Для чищення контактів інструмента використовуйте чисту суху тканину.

Догляд за літій-іонними акумуляторними батареями

- Ніколи не використовуйте акумуляторну батарею із заблокованими вентиляційними прорізами. Обережно прочищайте вентиляційні прорізи м'якою сухою щіткою.
- Уникайте зайвого контакту акумуляторної батареї з пилом або брудом. Ніколи не піддавайте акумуляторну батарею впливу високої вологості (зокрема, не занурюйте її у воду та не залишайте під дощем).

Якщо рідина потрапила всередину акумуляторної батареї, з нею слід поводитися як із пошкодженою акумуляторною батареєю. Ізольуйте акумуляторну батарею у контейнері з незаймистого матеріалу та зверніться до сервісної служби компанії **Hilti**.

- Не допускайте забруднення акумуляторної батареї сторонніми мастильними матеріалами. Слідкуйте за тим, щоб на акумуляторній батареї не накопичувалась занадто велика кількість пилу або бруду. Видаляйте забруднення з акумуляторної батареї м'якою сухою щіткою або чистою сухою тканиною. Не використовуйте миючі засоби, що містять силікон, оскільки вони можуть пошкодити пластмасові деталі.
- Не торкайтеся контактів акумуляторної батареї та не видаляйте з них мастильні матеріали, нанесені на заводі виробника.
- Чистьте корпус інструмента тільки вологою тканиною. Не використовуйте миючі засоби, що містять силікон, оскільки вони можуть пошкодити пластмасові деталі.

Технічне обслуговування

- Регулярно перевіряйте усі зовнішні частини інструмента на наявність пошкоджень, а органи керування – на предмет справної роботи.
- Не використовуйте інструмент у разі виявлення пошкоджень та/або порушень функціональності. негайно передайте інструмент до сервісної служби компанії **Hilti** для здійснення ремонту.
- Після завершення робіт з догляду і технічного обслуговування встановіть усі захисні пристрої та перевірте їхню роботу.





Щоб гарантувати належну роботу інструмента, використовуйте тільки оригінальні запасні частини та видаткові матеріали. Рекомендовані компанією **Hilti** запасні частини, видаткові матеріали та приладдя для інструмента Ви можете придбати у найближчому магазині **Hilti Store** або на веб-сайті **www.hilti.group**

7.1 Чищення внутрішньої поверхні головки інструмента

1. Зніміть напрямну для дюбелів. → стор. 138
2. Прочистьте внутрішню поверхню головки інструмента.
3. Установіть напрямну для дюбелів. → стор. 138

8 Транспортування та зберігання акумуляторних інструментів та акумуляторних батарей

Транспортування

ОБЕРЕЖНО

Непередбачене увімкнення інструмента під час транспортування !

- ▶ На час транспортування завжди діставайте з інструмента акумуляторну батарею!
- ▶ Вийміть акумуляторні батареї.
- ▶ Транспортувати та зберігати інструмент дозволяється лише у закритій валізі.
- ▶ Забороняється перевозити акумуляторні батареї у незапакованому вигляді. Під час перевезення акумуляторні батареї повинні бути захищені від сильних поштовхів та вібрацій, а також ізольовані від будь-яких струмопровідних матеріалів та від інших акумуляторних батарей. Це дозволить уникнути короткого замикання, яке може статися через контакт полюсів різних акумуляторних батарей. **Дотримуйтеся місцевих правил, які регламентують порядок перевезення акумуляторних батарей.**
- ▶ Забороняється пересилати акумуляторні батареї поштою. Для пересилання непошкоджених акумуляторних батарей зверніться до кур'єрської служби.
- ▶ Перед кожним використанням, а також перед тривалим транспортуванням і після його завершення перевіряйте інструмент та акумуляторні батареї на наявність пошкоджень.

Зберігання

ПОПЕРЕДЖЕННЯ

Непередбачене пошкодження інструмента через несправність акумуляторної батареї або через виток електроліту з акумуляторної батареї !

- ▶ На час зберігання завжди діставайте з інструмента акумуляторну батарею!
- ▶ Зберігайте інструмент та акумуляторні батареї у сухому прохолодному місці. Дотримуйтеся діапазону температур, зазначеного у технічних даних інструмента.
- ▶ Не зберігайте акумуляторні батареї на зарядному пристрої. Після закінчення процесу заряджання завжди від'єднуйте акумуляторну батарею від зарядного пристрою.
- ▶ Забороняється зберігати акумуляторні батареї на сонці, біля джерел тепла або на підвіконні.
- ▶ Зберігайте інструмент та акумуляторні батареї у сухому місці, недоступному для дітей та сторонніх осіб.
- ▶ Перед кожним використанням, а також перед тривалим зберіганням і після його завершення перевіряйте інструмент та акумуляторні батареї на наявність пошкоджень.

9 Допомога у разі виникнення несправностей

Якщо не вказане інше, усі описані світлові індикації стосуються індикатора статусу монтажного пістолета. У разі виникнення будь-яких несправностей звертайте увагу на індикатор стану заряду та несправності акумуляторної батареї. Додаткова інформація наведена у розділі «**Варіанти індикації літій-іонної акумуляторної батареї**».

У разі виникнення несправностей, які не зазначені у цій таблиці або які Ви не можете полагодити самостійно, зверніться до сервісної служби компанії **Hilti**.

| Несправність | Можлива причина | Рішення |
|----------------------------------|---------------------------------|----------------------------------|
| Індикатор статусу мигає зеленим. | Акумуляторна батарея розряжена. | ▶ Замініть акумуляторну батарею. |



| Несправність | Можлива причина | Рішення |
|---|--|--|
| Пружинний елемент не активується, індикатор статусу мигає зеленим. | Акумуляторна батарея розряджена. | ► Замініть акумуляторну батарею. |
| Не вдається притиснути напрямну для дюбелів до матеріалу основи, а індикатор статусу світиться синім кольором . | Магазин порожній. | ► Завантажте магазин. → стор. 139 |
| Не вдається притиснути напрямну для дюбелів до матеріалу основи, а індикатор статусу світиться зеленим кольором . | Важіль подачі цвяха заклинило. | ► Дістаньте стрічку з цвяхами з магазину та прочистьте магазин. |
| | Цвях заклинило у напрямній для дюбелів. | ► Видаліть цвях, який заклинило. → стор. 141 |
| Пружинний елемент активується із затримкою, індикатор статусу мигає синім кольором, одночасно лунає акустичний сигнал; після цього індикатор статусу продовжує горіти синім кольором протягом 6 хвилин. | Магазин порожній. | ► Завантажте магазин. → стор. 139 |
| Пружинний елемент додатково не активується, а індикатор статусу мигає жовтим кольором. | Монтажний пістолет перегрівся. | ► Зачекайте, доки монтажний пістолет охолоне. |
| | Температура акумуляторної батареї занадто висока. | ► Зачекайте, доки акумуляторна батарея не охолоне. |
| | Температура акумуляторної батареї занадто низька. | ► Зачекайте, доки акумуляторна батарея повільно нагріється до кімнатної температури. |
| Пружинний елемент не активується, а індикатор статусу мигає червоним кольором. | Напрямна для дюбелів установлена неналежним чином. | ► Установіть напрямну для дюбелів. → стор. 138 |
| Пружинний елемент не активується, а індикатор статусу горить червоним кольором. | Помилка у роботі інструмента. | ► Зверніться до сервісної служби компанії Hilti . |
| Пружинний елемент не активується; індикація статусу відсутня. | Акумуляторна батарея розряджена. | ► Замініть акумуляторну батарею. |
| | Акумуляторна батарея встановлена неналежним чином. | ► Дістаньте акумуляторну батарею, а потім установіть її належним чином. → стор. 138 |
| | Захист від глибокого розрядження активований. | ► Дістаньте акумуляторну батарею, а потім знову встановіть її. |
| Напрямна для дюбелів заклинило у притиснутому стані. | Засмічена область між напрямною для дюбелів та головкою інструмента. | ► Прочистьте внутрішню поверхню головки інструмента. → стор. 143 |



10 Утилізація



ПОПЕРЕДЖЕННЯ

Ризик отримання травм внаслідок неналежної утилізації! Небезпека для здоров'я внаслідок контакту з газами або рідинами, що виходять з акумуляторної батареї.

- ▶ Пошкоджені акумуляторні батареї забороняється пересилати поштою або кур'єрською службою!
- ▶ Закрийте контакти акумуляторних батарей електронепровідним матеріалом, щоб запобігти короткому замиканню.
- ▶ Утилізуйте акумуляторні батареї таким чином, щоб вони не потрапили до рук дітей.
- ▶ Щоб утилізувати акумуляторну батарею, передайте її до найближчого магазину **Hilti Store** або зверніться до представника відповідної компанії з утилізації відходів.



Більшість матеріалів, з яких виготовлено інструменти компанії **Hilti**, придатні для вторинної переробки. Передумовою для їхньої вторинної переробки є належне сортування відходів за типом матеріалу. У багатьох країнах світу компанія **Hilti** приймає старі інструменти для їхньої утилізації. Щоб отримати додаткову інформацію, звертайтеся до сервісної служби компанії **Hilti** або до свого торгового консультанта.



- ▶ Не викидайте електроінструменти, електронні пристрої та акумуляторні батареї у баки для побутового сміття!

11 Гарантійні зобов'язання виробника

- ▶ З питань гарантії, будь ласка, звертайтеся до найближчого партнера компанії **Hilti**.

12 Додаткова інформація

Щоб ознайомитися із додатковою інформацією про застосування й технічне обслуговування інструмента, його вплив на навколишнє середовище, а також про його утилізацію, будь ласка, скористайтеся цим посиланням: qr.hilti.com/manual?id=2268212&id=2268213

Це посилання також наведене наприкінці документа у вигляді QR-коду.

Түпнұсқа пайдалану бойынша нұсқаулық

1 Құжаттама бойынша деректер

1.1 Бұл құжаттама туралы



Импорттауыш және өндірушінің өкілетті ұйымы

- (RU) Ресей Федерациясы
"Хилти Дистрибьюшн ЛТД" АҚ, 141402, Мәскеу облысы, Химки қ., Ленинградская көш., ғим. 25
- (BY) Беларусь Республикасы
222750, Минск облысы, Дзержинский ауданы, Р-1, 18-ші км, 2 (Слободка ауылының жанында), 1-34 бөлімі
- (KZ) Қазақстан Республикасы
Қазақстан Республикасы, индекс 050011, Алматы қ., Пугачев көш., 4-үй
- (KG) Қырғыз Республикасы
"Т AND Т" ЖШҚ, 720021, Қырғызстан, Бішкек қ., Ибраимов көш., 29 А үйі
- (AM) Армения Республикасы
Эйч-Кон ЖШҚ, Армения Республикасы, Ереван қ., Бабаян көш., 10/1 үйі

Өндірілген елі: жабдықтағы белгілеу тақтайшасын қараңыз.

Өндірілген күні: жабдықтағы белгілеу тақтайшасын қараңыз.

Тиісті сертификатты мына мекенжай бойынша табуға болады: www.hilti.ru

Сақтау, тасымалдау және пайдалану шарттарына пайдалану бойынша нұсқаулықта белгіленгеннен басқа арнайы талаптар қойылмайды.



2268213

Қазақ 145

Өнімнің қызмет ету мерзімі 5 жыл.

- Іске қосу алдында осы құжаттаманы оқып шығыңыз. Бұл қауіпсіз жұмыс пен ақаусыз басқару үшін алғышарт болып табылады.
- Осы құжаттамадағы және өнімдегі қауіпсіздік және ескерту нұсқауларын орындаңыз.
- Пайдалану бойынша нұсқаулықты әрдайым өнімде сақтаңыз және оны басқа тұлғаларға тек осы нұсқаулықпен бірге тапсырыңыз.

1.2 Шартты белгілердің анықтамасы

1.2.1 Ескерту

Ескертулер өнімді қолдану барысындағы қауіптер туралы ескертеді. Төмендегі сигналдық сөздер пайдаланылады:



ҚАУІПТІ

ҚАУІПТІ !

- ▶ Ауыр жарақаттарға әкелетін немесе өмірге қауіп төндіретін тікелей қауіпті жағдайдың жалпы белгіленуі.



ЕСКЕРТУ

ЕСКЕРТУ !

- ▶ Ауыр жарақаттарға әкелуі немесе өмірге қауіп төндіруі мүмкін ықтимал қауіпті жағдайдың жалпы белгіленуі.



АБАЙЛАҢЫЗ

АБАЙЛАҢЫЗ !

- ▶ Жарақат алуға немесе мүліктің зақымдалуына әкелуі мүмкін ықтимал қауіпті жағдайдың жалпы белгіленуі.

1.2.2 Пайдалану бойынша нұсқаулықтағы белгілер

Бұл пайдалану бойынша нұсқаулықта төмендегі белгілер пайдаланылады:

| | |
|--|--|
| | Пайдалану бойынша нұсқаулықты ұстану |
| | Аспапты пайдалану бойынша нұсқаулар және басқа пайдалы ақпарат |
| | Қайта пайдалануға болатын материалдармен жұмыс істеу |
| | Электр аспаптарды және аккумуляторларды тұрмыстық қоқысқа тастамаңыз |
| | Hilti Li-Ion аккумуляторы |
| | Hilti зарядтағыш құрылғысы |

1.2.3 Суреттердегі белгілер

Суреттерде төмендегі белгілер қолданылады:

| | |
|--|--|
| | Бұл сандар осы пайдалану бойынша нұсқаулықтың басындағы тиісті суретке сәйкес келеді. |
| | Нөмірлеу суреттегі жұмыс қадамдарының реттілігін білдіреді және мәтіндегі жұмыс қадамдарынан өзгешеленуі мүмкін. |
| | Позиция нөмірлері Шолу суретінде қолданылады және Өнімге шолу мақаласындағы шартты белгілердің нөмірлеріне сілтейді. |
| | Аталмыш белгілер өнімді қолдану барысында айрықша назарыңызды аудартады. |



1.3 Өнімге қатысты белгілер

1.3.1 Өнімдегі белгілер

Өнімде төмендегі белгілер пайдаланылуы мүмкін:

| | |
|--------|--|
| | Жалпы нұсқама белгілері |
| | Қорғауыш көздірікті тағу |
| | Қорғауыш құлақпты пайдалану |
| | Қорғауыш касканы пайдаланыңыз |
| | Өнім iOS және Android платформаларымен үйлесімді NFC технологиясын қолдайды. |
| Li-Ion | Литий-иондық аккумулятор |
| | Аккумуляторды еш жағдайда соқпа құрал ретінде пайдаланбаңыз. |
| | Аккумуляторды құлатып жібермеңіз. Соққы тиген немесе басқа жолмен зақымдалған аккумуляторды пайдаланбаңыз. |

1.4 Өнім туралы ақпарат

HILTI өнімдері кәсіби пайдаланушыларға арналған және оларды тек қана өкілетті, білікті қызметкерлер пайдалануы, күтім және техникалық қызмет көрсетуі тиіс. Қызметкерлер қауіпсіздік техникасы бойынша арнайы нұсқау алуы керек. Өнім мен оның қосалқы құралдарын басқа мақсатта қолдану немесе олардың оқытылмаған қызметкерлердің тарапынан пайдаланылуы қауіпті.

Тұр сипаттамасы мен сериялық нөмір фирмалық тақтайшада берілген.

- Сериялық нөмірді төмендегі кестеге көшіріп қойыңыз. Өнім туралы мәліметтерді өкілдігімізге немесе қызмет көрсету бөлімімізге сұрау беру арқылы алуға болады.

Өнім туралы мәліметтер

| | |
|----------------|----------------------------------|
| Қондыру құралы | BX 3-22 BX 3-L-22 BX 3-ME-22 |
| Буын | 03 |
| Сериялық нөмір | |

1.5 Сәйкестілік декларациясы

Өндіруші осы нұсқаулықта сипатталған өнімнің қолданыстағы заңнамаға және қолданыстағы стандарттарға сәйкес екендігін толық жауапкершілікпен жариялайды. Сәйкестілік декларациясының суреті осы құжаттаманың соңында орналасқан.

Техникалық құжаттама мына жерде сақталған:

Hilti Entwicklungsgesellschaft mbH | Zulassung Geräte | Hiltistraße 6 | 86916 Kaufering, DE

2 Қауіпсіздік

2.1 Электр құралдары үшін қауіпсіздік техникасы бойынша жалпы нұсқаулар

⚠ ЕСКЕРТУ Бұл электр құралына арналған барлық қауіпсіздік нұсқауларын, нұсқауларды, суреттерді және техникалық деректерді оқып шығыңыз. Төменде берілген нұсқауларды орындамау электр тогының соғуына, өртке әкелуі мүмкін және/немесе ауыр жарақаттарды тудыруы мүмкін.

Қауіпсіздік техникасы бойынша барлық нұсқауларды және нұсқауларды келесі пайдаланушы үшін сақтаңыз.

Қауіпсіздік нұсқауларында қолданылатын «электр құралы» термині электр желісінен (желілік кабельмен) және аккумулятордан (желілік кабельсіз) жұмыс істейтін электр құралын білдіреді.

Жұмыс орны

- **Жұмыс орнындағы тазалықты және тәртіпті қадағалаңыз.** Жұмыс орнындағы ретсіздік және нашар жарық сәтсіз жағдайларға әкелуі мүмкін.



- ▶ **Жанғыш сұйықтықтар, газдар немесе шаң бар жарылыс қаупі бар аймақта электр құралын қолданбаңыз.** Жұмыс кезінде электр құралдары ұшқындар шығады және ұшқындар шаңды немесе буларды тұтандыруы мүмкін.
- ▶ **Балалардың және бөгде адамдардың жұмыс істеп тұрған электр құралына жақындауына рұқсат етпеңіз.** Жұмысқа көңіл бөлмегенде, электр құралын бақылау жоғалуы мүмкін.

Электр қауіпсіздігі

- ▶ **Электр құралдың байланыс ашасы электр желісінің розеткасына сай болуы керек.** Айырдың конструкциясын өзгертпеңіз. Қорғауыш жерге қосуы бар электр құралдарымен бірге өтпелі айырларды қолданбаңыз. Түпнұсқа айырлар және оларға сай розеткалар электр тогының соғу қаупін азайтады.
- ▶ **Жерге қосылған беттерге, мысалы, құбырларға, жылыту құралдарына, пештерге (плиталарға) және тоназытқыштарға тікелей тиюді болдырмаңыз.** Жерге қосылған заттарға тигенде электр тогының соғуының үлкен қаупі туындайды.
- ▶ **Электр құралдарды жаңбырдан немесе ылғал әсерінен сақтаңыз.** Электр құралға су тиюі нәтижесінде электр тогының соғу қаупі артады.
- ▶ **Байланыс сымын басқа мақсатта қолданбаңыз, мысалы, электр құралды тасымалдау, оны іліп қою немесе электр желісінің розеткасынан айырды шығару үшін.** Байланыс сымын жылу, май, өткір жиектер немесе жылжымалы бөліктерден алшақ ұстаңыз. Байланыс сымының зақымдалуы немесе қабаттасуы нәтижесінде электр тогының соғу қаупі артады.
- ▶ **Егер жұмыстар ашық ауада орындалса, тек бөлмелерден тыс қолдануға рұқсат етілген ұзартқыш сымдарды пайдаланыңыз.** Бөлмелерден тыс қолдануға жарамды ұзартқыш сымды пайдалану электр тогының соғу қаупін азайтады.
- ▶ **Егер электр құралмен ылғалдылық жағдайларында жұмыс істеуді болдырмау мүмкін емес болса, шығып кететін токтан қорғау автоматын қолданыңыз.** Шығып кететін токтан қорғау автоматын қолдану электр тогының соғу қаупін азайтады.

Адамдардың қауіпсіздігі

- ▶ **Ұқыпты болыңыз, әрекеттеріңізге көңіл бөліңіз және электр құралымен жұмыс істеуге дұрыс қараңыз.** Шаршаған кезде немесе есіртік, алкоголь не дәрі қабылдаған соң электр құралын қолданбаңыз. Электр құралын қолданған кездегі зейінсіздік ауыр жарақаттарға апарып соғуы мүмкін.
- ▶ **Жеке қорғану құралдарын пайдаланыңыз және әрқашан міндетті түрде қорғауыш көзілдірікті киіңіз.** Электр құралының түріне және пайдалану жағдайларына байланысты жеке қорғану құралдарын, мысалы, шаңнан қорғайтын респираторды, сырғымайтын аяқ киімді, қорғауыш шлемді, естуді қорғау құралдарын қолдану жарақаттану қаупін азайтады.
- ▶ **Электр құралының кездейсоқ қосылуын болдырмаңыз.** Электр қуатына қосу және/немесе аккумуляторды қою, көтеру немесе тасымалдау алдында электр құралы өшірілгеніне көз жеткізіңіз. Электр құралын тасымалдағанда саусақтар сөндіргіште болатын немесе қосылған электр құралы желіге қосылатын жағдайлар сәтсіз жағдайларға әкелуі мүмкін.
- ▶ **Электр құралын қосу алдында реттеуші құрылғыларды және гайка кілтін алыңыз.** Электр құралының айналатын бөлігіндегі аспап немесе кілт жарақаттарға әкелуі мүмкін.
- ▶ **Жұмыс кезінде ыңғайсыз қалыптарға тұрмауға тырысыңыз.** Үнемі тұрақты күйді және тепендікті сақтаңыз. Бұл күтпеген жағдайларда электр құралын жақсырақ басқаруға мүмкіндік береді.
- ▶ **Арнайы киімді киіңіз. Өте бос киімді немесе әшекейлерді кимеңіз.** Шашты, киімді және қолғапты электр құралының айналатын түйіндерінен сақтаңыз. Бос киім, әшекейлер және ұзын шаш оларға ілінуі мүмкін.
- ▶ **Егер шаңды жинау және кетіруге арналған құрылғыларды қосу қарастырылған болса, олар қосылғанына және мақсаты бойынша қолданылып жатқанына көз жеткізіңіз.** Шаңды кетіру модулін пайдалану шаңның зиянды әсерін азайтады.
- ▶ **Өз мойныңызға қате қауіпсіздік сезімін алмаңыз және электр құралына арналған қауіпсіздік ережелерін бұзбаңыз, тіпті электр құралын жиі қолданатын тәжірибелі пайдаланушы болсаңыз.** Мұқиятсыз қолдану бірнеше секундта ауыр жарақаттануға апарып соғуы мүмкін.

Электр құралын қолдану және оған қызмет көрсету

- ▶ **Аспапқа шамадан тыс жүктеме түсуін болдырмаңыз.** Нақ осы жұмысқа арналған электр құралын қолданыңыз. Бұл ережені сақтау көрсетілген қуат диапазонында жоғарырақ жұмыс сапасын және қауіпсіздігін қамтамасыз етеді.
- ▶ **Сөндіргіші бұзылған электр құралын қолданбаңыз.** Қосу немесе өшіру қиын электр құралы қауіпті және оны жөндеу керек.



- ▶ **Электр құралын реттеуге, саймандарды ауыстыруға кірісу алдында немесе жұмыстағы үзіліс алдында розеткадан ашаны және/немесе электр құралынан алмалы-салмалы аккумуляторды шығарыңыз.** Бұл сақтық шарасы электр құралының кездейсоқ қосылуын болдырмайды.
- ▶ **Қолданылмайтын электр құралдарын балалар жетпейтін жерде сақтаңыз.** Аспаппен таныс емес немесе осы нұсқауларды оқып шықпаған адамдарға аспапты пайдалануға рұқсат бермеңіз. Электр құралдары тәжірибесі жоқ пайдаланушылардың қолында қауіпті болады.
- ▶ **Электр құралдары мен керек-жарақтарға ұқыпты қараңыз.** Айналымды бөліктердің мүлтіксіз қызмет ететінін, олардың жүрісінің жеңілдігін, барлық бөліктердің тұтастығын және электр құралының жұмысына теріс әсер етуі мүмкін зақымдардың жоқтығын тексеріңіз. Аспаптың зақымдалған бөліктерін оны қолдану алдында жөндеуге өткізіңіз. Электр құралына техникалық қызмет көрсету ережелерін сақтамау көп сәтсіз жағдайлардың себебі болып табылады.
- ▶ **Кескіш аспаптардың үшкір және таза болуын қадағалау керек.** Жұмыс күйінде сақталатын кескіш аспаптардың сыналануы сиректеу болады, оларды басқару жеңілдеу.
- ▶ **Электр құралын, саймандарды, көмекші құрылғыларды және т.б. нұсқауларға сай пайдаланыңыз.** Бұл кезде жұмыс жағдайларын және орындалатын жұмыстың сипатын ескеріңіз. Электр құралдарын басқа мақсаттарда қолдану қауіпті жағдайларға әкелуі мүмкін.
- ▶ **Тұтқыштар мен тұтқыш беттерін таза, құрғақ, май іздерінсіз ұстаңыз.** Сырғанақ тұтқыштар мен олардың беттері белгілі бір жағдайларда электр құралының қауіпсіз қолданылуы мен басқарылуына жол бермейді.

Аккумуляторлық аспапты пайдалану және оған қарау

- ▶ **Аккумуляторды тек өндіруші ұсынған зарядтағыш құрылғылардың көмегімен зарядтаңыз.** Зарядтағыш құрылғыны тиісті емес аккумулятор түрлерін зарядтау үшін қолданғанда өрт туындауы мүмкін.
- ▶ **Аспаппен жұмыс істеу үшін тек тиісті аккумуляторларды қолданыңыз.** Басқа аккумуляторларды пайдалану жарақаттарға әкелуі және өрт тудыруы мүмкін.
- ▶ **Пайдаланылмайтын аккумуляторларды контакттардың тұйықталуының себебі болуы мүмкін скрепалардан, тындырдан, кілттерден, инелерден, винттерден және басқа металл заттардан ары сақтаңыз.** Аккумулятор контактарының тұйықталуы күйіктерге немесе тұтануға әкелуі мүмкін.
- ▶ **Аккумулятормен тиісті емес түрде жұмыс істегенде одан электролит ағып шығуы мүмкін. Оған тиюді болдырмаңыз.** Кездейсоқ тигенде сумен шайыңыз. Электролит кезге тигенде дәрігер көмегіне жүгініңіз. Аккумулятордан ағып шыққан электролит тері тітіркенуін немесе күйіктерді тудыруы мүмкін.
- ▶ **Зақымдалған не пішіні өзгертілген аккумуляторларды қолданбаңыз.** Зақымдалған не пішіні өзгертілген аккумуляторларды болжауға болмайды және олар өрт, жарылыс не жарақаттану қаупін тудырады.
- ▶ **Аккумуляторды өрт не жоғары температуралы аймақтардан алшақ ұстаңыз.** Өрт немесе 130 °C (265 °F) жоғары температуралар жарылыс тудыруы мүмкін.
- ▶ **Зарядтау үшін барлық нұсқауларды орындаңыз және аккумулятор не аккумуляторлық құралды ешқашан пайдалану бойынша нұсқаулықта берілген температура ауқымдарынан тыс зарядтамаңыз.** Қате зарядтау немесе рұқсатты температура ауқымдарынан тыс зарядтау аккумуляторды бұзуы және өрт қаупін арттыруы мүмкін.

Қызмет

- ▶ **Электр құралын жөндеуді тек түпнұсқа қосалқы бөлшектерді қолданатын білікті қызметкерлерге сеніп тапсырыңыз.** Бұл электр құралын қауіпсіз күйде сақтауды қамтамасыз етеді.
- ▶ **Зақымдалған аккумуляторларға ешқашан қызмет көрсетпеңіз.** Аккумулятордың толық күтімін тек өндіруші немесе өкілетті қызмет көрсету орталықтары орындауы тиіс.

2.2 Бекіту аспабы бойынша қауіпсіздік нұсқаулары

- ▶ **Электр құралда шегенің бар екендігіне әрдайым сенімді болыңыз.** Бекіту аспабын ұқыпсыз басқару шегенің күтпеген шығып кетуіне және жарақаттарға апарып соғуы мүмкін.
- ▶ **Өзіңіз бен басқаларды электр құралдың айналасынан алшақ ұстаңыз.** Күтпеген босатылу шегенің шығып кетуіне, ал нәтижесінде жарақат тигізуіне апарып соғуы мүмкін.
- ▶ **Электр құрал өңделетін материалға берік бекітілмегенше оны іске қоспаңыз.** Электр құрал өңделетін материалға тимеген жағдайда, шеге бекіту орнынан тайқып кетуі мүмкін.
- ▶ **Шеге электр құралда қысылған кезде электр құралды желіден не аккумулятордан ажыратыңыз.** Бекіту аспабы қосылған кезде, шығарылған жағдайда берік орнатылған шегелер қате іске қосылуы мүмкін.



- ▶ **Берік орнатылған шегелерді шығарған кезде мұқият болыңыз.** Қысып қалуды шешуге тырысқанша жүйе кернеу астында болып, шегелер қарқынды түрде шығып тұруы мүмкін.
- ▶ **Электрлік сымдарды бекіту кезінде электрлік кернеудің өткізбегеніне көз жеткізіңіз. Бекіту аспабын тек оқшауланған тұтқыш беттеріне бекітіңіз. Тек электрлік сымдарды орнатуға арналған шегелерді пайдаланыңыз. Шеге электрлік сым оқшаулануы зақымдамағанына көз жеткізіңіз.** Оқшаулануы зақымдалған шеге ток соғу не өрт қаупін тудыруы мүмкін.

2.3 Қауіпсіздік техникасы бойынша нұсқаулар

Пайдаланушыға қойылатын талаптар

- ▶ Бұл өнімді тек өкілетті және оқытылған тұлғалар пайдалануы немесе оған техникалық қызмет көрсетуі мүмкін.

Жеке ану ұралдары

- ▶ Жұмыс барысында өзіңіз бен жақын маңда орналасқан адамдар арнайы көз қорғанысын, құлақ қорғанысын және қорғауыш шлемді киіп жүруі керек.

Адамдардың қауіпсіздігі

- ▶ Пайдалануға, күтуге және техникалық қызмет көрсетуге қатысты Пайдалану бойынша нұсқаулықта басып шығарылған ақпаратты орындаңыз.
- ▶ Ұқыпты болыңыз, әрекеттеріңізге көңіл бөліңіз және қондыру құралымен жұмыс істеуге дұрыс қараңыз. Өнімді шаршап тұрған күйде немесе есірткі, алкоголь немесе дәрі әсерінде болған жағдайда пайдаланбаңыз. Өзіңізді нашар сезінсеңіз, өніммен жұмыс істеуді тоқтатыңыз. Қондыру құралымен жұмыс істегендегі бір сәт зейінсіздік ауыр жарақат алуға әкелуі мүмкін.
- ▶ Қолайсыз қалыпта жұмыс істеменіз. Әрқашан тік, сенімді ұстаныңыз және тепе-теңдікті сақтаңыз.
- ▶ Табаны сырғымайтын аяқ киімді пайдаланыңыз.
- ▶ Бекіту бағыттауышын немесе бекіту элементін ешқашан қолмен артқа тартпаңыз.
 - ▶ Бекіту бағыттауышын немесе бекіту элементін қолмен артқа тартқанда, белгілі бір жағдайларда өнім қолдануға дайындық күйіне келтірілуі мүмкін. Бұл ретте өзіңізге кездейсоқ ату қаупі бар.
- ▶ Өнімді іске қосу сәтінде қолыңызды созып емес, бүгіп ұстаңыз.
- ▶ Жұмыс аймағында бөгде адамдардың, әсіресе балалардың болуына тыйым салынады.
- ▶ Құлап қалған құралдардан және/немесе керек-жарақтардан жарақат алу қаупі бар. Жұмысты бастамас бұрын аккумулятор мен қондырылған керек-жарақтың берік бекітілгеніне көз жеткізіңіз.
- ▶ Желдету саңылауларын әрдайым бос ұстаңыз. Үсті жабылған желдету саңылауларынан өрт қаупі туындайды!
- ▶ Жарыққа (жарық диоды) тікелей қарамаңыз және жарықты басқа адамдардың көзіне тікелей бағыттамаңыз. Соқырлық қаупі бар.

Қондыру құралдарына күтіммен қарау және оларды дұрыс пайдалану

- ▶ Тесіп өткен бекіту элементінен болатын қауіп! Бекіту элементтерін қондыру алдында, бекіту элементі қондырылатын құрамдас бөлшектің артында немесе астында ешкім тұрмағанына көз жеткізіңіз.
- ▶ Жұмысыңыз үшін жарамды өнімді пайдаланыңыз. Өнімді тек өз мақсаты бойынша және тек дұрыс және ақаусыз күйінде пайдаланыңыз.
- ▶ Толтырылған өнімді ешқашан қараусыз қалдырмаңыз.
- ▶ Тазалау, қызмет көрсету және техникалық қызмет көрсету жұмыстарының алдында, бекіту бағыттауышын алмастырған кезде, жұмыс үзілістерінде және (бекіту элементін) сақтау үшін өнімнің зарядын әрдайым босатыңыз.
- ▶ Қолданылмайтын өнімнің зарядын босатып, балалардың қолы жетпейтін құрғақ және жабық жерге сақтауға қойыңыз.
- ▶ Өнім мен керек-жарақта зақымдардың бар-жоғын тексеріңіз. Қозғалмалы бөлшектерде зақымдар жоқ екенін тексеріңіз. Олар сыналанусыз, еркін қозғалуы керек.
 - ▶ Барлық бөлшектер дұрыс орнатылуы және өнімнің дұрыс жұмысын қамтамасыз ететін барлық шарттарға сай болуы керек. Зақымдалған бөлшектерді осы нұсқаулықта басқа нұсқаулар болмаса, арнайы Hilti қызмет көрсету орталығында жөндеу немесе ауыстыру керек.
- ▶ Жұмысты бастамас бұрын, жұмыс аймағындағы электрлік сымдар, газ бен су құбырлары жабық екендігіне көз жеткізіңіз. Қуыт сымына, газ немесе су құбырына зақым келтірген жағдайда, өнімнің сыртындағы металл бөліктер ток соғуға немесе жарылысқа әкелуі мүмкін.
- ▶ Бекіту элементтерін жарамсыз астыңғы бетке қондырмаңыз:
 - ▶ Жарамсыз материалдарға дәнекерленген болат пен құйылған болат, шойын, әйнек, мәрмәр, пластик, қола, жез, мыс, оқшаулағыш материал, қуыс кірпіш, керамикалық кірпіш, жіңішке жалпақ металл (< 4 мм) және газбетон жатады. Мұндай материалдарға қондырған жағдайда, бекіту элементі сынуы, материал бұзылуы немесе тесіліп қалуы мүмкін.



- ▶ Өнімнің тартпасын, тек өнім астыңғы бетке басылған кезде басыңыз.
- ▶ Бекіту элементінің астыңғы беттен ауытқып кетуін болдырмау үшін қондыру барысында өнімді әрдайым астыңғы бетке қарай тіке ұстаңыз.
- ▶ Тұтқыштарды таза, құрғақ, май іздерінсіз ұстаңыз.
- ▶ Өнімнің құлауына жол бермеңіз.
- ▶ Қорапты тұтқыш ретінде пайдаланбаңыз.
- ▶ Арнайы рұқсат берілмеген болса, өнімді өрт немесе жарылыс қаупі бар жерлерде қолданбаңыз.
- ▶ Бар саңылаулардың ішіне **Hilti** компаниясы ұсыныс бергеннен басқа (мысалы, DX-Kwik) ешқандай элементтер салмаңыз.

Механикалық сақтық шаралары

- ▶ Өнімде, әсіресе піспекте қандай да бір манипуляциялар жасауға немесе өзгертулер енгізуге тыйым салынады.
- ▶ Өніммен бірге тек бекітілген және рұқсат етілген бекіту элементтерін қолданыңыз.

Термиялық сақтық шаралары

- ▶ Ұсынылатын ең жоғары қондыру жылдамдығынан асырмаңыз.
- ▶ Өнім қатты қызып кетсе, оны суытыңыз.
- ▶ Қатты қызған өнімді бөлшектемеңіз. Өнімді суытыңыз.

2.4 Аккумулятормен дұрыс жұмыс істеу және оны дұрыс пайдалану

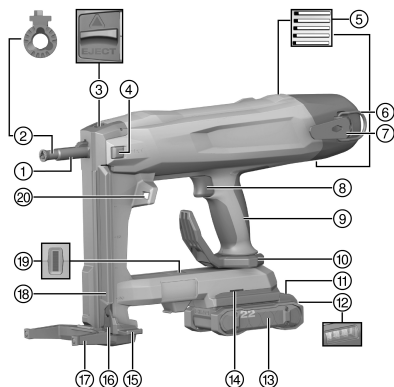
- ▶ **Литий-иондық аккумуляторларды пайдалану және күту бойынша төмендегі қауіпсіздік шараларын орындаңыз.** Нұсқауларды орындамау тері тітіркенуіне, ауыр тот басқыш жарақаттарға, химиялық күйіктерге, өртенуге және/немесе жарылысқа апарып соғуы мүмкін.
- ▶ Аккумуляторларды тек техникалық мінсіз күйінде қолданыңыз.
- ▶ Зақымдалуды болдырмау және денсаулыққа қатты зиян келтіре алатын сұйықтықтардың шығуына жол бермеу үшін аккумуляторларды абайлап қолданыңыз!
- ▶ Аккумуляторларды ешбір жағдайда модификациялауға немесе құрылымына өзгеріс енгізуге болмайды!
- ▶ Аккумуляторларды бөлшектеуге, қысуға, 80°C (176°F) жоғары температураға дейін қыздыруға және жағуға тыйым салынады.
- ▶ Соққы тиген немесе басқаша зақымдалған аккумуляторларды пайдаланбаңыз немесе зарядтамаңыз. Аккумуляторларда зақымдалу белгілерінің бар-жоғын жүйелі түрде тексеріп тұрыңыз.
- ▶ Еш жағдайда қайта өңделген немесе жөнделген аккумуляторларды пайдаланбаңыз.
- ▶ Ешқашан аккумуляторды немесе аккумуляторлық электр құралын соқпа құрал ретінде пайдаланбаңыз.
- ▶ Аккумуляторларға ешқашан тікелей күн сәулесі, жоғары температура, ұшқын немесе ашық жалын әсерін тигізбеңіз. Бұл жарылысқа апарып соғуы мүмкін.
- ▶ Батарея полюсіне саусақпен, құралдармен, әшекеймен немесе басқа да электр тогын өткізетін бөгде заттармен тиеңіз. Бұл аккумуляторға зақым келтіруі, сондай-ақ мүлікке залал келтіруі және жарақат алуға әкелуі мүмкін.
- ▶ Аккумуляторларды жаңбыр, ылғал мен сұйықтықтарда алшақ ұстаңыз. Еніп кеткен ылғал қысқа тұйықталу, ток соғу, күйіп қалу, өртену және жарылыс қаупін тудыруы мүмкін.
- ▶ Тек осы аккумулятор түрі үшін көзделген зарядтағыш құрылғылар мен электр құралдарын пайдаланыңыз. Бұл ретте тиісті пайдалану бойынша нұсқаулықтардағы мәліметтерге назар аударыңыз.
- ▶ Аккумуляторды жарылғыш орталарда пайдаланбаңыз немесе сақтамаңыз.
- ▶ Егер тиген кезде аккумулятор тым ыстық болса, ол ақаулы болуы мүмкін. Аккумуляторды тұтанғыш материалдардан жеткілікті қашықтықта орналасқан, жақсы көрінетін, тұтанбайтын жерге қойыңыз. Аккумуляторды суытыңыз. Аккумулятор бір сағаттан кейін әлі де қолға ыстық болып тұрса, бұл оның ақаулы екендігін білдіреді. **Hilti** қызмет көрсету орталығына жолығыңыз немесе «Қауіпсіздік және **Hilti** Li-Ion аккумуляторын пайдалану бойынша нұсқаулар» атты құжатты оқып шығыңыз.



Литий-иондық аккумуляторларды тасымалдау, сақтау және пайдалану үшін қолданылатын арнайы директиваларды ескеріңіз.

Аталмыш пайдалану бойынша нұсқаулықтың соңындағы QR кодын сканерлеу арқылы табуға болатын **Hilti** Li-Ion аккумуляторларына арналған қауіпсіздік және пайдалану бойынша нұсқауларды оқып шығыңыз.



3.1 Өнімге шолу


- ① Аспаптың шығыңқы жері
- ② бекіту бағыттауышы
- ③ Бекіту бағыттауышының құлпы
- ④ Бөлек қондыру ажыратқышы (BX 3-ME-22)
- ⑤ Желдету ойықтары
- ⑥ Құрал ұстағыш арқанына арналған ілмек
- ⑦ Белдікке ілуге арналған ілгек
- ⑧ Сақтандырғыш ажыратқыш
- ⑨ Тұтқа
- ⑩ Белдікті ілмек/арматуралық ілмек
- ⑪ Аккумуляторды босату түймесі
- ⑫ Аккумулятордың күй индикаторы
- ⑬ Li-Ion аккумуляторы
- ⑭ Керек-жарақтарға арналған монтаждық саңылау
- ⑮ Шеге жапқышы
- ⑯ Шеге жапқышын құлыптан босату
- ⑰ Тірек
- ⑱ Қорап
- ⑲ Қондыру құралының күй индикаторы
- ⑳ Жұмыс орнындағы жарықтандыру

3.1.1 Жабдықталған

Бекіту бағыттауышы мен тірек өнімге байланысты болады. Төмендегі кестеде өнімдегі бекіту бағыттауышы мен тірек көрсетілген.

Қосымша ақпаратты шабадан қақпағында, **Hilti Store** дүкенінен немесе мына веб-сайттан қараңыз: www.hilti.group

| Өнім | BX 3-22 | BX 3-L-22 | BX 3-ME-22 |
|--------------------|---------------|---------------|---------------|
| бекіту бағыттауышы | X-FG B3 IF 02 | X-FG B3 IF 02 | X-FG B3 ME |
| Тірек | X-SL B3 03 | X-SL B3 03 | X-SL B3 ME 03 |

3.2 Мақсатына сай қолдану

Өнім қолмен басқарылатын аккумуляторлық қондыру құралы болып табылады. Ол арнайы өндірілген бекіту элементтерін бетон, болат, кірпіш қалау, силикаттық кірпіш пен басқа да тікелей монтаждауға арналған беттерге орнатуға арналған. Өнім, сонымен қатар, арнайы бекіту элементтері пайдаланылған жағдайда электрлік сымдарды қысқыштармен бекітуге де арналған. Тек рұқсат етілген бекіту элементтерін оларға арналған бекіту бағыттауышымен бірге қолданыңыз («Техникалық деректер» бөлімін қараңыз).

Қондыру құралы, аккумулятор мен бекіту элементі техникалық жиынды құрайды. Бұл осы қондыру құралымен қалыпты бекіту әрекетіне тек арнайы өндірілген **Hilti** бекіту элементтерін және **Hilti** компаниясы ұсынған зарядтағыш құрылғылар мен аккумуляторлар пайдаланылған кезде ғана кепілдік берілетінін білдіреді. Осы шарттарды сақтағанда **Hilti** компаниясы берген бекіту және қолдану бойынша ұсыныстар ғана қолданылады.

- ▶ Қондыру құралын тек қолмен пайдалануға рұқсат беріледі.
- ▶ Қате қолданыстар сөспек алынбайды. Қате пайдалануға өте жұмсақ астыңғы бетке (мысалы, ағаш) орнату және тым қатты астыңғы бетке (мысалы, өте қатты болат немесе өте қатты табиғи тас) орнату жатады.
- Бұл өнім үшін тек В 22 сериялы **Hilti** Nuron Li-Ion аккумуляторларын пайдаланыңыз. **Hilti** компаниясы бұл өнім үшін оңтайлы қуатқа қол жеткізу мақсатында осы пайдалану бойынша нұсқаулықтың соңындағы кестеде көрсетілген аккумуляторларды пайдалануға кеңес береді.
- Бұл аккумуляторлар үшін тек осы пайдалану бойынша нұсқаулықтың соңындағы кестеде белгіленген серияларға жататын **Hilti** зарядтағыш құрылғыларын қолданыңыз.



3.3 Сақтандырғыш құрылғылар

Қорап режимінде, шеге анықтау функциясы қате орнатуды, ал нәтижесінде қондыру құралындағы зақымдарды болдырмауы тиіс.

Бекіткіш шегелердің бос тұруына жол бермеуі тиіс. Қондыру құралы қорап режимінде тек орнатылған шегемен қысылуы және босатылуы мүмкін.

3.4 Сипаттамалар

Қондыру құралы эргономикалық, сырғымайтын және дірілді басатын тұтқышпен, белдікті және арматуралық ілмекпен, сондай-ақ тірекпен жабдықталған. Қондыру құралы артық жүктемеден қорғаныс арқылы артық жүктемеден, ал температураны бақылау құралы арқылы қатты қызудан қорғалған.

3.5 Қондыру құралының күй индикаторы

Қондыру құралының күй индикаторы қондыру құралының күйі туралы мәліметтер береді.

| Құралдың бөлшектері | Сипаттамасы |
|--|---|
| Жарық диоды өшірулі | Қондыру құралы өшірілген |
| Жарық диоды жасыл түспен жанады. | Қондыру құралы қосылған және пайдалануға дайын |
| Жарық диоды жасыл түспен жыпылықтайды. | Акумулятор қатты қызып кетті немесе акумулятор заряды тым төмен |
| Жарық диоды 3 секунд бойы жасыл түспен жыпылықтайды. | Қондыру құралы күту режимінде, аспаптың шығыңқы жері басылғанда қондыру құралы қосылады |
| Жарық диоды көк түспен жанады. | Қондыру құралы қосылған, шеге таспасы салынуы тиіс |
| Жарық диоды көк түспен жыпылықтайды. | Қондыру құралы қосылған, қорап толықтай бос |
| Жарық диоды сары түспен жыпылықтайды. | Қондыру құралы қатты қызып кетті, ақаулықтар кестесін қараңыз |
| Жарық диоды қызыл түспен жыпылықтайды. | Аспап ақаулығы, ақаулықтар кестесін қараңыз |
| Жарық диоды қызыл түспен жанады. | Аспап ақаулығы, ақаулықтар кестесін қараңыз |

3.6 Li-Ion акумуляторының индикаторлары

Hilti Nuron Li-Ion акумуляторлары акумуляторлардың заряд деңгейін, ақаулық туралы хабарларын және күйін көрсете алады.

3.6.1 Заряд деңгейінің және ақаулық туралы хабарлардың индикаторлары



ЕСКЕРТУ

Жарақат алу қаупі акумулятордың құлауынан!

- ▶ Акумулятор өнгізілген кезде, құлыптан босату түймесін басқаннан кейін акумулятордың пайдаланылатын өнімге тиісінше бекітілгеніне көз жеткізіңіз.

Төмендегі индикация көрсеткіштерінің біріне қол жеткізу үшін акумулятордың құлыптан босату түймесін қысқаша басыңыз.

Заряд деңгейі және ықтимал ақаулықтар жалғанған өнім қосылып тұрған кезде үздіксіз көрсетіледі.

| Құралдың бөлшектері | Сипаттамасы |
|---|---|
| Төрт (4) жарық диоды жасыл түспен тұрақты жанып тұр | Заряд деңгейі: 100% және 71% аралығында |
| Үш (3) жарық диоды жасыл түспен тұрақты жанып тұр | Заряд деңгейі: 70% және 51% аралығында |
| Екі (2) жарық диоды жасыл түспен тұрақты жанып тұр | Заряд деңгейі: 50% және 26% аралығында |
| Бір (1) жарық диоды жасыл түспен тұрақты жанып тұр | Заряд деңгейі: 25% және 10% аралығында |



| Құралдың бөлшектері | Сипаттамасы |
|--|---|
| Бір (1) жарық диоды жасыл түспен баяу жыпылықтайды | Зарядтау күйі: < 10% |
| Бір (1) жарық диоды жасыл түспен жылдам жыпылықтайды | Li-Ion аккумуляторының заряды толықтай таусылды. Аккумуляторды зарядтаңыз. Жарық диоды аккумуляторды зарядтағаннан кейін сонда да жылдам жыпылықтаса, Hilti қызмет көрсету орталығына хабарласыңыз. |
| Бір (1) жарық диоды сары түспен жылдам жыпылықтайды | Li-Ion аккумуляторы немесе оған байланысты өнімге артық жүктеме түсті, қатты қызып кетті немесе басқа ақаулық орын алды. Өнім мен аккумуляторды ұсынылған жұмыс температурасына жеткізіңіз және өнімді пайдаланған кезде оған артық жүктеме түсірмеңіз. Хабар көрсетіле берсе, Hilti қызмет көрсету орталығына хабарласыңыз. |
| Бір (1) жарық диоды сары түспен жанып тұр | Li-Ion аккумуляторы және оған қосылған өнім үйлесімді емес. Hilti қызмет көрсету орталығына хабарласыңыз. |
| Бір (1) жарық диоды қызыл түспен жылдам жыпылықтайды | Li-Ion аккумуляторы құлыптаулы және оны бұдан былай пайдалану мүмкін емес. Hilti қызмет көрсету орталығына хабарласыңыз. |

3.6.2 Аккумулятор күйін көрсететін индикаторлар

Аккумулятордың күйін шақыру үшін құлыптан босату түймесін үш секундтан артық басып тұрыңыз. Жүйе құлату, тесу, сыртқы жылудан зақым келтіру және т.с.с. қате қолданудан туындаған батареяның ақаулығын анықтамайды.

| Құралдың бөлшектері | Сипаттамасы |
|---|--|
| Барлық жарық диодтары жұмыс шамы ретінде жанады, содан кейін бір (1) жарық диоды жасыл түспен тұрақты жанады. | Аккумуляторды ары қарай пайдалануға болады. |
| Барлық жарық диодтары жұмыс шамы ретінде жанады, содан кейін бір (1) жарық диоды сары түспен жылдам жыпылықтайды. | Аккумулятор күйі туралы сұрауды орындау мүмкін болмады. Әрекетті қайталаңыз немесе Hilti қызмет көрсету орталығына жолығыңыз. |
| Барлық жарық диодтары жұмыс шамы ретінде жанады, содан кейін бір (1) жарық диоды қызыл түспен тұрақты жанады. | Жалғанған өнімді ары қарай пайдалану мүмкін болса, бұл қалған аккумулятор қуатының 50% шамасынан төмен болғанын білдіреді. Жалғанған өнімді ары қарай пайдалану мүмкін болмаса, бұл аккумулятордың қызмет ету мерзімі аяқталғанын және оны алмастыру керек екендігін білдіреді. Hilti қызмет көрсету орталығына хабарласыңыз. |

3.7 Bluetooth® (қосымша)

Bluetooth® сөз белгісі және кескін белгілері (логотиптер) Bluetooth SIG, Inc. корпорациясының тіркелген сауда белгілері және жеке меншігі болып табылады. Аталмыш сөз белгісінің/кескін белгілерінің **Hilti** акционерлік қоғамының тарапынан кез келген жолмен пайдаланылуы лицензия бойынша жүзеге асады.

3.7.1 Мақсаты бойынша пайдалану

Бұл өнім Bluetooth® Low Energy Module модулімен жабдықталған, бұл модуль электр құралының күйін тексеруге және реттеулер мен деректерді Bluetooth® радио технологиясы арқылы тасымалдауға мүмкіндік береді, сымсыз дерек тасымалы екі Bluetooth қолдайтын өнімнің қысқа арақашықтықта бір-бірімен байланысуына мүмкіндік береді. Бұл өнім мобильді телефондармен және **Hilti** шлюздарымен байланысқа және дерек тасымалына мүмкіндік беру үшін әзірленген. Өнім сигналы қабылданатын ақырғы құрылғылардың орналасқан жері, жұмыс уақыты, пайдалану әрекеттерінің жалпы саны, көшіру аралығының және уақыт белгісінің барысындағы пайдалану әрекеттерінің саны сияқты дерек сипаттарын



тарата алады. Ұсынылатын өзара байланыс функциялары туралы ақпаратты тиісті Hilti қолданбасында немесе пайдаланылатын электр құралының пайдалану бойынша нұсқаулығында табуға болады.

3.7.2 Bluetooth® арқылы деректерді тасымалдау

Тарату аралығы өнімнің қолжетімді энергия көзіне байланысты өзгешеленуі мүмкін. Қол жеткізу қашықтығы сыртқы шарттарға, соның ішінде пайдаланылатын қабылдағыш құрылғының шарттарына байланысты қатты өзгешеленуі мүмкін. Жабық жайлардың ішінде және металл бөгеттерге (мысалы, қабырғалар, сөрелер, шабадан және т.б.) байланысты Bluetooth® қол жеткізу қашықтығы айтарлықтай азаюы мүмкін. Қоршаған ортаға байланысты электр құралы анықталғанша, көбірек тарату аралығы қажет болуы мүмкін.

Егер электр құралы анықталмаса, төмендегіні тексеріп шығыңыз:

Ақырғы мобильді құрылғыға дейінгі арақашықтық тым үлкен бе?

→ Ақырғы мобильді құрылғы мен электр құралының арасындағы қашықтықты азайтыңыз

3.7.3 Қолданбаны орнату және реттеу

Өзара байланыс функцияларын пайдалану үшін алдымен тиісті Hilti қолданбасын орнату керек.

(1.) Қолданбаны тиісті қолданба дүкені арқылы жүктеп алыңыз.



Тиісті қолданбалар дүкені пайдаланушы тіркелгісін талап етеді.

(2.) Қолданбаны алғаш рет іске қосқаннан кейін тіркелгіңізбен жүйеге кіріп тіркеліңіз.

(3.) Ақырғы мобильді құрылғыңыздың дисплейінде электр құралын ақырғы мобильді құрылғыға қосу үшін барлық келесі қадамдар көрсетіледі.



Алдымен қолданбаның нұсқаулығын толықтай қарап шығыңыз. Осылайша қосу әрекетіне және өзара байланыс функцияларын пайдалануға жақсырақ шолу жасалады.

3.8 Қатты заряд таусылуынан қорғаныс

Өнімде литий-иондық аккумуляторды қатты заряд таусылуынан қорғауға арналған терең ұйқы режимі бар. Осылайша аккумулятор зарядының толық таусылуына жол берілмейді.

- Қатты заряд таусылуынан қорғаныс 360 минуттан кейін іске қосылады.
- Қатты заряд таусылуынан қорғанысты ажырату үшін аккумуляторды шығарып алыңыз да, қайтадан салыңыз.

3.9 Жеткізілім жинағы

қондыру құралы, пайдалану бойынша нұсқаулық.

Өніміңіз үшін рұқсат етілген қосымша жүйелік өнімдерді Hilti Store дүкенінен немесе мына веб-сайттан табуға болады: www.hilti.group

4 Техникалық сипаттамалар

| | BX 3-22 | BX 3-L-22 | BX 3-ME-22 |
|--|-----------------|--------------------|-----------------|
| ЕРТА Procedure 01 стандарты бойынша аккумуляторсыз салмағы | 3,5 кг | 3,5 кг | 3,4 кг |
| Қораптағы шеге ұзындығы | 14 мм ... 30 мм | 14 мм ... 36 мм | 14 мм ... 24 мм |
| Жалғыз жиын режимі үшін шеге ұзындығы | •/• | •/• | 30 мм ... 36 мм |
| Шеге диаметрі | 3 мм | 2,75 мм ... 3,0 мм | 3 мм |
| Қораптың сыйымдылығы | 30 шеге | 30 шеге | 20 шеге |
| Басу жүрісі | 12 мм | 12 мм | 12 мм |



| | BX 3-22 | BX 3-L-22 | BX 3-ME-22 |
|---|-----------------------|-----------------------|-----------------------|
| Басу күші | 50 Н ... 70 Н | 50 Н ... 70 Н | 50 Н ... 70 Н |
| Бөлме температурасындағы ұсынылатын максималды қондыру жиілігі | 700/cap | 700/cap | 700/cap |
| Номиналды кернеу | 21,6 В | 21,6 В | 21,6 В |
| Bluetooth® максималды сәулелену күші | 8 дБм | 8 дБм | 8 дБм |
| Bluetooth жиіліктер диапазоны | 2402 МГц ... 2480 МГц | 2402 МГц ... 2480 МГц | 2402 МГц ... 2480 МГц |
| Сақтау температурасы | -20 °C ... 70 °C | -20 °C ... 70 °C | -20 °C ... 70 °C |
| Жұмыс кезіндегі қоршаған орта температурасы | -17 °C ... 60 °C | -17 °C ... 60 °C | -17 °C ... 60 °C |

4.1 Аккумулятор

| | |
|---|--|
| Аккумулятордың жұмыс кернеуі | 21,6 В |
| Аккумулятор салмағы | Осы пайдалану бойынша нұсқаулықтың соңында қараңыз |
| Жұмыс кезіндегі қоршаған орта температурасы | -17 °C ... 60 °C |
| Сақтау температурасы | -20 °C ... 40 °C |
| Зарядаудың басындағы аккумулятор температурасы | -10 °C ... 45 °C |

4.2 EN 62841 стандарты бойынша шуыл туралы ақпарат және діріл мәні

Осы нұсқауларда көрсетілген дыбыс қысымы мен діріл деңгейі стандартты өлшеу әдісімен өлшенген және оны басқа электр құралдарымен салыстыру үшін пайдалануға болады. Сонымен бірге, ол экспозицияны алдын ала бағалау үшін жарайды.

Берілген деректер электр құралының негізгі жұмысын көрсетеді. Алайда, егер электр құралы басқа мақсаттарда, басқа жұмыс аспаптарымен қолданылса немесе оған қанағаттандырмайтын техникалық қызмет көрсетілсе, деректер өзгеше болуы мүмкін. Осының салдарынан аспаптың бүкіл жұмыс істеу кезеңінде экспозиция айтарлықтай артуы мүмкін.

Экспозицияны дәл анықтау үшін аспап сәндірілген күйде немесе бос жұмыс істейтін уақыт аралықтарын да ескеру керек. Осының салдарынан аспаптың бүкіл жұмыс істеу кезеңінде экспозиция айтарлықтай азаяуы мүмкін.

Пайдаланушыны пайда болатын шуылдан және/немесе дірілден қорғау үшін қосымша сақтық шараларын қолданыңыз, мысалы: электр аспабына және жұмыс аспаптарына техникалық қызмет көрсету, қолдардың жылуын сақтау, жұмыс процестерін дұрыс ұйымдастыру.

Шуыл туралы ақпарат

| | | BX 3-22 | BX 3-L-22 | BX 3-ME-22 |
|---|--------------|----------------|------------------|-------------------|
| Әдеттегі А-түзетілген эмиссиялық дыбыс күшінің деңгейі (шегелер пайдаланылғанда) (L_{WA}) | Бетон | 96 дБ | 96 дБ | 96 дБ |
| | Болат | 100 дБ | 100 дБ | 100 дБ |
| Әдеттегі А-түзетілген эмиссиялық дыбыс қысымының деңгейі (шегелер пайдаланылғанда) (L_{PA}) | Бетон | 85 дБ | 85 дБ | 85 дБ |
| | Болат | 89 дБ | 89 дБ | 89 дБ |
| Жоғарыда берілген шу деңгейлері көрсеткіштерінің дәлсіздігі (K_{WA}, K_{PA}) | | 3 дБ | 3 дБ | 3 дБ |



Бір осьті жалпы діріл мәні (Z бағытында)

| | | BX 3-22 | BX 3-L-22 | BX 3-ME-22 |
|--|-------|----------------------|----------------------|----------------------|
| Дірілдің эмиссиялық көрсеткіші (шегелер пайдаланылғанда), B22 55 аккумуляторымен (a _n) | Бетон | 2,5 м/с ² | 2,5 м/с ² | 2,5 м/с ² |
| | Болат | 3,3 м/с ² | 3,3 м/с ² | 3,3 м/с ² |
| Дірілдің эмиссиялық көрсеткіші (шегелер пайдаланылғанда), B22 85 аккумуляторымен (a _n) | Бетон | 2,9 м/с ² | 2,9 м/с ² | 2,9 м/с ² |
| | Болат | 3,5 м/с ² | 3,5 м/с ² | 3,5 м/с ² |
| Дәлсіздік (K) | | 1,5 м/с ² | 1,5 м/с ² | 1,5 м/с ² |

5 Жұмысқа дайындық

ЕСКЕРТУ

Жарақат алу қаупі абайсыздан қосылу себебінен!

- ▶ Аккумуляторды орнату алдында оған қатысты өнімнің өшірілгеніне көз жеткізіңіз.
- ▶ Аспап реттеулерін орындау немесе қосалқы бөлшектерді алмастыру алдында аккумуляторды шығарыңыз.

Осы құжаттамадағы және өнімдегі қауіпсіздік және ескерту нұсқауларын орындаңыз.

5.1 Аккумуляторды зарядтау

1. Зарядтау алдында зарядтағыш құрылғының пайдалану бойынша нұсқаулығын оқып шығыңыз.
2. Аккумулятордағы және зарядтағыш құрылғыдағы контактілердің таза әрі құрғақ екендігіне көз жеткізіңіз.
3. Аккумуляторды рұқсат етілген зарядтағыш құрылғы ішінде зарядтаңыз. → Бет 152

5.2 Аккумуляторды орнату

ЕСКЕРТУ

Жарақат алу қаупі қысқа тұйықталудан немесе аккумулятордың құлауынан!

- ▶ Аккумуляторды орнату алдында аккумулятор контактілерінде және өнімдегі контактілерде бөгде заттардың жоқтығына көз жеткізіңіз.
- ▶ Аккумулятордың әркез дұрыс орнатылғанына көз жеткізіңіз.

1. Аккумуляторды алғаш рет іске қоспас бұрын зарядтаңыз.
2. Аккумуляторды өнімге шерту дыбысымен тірелгенше кіргізіңіз.
3. Аккумулятордың аспапқа берік бекітілгенін тексеріңіз.

5.3 Аккумуляторды шығару

1. Аккумулятордың құлыптан босату түймесін басыңыз.
2. Аккумуляторды өнімнен шығарыңыз.

5.4 Бекіту бағыттауышын алып тастау

1. Шеге жапқышын бекітілгенше төмен тартыңыз.
2. Қорапты босатыңыз. → Бет 160
3. Бекіту бағыттауышының құлпын сағат бағытымен бекітілгенше жылжытыңыз.
 - ▶ Бекіту бағыттауышы босатылады.
4. Бекіту бағыттауышын шығарыңыз.

5.5 Бекіту бағыттауышын енгізу

1. Шеге жапқышын бекітілгенше төмен тартыңыз.
2. Қорапты босатыңыз. → Бет 160
3. Бекіту бағыттауышының құлпын сағат бағытымен бекітілгенше жылжытыңыз және осы күйде ұстап тұрыңыз.
4. Бекіту бағыттауышын аспа шығыңқы жеріне бекітілгенше жылжытыңыз.



5. Бекіту бағыттаушының құлпын босатыңыз.
 - ▶ Бекіту бағыттаушының құлпы ортаңғы күйге ауысады.
6. Бекіту бағыттаушысын тарту арқылы оның берік орнатылғанын тексеріңіз.

5.6 Белдікті және арматуралық ілмектермен қауіпсіз жұмыс істеу 2

- ▶ Жұмысты бастамас бұрын белдікті/арматуралық ілмек өнімге берік бекітілгеніне көз жеткізіңіз.
- ▶ Белдікті/арматуралық ілмекті қажетті уақыт бойы ғана қолданыңыз. Өнімді ұзақ уақыт бойы пайдаланбайтын болсаңыз, қауіпсіз жерге қойыңыз.

5.7 Биіктен құлаудан қорғаныс 3

ЕСКЕРТУ

Жарақат алу қаупі құралдың және/немесе керек-жарақтың құлауынан!

- ▶ Тек өнім үшін ұсынылған **Hilti** құрал ұстағыш арқанын қолданыңыз.
- ▶ Құрал ұстағыш арқанның бекіту нүктесінде әр пайдалану алдында зақымдардың бар-жоғын тексеріп шығыңыз.
- ▶ Құрал ұстағыш арқанды белдік ілмегіне бекітпеңіз. Белдік ілмегін өнімді көтеру үшін пайдаланбаңыз.



Биік жерде жұмыс істеу бойынша ұлттық нұсқамаларды орындаңыз.

Бұл өнім үшін биіктен құлаудан қорғаныс ретінде тек **Hilti** компаниясы ұсынған #2261970 құрал ұстағыш арқанын қолданыңыз.

- ▶ Құрал ұстағыш арқанын карабинмен бірге суретте көрсетілгендей өнімге бекітіңіз. Карабиннің берік бекітілгенін тексеріңіз.
- ▶ Екінші карабинді жүк көтеретін құрылымға бекітіңіз. Карабиннің берік бекітілгенін тексеріңіз.



Hilti құрал ұстағыш арқанының пайдалану бойынша нұсқаулықтарына назар аударыңыз.

5.8 Қорап режимі үшін жабдықтау 4

АБАЙЛАҢЫЗ

Қысылу қаупі бар! Шеге жапқышының айналып кетуі жарақат алуға және қондыру құралының зақымдалуына апарып соғуы мүмкін.

- ▶ Шеге жапқышын түсіру кезінде оның берік бекітілгеніне көз жеткізіңіз. Шеке жапқышының айналып кетуіне жол бермеңіз.
1. Шеге жапқышын бекітілгенше төмен тартыңыз.
 2. Шеге таспасын қорап ішіне сырғытыңыз (әрқайсысы 10 шеге қамтитын ең көбі 3 таспа).
 3. Шеге жапқышын берік ұстап тұрып, шеге жапқышын босату құралын басыңыз.
 4. Шеге жапқышын шегеге тигенше кері бағыттаңыз.

5.9 Жалғыз жиын режимі үшін жабдықтау

BX 3-ME-22

АБАЙЛАҢЫЗ

Қысылу қаупі бар! Шеге жапқышының айналып кетуі жарақат алуға және қондыру құралының зақымдалуына апарып соғуы мүмкін.

- ▶ Шеге жапқышын түсіру кезінде оның берік бекітілгеніне көз жеткізіңіз. Шеке жапқышының айналып кетуіне жол бермеңіз.
1. Шеге жапқышын бекітілгенше төмен тартыңыз.
 2. Шеге таспасын қораптан сырғытып, қораптың бос екендігіне көз жеткізіңіз.



Жалғыз жиын режиміне орнатпас бұрын барлық шегелерді қораптан шығарып алсаңыз, қондыру құралы зақымдалуы мүмкін.



3. Шеге жапқышын берік ұстап тұрып, шеге жапқышын босату құралын басыңыз.
4. Шеге жапқышын кері бағыттаңыз.
5. Шегені бекіту бағыттауышындағы арнайы ойыққа енгізіңіз. Оған қоса, содан кейін рұқсат етілген бекіту элементін де бекіту бағыттауышына жалғауға болады.



Бекіту бағыттауышына бірнеше шеге енгізу қондыру құралына зақым келтіруі мүмкін. Бекіту бағыттауышын жалғыз жиын режимі үшін бір шегеден асырмай жабдықтаңыз.

6. Жалғыз жиын ауыстырып-қосқышын іске қосыңыз.
 - ▶ Жалғыз жиын ауыстырып-қосқышы бекітіледі.



Егер шеге жапқышы астынан бірнеше сантиметрге ұзын болса, жалғыз жиын ауыстырып-қосқышы қайта босатылады.

6 Қызмет көрсету

Осы құжаттамадағы және өнімдегі қауіпсіздік және ескерту нұсқауларын орындаңыз.

6.1 Тіректі пайдалану

Тегіс бетте тірек тікбұрышты орналастыруға сәйкес орындалуы тиіс қондыру құралының тікбұрышты орнатылуын жеңілдетеді. Тегіс емес бетте бекіту бағыттауышын бетке тікбұрышты орнату үшін тіректі жинау қажет болады.

6.1.1 Тіректі жинау

1. Тірекке қарай басып, оны бекітулі күйінен босатыңыз.
2. Тіректі артқа қайырыңыз.

6.1.2 Тіректі жаю

АБАЙЛАҢЫЗ

Қысылу қаупі бар! Тіректерді түсірген кезде саусақтардың тіректер мен корпустың арасында қысылу қалу қаупі туындайды.

- ▶ Тіректі тұтқышқа түсірген кезде қондыру құралын ұстап тұрыңыз.

1. Тіректі алға қайырыңыз.
2. Тірекке қарай астынан басып, оны жайылған күйіне бекітіңіз.

6.2 Bluetooth функциясын (қосымша) өшіру

- ▶ Қондыру құралын 10 секунд ішінде астыңғы бетке итеріңіз.
 - ▶ 6 секундтан кейін иілімді элемент шерту дыбысымен босайды (қондыру құралын тағы 4 секунд басып тұрыңыз).
 - ▶ Күй индикаторы 3 рет көк түспен жыпылықтайды.
 - ▶ Қозғалтқыш дыбысы 3 рет шығарылады.
 - ▶ Дерек тасымалы бұдан былай мүмкін болмайды.



Bluetooth пайдалануға рұқсат етілмеген ортада (мысалы, ауруханада) болған кезде, Bluetooth функциясын ажыратуға болады.

Bluetooth функциясын қайта қосу үшін аккумуляторды шығарып алыңыз да, қайтадан салыңыз.

6.3 Қондыру құралын қосу/өшіру

6.3.1 Қондыру құралын қосу

ЕСКЕРТУ

Жарақат алу қаупі бар! Қондыру құралын дене мүшесіне қысқан кезде, төмендетудің қате іске қосылуынан ауыр жарақаттар пайда болуы мүмкін.

- ▶ **Қондыру құралын ешқашан қолыңызбен немесе басқа дене мүшесімен қыспаңыз.**

1. Қорап режимінде қорапты жабдықтаңыз. → Бет 158



2. Аккумуляторды орнатыңыз. → Бет 157
 - ▶ Күй индикаторы жасыл түспен баяу жыпылықтайды.



Төмен аккумулятор зарядымен қолданған кезде, қондыру құралы аккумулятор ұялары зақымдалмас бұрын өшеді.

3. Қондыру құралын қосу үшін арнайы астыңғы бетке қарай басыңыз.
 - ▶ Қондыру құралы қысылады.
 - ▶ Күй индикаторы жасыл түспен жанып тұрады.

6.3.2 Қондыру құралын өшіру

- ▶ Аккумуляторды аспаптан шығарыңыз. → Бет 157
- ▶ Иілімді элемент шерту дыбысымен босатылады және күй индикаторы сөнеді.



6 минуттан кейін қондыру құралы қозғалтқыш дыбысын шығарып, қондыру құралының өшуі туралы хабарлайды. Нұсқау берілген соң, қондыру құралы автоматты түрде өшеді.

6.4 Қондыруды орындау



ЕСКЕРТУ

Жарақат алу қаупі тесіп өткен бекіту элементтерінен!

- ▶ Бекіту элементтерін қондыру алдында, бекіту элементі қондырылатын құрамдас бөлшектің артында немесе астында ешкім тұрмағанына көз жеткізіңіз.



ЕСКЕРТУ

Ұшқыш бөлшектерден жарақат алу қаупі бар! Қондыру барысында астыңғы беттен бөлектенген материалдан және шеге таспасынан бөлшектердің лақтырылып қалуынан дене мен көзге жарақат тигізу қаупі бар.

- ▶ **Жеке қорғаныс жабдығын және әрдайым көз қорғанысы мен қорғауыш қолғап киіп жүріңіз.** Тікелей жақындықта орналасқан басқа адамдар да қорғауыш көзілдірік пен қорғауыш шлем киіп жүруі тиіс.



ЕСКЕРТУ

Жарақат алу қаупі бар! Қондыру құралын дене мүшесіне қысқан кезде, төмендетудің қате іске қосылуынан ауыр жарақаттар пайда болуы мүмкін.

- ▶ **Қондыру құралын ешқашан қолыңызбен немесе басқа дене мүшесімен қыспаңыз.**

1. Жұмысты бастамас бұрын, астыңғы бетіңізге 2 бекіту элементін үлгі ретінде қондырыңыз.
2. Қондыру құралын бетке тікбұрышты орнатып, бекіту бағыттауышын бекітілгенше басып тұрыңыз.
 - ▶ Қондыру құралы қосылады.
3. Қауіпсіздік босату құралын басып, аспаптан атуды орындаңыз.
4. Қондыру құралын орнатқаннан кейін астыңғы беттен толығымен көтеріңіз.



Егер бекіту бағыттауышы босатылмай 6 секундтан ұзақ бетке қысылған болса, қондыру құралы автоматты түрде күту режиміне ауысады. Қондыру құралы аспаптың шығыңқы жерін қайтадан астыңғы бетке қондыру арқылы қайтадан толтырылады.

6.5 Шегелерді қорап режимінде шығару

1. Шеге жапқышын бекітілгенше төмен тартыңыз.
2. Шегелерді қораптан астыға қарай шығарыңыз.
3. Шеге жапқышын берік ұстап тұрып, шеге жапқышын босату құралын басыңыз.
4. Шеге жапқышын шығару күйіне артқа бағыптаңыз.

6.6 Қысылған шегелерді босату



ЕСКЕРТУ

Жарақат алу қаупі және қондыру құралының зақымдалуы. Hilti компаниясымен ұсынылған түпнұсқа керек-жарақтардың орнына жарамсыз бөгде заттарды қолдану жарақат алуға және қондыру құралының зақымдалуына апарып соғуы мүмкін.

- ▶ Қысылған шегелерді босату үшін тек ұсынылған ойғыш жинағын пайдаланыңыз.



ЕСКЕРТУ

Ушқыш бөлшектерден жарақат алу қаупі бар! Болт бағыттауышының айналасында бөгде заттар болған кезде немесе бекіту элементтері бекіту бағыттауышына қысылған кезде, қондыру барысында ұшып шығатын бөлшектер салдарынан жарақаттар пайда болуы мүмкін.

- ▶ Ешқашан басқа қондырмаларды қолмен босату арқылы қондыру құралындағы ақаулықтарды жоюға әрекеттенбеңіз!



Бөлек шегелер бекіту бағыттауышында қысылып қалуы мүмкін. X-NP ойғыш жинағының көмегімен қысылған шегелерді бекіту бағыттауышынан шығара аласыз. Керек-жарақтар **Hilti** дүкенінде немесе интернеттен www.hilti.group сайтында қолжетімді.

1. Бекіту бағыттауышын шығарыңыз (қараңыз → Бет 157).
2. Бекіту бағыттауышын ойғыш жинағының көмегімен кіріс төлкесіне салыңыз.
3. Қысылған шегені ойғыш пен балға арқылы бекіту бағыттауышынан шығарыңыз.
4. Бекіту бағыттауышын орнатыңыз (қараңыз → Бет 157).

7 Күтім және техникалық қызмет көрсету

ЕСКЕРТУ

Аккумулятор енгізілген кезде жарақат алу қаупі бар !

- ▶ Күтім және техникалық қызмет көрсету бойынша кез келген жұмыстарды орындамас бұрын әрдайым аккумуляторды шығарыңыз!

Өнімге қызмет көрсету

- Қатты жабысып қалған кірді абайлап кетіріңіз.
- Бар болса, желдету саңылауларын құрғақ, жұмсақ қылшақпен жақсылап тазалаңыз.
- Корпусты сәл суланған шүберекпен ғана тазалаңыз. Ешқандай силикон қамтитын күтім құралдарын пайдаланбаңыз, себебі олар пластик бөліктерге зақым келтіре алады.
- Өнімнің контактілерін тазалау үшін таза, құрғақ шүберекті пайдаланыңыз.

Литий-иондық аккумуляторға қызмет көрсету

- Еш жағдайда желдету саңылаулары бітелген аккумуляторды қолданбаңыз. Желдету саңылауларын құрғақ, жұмсақ қылшақпен жақсылап тазалаңыз.
- Аккумуляторға шаңның немесе кірдің қажетсіз тиюіне жол бермеңіз. Аккумуляторға қатты ылғалдың тиюіне ешқашан жол бермеңіз (мысалы, суға батыру немесе жаңбыр астына қою арқылы). Аккумулятор су болса, оны зақымдалған аккумулятор ретінде қарастырыңыз. Оны тұтанбайтын контейнерге оқшаулап, **Hilti** қызмет көрсету орталығына хабарласыңыз.
- Аккумуляторды бөгде май мен майлағыштан таза ұстаңыз. Аккумуляторда шаң не кірдің қажетсіз жиналуына жол бермеңіз. Аккумуляторды құрғақ, жұмсақ қылшақпен немесе таза, құрғақ шүберекпен тазалаңыз. Ешқандай силикон қамтитын күтім құралдарын пайдаланбаңыз, себебі олар пластик бөліктерге зақым келтіре алады. Аккумулятордың контактілеріне тиіменіз және зауыттан тыс қолданылған майды контактілерден кетіріңіз.
- Корпусты сәл суланған шүберекпен ғана тазалаңыз. Ешқандай силикон қамтитын күтім құралдарын пайдаланбаңыз, себебі олар пластик бөліктерге зақым келтіре алады.

Техникалық қызмет көрсету

- Көзге көрінетін барлық бөлшектерде зақымдардың бар-жоғын және басқару элементтерінің ақаусыз жұмысын жиі тексеріп тұрыңыз.
- Өнім зақымдалған және/немесе ақаулы болған жағдайда, оны пайдаланушы болмаңыз. Өнімді міндетті түрде **Hilti** қызмет көрсету орталығында жөндетіңіз.
- Күтім және техникалық қызмет көрсету жұмыстарынан кейін барлық қорғауш құрылғыларды орнатып, олардың ақаусыз жұмыс істегенін тексеріңіз.



Қауіпсіз қолдану үшін тек түпнұсқа қосалқы бөлшектер мен жұмсалатын материалдарды қолданыңыз. **Hilti** мақұлдаған қосалқы бөлшектер, шығын материалдары мен өнімге арналған керек-жарақтар **Hilti Store** дүкенінде немесе келесі веб-сайтта қолжетімді: www.hilti.group



7.1 Аспап шығыңқы жерінің ішкі жағын тазалау

1. Бекіту бағыттауышын алып тастаңыз. → Бет 157
2. Аспап шығыңқы жерінің ішкі жағын тазалаңыз.
3. Бекіту бағыттауышын енгізіңіз. → Бет 157

8 Аккумуляторлық құралдар мен аккумуляторларды тасымалдау және сақтау

Тасымалдау

АБАЙЛАҢЫЗ

Тасымалдау кезіндегі кенет іске қосылу !

- ▶ Өніміңізді әрдайым аккумуляторын шығарып алып тасымалдаңыз!
- ▶ Аккумуляторларды шығарыңыз.
- ▶ Аспапты әрдайым қорғалған қапта тасымалдау және сақтау керек.
- ▶ Аккумуляторларды ешқашан үймеде тасымалдамаңыз. Тасымалдау барысында аккумуляторларды шамадан артық соққы мен дірілден қорғау және олардың басқа батарея полустерімен жанасуына және қысқа тұйықталудың туындауына жол бермеу үшін кез келген ток өткізгіш материалдардан немесе басқа аккумуляторлардан оқшаулау керек. **Аккумуляторларға арналған жергілікті тасымалдау ережелерін сақтаңыз.**
- ▶ Аккумуляторларды поштамен жіберуге болмайды. Зақымдалмаған аккумуляторларды жіберу қажет болғанда, жеткізуші кәсіпорындарға хабарласыңыз.
- ▶ Өнім мен аккумуляторларды әр пайдаланбас бұрын және ұзақ уақыт бойы тасымалдағаннан кейін зақымдардың бар-жоғын тексеріп шығыңыз.

Сақтау

ЕСКЕРТУ

Бүлінген немесе заряды таусылған аккумуляторлардан күтілмеген зақымдалу !

- ▶ Өніміңізді әрдайым аккумуляторын шығарып алып сақтаңыз!
- ▶ Өнім мен аккумуляторларды салқын әрі құрғақ жерде сақтаңыз. Техникалық деректерде көрсетілген температураның шектік мәндерін ескеріңіз.
- ▶ Аккумуляторларды зарядтағыш құрылғының ішінде сақтамаңыз. Аккумуляторды зарядтағаннан кейін әрдайым зарядтағыш құрылғыдан шығарыңыз.
- ▶ Аккумуляторларды ешқашан күн астында, жылу көздерінің астында немесе әйнек артында сақтамаңыз.
- ▶ Өнім мен аккумуляторларды балалар мен рұқсаты жоқ адамдардың қолы жетпейтін жерде сақтаңыз.
- ▶ Өнім мен аккумуляторларды әр пайдаланбас бұрын және ұзақ уақыт бойы сақтағаннан кейін зақымдардың бар-жоғын тексеріп шығыңыз.

9 Ақаулықтардағы көмек

Егер басқаша көрсетілмесе, сипатталған барлық жарық сигналдары қондыру құралының күй индикаторына байланысты болады. Кез келген ақаулар орын алған жағдайда, аккумулятордың заряд деңгейі мен ақау индикаторына назар аударыңыз. **Li-Ion аккумуляторларының индикаторлары** бөлімін қараңыз.

Бұл кестеде келтірілмеген немесе өзіңіз түзете алмайтын ақаулықтар орын алғанда, **Hilti** қызмет көрсету орталығына хабарласыңыз.

| Ақаулық | Ықтимал себеп | Шешім |
|---|-------------------------|--|
| Күй индикаторы жасыл түспен жыпылықтайды. | Аккумулятор заряды бос. | ▶ Аккумуляторды алмастырыңыз. |
| Илімді элемент керілмеген, күй индикаторы жасыл түспен жыпылықтайды. | Аккумулятор заряды бос. | ▶ Аккумуляторды алмастырыңыз. |
| Бекіту бағыттауышын басу мүмкін емес және күй индикаторы көк түспен жанып тұр. | Қорап бос. | ▶ Қорап режимінде қорапты жабдықтаңыз. → Бет 158 |



| Ақаулық | Ықтимал себеп | Шешім |
|--|---|--|
| Бекіту бағыттауышын басу мүмкін емес және күй индикаторы жасыл түспен жанып тұр. | Шеге жапқышы қысылып қалды. | ► Шеге таспасын қораптан шығарып, қорапты тазалаңыз. |
| | Шеге бекіту бағыттауышында қысылды. | ► Қысылған шегелерді босатыңыз. → Бет 160 |
| Иілімді элемент баяу тартылады, күй индикаторы көк түспен жыпылықтайды, дәл сол уақытта дыбыстық сигнал беріледі; содан кейін 6 минут ішінде күй индикаторы көк түспен жанып тұрады. | Қорап бос. | ► Қорап режимінде қорапты жабдықтаңыз. → Бет 158 |
| Иілімді элемент босатылмайды және күй индикаторы сары түспен жыпылықтайды. | Қондыру құралындағы температура шамадан артық. | ► Қондыру құралын суытыңыз. |
| | Аккумулятор температурасы тым жоғары. | ► Аккумуляторды суытыңыз. |
| | Аккумулятор температурасы тым төмен. | ► Аккумуляторды ұзақ уақытта бөлме температурасында жылытыңыз. |
| Иілімді элемент тартылмайды және күй индикаторы қызыл түспен жыпылықтайды. | Бекіту бағыттауышы дұрыс енгізілмеген. | ► Бекіту бағыттауышын енгізіңіз. → Бет 157 |
| Иілімді элемент тартылмайды және күй индикаторы қызыл түспен жанады. | Аспап қатесі. | ► Hilti қызмет көрсету орталығына жолығыңыз. |
| Иілімді элемент тартылмаған; күй индикациясы өшірулі. | Аккумулятор заряды бос. | ► Аккумуляторды алмастырыңыз. |
| | Аккумулятор дұрыс енгізілмеген. | ► Аккумуляторды шығарып алыңыз да, тиісінше салыңыз. → Бет 157 |
| | Қатты заряд таусылуынан қорғаныс іске қосылған. | ► Аккумуляторды шығарып алыңыз да, қайтадан салыңыз. |
| Бекіту бағыттауышы басылған күйде қысылды. | Бекіту бағыттауышы мен аспап шығыңқы жері арасындағы ластану. | ► Аспап шығыңқы жерінің ішкі жағын тазалаңыз. → Бет 162 |

10 Кәдеге жарату

ЕСКЕРТУ

Қате жолмен кәдеге жаратудан жарақат алу қаупі бар! Газдардың немесе сұйықтықтардың шығуынан денсаулыққа зиян келтіру қаупі бар.

- Зақымдалған аккумуляторларды жіберуге немесе жөнелтуге болмайды!
- Қысқа тұйықталуға жол бермеу үшін, қосылымдарды ток өткізбейтін материалмен жауып қойыңыз.
- Аккумуляторларды балалардың қолына жетпейтіндей етіп кәдеге жаратыңыз.
- Аккумуляторды **Hilti Store** дүкенінде кәдеге жаратыңыз немесе жергілікті кәдеге жарату кәсіпорнына хабарласыңыз.

Hilti өнімдері қайта өңдеу үшін жарамды көптеген материалдардың санынан тұрады. Кәдеге жарату алдында материалдарды мұқият сұрыптау керек. Көптеген елдерде **Hilti** компаниясы ескі аспаптарды кәдеге жарату үшін қабылдайды. **Hilti** қызмет көрсету орталығынан немесе дилерден сұраңыз.



- Электр құралдарды, электрондық құрылғылар мен аккумуляторларды тұрмыстық қоқыспен бірге тастамаңыз!



11 Өндіруші кепілдігі

- ▶ Кепілдік шарттары туралы сұрақтарыңыз болса, жергілікті Hilti серіктесіне жолығыңыз.

12 Қосымша ақпарат

Басқару, техника, қоршаған орта және қайта өңдеу туралы қосымша ақпаратты мына сілтеме бойынша қараңыз: qr.hilti.com/manual?id=2268212&id=2268213

Бұл сілтеме құжаттаманың соңында QR коды ретінде қолжетімді.

Оригинално Ръководство за експлоатация

1 Дәлелдер за документацията

1.1 Към настоящата документация

- Преди въвеждане в експлоатация прочетете настоящата документация. Това е предпоставка за безопасна работа и безаварийна употреба.
- Съблюдавайте указанията за безопасност и предупреждение в настоящата документация и върху продукта.
- Съхранявайте Ръководството за експлоатация винаги заедно с продукта и предавайте продукта на други лица само заедно с настоящото ръководство.

1.2 Условни обозначения

1.2.1 Предупредителни указания

Предупредителните указания предупреждават за опасност в зоната около продукта. Използват се следните сигнални думи:

ОПАСНОСТ

ОПАСНОСТ !

- ▶ Отнася се за непосредствена опасност от заплаха, която води до тежки телесни наранявания или смърт.

ПРЕДУПРЕЖДЕНИЕ

ПРЕДУПРЕЖДЕНИЕ !

- ▶ Отнася се за възможна опасност от заплаха, която може да доведе до тежки телесни наранявания или смърт.






ПРЕДПАЗЛИВОСТ

ВНИМАНИЕ !

- ▶ Отнася се за възможна опасна ситуация, която може да доведе до телесни наранявания или материални щети.

1.2.2 Символи в Ръководството за експлоатация

В настоящото Ръководство за експлоатация се използват следните символи:

| | |
|---|---|
|  | Да се съблюдава Ръководството за експлоатация |
|  | Препоръки при употреба и друга полезна информация |
|  | Боравене с рециклируеми материали |
|  | Не изхвърляйте електроуреди и акумулатори в битовите отпадъци |
|  | Hilti Литиево-йонен акумулатор |



Hilti Зарядно устройство

1.2.3 Символи във фигурите

Във фигурите се използват следните символи:

| | |
|---|--|
| | Тези числа препращат към съответната фигура в началото на настоящото Ръководство за експлоатация. |
| 3 | Номерацията възпроизвежда последователното изпълнение на работните стъпки в изображението и може да се различава от работните стъпки в текста. |
| | Позиционните номера се използват във фигурата Преглед и препращат към номерата на легендата в Раздел Преглед на продукта . |
| | Този знак трябва да привлече Вашето специално внимание при работа с продукта. |

1.3 Символи в зависимост от продукта

1.3.1 Символи върху продукта

Върху продукта може да се използват следните символи:

| | |
|--------|--|
| | Общи задължителни означения |
| | Да се използва защита за очите |
| | Да се използват антифони |
| | Да се използва защитна каска |
| | Продуктът поддържа NFC-технология, която е съвместима с iOS- и Android платформи. |
| Li-Ion | Литиево-йонен акумулатор |
| | Никога не използвайте акумулатора като ударен механизъм. |
| | Не оставяйте акумулатора да падне. Не използвайте акумулатор, който е бил ударен или е повреден по друг начин. |

1.4 Информация за продукта

Продуктите са предназначени за професионални потребители и могат да бъдат обслужвани, поддържани в изправност и ремонтирани само от оторизирани компетентен персонал. Този персонал трябва да бъде специално инструктиран за възможните опасности. Продуктът и неговите приспособления могат да бъдат опасни, ако бъдат експлоатирани неправомерно от неквалифициран персонал или ако бъдат използвани не по предназначение.

Обозначението на типа и серийният номер са отбелязани върху типовата табелка.

- ▶ Пренесете серийния номер в представената по-долу таблица. Вие се нуждаете от данните за продукта, когато се обръщате с въпроси към нашето представителство или сервизен отдел.

Данни за продукта

| | |
|-------------------------|----------------------------------|
| Уред за директен монтаж | BX 3-22 BX 3-L-22 BX 3-ME-22 |
| Поколение | 03 |
| Сериен № | |

1.5 Декларация за съответствие

Производителят декларира на собствена отговорност, че описаният тук продукт отговаря на приложимото законодателство и действащите стандарти. Копие на Декларацията за съответствие ще намерите в края на настоящата документация.

Техническата документация се съхранява тук:

Hilti Entwicklungsgesellschaft mbH | Zulassung Geräte | Hiltistraße 6 | 86916 Kaufering, DE



2.1 Общи указания за безопасност при електроинструменти

⚠ ПРЕДУПРЕЖДЕНИЕ Прочетете всички указания за безопасност, инструкции, илюстрации и технически характеристики, с които е снабден този електроинструмент. Пропуски при спазване на приведените по-долу инструкции могат да предизвикат електрически удар, пожар и/или тежки наранявания.

Съхранявайте всички указания за безопасност и инструкции за бъдещи справки.

Използването в указанията за безопасност понятие "електроинструмент" се отнася до захранвани от електрическата мрежа електроинструменти (със захранващ кабел) или до захранвани от акумулатор електроинструменти (без захранващ кабел).

Безопасност на работното място

- ▶ **Поддържайте работното си място чисто и добре осветено.** Безпорядъкът или недостатъчното осветление в работната зона може да доведат до злополуки.
- ▶ **Не работете с електроинструмента във взривоопасна среда, където има горими течности, газове или прах.** В електроинструментите се отделят искри, които могат да възпламенят прахове или изпарения.
- ▶ **Дръжте деца и странични лица на безопасно разстояние, докато работите с електроинструмента.** Ако вниманието Ви бъде отклонено, може да загубите контрол върху уреда.

Безопасност при работа с електроинструменти

- ▶ **Съединителният щепсел на електроинструмента трябва да бъде подходящ за контакта.** В никакъв случай не се допуска изменение на конструкцията на щепсела. Ако работите със заземени електроинструменти, не използвайте адаптери за щепсела. Използването на оригинални щепсели и подходящи контакти намалява риска от електрически удар.
- ▶ **Избягвайте допира на тялото Ви до заземени повърхности като тръби, отоплителни уреди, печки и хладилници.** Рискът от възникване на електрически удар се увеличава, ако тялото Ви е заземено.
- ▶ **Предпазвайте електроинструментите от дъжд или влага.** Проникването на вода в електроинструмента повишава опасността от възникване на електрически удар.
- ▶ **Не използвайте съединителния проводник за цели, за които не е предназначен, напр. за носене на електроинструмента, за окачване или за изваждане на щепсела от контакта.** Предпазвайте съединителния проводник от нагряване, масла, остри ръбове или движещи се части. Повредени или усукани съединителни проводници увеличават риска от електрически удар.
- ▶ **Ако работите с електроинструмент на открито, използвайте само удължителни кабели, които са подходящи и за работа навън.** Използването на удължителен кабел, предназначен за работа на открито, намалява риска от електрически удар.
- ▶ **Ако не можете да избегнете работа с електроинструмента във влажна среда, използвайте ключ с вградена дефектнотокова защита.** Използването на ключ с вградена дефектнотокова защита намалява риска от електрически удар.

Безопасен начин на работа

- ▶ **Бъдете концентрирани, следете внимателно действията си и постъпвайте разумно при работа с електроинструменти. Не използвайте електроинструмент, ако сте уморени или се намирате под въздействие на наркотици, алкохол или медикаменти.** Само един момент на невнимание при използването на електроинструмента може да доведе до сериозни наранявания.
- ▶ **Носете лични предпазни средства и работете винаги със защитни очила.** Носенето на лични предпазни средства, като прахозащитна маска, безопасасни обувки със стабилен грайфер, защитна каска или антифони, според вида и употребата на електроинструмента, намалява риска от наранявания.
- ▶ **Избягвайте неволно включване на електроинструмента. Уверете се, че електроинструментът е изключен, преди да го свържете към електрозахранването и/или акумулатора, преди да го вземате или пренасяте.** Ако при носене на електроинструмента дръжте пръста си върху пусковия прекъсвач или ако свържете включения уред към електрозахранването, съществува опасност от злополука.
- ▶ **Преди да включите електроинструмента, се уверете, че сте отстранили от него всички инструменти за настройка или гаечни ключове.** Инструмент или ключ, който се намира на въртящо се зено, може да доведе до наранявания.
- ▶ **Избягвайте неудобните положения на тялото. Работете при стабилно положение на тялото и пазете равновесие във всеки един момент.** Така ще можете да контролирате електроинструмента по-добре, ако възникнат неочаквани ситуации.



- ▶ **Работете с подходящо облекло.** Не работете с широки и дълги дрехи или украшения. Дръжте косата си, дрехите си и ръкавиците си на безопасно разстояние от въртящи се части. Свободните дрехи, украшенията или дългите коси могат да бъдат захванати и увлечени от въртящи се части.
- ▶ **Ако е възможно монтирането на съоръжения за събиране и изсмукване на прах, се уверете, че те са включени и се използват правилно.** Използването на прахоуловител може да намали породените от прахове опасности.
- ▶ **Не се поддавайте на измамното усещане за сигурност и не пренебрегвайте правилата за безопасност за електроинструменти дори и след като много добре сте опознали електроинструмента и сте го използвали многократно.** Нехайното действие може да доведе за части от секундата до тежки наранявания.

Използване и обслужване на електроинструмента

- ▶ **Не претоварвайте уреда.** Използвайте електроинструмента само съобразно неговото предназначение. Ще работите по-добре и по-безопасно, ако използвате подходящия електроинструмент в посочения диапазон на мощност.
- ▶ **Не използвайте електроинструмент, чийто прекъсвач е повреден.** Електроинструмент, който не може повече да бъде включван или изключван, е опасен и трябва да бъде ремонтиран.
- ▶ **Издадете щепсела от контакта и/или отстранете разглобения акумулатор, преди да предприемете действия по настройките на уреда, смяната на принадлежности или прибирането на уреда.** Тази предпазна мярка предотвратява опасността от задействане на електроинструмента по невнимание.
- ▶ **Съхранявайте неизползвани в момента електроинструменти далеч от достъпа на деца.** Не допускайте използването на уреда от лица, които не са запознати с него или не са прочели настоящите инструкции. В ръцете на неопитни потребители електроинструментите могат да бъдат опасни.
- ▶ **Отнасяйте се грижливо към електроинструменти и принадлежности.** Проверявайте дали подвижните елементи функционират безупречно и не заклинват, дали има счупени или повредени части, които нарушават функциите на електроинструмента. Преди да използвате уреда, дайте повредените части за ремонт. Много злополуки се дължат на лошо поддържани електроинструменти.
- ▶ **Поддържайте режещите инструменти винаги добре заточени и чисти.** Добре поддържаните режещи инструменти с остри ръбове заклинват по-рядко и се водят по-лесно.
- ▶ **Използвайте електроинструменти, принадлежности, сменяеми инструменти и т.н. съгласно настоящите инструкции.** Съобразявайте се и с конкретните работни условия и с дейностите, които трябва да бъдат извършвани. Употребата на електроинструменти за цели, различни от предвидените от производителя, може да доведе до опасни ситуации.
- ▶ **Поддържайте ръкохватките и повърхностите за хващане сухи, чисти и незамазани от масла и смазки.** Хлъзгави ръкохватки и повърхности за хващане не позволяват безопасно обслужване и контрол на електроинструмента в непредвидени ситуации.

Използване и обслужване на акумулаторния инструмент

- ▶ **Зареждайте акумулаторите само с препоръчани от производителя зарядни устройства.** При зарядно устройство, подходящо за определен вид акумулатори, съществува опасност от пожар, ако то се използва с други акумулатори.
- ▶ **Използвайте в електроинструментите само предвидените за съответния модел акумулатори.** Употребата на други акумулатори може да доведе до наранявания и опасност от пожар.
- ▶ **Съхранявайте неизползваните акумулатори далеч от кламери, монети, ключове, пирони, винтове или други дребни метални предмети, тъй като те могат да предизвикат късо съединение в контактите.** При късо съединение в контактите на акумулатора може да се получи изгаряния или да възникне пожар.
- ▶ **Ако акумулаторът се използва неправилно, от него може да излезе течност.** Избягвайте контакт с тази течност. При случаен контакт изплакнете мястото обилно с вода. Ако течността попадне в очите, потърсете допълнително лекарска помощ. Излизащата от акумулатора течност може да причини кожни раздразнения или изгаряния.
- ▶ **Не използвайте повреден или модифициран акумулатор.** Повредените или модифицирани акумулатори могат да имат непредвидимо поведение и да предизвикат огън, експлозия или да породят опасност от наранявания.
- ▶ **Не подлагайте акумулатора на въздействието на огън или твърде високи температури.** Огън или температури над 130 °C (265 °F) могат да предизвикат експлозия.
- ▶ **Следвайте всички инструкции относно зареждането и никога не зареждайте акумулатора или акумулаторния инструмент извън посочения в Ръководството за експлоатация температурен**



обхват. Неправилното зареждане или зареждането извън допустимия температурен обхват може да разруши акумулатора и да повиши опасността от възникване на пожар.

Сервизиране

- ▶ **Ремонтът на електроинструмента трябва да се извършва само от квалифицирани специалисти и само с оригинални резервни части.** По този начин се гарантира безопасността на съхранението на уреда.
- ▶ **Никога не обслужвайте повредени акумулатори.** Цялостната поддръжка на акумулаторите следва да се извършва само от производителя или от оторизирани центрове за обслужване на клиенти.

2.2 Указанията за безопасност за уреди за директен монтаж

- ▶ **Винаги изхождайте от мисълта, че в електроинструмента има пирони.** Нехайното боравене с уреда за директен монтаж може да доведе до неочаквано изстрелване на пирони, което да Ви нарани.
- ▶ **Не се прицелвайте с електроинструмента в себе си или в намиращи се в близост хора.** Посредством неочаквано задействане е избутан пирон, което може да доведе до наранявания.
- ▶ **Не задействайте електроинструмента, преди той да бъде закрепен здраво за детайла.** Ако електроинструментът няма контакт с детайла, пиронът може да отскочи от мястото за закрепване.
- ▶ **Изключете електроинструмента от мрежата или от акумулатора, ако пиронът е заседнал в електроинструмента.** Ако уредът за директен монтаж е включен, той може да бъде задействан по невнимание при отстраняването на здраво заседнал пирон.
- ▶ **Бъдете внимателни при освобождаването на здраво заседнал пирон.** Системата може да бъде натегната и пиронът да бъде изтръгнат, докато Вие се опитвате да отстраните заклиняването.
- ▶ **При закрепването на електрически кабели се уверете, че те не водят до електрическо напрежение.** Хващайте уреда за директен монтаж само за изолираните повърхности за хващане. Използвайте само такива пирони, които са подходящи за инсталиране на електропроводници. Проверете дали пиронът не е повредил изолацията на електропроводника. Пиронът, повредил изолацията на електропроводника, може да предизвика електрически удар и опасност от пожар.

2.3 Указания за безопасност

Изисквания към потребителя

- ▶ Можете да експлоатирате или поддържате този продукт, ако за целта сте били оторизирани и инструктирани.

Средства за персонална защита

- ▶ По време на работа Вие и намиращите се наблизо хора трябва да носите защита за очите, антифони и защитна каска.

Безопасен начин на работа

- ▶ Съблюдавайте данните за експлоатация, обслужване и поддръжка в Ръководството за експлоатация.
- ▶ Бъдете концентрирани, следете внимателно действията си и постъпвайте разумно при работа с уреда за директен монтаж. Не използвайте продукта, ако сте уморени или се намирате под влиянието на наркотични вещества, алкохол или лекарства. Прекъснете работа при болки или неразположение. Един момент на разсеяност при употребата на уреда за директен монтаж може да причини сериозни наранявания.
- ▶ Избягвайте неблагоприятно положение на тялото. Заемете стабилна стойка и по всяко време пазете равновесие.
- ▶ Носете неплъзгащи обувки.
- ▶ Никога не дърпайте назад с ръка болтоводача или крепежните елементи.
 - ▶ Чрез издърпване назад с ръка на болтоводача или крепежния елемент продуктът може при определени обстоятелства да бъде приведен в готовност за работа. В режим на готовност за работа уредът позволява забивания и в части от тялото.
- ▶ При задействането на продукта дръжте ръцете си леко свити (не изпънати).
- ▶ При работа ограничете достъпа на други хора, особено на деца, до работната зона на уреда.
- ▶ Опасност от нараняване поради падащи инструменти и/или принадлежности. Преди да започнете работа, проверете дали акумулаторът и монтираните принадлежности са здраво закрепени.
- ▶ Винаги оставайте вентилационните отвори свободни. Опасност от изгаряния поради покрити вентилационни отвори!



- ▶ Не гледайте директно срещу осветлението (светодиод) и не осветявайте други хора в лицето. Съществува опасност от заслепяване.

Внимателно боравене и употреба на уреди за директен монтаж

- ▶ Опасност поради пробиване на крепежни елементи! Преди забиването на крепежни елементи се уверете, че няма никой зад или под строителния компонент, в който се забива крепежният елемент.
- ▶ Използвайте правилния продукт за Вашата работа. Не използвайте продукта за цели, за които той не е предназначен, а само по предназначение и в изправно състояние.
- ▶ Никога не оставяйте зареден продукт без надзор.
- ▶ Винаги разреждайте продукта преди извършване на дейности по почистване, сервиз и поддръжка, при смяна на болтоводача, при прекъсване на работата, както и при съхранение (крепежен елемент).
- ▶ Съхранявайте неизползваните в момента продукти разредени на сухо и затворено място, далече от достъп на деца.
- ▶ Проверявайте продукта и принадлежностите за наличие на евентуални повреди. Проверявайте дали подвижните части функционират изправно и не заклиняват, както и дали има повредени части.
 - ▶ Всички части трябва да бъдат правилно монтирани и да отговарят на съответните условия за обезпечаване на изправната работа на продукта. Повредените части трябва да бъдат надлежно ремонтирани или подменени в сервиз на **Hilti**, ако не е посочено друго в Ръководството за експлоатация.
- ▶ Преди началото на работния процес проверете работната зона за скрити електрически проводници, газо- и водопроводи. Външните метални части на продукта могат да предизвикат електрически удар или експлозия, ако сте повредили електрически кабел, газо- или водопроводна тръба.
- ▶ Не забивайте крепежни елементи в неподходящ материал на основата.
 - ▶ Неподходящи материали са заваряема стомана и лята стомана, чугун, стъкло, мрамор, пластмаси, бронз, месинг, мед, изолационни материали, кухи тухли, керамични плочки, тънки ламарини (< 4 мм) и газобетон. Забиването в такива материали може да предизвика счупване на елемента, отхвърчане на парчета или пробив в основата.
- ▶ Задействайте спуска само ако продуктът е притиснат изцяло вертикално към основата.
- ▶ Поддържайте продукта при забиването винаги под прав ъгъл към основата, за да предотвратите отскачане на крепежния елемент от материала на основата.
- ▶ Поддържайте ръкохватките сухи, чисти, без масла и смазки по тях.
- ▶ Никога не оставяйте продукта да падне.
- ▶ Не използвайте магазинното устройство като ръкохватка.
- ▶ Не използвайте продукта на места, където има опасност от пожари и експлозии освен ако не е налице специално разрешение за това.
- ▶ Никога не забивайте елементи в налични отвори освен ако това се препоръчва от **Hilti** (напр. DX-Kwik).

Механични мерки за безопасност

- ▶ Не предприемайте никакви манипулации, респ. промени по продукта или принадлежностите, особено по буталото.
- ▶ Използвайте само крепежни елементи, които са предназначени за продукта и са разрешени за използване.

Термични мерки за безопасност

- ▶ Никога не превишавайте препоръчаната максимална честота на забиване.
- ▶ Ако продуктът е прегрял, оставете го да се охлади.
- ▶ Не демонтирайте продукта, когато е горещ. Оставете продукта да се охлади.

2.4 Грижливо отношение към акумулатори и внимателно боравене с тях

- ▶ **Съблюдавайте следните указания за безопасност за надеждно боравене и използване на литиево-йонни акумулатори.** Неспазването им може да предизвика дразнене на кожата, тежки корозивни увреждания, химични изгаряния, пожар и/или експлозии.
- ▶ Използвайте акумулаторите само в технически изправно състояние.
- ▶ Работете внимателно с акумулаторите, за да избегнете повреди и да предотвратите излизането на течности, които са много вредни за здравето!
- ▶ Акумулаторите не трябва по никъкъв начин да бъдат променени или манипулирани!
- ▶ Акумулаторите не трябва да се разглюбяват, смачкват, да се нагреват над 80°C (176°F) или да се изгарят.



- ▶ Не използвайте или не зареждайте акумулатори, които са били ударени или са повредени по друг начин. Проверявайте редовно Вашите акумулатори за признаци на повреда.
- ▶ Никога не използвайте рециклирани или ремонтирани акумулатори.
- ▶ Никога не използвайте акумулатора или електроинструмент, захранван от акумулатор, като ударен механизъм.
- ▶ Никога не излагайте акумулаторите на пряка слънчева светлина, повишена температура, образуване на искри или открит пламък. Това може да доведе до експлозии.
- ▶ Не допирайте полюсите на батериите с пръсти, инструменти, украшения или други електропроводими предмети. Това може да повреди акумулатора, както и да причини материални щети и наранявания.
- ▶ Дръжте акумулаторите далече от дъжд, влага и течности. Проникналата влага може да причини къси съединения, електрически удари, изгаряния, пожар и експлозии.
- ▶ Използвайте само зарядни устройства и електроинструменти, предназначени за този тип акумулатори. За тази цел съблюдавайте данните в съответните Ръководства за експлоатация.
- ▶ Не използвайте или не съхранявайте акумулатора във взривоопасна среда.
- ▶ Ако акумулаторът е много горещ на допир, той може да има дефект. Поставете акумулатора на видимо, незапалимо място с достатъчно разстояние до запалими материали. Оставете акумулатора да се охлади. Ако след един час акумулаторът е все още твърде горещ на допир, той е неизправен. Обърнете се към сервиз на **Hilti** или прочетете документа "Указания за безопасност и прилагане на **Hilti** литиево-йонни акумулатори".

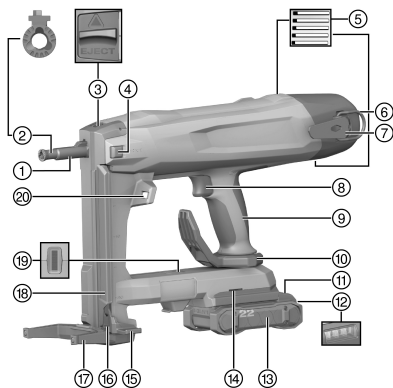


Спазвайте специалните директиви, приложими за транспортирането, съхранението и използването на литиево-йонни акумулатори.

Прочетете указанията за безопасност и прилагане на **Hilti** литиево-йонни акумулатори, които можете да намерите, като сканирате QR кода в края на настоящото Ръководство за експлоатация.

3 Описание

3.1 Преглед на продукта



- ① Челен накрайник
- ② Болтоводач
- ③ Застопоряване на болтоводач
- ④ Бутон за единично забиване (BX 3-ME-22)
- ⑤ Вентилационни отвори
- ⑥ Отвор за задържащо въже за инструменти
- ⑦ Кука за колан
- ⑧ Разединител с предпазител
- ⑨ Ръкохватка
- ⑩ Кука за колан/кука за скеле
- ⑪ Бутон за деблокиране на акумулатора
- ⑫ Статус индикатор на акумулатор
- ⑬ Литиево-йонен акумулатор
- ⑭ Монтажен отвор за принадлежности
- ⑮ Подавач на пирони
- ⑯ Деблокиране на подавач на пирони
- ⑰ Опорен крак
- ⑱ Магазинирано устройство
- ⑲ Статус индикатор за уред за директен монтаж
- ⑳ Осветление в работната среда

3.1.1 Оборудване

Болтоводачът и опорният крак зависят от продукта. Следващата таблица показва опорния крак и болтоводача, с който е оборудван продуктът.

Повече информация ще намерите на капака за куфара, във Вашия **Hilti Store** или на: www.hilti.group



| Продукт | BX 3-22 | BX 3-L-22 | BX 3-ME-22 |
|-------------|---------------|---------------|---------------|
| Болтоводач | X-FG B3 IF 02 | X-FG B3 IF 02 | X-FG B3 ME |
| Опорен крак | X-SL B3 03 | X-SL B3 03 | X-SL B3 ME 03 |

3.2 Употреба по предназначение

Продуктът представлява акумулаторен уред за директен монтаж с ръчно управление. Той е предназначен за забиване на специално произведени крепежни елементи в бетон, стомана, зидария, силикатни тухли и други, за директен монтаж на подходящи основи. Продуктът е предназначен също и за закрепване на електрически кабели с клипс, в случай че за тази цел се използват подходящи крепежни елементи. Използвайте само разрешени крепежни елементи в комбинация с предназначения за целта болтоводач (виж Раздел "Технически данни").

Уредът за директен монтаж, акумулаторът и крепежните елементи образуват техническо единство. Това означава, че безпроблемното закрепване с този уред за директен монтаж е гарантирано само ако се използват произведените специално за него крепежни елементи на **Hilti** и препоръчаните от **Hilti** зарядни устройства и акумулатори. Само при съблюдаване на тези условия са валидни посочените от **Hilti** препоръки за закрепване и приложение.

- ▶ Уредът за директен монтаж може да се използва само като се държи с ръце.
- ▶ Неправилното прилагане трябва да се изключи. За неправилно прилагане се считат забивания в много мека основа (напр. дърво) и забивания в прекалено твърда основа (напр. високоустойчива стомана или много твърд естествен камък).
- За този продукт използвайте само **Hilti** Nuron литиево-йонни акумулатори от тип В 22. За оптимална работа **Hilti** препоръчва за този продукт посочените в таблицата акумулатори в края на настоящото Ръководство за експлоатация.
- За тези акумулатори използвайте само зарядни устройства на **Hilti** от посочените в таблицата типове серии в края на настоящото Ръководство за експлоатация.

3.3 Съоръжения за безопасност

При работа с магазинирано устройство детекторът за пирони предотвратява неправилно забиване, което може да причини щети на уреда за директен монтаж.

Предпазителят срещу притискане предотвратява свободното забиване на пирони. В магазинираното устройство уредът за директен монтаж може да бъде притиснат и задействан само с поставен пирон.

3.4 Характеристики на оборудването

Уредът за директен монтаж е оборудван с ергономична, противополозгаща и противовибрационна ръкохватка, кука за колан, кука за скели и опорен крак. Уредът за директен монтаж е защитен от претоварване с електронна защита от претоварване, а от прегряване - с температурен контрол.

3.5 Статус индикатор на уред за директен монтаж

Статус индикаторът дава информация за състоянието на уреда за директен монтаж.

| Състояние | Значение |
|---|---|
| Светодиодът е изключен. | Уредът за директен монтаж е изключен |
| Светодиодът свети в зелено. | Уредът за директен монтаж е включен и е в готовност за работа |
| Светодиодът мига в зелено. | Акумулаторът е твърде горещ или акумулаторът е твърде слаб |
| Светодиодът мига на всеки 3 секунди в зелено. | Уредът за директен монтаж е в режим на изчакване, притискането на челния крайник включва уреда за директен монтаж |
| Светодиодът свети в синьо. | Уредът за директен монтаж е включен, лентите с пирони трябва да се презаредят |
| Светодиодът мига в синьо. | Уредът за директен монтаж е включен, магазинираното устройство е напълно празно |
| Светодиодът мига в жълто. | Уредът за директен монтаж е твърде горещ, вижте Ведомост за дефекти |



| Състояние | Значение |
|------------------------------|--|
| Светодиодът мига в червено. | Дефект на уреда, вижте Ведомост за дефекти |
| Светодиодът свети в червено. | Дефект на уреда, вижте Ведомост за дефекти |

3.6 Индикатор за литиево-йонния акумулатор

Hilti Nuron литиево-йонни акумулатори могат да показват състоянието на зареждане, известия за грешки и състоянието на акумулатора.

3.6.1 Индикатори за състояние на зареждане и известия за грешки



ПРЕДУПРЕЖДЕНИЕ

Опасност от нараняване поради падащ акумулатор!

- При поставен акумулатор след натискане на бутона за деблокиране се уверете, че застопорявате отново правилно акумулатора в използвания продукт.

За да получите едно от следните показания, натиснете за кратко бутона за деблокиране на акумулатора. Състоянието на зареждане и възможните неизправности също се показват постоянно, докато свързаният продукт е включен.

| Състояние | Значение |
|---|--|
| Четири (4) светодиода светят постоянно в зелено | Състояние на зареждане: 100 % до 71 % |
| Три (3) светодиода светят постоянно в зелено | Състояние на зареждане: 70 % до 51 % |
| Два (2) светодиода светят постоянно в зелено | Състояние на зареждане: 50 % до 26 % |
| Един (1) светодиод свети постоянно в зелено | Състояние на зареждане: 25 % до 10 % |
| Един (1) светодиод мига бавно в зелено | Състояние на зареждане: < 10 % |
| Един (1) светодиод мига бързо в зелено | Литиево-йонният акумулатор е напълно разреден. Заредете акумулатора. Ако след зареждането на акумулатора светодиодът все още мига бързо, обърнете се към сервиз на Hilti . |
| Един (1) светодиод мига бързо в жълто | Литиево-йонният акумулатор или свързаният с него продукт е претоварен, твърде горещ, твърде студен или има някаква друга неизправност. Темперирайте продукта и акумулатора до препоръчителната работна температура и не претоварвайте продукта, когато го използвате. Ако съобщението продължава да стои, обърнете се към сервиз на Hilti . |
| Един (1) светодиод свети в жълто | Литиево-йонният акумулатор и свързаният с него продукт не са съвместими. Моля, обърнете се към сервиз на Hilti . |
| Един (1) светодиод мига бързо в червено | Литиево-йонният акумулатор е блокирал и не може да се използва отново. Моля, обърнете се към сервиз на Hilti . |

3.6.2 Индикатори за състоянието на акумулатора

За да проверите състоянието на акумулатора, задръжте натиснат деблокиращия бутон за повече от три секунди. Системата не разпознава потенциална неизправност на батерията поради злоупотреба, като напр. изпускане, пробиване, външни топлинни повреди и др.

| Състояние | Значение |
|--|---|
| Всички светодиоди светят като бягаша светлина и след това един (1) светодиод свети постоянно в зелено. | Акумулаторът все още може да се използва. |



| Състояние | Значение |
|---|---|
| Всички светодиоди светят като бягаша светлина и след това един (1) светодиод мига бързо в жълто. | Запитването за състоянието на акумулатора не може да бъде осъществено. Повторете процеса или се обърнете към сервиз на Hilti . |
| Всички светодиоди светят като бягаша светлина и след това един (1) светодиод свети постоянно в червено. | Ако свързаният продукт може все още да бъде използван, оставащият капацитет на акумулатора е по-малък от 50%. Ако свързаният продукт вече не може да бъде използван, акумулаторът е в края на своя експлоатационен живот и трябва да бъде сменен. Моля, обърнете се към сервиз на Hilti . |

3.7 Bluetooth® (опционално)

Словната марка Bluetooth®, както и пиктограмите (лога) са регистрирани търговски марки и са собственост на Bluetooth SIG, Inc. Всяка употреба на тази словна марка/пиктограма от страна на Hilti Акционерно дружество се извършва след представяне на лиценз.

3.7.1 Употреба по предназначение

Този продукт е оборудван с Bluetooth® Low Energy Module, който позволява проверка на състоянието на даден електроинструмент и пренасяне на настройки и данни, базирани на Bluetooth® радиотехнология, безжичен пренос на данни, чрез който два Bluetooth съвместими продукта могат да комуникират помежду си на кратко разстояние. Този продукт е разработен, за да позволи комуникация и прехвърляне на данни с мобилни телефони и портали на Hilti. Уредът може да изпраща характеристики на данни като местоположение на приемащото крайно устройство, време на изпълнение, общ брой приложения, брой на приложенията през интервала и времеве печат на прехвърлянето. Можете да намерите информация за предлаганите функции за свързване в съответното приложение (App) на Hilti или в Ръководството за експлоатация на използвания електроинструмент.

3.7.2 Пренос на данни чрез Bluetooth®

Интервалът за изпращане може да варира в зависимост от наличния източник на енергия на продукта. Обхватът може да варира значително в зависимост от външните условия, включително използването на приемащо устройство. В затворени помещения и поради метални прегради (напр. стени, рафтове, куфари и т.н.) обхватът на Bluetooth® може да бъде значително по-малък. В зависимост от заобикалящата среда може да са необходими няколко интервала за изпращане, преди електроинструментът да бъде разпознат.

Ако електроинструментът не може да бъде разпознат, проверете следното:

Твърде голямо ли е разстоянието до мобилното крайно устройство?

→ Намалете разстоянието между мобилното крайно устройство и електроинструмента

3.7.3 Инсталиране и настройка на приложението

За да можете да използвате функциите за свързване, най-напред трябва да инсталирате съответното приложение на Hilti.

(1.) Изтеглете приложението от съответния магазин за приложения.



Изисква се потребителски акаунт в съответния магазин за приложения.

(2.) След като стартирате приложението за първи път, моля, влезте с Вашия акаунт или се регистрирайте.

(3.) Дисплеят на Вашето мобилно крайно устройство показва всички следващи стъпки за свързване на електроинструмента към мобилното крайно устройство.



Най-напред преминете целия обучителен курс на приложението. По този начин ще имате по-добър поглед върху процеса на свързване и използването на функциите за свързване.



3.8 Защита от дълбок разряд

Уредът разполага с режим на дълбок сън за защита на литиево-йонния акумулатор от дълбок разряд. По този начин се предотвратява дълбокият разряд на акумулатора.

- Защитата от дълбок разряд се активира след 360 минути.
- За да деактивирате защитата от дълбок разряд, извадете акумулатора и го поставете отново.

3.9 Обем на доставката

Уред за директен монтаж, Ръководство за експлоатация.

Други системни продукти, разрешени за Вашия продукт, ще намерите във Вашия **Hilti Store** или на: www.hilti.group

4 Технически данни

| | BX 3-22 | BX 3-L-22 | BX 3-ME-22 |
|---|----------------------------|----------------------------|----------------------------|
| Тегло съгласно EPTA Procedure 01 без акумулатор | 3,5 кг | 3,5 кг | 3,4 кг |
| Дължина на пироните серийно забиване | 14 мм ... 30 мм | 14 мм ... 36 мм | 14 мм ... 24 мм |
| Дължина на пироните при единично забиване | •/• | •/• | 30 мм ... 36 мм |
| Диаметър на пироните | 3 мм | 2,75 мм ... 3,0 мм | 3 мм |
| Капацитет на магазинирано устройство | 30 пирона | 30 пирона | 20 пирона |
| Ход на притискането | 12 мм | 12 мм | 12 мм |
| Притискаща сила | 50 Н ... 70 Н | 50 Н ... 70 Н | 50 Н ... 70 Н |
| Препоръчителна максимална честота на забиване при стайна температура | 700/ч. | 700/ч. | 700/ч. |
| Номинално напрежение | 21,6 В | 21,6 В | 21,6 В |
| Максимално излъчена предавателна мощност Bluetooth® | 8 дБм | 8 дБм | 8 дБм |
| Bluetooth честотен обхват | 2 402 МГц ... 2 480 МГц | 2 402 МГц ... 2 480 МГц | 2 402 МГц ... 2 480 МГц |
| Температура на съхранение | -20 °C ... 70 °C | -20 °C ... 70 °C | -20 °C ... 70 °C |
| Температура на околната среда при работа | -17 °C ... 60 °C | -17 °C ... 60 °C | -17 °C ... 60 °C |

4.1 Акумулатор

| | |
|---|--|
| Работно напрежение на акумулатора | 21,6 В |
| Тегло на акумулатор | Вижте края на това Ръководство за експлоатация |
| Температура на околната среда при работа | -17 °C ... 60 °C |
| Температура на съхранение | -20 °C ... 40 °C |
| Температура на акумулатора в началото на зареждането | -10 °C ... 45 °C |

4.2 Информация за шума и стойности на вибрациите съгласно EN 62841

Посочените в настоящите инструкции стойности на звуковото налягане и на вибрациите са били измерени в съответствие със стандартизиран метод на измерване и могат да бъдат използвани при



сравняването на електроинструменти помежду им. Те са подходящи и за предварителна оценка на натоварването от трептения.

Посочените данни представят основните приложения на електроинструмента. Ако обаче електроинструментът се използва за други приложения, с различни сменяеми инструменти или при недостатъчна поддръжка, в данните може да се появят отклонения. Това може значително да повиши натоварването от трептения през целия период на експлоатация.

За точна преценка на натоварването от трептения трябва да се вземат предвид и периодите, в които уредът е изключен или работи, но не е в реална експлоатация. Това може значително да намали натоварването от трептения през целия период на експлоатация.

Определете допълнителни мерки за безопасност с цел защита на работещия срещу въздействието на звука и/или вибрациите, като например: поддръжка на електроинструмент и сменяеми инструменти, поддържане на топли ръце, организация на работните процеси.

Информация за шума

| | | VX 3-22 | VX 3-L-22 | VX 3-ME-22 |
|--|-----------------|----------------|------------------|-------------------|
| Типово ниво на звуковата мощност на емисиите по крива A (при забиване на пирони) (L_{WA}) | Бетон | 96 дБ | 96 дБ | 96 дБ |
| | Стотмана | 100 дБ | 100 дБ | 100 дБ |
| Типово ниво на звуковото налягане на емисиите по крива A (при забиване на пирони) (L_{pA}) | Бетон | 85 дБ | 85 дБ | 85 дБ |
| | Стотмана | 89 дБ | 89 дБ | 89 дБ |
| Отклонение от посочените звукови нива (K_{WA} , K_{pA}) | | 3 дБ | 3 дБ | 3 дБ |

Едноосови общи стойности на вибрациите (в z-посока)

| | | VX 3-22 | VX 3-L-22 | VX 3-ME-22 |
|---|-----------------|----------------------|----------------------|----------------------|
| Емисионна стойност на вибрациите (при забиване на пирони) с акумулатор B22 55 (a _n) | Бетон | 2,5 м/с ² | 2,5 м/с ² | 2,5 м/с ² |
| | Стотмана | 3,3 м/с ² | 3,3 м/с ² | 3,3 м/с ² |
| Емисионна стойност на вибрациите (при забиване на пирони) с акумулатор B22 85 (a _n) | Бетон | 2,9 м/с ² | 2,9 м/с ² | 2,9 м/с ² |
| | Стотмана | 3,5 м/с ² | 3,5 м/с ² | 3,5 м/с ² |
| Отклонение (K) | | 1,5 м/с ² | 1,5 м/с ² | 1,5 м/с ² |

5 Подготовка на работата

ПРЕДУПРЕЖДЕНИЕ

Опасност от нараняване поради неволно включване!

- ▶ Преди поставянето на акумулатора се уверете, че съответният продукт е изключен.
- ▶ Отстранявайте акумулатора, преди да въвеждате настройки по уреда или да подмените принадлежности.

Съблюдавайте указанията за безопасност и предупреждение в настоящата документация и върху продукта.

5.1 Зареждане на акумулатор

1. Преди зареждането прочетете Ръководството за експлоатация на зарядното устройство.
2. Уверете се, че контактите на акумулатора и на зарядното устройство са чисти и сухи.
3. Заредете акумулатора в одобрено зарядно устройство. → страница 171

5.2 Поставяне на акумулатор

ПРЕДУПРЕЖДЕНИЕ

Опасност от нараняване поради късо съединение или падащ акумулатор!

- ▶ Преди поставянето на акумулатора се уверете, че контактите на акумулатора и контактите на продукта са почистени от замърсявания.
- ▶ Уверете се, че акумулаторът се застопорява винаги правилно.



1. Преди първото пускане в експлоатация зареждайте акумулатора докрай.
2. Плъзнете акумулатора в продукта, докато се застопори с ясно щракване.
3. Контролирайте стабилното положение на акумулатора.

5.3 Отстраняване на акумулатор

1. Натиснете бутона за деблокиране на акумулатора.
2. Извадете акумулатора от продукта.

5.4 Сваляне на болтоводач

1. Издърпайте надолу механизма за подаване на пирони, докато се застопори.
2. Изпразнете магазинираното устройство. → страница 179
3. Плъзнете блокировката на болтоводача по посока на стрелката до ограничителя.
 - ▶ Болтоводачът е освободен.
4. Извадете болтоводача.

5.5 Поставяне на болтоводач

1. Издърпайте надолу механизма за подаване на пирони, докато се застопори.
2. Изпразнете магазинираното устройство. → страница 179
3. Плъзнете блокировката на болтоводача по посока на стрелката до ограничителя и я задръжте в това положение.
4. Плъзнете болтоводача в челния накрайник, докато се застопори с ясно щракване.
5. Освободете блокировката на болтоводача.
 - ▶ Блокировката на болтоводача отскача в средно положение.
6. С издърпване на болтоводача проверете стабилното му положение.

5.6 Безопасна работа с кука за колан и кука за скеле 2

- ▶ Преди да започнете работа се уверете, че куката за колан/скеле е надеждно закрепена към продукта.
- ▶ Използвайте куката за колан/скеле само ако Ви е необходима. Съхранявайте продукта на сигурно място, ако не го използвате продължително време.

5.7 Защита срещу падане 3



ПРЕДУПРЕЖДЕНИЕ

Опасност от нараняване поради падащ инструмент и/или принадлежност!

- ▶ Използвайте само разрешеното за Вашия продукт препоръчано **Hilti** задържащо въже за инструменти.
- ▶ Преди всяка употреба проверявайте точката на закрепване на задържащото въже за инструменти за възможни повреди.
- ▶ Не закрепвайте задържащото въже за инструменти към куката за колан. Не използвайте кука за колан, за да повдигнете продукта.



Спазвайте националните разпоредби за работа на височина.

За този продукт използвайте като защита срещу падане само **Hilti** задържащото въже за инструменти #2261970.

- ▶ Прикрепете задържащото въже за инструменти към продукта с карабинер, както е показано на снимката. Проверете за надеждното закрепване на куката с карабинер.
- ▶ Закрепете втората кука с карабинер към носеща конструкция. Проверете за надеждното закрепване на куката с карабинер.



Сълюдавайте Ръководствата за експлоатация на **Hilti** задържащото въже за инструменти.



5.8 Зареждане на магазинирано устройство за работа 4

ПРЕДПАЗЛИВОСТ

Опасност от приклеждане! Бързото връщане назад на механизма за подаване на пирони може да доведе до наранявания и да причини щети на уреда за директен монтаж.

► При спускането на механизма за подаване на пирони следете той да се застопори добре. Не оставяйте механизма за подаване на пирони да се върне бързо назад.

1. Издърпайте надолу подавача на пирони, докато се застопори.
2. Оставете лентите с пирони да приплъзнат в магазинираното устройство (максимум 3 ленти с по 10 пирона).
3. Дръжте здраво подавача на пирони и натиснете деблокировката на подавача на пирони.
4. Върнете назад подавача на пирони, докато се допре до пирон.

5.9 Зареждане за режим на работа единично забиване

BX 3-ME-22

ПРЕДПАЗЛИВОСТ

Опасност от приклеждане! Бързото връщане назад на механизма за подаване на пирони може да доведе до наранявания и да причини щети на уреда за директен монтаж.

► При спускането на механизма за подаване на пирони следете той да се застопори добре. Не оставяйте механизма за подаване на пирони да се върне бързо назад.

1. Издърпайте надолу механизма за подаване на пирони, докато се застопори.
2. Оставете лентата с пирони да приплъзне от магазинираното устройство и се уверете, че магазинираното устройство е празно.



Уредът за директен монтаж може да бъде повреден, ако не сте отстранили всички пирони от магазинираното устройство преди режима на работа единично забиване.

3. Дръжте здраво механизма за подаване на пирони и натиснете деблокировката на механизма за подаване на пирони.
4. Върнете назад механизма за подаване на пирони.
5. Поставете пирона в предвидената за целта вдлъбнатина на болтоводача. След това опционално върху болтоводача допълнително можете да сложите разрешен крепежен елемент.



Поставянето на повече от два пирона в болтоводача може да причини щети на уреда за директен монтаж. В режим на работа единично забиване зареждайте болтоводача с максимум един пирон.

6. Задействайте прекъсвача за единично забиване.

► Прекъсвачът за единично забиване се застопорява с ясно щракване.



Ако механизмът за подаване на пирони се издърпа надолу с няколко сантиметра, прекъсвачът за единично забиване се освобождава отново.

6 Експлоатация

Съблюдавайте указанията за безопасност и предупреждение в настоящата документация и върху продукта.

6.1 Използване на опорния крак 5

Опорният крак улеснява монтирането под прав ъгъл на уреда за директен монтаж върху равна основа, тъй като трябва да се внимава за позиционирането под прав ъгъл само в странична посока. Върху неравна основа може да се наложи сгъване на опорния крак, за да се подравни болтоводачът под прав ъгъл спрямо основата.

6.1.1 Сгъване на опорен крак

1. Притиснете към опорния крак, за да го освободите от фиксиращата му позиция.
2. Завъртете опорния крак назад.



6.1.2 Разгъване на опорен крак

ПРЕДПАЗЛИВОСТ

Опасност от приклеждане! При обръщане на опорната пета съществува опасност от притискане на пръстите между опорната пета и корпуса.

► При обръщане на опорната пета дръжте уреда за директен монтаж за ръкохватката.

1. Завъртете опорния крак напред.
2. Натиснете опорния крак в посока отдолу, за да го застопорите в разгънато положение.

6.2 Изключване на Bluetooth (опционално)

- Притиснете уреда за директен монтаж върху основата за 10 секунди.
 - След 6 секунди пружинният елемент се отпуска с ясен звук (дръжте уреда за директен монтаж в натиснато положение още 4 секунди).
 - Статус индикаторът мига 3 пъти в синьо.
 - Шумът от двигателя се чува 3 пъти.
 - Преносът на данни вече не е възможен.



Ако се намирате в сензитивна среда (напр. болница), където няма разрешение за Bluetooth, можете да деактивирате Bluetooth.

За да включите Bluetooth, извадете акумулатора и го поставете отново.

6.3 Включване/изключване на уред за директен монтаж

6.3.1 Включване на уред за директен монтаж

ПРЕДУПРЕЖДЕНИЕ

Опасност от нараняване! Притискането на уреда за директен монтаж към някоя част от тялото може да причини сериозни наранявания поради задействане по невнимание.

► **Никога на притискайте уреда за директен монтаж към ръката ви или към някоя друга част от тялото.**

1. При работа с магазинирано устройство заредете магазинираното устройство. → страница 177
2. Поставете акумулатора. → страница 175
 - Статус индикаторът мига бавно в зелено.



При работа с намалена мощност на акумулатора уредът за директен монтаж се изключва, преди да се повредят акумулаторните клетки.

3. Притиснете уреда за директен монтаж към подходяща основа, за да го включите.
 - Уредът за директен монтаж се затяга.
 - Статус индикаторът свети в зелено.

6.3.2 Изключване на уред за директен монтаж

- Отстранете акумулатора. → страница 176
 - Пружинният елемент се отпуска с ясно щракване, а статус индикаторът изгасва.



След 6 минути уредът за директен монтаж генерира шум от двигателя като индикация, че уредът за директен монтаж е на път да се изключи. Според указаниято уредът за директен монтаж се изключва автоматично.

6.4 Извършване на единично забиване

ПРЕДУПРЕЖДЕНИЕ

Опасност от нараняване поради пробиване на крепежни елементи!

- Преди забиване на крепежни елементи се уверете, че няма никой зад или под компонента, в който се забива крепежният елемент.



ПРЕДУПРЕЖДЕНИЕ

Опасност от нараняване поради разлетели се части! По време на процеса на забиване са възможни наранявания на тялото и очите поради отчупващ се от основата материал и разлетели се части на лентата с пирони.

- ▶ Носете лични предпазни средства и работете винаги със защита за очите и защитни ръкавици. Намиращите се наблизо хора също трябва да носят защита за очите и защитна каска.

ПРЕДУПРЕЖДЕНИЕ

Опасност от нараняване! Притискането на уреда за директен монтаж към някоя част от тялото може да причини сериозни наранявания поради задействане по невнимание.

- ▶ Никога на притискайте уреда за директен монтаж към ръката ви или към някоя друга част от тялото.

1. Преди да започнете работа, поставете 2 крепежни елемента за проба върху тяхната основа.
2. Поставете уреда за директен монтаж върху основата под прав ъгъл и притиснете болтоводача до крайна позиция.
 - ▶ Уредът за директен монтаж е включен.
3. Задействайте забиването чрез натискане на разединителя с предпазител.
4. След забиването повдигнете уреда за директен монтаж изцяло от основата.



Ако болтоводачът е притиснат към основата повече от 6 секунди, без да бъде извършено забиване, уредът за директен монтаж автоматично превключва в режим на готовност. Уредът за директен монтаж се презарежда чрез повторно поставяне на челния крайник върху земята.

6.5 Изваждане на пирони при работа на магазинирано устройство

1. Издърпайте надолу механизма за подаване на пирони, докато се застопори.
2. Плъзнете пироните надолу от магазинираното устройство.
3. Дръжте здраво механизма за подаване на пирони и натиснете деблокировката на механизма за подаване на пирони.
4. Придвигнете механизма за подаване на пирони назад в изходно положение.

6.6 Освобождаване на заседнали пирони

ПРЕДУПРЕЖДЕНИЕ

Опасност от нараняване и повреда на уреда за директен монтаж. Използването на неподходящи предмети вместо препоръчаните оригинални принадлежности на Hilti може да причини наранявания и да повреди уреда за директен монтаж.

- ▶ За освобождаването на заседнал пирон използвайте само препоръчания комплект тесли за вадене на пирони.

ПРЕДУПРЕЖДЕНИЕ

Опасност от нараняване поради разлетели се части! Забиването може да доведе до наранявания от разлетели се части, ако в периметъра на болтоводача има чужди тела или ако крепежни елементи са заседнали в болтоводача.

- ▶ Никога не се опитвайте да отстранявате повреди по уреда чрез извършване на още забивания!



Отделни пирони могат да заседнат в болтоводача. С помощта на комплекта тесли X-NP заседналите пирони могат да бъдат извадени от болтоводача. Ще намерите принадлежностите във Вашия Център Hilti или онлайн на www.hilti.group.

1. Извадете болтоводача (вижте → страница 176).
2. Пъхнете болтоводача в приемната втулка на комплекта тесли за изваждане на пирони.
3. Избутайте заседналия пирон навън от болтоводача с помощта на тесла за изваждане на пирони и чук.
4. Поставете болтоводача (вижте → страница 176).



**ПРЕДУПРЕЖДЕНИЕ**

Опасност от нараняване при поставен акумулатор !

- ▶ Винаги изваждайте акумулатора преди всяка дейност по обслужване и поддръжка!

Грижи за продукта

- Отстранете внимателно упоритите замърсявания.
- Ако има вентилационни отвори, почистете същите внимателно със суха, мека четка.
- Почистете корпуса само с леко навлажнена кърпа. Не използвайте почистващи препарати, съдържащи силикон, тъй като те могат да увредят пластмасовите части.
- Използвайте чиста, суха кърпа за почистване, за да избършете контактите на продукта.

Грижи за литиево-йонни акумулатори

- Никога не използвайте акумулатор със запушени вентилационни отвори. Почиствайте вентилационните отвори внимателно със суха, мека четка.
- Избягвайте ненужното излагане на акумулатора на прах или замърсявания. Никога не излагайте акумулатора на висока влажност (напр. потопен във вода или оставен под дъжда).
Ако акумулаторът е бил напоен с вода, третирайте го като повреден акумулатор. Изолирайте го в незапалим контейнер и се обърнете към сервиз на **Hilti**.
- Поддържайте акумулатора почистен от масла и смазки. Не позволявайте по акумулатора да се натрупват ненужно прах или замърсявания. Избърсвайте акумулатора със суха, мека четка или с чиста, суха кърпа за почистване. Не използвайте почистващи препарати, съдържащи силикон, тъй като те могат да увредят пластмасовите части.
Не се допирайте до контактите на акумулатора и не отстранявайте фабрично нанесената грес от контактите.
- Почиствайте корпуса само с леко навлажнена кърпа. Не използвайте почистващи препарати, съдържащи силикон, тъй като те могат да увредят пластмасовите части.

Поддръжка

- Проверявайте редовно всички видими части за наличие на повреди, а елементите за управление - за изправно функциониране.
- Не работете с продукта при наличие на повреди и/или смущения във функциите. Предайте продукта незабавно в сервиз на **Hilti** за ремонт.
- След извършване на дейности по обслужване и поддръжка монтирайте всички защитни устройства и проверете за изправното им функциониране.



За безопасна работа използвайте само оригинални резервни части и консумативи. Разрешение от **Hilti** резервни части, консумативи и принадлежности за Вашия продукт ще намерите във Вашия **Hilti Store** или на: www.hilti.group

7.1 Почистване на вътрешната страна на челния накрайник

1. Свалете болтоводача. → страница 176
2. Почистете вътрешната страна на челния накрайник.
3. Поставете болтоводача. → страница 176

8 Транспортиране и съхранение на акумулаторни инструменти и акумулатори**Транспорт****ПРЕДПАЗЛИВОСТ**

Неволно включване при транспортиране !

- ▶ Винаги транспортирайте Вашите продукти без поставени акумулатори!
- ▶ Извадете акумулатора.
- ▶ Транспортирайте и съхранявайте уреда винаги в обезопасено куфарче.
- ▶ Никога не транспортирайте акумулаторите в насипно състояние. При транспортиране акумулаторите трябва да бъдат защитени от прекомерни удари и вибрации и изолирани от всякакви проводящи материали или други акумулатори, за да не се осъществи контакт с други полюси на батерии и да се избегне късо съединение. **Спазвайте местните разпоредби за транспортиране на акумулатори.**



- ▶ Акумулаторите не трябва да се изпращат по пощата. Свържете се със следиторска фирма, ако искате да изпращате повредени акумулатори.
- ▶ Преди всяка употреба проверявайте продукта и акумулаторите за наличие на повреди, също преди и след продължително транспортиране.

Съхранение



ПРЕДУПРЕЖДЕНИЕ

Неволна повреда, дължаща се на дефектни или изтичащи акумулатори !

- ▶ Винаги съхранявайте Вашите продукти без поставени акумулатори!
- ▶ Съхранявайте продукта и акумулаторите на хладно и сухо място. Съблюдавайте температурните гранични стойности, посочени в техническата спецификация.
- ▶ Не съхранявайте акумулаторите в зарядното устройство. След зареждане винаги изваждайте акумулатора от зарядното устройство.
- ▶ Никога не съхранявайте акумулаторите на слънце, върху топлинни източници или зад стъкло.
- ▶ Съхранявайте продукта и акумулаторите далече от достъп на деца и неоторизирани лица.
- ▶ Преди всяка употреба проверявайте продукта и акумулаторите за наличие на повреди, също преди и след продължително съхранение.

9 Помощ при наличие на смущения

Освен ако не е посочено друго, всички описани светлинни сигнали се отнасят до статус индикатора на уреда за директен монтаж. При всички неизправности съблюдавайте индикатора за състояние на зареждане и грешки на акумулатора. Вижте Раздел **Индикатори на литиево-йонния акумулатор**.

При наличие на смущения, които не са посочени в таблицата или които Вие сами не можете да отстраните, моля, обърнете се към нашия сервиз на **Hilti**.

| Смущение | Възможна причина | Решение |
|--|--|---|
| Статус индикаторът мига в зелено. | Акумулаторът е изтощен. | ▶ Сменете акумулатора. |
| Пружинният елемент не е опънат, статус индикаторът мига в зелено. | Акумулаторът е изтощен. | ▶ Сменете акумулатора. |
| Болтоводачът не може да се притисне и статус индикаторът свети в синьо . | Празно магазинирано устройство. | ▶ При работа с магазинирано устройство заредете магазинираното устройство. → страница 177 |
| Болтоводачът не може да се притисне и статус индикаторът свети в зелено . | Заседнал механизъм за подаване на пирони. | ▶ Извадете лентите с пирони от магазинираното устройство и почистете магазинираното устройство. |
| | Заседнал пирон в болтоводача. | ▶ Освободете заседналия пирон. → страница 179 |
| Пружинният елемент е обтегнат със закъснение, статус индикаторът мига в синьо, едновременно с това прозвучава звуков сигнал; след това статус индикаторът свети за 6 минути в синьо. | Празно магазинирано устройство. | ▶ При работа с магазинирано устройство заредете магазинираното устройство. → страница 177 |
| Пружинният елемент не е опънат отново и статус индикаторът мига в жълто. | Свърхтемпература в уреда за директен монтаж. | ▶ Оставете уреда за директен монтаж да се охлади. |
| | Твърде висока температура на акумулатора. | ▶ Оставете акумулатора да се охлади. |
| | Твърде ниска температура на акумулатора. | ▶ Оставете акумулатора да се затопли бавно до стайна температура. |



| Смущение | Възможна причина | Решение |
|---|---|--|
| Пружинният елемент не е обтегнат, а статус индикаторът мига в червено. | Болтоводачът не е поставен правилно. | ▶ Поставете болтоводача. → страница 176 |
| Пружинният елемент не е обтегнат, а статус индикаторът свети в червено. | Грешка на уреда. | ▶ Свържете се със сервиз на Hilti . |
| Пружинният елемент не е обтегнат; няма индикация за статус. | Акумулаторът е изтощен. | ▶ Сменете акумулатора. |
| | Акумулаторът не е поставен правилно. | ▶ Извадете акумулатора и го поставете правилно. → страница 175 |
| | Защитата от дълбок разряд е активна. | ▶ Извадете акумулатора и го поставете отново. |
| Заседнал болтоводач в притиснатото състояние. | Замърсяване между болтоводач и челен накрайник. | ▶ Почистете вътрешната страна на челния накрайник. → страница 180 |

10 Третиране на отпадъци



ПРЕДУПРЕЖДЕНИЕ

Риск от нараняване поради неправилно третиране на отпадъците! Опасности за здравето поради изпускане на газове и течности.

- ▶ Не доставяйте или не изпращайте повредени акумулатори!
- ▶ Покривайте връзките с непроводим материал, за да предотвратите къси съединения.
- ▶ Изхвърляйте акумулаторите по такъв начин, че да не могат да попаднат в ръцете на деца.
- ▶ Изхвърляйте акумулатора във Вашия **Hilti Store** или се свържете с местната компания за управление на отпадъците.



Hilti продуктите са произведени в по-голямата си част от материали за многократна употреба. Предпоставка за многократното им използване е тяхното правилно разделяне. В много страни **Hilti** взема Вашите употребявани уреди обратно за рециклиране. Попитайте отдела на **Hilti** за обслужване на клиенти или Вашия търговски консултант.



- ▶ Не изхвърляйте електроинструменти, електронни устройства и акумулатори в битовите отпадъци!

11 Гаранция на производителя

- ▶ При въпроси относно гаранционните условия, моля, обърнете се към Вашия местен **Hilti** партньор.

12 Повече информация

Допълнителна информация за експлоатацията, технологията, околната среда и рециклирането ще намерите на следния линк: qr.hilti.com/manual?id=2268212&id=2268213

Този линк ще намерите също и в края на документацията като QR код.

Manual de utilizare original

1 Date privind documentația

1.1 Referitor la această documentație

- Înainte de punerea în funcțiune, citiți complet această documentație. Aceasta este condiția necesară pentru un lucru în siguranță și pentru o manevrare fără defecțiuni.
- Aveți în vedere indicațiile de securitate și de avertizare din această documentație și de pe produs.



- Păstrați întotdeauna manualul de utilizare în preajma produsului și predați-l altor persoane numai împreună cu aceste manual.

1.2 Explicitarea simbolurilor

1.2.1 Indicații de avertizare

Indicațiile de avertizare avertizează împotriva pericolelor care apar în lucrul cu produsul. Sunt utilizate următoarele cuvinte-semnal:

PERICOL

PERICOL !

- ▶ Pentru un pericol iminent și direct, care duce la vătămări corporale sau la accidente mortale.

ATENȚIONARE

ATENȚIONARE !

- ▶ Pentru un pericol iminent și posibil, care poate duce la vătămări corporale sau la accidente mortale.







AVERTISMENT

AVERTISMENT !

- ▶ Pentru o situație potențial periculoasă, care poate duce la vătămări corporale sau pagube materiale.


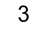


1.2.2 Simboluri în manualul de utilizare

În acest manual de utilizare sunt utilizate următoarele simboluri:

| | |
|---|--|
|  | Respectați manualul de utilizare |
|  | Indicații de folosire și alte informații utile |
|  | Lucrul cu materiale reutilizabile |
|  | Nu aruncați aparatele electrice și acumulatorii în containerele de gunoi menajer |
|  | Hilti Acumulator Li-Ion |
|  | Hilti Redresor |

1.2.3 Simboluri în imagini

Următoarele simboluri sunt utilizate în imagini:

| | |
|---|--|
|  | Acest numere fac trimitere la figura respectivă de la începutul acestui manual de utilizare. |
|  | Numerotarea reflectă ordinea etapelor de lucru în imagine și poate să difere de etapele de lucru din text. |
|  | Numerele pozițiilor sunt utilizate în figura Vedere generală și fac trimitere la numerele din legendă în paragraful Vedere generală a produsului . |
|  | Acest semn are rolul de a stimula atenția dumneavoastră în lucrul cu produsul. |

1.3 Simboluri în funcție de produs

1.3.1 Simboluri pe produs

Pe produs pot fi utilizate următoarele simboluri:

| | |
|---|----------------------------------|
|  | Semne generale de obligativitate |
|  | Folosiți apărătoare pentru ochi |



| | |
|--------|---|
| | Folosiți căști antifonice |
| | Folosiți cască de protecție |
| | Produsul este compatibil cu tehnologia NFC, care este compatibilă la rândul ei cu platformele iOS și Android. |
| Li-Ion | Acumulator Li-Ion |
| | Nu folosiți niciodată acumulatorul ca unealtă percutoare. |
| | Nu lăsați acumulatorul să cadă. Nu utilizați niciun acumulator care a suferit o lovitură sau este deteriorat într-un alt mod. |

1.4 Informații despre produs

Produsele sunt destinate utilizatorilor profesioniști, iar operarea cu acestea, întreținerea și repararea lor sunt activități permise numai personalului autorizat și instruit. Acest personal trebuie să fie instruit în mod special cu privire la potențialele pericole. Produsul și mijloacele sale auxiliare pot genera pericole dacă sunt utilizate necorespunzător sau folosite inadecvat destinației de către personal neinstruit. Indicativul de model și numărul de serie sunt indicate pe plăcuța de identificare.

- ▶ Transcrieți numărul de serie în tabelul următor. Datele despre produs vă sunt necesare în cazul solicitărilor de informații la reprezentanța noastră sau la centrul de service.

Date despre produs

| | |
|----------------------|----------------------------------|
| Aparat de implantare | BX 3-22 BX 3-L-22 BX 3-ME-22 |
| Generația | 03 |
| Număr de serie | |

1.5 Declarație de conformitate

Producătorul declară pe proprie răspundere că produsul descris aici corespunde legislației și normelor în vigoare. O imagine a declarației de conformitate găsiți la finalul acestei documentații.

Documentațiile tehnice sunt stocate aici:

Hilti Entwicklungsgesellschaft mbH | Zulassung Geräte | Hiltistraße 6 | 86916 Kaufering, DE

2 Securitate

2.1 Instrucțiuni de ordin general privind securitatea și protecția muncii pentru sculele electrice

⚠ ATENȚIONARE Consultați toate instrucțiunile de protecție a muncii, instrucțiunile de lucru, imaginile și datele tehnice cu care este prevăzută această sculă electrică. Neglijențele în respectarea următoarelor instrucțiuni pot provoca electrocutări, incendii și/ sau accidente grave.

Păstrați toate instrucțiunile de protecție a muncii și instrucțiunile de lucru pentru consultare în viitor.

Termenul de „sculă electrică“ folosit în instrucțiunile de protecție a muncii se referă la sculele cu alimentare de la rețea (cu cablu de rețea) la sculele electrice cu alimentare de la acumulatori (fără cablu de rețea).

Securitatea în locul de muncă

- ▶ **Mențineți curățenia și un iluminat bun în zona de lucru.** Dezordinea sau iluminatul insuficient în zona de lucru pot constitui surse de accidente.
- ▶ **Nu lucrați cu scula electrică în medii cu pericol de explozie, în care sunt prezente lichide, gaze sau pulberi inflamabile.** Sculele electrice generează scântei care pot aprinde pulberile sau vaporii.
- ▶ **Nu permiteți accesul copiilor și al altor persoane în zona de lucru pe parcursul utilizării sculei electrice.** În cazul distragerii atenției, puteți pierde controlul asupra aparatului.

Securitatea electrică

- ▶ **Fișa de racord a sculei electrice trebuie să se potrivească cu priza de alimentare. Orice gen de modificare a fișei este interzis. Nu folosiți niciun tip de fișe adaptoare împreună cu scule electrice cu pământare de protecție.** Fișele nemodificate și prizele adecvate diminuează riscul de electrocutare.



- ▶ **Evitați contactul corpului cu suprafețele legate la pământ, cum ar fi țevile, sistemele de încălzire, plitele și frigiderele.** Există un risc major de electrocutare atunci când corpul se află în contact cu obiecte legate la pământ.
- ▶ **Feriți sculele electrice de influența ploii și umidității.** Pătrunderea apei în scula electrică crește riscul de electrocutare.
- ▶ **Nu utilizați cablul de legătură în scopuri pentru care nu este destinat, de exemplu pentru a transporta scula electrică, a suspenda scula electrică sau pentru a trage fișa din priza de alimentare.** Feriți cablul de legătură de influențele căldurii, uleiului, muchiilor ascuțite sau componentelor aflate în mișcare. Cablurile de legătură deteriorate sau înfășurate majorează riscul de electrocutare.
- ▶ **Dacă lucrați cu o sculă electrică în aer liber, utilizați numai cabluri prelungitoare care sunt adecvate și pentru folosirea în exterior.** Folosirea cablurilor prelungitoare adecvate lucrului în aer liber diminuează riscul de electrocutare.
- ▶ **Dacă punerea în exploatare a sculei electrice într-un mediu cu umiditate nu se poate evita, utilizați un întrerupător automat de protecție diferențial.** Utilizarea unui întrerupător automat de protecție diferențial diminuează riscul de electrocutare.

Securitatea persoanelor

- ▶ **Procedați cu atenție, concentrați-vă la ceea ce faceți și lucrați în mod rațional atunci când manevrați o sculă electrică.** Nu folosiți nicio sculă electrică dacă sunteți obosit sau dacă vă aflați sub influența drogurilor, alcoolului sau medicamentelor. Un moment de neatenție în folosirea sculei electrice poate duce la accidentări serioase.
- ▶ **Purtați echipament personal de protecție și, întotdeauna, ochelari de protecție.** Folosirea echipamentelor personale de protecție, ca de ex. masca anti-praf, încălțăminte antiaderapantă, casca de protecție sau căștile antifonice, în funcție de tipul sculei electrice și de natura aplicației de lucru, duce la diminuarea riscului de accidentare.
- ▶ **Împiedicați pornirea involuntară a aparatului. Asigurați-vă că scula electrică este deconectată, înainte de a o racorda la alimentarea electrică și/ sau la acumulator, de a o lua din locul de lucru sau de a o transporta.** Situațiile în care transportați scula electrică ținând degetul pe întrerupător sau racordați aparatul în stare pornită la alimentarea electrică pot duce la accidente.
- ▶ **Înainte de a porni scula electrică, îndepărtați uneltele de reglaj sau cheile fixe.** Un accesoriu de lucru sau o cheie fixă, aflate într-o componentă rotativă a aparatului, pot provoca vătămări corporale.
- ▶ **Evitați o poziție anormală a corpului. Asigurați-vă o poziție stabilă și păstrați-vă întotdeauna echilibrul.** În acest fel, veți putea controla mai bine scula electrică în situații neașteptate.
- ▶ **Purtați îmbrăcăminte de lucru adecvată. Nu purtați haine largi sau bijuterii. Țineți părul, îmbrăcăminte și mânușile departe de componentele aflate în mișcare.** Îmbrăcăminte largă, bijuteriile sau părul lung pot fi prinse de piesele aflate în mișcare.
- ▶ **Dacă există posibilitatea montării unor accesorii de aspirare și captare a prafului, asigurați-vă că acestea sunt racordate și folosite corect.** Utilizarea unui sistem de aspirare a prafului poate diminua pericolul provocat de praf.
- ▶ **Nu vă bazați pe măsuri de securitate greșite și nu vă dispensați de reglementările de securitate pentru sculele electrice, chiar dacă sunteți familiarizat cu scula electrică după multiple folosiri ale acesteia.** Lucrul neatent poate duce în fracțiuni de secundă la accidentări grave.

Utilizarea și manevrarea sculei electrice

- ▶ **Nu suprasolicitați aparatul. Folosiți scula electrică special destinată lucrării dumneavoastră.** Cu scula electrică adecvată, lucrați mai bine și mai sigur în domeniul de putere specificat.
- ▶ **Nu folosiți nicio sculă electrică având întrerupătorul defect.** O sculă electrică ce nu mai permite pornirea sau oprirea sa este periculoasă și trebuie reparată.
- ▶ **Scoateți fișa din priză și/ sau înlăturați acumulatorul dacă este detașabil, înainte de executarea unor reglaje la aparat, înlocuirea accesoriilor sau depozitarea aparatului.** Această măsură de precauție reduce riscul unei porniri involuntare a sculei electrice.
- ▶ **Păstrați sculele electrice în locuri inaccesibile copiilor, atunci când nu le utilizați. Nu permiteți folosirea aparatului de către persoane care nu sunt familiarizate cu acesta sau care nu au citit instrucțiunile de față.** Sculele electrice sunt periculoase atunci când sunt folosite de persoane fără experiență.
- ▶ **Îngrijiți sculele electrice și accesoriile cu multă atenție. Controlați funcționarea impecabilă a componentelor mobile și verificați dacă acestea nu se blochează, dacă există piese sparte sau care prezintă deteriorări de natură să influențeze negativ funcționarea sculei electrice. Dispuneți repararea pieselor deteriorate înainte de punerea în exploatare a aparatului.** Multe accidente se produc din cauza întreținerii defectuoase a sculelor electrice.



- ▶ **Păstrați accesoriile așchietoare bine ascuțite și curate.** Accesoriile așchietoare întreținute atent, cu muchii așchietoare bine ascuțite se blochează mai greu și pot fi conduse mai ușor.
- ▶ **Utilizați scula electrică, accesoriile, dispozitivele de lucru etc. corespunzător acestor instrucțiuni. Țineți seama de condițiile de lucru și de activitatea care urmează a fi desfășurată.** Folosirea unor scule electrice destinate altor aplicații de lucru decât cele prevăzute poate conduce la situații periculoase.
- ▶ **Mențineți mânerul și suprafețele mânerelor în stare uscată, curată, fără ulei și unsoare.** Mânerul și suprafețele mânerelor nu permit utilizarea și controlul sculei electrice în siguranță în situații neprevăzute, dacă sunt alunecoase.

Utilizarea și manevrarea sculei cu acumulatori

- ▶ **Încărcați acumulatorii numai în redresoarele recomandate de producător.** Pentru un redresor adecvat unui anumit tip de acumulatori, apare pericolul de incendiu dacă acesta este utilizat cu alți acumulatori.
- ▶ **Utilizați numai acumulatorii prevăzuți special pentru sculele electrice.** Folosirea altor acumulatori poate duce la accidentări și poate provoca pericol de incendiu.
- ▶ **Țineți acumulatorii nefolosiți la distanță de agrafele de birou, monede, chei, cuie, șuruburi sau alte obiecte metalice mici, care ar putea provoca scurtcircuitarea contactelor.** Un scurtcircuit între contactele acumulatorului poate avea ca urmări arsuri sau incendii.
- ▶ **La folosirea în mod eronat, este posibilă eliminarea de lichid din acumulatori. Evitați contactul cu acesta. În cazul contactului accidental, spălați cu apă. Dacă lichidul ajunge în ochi, solicitați suplimentar asistență medicală.** Lichidul ieșit din acumulatori poate provoca iritații ale pielii sau arsuri.
- ▶ **Nu folosiți acumulatorii deteriorați sau modificați.** Acumulatorii deteriorați sau modificați se pot comporta imprevizibil și pot provoca incendii, explozii sau pericol de accidentări.
- ▶ **Nu expuneți un acumulator la foc sau la temperaturi prea ridicate.** Focul sau temperaturile de peste 130 °C (265 °F) pot provoca o explozie.
- ▶ **Urmați toate instrucțiunile de încărcare și nu încărcați niciodată acumulatorul sau unealta cu acumulator la valori situate în afara domeniului de temperatură indicat în instrucțiunile de exploatare.** Încărcarea greșită sau încărcarea la valori în afara domeniului avizat de temperatură poate distruge acumulatorul și crește pericolul de incendiu.

Service

- ▶ **Încredințați repararea sculei electrice a dumneavoastră numai personalului calificat de specialitate și numai în condițiile folosirii pieselor de schimb originale.** În acest fel, este garantată menținerea siguranței de exploatare a aparatului.
- ▶ **Nu executați niciodată lucrări de întreținere la un acumulator deteriorat.** Toate lucrările de întreținere la acumulatori se vor executa numai de către producător sau de centrele de asistență pentru clienți, împuternicite de producător.

2.2 Instrucțiuni de protecție a muncii pentru aparatele de fixare

- ▶ **Presupuneți întotdeauna că scula electrică conține cuie.** Manevrarea fără precauții a aparatului de fixare poate duce la expulzarea neașteptată de cuie și vă poate vătăma.
- ▶ **Nu îndreptați scula electrică asupra propriei persoane sau asupra altor persoane din apropiere.** Prin declanșarea neașteptată se va expulza un cui, ceea ce poate duce la accidentări.
- ▶ **Nu acționați scula electrică înainte ca aceasta să fie așezată ferm pe piesa care se prelucrează.** Dacă scula electrică nu are contact cu piesa, cuiul poate ricoșa din locul de fixare.
- ▶ **Detashați scula electrică de la rețea sau de la acumulator dacă cuiul se înțepenește în scula electrică.** Dacă aparatul de fixare este recordat, la îndepărtarea unui cui înțepenit el poate fi acționat accidental.
- ▶ **Procedați cu precauție la îndepărtarea unui cui înțepenit.** Sistemul poate fi tensionat și cuiul poate fi expulzat energic în timp ce încercați să remediați înțepenirea.
- ▶ **La fixarea conductorilor electrici asigurați-vă că aceștia nu sunt sub tensiune electrică. Cuprindeți aparatul de fixare numai de suprafețele izolate ale mânerelor. Utilizați numai cuiele care sunt adecvate pentru instalarea conductorilor electrici. Verificați dacă cuiul nu a deteriorat izolația conductorilor electrici.** Un cui care a deteriorat izolația conductorilor electrici poate provoca o electrocutare și pericol de incendiu.

2.3 Instrucțiuni de protecție a muncii

Cerințe impuse utilizatorului

- ▶ Operarea sau întreținerea la acest produs este permisă numai dacă sunteți autorizat și instruit în acest scop.



Echipamentul personal de protecție

- ▶ Purtați, dumneavoastră și persoanele aflate în apropiere, apăratoare pentru ochi, căști antifonice și o cască de protecție pe parcursul utilizării.

Securitatea persoanelor

- ▶ Aveți în vedere indicațiile din manualul de utilizare privind exploatarea, întreținerea și îngrijirea.
- ▶ Procedați cu atenție, concentrați-vă la ceea ce faceți și lucrați în mod rațional atunci când lucrați cu un aparat de implantare. Nu folosiți produsul dacă sunteți obosit sau vă aflați sub influența drogurilor, alcoolului sau medicamentelor. Întrerupeți lucrul dacă aveți dureri sau nu vă simțiți bine. Un moment de neatenție în folosirea aparatului de implantare poate duce la accidentări serioase.
- ▶ Evitați posturile anormale ale corpului. Asigurați-vă o poziție stabilă și păstrați-vă întotdeauna echilibrul.
- ▶ Purtați încălțăminte antiderapantă.
- ▶ Nu trageți niciodată înapoi ghidajul de bolțuri sau elementele de fixare cu mâna.
 - ▶ Prin retractarea cu mâna a ghidajului de bolțuri sau a elementului de fixare, este posibil ca produsul să treacă în stare funcțională. Starea pregătită de funcționare permite implantarea și în părți ale corpului.
- ▶ La acționarea produsului, țineți brațele îndoite (nu întinse).
- ▶ În cursul lucrărilor, alte persoane, în special copiii, trebuie să păstreze distanța față de raza de acțiune.
- ▶ Pericol de accidentare în caz de cădere a accesoriilor de lucru și/ sau sculelor. Înainte de începerea lucrului, controlați ca acumulatorul și accesoriul montat să fie fixate în siguranță.
- ▶ Mențineți întotdeauna libere fantele de aerisire. Pericol de arsuri dacă fantele de aerisire sunt acoperite!
- ▶ Nu priviți direct în elementul de iluminat (LED) și nu iluminați în față alte persoane. Apare pericol de orbire.

Manevrarea și folosirea cu precauție a aparatelor de implantare

- ▶ Pericol în caz de penetrare a elementelor de fixare! Asigurați-vă înainte de implantarea elementelor de fixare că nimeni nu se află în spatele piesei sau sub piesa în care este implantat elementul de fixare.
- ▶ Folosiți produsul potrivit pentru lucrarea dumneavoastră. Nu folosiți produsul în scopuri pentru care nu este prevăzut, ci numai în conformitate cu destinația sa și dacă este în stare impecabilă.
- ▶ Nu lăsați niciodată nesupravegheat un produs încărcat.
- ▶ Descărcați produsul întotdeauna înaintea lucrărilor de curățare, service și întreținere, la schimbarea ghidajului de bolțuri, la întreruperea lucrului și în scopul depozitării (elementul de fixare).
- ▶ Păstrați produsele care nu se află în uz descărcate, în locuri uscate și încuiate, inaccesibile pentru copii.
- ▶ Verificați dacă produsul și accesoriile prezintă eventuale deteriorări. Verificați dacă piesele mobile funcționează impecabil și nu se înțepenesesc, sau dacă există piese deteriorate.
 - ▶ Toate piesele trebuie să fie montate corect și să îndeplinească toate condițiile, pentru a asigura funcționarea impecabilă a produsului. Piesele deteriorate trebuie să fie reparate sau schimbate de centrul de service **Hilti**, dacă în manualul de utilizare nu există altă precizare.
- ▶ Verificați înainte de începerea lucrului dacă în zona de lucru există conductori electrici, conducte de gaz și țevi de apă acoperite. Piesele metalice aflate în contact exterior cu produsul pot cauza o electrocutare sau o explozie, dacă deteriorați un conductor electric, o conductă de gaz sau o țevă de apă.
- ▶ Nu implantați elemente de fixare într-un material de bază inadecvat.
 - ▶ Materialele inadecvate sunt oțelul și oțelul turnat sudate, fonta, sticla, marmura, materialul plastic, bronzul, alama, cuprul, materialul izolator, cărămida cu goluri, cărămida ceramică, tablele subțiri (< 4 mm) și betonul poros. Implantarea în aceste materiale poate cauza ruperea elementului, sfărâmarea sau străpungerea materialului.
- ▶ Acționați declanșatorul numai când produsul este apăsat complet vertical pe materialul de bază.
- ▶ Țineți produsul la implantare întotdeauna perpendicular pe materialul de bază, pentru a împiedica o deviere a elementului de fixare de pe materialul de bază.
- ▶ Mențineți mânerul în stare uscată, curată, fără ulei și unsoare.
- ▶ Nu lăsați niciodată produsul să cadă.
- ▶ Nu utilizați magazia de alimentare ca mâner.
- ▶ Nu folosiți produsul în locuri în care există pericol de incendiu și de explozie, cu excepția cazului în care el este avizat special în acest scop.
- ▶ Nu implantați elemente în găuri existente, exceptând cazul în care aceste lucru este recomandat de **Hilti** (de ex. DX-Kwik).

Măsuri mecanice de securitate

- ▶ Nu întreprindeți intervenții neautorizate, respectiv modificări la produs sau accesoriu, în special la piston.
- ▶ Utilizați numai elementele de fixare care sunt destinate și avizate pentru produs.



Măsuri termice de securitate

- ▶ Nu depășiți frecvența maximă recomandată de implantare.
- ▶ Dacă produsul s-a supraîncălzit, lăsați-l să se răcească.
- ▶ Nu demontați produsul când acesta este fierbinte. Lăsați produsul să se răcească.

2.4 Manevrarea și folosirea cu precauție a acumulatorilor

- ▶ **Aveți în vedere următoarele instrucțiuni de protecție a muncii pentru manevrarea și utilizarea fără riscuri a acumulatorilor Li-Ion.** Nerespectarea acestora poate duce la iritații ale pielii, vătămări grave produse prin coroziune, arsuri chimice, incendii și/ sau explozii.
- ▶ Utilizați acumulatorii numai în stare tehnică impecabilă.
- ▶ Manevrați acumulatorii cu atenție, pentru a evita deteriorările și scăpările de lichide foarte dăunătoare sănătății!
- ▶ Modificarea sau manipularea acumulatorilor nu este permisă în niciun caz!
- ▶ Nu este permisă dezmembrarea, strivirea, încălzirea la peste 80°C (176°F) sau arderea acumulatorilor.
- ▶ Nu utilizați sau încărcăți niciun acumulator care a suferit o lovitură sau care a fost deteriorat în alt mod. Verificați regulat dacă acumulatorii dumneavoastră prezintă semnalmente de deteriorări.
- ▶ Nu utilizați niciodată acumulatori reciclați sau reparați.
- ▶ Nu folosiți niciodată acumulatorul sau o sculă electrică alimentată de la acumulatori pe post de unealtă percutoare.
- ▶ Nu expuneți niciodată acumulatorii direct la soare, unei temperaturi ridicate, formării de scântei sau flăcărilor deschise. Acest lucru poate duce la explozii.
- ▶ Nu atingeți polii bateriei cu degetele, cu accesorii de lucru, bijuterii sau alte obiecte care prezintă conductibilitate electrică. Acest lucru poate deteriora acumulatorul și poate cauza prejudicii materiale și vătămări.
- ▶ Feriți acumulatorii de ploaie, umezeală și lichide. Pătrunderea de umiditate poate cauza scurtcircuite, electrocutări, arsuri, incendiu și explozii.
- ▶ Utilizați numai redresoarele și sculele electrice prevăzute pentru acest tip de acumulator. Aveți în vedere în acest scop datele din manualele de utilizare corespunzătoare.
- ▶ Nu utilizați sau depozitați acumulatorul în medii cu pericol de explozie.
- ▶ Dacă acumulatorul se înfierbântă prea puternic pentru a putea fi ținut în mână, este posibil ca el să fie defect. Așteptați acumulatorul într-un loc vizibil, fără pericol de incendiu, la o distanță suficientă față de materialele inflamabile. Lăsați acumulatorul să se răcească. Dacă acumulatorul este încă prea fierbinte pentru a putea fi ținut în mână după o oră, atunci el este defect. Adresați-vă centrului de service **Hilti** sau citiți documentul "Indicații referitoare la securitate și utilizare pentru acumulatorii Li-Ion marca **Hilti**".



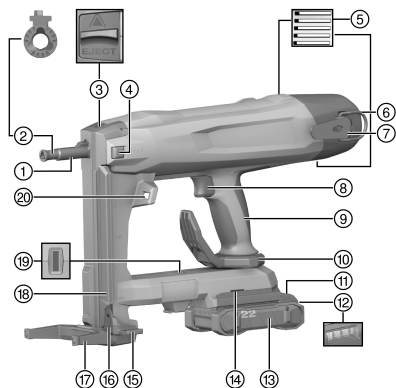
Aveți în vedere directivele speciale, valabile pentru transportul, depozitarea și utilizarea acumulatorilor Litiu-Ion.

Citiți indicațiile referitoare la securitate și utilizare pentru acumulatorii Li-Ion marca **Hilti**, pe care le găsiți prin scanarea codului QR de la finalul acestui manual de utilizare.



3 Descriere

3.1 Vedere generală a produsului



- ① Ciocul aparatului
- ② ghidajul bolțurilor
- ③ Închizătorul ghidajului de bolțuri
- ④ Buton de implantare simplu (BX 3-ME-22)
- ⑤ Fante de aerisire
- ⑥ Ureche pentru firul de susținere a accesoriului de lucru
- ⑦ Agățătoare de centură
- ⑧ Declanșator de siguranță
- ⑨ Mâner
- ⑩ Agățătoare de centură/pentru schelă
- ⑪ Tasta pentru deblocare pentru acumulator
- ⑫ Indicator de stare acumulator
- ⑬ Acumulator Li-Ion
- ⑭ Deschidere de montaj pentru accesorii
- ⑮ Cursor pentru cuie
- ⑯ Elementul de deblocare al cursorului pentru cuie
- ⑰ Piciorul de reazem
- ⑱ Magazia de alimentare
- ⑲ Indicator de stare la aparatul de implantare
- ⑳ Lampă pentru iluminarea spațiului de lucru

3.1.1 Dotarea

Ghidajul de bolțuri și piciorul de reazem sunt dependente de produs. Tabelul următor prezintă piciorul de reazem și ghidajul de bolțuri cu care este dotat produsul.

Informații suplimentare găsiți în capacul caseței, în **Hilti Store** sau la: www.hilti.group

| Produs | BX 3-22 | BX 3-L-22 | BX 3-ME-22 |
|---------------------|---------------|---------------|---------------|
| ghidajul bolțurilor | X-FG B3 IF 02 | X-FG B3 IF 02 | X-FG B3 ME |
| Piciorul de reazem | X-SL B3 03 | X-SL B3 03 | X-SL B3 ME 03 |

3.2 Utilizarea conformă cu destinația

Produsul este un aparat de implantare cu dirijare manuală și cu alimentare de la acumulatori. El este destinat implantării de elemente de fixare special construite în beton, oțel, zidărie, gresie calcaroasă și alte materiale de bază adecvate pentru montaj direct. Produsul este destinat și fixării de conductori electrici cu clipsuri, dacă se utilizează elemente de fixare adecvate în acest scop. Utilizați numai elemente de fixare avizate în combinație cu ghidajul de bolțuri destinat special (vezi capitolul "Date tehnice").

Aparatul de implantare, acumulatorul și elementele de fixare formează o unitate tehnică. Cu alte cuvinte, o fixare fără probleme cu acest aparat de implantare este garantată numai atunci când se utilizează elementele de fixare **Hilti** fabricate special în acest scop și redresoare și acumulatori recomandați de **Hilti**. Recomandările oferite de **Hilti** privind fixarea și utilizarea sunt valabile numai în cazul respectării acestor condiții.

- ▶ Utilizarea aparatului de implantare este permisă numai prin dirijare manuală.
- ▶ Nu sunt permise aplicații de lucru eronate. Printre aplicațiile de lucru eronate se numără implantări în materiale de bază foarte moi (de ex. lemn) și implantări în material de bază prea dur (de ex. oțel extrem de rigid sau piatră naturală foarte dură).
- Utilizați pentru acest produs numai acumulatori Li-Ion **Hilti** Nuron din seria de tip B 22. Pentru optimizarea randamentului, **Hilti** recomandă pentru acest produs acumulatorii indicați în tabelul de la finalul acestui manual de utilizare.
- Utilizați pentru acești acumulatori numai redresoarele **Hilti** din seriile de tip menționate în tabelul de la finalul acestui manual de utilizare.



3.3 Dispozitive de siguranță

În regim de funcționare cu magazine de alimentare, detectorul de cuie are rolul de a împiedica implantările eșuate care pot cauza prejudicii la aparatul de implantare.

Siguranța acționării prin presare are rolul de a împiedica implantarea liberă de cuie. Aparatul de implantare poate fi presat și declanșat în regim de funcționare cu magazine de alimentare numai cu cuiul introdus.

3.4 Caracteristici distinctive de dotare

Aparatul de implantare este dotat cu un mâner ergonomic, aderent și cu amortizare anti-vibrații, o agățătoare de centură și un cârlig pentru șelă, precum și cu un picior de reazem. Aparatul de implantare este protejat împotriva suprasolicitării de un dispozitiv electronic de protecție la suprasarcină și împotriva supraîncălzirii de un sistem de monitorizare a temperaturii.

3.5 Indicator de stare la aparatul de implantare

Indicatorul de stare de la aparatul de implantare oferă informații despre stările aparatului de implantare.

| Starea | Semnificație |
|--|--|
| LED-ul este stins | Aparatul de implantare este deconectat |
| LED-ul se aprinde în verde. | Aparatul de implantare este conectat și pregătit pentru operații de implantare |
| LED-ul se aprinde intermitent în verde. | Acumulatorul prea fierbinte sau acumulatorul prea slab |
| LED-ul se aprinde intermitent la fiecare 3 secunde în verde. | Aparatul de implantare este pe modul Stand-by, apăsarea ciocului aparatului activează aparatul de implantare |
| LED-ul se aprinde în albastru. | Aparatul de implantare este conectat, se vor încărca benzile de cuie |
| LED-ul se aprinde intermitent în albastru. | Aparatul de implantare este conectat, magazia de alimentare este complet goală |
| LED-ul se aprinde intermitent în galben. | Aparatul de implantare este prea fierbinte, vezi tabelul avariilor |
| LED-ul se aprinde intermitent în roșu. | Avarie la aparat, vezi tabelul avariilor |
| LED-ul se aprinde în roșu. | Avarie la aparat, vezi tabelul avariilor |

3.6 Indicațiile acumulatorului Li-Ion

Hilti Nuron Acumulatorii Li-Ion pot indica starea de încărcare, mesaje de eroare și starea acumulatorilor.

3.6.1 Indicatoare pentru starea de încărcare și mesaje de eroare

ATENȚIONARE

Pericol de accidentare prin căderea acumulatorului!

- ▶ Cu acumulatorul introdus, asigurați-vă după apăsarea tastei pentru deblocare că fixați în poziție acumulatorul din nou corect în produsul utilizat.

Pentru a obține una dintre următoarele indicații, apăsați scurt tasta pentru deblocare a acumulatorului.

Starea de încărcare, precum și avariile posibile sunt afișate și permanent, cât timp produsul racordat este conectat.

| Starea | Semnificație |
|---|---|
| Patru (4) LED-uri luminează constant în verde | Starea de încărcare: 100 % până la 71 % |
| Trei (3) LED-uri luminează constant în verde | Starea de încărcare: 70 % până la 51 % |
| Două (2) LED-uri luminează constant în verde | Starea de încărcare: 50 % până la 26 % |
| Un (1) LED luminează constant în verde | Starea de încărcare: 25 % până la 10 % |
| Un (1) LED se aprinde intermitent cu frecvență lentă în verde | Starea de încărcare: < 10 % |



| Starea | Semnificație |
|---|--|
| Un (1) LED se aprinde intermitent cu frecvență rapidă în verde | Acumulatorul Li-Ion este complet descărcat. Încărcați acumulatorul. Dacă LED-ul se aprinde în continuare intermitent cu frecvență rapidă după încărcarea acumulatorului, adresați-vă centrului de service Hilti . |
| Un (1) LED se aprinde intermitent cu frecvență rapidă în galben | Acumulatorul Li-Ion sau produsul asociat sunt suprasolicitate, prea fierbinți, prea reci sau este prezentă o altă eroare. Aduceți produsul și acumulatorul la temperatura de lucru recomandată și nu suprasolicitați produsul în aplicația de lucru. Dacă mesajul apare în continuare, adresați-vă centrului de service Hilti . |
| Un (1) LED se aprinde în galben | Acumulatorul Li-Ion și produsul asociat nu sunt compatibile. Vă rugăm să vă adresați centrului de service Hilti . |
| Un (1) LED se aprinde intermitent cu frecvență rapidă în roșu | Acumulatorul Li-Ion este blocat și nu poate fi utilizat în continuare. Vă rugăm să vă adresați centrului de service Hilti . |

3.6.2 Indicatoare pentru starea acumulatorului

Pentru a interoga starea acumulatorului, țineți apăsată tasta pentru deblocare mai mult de trei secunde. Sistemul nu detectează nicio disfuncționalitate potențială a bateriei din cauza unui tratament abuziv, ca de ex. cădere, împunsături, deteriorări externe cauzate de căldură etc.

| Starea | Semnificație |
|---|---|
| Toate LED-urile se aprind ca lumină dinamică și apoi se aprinde un (1) LED constant în verde. | Acumulatorul poate fi utilizat în continuare. |
| Toate LED-urile se aprind ca lumină dinamică și apoi se aprinde intermitent un (1) LED rapid în galben. | Interogarea stării acumulatorului nu a putut fi încheiată. Repetați procedeele sau adresați-vă centrului de service Hilti . |
| Toate LED-urile se aprind ca lumină dinamică și apoi se aprinde (1) LED constant în roșu. | Dacă un produs racordat poate fi utilizat în continuare, capacitatea rămasă a acumulatorului este sub 50%. Dacă un produsul racordat nu mai poate fi utilizat, acumulatorul este la finalul duratei sale de serviciu și trebuie să fie înlocuit. Vă rugăm să vă adresați centrului de service Hilti . |

3.7 Bluetooth® (opțional)

Marca verbală Bluetooth® precum și simbolurile grafice (logo-urile) sunt mărci înregistrate și proprietate a Bluetooth SIG, Inc. Orice utilizare a acestei mărci verbale/acestor simboluri grafice de către **Hilti** Aktiengesellschaft se realizează sub licență.

3.7.1 Folosirea în conformitate cu destinația

Acest produs este dotat cu un modul Bluetooth® Low Energy, care permite verificarea stării unei scule electrice, precum și transmiterea de setări și date prin tehnologie radio Bluetooth®, o transmisie de date fără fir, prin care două produse compatibile Bluetooth pot comunica pe o distanță scurtă între ele. Acest produs este dezvoltat pentru a face posibilă comunicația și transferul de date cu telefoanele mobile și **Hilti** gateways. Produsul poate transmite date caracteristice cum sunt amplasamentul terminalului receptor, timpul de funcționare, numărul total al aplicațiilor de lucru, numărul aplicațiilor de lucru pe parcursul intervalului și eticheta de timp a transmisiei. Informațiile referitoare la funcțiile de conectivitate oferite găsiți în aplicația (App) **Hilti** corespunzătoare sau în manualul de utilizare al sculei electrice utilizate.

3.7.2 Transmisia datelor prin Bluetooth®

Intervalul de emisie poate varia în funcție de sursa de energie disponibilă a produsului. Raza de acțiune poate varia mult în funcție de condițiile exterioare, inclusiv aparatul de recepție utilizat. În spații închise și între bariere



metalice (de ex. pereți, rafturi, casete etc.), raza de acțiune prin Bluetooth® poate fi considerabil mai redusă. În funcție de mediu, pot fi necesare mai multe intervale de emisie până când scula electrică să fie detectată. Dacă scula electrică nu este detectată, verificați următoarele:

Este distanța față de terminalul mobil prea mare?

→ Diminuați distanța dintre terminalul mobil și scula electrică

3.7.3 Instalarea și configurarea aplicației

Pentru a putea utiliza funcțiile de conectivitate, trebuie să instalați mai întâi aplicația **Hilti** corespunzătoare.

(1.) Descărcați aplicația printr-un App-Store corespunzător.



Se presupune că există un cont de utilizator la App-Store-ul corespunzător.

(2.) După ce porniți aplicația pentru prima dată, vă rugăm să vă autentificați cu contul dumneavoastră sau să vă înregistrați.

(3.) Display-ul terminalului dumneavoastră mobil arată toți pașii următori pentru conexiunea sculei electrice cu terminalul mobil.



Parcurgeți mai întâi complet tutorialul aplicației. Ca urmare, veți avea o perspectivă mai bună asupra procesului de conectare și utilizării funcțiilor de conectivitate.

3.8 Protecția împotriva descărcării pronunțate

Produsul dispune un mod de menținere în stare descărcată, pentru protecția acumulatorului Li-Ion împotriva descărcării pronunțate. Ca urmare, este împiedicată descărcarea puternică a acumulatorului.

- Protecția împotriva descărcării pronunțate va fi activată după 360 minute.
- Pentru a dezactiva protecția împotriva descărcării pronunțate, îndepărtați acumulatorul și introduceți-l din nou.

3.9 Setul de livrare

Aparat de implantare , manual de utilizare.

Alte produse din sistem, avizate pentru produsul dumneavoastră, găsiți la centrul dumneavoastră **Hilti Store** sau la: www.hilti.group

4 Date tehnice

| | BX 3-22 | BX 3-L-22 | BX 3-ME-22 |
|--|-----------------|--------------------|-------------------|
| Greutate conform EPTA Procedure 01 fără acumulator | 3,5 kg | 3,5 kg | 3,4 kg |
| Lungimea cuielor magazinate | 14 mm ... 30 mm | 14 mm ... 36 mm | 14 mm ... 24 mm |
| Lungimea cuiului la implantare bolț cu bolț | •/• | •/• | 30 mm ... 36 mm |
| Diametrul cuiului | 3 mm | 2,75 mm ... 3,0 mm | 3 mm |
| Capacitatea magaziei | 30 cuie | 30 cuie | 20 cuie |
| Cursa de acțiune prin presare | 12 mm | 12 mm | 12 mm |
| Forța de apăsare | 50 N ... 70 N | 50 N ... 70 N | 50 N ... 70 N |
| Frecvența de implantare maximă recomandată la temperatura camerei | 700/h | 700/h | 700/h |
| Tensiunea nominală | 21,6 V | 21,6 V | 21,6 V |



| | BX 3-22 | BX 3-L-22 | BX 3-ME-22 |
|--|-------------------------|-------------------------|-------------------------|
| Puterea de emisie maximă iradiată prin Bluetooth® | 8 dBm | 8 dBm | 8 dBm |
| Domeniul de frecvențe Bluetooth | 2.402 MHz ... 2.480 MHz | 2.402 MHz ... 2.480 MHz | 2.402 MHz ... 2.480 MHz |
| Temperatura de depozitare | -20 °C ... 70 °C | -20 °C ... 70 °C | -20 °C ... 70 °C |
| Temperatura ambiantă în timpul funcționării | -17 °C ... 60 °C | -17 °C ... 60 °C | -17 °C ... 60 °C |

4.1 Acumulator

| | |
|---|--|
| Tensiunea de lucru a acumulatorului | 21,6 V |
| Greutate acumulator | Vezi finalul acestui manual de utilizare |
| Temperatura ambiantă în timpul funcționării | -17 °C ... 60 °C |
| Temperatura de depozitare | -20 °C ... 40 °C |
| Temperatura acumulatorului la începutul încărcării | -10 °C ... 45 °C |

4.2 Datele privind zgomotul și valorile vibrațiilor conform EN 62841

Valorile presiunii acustice și ale vibrațiilor indicate în aceste instrucțiuni au fost măsurate corespunzător unui procedeu standardizat de măsură și pot fi utilizate pentru compararea reciprocă a sculelor electrice. Ele sunt adecvate și pentru o apreciere provizorie a valorilor de expunere.

Datele indicate se referă la aplicațiile principale de lucru ale sculei electrice. Firește că, dacă scula electrică este utilizată pentru alte aplicații de lucru cu dispozitive de lucru neprevăzute sau cu o întreținere insuficientă, datele pot să difere. Acest lucru poate ridica în mod considerabil valorile de expunere pe întreaga durată de lucru.

Pentru o apreciere exactă a valorilor de expunere, trebuie să se ia în calcul și timpii în care aparatul este deconectat sau în care el funcționează, dar nu execută efectiv nicio activitate. Acest lucru poate reduce în mod considerabil valorile de expunere pe întreaga durată de lucru.

Stabiliți măsuri de securitate suplimentare pentru protecția operatorului față de efectele sonore și ale vibrațiilor, ca de exemplu: întreținerea sculei electrice și a dispozitivelor de lucru, menținerea mâinilor în stare caldă, organizarea proceselor de lucru.

Date privind zgomotul

| | | BX 3-22 | BX 3-L-22 | BX 3-ME-22 |
|--|--------------|----------------|------------------|-------------------|
| Nivelul tipic al puterii acustice emise, evaluat după curba de filtrare A (la percutarea de cuie) (L_{WA}) | Beton | 96 dB | 96 dB | 96 dB |
| | Oțel | 100 dB | 100 dB | 100 dB |
| Nivelul tipic al presiunii acustice emise, evaluat după curba de filtrare A (la percutarea de cuie) (L_{pA}) | Beton | 85 dB | 85 dB | 85 dB |
| | Oțel | 89 dB | 89 dB | 89 dB |
| Insecuritatea pentru nivelul de zgomot menționat (K_{WA}, K_{pA}) | | 3 dB | 3 dB | 3 dB |

Valorile totale ale vibrațiilor uniaxiale (în direcția z)

| | | BX 3-22 | BX 3-L-22 | BX 3-ME-22 |
|--|--------------|----------------------|----------------------|----------------------|
| Valoarea emisiei vibrațiilor (la percutarea de cuie) cu acumulator B22 55 (a₁) | Beton | 2,5 m/s ² | 2,5 m/s ² | 2,5 m/s ² |
| | Oțel | 3,3 m/s ² | 3,3 m/s ² | 3,3 m/s ² |
| Valoarea emisiei vibrațiilor (la percutarea de cuie) cu acumulator B22 85 (a₁) | Beton | 2,9 m/s ² | 2,9 m/s ² | 2,9 m/s ² |
| | Oțel | 3,5 m/s ² | 3,5 m/s ² | 3,5 m/s ² |
| Insecuritatea (K) | | 1,5 m/s ² | 1,5 m/s ² | 1,5 m/s ² |



5 Pregătirea lucrului

ATENȚIONARE

Pericol de accidentare Prin pornirea involuntară!

- ▶ Înainte de introducerea acumulatorului, asigurați-vă că produsul aferent este deconectat.
- ▶ Înlăturați acumulatorul înainte de a realiza reglaje la mașină sau de a schimba accesorii.

Aveți în vedere indicațiile de securitate și de avertizare din această documentație și de pe produs.

5.1 Încărcarea acumulatorului

1. Înainte de încărcare, citiți manualul de utilizare al redresorului.
2. Aveți în vedere ca la contactele acumulatorului și ale redresorului să existe curățenii și acestea să fie uscate.
3. Încărcați acumulatorul într-un redresor avizat. → Pagina 189

5.2 Introducerea acumulatorului

ATENȚIONARE

Pericol de accidentare Prin scurtcircuit sau căderea acumulatorului!

- ▶ Înainte de introducerea acumulatorului, asigurați-vă că la contactele acumulatorului și la contactele de pe produs nu există corpuri străine.
- ▶ Asigurați-vă că acumulatorul este întotdeauna fixat corect în poziție.

1. Încărcați acumulatorul complet înainte de prima punere în funcțiune.
2. Introduceți prin glisare acumulatorul în produs până când acesta se înclichetează cu zgomotul caracteristic.
3. Controlați stabilitatea acumulatorului.

5.3 Îndepărtarea acumulatorului

1. Apăsăți tasta pentru deblocare a acumulatorului.
2. Trageți acumulatorul afară din produs.

5.4 Detașare ghidajului de boțuri

1. Trageți în jos cursorul pentru cuie, până când acesta se cuplează.
2. Goliți magazia de alimentare. → Pagina 197
3. Introduceți prin glisare închizătorul ghidajului de boțuri în sensul indicat de săgeată până la opritor.
 - ▶ Ghidajul de boțuri este deblocat.
4. Extrageți ghidajul de boțuri.

5.5 Introducerea ghidajului de boțuri

1. Trageți în jos cursorul pentru cuie, până când acesta se cuplează.
2. Goliți magazia de alimentare. → Pagina 197
3. Introduceți prin glisare închizătorul ghidajului de boțuri în sensul indicat de săgeată până la opritor și țineți-l în această poziție.
4. Introduceți prin glisare ghidajul de boțuri până la fixarea cu zgomot perceptibil în ciocul aparatului.
5. Eliberați închizătorul ghidajului de boțuri.
 - ▶ Închizătorul ghidajului de boțuri sare în poziție centrală.
6. Verificați așezarea sigură prin tragere de ghidajul de boțuri.

5.6 Lucrul în siguranță cu agățătoarea de centură și cârligul pentru schelă 2

- ▶ Înainte de începerea lucrului asigurați-vă că ați fixat în siguranță agățătoarea de centură/ pentru schelă la produs.
- ▶ Utilizați agățătoarea de centură/ pentru schelă numai atât timp cât este necesar. Depuneți produsul într-un loc sigur, dacă nu îl utilizați pentru un interval lung de timp.



5.7 Siguranță pentru lucru la înălțime 3

ATENȚIONARE

Pericol de accidentare Prin căderea accesoriului de lucru și/ sau altor accesorii!

- ▶ Utilizați numai firul de susținere a accesoriului de lucru **Hilti** recomandat pentru produsul dumneavoastră.
- ▶ Înainte de fiecare utilizare, verificați dacă la punctul de fixare al firului de susținere a accesoriului de lucru există deteriorări.
- ▶ Nu fixați niciun fir de susținere a accesoriului de lucru la agățătoarea de centură. Nu utilizați agățătoarea de centură pentru ridicarea produsului.



Respectați directivele naționale din țara dumneavoastră pentru lucrul la înălțime.

Ca siguranță de lucru la înălțime pentru acest produs, utilizați exclusiv firul de susținere a accesoriului de lucru **Hilti** #2261970.

- ▶ Fixați firul de susținere a accesoriului de lucru cu un cârlig cu carabină pe produs așa cum este reprezentat în imagine. Controlați stabilitatea cârligului cu carabină.
- ▶ Fixați al doilea cârlig cu carabină la o structură de rezistență. Controlați stabilitatea cârligului cu carabină.



Aveți în vedere manualele de utilizare ale firelor de susținere a accesoriului de lucru **Hilti**.

5.8 Încărcare pentru regim de funcționare cu magazie de alimentare 4

AVERTISMENT

Pericol de strivire! Retractarea bruscă a cursorului pentru cuițe poate produce accidentări și poate cauza deteriorări la aparatul de implantare.

- ▶ La tragerea în jos a cursorului pentru cuițe, aveți în vedere ca acesta să se fixeze în siguranță. Nu lăsați cursorul pentru cuițe să se retracteze brusc.

1. Trageți în jos cursorul pentru cuițe, până când acesta se cuplează.
2. Lăsați benzile de cuițe să gliseze în magazia de alimentare (maxim 3 benzi cu câte 10 cuițe).
3. Țineți ferm cursorul pentru cuițe și apăsați pe elementul de deblocare al cursorului pentru cuițe.
4. Duceți înapoi cursorul pentru cuițe, până când el atinge un cui.

5.9 Încărcarea pentru regimul de implantare bolț cu bolț

BX 3-ME-22

AVERTISMENT

Pericol de strivire! Retractarea bruscă a cursorului pentru cuițe poate produce accidentări și poate cauza deteriorări la aparatul de implantare.

- ▶ La tragerea în jos a cursorului pentru cuițe, aveți în vedere ca acesta să se fixeze în siguranță. Nu lăsați cursorul pentru cuițe să se retracteze brusc.

1. Trageți în jos cursorul pentru cuițe, până când acesta se cuplează.
2. Lăsați benzile de cuițe să gliseze afară din magazia de alimentare și asigurați-vă că magazia de alimentare este goală.



Aparatul de implantare poate fi deteriorat dacă, înainte de implantare în regimul de implantare bolț cu bolț, nu ați îndepărtat toate cuițele din magazia de alimentare.

3. Țineți ferm cursorul pentru cuițe și apăsați pe elementul de deblocare al cursorului pentru cuițe.
4. Duceți înapoi cursorul pentru cuițe.
5. Așezați cuiul în adâncitura prevăzută special din ghidajul de bolțuri. Opțional, puteți introduce apoi suplimentar un element de fixare avizat pe ghidajul de bolțuri.



Implantarea cu mai mult de un cui în ghidajul de bolțuri poate cauza prejudicii la aparatul de implantare. Echipați ghidajul de bolțuri în regim de implantare bolț cu bolț cu maxim un cui.



6. Acționați comutatorul de implantare bolț cu bolț.

- ▶ Comutatorul de implantare bolț cu bolț se fixează în poziție cu zgomot perceptibil.



Când cursorul pentru cuie este tras câțiva centimetri în jos, comutatorul de implantare bolț cu bolț se desprinde din nou.

6 Modul de utilizare

Aveți în vedere indicațiile de securitate și de avertizare din această documentație și de pe produs.

6.1 Utilizarea piciorului de reazem

Pe un material de bază plan, piciorul de reazem ușurează așezarea perpendiculară a aparatului de implantare, deoarece trebuie să se acorde atenție numai pe direcția laterală poziționării perpendiculare. Pe un substrat denivelat poate fi necesară închiderea prin rabatare a piciorului de reazem, pentru a alinia ghidajul de bolțuri perpendicular pe materialul de bază.

6.1.1 Închiderea prin rabatare a piciorului de reazem

1. Apăsăți pe piciorul de reazem, pentru a-l desface din poziția sa de fixare.
2. Pivotați piciorul de reazem înapoi.

6.1.2 Deschiderea prin rabatare a piciorului de reazem



AVERTISMENT

Pericol de strivire! La întoarcerea piciorului de reazem apare pericolul ca degetele să fie strivite între piciorul de reazem și carcasă.

- ▶ Țineți aparatul de implantare de mâner la întoarcerea piciorului de reazem.

1. Pivotați piciorul de reazem spre înainte.
2. Apăsăți de jos pe piciorul de reazem, pentru a-l fixa în poziția deschisă.

6.2 Deconectarea interfeței Bluetooth (opțional)

- ▶ Apăsăți aparatul de implantare pentru 10 secunde pe materialul de bază.
 - ▶ După 6 secunde, elementul elastic va fi detensionat cu zgomotul specific (țineți aparatul de implantare în continuare apăsat încă 4 secunde).
 - ▶ Indicatorul de stare se aprinde intermitent de 3 ori în albastru.
 - ▶ Zgomotul de motor se produce de 3 ori.
 - ▶ Nu mai este posibilă nicio transmisie de date.



Dacă vă aflați într-un mediu sensibil (de ex. spital) unde nu este permisă prezența de interfețe Bluetooth, puteți dezactiva interfața Bluetooth.

Pentru a conecta din nou interfața Bluetooth, îndepărtați acumulatorul și introduceți-l din nou.

6.3 Conectarea/deconectarea aparatului de implantare

6.3.1 Conectarea aparatului de implantare



ATENȚIONARE

Pericol de accidentare! Presarea aparatului de implantare pe o parte de corp poate provoca vătămări grave prin declanșarea involuntară a unei implantări.

- ▶ **Nu presați niciodată aparatul de implantare pe mâna dumneavoastră sau pe o altă parte a corpului.**

1. Echipați magazia de alimentare în regimul de funcționare cu magazie de alimentare. → Pagina 195
2. Introduceți acumulatorul. → Pagina 194
 - ▶ Indicatorul de stare se aprinde intermitent cu frecvență lentă în verde.



La funcționarea cu putere diminuată a acumulatorului, aparatul de implantare se deconectează înainte să apară o deteriorare a elementelor de acumulator.



3. Presați aparatul de implantare pentru conectare pe un material de bază adecvat.

- ▶ Aparatul de implantare va fi tensionat.
- ▶ Indicatorul de stare se aprinde în verde.

6.3.2 Deconectarea aparatului de implantare

- ▶ Înlăturați acumulatorul. → Pagina 194
- ▶ Elementul elastic este detensionat cu zgomotul specific și indicatorul de stare se stinge.



După 6 minute, aparatul de implantare produce un zgomot de motor ca indicație că aparatul de implantare tocmai s-a deconectat. După indicație, aparatul de implantare se oprește automat.

6.4 Executarea unei implantări

ATENȚIONARE

Pericol de accidentare Prin penetrarea elementelor de fixare!

- ▶ Asigurați-vă înainte de implantarea elementelor de fixare că nimeni nu se află în spatele piesei sau sub piesa în care este implantat elementul de fixare.

ATENȚIONARE

Pericol de vătămare cauzat de piesele aruncate! Pe parcursul procesului de implantare apare pericolul accidentărilor la corp și ochii din cauza sfărâmării materialului de bază și a pieselor aruncate în afară din banda de cuie.

- ▶ **Purtați echipamentul personal de protecție și, întotdeauna, apărătoare pentru ochi și mănuși de protecție.** Celelalte persoane din preajmă trebuie să poarte, de asemenea, apărătoare pentru ochi și cască de protecție.

ATENȚIONARE

Pericol de accidentare! Presarea aparatului de implantare pe o parte de corp poate provoca vătămări grave prin declanșarea involuntară a unei implantări.

- ▶ **Nu presați niciodată aparatul de implantare pe mâna dumneavoastră sau pe o altă parte a corpului.**

1. Înainte de a începe lucrul, implantați de probă 2 elemente de fixare în materialul de bază.
2. Așezați aparatul de implantare perpendicular pe suportul de bază și presați ghidajul de bolțuri până la opritor.
 - ▶ Aparatul de implantare va fi conectat.
3. Declanșați implantarea prin apăsarea declanșatorului de siguranță.
4. După implantare, desprindeți complet aparatul de implantare de pe suportul de bază.



Dacă ghidajul de bolțuri este apăsat un timp mai lung de 6 secunde pe un material de bază fără să se declanșeze o implantare, aparatul de implantare trece automat pe modul Standby. Aparatul de implantare este încărcat din nou printr-o nouă așezare a ciocului aparatului pe materialul de bază.

6.5 Extragerea cuielor în regim de funcționare cu magazie de alimentare

1. Trageți în jos cursorul pentru cuie, până când acesta se cuplează.
2. Extrageți prin glisare cuietele în jos din magazia de alimentare.
3. Țineți ferm cursorul pentru cuie și apăsați pe elementul de deblocare al cursorului pentru cuie.
4. Duceți înapoi cursorul pentru cuie în poziția inițială.

6.6 Desprinderea unui cui înțepenit

ATENȚIONARE

Pericol de accidentare și deteriorare a aparatului de implantare. Utilizarea de obiecte inadecvate în locul accesoriile originale recomandate de Hilti poate duce la accidentări și poate deteriora aparatul de implantare.

- ▶ Utilizați pentru desprinderea unui cui înțepenit exclusiv setul recomandat de extragere prin percuție.



⚠ ATENȚIONARE

Pericol de vătămare cauzat de piesele aruncate! O implantare poate duce la accidentări cauzate de piesele aruncate, în cazul în care corpuri străine se află în zona ghidajului de bolțuri sau dacă elemente de fixare sunt înțepenite în ghidajul de bolțuri.

► Nu încercați niciodată să remediați avarii la aparatul de implantare prin declanșarea altor implantări!



Unele cuișe se pot înțepeni în ghidajul de bolțuri. Cu ajutorul setului de extragere prin percuție X-NP puteți îndepărta cuișele înțepenite din ghidajul de bolțuri. Accesorii găsiți la centrul dumneavoastră **Hilti Store** sau online la **www.hilti.group**.

1. Extrageți ghidajul de bolțuri (vezi → Pagina 194).
2. Introduceți ghidajul de bolțuri în manșonul adaptor al setului de extragere prin percuție.
3. Extrageți prin percuție cuiul înțepenit din ghidajul de bolțuri cu ajutorul extractorului cu percuție și al unui ciocan.
4. Introduceți ghidajul de bolțuri (vezi → Pagina 194).

7 Îngrijirea și întreținerea

⚠ ATENȚIONARE

Pericol de accidentare când acumulatorul este introdus !

► Înaintea tuturor lucrărilor de îngrijire și întreținere, extrageți întotdeauna acumulatorul!

Îngrijirea produsului

- Îndepărtați cu precauție murdăria aderentă.
- Dacă există, curățați cu precauție fantele de aerisire, folosind o perie uscată și moale.
- Curățați carcasa numai cu o cârpă ușor umezită. Nu utilizați produse de îngrijire care conțin silicon, deoarece acestea pot ataca piesele din plastic.
- Utilizați o cârpă curată și uscată, pentru a curăța contactele produsului.

Îngrijirea acumulatorilor Li-Ion

- Nu utilizați niciodată un acumulator cu fantele de aerisire astupate. Curățați fantele de aerisire cu multă atenție, folosind o perie uscată și moale.
- Evitați expunerea inutilă a acumulatorului la praf sau murdărie. Nu expuneți niciodată acumulatorul la umiditate ridicată (de ex. prin scufundare în apă sau lăsarea lui în ploaie). Dacă un acumulator este pătruns de umiditate, tratați-l ca pe un acumulator deteriorat. Izolați-l într-un recipient neinflamabil și adresați-vă centrului de service **Hilti**.
- Păstrați acumulatorul fără urme de ulei și unsoare de altă proveniență. Nu permiteți ca praful sau murdăria să se acumuleze inutil pe acumulator. Curățați acumulatorul cu o perie uscată și moale sau cu o cârpă curată și uscată. Nu utilizați produse de îngrijire care conțin silicon, deoarece acestea pot ataca piesele din plastic.
- Nu atingeți contactele acumulatorului și nu îndepărtați unsoarea aplicată din fabricație de pe contacte.
- Curățați carcasa numai cu o cârpă ușor umezită. Nu utilizați produse de îngrijire care conțin silicon, deoarece acestea pot ataca piesele din plastic.

Întreținerea

- Verificați regulat la toate piesele vizibile dacă există deteriorări și funcționarea impecabilă a elementelor de comandă.
- În caz de deteriorări și/ sau disfuncționalități, nu puneți produsul în exploatare. Dispuneți urgent repararea produsului la centrul de service de la **Hilti**.
- După lucrările de îngrijire și întreținere, atașați toate dispozitivele de protecție și verificați funcționarea impecabilă a acestora.



Pentru o exploatare sigură utilizați numai piese de schimb și materiale consumabile originale. Piese de schimb, materiale consumabile și accesorii avizate de **Hilti** pentru produs găsiți la centrul dumneavoastră **Hilti Store** sau la: **www.hilti.group**



7.1 Curățarea părții interioare a ciocului aparatului

1. Desprindeți ghidajul de bolțuri. → Pagina 194
2. Curățați partea interioară a ciocului aparatului.
3. Introduceți ghidajul de bolțuri. → Pagina 194

8 Transportul și depozitarea accesoriilor de lucru cu acumulator și a acumulatorilor

Transportul

AVERTISMENT

Pornire involuntară la transport !

- ▶ Transportați întotdeauna produsele dumneavoastră fără acumulatori introduși!
- ▶ Extrageți acumulatorii.
- ▶ Transportați și depozitați întotdeauna aparatul într-o casetă asigurată.
- ▶ Nu transportați niciodată acumulatorii în vrac. Pe parcursul transportului, acumulatorii trebuie protejați împotriva șocurilor și vibrațiilor excesive și izolați de orice materiale conductoare electric sau de alți acumulator, astfel încât să nu ajungă în contact cu alte borne de baterie și să cauzeze un scurtcircuit. **Aveți în vedere prescripțiile de transport locale, valabile pentru acumulatori în zona dumneavoastră.**
- ▶ Trimiterea acumulatorilor prin poștă nu este permisă. Adresați-vă unei companii de expedieri dacă doriți să trimiteți acumulatori nedeteriorați.
- ▶ Controlați înainte de fiecare utilizare, precum și înaintea unui transport lung și după acesta, dacă produsul și acumulatorii prezintă deteriorări.

Depozitarea

ATENȚIONARE

Deteriorare involuntară cauzată de acumulatori defecți sau din care iese lichid !

- ▶ Depozitați întotdeauna produsele dumneavoastră fără acumulatori introduși!
- ▶ Depozitați produsul și acumulatorii în spații răcoroase și uscate. Aveți în vedere valorile limită de temperatură, indicate în Date tehnice.
- ▶ Nu păstrați acumulatorii în redresor. Scoateți întotdeauna acumulatorul de la redresor după procesul de încărcare.
- ▶ Nu depozitați niciodată acumulatorii în soare, pe surse de căldură sau în spatele geamurilor de sticlă.
- ▶ Depozitați produsul și acumulatorii în spații inaccesibile pentru copii și pentru persoanele neautorizate.
- ▶ Controlați înainte de fiecare utilizare, precum și înaintea unei depozitări lungi și după aceasta, dacă produsul și acumulatorii prezintă deteriorări.

9 Asistență în caz de avarii

Dacă nu există alte indicații, toate semnalele luminoase descrise se referă la indicatorul de stare al aparatului de implantare. La toate avariile, aveți în vedere indicatorul stării de încărcare și al erorilor pentru acumulator. Vezi capitolul **Indicațiile acumulatorului Li-Ion**.

În cazul avariilor care nu sunt prezentate în acest tabel sau pe care nu le puteți remedia prin mijloace proprii, vă rugăm să vă adresați centrul nostru de service **Hilti**.

| Avarie | Cauza posibilă | Soluție |
|---|------------------------------|--|
| Indicatorul de stare se aprinde intermitent în verde. | Acumulator gol. | ▶ Schimbați acumulatorul. |
| Elementul elastic nu este tensionat, indicatorul de stare se aprinde intermitent în verde. | Acumulator gol. | ▶ Schimbați acumulatorul. |
| Ghidajul de bolțuri nu se poate apăsa și indicatorul de stare se aprinde în albastru . | Magazia de alimentare goală. | ▶ Echipați magazia de alimentare în regimul de funcționare cu magazie de alimentare. → Pagina 195 |



| Avarie | Cauza posibilă | Soluție |
|---|--|---|
| Ghidajul de bolțuri nu se poate apăsa și indicatorul de stare se aprinde verde . | Cursorul pentru cuie înțepenit. | ▶ Extrageți benzile de cuie din magazia de alimentare și curățați magazia de alimentare. |
| | Cuiul înțepenit în ghidajul de bolțuri. | ▶ Desfaceți cuiul înțepenit. → Pagina 197 |
| Elementul elastic este tensionat cu temporizare, indicatorul de stare se aprinde intermitent în albastru, concomitent se emite un semnal acustic; apoi indicatorul de stare se aprinde pentru 6 minute în albastru. | Magazia de alimentare goală. | ▶ Echipați magazia de alimentare în regimul de funcționare cu magazine de alimentare. → Pagina 195 |
| Elementul elastic nu este posttensionat și indicatorul de stare se aprinde intermitent în galben. | Supratemperatură în aparatul de implantare. | ▶ Lăsați aparatul de implantare să se răcească. |
| | Temperatura acumulatorului prea ridicată. | ▶ Lăsați acumulatorul să se răcească. |
| | Temperatura acumulatorului prea scăzută. | ▶ Lăsați acumulatorul să se încălzească lent la temperatura camerei. |
| Elementul elastic nu este tensionat și indicatorul de stare se aprinde intermitent în roșu. | Ghidajul de bolțuri nu este introdus corect. | ▶ Introduceți ghidajul de bolțuri. → Pagina 194 |
| Elementul elastic nu este tensionat și indicatorul de stare se aprinde în roșu. | Eroare la aparat. | ▶ Adresați-vă centrului de service Hilti . |
| Elementul elastic nu este tensionat; niciun indicator de stare. | Acumulator gol. | ▶ Schimbați acumulatorul. |
| | Acumulatorul nu este introdus corect. | ▶ Îndepărtați acumulatorul și introduceți-l corect. → Pagina 194 |
| | Protecția împotriva descărcării pronunțate este activă. | ▶ Îndepărtați acumulatorul și introduceți-l din nou. |
| Ghidajul de bolțuri înțepenit în stare apăsată. | Impurități între ghidajul de bolțuri și ciocul aparatului. | ▶ Curățați partea interioară a ciocului aparatului. → Pagina 199 |

10 Dezafectarea și evacuarea ca deșuri



ATENȚIONARE

Pericol de accidentare prin dezafectarea și evacuarea improprie a deșeurilor! Pericole pentru sănătate din cauza ieșirii de gaze sau lichide.

- ▶ Nu expediați sau trimiteți niciun acumulator deteriorat!
- ▶ Acoperiți racordurile cu un material neconductor electric, pentru a evita scurtcircuitele.
- ▶ Evacuați ca deșeu acumulatorii astfel încât ei să nu poată ajunge în mâinile copiilor.
- ▶ Evacuați acumulatorul ca deșeu la magazinul dumneavoastră **Hilti Store** sau adresați-vă companiei responsabile cu deșeurile din zona dumneavoastră.



Produsele **Hilti** sunt fabricate într-o proporție mare din materiale reutilizabile. Condiția necesară pentru reciclare este separarea corectă a materialelor. În multe țări, **Hilti** preia înapoi mașina dumneavoastră vechi pentru valorificare. Solicitați informații de la centrul pentru clienți **Hilti** sau de la consilierul dumneavoastră de vânzări.



- ▶ Nu aruncați sculele electrice, aparatele electronice și acumulatorii în containerele de gunoi menajer!



11 Garanția producătorului

- ▶ Pentru relații suplimentare referitoare la condițiile de garanție legală, vă rugăm să vă adresați partenerului dumneavoastră local **Hilti**.

12 Alte informații

Informații adiționale referitoare la modul de utilizare, echipament, mediu și reciclare găsiți sub link-ul următor: qr.hilti.com/manual?id=2268212&id=2268213

Găsiți acest link și la finalul documentației sub formă de cod QR.

Μετάφραση οδηγιών χρήσης από το πρωτότυπο

1 Στοιχεία για την τεχνική τεκμηρίωση

1.1 Σχετικά με την παρούσα τεκμηρίωση

- Πριν από την πρώτη θέση σε λειτουργία διαβάστε την παρούσα τεκμηρίωση. Αποτελεί προϋπόθεση για ασφαλή εργασία και απρόσκοπτο χειρισμό.
- Προσέξτε τις υποδείξεις ασφαλείας και προειδοποίησης στην παρούσα τεκμηρίωση και στο προϊόν.
- Φυλάξτε τις οδηγίες χρήσης πάντα στο προϊόν και δίνετε το προϊόν σε άλλα πρόσωπα μόνο μαζί με αυτές τις οδηγίες χρήσης.

1.2 Επεξήγηση συμβόλων

1.2.1 Υποδείξεις προειδοποίησης

Οι υποδείξεις προειδοποίησης προειδοποιούν από κινδύνους κατά την εργασία με το προϊόν. Χρησιμοποιούνται οι ακόλουθες λέξεις επισήμανσης:

ΚΙΝΔΥΝΟΣ

ΚΙΝΔΥΝΟΣ !

- ▶ Για μια άμεσα επικίνδυνη κατάσταση, που οδηγεί σε σοβαρό ή θανατηφόρο τραυματισμό.

ΠΡΟΕΙΔΟΠΟΙΗΣΗ

ΠΡΟΕΙΔΟΠΟΙΗΣΗ !

- ▶ Για μια πιθανά επικίνδυνη κατάσταση, που μπορεί να οδηγήσει σε σοβαρό ή θανατηφόρο τραυματισμό.







ΠΡΟΣΟΧΗ

ΠΡΟΣΟΧΗ !

- ▶ Για μια πιθανόν επικίνδυνη κατάσταση, που ενδέχεται να οδηγήσει σε τραυματισμούς ή υλικές ζημιές.

1.2.2 Σύμβολα στις οδηγίες χρήσης

Στις παρούσες οδηγίες χρήσης χρησιμοποιούνται τα ακόλουθα σύμβολα:

| | |
|---|--|
|  | Προσέξτε τις οδηγίες χρήσης |
|  | Υποδείξεις χρήσης και άλλες χρήσιμες πληροφορίες |
|  | Χειρισμός ανακυκλώσιμων υλικών |
|  | Μην πετάτε τα ηλεκτρικά εργαλεία και τις μπαταρίες στον κάδο οικιακών απορριμμάτων |
|  | Hilti Επαναφορτιζόμενη μπαταρία Li-Ion |
|  | Hilti Φορτιστής |



1.2.3 Σύμβολα σε εικόνες

Στις εικόνες χρησιμοποιούνται τα ακόλουθα σύμβολα:

| | |
|---|---|
| | Αυτοί οι αριθμοί παραπέμπουν στην εκάστοτε εικόνα στην αρχή αυτών των οδηγιών χρήσης. |
| 3 | Η αρίθμηση δείχνει τη σειρά των βημάτων εργασίας στην εικόνα και ενδέχεται να διαφέρει από τα βήματα εργασίας στο κείμενο. |
| | Οι αριθμοί θέσης χρησιμοποιούνται στην εικόνα Επισκόπηση και παραπέμπουν στους αριθμούς του υπομνήματος στην ενότητα Συνοπτική παρουσίαση προϊόντος . |
| | Αυτό το σύμβολο έχει σκοπό να επιστήσει ιδιαίτερα την προσοχή σας κατά την εργασία με το προϊόν. |

1.3 Σύμβολα ανάλογα με το προϊόν

1.3.1 Σύμβολα στο προϊόν

Στο προϊόν μπορεί να χρησιμοποιούνται τα ακόλουθα σύμβολα:

| | |
|--------|---|
| | Γενικό σύμβολο υποχρέωσης |
| | Χρησιμοποιήστε προστατευτικά γυαλιά |
| | Χρησιμοποιήστε ωτοασπίδες |
| | Χρησιμοποιήστε προστατευτικό κράνος |
| | Το προϊόν υποστηρίζει τεχνολογία NFC, που είναι συμβατή με πλατφόρμες iOS και Android. |
| Li-Ion | Επαναφορτιζόμενη μπαταρία Li-Ion |
| | Μην χρησιμοποιείτε την επαναφορτιζόμενη μπαταρία ποτέ ως κρουστικό εργαλείο. |
| | Μην αφήνετε την επαναφορτιζόμενη μπαταρία να πέσει κάτω. Μην χρησιμοποιείτε μια επαναφορτιζόμενη μπαταρία, η οποία έχει δεχτεί χτύπημα ή έχει υποστεί ζημιά με διαφορετικό τρόπο. |

1.4 Πληροφορίες προϊόντος

Τα προϊόντα της προορίζονται για τον επαγγελματία χρήστη και ο χειρισμός, η συντήρηση και η επισκευή τους επιτρέπεται μόνο από εξουσιοδοτημένο, ενημερωμένο προσωπικό. Το προσωπικό αυτό πρέπει να έχει ενημερωθεί ειδικά για τους κινδύνους που ενδέχεται να παρουσιαστούν. Από το προϊόν και τα βοηθητικά του μέσα ενδέχεται να προκληθούν κίνδυνοι, όταν ο χειρισμός τους γίνεται με ακατάλληλο τρόπο από μη εκπαιδευμένο προσωπικό ή όταν δεν χρησιμοποιούνται με κατάλληλο τρόπο.

Η περιγραφή τύπου και ο αριθμός σειράς αναγράφονται στην πινακίδα τύπου.

- ▶ Αντιγράψτε τον αριθμό σειράς στον ακόλουθο πίνακα. Θα χρειαστείτε τα στοιχεία προϊόντος για ερωτήματα προς την αντιπροσωπεία μας ή το σέρβις μας.

Στοιχεία προϊόντος

| | |
|------------|----------------------------------|
| Καρφωτικό | BX 3-22 BX 3-L-22 BX 3-ME-22 |
| Γενιά | 03 |
| Αρ. σειράς | |

1.5 Δήλωση συμμόρφωσης

Ο κατασκευαστής δηλώνει ως μόνος υπεύθυνος ότι το προϊόν που περιγράφεται εδώ ικανοποιεί την ισχύουσα νομοθεσία και τα ισχύοντα πρότυπα. Ένα αντίγραφο της δήλωσης συμμόρφωσης υπάρχει στο τέλος αυτής της τεκμηρίωσης.

Τα έγγραφα τεχνικής τεκμηρίωσης υπάρχουν εδώ:

Hilti Entwicklungsgesellschaft mbH | Zulassung Geräte | Hiltistraße 6 | 86916 Kaufering, DE



2 Ασφάλεια

2.1 Γενικές υποδείξεις για την ασφάλεια για ηλεκτρικά εργαλεία

⚠ ΠΡΟΕΙΔΟΠΟΙΗΣΗ Διαβάστε όλες τις υποδείξεις ασφαλείας, τις οδηγίες, τις εικόνες και τα τεχνικά χαρακτηριστικά τα οποία υπάρχουν σε αυτό το ηλεκτρικό εργαλείο. Η παράβλεψη των ακόλουθων οδηγιών μπορεί να προκαλέσει ηλεκτροπληξία, πυρκαγιά και/ή σοβαρούς τραυματισμούς.

Φυλάξτε όλες τις υποδείξεις για την ασφάλεια και τις οδηγίες για μελλοντική χρήση.

Ο όρος "ηλεκτρικό εργαλείο" που χρησιμοποιείται στις υποδείξεις για την ασφάλεια αναφέρεται σε ηλεκτρικά εργαλεία που λειτουργούν συνδεδεμένα στο ηλεκτρικό δίκτυο (με καλώδιο τροφοδοσίας) και σε ηλεκτρικά εργαλεία που λειτουργούν με επαναφορτιζόμενες μπαταρίες (χωρίς καλώδιο τροφοδοσίας).

Ασφάλεια χώρου εργασίας

- ▶ Διατηρείτε το χώρο εργασίας σας καθαρό και με καλό φωτισμό. Η αταξία στο χώρο εργασίας και οι μη φωτισμένες περιοχές μπορεί να οδηγήσουν σε ατυχήματα.
- ▶ Μην εργάζεστε με το ηλεκτρικό εργαλείο σε περιβάλλον επικίνδυνο για εκρήξεις, στο οποίο υπάρχουν εύφλεκτα υγρά, αέρια ή σκόνη. Από τα ηλεκτρικά εργαλεία δημιουργούνται σπινθήρες, οι οποίοι μπορεί να αναφλέξουν τη σκόνη ή τις αναθυμιάσεις.
- ▶ Κατά τη χρήση του ηλεκτρικού εργαλείου κρατάτε μακριά τα παιδιά και άλλα πρόσωπα. Εάν σας αποσπάσουν την προσοχή, μπορεί να χάσετε τον έλεγχο του εργαλείου.

Ηλεκτρική ασφάλεια

- ▶ Το φως σύνδεσης του ηλεκτρικού εργαλείου πρέπει να ταιριάζει στην πρίζα. Δεν επιτρέπεται σε καμία περίπτωση η μετατροπή του φως. Μην χρησιμοποιείτε αντάπτορες φως μαζί με γειωμένα ηλεκτρικά εργαλεία. Τα φως που δεν έχουν υποστεί μετατροπές και οι κατάλληλες πρίζες μειώνουν τον κίνδυνο ηλεκτροπληξίας.
- ▶ Αποφεύγετε την επαφή του σώματος με γειωμένες επιφάνειες, όπως σωλήνες, καλοριφέρ, ηλεκτρικές κουζίνες και ψυγεία. Υπάρχει αυξημένος κίνδυνος ηλεκτροπληξίας, όταν το σώμα σας είναι γειωμένο.
- ▶ Μην εκθέτετε τα ηλεκτρικά εργαλεία σε βροχή ή σε υγρασία. Η εισχώρηση νερού στο ηλεκτρικό εργαλείο αυξάνει τον κίνδυνο ηλεκτροπληξίας.
- ▶ Μην χρησιμοποιείτε το καλώδιο σύνδεσης για να μεταφέρετε ή να αναρτήσετε το ηλεκτρικό εργαλείο ή για να τραβήξετε το φως από την πρίζα. Κρατάτε το καλώδιο σύνδεσης μακριά από υψηλές θερμοκρασίες, λάδια, αιχμηρές ακμές ή κινούμενα μέρη. Τα ελαττωματικά ή τα περιστραμμένα καλώδια σύνδεσης αυξάνουν τον κίνδυνο ηλεκτροπληξίας.
- ▶ Όταν εργάζεστε με το ηλεκτρικό εργαλείο σε υπαίθριους χώρους, χρησιμοποιείτε μόνο καλώδια προέκτασης (μπαλαντέζες), που είναι κατάλληλα για χρήση σε εξωτερικούς χώρους. Η χρήση ενός καλωδίου προέκτασης κατάλληλου για χρήση σε υπαίθριους χώρους μειώνει τον κίνδυνο ηλεκτροπληξίας.
- ▶ Εάν δεν μπορεί να αποφευχθεί η λειτουργία του ηλεκτρικού εργαλείου σε περιβάλλον με υγρασία, χρησιμοποιήστε αυτόματο ρελέ. Η χρήση ενός αυτόματου ρελέ μειώνει τον κίνδυνο ηλεκτροπληξίας.

Ασφάλεια προσώπων

- ▶ Να είσαστε πάντα προσεκτικοί, να προσέχετε τι κάνετε και να εργάζεστε με το ηλεκτρικό εργαλείο με περίσκεψη. Μην χρησιμοποιείτε ηλεκτρικά εργαλεία, όταν είστε κουρασμένοι ή όταν βρίσκεστε υπό την επήρεια ναρκωτικών ουσιών, οινοπνεύματος ή φαρμάκων. Μία στιγμή απροσεξίας κατά τη χρήση του ηλεκτρικού εργαλείου μπορεί να οδηγήσει σε σοβαρούς τραυματισμούς.
- ▶ Φοράτε προσωπικό εξοπλισμό προστασίας και πάντα προστατευτικά γυαλιά. Φορώντας προσωπικό εξοπλισμό προστασίας, όπως μάσκα προστασίας από τη σκόνη, αντιολισθητικά υποδήματα ασφαλείας, προστατευτικό κράνος ή ωτοασπίδες, ανάλογα με το είδος και τη χρήση του ηλεκτρικού εργαλείου, μειώνεται ο κίνδυνος τραυματισμών.
- ▶ Αποφεύγετε την ακούσια θέση σε λειτουργία του εργαλείου. Βεβαιωθείτε ότι είναι απενεργοποιημένο το ηλεκτρικό εργαλείο, πριν το συνδέσετε στην παροχή ρεύματος και/ή πριν τοποθετήσετε την μπαταρία και πριν το μεταφέρετε. Εάν μεταφέροντας το ηλεκτρικό εργαλείο έχετε το δάκτυλό σας στον διακόπτη ή συνδέσετε το εργαλείο στο ρεύμα ενώ ο διακόπτης είναι στο ON, μπορεί να προκληθούν ατυχήματα.
- ▶ Απομακρύνετε τα εργαλεία ρύθμισης ή τα κλειδιά από το ηλεκτρικό εργαλείο, πριν το θέσετε σε λειτουργία. Ένα εργαλείο ή κλειδί που βρίσκεται σε κάποιο περιστρεφόμενο εξάρτημα του ηλεκτρικού εργαλείου, μπορεί να προκαλέσει τραυματισμούς.
- ▶ Αποφύγετε τις αφύσικες στάσεις του σώματος. Φροντίστε για την ασφαλή στήριξη του σώματός σας και διατηρείτε πάντα την ισορροπία σας. Έτσι μπορείτε να ελέγχετε καλύτερα το ηλεκτρικό εργαλείο σε μη αναμενόμενες καταστάσεις.



- ▶ **Φοράτε κατάλληλα ρούχα. Μη φοράτε φαρδιά ρούχα ή κοσμήματα. Κρατάτε τα μαλλιά, τα ρούχα και τα γάντια μακριά από περιστρεφόμενα εξαρτήματα.** Τα φαρδιά ρούχα, τα κοσμήματα ή τα μακριά μαλλιά μπορεί να παγιδευτούν από περιστρεφόμενα εξαρτήματα.
- ▶ **Εάν υπάρχει η δυνατότητα σύνδεσης συστημάτων αναρρόφησης και συλλογής σκόνης, βεβαιωθείτε ότι είναι συνδεδεμένα και ότι χρησιμοποιούνται σωστά.** Η χρήση συστήματος αναρρόφησης σκόνης μπορεί να μειώσει τους κινδύνους που προέρχονται από τη σκόνη.
- ▶ **Μην εκτιμάτε λάθος την ασφάλεια και μην παραβλέπετε τους κανόνες ασφαλείας για ηλεκτρικά εργαλεία, ακόμη και όταν, μετά από πολλές χρήσεις, έχετε εξοικειωθεί με το ηλεκτρικό εργαλείο.** Από απρόσεκτες ενέργειες μπορούν να προκληθούν σοβαροί τραυματισμοί εντός κλάσματος δευτερολέπτου.

Χρήση και αντιμετώπιση του ηλεκτρικού εργαλείου

- ▶ **Μην υπερφορτίζετε το εργαλείο. Χρησιμοποιείτε για την εργασία σας το ηλεκτρικό εργαλείο που προορίζεται για αυτήν.** Με το κατάλληλο ηλεκτρικό εργαλείο εργάζεστε καλύτερα και με μεγαλύτερη ασφάλεια στην αναφερόμενη περιοχή ισχύος.
- ▶ **Μην χρησιμοποιείτε ποτέ ένα ηλεκτρικό εργαλείο, ο διακόπτης του οποίου είναι χαλασμένος.** Ένα ηλεκτρικό εργαλείο το οποίο δεν μπορεί να τεθεί πλέον σε λειτουργία ή εκτός λειτουργίας είναι επικίνδυνο και πρέπει να επισκευαστεί.
- ▶ **Αποσυνδέστε το φως από την πρίζα και/ή απομακρύνετε μια αποσπώμενη μπαταρία πριν διεξάγετε ρυθμίσεις στο εργαλείο, αντικαταστήσετε κάποιο αξεσουάρ ή αποθηκεύσετε το εργαλείο.** Αυτό το προληπτικό μέτρο ασφαλείας αποτρέπει την ακούσια εκκίνηση του ηλεκτρικού εργαλείου.
- ▶ **Φυλάτε τα ηλεκτρικά εργαλεία που δεν χρησιμοποιείτε μακριά από παιδιά. Μην αφήνετε να χρησιμοποιήσουν το εργαλείο άτομα που δεν είναι εξοικειωμένα με αυτό ή που δεν έχουν διαβάσει αυτές τις οδηγίες χρήσης.** Τα ηλεκτρικά εργαλεία είναι επικίνδυνα, όταν χρησιμοποιούνται από άπειρα πρόσωπα.
- ▶ **Φροντίζετε σχολαστικά τα ηλεκτρικά εργαλεία και τα αξεσουάρ. Ελέγχετε, εάν τα κινούμενα μέρη λειτουργούν άψογα και δεν μπλοκάρουν, εάν έχουν σπάσει κάποια εξαρτήματα ή έχουν υποστεί τέτοια ζημιά ώστε να επηρεάζεται αρνητικά η λειτουργία του ηλεκτρικού εργαλείου. Δώστε τα χαλασμένα εξαρτήματα για επισκευή πριν χρησιμοποιήσετε ξανά το εργαλείο.** Πολλά ατυχήματα οφείλονται σε κακά συντηρημένα ηλεκτρικά εργαλεία.
- ▶ **Διατηρείτε τα εξαρτήματα κοπής αιχμηρά και καθαρά.** Τα σχολαστικά συντηρημένα εξαρτήματα κοπής με αιχμηρές ακμές κολλάνε σπανιότερα και καθοδηγούνται με μεγαλύτερη ευκολία.
- ▶ **Χρησιμοποιείτε το ηλεκτρικό εργαλείο, τα αξεσουάρ, τα εργαλεία ρύθμισης κτλ. σύμφωνα με τις παρούσες οδηγίες. Λαμβάνετε ταυτόχρονα υπόψη τις συνθήκες εργασίας και την προς εκτέλεση εργασία.** Η χρήση ηλεκτρικών εργαλείων για εργασίες διαφορετικές από τις προβλεπόμενες μπορεί να οδηγήσει σε επικίνδυνες καταστάσεις.
- ▶ **Διατηρείτε τις λαβές και επιφάνειες συγκράτησης στεγνές, καθαρές και απαλλαγμένες από λάδια και γράσα.** Οι ολισθηρές λαβές και επιφάνειες συγκράτησης δεν επιτρέπουν ασφαλή χειρισμό και έλεγχο του ηλεκτρικού εργαλείου σε απρόβλεπτες καταστάσεις.

Χρήση και αντιμετώπιση του επαναφορτιζόμενου εργαλείου

- ▶ **Φορτίζετε τις μπαταρίες μόνο με φορτιστές που προτείνονται από τον κατασκευαστή.** Υπάρχει κίνδυνος πυρκαγιάς σε φορτιστές που είναι κατάλληλοι για ένα συγκεκριμένο είδος μπαταριών, όταν χρησιμοποιούνται με άλλες μπαταρίες.
- ▶ **Χρησιμοποιείτε μόνο τις προβλεπόμενες για τα ηλεκτρικά εργαλεία επαναφορτιζόμενες μπαταρίες.** Η χρήση άλλων μπαταριών μπορεί να προκαλέσει τραυματισμούς και κίνδυνο πυρκαγιάς.
- ▶ **Κρατήστε τις μπαταρίες που δεν χρησιμοποιείτε μακριά από συνδετήρες, κέρματα, κλειδιά, καρφιά, βίδες και άλλα μεταλλικά μικροαντικείμενα, που θα μπορούσαν να προκαλέσουν γεφύρωση των επαφών.** Ένα βραχυκύκλωμα μεταξύ των επαφών της μπαταρίας μπορεί να έχει ως συνέπεια εγκαύματα ή πυρκαγιά.
- ▶ **Σε περίπτωση λανθασμένης χρήσης μπορούν να διαρρεύσουν υγρά από την μπαταρία. Αποφεύγετε κάθε είδους επαφή. Σε περίπτωση ακούσιας επαφής, ξεπλύνετε με νερό. Εάν τα υγρά έρθουν σε επαφή με τα μάτια σας, επισκεφθείτε επιπρόσθετα ένα γιατρό.** Τα υγρά της μπαταρίας ενδέχεται να προκαλέσουν ερεθισμούς ή εγκαύματα στο δέρμα.
- ▶ **Μην χρησιμοποιείτε μπαταρίες που έχουν υποστεί ζημιά ή έχουν υποστεί μετατροπές.** Οι μπαταρίες που έχουν υποστεί ζημιά ή μετατροπές μπορεί να συμπεριφερθούν απρόβλεπτα και να προκαλέσουν φωτιά, έκρηξη ή κίνδυνο τραυματισμού.
- ▶ **Μην εκθέτετε την μπαταρία σε φωτιά ή σε πολύ υψηλές θερμοκρασίες.** Η φωτιά ή οι θερμοκρασίες άνω των 130 °C (265 °F) μπορεί να προκαλέσει έκρηξη.
- ▶ **Ακολουθήστε όλες τις οδηγίες για τη φόρτιση και μην φορτίζετε την μπαταρία ή το επαναφορτιζόμενο εργαλείο ποτέ εκτός του εύρους θερμοκρασιών που αναφέρεται στο παρόν εγχειρίδιο**



οδηγιών χρήσης. Η λανθασμένη φόρτιση ή η φόρτιση εκτός του επιτρεπόμενου εύρους θερμοκρασίας μπορεί να καταστρέψει την μπαταρία και να αυξήσει τον κίνδυνο πυρκαγιάς.

Σέρβις

- ▶ **Αναθέτετε την επισκευή του ηλεκτρικού εργαλείου μόνο σε κατάλληλο εξειδικευμένο προσωπικό με χρήση μόνο γνήσιων ανταλλακτικών.** Με αυτόν τον τρόπο διασφαλίζεται ότι θα διατηρηθεί η ασφάλεια του εργαλείου.
- ▶ **Μην συντηρείτε ποτέ μπαταρίες που έχουν υποστεί ζημιά.** Κάθε συντήρηση μπαταριών θα πρέπει να πραγματοποιείται μόνο από τον κατασκευαστή ή από εξουσιοδοτημένα σέρβις.

2.2 Υποδείξεις ασφαλείας για καρφωτικά

- ▶ **Θεωρείτε πάντα ότι το ηλεκτρικό εργαλείο περιέχει καρφιά.** Η απρόσεκτη μεταχείριση του καρφωτικού μπορεί να προκαλέσει μη αναμενόμενη εκτόξευση καρφιών και να τραυματιστείτε.
- ▶ **Μην σημαδεύετε με το ηλεκτρικό εργαλείο εσάς ή άλλα πρόσωπα που βρίσκονται κοντά.** Από απροσδόκητη ενεργοποίηση εξέρχεται ένα καρφί, το οποίο μπορεί να προκαλέσει τραυματισμούς.
- ▶ **Μην ενεργοποιείτε το ηλεκτρικό εργαλείο, πριν το τοποθετήσετε καλά πάνω στο αντικείμενο.** Εάν το ηλεκτρικό εργαλείο δεν έχει επαφή με το αντικείμενο, μπορεί να εξοστρακιστεί το καρφί από το σημείο στερέωσης.
- ▶ **Αποσυνδέστε το ηλεκτρικό εργαλείο από το ηλεκτρικό δίκτυο ή από την μπαταρία, εάν το καρφί έχει κολλήσει μέσα στο ηλεκτρικό εργαλείο.** Όταν το καρφωτικό είναι συνδεδεμένο, μπορεί να ενεργοποιηθεί κατά λάθος κατά την αφαίρεση του κολλημένου καρφιού.
- ▶ **Προσοχή κατά την αφαίρεση ενός κολλημένου καρφιού.** Το σύστημα μπορεί να είναι οπλισμένο και το καρφί να εκτοξευθεί με δύναμη, όσο προσπαθείτε να το ελευθερώσετε.
- ▶ **Βεβαιωθείτε κατά τη στερέωση ηλεκτρικών αγωγών, ότι από τους αγωγούς δεν διέρχεται ηλεκτρική τάση.** Πιάνετε το καρφωτικό μόνο από τις μονωμένες επιφάνειες συγκράτησης. Χρησιμοποιείτε μόνο καρφιά τέτοια, που είναι κατάλληλα για την εγκατάσταση ηλεκτρικών αγωγών. Ελέγξτε ότι το καρφί δεν έχει προκαλέσει ζημιά στη μόνωση του ηλεκτρικού αγωγού. Από ένα καρφί, που έχει προκαλέσει ζημιά στη μόνωση ηλεκτρικών αγωγών, μπορεί να προκληθεί ηλεκτροπληξία και κίνδυνος για φωτιά.

2.3 Υποδείξεις για την ασφάλεια

Απαιτήσεις από τον χρήστη

- ▶ Επιτρέπεται να χειρίζεστε ή να συντηρείτε αυτό το προϊόν μόνο, εφόσον έχετε εξουσιοδοτηθεί και ενημερωθεί για αυτό.

Προσωπικός εξοπλισμός προστασίας

- ▶ Εσείς και τα πρόσωπα που βρίσκονται κοντά κατά τη χρήση πρέπει να φοράτε κατάλληλα προστατευτικά γυαλιά, ωτοασπίδες και προστατευτικό κράνος.

Ασφάλεια προσώπων

- ▶ Προσέξτε όσα αναφέρονται στις οδηγίες χρήσης για τη λειτουργία, τη φροντίδα και τη συντήρηση.
- ▶ Να είσαστε πάντα προσεκτικοί, να προσέχετε τι κάνετε και να εργάζεστε με περίσκεψη με ένα καρφωτικό. Μην χρησιμοποιείτε το προϊόν όταν είστε κουρασμένοι ή όταν βρίσκεστε υπό την επήρεια ναρκωτικών ουσιών, οινοπνεύματος ή φαρμάκων. Διακόψτε την εργασία σε περίπτωση πόνων ή αδιαθεσίας. Μία στιγμή απροσεξίας κατά τη χρήση του καρφωτικού μπορεί να οδηγήσει σε σοβαρούς τραυματισμούς.
- ▶ Αποφεύγετε να παίρνετε με το σώμα σας δυσμενείς στάσεις. Φροντίστε να έχετε καλή ευστάθεια και διατηρείτε πάντα την ισορροπία σας.
- ▶ Φοράτε αντολισθητικά υποδήματα.
- ▶ Μην τραβάτε ποτέ με το χέρι τον οδηγό καρφιών ή τα εξαρτήματα στερέωσης.
 - ▶ Τραβώντας πίσω τον οδηγό καρφιών ή το εξάρτημα στερέωσης με το χέρι, μπορεί υπό ορισμένες συνθήκες να θέσει σε ετοιμότητα το προϊόν. Η ετοιμότητα λειτουργίας επιτρέπει την τοποθέτηση καρφιών και σε μέρη του σώματος.
- ▶ Κατά τον χειρισμό του προϊόντος έχετε τα χέρια σας λυγισμένα (όχι τεντωμένα).
- ▶ Κρατάτε άλλα πρόσωπα, ιδίως παιδιά, μακριά από το χώρο εργασίας.
- ▶ Κίνδυνος τραυματισμού από πτώση εξαρτημάτων ή/και αξεσουάρ. Ελέγχετε πριν από την έναρξη της εργασίας, ότι η επαναφορτιζόμενη μπαταρία και τα τοποθετημένα αξεσουάρ είναι στερεωμένα με ασφάλεια.
- ▶ Διατηρείτε πάντα ελεύθερες τις σχισμές αερισμού. Κίνδυνος εγκαύματος από καλυμμένες σχισμές αερισμού!



- ▶ Μην κοιτάτε κατευθείαν στον φωτισμό (LED) και μην φωτίζετε το πρόσωπο άλλων. Υπάρχει κίνδυνος θάμβωσης.

Επιμελής χειρισμός και χρήση καρφωτικών

- ▶ Κίνδυνος από εξαρτήματα στερέωσης που διαπερνούν το δομικό στοιχείο! Βεβαιωθείτε πριν από την τοποθέτηση εξαρτημάτων στερέωσης, ότι δεν βρίσκεται κανείς πίσω ή κάτω από το δομικό στοιχείο, στο οποίο τοποθετείται το εξάρτημα στερέωσης.
- ▶ Χρησιμοποιήστε το σωστό προϊόν για την εργασία σας. Μην χρησιμοποιείτε το προϊόν για σκοπούς, για τους οποίους δεν προορίζεται, αλλά μόνο σύμφωνα με τους κανονισμούς και όταν βρίσκεται σε άψογη κατάσταση.
- ▶ Ποτέ μην αφήνετε χωρίς επίβλεψη ένα γεμάτο προϊόν.
- ▶ Αδειάζετε το προϊόν πάντα πριν από εργασίες καθαρισμού, σέρβις και συντήρησης, πριν από την αντικατάσταση του οδηγού καρφιών, πριν από διαλείμματα από την εργασία καθώς και για αποθήκευση (εξάρτημα στερέωσης).
- ▶ Αποθηκεύετε τα προϊόντα που δεν χρησιμοποιούνται άδεια σε στεγνό και κλειδωμένο χώρο, μη προσβάσιμο σε παιδιά.
- ▶ Ελέγξτε για τυχόν ζημιές το προϊόν και τα αξεσουάρ. Ελέγξτε εάν λειτουργούν σωστά και δεν κολλούν τα κινούμενα μέρη ή εάν υπάρχουν εξαρτήματα που έχουν υποστεί ζημιά.
 - ▶ Όλα τα εξαρτήματα πρέπει να είναι σωστά τοποθετημένα και να πληρούν όλες τις απαιτήσεις ώστε να διασφαλίζεται η απρόσκοπτη λειτουργία του προϊόντος. Τα εξαρτήματα που έχουν υποστεί ζημιά πρέπει να επισκευάζονται ή να αντικαθίστανται με κατάλληλο τρόπο από το σέρβις της **Hilti** εφόσον δεν αναφέρεται κάτι διαφορετικό στις οδηγίες χρήσης.
- ▶ Ελέγξτε την περιοχή εργασίας πριν από την έναρξη της εργασίας για καλυμμένα ηλεκτρικά καλώδια, σωλήνες αερίου και ύδρευσης. Από εξωτερικά μεταλλικά μέρη στο προϊόν μπορεί να προκληθεί ηλεκτροπληξία, ή έκρηξη, εάν κατά λάθος προκαλέσετε ζημιά σε ηλεκτρικό καλώδιο, σε σωλήνα αερίου ή σωλήνα νερού.
- ▶ Μην τοποθετείτε εξαρτήματα στερέωσης σε υποστρώματα, που είναι ακατάλληλα.
 - ▶ Ακατάλληλα υλικά είναι συγκολλημένος χάλυβας και χυτοχάλυβας, χυτοσίδηρος, γυαλί, μάρμαρα, πλαστικά, μπρούτζος, ορείχαλκος, χαλκός, μονωτικά υλικά, κούφια κεραμίδια, κεραμίδια, λεπτές λαμαρίνες (< 4 mm) και αφροπετόν. Η τοποθέτηση σε αυτά τα υλικά μπορεί να προκαλέσει θραύση του εξαρτήματος, εκτίναξη θραυσμάτων ή διαμετρική διέλευση του καρφιού.
- ▶ Ενεργοποιείτε τη σκανδάλη μόνο όταν το προϊόν πιέζεται πλήρως κάθετα πάνω στο υπόστρωμα.
- ▶ Κρατάτε το προϊόν κατά την τοποθέτηση πάντα υπό ορθή γωνία προς το υπόστρωμα, για να αποτρέπεται η εκτροπή του εξαρτήματος στερέωσης από το υλικό του υποστρώματος.
- ▶ Διατηρείτε τις χειρολαβές στεγνές, καθαρές και απαλλαγμένες από λιπαρές ουσίες και γράσα.
- ▶ Ποτέ μην αφήνετε το προϊόν να πέσει κάτω.
- ▶ Μην χρησιμοποιείτε τη δεσμίδα ως χειρολαβή.
- ▶ Μην χρησιμοποιείτε το προϊόν σε χώρους, όπου υπάρχει κίνδυνος πυρκαγιάς και εκρήξεων, εκτός εάν είναι εγκεκριμένο ειδικά για τέτοια χρήση.
- ▶ Μην τοποθετείτε καρφιά σε ήδη υπάρχουσες οπές, εκτός εάν προτείνεται από την **Hilti** (π.χ. DX-Kwik).

Μηχανικά μέτρα ασφαλείας

- ▶ Μην πραγματοποιείται μετατροπές ή/και τροποποιήσεις στο προϊόν ή στα αξεσουάρ, ιδίως στο έμβολο.
- ▶ Χρησιμοποιείτε μόνο εξαρτήματα στερέωσης, τα οποία προορίζονται και είναι εγκεκριμένα για το προϊόν.

Θερμικά μέτρα ασφαλείας


- ▶ Μην υπερβείτε την προτεινόμενη μέγιστη συχνότητα τοποθέτησης.
- ▶ Αφήστε το προϊόν να κρυώσει, εάν έχει υπερθερμανθεί.
- ▶ Μην αποσυναρμολογείτε το προϊόν, όταν είναι ακόμη ζεστό. Αφήστε το προϊόν να κρυώσει.

2.4 Επιμελής χειρισμός και χρήση επαναφορτιζόμενων μπαταριών

- ▶ **Προσέξτε τις ακόλουθες υποδείξεις ασφαλείας για τον ασφαλή χειρισμό και τη χρήση επαναφορτιζόμενων μπαταριών Li-Ion.** Από τυχόν παράβλεψη μπορεί να προκληθούν δερματικοί ερεθισμοί, σοβαροί διαβρωτικοί τραυματισμοί, χημικά εγκαύματα, φωτιά ή/και εκρήξεις.
- ▶ Χρησιμοποιείτε επαναφορτιζόμενες μπαταρίες μόνο σε τεχνικά άψογη κατάσταση.
- ▶ Χειρίζετε σχολαστικά τις επαναφορτιζόμενες μπαταρίες, για να αποφύγετε ζημιές και την έξοδο υγρών πολύ επιβλαβών για την υγεία σας!
- ▶ Δεν επιτρέπεται σε καμία περίπτωση η μετατροπή ή η παραποίηση των επαναφορτιζόμενων μπαταριών!
- ▶ Δεν επιτρέπεται να αποσυναρμολογείτε, να συμπιέζετε, να θερμαίνετε πάνω από τους 80°C (176°F) ή να καίτε τις επαναφορτιζόμενες μπαταρίες.



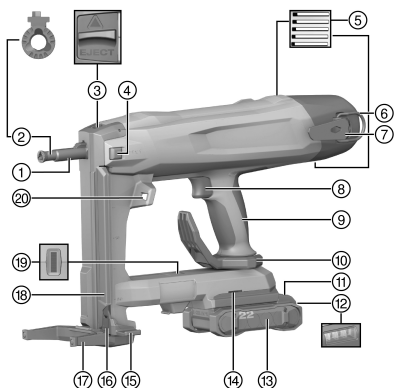
- ▶ Μην χρησιμοποιείτε ή φορτίζετε επαναφορτιζόμενες μπαταρίες, οι οποίες έχουν δεχτεί χτύπημα ή έχουν υποστεί ζημιά με διαφορετικό τρόπο. Ελέγχετε τακτικά τις επαναφορτιζόμενες μπαταρίες για σημάδια ζημιάς.
- ▶ Μην χρησιμοποιείτε ποτέ ανακυκλωμένες ή επισκευασμένες επαναφορτιζόμενες μπαταρίες.
- ▶ Μην χρησιμοποιείτε την επαναφορτιζόμενη μπαταρία ή ένα επαναφορτιζόμενο ηλεκτρικό εργαλείο ποτέ ως κρουστικό εργαλείο.
- ▶ Μην εκθέτετε ποτέ τις επαναφορτιζόμενες μπαταρίες σε άμεση ηλιακή ακτινοβολία, αυξημένη θερμοκρασία, σπινθήρες ή γυμνές φλόγες. Μπορεί να προκληθούν εκρήξεις.
- ▶ Μην ακουμπάτε τους πόλους της μπαταρίας με τα δάχτυλα, με εργαλεία, κοσμήματα ή άλλα ηλεκτρικά αγωγίμα αντικείμενα. Έτσι μπορεί να προκληθεί ζημιά στην επαναφορτιζόμενη μπαταρία, καθώς και υλικές ζημιές και τραυματισμοί.
- ▶ Κρατάτε τις επαναφορτιζόμενες μπαταρίες μακριά από βροχή, υγρασία και υγρά. Η εισχώρηση υγρασίας μπορεί να προκαλέσει βραχυκυκλώματα, ηλεκτροπληξία, εγκαύματα, φωτιά και εκρήξεις.
- ▶ Χρησιμοποιείτε μόνο τους φορτιστές και τα ηλεκτρικά εργαλεία που προβλέπονται για αυτόν τον τύπο μπαταρίας. Προσέξτε σχετικά τα στοιχεία στις αντίστοιχες οδηγίες χρήσης.
- ▶ Μην χρησιμοποιείτε ή αποθηκεύετε την επαναφορτιζόμενη μπαταρία σε εκρήξιμα περιβάλλοντα.
- ▶ Εάν η μπαταρία καίει υπερβολικά όταν την ακουμπάτε, ενδέχεται να έχει υποστεί ζημιά. Τοποθετήστε την μπαταρία σε ένα σημείο στο οποίο έχετε ορατότητα, μη εύφλεκτο και με επαρκή απόσταση από εύφλεκτα υλικά. Αφήστε την επαναφορτιζόμενη μπαταρία να κρυώσει. Εάν η μπαταρία εξακολουθεί να καίει υπερβολικά μετά από μία ώρα όταν την ακουμπάτε, τότε έχει υποστεί ζημιά. Απευθυνθείτε στο σέρβις της **Hilti** ή διαβάστε το έγγραφο "Υποδείξεις για την ασφάλεια και τη χρήση για επαναφορτιζόμενες μπαταρίες Li-Ion **Hilti**".

 Προσέξτε τις ειδικές οδηγίες που ισχύουν για τη μεταφορά, την αποθήκευση και τη χρήση επαναφορτιζόμενων μπαταριών ιόντων λιθίου.

Διαβάστε τις υποδείξεις για την ασφάλεια και τη χρήση για επαναφορτιζόμενες μπαταρίες Li-Ion **Hilti**, τις οποίες θα βρείτε σαρώνοντας τον κωδικό QR στο τέλος αυτών των οδηγιών χρήσης.

3 Περιγραφή

3.1 Συνοπτική παρουσίαση προϊόντος



- ① Μύτη εργαλείου
- ② Οδηγός καρφιών
- ③ Μηχανισμός ασφάλισης οδηγού καρφιών
- ④ Διακόπτης μονού καρφιού (BX 3-ME-22)
- ⑤ Σχισμές αερισμού
- ⑥ Κρίκος για κορδόνι συγκράτησης εργαλείων
- ⑦ Άγκιστρο ζώνης
- ⑧ Κομπι ασφαλείας
- ⑨ Χειρολαβή
- ⑩ Άγκιστρο ζώνης/άγκιστρο ικρίωματος
- ⑪ Πλήκτρο απασφάλισης επαναφορτιζόμενης μπαταρίας
- ⑫ Ένδειξη κατάστασης μπαταρίας
- ⑬ Επαναφορτιζόμενη μπαταρία Li-Ion
- ⑭ Άνοιγμα τοποθέτησης για αξεσουάρ
- ⑮ Σύρτης καρφιών
- ⑯ Απασφάλιση σύρτη καρφιών
- ⑰ Στήριγμα
- ⑱ Δεσμίδα
- ⑲ Ένδειξη κατάστασης καρφωτικού
- ⑳ Φωτισμός χώρου εργασίας

3.1.1 Εξοπλισμός

Ο οδηγός καρφιών και το στήριγμα εξαρτώνται από το προϊόν. Στον ακόλουθο πίνακα εικονίζεται το στήριγμα και ο οδηγός καρφιών, με τα οποία είναι εξοπλισμένο το προϊόν.



| Προϊόν | BX 3-22 | BX 3-L-22 | BX 3-ME-22 |
|----------------|---------------|---------------|---------------|
| Οδηγός καρφιών | X-FG B3 IF 02 | X-FG B3 IF 02 | X-FG B3 ME |
| Στήριγμα | X-SL B3 03 | X-SL B3 03 | X-SL B3 ME 03 |

3.2 Κατάλληλη χρήση

Το προϊόν είναι ένα καθοδηγούμενο με το χέρι επαναφορτιζόμενο καρφωτικό. Προορίζεται για την τοποθέτηση ειδικά κατασκευασμένων εξαρτημάτων στερέωσης σε μπετόν, χάλυβα, τοιχοποιίες, ασβεστόλιθο και άλλα υπόστρωματά κατάλληλα για απευθείας τοποθέτηση. Το προϊόν προορίζεται επίσης για τη στερέωση ηλεκτρικών αγωγών με κλιπ, εφόσον για τον σκοπό αυτό χρησιμοποιούνται κατάλληλα εξαρτήματα στερέωσης. Χρησιμοποιείτε μόνο εγκεκριμένα εξαρτήματα στερέωσης σε συνδυασμό με τον κατάλληλο για αυτά οδηγό καρφιών (βλέπε κεφάλαιο "Τεχνικά χαρακτηριστικά").

Το καρφωτικό, η επαναφορτιζόμενη μπαταρία και τα εξαρτήματα στερέωσης αποτελούν ένα ενιαίο τεχνικό σύνολο. Αυτό σημαίνει, ότι η απροβλεπτή στερέωση με αυτό το καρφωτικό μπορεί να διασφαλιστεί μόνο εφόσον χρησιμοποιούνται τα ειδικά για τον σκοπό αυτό κατασκευασμένα εξαρτήματα στερέωσης της **Hilti** και οι φορτιστές και οι επαναφορτιζόμενες μπαταρίες που προτείνονται από τη **Hilti**. Μόνο σε περίπτωση τήρησης αυτών των όρων ισχύουν οι αναφερόμενες από τη **Hilti** προτάσεις στερέωσης και εφαρμογής.

- ▶ Το καρφωτικό επιτρέπεται να καθοδηγείται μόνο με το χέρι.
- ▶ Πρέπει να αποκλείονται οι κακές χρήσεις. Ως κακή χρήση θεωρείται το κάρφωμα σε πολύ μαλακό υπόστρωμα (π.χ. ξύλο) και το κάρφωμα σε πολύ σκληρό υπόστρωμα (π.χ. σε χάλυβα υψηλής αντοχής ή πολύ σκληρές φυσικές πέτρες).
- Χρησιμοποιείτε για αυτό το προϊόν μόνο επαναφορτιζόμενες μπαταρίες Li-Ion **Hilti** Nuron της σειράς τύπου B 22. Για ιδανική απόδοση, η **Hilti** προτείνει για αυτό το προϊόν τις επαναφορτιζόμενες μπαταρίες που αναφέρονται στον πίνακα στο τέλος αυτών των οδηγιών χρήσης.
- Χρησιμοποιείτε για αυτές τις επαναφορτιζόμενες μπαταρίες μόνο φορτιστές **Hilti** των σειρών τύπου που αναφέρονται στον πίνακα στο τέλος αυτών των οδηγιών χρήσης.

3.3 Διατάξεις ασφαλείας

Στη λειτουργία με δεσμίδα το σύστημα ανίχνευσης καρφιών έχει σκοπό να αποτρέψει λανθασμένα κάρφωματα, τα οποία μπορεί να προκαλέσουν ζημιές στο καρφωτικό.

Η ασφάλεια πίεσης έχει σκοπό να αποτρέψει την ελεύθερη τοποθέτηση καρφιών. Το καρφωτικό μπορεί να πιεστεί και να ενεργοποιηθεί στη λειτουργία με δεσμίδα μόνο όταν υπάρχει καρφί.

3.4 Χαρακτηριστικά εξοπλισμού

Το καρφωτικό είναι εξοπλισμένο με μια εργονομική, αντιολισθητική και αντικραδασμική χειρολαβή, ένα άγκιστρο ζώνης και ικριώματος καθώς και με ένα στήριγμα. Το καρφωτικό προστατεύεται με μια ηλεκτρονική προστασία υπερφόρτισης από υπερφόρτιση και με μια επιτήρηση θερμοκρασίας από υπερθέρμανση.

3.5 Ένδειξη κατάστασης καρφωτικού

Η ένδειξη κατάστασης του καρφωτικού παρέχει πληροφορίες για καταστάσεις του καρφωτικού.

| Κατάσταση | Σημασία |
|---|--|
| Το LED είναι σβηστό | Το καρφωτικό είναι απενεργοποιημένο |
| Το LED ανάβει πράσινο. | Το καρφωτικό είναι ενεργοποιημένο και έτοιμο για τοποθέτηση |
| Το LED αναβοσβήνει πράσινο. | Πολύ υψηλή θερμοκρασία επαναφορτιζόμενης μπαταρίας ή πολύ αδύναμη μπαταρία |
| Το LED αναβοσβήνει κάθε 3 δευτερόλεπτα πράσινο. | Το καρφωτικό είναι σε λειτουργία αναμονής, το καρφωτικό ενεργοποιείται πιέζοντας τη μύτη του εργαλείου |
| Το LED ανάβει μπλε. | Το καρφωτικό είναι ενεργοποιημένο, πρέπει να τροφοδοτηθούν ξανά ταινίες καρφιών |
| Το LED αναβοσβήνει μπλε. | Το καρφωτικό είναι ενεργοποιημένο, η δεσμίδα είναι εντελώς άδεια |



| Κατάσταση | Σημασία |
|-----------------------------|--|
| Το LED αναβοσβήνει κίτρινο. | Το καρφωτικό καιεί υπερβολικά, βλέπε πίνακα βλαβών |
| Το LED αναβοσβήνει κόκκινο. | Βλάβη εργαλείου, βλέπε πίνακα βλαβών |
| Το LED ανάβει κόκκινο. | Βλάβη εργαλείου, βλέπε πίνακα βλαβών |

3.6 Ενδείξεις της επαναφορτιζόμενης μπαταρίας Li-Ion

Στις επαναφορτιζόμενες μπαταρίες Li-Ion **Hilti** Nuron υπάρχει η δυνατότητα προβολής της κατάστασης φόρτισης, μηνυμάτων σφάλματος και της κατάστασης της επαναφορτιζόμενης μπαταρίας.

3.6.1 Ενδείξεις για κατάσταση φόρτισης και μηνύματα σφάλματος

ΠΡΟΕΙΔΟΠΟΙΗΣΗ

Κίνδυνος τραυματισμού από πτώση της μπαταρίας!

- ▶ Όταν είναι τοποθετημένη η επαναφορτιζόμενη μπαταρία, βεβαιωθείτε αφού πατήσετε το πλήκτρο απασφάλισης, ότι θα κομπώσετε ξανά καλά την επαναφορτιζόμενη μπαταρία στο προϊόν που χρησιμοποιείτε.

Για να δείτε κάποια από τις ακόλουθες ενδείξεις, πατήστε σύντομα το πλήκτρο απασφάλισης της επαναφορτιζόμενης μπαταρίας.

Η κατάσταση φόρτισης καθώς και οι πιθανές βλάβες εμφανίζονται επίσης μόνιμα, όσο είναι ενεργοποιημένο το συνδεδεμένο προϊόν.

| Κατάσταση | Σημασία |
|---|--|
| Τέσσερα (4) LED ανάβουν μόνιμα πράσινα | Κατάσταση φόρτισης: 100 % έως 71 % |
| Τρία (3) LED ανάβουν μόνιμα πράσινα | Κατάσταση φόρτισης: 70 % έως 51 % |
| Δύο (2) LED ανάβουν μόνιμα πράσινα | Κατάσταση φόρτισης: 50 % έως 26 % |
| Ένα (1) LED ανάβει μόνιμα πράσινο | Κατάσταση φόρτισης: 25 % έως 10 % |
| Ένα (1) LED αναβοσβήνει αργά πράσινο | Κατάσταση φόρτισης: < 10 % |
| Ένα (1) LED αναβοσβήνει γρήγορα πράσινο | Η επαναφορτιζόμενη μπαταρία Li-Ion είναι τελείως αποφορτισμένη. Φορτίστε την επαναφορτιζόμενη μπαταρία. Εάν το LED εξακολουθεί να αναβοσβήνει γρήγορα μετά τη φόρτιση της επαναφορτιζόμενης μπαταρίας, απευθυνθείτε στο σέρβις της Hilti . |
| Ένα (1) LED αναβοσβήνει γρήγορα κίτρινο | Η επαναφορτιζόμενη μπαταρία Li-Ion ή το συνδεδεμένο με αυτή προϊόν έχουν υπερφορτωθεί, έχουν πολύ υψηλή ή πολύ χαμηλή θερμοκρασία ή υπάρχει κάποια άλλη βλάβη. Φέρτε το προϊόν και την επαναφορτιζόμενη μπαταρία στην προτεινόμενη θερμοκρασία λειτουργίας και μην υπερκαταπονείτε το προϊόν κατά τη χρήση του. Εάν εξακολουθεί να υπάρχει το μήνυμα, απευθυνθείτε στο σέρβις της Hilti . |
| Ένα (1) LED ανάβει κίτρινο | Η επαναφορτιζόμενη μπαταρία Li-Ion και το συνδεδεμένο με αυτή προϊόν δεν είναι συμβατά. Απευθυνθείτε στο σέρβις της Hilti . |
| Ένα (1) LED αναβοσβήνει γρήγορα κόκκινο | Η επαναφορτιζόμενη μπαταρία Li-Ion είναι κλειδωμένη και δεν μπορεί να χρησιμοποιηθεί άλλο. Απευθυνθείτε στο σέρβις της Hilti . |

3.6.2 Ενδείξεις για την κατάσταση της επαναφορτιζόμενης μπαταρίας

Για να ελέγξετε την κατάσταση της επαναφορτιζόμενης μπαταρίας, κρατήστε πατημένο το πλήκτρο απασφάλισης για περισσότερα από τρία δευτερόλεπτα. Το σύστημα δεν αναγνωρίζει μια πιθανή δυσλειτουργία της μπαταρίας λόγω κακής χρήσης, όπως π.χ. πτώση, τρυπήματα, εξωτερικές ζημιές από υψηλή θερμοκρασία κτλ.



| Κατάσταση | Σημασία |
|---|---|
| Όλα τα LED ανάβουν κυλιόμενα και στη συνέχεια το ένα (1) LED ανάβει μόνιμα πράσινο. | Είναι δυνατή η συνέχιση της χρήσης της επαναφορτιζόμενης μπαταρίας. |
| Όλα τα LED ανάβουν κυλιόμενα και στη συνέχεια το ένα (1) LED αναβοσβήνει γρήγορα κίτρινο. | Δεν ήταν δυνατή η ολοκλήρωση του ελέγχου για την κατάσταση της επαναφορτιζόμενης μπαταρίας. Επαναλάβετε τη διαδικασία ή απευθυνθείτε στο σέρβις της Hilti . |
| Όλα τα LED ανάβουν κυλιόμενα και στη συνέχεια το ένα (1) LED ανάβει μόνιμα κόκκινο. | Εάν εξακολουθεί να μπορεί να χρησιμοποιηθεί ένα συνδεδεμένο προϊόν, η υπολειπόμενη χωρητικότητα της μπαταρίας είναι κάτω από 50%. Εάν δεν μπορεί να χρησιμοποιηθεί πλέον ένα συνδεδεμένο προϊόν, η επαναφορτιζόμενη μπαταρία έχει φτάσει στο τέλος της διάρκειας ζωής της και θα πρέπει να αντικατασταθεί. Απευθυνθείτε στο σέρβις της Hilti . |

3.7 Bluetooth® (προαιρετικά)

Το λεκτικό σήμα Bluetooth® όπως και τα γραφικά σήματα (λογότυπα) είναι καταχωρημένα εμπορικά σήματα και ιδιοκτησία της Bluetooth SIG, Inc. Κάθε χρήση αυτού του λεκτικού σήματος/γραφικού σήματος από τη **Hilti Aktiengesellschaft** πραγματοποιείται κατόπιν αδείας.

3.7.1 Κατάλληλη χρήση

Αυτό το προϊόν είναι εξοπλισμένο με μια μονάδα Bluetooth® Low Energy Module, η οποία επιτρέπει τον έλεγχο της κατάστασης ενός ηλεκτρικού εργαλείου καθώς και τη μεταφορά ρυθμίσεων και δεδομένων βασισμένη σε ασύρματη τεχνολογία Bluetooth®, μια ασύρματη μεταφορά δεδομένων, μέσω της οποίας μπορούν να επικοινωνούν μεταξύ τους δύο προϊόντα με τεχνολογία Bluetooth από μικρή απόσταση. Αυτό το προϊόν είναι σχεδιασμένο για να επιτρέπει την επικοινωνία και τη μεταφορά δεδομένων με κινητά τηλέφωνα και **Hilti** gateway. Το προϊόν μπορεί να αποστέλλει χαρακτηριστικά δεδομένων, όπως την τοποθεσία της τερματικής συσκευής λήψης, τη διάρκεια λειτουργίας, τον συνολικό αριθμό των εφαρμογών, τον αριθμό των εφαρμογών κατά τη διάρκεια του χρονικού διαστήματος και τη χρονοσφραγίδα της μεταφοράς δεδομένων. Πληροφορίες για τις παρεχόμενες πληροφορίες συνδεσιμότητας θα βρείτε στην αντίστοιχη εφαρμογή **Hilti** (App) ή στις οδηγίες χρήσης του χρησιμοποιούμενου ηλεκτρικού εργαλείου.

3.7.2 Μεταφορά δεδομένων μέσω Bluetooth®

Το περιοδικό διάστημα αποστολής μπορεί να διαφέρει, ανάλογα με τη διαθέσιμη πηγή ενέργειας του προϊόντος. Η εμβέλεια μπορεί να διαφέρει έντονα ανάλογα με τις εξωτερικές συνθήκες και της συσκευής λήψης που χρησιμοποιείται. Μέσα σε κλειστούς χώρους και λόγω μεταλλικών φραγμών (π.χ. τοίχοι, ράφια, βαλίτσες κτλ.) μπορεί να είναι σημαντικά μικρότερη η εμβέλεια Bluetooth®. Ανάλογα με το περιβάλλον ενδέχεται να χρειαστούν περισσότερα διαστήματα αποστολής, μέχρι να αναγνωριστεί το ηλεκτρικό εργαλείο.

Εάν δεν αναγνωρίζεται το ηλεκτρικό εργαλείο, ελέγξτε τα εξής:

Είναι πολύ μεγάλη η απόσταση από τη φορητή τερματική συσκευή;

→ Μειώστε την απόσταση ανάμεσα στη φορητή τερματική συσκευή και το ηλεκτρικό εργαλείο

3.7.3 Εγκατάσταση και ρύθμιση της εφαρμογής

Για να μπορείτε να χρησιμοποιείτε τις λειτουργίες συνδεσιμότητας, πρέπει πρώτα να εγκαταστήσετε τη σχετική **Hilti** εφαρμογή.

(1.) Κατεβάστε την εφαρμογή μέσω ενός αντίστοιχου App-Store.



Προϋπόθεση είναι να έχετε έναν λογαριασμό χρήστη στο σχετικό App-Store.

(2.) Αφού ανοίξετε για πρώτη φορά την εφαρμογή, συνδεθείτε με τον λογαριασμό σας ή εγγραφείτε.

(3.) Στην οθόνη της φορητής σας τερματικής συσκευής εμφανίζονται όλα τα υπόλοιπα βήματα για τη σύνδεση του ηλεκτρικού εργαλείου με τη φορητή τερματική συσκευή.



Εκτελέστε αρχικά ολόκληρο τον οδηγό εκμάθησης της εφαρμογής. Έτσι θα αποκτήσετε μια καλύτερη εικόνα για τη διαδικασία σύνδεσης και τη χρήση των λειτουργιών συνδεσιμότητας.



3.8 Προστασία βαθιάς εκφόρτισης

Το προϊόν διαθέτει μια λειτουργία αδρανοποίησης για την προστασία της επαναφορτιζόμενης μπαταρίας Li-Ion από βαθιά εκφόρτιση. Με αυτόν τον τρόπο αποτρέπεται η βαθιά εκφόρτιση της επαναφορτιζόμενης μπαταρίας.

- Η προστασία βαθιάς εκφόρτισης ενεργοποιείται μετά από 360 λεπτά.
- Για να απενεργοποιήσετε την προστασία βαθιάς εκφόρτισης, αφαιρέστε την επαναφορτιζόμενη μπαταρία και τοποθετήστε τη ξανά.

3.9 Έκταση παράδοσης

Καρφωτικό , οδηγίες χρήσης.

Περισσότερα προϊόντα συστήματος εγκεκριμένα για το προϊόν σας θα βρείτε στο **Hilti Store** ή στη διεύθυνση: www.hilti.group

4 Τεχνικά χαρακτηριστικά

| | BX 3-22 | BX 3-L-22 | BX 3-ME-22 |
|---|-------------------------|-------------------------|-------------------------|
| Βάρος κατά ΕΡΤΑ Procedure 01 χωρίς επαναφορτιζόμενη μπαταρία | 3,5 kg | 3,5 kg | 3,4 kg |
| Μήκος καρφιών σε δεσμίδα | 14 mm ... 30 mm | 14 mm ... 36 mm | 14 mm ... 24 mm |
| Μήκος καρφιών στη μεμονωμένη τοποθέτηση | •/• | •/• | 30 mm ... 36 mm |
| Διάμετρος καρφιών | 3 mm | 2,75 mm ... 3,0 mm | 3 mm |
| Χωρητικότητα δεσμίδας | 30 καρφιά | 30 καρφιά | 20 καρφιά |
| Απόσταση πίεσης | 12 mm | 12 mm | 12 mm |
| Δύναμη πίεσης | 50 N ... 70 N | 50 N ... 70 N | 50 N ... 70 N |
| Προτεινόμενη μέγιστη συχνότητα τοποθέτησης σε θερμοκρασία δωματίου | 700/h | 700/h | 700/h |
| Ονομαστική τάση | 21,6 V | 21,6 V | 21,6 V |
| Μέγιστη ακτινοβολούμενη ισχύς εκπομπής Bluetooth® | 8 dBm | 8 dBm | 8 dBm |
| Εύρος συχνοτήτων Bluetooth | 2.402 MHz ... 2.480 MHz | 2.402 MHz ... 2.480 MHz | 2.402 MHz ... 2.480 MHz |
| Θερμοκρασία αποθήκευσης | -20 °C ... 70 °C | -20 °C ... 70 °C | -20 °C ... 70 °C |
| Θερμοκρασία περιβάλλοντος κατά τη λειτουργία | -17 °C ... 60 °C | -17 °C ... 60 °C | -17 °C ... 60 °C |

4.1 Επαναφορτιζόμενη μπαταρία

| | |
|---|--|
| Τάση λειτουργίας επαναφορτιζόμενης μπαταρίας | 21,6 V |
| Βάρος επαναφορτιζόμενης μπαταρίας | Βλέπε στο τέλος αυτών των οδηγιών χρήσης |
| Θερμοκρασία περιβάλλοντος κατά τη λειτουργία | -17 °C ... 60 °C |
| Θερμοκρασία αποθήκευσης | -20 °C ... 40 °C |
| Θερμοκρασία μπαταρίας στην έναρξη φόρτισης | -10 °C ... 45 °C |



4.2 Πληροφορίες θορύβου και τιμές κραδασμών κατά EN 62841

Οι αναφερόμενες στις παρούσες οδηγίες τιμές ηχητικής πίεσης και κραδασμών έχουν μετρηθεί σύμφωνα με μια τυποποιημένη μέθοδο μέτρησης και μπορούν να χρησιμοποιηθούν για τη σύγκριση μεταξύ ηλεκτρικών εργαλείων. Είναι επίσης κατάλληλες για πρόχειρη εκτίμηση των εκθέσεων.

Τα αναφερόμενα στοιχεία αντιπροσωπεύουν τις κύριες εφαρμογές του ηλεκτρικού εργαλείου. Εάν ωστόσο το ηλεκτρικό εργαλείο χρησιμοποιηθεί σε άλλες εφαρμογές, με διαφορετικά εξαρτήματα ή με ελλιπή συντήρηση, ενδέχεται να διαφέρουν τα στοιχεία. Το γεγονός αυτό μπορεί να αυξήσει σημαντικά τις εκθέσεις σε όλη τη διάρκεια του χρόνου εργασίας.

Για μια ακριβής εκτίμηση της έκθεσης θα πρέπει να συνυπολογίζονται και οι χρόνοι, στους οποίους είναι απενεργοποιημένο το εργαλείο ή λειτουργεί μεν, αλλά δεν χρησιμοποιείται πραγματικά. Το γεγονός αυτό μπορεί να μειώσει σημαντικά τις εκθέσεις σε όλη τη διάρκεια του χρόνου εργασίας.

Καθορίστε πρόσθετα μέτρα ασφαλείας για την προστασία του χρήστη από την επίδραση του θορύβου και/ή των κραδασμών, όπως για παράδειγμα: Συντήρηση ηλεκτρικού εργαλείου και εξαρτημάτων, διατήρηση χεριών σε κανονική θερμοκρασία, οργάνωση των σταδίων εργασίας.

Πληροφορίες θορύβου

| | | BX 3-22 | BX 3-L-22 | BX 3-ME-22 |
|---|---------|---------|-----------|------------|
| Τυπική μέτρηση στάθμης ηχητικής ισχύος τύπου A (κατά την εισαγωγή καρφιών) (L_{WA}) | Μπετόν | 96 dB | 96 dB | 96 dB |
| | Χάλυβας | 100 dB | 100 dB | 100 dB |
| Τυπική μέτρηση επιπέδου πίεσης τύπου A (κατά την εισαγωγή καρφιών) (L_{pA}) | Μπετόν | 85 dB | 85 dB | 85 dB |
| | Χάλυβας | 89 dB | 89 dB | 89 dB |
| Ανακρίβεια για τις αναφερόμενες στάθμες θορύβου (K_{WA} , K_{pA}) | | 3 dB | 3 dB | 3 dB |

Μονοαξονικές συνολικές τιμές δόνησης (προς την κατεύθυνση z)

| | | BX 3-22 | BX 3-L-22 | BX 3-ME-22 |
|--|---------|----------------------|----------------------|----------------------|
| Τιμή κραδασμών (κατά την εισαγωγή καρφιών) με επαναφορτιζόμενη μπαταρία B22 55 (a _h) | Μπετόν | 2,5 m/s ² | 2,5 m/s ² | 2,5 m/s ² |
| | Χάλυβας | 3,3 m/s ² | 3,3 m/s ² | 3,3 m/s ² |
| Τιμή κραδασμών (κατά την εισαγωγή καρφιών) με επαναφορτιζόμενη μπαταρία B22 85 (a _h) | Μπετόν | 2,9 m/s ² | 2,9 m/s ² | 2,9 m/s ² |
| | Χάλυβας | 3,5 m/s ² | 3,5 m/s ² | 3,5 m/s ² |
| Ανακρίβεια (K) | | 1,5 m/s ² | 1,5 m/s ² | 1,5 m/s ² |

5 Προετοιμασία εργασίας



ΠΡΟΕΙΔΟΠΟΙΗΣΗ

Κίνδυνος τραυματισμού από ακούσια έναρξη λειτουργίας!

- ▶ Βεβαιωθείτε ότι το σχετικό προϊόν είναι εκτός λειτουργίας, πριν τοποθετήσετε την επαναφορτιζόμενη μπαταρία.
- ▶ Αφαιρέστε την μπαταρία, πριν πραγματοποιήσετε ρυθμίσεις στο εργαλείο ή αντικαταστήσετε αξεσουάρ.

Προσέξτε τις υποδείξεις ασφαλείας και προειδοποίησης στην παρούσα τεκμηρίωση και στο προϊόν.

5.1 Φορτίστε την μπαταρία

1. Διαβάστε πριν από τη φόρτιση τις οδηγίες χρήσης του φορτιστή.
2. Βεβαιωθείτε ότι οι επαφές της επαναφορτιζόμενης μπαταρίας και του φορτιστή είναι καθαρές και στεγνές.
3. Φορτίστε την επαναφορτιζόμενη μπαταρία σε έναν εγκεκριμένο φορτιστή. → σελίδα 208



5.2 Τοποθέτηση μπαταρίας

ΠΡΟΕΙΔΟΠΟΙΗΣΗ

Κίνδυνος τραυματισμού από βραχυκύκλωμα ή πτώση της μπαταρίας!

- ▶ Βεβαιωθείτε ότι δεν υπάρχουν ξένα αντικείμενα στις επαφές στην μπαταρία και στις επαφές στο προϊόν, πριν τοποθετήσετε την επαναφορτιζόμενη μπαταρία.
 - ▶ Βεβαιωθείτε ότι η επαναφορτιζόμενη μπαταρία κουμπώνει πάντα σωστά.
-
1. Φορτίζετε πλήρως την μπαταρία πριν από την πρώτη θέση σε λειτουργία.
 2. Εισάγετε την επαναφορτιζόμενη μπαταρία στο προϊόν, μέχρι να κουμπώσει με χαρακτηριστικό ήχο.
 3. Βεβαιωθείτε ότι εδράζει καλά η μπαταρία.

5.3 Αφαίρεση επαναφορτιζόμενης μπαταρίας

1. Πατήστε το πλήκτρο απασφάλισης της επαναφορτιζόμενης μπαταρίας.
2. Τραβήξτε την μπαταρία από το προϊόν.

5.4 Αφαίρεση οδηγού καρφιών

1. Τραβήξτε προς τα κάτω τον σύρτη καρφιών, μέχρι να κουμπώσει.
2. Αδειάστε τη δεσμίδα. → σελίδα 216
3. Ωθήστε τον μηχανισμό ασφάλισης του οδηγού καρφιών με τη φορά του βέλους μέχρι να τερματίσει.
 - ▶ Ο οδηγός καρφιών ελευθερώνεται.
4. Αφαιρέστε τον οδηγό καρφιών.

5.5 Τοποθέτηση οδηγού καρφιών

1. Τραβήξτε προς τα κάτω τον σύρτη καρφιών, μέχρι να κουμπώσει.
2. Αδειάστε τη δεσμίδα. → σελίδα 216
3. Ωθήστε τον μηχανισμό ασφάλισης του οδηγού καρφιών με τη φορά του βέλους μέχρι να τερματίσει και κρατήστε τον σε αυτή τη θέση.
4. Ωθήστε τον οδηγό καρφιών στη μύτη του εργαλείου μέχρι να ακουστεί ότι έχει ασφαλίσει.
5. Αφήστε ελεύθερο τον μηχανισμό ασφάλισης οδηγού καρφιών μετακινείται στη μεσαία θέση.
 - ▶ Ο μηχανισμός ασφάλισης οδηγού καρφιών μετακινείται στη μεσαία θέση.
6. Ελέγξτε την ασφαλή έδρασή της, τραβώντας τον οδηγό καρφιών.

5.6 Ασφαλής εργασία με άγκιστρο ζώνης και άγκιστρο ικρίωματος

- ▶ Βεβαιωθείτε πριν από την έναρξη της εργασίας, ότι το άγκιστρο ζώνης/ικρίωματος είναι στερεωμένο με ασφάλεια στο προϊόν.
- ▶ Χρησιμοποιείτε το άγκιστρο ζώνης/ικρίωματος μόνο για όσο χρονικό διάστημα είναι απαραίτητο. Αποθέστε με ασφάλεια το προϊόν, εάν δεν πρόκειται να το χρησιμοποιήσετε για μεγαλύτερο χρονικό διάστημα.

5.7 Ασφάλεια από πτώση

ΠΡΟΕΙΔΟΠΟΙΗΣΗ

Κίνδυνος τραυματισμού από πτώση του εξαρτήματος και/ή αξεσουάρ!

- ▶ Χρησιμοποιείτε μόνο το προτεινόμενο για το προϊόν σας κορδόνι συγκράτησης εργαλείων **Hilti**.
 - ▶ Πριν από τη χρήση, ελέγχετε το σημείο στερέωσης του κορδονιού συγκράτησης εργαλείων για πιθανές ζημιές.
 - ▶ Μην στερεώνετε κορδόνι συγκράτησης εργαλείων στο άγκιστρο ζώνης. Μην χρησιμοποιείτε ένα άγκιστρο ζώνης για την ανύψωση του προϊόντος.
-



Προσέξτε τις εθνικές οδηγίες για εργασίες σε ύψος.

Χρησιμοποιείτε ως ασφάλεια πτώσης για αυτό το προϊόν αποκλειστικά και μόνο το **Hilti** κορδόνι συγκράτησης εργαλείων #2261970.



- ▶ Στερεώστε το κορδόνι συγκράτησης εργαλείων με έναν караμπίνερ στο προϊόν όπως στην εικόνα. Ελέγξτε την ασφαλή στερέωση του караμπίνερ.
- ▶ Στερεώστε το δεύτερο караμπίνερ σε μια φέρουσα δομική κατασκευή. Ελέγξτε την ασφαλή στερέωση του караμπίνερ.



Προσέξτε τις οδηγίες χρήσης του κορδονιού συγκράτησης εργαλείων της **Hilti**.

5.8 Εφοδιασμός για λειτουργία σε δεσμίδα 4



ΠΡΟΣΟΧΗ

Κίνδυνος σύνθλιψης! Η απότομη επιστροφή του σύρτη καρφιών ενδέχεται να προκαλέσει τραυματισμούς και ζημιές στο καρφωτικό.

- ▶ Βεβαιωθείτε κατά το τράβηγμα του σύρτη καρφιών προς τα κάτω, ότι έχει ασφαλίσει σωστά. Μην αφήνετε τον σύρτη καρφιών να επιστρέφει απότομα.
1. Τραβήξτε προς τα κάτω τον σύρτη καρφιών, μέχρι να κουμπώσει.
 2. Αφήστε την ταινία καρφιών να γλιστρήσει μέσα στη δεσμίδα (μέγιστο 3 ταινίες με 10 καρφιά έκαστη).
 3. Συγκρατήστε τον σύρτη καρφιών και πιέστε την απασφάλιση του σύρτη καρφιών.
 4. Τραβήξτε πίσω τον σύρτη καρφιών μέχρι να ακουμπήσει ένα καρφί.

5.9 Εφοδιασμός για λειτουργία τοποθέτησης μονού καρφιού

BX 3-ME-22



ΠΡΟΣΟΧΗ

Κίνδυνος σύνθλιψης! Η απότομη επιστροφή του σύρτη καρφιών ενδέχεται να προκαλέσει τραυματισμούς και ζημιές στο καρφωτικό.

- ▶ Βεβαιωθείτε κατά το τράβηγμα του σύρτη καρφιών προς τα κάτω, ότι έχει ασφαλίσει σωστά. Μην αφήνετε τον σύρτη καρφιών να επιστρέφει απότομα.
1. Τραβήξτε προς τα κάτω τον σύρτη καρφιών, μέχρι να κουμπώσει.
 2. Αφήστε τις ταινίες καρφιών να εξέλθουν από τη δεσμίδα, και βεβαιωθείτε ότι η δεσμίδα είναι άδεια.



Το καρφωτικό μπορεί να υποστεί ζημιά, εάν δεν έχετε αφαιρέσει όλα τα καρφιά από τη δεσμίδα πριν από την τοποθέτηση με τη λειτουργία μονού καρφιού.

3. Συγκρατήστε τον σύρτη καρφιών και πιέστε την απασφάλιση του σύρτη καρφιών.
4. Τραβήξτε τον σύρτη καρφιών προς τα πίσω.
5. Τοποθετήστε το καρφί στην προβλεπόμενη εσοχή στον οδηγό καρφιών. Προαιρετικά μπορείτε στη συνέχεια να τοποθετήσετε επιπρόσθετα ένα εγκεκριμένο εξάρτημα στερέωσης στον οδηγό καρφιών.



Η τοποθέτηση με περισσότερα από ένα καρφιά στον οδηγό καρφιών μπορεί να προκαλέσει ζημιές στο καρφωτικό. Εφοδιάζετε τον οδηγό καρφιών στη λειτουργία μονού καρφιού πάντα με το πολύ ένα καρφί.

6. Πατήστε τον διακόπτη μονού καρφιού.
 - ▶ Ο διακόπτης μονού καρφιού ασφαλίζει με χαρακτηριστικό ήχο.



Τραβώντας τον σύρτη καρφιών λιγα εκατοστά προς τα κάτω, ενεργοποιείται ξανά ο διακόπτης μονού καρφιού.

6 Χειρισμός

Προσέξτε τις υποδείξεις ασφαλείας και προειδοποίησης στην παρούσα τεκμηρίωση και στο προϊόν.

6.1 Χρήση του στηρίγματος 5

Σε επίπεδο υπόστρωμα, το στηρίγμα διευκολύνει την εφαρμογή του καρφωτικού υπό ορθή γωνία, δεδομένου ότι χρειάζεται πλέον να προσέχετε μόνο εάν στις πλευρές βρίσκεται υπό ορθή γωνία. Σε ανώμαλο υπόστρωμα ενδέχεται να είναι απαραίτητο να κλείσετε το στηρίγμα, για να φέρετε τον οδηγό καρφιών υπό ορθή γωνία προς το υπόστρωμα.



6.1.1 Κλείσιμο στηρίγματος

1. Πιέστε κόντρα στο στήριγμα, ώστε να το ελευθερώσετε από τη θέση ασφάλισης.
2. Μετακινήστε το στήριγμα προς τα πίσω.

6.1.2 Άνοιγμα στηρίγματος

ΠΡΟΣΟΧΗ

Κίνδυνος σύνθλιψης! Κατά την αναδίπλωση του στηρίγματος υπάρχει κίνδυνος να συνθλιψετε τα δάκτυλα ανάμεσα στο στήριγμα και στο περιβλήμα.

- ▶ Συγκρατείτε το καρφωτικό από τη χειρολαβή κατά την αναδίπλωση του στηρίγματος.

1. Μετακινήστε το στήριγμα προς τα εμπρός.
2. Πιέστε από κάτω κόντρα στο στήριγμα, ώστε να το ασφαλίσετε στην ανοιχτή θέση.

6.2 Απενεργοποίηση Bluetooth (προαιρετικά)

- ▶ Πιέστε το καρφωτικό για 10 δευτερόλεπτα στο υπόστρωμα.
 - ▶ Μετά από 6 δευτερόλεπτα αποσυνμιέζεται ηχητικά το ελατήριο (κρατήστε το καρφωτικό πιεσμένο για ακόμη 4 δευτερόλεπτα).
 - ▶ Η ένδειξη κατάστασης αναβοσβήνει 3 φορές μπλε.
 - ▶ Ο θόρυβος μοτέρ ακούγεται 3 φορές.
 - ▶ Δεν είναι πλέον δυνατή η μεταφορά δεδομένων.



Όταν βρίσκεστε σε ευαίσθητο περιβάλλον (π.χ. νοσοκομείο), όπου δεν επιτρέπεται η χρήση Bluetooth, μπορείτε να απενεργοποιήσετε το Bluetooth.

Για να ενεργοποιήσετε ξανά το Bluetooth, αφαιρέστε την επαναφορτιζόμενη μπαταρία και τοποθετήστε τη ξανά.

6.3 Ενεργοποίηση/απενεργοποίηση καρφωτικού

6.3.1 Ενεργοποίηση καρφωτικού

ΠΡΟΕΙΔΟΠΟΙΗΣΗ

Κίνδυνος τραυματισμού! Από την πίεση του καρφωτικού κόντρα σε ένα μέρος του σώματος, ενδέχεται να προκληθούν σοβαροί τραυματισμοί από ακούσια ενεργοποίηση ενόσ καρφώματος.

- ▶ **Μην πιέζετε το καρφωτικό ποτέ κόντρα στο χέρι σας ή σε άλλο μέρος του σώματος.**

1. Γεμίστε στη λειτουργία με δεσμίδα τη δεσμίδα. → σελίδα 214
2. Τοποθετήστε την επαναφορτιζόμενη μπαταρία. → σελίδα 213
 - ▶ Η ένδειξη κατάστασης αναβοσβήνει αργά με πράσινο χρώμα.



Κατά τη λειτουργία με μειωμένη ισχύ μπαταρίας το καρφωτικό απενεργοποιείται, πριν προκληθούν ζημιές στις κυψέλες της μπαταρίας.

3. Πιέστε το καρφωτικό κόντρα σε κατάλληλο υπόστρωμα για να ενεργοποιηθεί.
 - ▶ Το καρφωτικό συμπίεζεται.
 - ▶ Η ένδειξη κατάστασης ανάβει με πράσινο χρώμα.

6.3.2 Απενεργοποίηση καρφωτικού

- ▶ Απομακρύνετε την μπαταρία. → σελίδα 213
 - ▶ Η εκτόνωση του ελατηρίου ακούγεται και η ένδειξη κατάστασης σβήνει.



Μετά από 6 λεπτά, το καρφωτικό παράγει έναν θόρυβο μοτέρ ως υπόδειξη, ότι το καρφωτικό θα απενεργοποιηθεί σε λίγο. Μετά την υπόδειξη, το καρφωτικό απενεργοποιείται αυτόματα.

6.4 Πραγματοποίηση τοποθέτησης

ΠΡΟΕΙΔΟΠΟΙΗΣΗ

Κίνδυνος τραυματισμού από εξαρτήματα στερέωσης που διαπερνούν το δομικό στοιχείο!

- ▶ Βεβαιωθείτε πριν από την τοποθέτηση εξαρτημάτων στερέωσης, ότι δεν βρίσκεται κανείς πίσω ή κάτω από το δομικό στοιχείο, στο οποίο τοποθετείται το εξάρτημα στερέωσης.



⚠ ΠΡΟΕΙΔΟΠΟΙΗΣΗ

Κίνδυνος τραυματισμού από εκτινασσόμενα εξαρτήματα! Κατά τη διαδικασία τοποθέτησης υπάρχει ο κίνδυνος τραυματισμών στο σώμα και στα μάτια από θραύσματα υλικού που προέρχονται από το υπόστρωμα και από εκτινασσόμενα τμήματα της ταινία καρφιών.

- ▶ **Φοράτε μέσα ατομικής προστασίας και πάντα προστατευτικά γυαλιά και προστατευτικά γάντια.** Και άλλα άτομα στον περιβάλλοντα χώρο πρέπει να φορούν προστατευτικά γυαλιά και προστατευτικό κράνος.

⚠ ΠΡΟΕΙΔΟΠΟΙΗΣΗ

Κίνδυνος τραυματισμού! Από την πίεση του καρφωτικού κόντρα σε ένα μέρος του σώματος, ενδέχεται να προκληθούν σοβαροί τραυματισμοί από ακούσια ενεργοποίηση ενός καρφώματος.

- ▶ **Μην πιέζετε το καρφωτικό ποτέ κόντρα στο χέρι σας ή σε άλλο μέρος του σώματος.**

1. Πριν αρχίσετε την εργασία, τοποθετήστε δοκιμαστικά 2 εξαρτήματα στερέωσης στο υπόστρωμα.
2. Εφαρμόστε το καρφωτικό σε ορθή γωνία στο υπόστρωμα και πιέστε τον οδηγό καρφιών μέχρι να τερματίσει.
 - ▶ Το καρφωτικό ενεργοποιείται.
3. Καρφώστε πιέζοντας το κουμπί ασφαλείας.
4. Απομακρύνετε το καρφωτικό τελείως από το υπόστρωμα μετά το κάρφωμα.



Εάν πιέσετε τον οδηγό καρφιών περισσότερο από 6 δευτερόλεπτα στο υπόστρωμα, χωρίς να πραγματοποιηθεί κάρφωμα, το καρφωτικό μεταβαίνει αυτόματα στη λειτουργία αναμονής. Εφαρμόζοντας εκ νέου τη μύτη του εργαλείου στο υπόστρωμα οπλίζεται ξανά το καρφωτικό.

6.5 Αφαίρεση καρφιών στη λειτουργία σε δεσμίδα

1. Τραβήξτε προς τα κάτω τον σύρτη καρφιών, μέχρι να κουμπώσει.
2. Αφαιρέστε τα καρφιά από τη δεσμίδα, σπρώχνοντάς τα προς τα κάτω.
3. Συγκρατήστε τον σύρτη καρφιών και πιέστε την απασφάλιση του σύρτη καρφιών.
4. Τραβήξτε τον οδηγό καρφιών προς τα πίσω στην αρχική θέση.

6.6 Ελευθέρωση κολλημένου καρφιού**⚠ ΠΡΟΕΙΔΟΠΟΙΗΣΗ**

Κίνδυνος τραυματισμού και ζημιά στο καρφωτικό. Η χρήση ακατάλληλων αντικειμένων αντί των προτεινόμενων γνήσιων αξεσουάρ της Hilti μπορεί να προκαλέσει τραυματισμούς και ζημιές στο καρφωτικό.

- ▶ Χρησιμοποιήστε για την απελευθέρωση του κολλημένου καρφιού αποκλειστικά και μόνο το προτεινόμενο σετ ζουμπάδων.

⚠ ΠΡΟΕΙΔΟΠΟΙΗΣΗ

Κίνδυνος τραυματισμού από εκτινασσόμενα εξαρτήματα! Ένα κάρφωμα μπορεί να προκαλέσει τραυματισμούς από εκτινασσόμενα εξαρτήματα, εάν υπάρχουν ξένα σώματα στην περιοχή του οδηγού καρφιών ή εάν έχουν κολλήσει εξαρτήματα στερέωσης στον οδηγό καρφιών.

- ▶ Μην προσπαθήσετε ποτέ να αποκαταστήσετε βλάβες στο καρφωτικό καρφώνοντας ξανά!



Κάποια μεμονωμένα καρφιά ενδέχεται να κολλήσουν μέσα στον οδηγό καρφιών. Με τη βοήθεια του σετ ζουμπάδων X-NP μπορείτε να απομακρύνετε κολλημένα καρφιά από τον οδηγό καρφιών. Αξεσουάρ θα βρείτε στο Hilti Store ή online στη διεύθυνση www.hilti.group.

1. Αφαιρέστε τον οδηγό καρφιών (βλέπε → σελίδα 213).
2. Τοποθετήστε τον οδηγό καρφιών στο χιτώνιο υποδοχής του σετ ζουμπάδων.
3. Βγάλτε από τον οδηγό καρφιών το κολλημένο καρφί με τη βοήθεια του ζουμπά και ενός σφυριού.
4. Τοποθετήστε τον οδηγό καρφιών (βλέπε → σελίδα 213).



7 Φροντίδα και συντήρηση



ΠΡΟΕΙΔΟΠΟΙΗΣΗ

Κίνδυνος τραυματισμού από τοποθετημένη μπαταρία !

- ▶ Πριν από κάθε εργασία φροντίδας και συντήρησης αφαιρείτε πάντα την μπαταρία!

Φροντίδα του προϊόντος

- Απομακρύνετε με προσοχή τους ρύπους που έχουν επικαθίσει.
- Εφόσον υπάρχουν, καθαρίζετε τις σχισμές αερισμού προσεκτικά με μια στεγνή, μαλακή βούρτσα.
- Καθαρίζετε το περίβλημα μόνο με ένα ελαφρώς βρεγμένο πανί. Μην χρησιμοποιείτε υλικά φροντίδας με περιεκτικότητα σε σιλικόνη, διότι ενδέχεται να προσβάλλουν τα πλαστικά μέρη.
- Χρησιμοποιήστε ένα καθαρό, στεγνό πανί, για να καθαρίσετε τις επαφές του προϊόντος.

Φροντίδα επαναφορτιζόμενων μπαταριών Li-Ion

- Μην χρησιμοποιείτε ποτέ μια επαναφορτιζόμενη μπαταρία με βουλωμένες σχισμές αερισμού. Καθαρίζετε τις σχισμές αερισμού προσεκτικά με μια στεγνή, μαλακή βούρτσα.
- Αποφύγετε την άσκοπη έκθεση της επαναφορτιζόμενης μπαταρίας σε σκόνη ή ρύπους. Μην εκθέτετε ποτέ την επαναφορτιζόμενη μπαταρία σε μεγάλη υγρασία (π.χ. βύθιση σε νερό ή παραμονή σε βροχή). Εάν έχει βραχεί μια επαναφορτιζόμενη μπαταρία, αντιμετωπίστε την όπως μια μπαταρία που έχει υποστεί ζημιά. Απομονώστε τη σε ένα μη εύφλεκτο δοχείο και απευθυνθείτε στο σέρβις της **Hilti**.
- Διατηρείτε την επαναφορτιζόμενη μπαταρία καθαρή από ξένα λάδια και γράσα. Μην επιτρέπετε να συγκεντρώνονται άσκοπα σκόνες ή ρύποι στην επαναφορτιζόμενη μπαταρία. Καθαρίζετε την επαναφορτιζόμενη μπαταρία με μια στεγνή, μαλακή βούρτσα ή ένα καθαρό, στεγνό πανί. Μην χρησιμοποιείτε υλικά φροντίδας με περιεκτικότητα σε σιλικόνη, διότι ενδέχεται να προσβάλλουν τα πλαστικά μέρη.
Μην ακουμπάτε τις επαφές της επαναφορτιζόμενης μπαταρίας και μην απομακρύνετε από τις επαφές το εργασιακό γράσο.
- Καθαρίζετε το περίβλημα μόνο με ένα ελαφρώς βρεγμένο πανί. Μην χρησιμοποιείτε υλικά φροντίδας με περιεκτικότητα σε σιλικόνη, διότι ενδέχεται να προσβάλλουν τα πλαστικά μέρη.

Συντήρηση

- Ελέγχετε τακτικά όλα τα ορατά μέρη για τυχόν ζημιές και την άφογη λειτουργία όλων των χειριστηρίων.
- Μην χρησιμοποιείτε το προϊόν σε περίπτωση ζημιών ή/και δυσλειτουργιών. Αναθέστε άμεσα την επισκευή του προϊόντος στο σέρβις της **Hilti**.
- Μετά από εργασίες φροντίδας και συντήρησης, τοποθετήστε όλα τα συστήματα προστασίας και ελέγξτε την απρόσκοπτη λειτουργία τους.



Για μια ασφαλή λειτουργία χρησιμοποιείτε μόνο γνήσια ανταλλακτικά και αναλώσιμα. Εγκεκριμένα από τη **Hilti** ανταλλακτικά, αναλώσιμα και αξεσουάρ για το προϊόν σας θα βρείτε στο πλησιέστερο **Hilti Store** ή στη διεύθυνση: www.hilti.group

7.1 Καθαρισμός εσωτερικής πλευράς μύτης εργαλείου

1. Αφαιρέστε τον οδηγό καρφιών. → σελίδα 213
2. Καθαρίστε την εσωτερική πλευρά της μύτης του εργαλείου.
3. Τοποθετήστε τον οδηγό καρφιών. → σελίδα 213

8 Μεταφορά και αποθήκευση επαναφορτιζόμενων εργαλείων και επαναφορτιζόμενων μπαταριών

Μεταφορά



ΠΡΟΣΟΧΗ

Ακούσια ενεργοποίηση κατά τη μεταφορά !

- ▶ Μεταφέρετε τα προϊόντα σας πάντα χωρίς τις μπαταρίες τοποθετημένες!
- ▶ Αφαιρέστε τις επαναφορτιζόμενες μπαταρίες.
- ▶ Μεταφέρετε και αποθηκεύετε το εργαλείο πάντα σε μια ασφαλισμένη βαλίτσα.
- ▶ Μην μεταφέρετε τις επαναφορτιζόμενες μπαταρίες ποτέ χύδην. Κατά τη μεταφορά θα πρέπει οι επαναφορτιζόμενες μπαταρίες να προστατεύονται από υπερβολικές κρούσεις και δονήσεις και να απομονώνονται από κάθε είδους αγώγιμα υλικά ή άλλες επαναφορτιζόμενες μπαταρίες, ώστε να μην



έρθουν σε επαφή με άλλους πόλους μπαταριών και προκληθεί βραχυκύκλωμα. **Λάβετε υπόψη τις τοπικές προδιαγραφές μεταφοράς για επαναφορτιζόμενες μπαταρίες.**

- ▶ Δεν επιτρέπεται η αποστολή επαναφορτιζόμενων μπαταριών μέσω ταχυδρομείου. Απευθυνθείτε σε μια μεταφορική εταιρεία, όταν θέλετε να αποστείλετε άθικτες επαναφορτιζόμενες μπαταρίες.
- ▶ Ελέγχετε το προϊόν και τις επαναφορτιζόμενες μπαταρίες για τυχόν ζημιές πριν από κάθε χρήση καθώς και πριν και μετά από μεγαλύτερης διάρκειας μεταφορά.

Αποθήκευση

ΠΡΟΕΙΔΟΠΟΙΗΣΗ

Ακούσια πρόκληση ζημιάς από ελαττωματικές μπαταρίες. !

- ▶ Αποθηκεύετε τα προϊόντα σας πάντα χωρίς τις μπαταρίες τοποθετημένες!
- ▶ Αποθηκεύετε το προϊόν και τις επαναφορτιζόμενες μπαταρίες σε δροσερό και στεγνό χώρο. Προσέξτε τις οριακές τιμές θερμοκρασίας, που αναφέρονται στα τεχνικά χαρακτηριστικά.
- ▶ Μην φυλάτε επαναφορτιζόμενες μπαταρίες πάνω στον φορτιστή. Μετά τη διαδικασία φόρτισης, αφαιρείτε πάντα την επαναφορτιζόμενη μπαταρία από τον φορτιστή.
- ▶ Ποτέ μην αποθηκεύετε τις επαναφορτιζόμενες μπαταρίες στον ήλιο, πάνω σε πηγές θερμότητας ή πίσω από τζάμια.
- ▶ Αποθηκεύετε το προϊόν και τις επαναφορτιζόμενες μπαταρίες σε σημείο στο οποίο δεν έχουν πρόσβαση παιδιά και αναρμόδια άτομα.
- ▶ Ελέγχετε το προϊόν και τις επαναφορτιζόμενες μπαταρίες για τυχόν ζημιές πριν από κάθε χρήση καθώς και πριν και μετά από μεγαλύτερης διάρκειας αποθήκευση.

9 Βοήθεια για προβλήματα

Εφόσον δεν αναφέρεται διαφορετικά, όλα τα φωτεινά σήματα αναφέρονται στην ένδειξη κατάστασης του καρφωτικού. Προσέχετε σε όλες τις βλάβες την ένδειξη κατάστασης φόρτισης και σφαλμάτων της επαναφορτιζόμενης μπαταρίας. Βλέπε κεφάλαιο **Ενδείξεις της επαναφορτιζόμενης μπαταρίας Li-Ion**.

Σε βλάβες που δεν αναφέρονται σε αυτόν τον πίνακα ή δεν μπορείτε να αποκαταστήσετε μόνοι σας, απευθυνθείτε στο σέρβις της **Hilti**.

| Βλάβη | Πιθανή αιτία | Λύση |
|--|---------------------------------------|---|
| Η ένδειξη κατάστασης ανάβει με πράσινο χρώμα. | Επαναφορτιζόμενη μπαταρία άδεια. | ▶ Αντικαταστήστε την επαναφορτιζόμενη μπαταρία. |
| Το ελατήριο δεν συμπίεζεται, η ένδειξη κατάστασης ανάβει με πράσινο χρώμα. | Επαναφορτιζόμενη μπαταρία άδεια. | ▶ Αντικαταστήστε την επαναφορτιζόμενη μπαταρία. |
| Ο οδηγός καρφιών δεν πιέζεται και η ένδειξη κατάστασης ανάβει μπλε . | Δεσμίδα άδεια. | ▶ Γεμίστε στη λειτουργία με δεσμίδα τη δεσμίδα. → σελίδα 214 |
| Ο οδηγός καρφιών δεν πιέζεται και η ένδειξη κατάστασης ανάβει πράσινη . | Σύρτης καρφιών κολλημένος. | ▶ Αφαιρέστε την ταινία καρφιών από τη δεσμίδα και καθαρίστε τη δεσμίδα. |
| | Καρφί κολλημένο στον οδηγό καρφιών. | ▶ Ελευθερώστε το κολλημένο καρφί. → σελίδα 216 |
| Το ελατήριο συμπίεζεται με καθυστέρηση, η ένδειξη κατάστασης αναβοσβήνει μπλε, ταυτόχρονα ακούγεται ηχητικό σήμα, στη συνέχεια ανάβει μπλε η ένδειξη κατάστασης για 6 λεπτά. | Δεσμίδα άδεια. | ▶ Γεμίστε στη λειτουργία με δεσμίδα τη δεσμίδα. → σελίδα 214 |
| Το ελατήριο δεν συμπίεζεται περαιτέρω και η ένδειξη κατάστασης αναβοσβήνει με κίτρινο χρώμα. | Υπερβολική θερμοκρασία στο καρφωτικό. | ▶ Αφήστε το καρφωτικό να κρυώσει. |
| | Θερμοκρασία μπαταρίας πολύ υψηλή. | ▶ Αφήστε την επαναφορτιζόμενη μπαταρία να κρυώσει. |
| | Θερμοκρασία μπαταρίας πολύ χαμηλή. | ▶ Αφήστε την μπαταρία να φτάσει σταδιακά σε θερμοκρασία δωματίου. |



| Βλάβη | Πιθανή αιτία | Λύση |
|--|--|--|
| Το ελατήριο δεν συμπιέζεται και η ένδειξη κατάστασης αναβοσβήνει με κόκκινο χρώμα. | Ο οδηγός καρφιών δεν έχει τοποθετηθεί σωστά. | ► Τοποθετήστε τον οδηγό καρφιών. → σελίδα 213 |
| Το ελατήριο δεν συμπιέζεται και η ένδειξη κατάστασης ανάβει με κόκκινο χρώμα. | Σφάλμα εργαλείου. | ► Απευθυνθείτε στο σέρβις της Hilti . |
| Το ελατήριο δεν συμπιέζεται, χωρίς ένδειξη κατάστασης | Επαναφορτιζόμενη μπαταρία άδεια. | ► Αντικαταστήστε την επαναφορτιζόμενη μπαταρία. |
| | Η μπαταρία δεν έχει τοποθετηθεί σωστά. | ► Αφαιρέστε την επαναφορτιζόμενη μπαταρία και τοποθετήστε τη σωστά. → σελίδα 213 |
| | Η προστασία βαθιάς εκφόρτισης είναι ενεργή. | ► Αφαιρέστε την επαναφορτιζόμενη μπαταρία και τοποθετήστε τη ξανά. |
| Οδηγός καρφιών κολλημένος σε κατάσταση πίεσης. | Ρύπανση ανάμεσα στον οδηγό καρφιών και στη μύτη του εργαλείου. | ► Καθαρίστε την εσωτερική πλευρά της μύτης του εργαλείου. → σελίδα 217 |

10 Διάθεση στα απορρίμματα



ΠΡΟΕΙΔΟΠΟΙΗΣΗ

Κίνδυνος τραυματισμού από ακατάλληλη διάθεση στα απορρίμματα! Κίνδυνοι για την υγεία από εφερχόμενα αέρια ή υγρά.

- Μην αποστέλλετε επαναφορτιζόμενες μπαταρίες που έχουν υποστεί ζημιά!
- Καλύψτε τις συνδέσεις με ένα μη αγώγιμο υλικό, για να αποφύγετε βραχυκυκλώματα.
- Πετάξτε τις μπαταρίες έτσι ώστε να μην μπορούν να καταλήξουν στα χέρια παιδιών.
- Απορρίψτε την μπαταρία στο **Hilti Store** ή απευθυνθείτε στην αρμόδια επιχείρηση διάθεσης απορριμμάτων.



Τα προϊόντα της **Hilti** είναι κατασκευασμένα σε μεγάλο ποσοστό από ανακυκλώσιμα υλικά. Προϋπόθεση για την ανακύκλωσή τους είναι ο κατάλληλος διαχωρισμός των υλικών. Σε πολλές χώρες, η **Hilti** παραλαμβάνει το παλιό σας εργαλείο για ανακύκλωση. Απευθυνθείτε στο σέρβις της **Hilti** ή στον σύμβουλο πωλήσεων.



- Μην πετάτε τα ηλεκτρικά εργαλεία, της ηλεκτρονικές συσκευές και τις επαναφορτιζόμενες μπαταρίες στον κάδο οικιακών απορριμμάτων!

11 Εγγύηση κατασκευαστή

- Για ερωτήσεις σχετικά με τους όρους εγγύησης απευθυνθείτε στον τοπικό συνεργάτη της **Hilti**.

12 Περισσότερες πληροφορίες

Περισσότερες πληροφορίες για τον χειρισμό, την τεχνολογία, το περιβάλλον και την ανακύκλωση θα βρείτε στον ακόλουθο σύνδεσμο: qr.hilti.com/manual?id=2268212&id=2268213

Στο τέλος αυτής της τεκμηρίωσης θα βρείτε αυτόν τον σύνδεσμο και ως κωδικό QR.



Orijinal kullanım kılavuzu

1 Dokümantasyon verileri

1.1 Bu doküman için

- Çalıştırmadan önce bu dokümanı okuyunuz. Bu, güvenli çalışma ve arızasız kullanım için ön koşuldur.
- Bu dokümanda ve ürün üzerinde bulunan güvenlik ve uyarı bilgilerine dikkat ediniz.
- Kullanım kılavuzunu her zaman ürün üzerinde bulundurunuz ve ürünü sadece bu kılavuz ile birlikte başka kişilere veriniz.

1.2 Resim açıklaması

1.2.1 Uyarı bilgileri

Uyarı bilgileri, ürün ile çalışırken ortaya çıkabilecek tehlikelere karşı uyarır. Aşağıdaki uyarı metinleri kullanılır:

TEHLİKE

TEHLİKE !

- ▶ Ağır vücut yaralanmalarına veya doğrudan ölüme sebep olabilecek tehlikeler için.

İKAZ

İKAZ !

- ▶ Ağır yaralanmalara veya ölüme neden olabilecek tehlikeler için.

DİKKAT

DİKKAT !

- ▶ Vücut yaralanmalarına veya maddi hasarlara yol açabilecek olası tehlikeli durumlar için.

1.2.2 Kullanım kılavuzundaki semboller

Bu kullanım kılavuzunda aşağıdaki semboller kullanılmıştır:



Kullanım kılavuzuna dikkat edilmelidir



Kullanım uyarıları ve diğer gerekli bilgiler



Geri dönüşümlü malzemeler ile çalışma



Elektrikli aletleri ve aküleri evdeki çöplere atmayınız



Hilti Lityum İyon akü



Hilti Şarj cihazı

1.2.3 Resimlerdeki semboller

Resimlerde aşağıdaki semboller kullanılmıştır:

2

Bu sayılar, kullanım kılavuzunun başlangıcındaki ilgili çizime atanmıştır.

3

Numaralandırma, resimdeki çalışma adımlarının sırasını göstermektedir ve metindeki çalışma adımlarından farklı olabilir.

11

Pozisyon numaraları **Genel bakış** resminde kullanılır ve **Ürüne genel bakış** bölümündeki açıklama numaralarına referans niteliğindedir.











Bu işaret, ürün ile çalışırken dikkatinizi çekmek için koyulmuştur.



1.3 Ürüne bağlı semboller

1.3.1 Üründeki semboller

Üründe aşağıdaki semboller kullanılabilir:

| | |
|---|--|
|  | Genel emredici işaretler |
|  | Koruyucu gözlük kullanınız |
|  | Kulaklık kullanınız |
|  | Koruyucu kask kullanınız |
|  | Ürün, iOS ve Android platformları ile uyumlu NFC teknolojisini destekler. |
|  | Lityum İyon akü |
|  | Aküyü asla darbe aleti olarak kullanmayınız. |
|  | Aküyü düşürmeyiniz. Darbe almış veya hasar görmüş bir aküyü kullanmayınız. |

1.4 Ürün bilgileri

HILTI ürünleri profesyonel kullanıcıların kullanımı için öngörülmüştür ve sadece yetkili personel tarafından kullanılabilir ve bakımı yapılabilir. Bu personel, meydana gelebilecek tehlikeler hakkında özel olarak eğitim görmüş olmalıdır. Aletin ve ilgili yardımcı gereçlerin eğitimsiz personel tarafından usulüne uygun olmayan şekilde kullanılması ve amaçları dışında çalıştırılması sonucu tehlikeli durumlar söz konusu olabilir. Tip tanımı ve seri numarası, tip plakası üzerinde belirtilmiştir.

- Seri numarasını aşağıdaki tabloya aktarınız. Ürün bilgileri acente veya servis merkezini aradığınızda sorulabilir.

Ürün bilgileri

| | |
|----------------------|----------------------------------|
| Çivi çakma tabancası | BX 3-22 BX 3-L-22 BX 3-ME-22 |
| Nesil | 03 |
| Seri no. | |

1.5 Uygunluk beyanı

Üretici burada tanımlanan ürünün geçerli yasalara ve standartlara uygun olduğunu kendi sorumluluğunda beyan eder. Bu dokümanın sonunda uygunluk beyanının bir kopyasını bulabilirsiniz.

Teknik dokümantasyonlar eklidir:

Hilti Entwicklungsgesellschaft mbH | Zulassung Geräte | Hiltistraße 6 | 86916 Kaufering, DE

2 Güvenlik

2.1 Elektrikli el aletleri için genel güvenlik uyarıları

⚠ İKAZ Bu elektrikli el aletine yönelik tüm güvenlik uyarılarını, talimatları, resimli açıklamaları ve teknik verileri dikkatlice okuyunuz. Aşağıdaki talimatlara uyulmaması durumunda elektrik çarpması, yangın ve/veya ağır yaralanmalar söz konusu olabilir.

Tüm güvenlik uyarılarını ve kullanım talimatlarını muhafaza ediniz.

Güvenlik uyarılarında kullanılan "Elektrikli el aleti terimi, şebeke işletimli elektrikli el aletleri (şebeke kablosu ile) veya akü işletimli elektrikli el aletleri (şebeke kablosu olmadan) ile ilgilidir.

İş yeri güvenliği

- **Çalışma alanınızı temiz ve aydınlık tutunuz.** Düzensiz veya aydınlatma olmayan çalışma alanları kazalara yol açabilir.
- **Yanıcı sıvıların, gazların veya tozların bulunduğu patlama tehlikesi olan yerlerde elektrikli el aleti ile çalışmayınız.** Elektrikli el aletleri, toz veya buharı yakabilecek kıvılcım oluşturur.



- ▶ **Elektrikli el aletini kullanırken çocukları ve diğer kişileri uzak tutunuz.** Dikkatiniz dağılırsa aletin kontrolünü kaybedebilirsiniz.

Elektrik güvenliği

- ▶ **Elektrikli el aletinin bağlantı fişi prize uygun olmalıdır. Fiş hiçbir şekilde değiştirilmemelidir. Adaptör fişini topraklama korumalı elektrikli el aletleri ile birlikte kullanmayınız.** Değiştirilmemiş fişler ve uygun prizler elektrik çarpması riskini azaltır.
- ▶ **Borular, radyatörler, fırınlar ve buzdolapları gibi toprağa temas eden üst yüzeylere vücudunuzla temas etmekten kaçınınız.** Vücudunuzun toprakla teması var ise yüksek bir elektrik çarpması riski söz konusudur.
- ▶ **Elektrikli el aletini yağmurdan veya ıslaklıktan uzak tutunuz.** Elektrikli el aletine su girmesi, elektrik çarpması riskini artırır.
- ▶ **Elektrikli el aletini taşımak, asmak veya fişi prizden çekmek için bağlantı kablosunu kullanım amacı dışında kullanmayınız.** Bağlantı kablosunu sıcağın, yağdan, keskin kenarlardan ve hareketli parçalardan uzak tutunuz. Hasarlı veya dolanmış bağlantı kabloları elektrik çarpması riskini artırır.
- ▶ **Elektrikli bir el aleti ile açık alanda çalışacaksanız, sadece dışarıda kullanımına izin verilen uzatma kabloları kullanınız.** Dış mekanlar için uygun olan uzatma kablolarının kullanılması elektrik çarpması riskini azaltır.
- ▶ **Elektrikli el aleti işletiminin nemli ortamda yapılması kaçınılmaz ise bir kaçak akım koruma şalteri kullanınız.** Bir kaçak akım koruma şalterinin kullanımı elektrik çarpması riskini azaltır.

Kişilerin güvenliği

- ▶ **Dikkatli olunuz, ne yaptığınızı dikkat ediniz ve elektrikli el aleti ile mantıklı bir şekilde çalışınız.** Yorgunsanız veya uyuşturucu, alkol veya ilaç etkisi altında olduğunuzda elektrikli el aleti kullanmayınız. Elektrikli el aletini kullanırken bir anlık dikkatsizlik ciddi yaralanmalara neden olabilir.
- ▶ **Kişisel koruyucu donanım ve her zaman bir koruyucu gözlük takınız.** Elektrikli el aletinin türüne ve kullanımına göre toz maskesi, kaymayan güvenlik ayakkabısı, koruyucu kask veya kulaklık gibi kişisel koruyucu donanımların kullanılması yaralanma riskini azaltır.
- ▶ **İstem dışı çalışmayı önleyiniz. Güç kaynağına ve/veya aküyü bağlamadan, girişini yapmadan veya taşımadan önce elektrikli el aletinin kapalı olduğundan emin olunuz.** Elektrikli el aletini taşırken parmağınız şalterde ise veya alet açık konumda güç kaynağına takılırsa bu durum kazalara yol açabilir.
- ▶ **Elektrikli el aletini devreye almadan önce ayar aletlerini veya vidalama anahtarlarını çıkartınız.** Dönen bir alet parçasında bulunan bir alet veya anahtar yaralanmalara yol açabilir.
- ▶ **Aşırı bir vücut hareketinden sakınınız. Güvenli bir duruş sağlayınız ve her zaman dengeli tutunuz.** Böylece beklenmedik durumlarda elektrikli el aletini daha iyi kontrol edebilirsiniz.
- ▶ **Uygun kıyafetler giyiniz. Bol kıyafetler giymeyiniz veya takı takmayınız. Saçları, kıyafetleri ve eldivenleri hareket eden parçalardan uzak tutunuz.** Bol kıyafetler, takı veya uzun saçlar hareket eden parçalara takılabilir.
- ▶ **Toz emme ve tutma tertibatları monte edilebiliyorsa bunların bağlı olduğundan ve doğru kullanıldığından emin olunuz.** Bu toz emme tertibatının kullanımı tozdan kaynaklanabilecek tehlikeleri azaltabilir.
- ▶ **Kendi güvenliğinizi riske atmayınız ve elektrikli el aletleri kullanımında son derece tecrübeli olsanız bile ilgili güvenlik kurallarını ihlal etmeyiniz.** Dikkatsiz kullanım saniyeler içerisinde ciddi yaralanmalara neden olabilir.

Elektrikli el aletinin kullanımı ve çalıştırılması

- ▶ **Aleti çok fazla zorlamayın. Çalışmanız için uygun olan elektrikli el aletini kullanın.** Uygun elektrikli el aleti ile bildirilen hizmet alanında daha iyi ve güvenli çalışırsınız.
- ▶ **Şalteri bozuk olan elektrikli el aletini kullanmayınız.** Açılıp kapatılmayan bir elektrikli el aleti tehlikelidir ve tamir edilmesi gerekir.
- ▶ **Alet ayarlarını yapmadan, aksesuar parçalarını değiştirmeden veya aleti bir yere koymadan önce fiş prizden ve/veya (çıkarılabilir) aküyü aletten çıkarınız.** Bu önlem, elektrikli el aletinin istem dışı çalışmasını engeller.
- ▶ **Kullanılmayan elektrikli el aletlerini çocukların erişemeyeceği yerde muhafaza edin. Aleti iyi tanımayan veya bu talimatları okumamış kişilere aleti kullanırmayınız.** Elektrikli el aletleri bilgisiz kişiler tarafından kullanılırsa tehlikelidir.
- ▶ **Elektrikli el aletlerinin ve aksesuarlarının bakımını titizlikle yapınız. Hareketli parçaların kusursuz çalıştığı ve sıkışmadığı, parçaların kırılıp kırılmadığı veya hasar görüp görmediği, elektrikli el aleti fonksiyonlarının kısıtlanma durumlarını kontrol ediniz. Hasarlı parçaları aleti kullanmadan önce tamir ettiriniz.** Birçok kazanın nedeni bakımını kötü yapılan elektrikli el aletleridir.
- ▶ **Kesme aletlerini keskin ve temiz tutun.** Özenle bakımı yapılmış keskin bıçak kenarı olan kesme aletleri daha az sıkışır ve kullanımı daha rahattır.



- ▶ **Elektrikli el aletini, aksesuarları, ek aletleri vb. bu talimatlara göre kullanın. Çalışma şartlarını ve yapılacak işi de ayrıca göz önünde bulundurun.** Elektrikli el aletlerinin öngörülen kullanımı dışında kullanılması tehlikeli durumlara yol açabilir.
- ▶ **Tutamağı ve tutamak yüzeylerini daima temiz ve yağ ve gresten arındırılmış durumda tutunuz.** Kaygan tutamaklar ve tutamak yüzeyleri güvenli bir kullanımı ve öngörülemez durumlarda elektrikli el aletinin kontrolünü engeller.

Akülü el aletinin kullanımı ve çalıştırılması

- ▶ **Aküleri sadece üretici tarafından tavsiye edilen şarj cihazları ile şarj ediniz.** Belirli bir akü için uygun olan bir şarj cihazı, başka akülerle kullanılırsa yanma tehlikesi vardır.
- ▶ **Elektrikli el aletlerinde sadece bunun için öngörülen aküler kullanılmalıdır.** Başka akülerin kullanılması yaralanmalara ve yanma tehlikelerine yol açabilir.
- ▶ **Kullanılmayan aküleri, kontakların köprülenmesine sebep olabilecek ataçlar, madeni paralar, anahtarlar, çiviler, vidalar veya diğer küçük metal cisimlerden uzak tutunuz.** Akü kontakları arasındaki kısa devre yanmalara veya alev oluşumuna sebep olabilir.
- ▶ **Yanış kullanımda aküden sıvı çıkabilir. Bunlar ile teması önleyiniz. Yanlışlıkla temasta su ile durulayınız. Sıvı gözlere temas ederse ayrıca doktor yardımı isteyiniz.** Dışarı akan akü sıvısı cilt tahrişine ve yanmalara yol açabilir.
- ▶ **Hasarlı veya değiştirilmiş aküleri kullanmayınız.** Hasarlı veya değiştirilmiş aküler öngörülemez şekilde yangın, patlama veya yaralanma tehlikesi içeren tutumlara neden olabilir.
- ▶ **Aküleri açık ateş yakına koymayınız veya yüksek sıcaklıklara maruz bırakmayınız.** Açık ateş veya 130°C'nin (265°F) üzerinde sıcaklıklar patlama tehlikesine neden olabilir.
- ▶ **Tüm şarj talimatlarına uyunuz ve aküyü veya akülü aleti kullanım kılavuzunda öngörülen sıcaklık aralığının dışında şarj etmeyiniz.** Hatalı şarj veya öngörülen sıcaklık aralığının dışındaki şarj işlemleri akünün zarar görmesine ve yangın tehlikesine neden olabilir.

Servis

- ▶ **Elektrikli el aletinizi sadece kalifiye uzman personele ve sadece orijinal yedek parçalar ile tamir ettiriniz.** Böylece aletin güvenliğinin korunduğundan emin olunur.
- ▶ **Hasarlı akülere bakım yapmayınız.** Akülere yönelik tüm bakım çalışmaları sadece üretici veya yetkili müşteri hizmetleri tarafından yapılmalıdır.

2.2 Sabitleme aletleri için güvenlik uyarıları

- ▶ **Her zaman elektrikli el aletinin çivi içerdiğini düşünerek hareket ediniz.** Sabitleme aletinin dikkatsizce kullanılması durumunda çivilerin beklenmedik biçimde fırlatılması ve birilerini yaralaması olasıdır.
- ▶ **Elektrikli el aletini hiçbir zaman kendinize veya yakındaki kişilere doğrultmayınız.** Beklenmeyen bir tetikleme durumunda, yaralanmalara neden olabilecek biçimde çivi fırlatılabilir.
- ▶ **İş parçası üzerine yerleştirmeden elektrikli el aletinin tuşuna basmayınız.** Eğer elektrikli el aleti iş parçasına temas etmiyorsa, çivi sabitleme noktasından sekebilir.
- ▶ **Çivi elektrikli el aleti içinde sıkışmışsa elektrikli el aletini şebekeden veya aküden ayırınız.** Sabitleme aleti bağlı ise, sıkışmış bir çivinin yanlışlıkla fırlaması mümkün olabilir.
- ▶ **Sıkışmış bir çivi çıkarırken çok dikkatli olunuz.** Sistemde gerilim olabilir ve sıkışmayı gidermek için çalışırken çivi güçlü biçimde dışarı fırlayabilir.
- ▶ **Elektrikli hatları sabitlerken hatlarda elektriksel gerilim bulunmadığından emin olunuz. Sabitleme aletini sadece izole edilmiş olan tutamak alanlarından tutunuz. Sadece elektrik hatlarının montajına uygun olan çiviler kullanınız. Çivilerin, elektrik hattı izolasyonuna zarar verip vermediğini kontrol ediniz.** Elektrik hatlarının izolasyonuna zarar veren bir çivi, elektrik çarpmasına ve yangın tehlikesine neden olabilir.

2.3 Güvenlik uyarıları

Kullanıcı ile ilgili talepler

- ▶ Bu ürünü sadece yetkili ve eğitimli iseniz kullanabilir veya bakımını yapabilirsiniz.

Kişisel koruyucu donanım

- ▶ Aletin kullanımı sırasında siz veya yakında bulunan kişiler koruyucu gözlük, kulaklık ve bir koruyucu kask kullanınız.

Kişilerin güvenliği

- ▶ Kullanım kılavuzundaki çalıştırma, bakım ve onarım bilgilerine dikkat ediniz.
- ▶ Dikkatli olunuz, ne yaptığınıza dikkat ediniz ve çivi çakma tabancası ile çalışırken bilinçli ve mantıklı bir şekilde hareket ediniz. Eğer yorgunsanız veya uyuşturucu, alkol veya ilaçların etkisi altındaysanız ürünü



kullanmayınız. Ağrılarınız varsa veya kendinizi iyi hissetmiyorsanız çalışmayı durdurunuz. Çivi çakma tabancasının kullanımı esnasında bir anlık dikkatsizlik ciddi yaralanmalara yol açabilir.

- ▶ Uygun olmayan vücut hareketlerinden kaçınınız. Güvenli bir duruş sağlayınız ve her zaman dengeli durunuz.
- ▶ Kaymayan ayakkabı giyiniz.
- ▶ I Çakım kafasını veya sabitleme elemanlarını asla elinizle geri çekmeyiniz.
 - ▶ Çakım kafasının veya sabitleme elemanının elle geri çekilmesi bazı durumlarda ürünün kullanımı hazır hale gelmesine neden olabilir. Kullanımı hazır olması yanlışlıkla vücuda denk gelmesine neden olabilir.
- ▶ Ürünü kullanırken kollarınızı bükünüz (uzatmayınız).
- ▶ Çalışırken başka kişileri özellikle çocukları etki alanından uzak tutunuz.
- ▶ Aletlerin ve/veya aksesuarların düşmesi nedeniyle yaralanma tehlikesi. Çalışmaya başlamadan önce akünün monte edilmiş olan aksesuarın emniyetli bir şekilde sabitlenip sabitlenmediğini kontrol ediniz.
- ▶ Havalandırmaya deliklerini her zaman açık bırakınız. Üzeri kapatılan havalandırma delikleri nedeniyle yanma tehlikesi!
- ▶ Dekupaj teskeresinin ışığına (LED) doğrudan bakmayınız ve ışığı doğrudan başkalarının yüzüne doğru tutmayınız. "Kör olma tehlikesi" vardır.

Çivi çakma tabancalarının özenli çalıştırılması ve kullanımı

- ▶ Zemini delen sabitleme elemanları nedeniyle tehlike! Sabitleme elemanlarının çakılmasından önce, sabitleme elemanının yerleştirileceği bileşenin arkasında veya altında hiç kimsenin bulunmadığından emin olunuz.
- ▶ İlgili çalışma için uygun ürünü kullanınız. Ürünü öngörülen amaçları dışında kullanmayınız, sadece usulüne uygun ve kusursuz bir durumdayken kullanınız.
- ▶ Yüklenmiş bir ürünü asla kontrolsüz bırakmayınız.
- ▶ Temizlik, servis ve bakım çalışmalarından önce, çakım kafasının değiştirilmesi durumunda, çalışmaya ara verildiğinde ve depolama (kartuş ve sabitleme elemanı) sırasında ürünü boşaltınız.
- ▶ Kullanılmayan ürünler boşaltılmalı ve çocukların erişemeyeceği kuru ve kapalı ortamlarda muhafaza edilmelidir.
- ▶ Ürünü ve aksesuarları olası hasarlar bakımından kontrol ediniz. Hareketli parçaların kusursuz çalışıp çalışmadığını ve sıkışıp sıkışmadığını veya parçaların hasarlı olup olmadığını kontrol ediniz.
 - ▶ Bütün parçalar doğru takılmış ve ürünün kusursuz bir şekilde çalışması için tüm koşullar yerine getirilmiş olması gerekir. Kullanım kılavuzunda aksi bir açıklama yapılmamışsa hasarlı parçalar usulüne uygun olarak **Hilti** servisi tarafından onarılmalı veya değiştirilmelidir.
- ▶ Çalışmaya başlamadan önce çalışma alanında üzeri kapatılmış elektrik kablosu, gaz ve su borusu bulunup bulunmadığını kontrol edin. Bir elektrik hattına, bir gaz veya su borusuna zarar verilmesi halinde, ürünün dışındaki metal parçalar elektrik çarpmasına veya patlamaya neden olabilir.
- ▶ Zemin malzemesinde uygun olmayan sabitleme elemanları kullanmayınız.
 - ▶ Aleti uygun olmayan malzemelerde (kaynaklanmış çelik ve dökme çelik, dökme demir, cam, mermer, plastik, bronz, pirinç, bakır, izolasyon malzemesi, delikli tuğla, seramik tuğla, ince saclar (< 4 mm) ve gaz beton) kullanmayınız. Bu malzemelere çakma yapılması durumunda, kırılmalar, dökülmeler veya aşınmalar söz konusu olabilir.
- ▶ Tetiği, ürün sadece tamamen dikey olarak zemine bastırılmışsa çalıştırınız.
- ▶ Ürünü, çivi çakma sırasında her zaman zemine dik açılı konumda tutunuz, bu sayede sabitleme elemanının çakılan zeminden sapmasını engellemiş olursunuz.
- ▶ Tutamakları kuru, temiz ve yağsız ve gressiz bir şekilde tutunuz.
- ▶ Ürünü kesinlikle düşürmeyiniz.
- ▶ Mağazini kesinlikle tutamak olarak kullanmayınız.
- ▶ Ürünü, özellikle uygun olmadığı sürece, yangın ve patlama tehlikesi olan alanlarda kullanmayınız.
- ▶ **Hilti** tarafından özellikle önerilmiyorsa (örn. DX-Kwik), elemanları deliklerde kullanmayınız.

Mekanik güvenlik önlemleri

- ▶ Üründe ve aksesuarlarda, özellikle pistonda manipülasyonlar veya değişiklikler yapmayınız.
- ▶ Sadece ürün için uygun olan ve izin verilen sabitleme elemanlarını kullanınız.

Termik güvenlik önlemleri

- ▶ Önerilen maksimum çakma frekansını aşmayınız.
- ▶ Eğer ürün çok sıcak ise ürünü soğumaya bırakınız.
- ▶ Ürünü sıcakken demonte etmeyiniz. Ürünü soğumaya bırakınız.



2.4 Akülü aletlerin özenli çalıştırılması ve kullanımı

- ▶ **Lityum İyon akülerin kullanılması sırasında aşağıda belirtilen güvenlik uyarılarını dikkate alınız.** Bunlara dikkate alınmaması ciltte tahrişlere, ağır korozif yaralanmalara, kimyasal yanıklara, yangın ve / veya patlamalara neden olabilir.
- ▶ Aküyü sadece teknik olarak kusursuz durumdayken kullanınız.
- ▶ Hasarları önlemek için ve sağlığa ciddi zarar verici sıvıları engellemek için aküleri itinalı davranınız!
- ▶ Akülere asla müdahale edilmemeli ve üzerlerinde onarım yapılmamalıdır!
- ▶ Aküler parçalarını ayrılmamalı, ezilmemeli, 80°C (176°F) üzerine ısıtılmamalı veya yakılmamalıdır.
- ▶ Darbeye maruz kalmış veya başka bir hasar görmüş aküleri kullanmayınız. Akülerinizi hasar belirtilerine karşı düzenli olarak kontrol ediniz.
- ▶ Geri dönüştürülmüş veya onarılmış aküleri asla kullanmayınız.
- ▶ Aküyü veya aküyle çalışan bir elektrikli el aletini asla bir şeyi çakmak veya bir şeyi vurmak için kullanmayınız.
- ▶ Aküleri asla doğrudan güneş ışığına, aşırı sıcaklık, kıvılcım veya açık ateşe maruz bırakmayınız. Bu durum patlamalara neden olabilir.
- ▶ Akünün kutbuna parmaklarınız, aletler, takılar veya diğer elektrikselsel olarak iletken nesnelere dokunmayınız. Bu durum aküye hasar verebilir, maddi hasarlara ve yaralanmalara neden olabilir.
- ▶ Aküleri yağmurdan, ıslaklıktan ve sıvılardan uzak tutunuz. Akülerin içine nemin girmesi, kısa devrelere, elektrik çarpmalarına, yanıklara, yangına veya patlamalara neden olabilir.
- ▶ Sadece akü tipi için öngörülmüş olan şarj cihazlarını ve elektrikli el aletlerini kullanınız. Bunun için ilgili kullanım kılavuzlarındaki verileri dikkate alınız.
- ▶ Aküyü patlama tehlikesi olan ortamlarda kullanmayınız veya depolamayınız.
- ▶ Akü tutulamayacak kadar sıcaksa arızalı olabilir. Pili, yanıcı malzemelere yeterli mesafede, görünür ve yanıcı olmayan bir yere yerleştiriniz. Aküyü soğumaya bırakınız. Akü bir saat sonra hala dokunulamayacak kadar sıcaksa, arızalı demektir. **Hilti** servisiyle irtibat kurunuz veya "**Hilti** Lityum İyon aküler için güvenlik ve kullanım uyarıları" dokümanını okuyunuz.

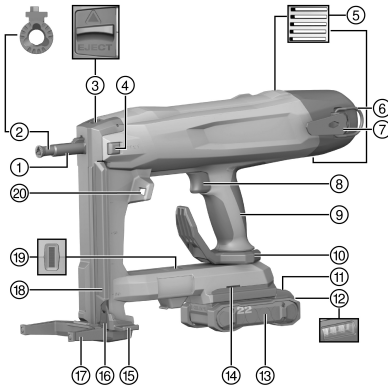


Lityum İyon aküleri taşıma, depolama ve kullanma için geçerli özel yönetmelikleri dikkate alınız.

Bu kullanım kılavuzunun sonundaki QR kodu tarayarak ulaşabileceğiniz, **Hilti** Lityum İyon aküler için güvenlik ve kullanım uyarılarını okuyunuz.

3 Tanımlama

3.1 Ürüne genel bakış



- ① Alet ucu
- ② Çakım kafası
- ③ Çakım kafası kilidi
- ④ Tekli çakma düğmesi (BX 3-ME-22)
- ⑤ Havalandırma delikleri
- ⑥ Alet kordonu için askı deliği
- ⑦ Kemer kancası
- ⑧ Güvenlik tetikleyicisi
- ⑨ Tutamak
- ⑩ Kemer kancası/iskele halkası
- ⑪ Akü kilit açma tuşu
- ⑫ Akü durum göstergesi
- ⑬ Lityum İyon akü
- ⑭ Aksesuar için montaj aralığı
- ⑮ Çivi iticisi
- ⑯ Çivi itici kilidini açma düğmesi
- ⑰ Destek ayağı
- ⑱ Magazin
- ⑲ Çivi çakma tabancası durum göstergesi
- ⑳ Çalışma alanı aydınlatması



3.1.1 Donanım

Çakım kafası ve destek ayağı ürüne bağlıdır. Aşağıdaki tabloda, üründeki destek ayağı ve çakım kafası gösterilmiştir.

Ayrıntılı bilgi için bkz. Çanta kapağı, **Hilti Store** veya: www.hilti.group

| Ürün | BX 3-22 | BX 3-L-22 | BX 3-ME-22 |
|--------------|---------------|---------------|---------------|
| Çakım kafası | X-FG B3 IF 02 | X-FG B3 IF 02 | X-FG B3 ME |
| Destek ayağı | X-SL B3 03 | X-SL B3 03 | X-SL B3 ME 03 |

3.2 Usulüne uygun kullanım

Ürün, elle kumanda edilen, aküyle işletilen bir çivi çakma tabancasıdır. Özel olarak üretilmiş sabitleme elemanlarının betona, çeliğe, duvara, kum-kireç tuğlasına ve doğrudan montaj için uygun diğer zeminlere çakılması için kullanılır. Bu ürün ayrıca uygun sabitleme elemanları kullanıldığı takdirde, elektrik kablolarının klipsler ile sabitlenmesi için de kullanılabilir. Sadece izin verilen sabitleme elemanlarını ve sadece bunu için belirlenmiş çakım kafaları ile birlikte kullanınız (bkz. Bölüm "Teknik veriler").

Çivi çakma tabancası, akü ve sabitleme elemanları bir teknik birim oluşturur. Yani bu çivi çakma tabancasıyla sorunsuz bir sabitleme işlemi ancak, alet için özel olarak üretilmiş olan **Hilti** sabitleme elemanlarının ve **Hilti** tarafından tavsiye edilen şarj cihazları ve akülerin kullanılması durumunda gerçekleştirilebilir. **Hilti** tarafından belirtilen sabitleme ve uygulama önerileri ancak, bu koşulların sağlanması durumunda geçerlidir.

- ▶ Çivi çakma tabancası sadece manuel olarak kullanılabilir.
- ▶ Hatalı uygulamalardan kaçınılmalıdır. Çok yumuşak zemin (örneğin ahşap) üzerine veya çok sert zemin (örneğin mukavemeti yüksek çelik veya çok sert doğal taş) üzerine yerleştirmek hatalı uygulama olarak kabul edilir.
- Bu ürün için sadece B 22 tip serisi **Hilti** Nuron Lityum İyon aküleri kullanınız. Optimum performans için **Hilti**, bu ürüne yönelik olarak bu kullanım kılavuzunun sonundaki tabloda belirtilen akülerin kullanılmasını önerir.
- Bu aküler için sadece **Hilti** şarj cihazlarının bu kullanım kılavuzunun sonundaki tabloda belirtilen tip serilerini kullanınız.

3.3 Emniyet tertibatları

Magazın işletiminde çivi dedektörü, yanlış çakmaları ve böylece çivi çakma tabancasının hasar görmesini engeller.

Baskı emniyeti çivilerin boşluğa çakılmasını engeller. Çivi çakma tabancası, magazın işletiminde sadece yerleştirilmiş çiviyle bastırılabilir ve tetiklenebilir.

3.4 Donanım özellikleri

Çivi çakma tabancası ergonomik, kaymaz ve titreşimleri sönmöleyen bir tutamak, bir kemer ve iskele kancası ve bir destek ayağına sahiptir. Bu çivi çakma tabancası elektronik bir zorlanma emniyeti ile aşırı yüklenmeye ve bir sıcaklık denetimi ile aşırı ısınmaya karşı korumalıdır.

3.5 Çivi çakma tabancası durum göstergesi

Çivi çakma tabancası durum göstergesi, çivi çakma tabancasının mevcut durumları hakkında bilgi verir.

| Durum | Anlamı |
|--|--|
| LED kapalı | Çivi çakma tabancası kapalı |
| LED yeşil yanıyor. | Çivi çakma tabancası açık ve çivi çakmaya hazır |
| LED yeşil yanıp sönmüyor. | Akü çok sıcak veya akü çok zayıf |
| LED 3 saniye aralıklarla yeşil yanıp sönmüyor. | Çivi çakma tabancası bekleme (Stand-by) modunda, aletin ucuna bastırarak çivi çakma tabancasını açar |
| LED mavi yanıyor. | Çivi çakma tabancası açıldı, çivi şartları yerleştirilmelidir |
| LED mavi yanıp sönmüyor. | Çivi çakma tabancası açıldı, magazın tamamen boş |
| LED sarı yanıp sönmüyor. | Çivi çakma tabancası çok sıcak, arıza tablosuna bakınız |
| LED kırmızı yanıp sönmüyor. | Alet arızası, bkz. Arıza Tablosu |



| Durum | Anlamı |
|----------------------|----------------------------------|
| LED kırmızı yanıyor. | Alet arızası, bkz. Arıza Tablosu |

3.6 Lityum İyon akü göstergeleri

Hilti Nuron Lityum İyon aküler şarj durumunu, hata mesajlarını ve akünün durumunu gösterebilir.

3.6.1 Şarj durumu ve hata mesajları göstergeleri



Düşen akü nedeniyle yaralanma tehlikesi!

- Akü takılıken, kilit açma tuşuna bastıktan sonra, kullandığınız üründe akünün yerine oturduğundan emin olunuz.

Aşağıdaki göstergelerden birini görüntülemek için akünün kilit açma tuşuna kısa süreli basınız. Bağlı olan ürün açık olduğu sürece, şarj durumu ve olası arızalar da sürekli görüntülenir.

| Durum | Anlamı |
|--|---|
| Dört (4) LED sürekli yeşil yanıyor | Şarj durumu: % 100 ila % 71 arası |
| Üç (3) LED sürekli yeşil yanıyor | Şarj durumu: % 70 ila % 51 arası |
| İki (2) LED sürekli yeşil yanıyor | Şarj durumu: % 50 ila % 26 arası |
| Bir (1) LED sürekli yeşil yanıyor | Şarj durumu: % 25 ila % 10 arası |
| Bir (1) LED yavaşça yeşil renkte yanıp sönüyor | Şarj durumu: < % 10 |
| Bir (1) LED hızlıca yeşil yanıp sönüyor | Lityum İyon akü tamamen deşarj olmuş. Aküyü şarj ediniz. Akünün şarj işleminden sonra LED hala hızlı yanıp sönüyorsa, lütfen Hilti servisiyle irtibat kurunuz. |
| Bir (1) LED hızlıca sarı yanıp sönüyor | Lityum İyon akü veya buna bağlı ürün aşırı yüklenmiş, çok sıcak, çok soğuk veya başka bir hata mevcut. Ürünü ve aküyü önerilen çalışma sıcaklığına getiriniz ve kullanırken ürünü aşırı yüke maruz bırakmayınız. Mesaj devam ediyorsa Hilti servisiyle irtibat kurunuz. |
| Bir (1) LED sarı yanıyor | Lityum İyon akü ve bağlantılı ürün uyumlu değildir. Lütfen Hilti servisine başvurunuz. |
| Bir (1) LED hızlıca kırmızı yanıp sönüyor | Lityum İyon akü bloke olmuş ve kullanılamaz. Lütfen Hilti servisine başvurunuz. |

3.6.2 Akü durumunun göstergeleri

Akü durumunu sorgulamak için, kilit açma tuşuna üç saniyeden fazla basılı tutunuz. Sistem; düşme, delinme, harici ısı hasarları vb. gibi usulüne uygun olmayan kullanım nedeniyle pilde potansiyel hatalı fonksiyon algılamıyor.

| Durum | Anlamı |
|--|---|
| Tüm LED'ler çalışma ışığı olarak yanıyor ve ardından bir (1) LED sürekli yeşil yanıyor. | Akü kullanımına devam edilebilir. |
| Tüm LED'ler çalışma ışığı olarak yanıyor ve ardından bir (1) LED hızlıca sarı yanıp sönüyor. | Akünün durumuna ilişkin sorgu tamamlanmadı. İşlemi tekrarlayınız veya Hilti servisiyle irtibat kurunuz. |
| Tüm LED'ler çalışma ışığı olarak yanıyor ve ardından bir (1) LED sürekli kırmızı yanıyor. | Bağlı bir ürünün kullanımına devam edilebiliyorsa, kalan akü kapasitesi %50'nin altındadır. Bağlı bir ürünün kullanımına devam edilemiyorsa, akünün kullanım ömrü dolmuştur ve akü değiştirilmelidir. Lütfen Hilti servisine başvurunuz. |



3.7 Bluetooth® (opsiyonel)

Bluetooth® işareti ve sembolleri (logoları) Bluetooth SIG, Inc.'nin tescilli ticari markaları ve mülkiyetidir. Bu işaretin/sembolün Hilti anonim şirketi tarafından herhangi bir şekilde kullanılması lisansa tabidir.

3.7.1 Usulüne uygun kullanım

Bu ürün bir Bluetooth® Düşük Enerji Modülü ile donatılmıştır, bu modül bir elektrikli el aletinin durum kontrolünün yanı sıra Bluetooth® kablosuz teknolojisine dayalı ayarların ve verilerin aktarılmasını sağlar. Bu sayede iki Bluetooth uyumlu ürünün kısa bir mesafede birbirleriyle iletişim kurabileceği kablosuz bir veri aktarımı sağlanır. Bu ürün, mobil telefonlar ve Hilti ağ geçitleriyle iletişim ve veri aktarımı sağlamak için geliştirilmiştir. Ürün, alıcı son cihazın konumu, çalışma süresi, toplam uygulama sayısı, aralıktaki uygulama sayısı ve iletimin zaman damgası gibi veri özelliklerini gönderebilir. İlgili Hilti uygulamasında (App) veya kullanılan elektrikli el aletinin kullanım kılavuzunda, sunulan bağlantı fonksiyonları hakkında bilgileri bulabilirsiniz.

3.7.2 Bluetooth® üzerinden veri aktarımı

Gönderme aralığı, ürünün mevcut enerji kaynağına bağlı olarak değişebilir. Erişim mesafesi, kullanılan alıcı alet de dahil olmak üzere dış koşullara bağlı olarak büyük ölçüde değişiklik gösterebilir. Kapalı mekanlarda ve metal içerikli engeller olduğunda (örn. duvarlar, raflar, takım çantaları vb.) Bluetooth® erişim mesafesi önemli ölçüde kısalabilir. Ortama bağlı olarak, elektrikli el aleti tanınmadan önce birden çok gönderim aralığı gerekebilir.

Elektrikli el aleti tanınmazsa, aşağıdakileri kontrol ediniz:

Son cihaz çok mu uzakta?

→ Mobil son cihaz ile elektrikli el aleti arasındaki mesafeyi azaltınız

3.7.3 Uygulamanın yüklenmesi ve kurulması

Bağlantı fonksiyonlarını kullanabilmek için önce ilgili Hilti uygulamasını yüklemelisiniz.

(1.) Uygulamayı, ilgili uygulama mağazasından indiriniz.



İlgili uygulama mağazası için bir kullanıcı hesabı gerekir.

(2.) Uygulamayı ilk kez başlattıktan sonra, lütfen hesabınızla giriş yapınız veya kayıt olunuz.

(3.) Mobil son cihazınızın ekranı, elektrikli el aletini mobil son cihaza bağlamak için gerekli tüm diğer adımları gösterir.



Önce uygulamanın öğreticisini tamamlayınız. Bu sayede, bağlantı işlemi ve bağlantı fonksiyonlarının kullanımı hakkında daha iyi bir genel bakış elde edersiniz.

3.8 Derin deşarj koruması

Ürün, lityum iyon akülerin derin deşarja karşı korunması için derin uyku moduna sahiptir. Böylece akünün bitmesi engellenir.

- Derin deşarj koruması 360 dakika sonra etkinleştirilir.
- Derin deşarj korumasını devre dışı bırakmak için aküyü çıkarıp tekrar takınız.

3.9 Teslimat kapsamı

Çivi çakma tabancası , Kullanım Kılavuzu.

Ürün için izin verilen diğer sistem ürünlerini Hilti Store'da veya şu adreste bulabilirsiniz: www.hilti.group

4 Teknik veriler

| | BX 3-22 | BX 3-L-22 | BX 3-ME-22 |
|---|-----------------|-----------------|-----------------|
| EPTA Procedure 01 uyarınca aküsüz ağırlık | 3,5 kg | 3,5 kg | 3,4 kg |
| Magazinlenmiş çivi uzunluğu | 14 mm ... 30 mm | 14 mm ... 36 mm | 14 mm ... 24 mm |



| | BX 3-22 | BX 3-L-22 | BX 3-ME-22 |
|--|-------------------------|-------------------------|-------------------------|
| Tekli çakma için çivi uzunluğu | •/• | •/• | 30 mm ... 36 mm |
| Uç çapı | 3 mm | 2,75 mm ... 3,0 mm | 3 mm |
| Magazin kapasitesi | 30 çivi | 30 çivi | 20 çivi |
| Baskı yolu | 12 mm | 12 mm | 12 mm |
| Temas kuvveti | 50 N ... 70 N | 50 N ... 70 N | 50 N ... 70 N |
| Oda sıcaklığında önerilen maksimum çakma frekansı | 700/saat | 700/saat | 700/saat |
| Nominal gerilim | 21,6 V | 21,6 V | 21,6 V |
| Maksimum ışın yayma gücü Bluetooth® | 8 dBm | 8 dBm | 8 dBm |
| Bluetooth frekans alanı | 2.402 MHz ... 2.480 MHz | 2.402 MHz ... 2.480 MHz | 2.402 MHz ... 2.480 MHz |
| Depolama sıcaklığı | -20 °C ... 70 °C | -20 °C ... 70 °C | -20 °C ... 70 °C |
| İşletim sırasındaki ortam sıcaklığı | -17 °C ... 60 °C | -17 °C ... 60 °C | -17 °C ... 60 °C |

4.1 Akü

| | |
|--|--|
| Akü çalışma gerilimi | 21,6 V |
| Akü ağırlığı | Bu kullanım kılavuzunun sonuna bakınız |
| İşletim sırasındaki ortam sıcaklığı | -17 °C ... 60 °C |
| Depolama sıcaklığı | -20 °C ... 40 °C |
| Şarj başlangıcında akü sıcaklığı | -10 °C ... 45 °C |

4.2 EN 62841 uyarınca ses bilgisi ve titreşim değerleri

Bu talimatlarda belirtilen ses basıncı ve titreşim değerleri, ilgili normlara uygun bir ölçüm metodu ile ölçülmüştür ve elektrikli el aletlerinin birbirleri ile karşılaştırılması için kullanılabilir. Zorlanmaların geçici olarak değerlendirilmesine de uygundur.

Belirtilen değerler, elektrikli el aletinin ana kullanım alanlarını temsil eder. Elektrikli el aletinin, farklı ek aletlerle veya yetersiz bakım yapılmış şekilde kullanılması durumunda, veriler sapma gösterebilir. Bu durum, toplam çalışma süresi boyunca zorlanmayı belirgin şekilde yükseltebilir.

Doğru bir zorlanma değerlendirmesi için aletin kapatıldığı veya çalışır konumda olduğu ve ayrıca kullanımda olmadığı zamanlar da dikkate alınmalıdır. Bu durum, toplam çalışma süresi boyunca zorlanmayı belirgin şekilde azaltabilir.

Kullanıcıyı ses ve/veya titreşimin etkilerinden koruyacak ek güvenlik önlemleri belirleyiniz, örneğin: Elektrikli el aletinin ve ek aletlerin bakımının yapılması, ellerin sıcak tutulması, iş akışlarının düzenlenmesi.

Ses bilgisi

| | | BX 3-22 | BX 3-L-22 | BX 3-ME-22 |
|---|--------------|----------------|------------------|-------------------|
| Standart olarak A sınıfı olarak değerlendirilen emisyon ses gücü seviyesi (çivileri çakarken) (L_{WA}) | Beton | 96 dB | 96 dB | 96 dB |
| | Çelik | 100 dB | 100 dB | 100 dB |
| Standart olarak A sınıfı olarak değerlendirilen emisyon ses basıncı seviyesi (çivileri çakarken) (L_{pA}) | Beton | 85 dB | 85 dB | 85 dB |
| | Çelik | 89 dB | 89 dB | 89 dB |
| Belirlenen ses seviyesi için emniyetsizlik (K_{WA}, K_{pA}) | | 3 dB | 3 dB | 3 dB |



Tek eksenli titreşim toplam değerleri (z yönünde)

| | | BX 3-22 | BX 3-L-22 | BX 3-ME-22 |
|--|--------------|-----------------------|-----------------------|-----------------------|
| B22 55 akü ile titreşim emisyon değeri (çivileri çakarken) (a _h) | Beton | 2,5 m/sn ² | 2,5 m/sn ² | 2,5 m/sn ² |
| | Çelik | 3,3 m/sn ² | 3,3 m/sn ² | 3,3 m/sn ² |
| B22 85 akü ile titreşim emisyon değeri (çivileri çakarken) (a _h) | Beton | 2,9 m/sn ² | 2,9 m/sn ² | 2,9 m/sn ² |
| | Çelik | 3,5 m/sn ² | 3,5 m/sn ² | 3,5 m/sn ² |
| Emniyetsizlik (K) | | 1,5 m/sn ² | 1,5 m/sn ² | 1,5 m/sn ² |

5 Çalışma hazırlığı**⚠ İKAZ****Yaralanma tehlikesi kazara çalışmaya başlama nedeniyle!**

- ▶ Aküyü takmadan önce ilgili ürünün kapalı konumda olduğundan emin olunuz.
- ▶ Cihazın ayarlarını yapmadan veya aksesuarları değiştirmeden önce aküyü çıkartınız.

Bu dokümanda ve ürün üzerinde bulunan güvenlik ve uyarı bilgilerine dikkat ediniz.

5.1 Akünün şarj edilmesi

1. Şarj etmeden önce şarj cihazının kullanım kılavuzunu okuyunuz.
2. Akü ve şarj cihazının kontaklarının temiz ve kuru olmasına dikkat ediniz.
3. Aküyü izin verilen şarj cihazında şarj ediniz. → Sayfa 226

5.2 Akünün yerleştirilmesi**⚠ İKAZ****Yaralanma tehlikesi kısa devre veya akünün düşmesi nedeniyle!**

- ▶ Aküyü yerleştirmeden önce, akü kontaklarında ve ürün içindeki kontaklarda yabancı cisim bulunmadığından emin olunuz.
 - ▶ Akünün her zaman tam oturduğundan emin olunuz.
1. İlk kullanım öncesinde akü tamamen şarj edilmelidir.
 2. Aküyü ürüne, duyulur şekilde yerine oturana kadar itiniz.
 3. Akünün alette emniyetli bir şekilde yerleşip yerleşmediğini kontrol ediniz.

5.3 Akünün çıkartılması

1. Akünün serbest bırakma düğmelerine basınız.
2. Aküyü üründen çıkartınız.

5.4 Çakım kafasının sökülmesi

1. Çivi iticisini, yerine oturana kadar aşağı doğru çekiniz.
2. Magazini boşaltınız. → Sayfa 233
3. Çakım kafası kilidini ok yönünde dayanak noktasına kadar itiniz.
 - ▶ Çakım kafası serbest kalır.
4. Çakım kafasını çıkartınız.

5.5 Çakım kafasının takılması

1. Çivi iticisini, yerine oturana kadar aşağı doğru çekiniz.
2. Magazini boşaltınız. → Sayfa 233
3. Çakım kafası kilidini ok yönünde dayanak noktasına kadar itiniz ve bu pozisyonda tutunuz.
4. Çakım kafasını duyulur biçimde yerine oturana kadar aletin burnuna doğru itiniz.
5. Çakım kafası kilidini serbest bırakınız.
 - ▶ Çakım kafası kilidi orta konuma gelir.
6. Çakım kafasından çekerek yerine oturup oturmadığını kontrol ediniz.



5.6 Kemer ve iskele kancası ile güvenli çalışma 2

- ▶ Çalışmaya başlamadan önce, kemer/iskele kancasının ürüne güvenli bir şekilde sabitlendiğinden emin olunuz.
- ▶ Kemer/iskele kancasını sadece gerektiği kadar kullanınız. Uzun bir süre kullanmayacaksınız ürünü güvenli bir yerde muhafaza ediniz.

5.7 Devrilme emniyeti 3

İKAZ

Yaralanma tehlikesi aletin ve/veya aksesuarın yere düşmesi nedeniyle!

- ▶ Sadece ürününüz için tavsiye edilen **Hilti** alet bağlama ipini kullanınız.
- ▶ Her kullanımdan önce alet bağlama ipinin sabitleme noktasını olası hasarlar bakımından kontrol ediniz.
- ▶ Kemer kancasına herhangi bir alet bağlama ipi sabitlemeyiniz. Kemer kancasını ürünü kaldırmak için kullanmayınız.



Yüksekteki çalışmalar için ulusal yönetmelikleri dikkate alınız.

Bu ürün için devrilme emniyeti olarak sadece **Hilti** alet kordonunu #2261970 kullanınız.

- ▶ Aletin kordonunu resimde gösterildiği gibi karabina kancasıyla ürüne sabitleyiniz. Karabinin taşıyıcı yapıya sağlam bir şekilde sabitlenmiş olup olmadığını kontrol ediniz.
- ▶ İkinci karabina kancasını bir taşıyıcı yapıya sabitleyiniz. Karabinin taşıyıcı yapıya sağlam bir şekilde sabitlenmiş olup olmadığını kontrol ediniz.



Hilti alet kordonu kullanım kılavuzlarını dikkate alınız.

5.8 Magazin işletimi için çivi takılması 4

DİKKAT

Ezilme tehlikesi! Çivi iticinin geri sekmesi yaralanmalara neden olabilir ve çivi çakma tabancasında hasara neden olabilir.

- ▶ Çivi iticisi aşağı çekerken yerine tam olarak oturduğundan emin olunuz. Çivi iticinin geri sekmesine izin vermeyiniz.
1. Çivi iticisini, yerine oturana kadar aşağı doğru çekiniz.
 2. Çivi şeridini magazine yerleştiriniz (her birinde 10 çivi bulunan azami 3 şerit).
 3. Çivi iticisini sabit tutunuz ve çivi iticisi kilit açma tuşuna basınız.
 4. Bir çiviye temas eden kadar çivi iticisini geriye itiniz.

5.9 Tekli çakma işletimi için çivi takılması

BX 3-ME-22

DİKKAT

Ezilme tehlikesi! Çivi iticinin geri sekmesi yaralanmalara neden olabilir ve çivi çakma tabancasında hasara neden olabilir.

- ▶ Çivi iticisi aşağı çekerken yerine tam olarak oturduğundan emin olunuz. Çivi iticinin geri sekmesine izin vermeyiniz.
1. Çivi iticisini, yerine oturana kadar aşağı doğru çekiniz.
 2. Çivi şeridini magazinden çıkartınız ve magazin boş olduğundan emin olunuz.



Tekli çakma modunda çivi çakmadan önce tüm çivileri magazinden çıkarmazsanız çivi çakma tabancası hasar görebilir.

3. Çivi iticisini sabit tutunuz ve çivi iticisi kilit açma tuşuna basınız.
4. Çivi iticisini geri çekiniz.



5. Çiviyi, çakım kafasındaki öngörülen oyuğa yerleştiriniz. Daha sonra opsiyonel olarak izin verilen bir sabitleme elemanını çakım kafasına yerleştirebilirsiniz.



Çakım kafasına birden fazla çivinin yerleştirilmesi çivi çakma tabancasının hasar görmesine neden olabilir. Tekli çakma modunda çakım kafasına en fazla bir çivi yerleştirilmelidir.

6. Tekli çakma şalterine basınız.

- Tekli çakma şalteri duyulur biçimde yerine oturur.



Çivi itici birkaç santimetre aşağı çekilirse, tekli çakma şalteri yeniden serbest kalır.

6 Kullanım

Bu dokümanda ve ürün üzerinde bulunan güvenlik ve uyarı bilgilerine dikkat ediniz.

6.1 Destek ayağının kullanımı

Düz bir yüzeyde destek ayağı sayesinde çivi çakma tabancasının dik biçimde yerleştirilmesi kolaylaşır, çünkü sadece yanal yönde dik konumlandırmaya dikkat etmek yeterli olur. Düz olmayan zeminlerde, çakım kafasını dik açılı olarak zemine hizalamak için destek ayağını içe katlamak gerekebilir.

6.1.1 Destek ayağının kapatılması

1. Kilit konumundan çözmek için destek ayağına bastırınız.
2. Destek ayağını geriye döndürünüz.

6.1.2 Destek ayağının açılması



DİKKAT

Ezime tehlikesi! Destek ayağının döndürülmesi sırasında parmakların gövde ile destek ayağı arasında sıkışma tehlikesi vardır.

- Destek ayağını döndürürken çivi çakma tabancasını tutamaktan kavrınız.

1. Destek ayağını öne doğru döndürünüz.
2. Açılmış konumda kilitlemek için destek ayağına aşağıdan bastırınız.

6.2 Bluetooth'un (opsiyonel) kapatılması

- Çivi çakma tabancasını 10 saniye boyunca zemine bastırınız.
- 6 saniye sonra yay elemanı duyulur şekilde gevşetilir (çivi çakma tabancasına 4 saniye daha baskı uygulayınız).
 - Durum göstergesi 3 kez mavi renkte yanıp söner.
 - 3 kez motor sesi duyulur.
 - Artık veri iletimi mümkün değildir.



Bluetooth kullanımına izin verilmeyen, (hastane gibi) hassas bir ortamda bulunmanız halinde, Bluetooth'un etkinliğini kaldırınız.

Bluetooth'u tekrar açmak için aküyü çıkarınız ve tekrar takınız.

6.3 Çivi çakma tabancasının açılması / kapatılması

6.3.1 Çivi çakma tabancasının açılması



İKAZ

Yaralanma tehlikesi! Çivi çakma tabancasının vücudun herhangi bir kısmına doğru bastırılması, bir çakma işleminin istenmeden tetiklenmesi sonucu ağır yaralanmalara neden olabilir.

- **Çivi çakma tabancasını hiç bir zaman elinize veya vücudunuzun başka bir organına doğru bastırmayınız.**

1. Magazin işletiminde, magazini doldurunuz. → Sayfa 231



2. Aküyü yerleştiriniz. → Sayfa 230
- ▶ Durum göstergesi yavaşça yeşil renkte yanıp söner.



Düşük akü performansı ile işletim sırasında akü hücreleri zarar görmeden önce çivi çakma tabancası kendini kapatır.

3. Açmak için çivi çakma tabancasını uygun bir zemine bastırınız.
- ▶ Çivi çakma tabancası beslenir.
 - ▶ Durum göstergesi yeşil yanar.

6.3.2 Çivi çakma tabancasının kapatılması

- ▶ Aküyü çıkarınız. → Sayfa 230
- ▶ Yay elemanı duyulur şekilde gevşer ve durum göstergesi söner.



6 dakika sonra çivi çakma tabancası, çivi çakma tabancasının kapanmak üzere olduğunu göstermek için bir motor sesi üretir. İlgili uyarıdan sonra, çivi çakma tabancası otomatik olarak kapanır.

6.4 Çakma işleminin yapılması



İKAZ

Düşen akü nedeniyle zemini delen sabitleme elemanları nedeniyle!

- ▶ Sabitleme elemanlarının çakılmasından önce, sabitleme elemanının yerleştirileceği bileşenin arkasında veya altında hiç kimsenin bulunmadığından emin olunuz.



İKAZ

Etrafta uçuşan parçalar yaralanma tehlikesine yol açar! Çivileme sırasında zeminden sıçrayan malzemeler ve etrafa saçılan çivi setleri nedeniyle vücudunuz ve gözleriniz için yaralanma tehlikesi vardır.

- ▶ **Kişisel koruyucu donanımın yanı sıra her zaman bir koruyucu gözlük ve koruyucu eldiven takınız.** Çevredeki diğer kişiler de koruyucu gözlük ve koruyucu kask takmalıdır.



İKAZ

Yaralanma tehlikesi! Çivi çakma tabancasının vücudun herhangi bir kısmına doğru bastırılması, bir çakma işleminin istenmeden tetiklenmesi sonucu ağır yaralanmalara neden olabilir.

- ▶ **Çivi çakma tabancasını hiç bir zaman elinize veya vücudunuzun başka bir organına doğru bastırmayınız.**

1. İşe başlamadan önce, deneme amaçlı olarak 2 sabitleme elemanını zemininize çakınız.
2. Çivi çakma tabancasını dik açılı olarak zeminin üzerine doğrultunuz ve çakım kafasını dayanak noktasına kadar bastırınız.
 - ▶ Çivi çakma tabancası açılır.
3. Güvenlik tetikleyicisine basıldığında çakma işlemi gerçekleştirilir.
4. Çakma işleminden sonra çivi çakma tabancasını zeminden temas kalmayacak şekilde kaldırınız.



Çakım kafasının bir zemine 6 saniyeden uzun süre bastırılmış ve sonrasında çakma işlemi gerçekleştirilmemiş olması halinde, çivi çakma tabancası otomatik olarak bekleme moduna geçer. Çivi çakma tabancası, alet ucunun yeniden zemine yerleştirilmesiyle tekrar şarj edilir.

6.5 Magazın işletiminde çivinin çıkarılması

1. Çivi iticisini, yerine oturana kadar aşağı doğru çekiniz.
2. Çiviyi, magazinden aşağı doğru iterek çıkarınız.
3. Çivi iticisini sabit tutunuz ve çivi iticisi kilit açma tuşuna basınız.
4. Çivi iticisini başlangıç konumuna geri itiniz.



6.6 Sıkışmış çivilerin gevşetilmesi

⚠ İKAZ

Yaralanma tehlikesi ve çivi çakma tabancasının hasar görme tehlikesi. Önerilen **Hilti** orijinal aksesuarlarının haricinde uygun olmayan parçaların kullanılması yaralanmalara ve çivi çakma tabancasının hasar görmesine neden olabilir.

- ▶ Sıkışan çivileri çıkartmak için sadece tavsiye edilen sıkışma çözme setini kullanınız.

⚠ İKAZ

Etrafta uçuşan parçalar yaralanma tehlikesine yol açar! Çakım kafası çevresinde yabancı maddeler bulunuyorsa veya sabitleme elemanları çakım kafasına sıkışmış ise bir çakma işlemi, etrafta uçuşan parçalar nedeniyle yaralanmalara yol açabilir.

- ▶ Çivi çakma tabancasındaki arızaları, kesinlikle çakma işlemini tetikleyerek gidermeye çalışmayınız!



Münferit çivilerin çakım kafası içinde sıkışması mümkündür. Sıkışma çözme seti X-NP yardımcıyla sıkışmış çivileri çakım kafasından çıkartabilirsiniz. Aksesuarları **Hilti** Store'da veya online olarak www.hilti.group adresinde bulabilirsiniz.

1. Çakım kafasını çıkarınız (bkz. → Sayfa 230).
2. Çakım kafasını, sıkışma açma setinin bağlama kovanına takınız.
3. Sıkışmış çiviyi sıkışma açma setinin yardımıyla ve bir çekici ile çakım kafasından çıkartınız.
4. Çakım kafasını yerleştiriniz (bkz. → Sayfa 230).

7 Bakım ve onarım

⚠ İKAZ

Takılı aküden dolayı yaralanma tehlikesi !

- ▶ Tüm bakım ve onarım çalışmalarından önce her zaman aküyü çıkarınız!

Ürün bakımı

- Yapışmış olan kiri dikkatlice çıkarınız.
- Eğer varsa, havalandırma deliklerini kuru, yumuşak bir fırça ile dikkatlice temizleyiniz.
- Gövdeyi sadece hafif nemli bir temizlik bezi ile temizleyiniz. Plastik parçalara yapışabileceğinden silikon içerikli bakım maddeleri kullanmayınız.
- Ürünün kontaklarını temizlemek için temiz, kuru bir bez kullanınız.

Lityum İyon akülerin bakımı

- Bir aküyü asla havalandırma delikleri tıkalıyken kullanmayınız. Havalandırma deliklerini kuru, yumuşak bir fırça ile dikkatlice temizleyiniz.
- Akünün gereksiz toz veya kire maruz kalmasını önleyiniz. Aküyü asla yüksek neme maruz bırakmayınız (örn. suya daldırma veya yağmurda bırakma).
Bir akü ıslandıysa, bu aküye hasarlı akü muamelesi yapınız. Yanmayan bir kabın içinde izole ediniz ve **Hilti** servisiyle irtibat kurunuz.
- Aküyü yabancı yağ ve gresten uzak tutunuz. Gereksiz toz veya kirin aküde birikmesini önleyiniz. Aküyü kuru, yumuşak bir fırça veya temiz, kuru bir bezle temizleyiniz. Plastik parçalara yapışabileceğinden silikon içerikli bakım maddeleri kullanmayınız.
Akünün kontaklarına dokunmayınız ve fabrika tarafında sürülen gresi kontaklardan temizlemeyiniz.
- Gövdeyi sadece hafif nemli bir temizlik bezi ile temizleyiniz. Plastik parçalara yapışabileceğinden silikon içerikli bakım maddeleri kullanmayınız.

Onarım

- Görünür tüm parçalarda hasar olup olmadığını ve kumanda elemanlarının sorunsuz şekilde çalışıp çalışmadığını düzenli olarak kontrol ediniz.
- Hasar ve/veya fonksiyon arızaları durumunda ürünü çalıştırmayınız. Ürünün derhal **Hilti** servisi tarafından onarılmasını sağlayınız.
- Bakım ve onarım çalışmalarından sonra tüm koruma tertibatlarını yerleştiriniz ve bunları sorunsuz fonksiyon bakımından kontrol ediniz.





Güvenli çalışma için sadece orijinal yedek parçalar ve sarf malzemeleri kullanınız. Hilti tarafından onaylanmış, yedek parçaları, aksesuarları ve sarf malzemelerini **Hilti Store** veya şu adreste bulabilirsiniz: www.hilti.group

7.1 Alet ucu iç kısmının temizlenmesi

1. Çakım kafasını sökünüz. → Sayfa 230
2. Alet ucunun iç kısmını temizleyiniz.
3. Çakım kafasını takınız. → Sayfa 230

8 Akülü aletlerin ve akülerin taşınması ve depolanması

Taşıma



DİKKAT

Taşıma sırasında aletin istem dışı çalışması !

- ▶ Ürünlerinizi her zaman aküler takılı olmadan taşıyınız!
- ▶ Akülerin çıkarılması.
- ▶ Aleti her zaman güvenli bir takım çantasında taşıyınız ve depolayınız.
- ▶ Aküler kesinlikle sıkıca bağlanmamış koruma ile taşınmamalıdır. Nakliye sırasında, aküler aşırı şok ve titreşimlerden korunmalı ve başka akü kutupları ile temas ederek kısa devreye neden olmamaları için, her türlü iletken malzeme veya diğer akülerden izole edilmiş olmalıdır. **Aküler için yerel taşıma talimatlarını dikkate alınız.**
- ▶ Aküler posta ile gönderilmemelidir. Hasarsız aküleri sevk etmek istememiz halinde, bir nakliye şirketine başvurunuz.
- ▶ Ürünün ve akülerin hasar görmüş olup olmadığını her kullanımdan önce olduğu gibi uzun taşımaldan önce ve sonra kontrol ediniz.

Depolama



İKAZ

Arızalı veya akan aküler nedeniyle beklenmeyen hasar oluşumu !

- ▶ Ürünlerinizi her zaman aküleri yerleştirmeden depolayınız!
- ▶ Ürün ve aküleri serin ve kuru yerde depolayınız. Teknik verilerde belirtilen sıcaklık sınır değerlerini dikkate alınız.
- ▶ Aküleri şarj cihazının üzerinde muhafaza etmeyiniz. Şarj işleminden sonra her zaman aküyü şarj cihazından çıkarınız.
- ▶ Aküleri kesinlikle güneşte, ısı kaynaklarının üzerinde veya cam arkasında depolamayınız.
- ▶ Ürünü ve aküleri çocukların ve yetki verilmeyen kişilerin ulaşamayacağı yerlerde depolayınız.
- ▶ Her kullanımdan önce ve uzun süreli depolamadan önce ve sonra ürünü ve aküleri hasar bakımından kontrol ediniz.

9 Arıza durumunda yardım

Aksi belirtilmedikçe, açıklanan tüm ışık sinyalleri çivi çakma tabancasının durum göstergisiyle ilgilidir. Tüm arızalarda akünün şarj durumu ve hata göstergesini dikkate alınız. Bkz. Bölüm **Lityum İyon akü göstergeleri**. Bu tabloda listelenmemiş veya kendi başınıza gideremediğiniz arızalarda lütfen yetkili **Hilti** servisimiz ile irtibat kurunuz.

| Arıza | Olası sebepler | Çözüm |
|---|----------------|---|
| Durum göstergesi yeşil yanıp sönüyor. | Akü boş. | ▶ Aküyü değiştirin. |
| Yay elemanı gerilmiyor, durum göstergesi yeşil yanıp sönüyor. | Akü boş. | ▶ Aküyü değiştirin. |
| Çakım kafası bastırılmıyor ve durum göstergesi mavi yanıyor. | Magazin boş. | ▶ Magazin işletiminde, magazini doldurunuz. → Sayfa 231 |



| Anıza | Olası sebepler | Çözüm |
|---|--|---|
| Çakım kafası bastırılmıyor ve durum göstergesi yeşil yanyıyor. | Çivi iticisi sıkışmış. | ▶ Çivi sürgüsü magazinden çıkarılmalı ve magazin temizlenmelidir. |
| | Çivi çakım kafasına sıkışmış. | ▶ Sıkışmış çiviyi çözünüz. → Sayfa 234 |
| Yay elemanı gecikmeli olarak geriliyor, durum göstergesi mavi yanıp sönüyor, aynı zamanda sesli bir sinyal duyuluyor; ardından durum göstergesi 6 dakika boyunca mavi yanyıyor. | Magazin boş. | ▶ Magazin işletiminde, magazini doldurunuz. → Sayfa 231 |
| Yay elemanı tekrar gerilmiyor ve durum göstergesi sarı yanıp sönüyor. | Çivi çakma tabancasında yüksek sıcaklık. | ▶ Çivi çakma tabancasını soğumaya bırakınız. |
| | Akü sıcaklığı çok yüksek. | ▶ Aküyü soğumaya bırakınız. |
| | Akü sıcaklığı çok düşük. | ▶ Aküyü yavaşıca oda sıcaklığına ulaşacak biçimde ısınmaya bırakınız. |
| Yay elemanı gerilmiyor ve durum göstergesi kırmızı yanıp sönüyor. | Çakım kafası doğru biçimde yerleştirilmemiş. | ▶ Çakım kafasını takınız. → Sayfa 230 |
| Yay elemanı gerilmiyor ve durum göstergesi kırmızı yanyıyor. | Alet arızası. | ▶ Hilti servisi ile irtibat kurunuz. |
| Yay elemanı gerilmiyor; durum göstergesi yok. | Akü boş. | ▶ Aküyü değiştirin. |
| | Akü doğru biçimde yerleştirilmemiş. | ▶ Aküyü çıkartınız ve doğru şekilde takınız. → Sayfa 230 |
| | Derin deşarj koruması etkindir. | ▶ Aküyü çıkartınız ve tekrar takınız. |
| Çakım kafası bastırılmış durumdaiken sıkışmış. | Çakım kafası ile alet ucu arası kırılmış. | ▶ Alet ucunun iç kısmını temizleyiniz. → Sayfa 235 |

10 İmha

İKAZ

Usulüne uygun olmayan imha nedeniyle yaralanma tehlikesi! Dışarı çıkan gaz ve sıvılar nedeniyle sağlık sorunları.

- ▶ Hasar görmüş aküleri hiç bir şekilde göndermeyiniz!
- ▶ Kısa devreleri önlemek için, akünün bağlantılarını iletken olmayan bir malzeme ile kapatınız.
- ▶ Aküleri, çocukların ellerine geçmeyecek şekilde imha ediniz.
- ▶ Aküyü size en yakın **Hilti Store**'da imha ediniz veya imha etmek için yetkili şirketinize başvurunuz.

Hilti ürünleri yüksek oranda tekrar kullanılabilen malzemelerden üretilmiştir. Geri dönüşüm için gerekli koşul, usulüne uygun malzeme ayrımıdır. Çoğu ülkede **Hilti** eski aletlerini yeniden değerlendirmek üzere geri alır. Bu konuda **Hilti** müşteri hizmetlerinden veya satış temsilcinizden bilgi alabilirsiniz.



- ▶ Elektrikli el aletlerini, elektronik cihazları ve aküleri evdeki çöplere atmayınız!

11 Üretici garantisi

- ▶ Garanti koşullarına ilişkin sorularınız için lütfen yerel **Hilti** iş ortağınıza başvurunuz.

12 Diğer bilgiler

Kullanım, teknoloji, çevre ve geri dönüşüm hakkında daha fazla bilgi aşağıdaki bağlantıda bulunabilir: qr.hilti.com/manual?id=2268212&id=2268213

Bu bağlantıya dokümanın sonunda bulunan QR kodu taratarak da ulaşabilirsiniz.



دليل الاستعمال الأصلي

1 بيانات المستند

1.1 حول هذا المستند

- اقرأ هذه المستندات بالكامل قبل التشغيل. يعتبر هذا شرطاً للعمل بشكل آمن والاستخدام بدون اختلالات.
- تراعى إرشادات الأمان والإرشادات التحذيرية الواردة في هذا المستند وعلى الجهاز.
- احتفظ بدليل الاستعمال دائماً مع المنتج، ولا تعطي الجهاز لآخرين إلا مرفقاً بهذا الدليل.

2.1 شرح العلامات

1.2.1 إرشادات تحذيرية

تنبه الإرشادات التحذيرية إلى الأخطار الناشئة عند التعامل مع الجهاز. يتم استخدام الكلمات الدليلية التالية:



خطر!

تشير لخطر مباشر يؤدي لإصابات جسدية خطيرة أو إلى الوفاة.



تحذير!

تشير لخطر محتمل قد يؤدي لإصابات جسدية خطيرة أو إلى الوفاة.



احترس!

تشير لموقف خطر محتمل يمكن أن يؤدي لإصابات جسدية أو أضرار مادية.

2.2.1 الرموز في دليل الاستعمال

يتم استخدام الرموز التالية في دليل الاستعمال هذا:

| | |
|---|--|
| يُراعى دليل الاستعمال | |
| إرشادات الاستخدام ومعلومات أخرى مفيدة | |
| التعامل مع مواد قابلة لإعادة التدوير | |
| لا تتخلص من الأجهزة الكهربائية البطاريات ضمن القمامة المنزلية | |
| Hilti بطارية أيونات الليثيوم | |
| Hilti جهاز الشحن | |

3.2.1 الرموز في الصور

تستخدم الرموز التالية في الرسوم التوضيحية:

| | |
|--|----|
| تشير هذه الأعداد إلى الصورة المعنية في بداية دليل الاستعمال هذا. | 2 |
| ترقيم الصور يمثل ترتيب خطوات العمل في الصور، وقد يختلف عن ترقيم خطوات العمل في النص. | 3 |
| يتم استخدام أرقام المواضع في صورة العرض العام وهي تشير إلى أرقام تعليق الصورة في فصل عرض عام للمنتج. | 11 |
| هذه العلامة من شأنها أن تثير انتباهك جيداً عند التعامل مع المنتج. | |



3.1 الرموز المرتبطة بالمنتج

1.3.1 الرموز على المنتج

قد تكون الرموز التالية مستخدمة على المنتج:

| | |
|--|--------|
| العلامات الإلزامية العامة | |
| استخدم نظارة واقية للعينين | |
| استخدم واقيا للأذنين | |
| استخدم خوذة حماية | |
| يدعم المنتج تقنية NFC المتوافقة مع أنظمة التشغيل iOS و Android. | |
| بطارية أيونات الليثيوم | Li-Ion |
| لا تستخدم البطارية أبداً كمطرقة. | |
| لا تدع البطارية تسقط. لا تستخدم بطارية تعرضت لصدمات أو أي نوع آخر من التلفيات. | |

4.1 معلومات المنتج

منتجات **HILTI** مصممة للمستخدمين المحترفين ويقتصر استعمالها وصيانتها وإصلاحها على الأشخاص المعتمدين والمدربين جيداً. هؤلاء الأشخاص يجب أن يكونوا قد تلقوا تدريباً خاصاً على الأخطار الطارئة. قد يتسبب الجهاز وأدواته المساعدة في حدوث أخطار إذا تم التعامل معها بشكل غير سليم فنياً من قبل أشخاص غير مدربين أو تم استخدامها بشكل غير مطابق للتعليمات. يوجد مسمى الطراز والرقم المسلسل على لوحة الصنع.

◀ انقل الرقم المسلسل في الجدول التالي. ستحتاج إلى بيانات المنتج في حالة الاستفسارات الموجبة إلى ممثلينا أو مركز الخدمة.

بيانات المنتج

| | |
|----------------------------------|---------------|
| BX 3-22 BX 3-L-22 BX 3-ME-22 | جهاز الكيس |
| 03 | الجيل |
| | الرقم المسلسل |

5.1 بيان المطابقة

تعلم الجبة الصانعة على مسؤوليتها وحدها بأن المنتج المشروح هنا يتوافق مع التشريعات والمعايير المعمول بها. تجد صورة لبيان المطابقة في نهاية هذا المستند.

المستندات الفنية محفوظة هنا:

Hilti Entwicklungsgesellschaft mbH | Zulassung Geräte | Hiltistraße 6 | 86916 Kaufering, DE

2 السلامة

1.2 إرشادات السلامة العامة المتعلقة بالأدوات الكهربائية

⚠ تحذير احرص على قراءة جميع إرشادات السلامة، التوجيهات، الصور التوضيحية والموصفات الفنية المرفقة مع هذه الأداة الكهربائية. أي تقصير أو إهمال في الالتزام بالتعليمات التالية قد يتسبب في حدوث صق كهربائي، نشوب حريق و/أو وقوع إصابات خطيرة.

احتفظ بجميع مستندات إرشادات السلامة والتعليمات لاستخدامها عند الحاجة إليها فيما بعد. يقصد بمصطلح «الأداة الكهربائية» المذكور في إرشادات السلامة الأدوات الكهربائية المشغلة بالكهرباء، (باستخدام كابل الكهرباء) أو الأدوات الكهربائية المشغلة بالبطاريات (بدون كابل الكهرباء).

سلامة مكان العمل

◀ حافظ على نطاق عملك نظيفاً ومضاءً بشكل جيد. الفوضى أو أماكن العمل غير المضاءة يمكن أن تؤدي لوقوع حوادث.



- ◀ لا تعمل بالأداة الكهربائية في محيط معرض لخطر الانفجار يتواجد به سوائل أو غازات أو أنواع غبار قابلة للاشتعال. الأدوات الكهربائية تولد شررا يمكن أن يؤدي لإشعال الغبار والأبخرة.
- ◀ احرص على إبعاد الأطفال والأشخاص الآخرين أثناء استخدام الأداة الكهربائية. في حالة انصراف انتباهك قد تفقد السيطرة على الجهاز.

السلامة الكهربائية

- ◀ يجب أن يكون قابس توصيل الأداة الكهربائية متلائما مع المقبس. لا يجوز تعديل القابس بأي حال من الأحوال. لا تستخدم قوايس مهايأة مع أدوات كهربائية ذات وصلة أرضي محمية. القوايس غير المعدلة والمقابس الملائمة تقلل من خطر حدوث صدمة كهربائية.
- ◀ تجنب حدوث تلامس للجسم مع أسطح مؤرضة مثل الأسطح الخاصة بالمواسير وأجهزة التدفئة والمواقد والثلاجات. ينشأ خطر متزايد من حدوث صدمة كهربائية عندما يكون جسمك متصلا بالأرض.
- ◀ أبعد الأدوات الكهربائية عن الأمطار أو البلل. تسرب الماء إلى داخل الأداة الكهربائية يزيد من خطر حدوث صدمة كهربائية.
- ◀ لا تستخدم كابلات التوصيل لحمل الأداة الكهربائية أو تعليقها أو لسحب القابس من المقبس. احتفظ بكابلات التوصيل بعيدا عن السفونة والزيت والمواف الحادة والأجزاء المتحركة. كابلات التوصيل التالفة أو المتشابكة تزيد من خطر حدوث صعق كهربائي.
- ◀ عندما تعمل بأداة كهربائية في مكان مكشوف، فلا تستخدم سوى كابلات الإطالة المناسبة للعمل في النطاق الخارجي. استخدام كابل إطالة مناسب للعمل في النطاق الخارجي يقلل من خطر حدوث صعق كهربائي.
- ◀ إذا تعذر تجنب تشغيل الأداة الكهربائية في محيط رطب، فاستخدم مفتاح حماية من تسرب التيار. استخدام مفتاح الحماية من تسرب التيار يقلل خطر حدوث صدمة كهربائية.

سلامة الأشخاص

- ◀ كن يقظا وانتبه لما تفعل وتعامل مع الأداة الكهربائية بتعقل عند العمل بها. لا تستخدم الأداة الكهربائية عندما تكون متعبا أو تحت تأثير المخدرات أو الكحوليات أو العقاقير. فقد يتسبب عدم الانتباه للحظة واحدة أثناء الاستخدام في حدوث إصابات بالغة.
- ◀ ارتد تجهيزات وقاية شخصية وارتد دائما نظارة واقية. ارتداء تجهيزات وقاية شخصية، مثل قناع الوقاية من الغبار وأحذية الأمان المضادة للانزلاق وخوذة الوقاية أو واقي السمع، تبعا لنوع واستخدام الأداة الكهربائية، يقلل من خطر الإصابات.
- ◀ تجنب التشغيل بشكل غير مقصود. تأكد أن الأداة الكهربائية مطفأة قبل توصيلها بالكهرباء و/أو بالبطارية وقبل رفعها أو حملها. إذا كان إصبعك على المفتاح عند حمل الأداة الكهربائية أو كان الجهاز في وضع التشغيل عند التوصيل بالكهرباء، فقد يؤدي ذلك لوقوع حوادث.
- ◀ أبعد أدوات الضبط أو مفاتيح ربط البراغي قبل تشغيل الأداة الكهربائية. الأداة أو المفتاح المتواجد في جزء دوار من الجهاز يمكن أن يؤدي لحدوث إصابات.
- ◀ تجنب اتخاذ وضع غير طبيعي للجسم. احرص على أن تكون واقفا بأمان وحافظ على توازنك في جميع الأوقات. من خلال ذلك تستطيع السيطرة على الأداة الكهربائية بشكل أفضل في المواقف المفاجئة.
- ◀ ارتد ملابس مناسبة. لا ترتد ملابس فضفاضة أو حلي. احرص على أن يكون الشعر والملابس والقفازات بعيدة عن الأجزاء المتحركة. الملابس الفضفاضة أو الحلي أو الشعر الطويل يمكن أن تشبكت في الأجزاء المتحركة.
- ◀ إذا أمكن تركيب تجهيزات شفت وتجميع الغبار، فتأكد أنها موصلة ومستخدمة بشكل سليم. استخدام تجهيزة شفت الغبار يمكن أن يقلل الأخطار الناتجة عن الغبار.
- ◀ لا تعتقد بأنك في مأمن عن الخطر ولا تتجاهل تشرعيات السلامة المعنية للأدوات الكهربائية، حتى وإن كنت على دراية بالأداة الكهربائية بعد تكرار استخدامها. التعامل مع الجهاز بدون حذر قد يؤدي إلى وقوع إصابات بالغة في جزء من الثانية.

استخدام الأداة الكهربائية والتعامل معها

- ◀ لا تفرط في التحميل على الجهاز. استخدم الأداة الكهربائية المناسبة للعمل الذي تقوم به. استخدام الأداة الكهربائية المناسبة يتبع لك العمل بشكل أفضل وأكثر أمانا في نطاق العمل المقرر.
- ◀ لا تستخدم أداة كهربائية ذات مفتاح تالف. الأداة الكهربائية التي لم يعد يمكن تشغيلها أو إطفائها تمثل خطورة ويجب إصلاحها.
- ◀ اسحب القابس من المقبس و/أو اخلع البطارية القابلة للخلع من الجهاز قبل إجراء عمليات الضبط، أو استبدال أجزاء الملحقات أو عند ترك الجهاز. هذا الإجراء الوقائي يمنع بدء تشغيل الأداة الكهربائية دون قصد.



- ◀ احتفظ بالأدوات الكهربائية غير المستخدمة بعيداً عن متناول الأطفال. لا تسمح باستخدام الجهاز من قبل أشخاص ليسوا على دراية به أو لم يقرأوا هذه التعليمات. الأدوات الكهربائية خطيرة في حالة استخدامها من قبل أشخاص ليست لديهم الخبرة الواجبة.
- ◀ اعتني جيداً بالأدوات الكهربائية والملحقات. افحص الأجزاء المتحركة من حيث أدائها لوظيفتها بدون مشاكل وعدم انحصارها واقمحصها من حيث وجود أجزاء مكسورة أو متعرضة للضرر يمكن أن تؤثر سلباً على وظيفة الأداة الكهربائية. اعمل على إصلاح الأجزاء التالفة قبل استخدام الجهاز. الكثير من الحوادث مصدرها الأدوات الكهربائية التي تم صيانتها بشكل رديء.
- ◀ حافظ على أدوات القطع حادة ونظيفة. تتميز أدوات القطع ذات حواف القطع المادة المعتنى بها بدقة بأنها أقل عرضة للتعثّر وأسهل في التعامل.
- ◀ استخدم الأداة الكهربائية والملحقات وأدوات العمل وخلافه طبقاً لهذه التعليمات. احرص في هذه الأثناء على مراعاة اشتراطات العمل والمهمة المراد تنفيذها. استخدام الأدوات الكهربائية في تطبيقات غير تلك المقررة لها يمكن أن يؤدي لمواقف خطيرة.
- ◀ حافظ على المقابض ومواضع المسك في حالة جافة ونظيفة وخالية من الزيت والشحم. المقابض ومواضع المسك الانزلاقية تحول دون استعمال الأداة الكهربائية والتحكم بها بشكل آمن في المواقف غير المتوقعة.

استخدام الأداة العاملة بالبطارية والتعامل معها

- ◀ لا تشحن البطارية إلا في أجهزة شحن موصى بها من قبل الجهة الصانعة. بالنسبة لجهاز الشحن المناسب لنوع معين من البطاريات، ينشأ خطر الحريق عند استخدامه مع بطاريات أخرى.
- ◀ لا تضع في الأدوات الكهربائية سوى البطاريات المخصصة لها. استخدام بطاريات أخرى يمكن أن يؤدي لوقوع إصابات وخطر الحريق.
- ◀ أبعد البطارية غير المستخدمة عن مشابك الورق وقطع النقود المعدنية والمفاتيح والمسامير والبراغي أو الأشياء المعدنية الصغيرة الأخرى التي يمكن أن تتسبب في توصيل الملامسين لبعضهما. حدوث قفلة كهربائية بين أطراف توصيل البطارية يمكن أن ينتج عنه حدوث حروق أو نشوب حريق.
- ◀ عند الاستخدام بشكل خاطئ يمكن أن يتسرب سائل من البطارية. تجنب ملامسته. اشطفه بالماء في حالة ملامسته عن طريق الخطأ. إذا وصل السائل للعينين، فتوجه للطبيب علاوة على ذلك. سائل البطارية المتسرب يمكن أن يؤدي لتبيح البشرة أو حدوث حروق.
- ◀ لا تستخدم بطارية تالفة أو مختلفة. البطاريات التالفة أو المختلفة قد تتفاعل مع نفسها بشكل غير متوقع مما يؤدي لنشوب حريق أو حدوث انفجار أو وقوع إصابات.
- ◀ لا تعرض البطارية للنار أو لدرجات حرارة مرتفعة للغاية. حيث قد تؤدي النار ودرجات الحرارة الزائدة عن 130 °م (265 °ف) إلى حدوث انفجار.
- ◀ التزم بكافة التعليمات المعنية بالشحن، ولا تقم أبداً بشحن البطارية أو الأداة العاملة بالبطارية خارج نطاق درجة الحرارة الوارد ذكره في دليل التشغيل. الشحن بشكل خاطئ أو خارج نطاق درجة الحرارة المسموح به قد يتلف البطارية ويزيد من خطر الحريق.

الخدمة

- ◀ اعمل على إصلاح أدواتك الكهربائية على أيدي فنيين معتمدين فقط والاقصر على استخدام قطع الغيار الأصلية. وبذلك تتأكد من الحفاظ على سلامة الجهاز.
- ◀ لا تقم أبداً بصيانة البطاريات التالفة. يجب أن تتم جميع أعمال الصيانة بمعرفة الجهة الصانعة فقط أو من خلال مراكز خدمة العملاء المعتمدين.

2.2 إرشادات السلامة الخاصة بأجهزة التثبيت

- ◀ ينبغي أن تفترض دائماً أن الأداة الكهربائية تمتوي على مسامير. التعامل مع جهاز التثبيت بدون عناية قد يؤدي إلى انطلاق المسامير بشكل مفاجئ مما يعرضك لوقوع إصابات.
- ◀ لا تقم بتصويب الأداة الكهربائية على نفسك أو الأشخاص المتواجدين بالقرب منك. قد يحدث انطلاق للمسامير بسبب التشغيل المفاجئ مما يؤدي لوقوع إصابات.
- ◀ لا تضغط على الأداة الكهربائية قبل وضعها على قطعة الشغل بشكل محكم. في حالة عدم تلامس الأداة الكهربائية مع قطعة الشغل جيداً، فقد يرتد المسامير من موضع التثبيت.
- ◀ أفضل الأداة الكهربائية عن التيار الكهربائي أو من البطارية، عندما ينحصر المسامير في الأداة الكهربائية. فعندما يكون جهاز التثبيت موصلاً قد يتم الضغط عليه بدون قصد عند خلع مسامير مركب بإحكام.
- ◀ توخ الحذر عند خلع مسامير مركب بإحكام. فقد يكون النظام مشدوداً مما يؤدي لانطلاق المسامير بشدة أثناء قيامك بإزالة الانحصار.



- تأكد عند تثبيت الوصلات الكهربائية من أنها لا يسري بها جهد كهربائي. اقتصر على مسك جهاز التثبيت من موضع المسك المعزول فقط. اقتصر على استخدام المسامير المناسبة لتثبيت الوصلات الكهربائية. تأكد أن المسامير لم يلحق الضرر بعازل الوصلة الكهربائية. حيث إن تعرض عازل الوصلات الكهربائية للضرر بسبب المسامير، قد يؤدي لحدوث صعق كهربائي ونشوب حريق.

3.2 إرشادات السلامة

إرشادات للمستخدم

- لا يُسمح لك باستعمال هذا الجهاز أو صيانتته إلا إذا كان لديك تصريح بذلك أو تلقيت تدريباً على ذلك.

تجهيزات الوقاية الشخصية

- احرص أنت والأشخاص المتواجدون بالقرب منك أثناء الاستخدام على ارتداء نظارة واقية وواق للسمع وخوذة حماية.

سلامة الأشخاص

- يلزم مراعاة المعلومات المتعلقة بالتشغيل والعناية والإصلاح الواردة في دليل الاستعمال.
- كن يقظاً وانتبه لما تقوم به وتعامل بحكمة وعقلانية أثناء العمل باستخدام جهاز الكبس. لا تستخدم الجهاز عندما تكون مرهقاً أو واقفاً تحت تأثير العقاقير المخدرة أو الكحول أو الأدوية. توقف عن العمل في حالة شعورك بالآلام أو غثيان. فعدم الانتباه للحظة واحدة أثناء استخدام جهاز الكبس يمكن أن تؤدي لإصابات خطيرة.
- تجنب اتخاذ وضع غير سليم للجسم. واحرص على أن تكون واقفاً بأمان وحافظ على توازنك في جميع الأوقات.
- ارتد حذاءً آمناً مضاداً للانزلاق.
- لا تقم أبداً بسحب موجه المسامير أو عناصر التثبيت يدوياً للخلف.
- من خلال جذب موجه المسامير أو عنصر التثبيت يدوياً للخلف قد يصعب المنتج في بعض الأحوال جاهزاً للاستخدام. ويتبع وضع الاستعداد الوظيفي قيام الجهاز بعملية الكبس حتى في أجزاء الجسم.
- عند استخدام المنتج، احتفظ بذراعك في وضع مثني (غير ممدود).
- احرص عند قيامك بتنفيذ الأعمال على إبعاد الأشخاص الآخرين، وخاصة الأطفال، عن نطاق العمل.
- خطر الإصابة من جراء سقوط الأدوات و/أو الملحقات. تأكد قبل بدء العمل أن البطارية والملحقات المثبتة آمنة.
- احتفظ بفتحات التهوية مكشوفة دائماً. خطر حدوث حرائق بسبب فتحات التهوية المغطاة!
- لا تنظر بشكل مباشر إلى مصدر الإضاءة (لمبة LED) ولا تقم بتوجيه الإضاءة إلى أوجه أشخاص آخرين. فهناك خطر الإصابة بالعمى.

مراعاة العناية الفائقة عند التعامل مع أجهزة الكبس واستعمالها

- خطر من خلال عناصر التثبيت السائبة! تأكد قبل كبس عناصر التثبيت من عدم وقوف أحد الأشخاص خلف أو أسفل الجزء التركيبي الذي سيتم كبس عنصر التثبيت فيه.
- استخدم المنتج المناسب لتنفيذ أعمالك. لا تستخدم المنتج في أغراض غير المخصص لها، بل استخدمه فقط بشكل مطابق للتعليمات وهو في حالة سليمة.
- لا تترك المنتج أبداً دون مراقبة وهو معبأ.
- احرص دائماً على تفريغ المنتج قبل إجراء أعمال التنظيف والصيانة، وعند تغيير موجه المسامير، وعند توقف العمل مؤقتاً وكذلك للتخزين (عنصر التثبيت).
- احتفظ بالمنتجات غير المستخدمة في مكان جاف ومغلق وبعيداً عن متناول الأطفال وذلك بعد تفريغها.
- افحص المنتج والملحقات من حيث وجود أضرار مُحتملة. تأكد أن الأجزاء المتحركة تعمل بشكل سليم وأنها ليست منحصرة أو متعرضة للضرر.
- يجب أن تكون جميع الأجزاء مُركبة بشكل صحيح ومستوفية لجميع الاشتراطات، وذلك لضمان تشغيل المنتج بشكل سليم. يلزم إصلاح أو استبدال الأجزاء المتعرضة للضرر بشكل سليم فنياً لدى مركز خدمة Hilti، ما لم تتم الإشارة إلى غير ذلك في دليل الاستعمال.
- قبل بدء الأعمال افحص نطاق العمل من حيث وجود توصيلات كهرباء مغطاة أو مواسير للغاز والماء. الأجزاء المعدنية الخارجية بالمنتج يمكن أن تتسبب في صدمة كهربائية أو انفجار، إذا قمت بإتلاف إحدى توصيلات التيار أو ماسورة الغاز أو الماء.
- لا تقم بتثبيت أية عناصر تثبيت في خامة سطح شغل لا تتناسب معها.
- من الخامات غير المناسبة الفولاذ الملحوم، الفولاذ المصبوب، الحديد الزهر، الزجاج، الرخام، البلاستيك، البرونز، النحاس الأصفر، النحاس، المواد العازلة، الطوب المفرغ، الطوب الخزفي، الصاج الرقيق (> 4 مم) والفرسانة الخلوية. وقد يتسبب الكبس في هذه الخامات في انكسار العنصر أو تناثر شظايا أو اختراق الخامة.



- ◀ لا تضغط على الزناد إلا والمنتج في وضع رأسي بالنسبة لموضع الشغل.
- ◀ أمسك المنتج دائماً بزاوية قائمة بالنسبة لموضع الشغل عند القيام بعملية الكبس لتجنب انحراف عنصر التثبيت عن مادة موضع الشغل.
- ◀ حافظ على المقابض جافة ونظيفة وخالية من الزيت والشحم.
- ◀ احرص على عدم تعرض المنتج للسقوط أبداً.
- ◀ لا تستخدم الزنادة كمقبض.
- ◀ لا تستخدم المنتج في أماكن مُعرضة لخطر الحريق والانفجار، إلا إذا كان مصمماً باستخدامه خصيصاً لهذا الغرض.
- ◀ لا تكبس أية عناصر في ثقوب موجودة، إلا إذا أوصت Hilti بذلك (مثلاً DX-Kwik).

إجراءات السلامة الميكانيكية

- ◀ لا تقم بإجراء أية تعديلات أو تغييرات على المنتج أو الملحقات، وخاصة الكباس.
- ◀ لا تستخدم سوى عناصر تثبيت مصرح بها ومخصصة للمنتج.

إجراءات السلامة الحرارية

- ◀ لا تتجاوز الحد الأقصى الموصى به لتردد الكبس.
- ◀ إذا تعرض المنتج للسخونة المفرطة، اتركه حتى يبرد.
- ◀ لا تقم بفك المنتج إذا كان ساخناً. اترك المنتج يبرد.

4.2 التعامل بعناية مع الأجهزة العاملة بالبطاريات واستخدامها

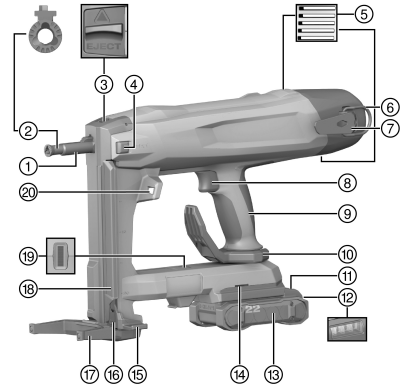
- ◀ احرص على مراعاة إرشادات السلامة التالية للتعامل والاستخدام الآمن لبطاريات أيونات الليثيوم. وعدم مراعاة ذلك قد يؤدي إلى حدوث تهيجات للبشرة، إصابات أكلة بالغة، حروق كيميائية، حرائق و/ أو انفجارات.
- ◀ اقتصر على استخدام البطاريات وهي في حالة سليمة من الناحية الفنية.
- ◀ احرص على التعامل مع البطاريات بعناية لتجنب وقوع أضرار ومنع تسرب السوائل التي قد تضر بالصحة بصورة كبيرة!
- ◀ لا يجوز بأي حال من الأحوال تعديل البطاريات أو العبث بها!
- ◀ لا يجوز تفكيك البطاريات أو سحقها أو وضعها في درجة حرارة أعلى من 80°م (176°ف) أو حرقها.
- ◀ لا تقم باستخدام أو شحن بطاريات تعرضت لصدات أو أي نوع آخر من الأضرار. افحص البطاريات بشكل دوري بحثاً عن علامات التلف.
- ◀ لا تقم مطلقاً باستخدام بطاريات مُعاد تدويرها أو التي تم إصلاحها.
- ◀ لا تستخدم أبداً البطارية أو أية أداة كهربائية مشغلة بالبطارية كمطرقة.
- ◀ لا تقم مطلقاً بتعريض البطاريات لأشعة الشمس المباشرة أو درجات الحرارة المرتفعة أو تولد الشرر أو اللهب المكتشف. فقد يؤدي ذلك إلى حدوث انفجارات.
- ◀ لا تلمس أقطاب البطارية بأصابعك، أدوات، حُلِي أو أية أشياء أخرى موصلة للكهرباء. فقد يؤدي ذلك إلى إلحاق الضرر بالبطارية وحدث أضرار مادية والإصابات.
- ◀ احتفظ بالبطاريات بعيداً عن الأمطار والبلل والسوائل. فالرطوبة المتسربة قد تتسبب في حدوث قفلات كهربائية، صدمات كهربائية، حرائق وانفجارات.
- ◀ اقتصر على استخدام الشواحن والأدوات الكهربائية المقررة لهذه البطارية. يلزم مراعاة المعلومات الواردة في دليل الاستعمال المعني.
- ◀ لا تقم باستخدام أو تخزين البطارية في النطاقات المُعرضة لخطر الانفجار.
- ◀ في حالة السخونة الشديدة للبطارية بحيث يتعذر الإمساك بها، فقد تكون تالفة. احرص على وضع البطارية في مكان مرئي وغير قابل للاشتعال مع وجود مسافة كافية من الغامات القابلة للاشتعال. اترك البطارية تبرد. إذا ظلت البطارية ساخنة بعد مرور ساعة لدرجة تعذر لمسها، فهذا يعني أنها تالفة. توجه إلى مركز خدمة Hilti أو اقرأ المستند "إرشادات سلامة واستخدام بطاريات أيونات الليثيوم Hilti".

احرص على مراعاة اللوائح الفاصلة التي تسري على نقل وتخزين واستخدام بطاريات أيونات الليثيوم. اقرأ إرشادات سلامة واستخدام بطاريات أيونات الليثيوم Hilti، التي يمكنك العثور عليها عن طريق مسح كود الاستجابة السريعة الموجود في نهاية دليل الاستعمال هذا.



1.3 نظرة عامة على المنتج

- ① رأس الجهاز
- ② موجه المسامير
- ③ قفل موجه المسامير
- ④ رأس أحادي الكبس (BX 3-ME-22)
- ⑤ فتحات التبوية
- ⑥ حلقة حزام تثبيت أداة الشغل
- ⑦ خطاف حزام
- ⑧ عنصر الأمان
- ⑨ المقبض
- ⑩ خطاف حزام/خطاف تعليق
- ⑪ زر تحرير البطارية
- ⑫ مبین حالة البطارية
- ⑬ بطارية أيونات الليثيوم
- ⑭ فتحة تركيب الملحق
- ⑮ مزلاج المسامير
- ⑯ وسيلة تحرير مزلاج المسامير
- ⑰ قاعدة السند
- ⑱ الخزانة
- ⑲ مبین حالة جهاز الكبس
- ⑳ لمبة إضاءة نطاق العمل



1.1.3 التجهيز

موجه المسامير وقاعدة السند مرتبطان بالمنتج. يُشير الجدول التالي إلى قاعدة السند وموجه المسامير المُجهز بهما المنتج.

يمكنك العثور على مزيد من المعلومات بغطاء الحقيبة في **Hilti Store** أو على الموقع الإلكتروني: www.hilti.group

| المنتج | BX 3-22 | BX 3-L-22 | BX 3-ME-22 |
|---------------|---------------|---------------|---------------|
| موجه المسامير | X-FG B3 IF 02 | X-FG B3 IF 02 | X-FG B3 ME |
| قاعدة السند | X-SL B3 03 | X-SL B3 03 | X-SL B3 ME 03 |

2.3 الاستخدام المطابق للتعليمات

هذا المنتج عبارة عن جهاز كبس يُستخدم يدوياً ويعمل بالبطارية. وهو مخصص لكبس عناصر التثبيت المصممة خصيصاً في الخرسانة، الفولاذ، الجدران، والطوب الرملي والجيري ومواقع الشغل الأخرى الملائمة لأعمال التركيب المباشر. هذا المنتج مخصص أيضاً لتثبيت التوصيلات الكهربائية المزودة بكليسات شريطة استخدام عناصر تثبيت ملائمة لذلك. اقتصر على استخدام عناصر التثبيت المصرح بها بالارتباط مع موجه المسامير المخصص لها (انظر موضوع "المواصفات الفنية").

يمثل جهاز الكبس مع البطارية وعناصر التثبيت وحدة فنية متكاملة. وهذا يعني أنه لا يمكن ضمان إجراء عملية التثبيت باستخدام جهاز الكبس هذا بدون مشاكل، إلا إذا تم استخدام عناصر التثبيت من **Hilti** المصممة لذلك خصيصاً والشواحن والبطاريات الموصى بها من **Hilti**. يؤخذ بتوصيات الاستخدام والتثبيت المنصوص عليها من قبل **Hilti** في حالة مراعاة هذه الاشرطاطات فقط.

لا يجوز استعمال جهاز الكبس إلا يدوياً.
 يلزم تجنب الاستخدامات الخاطئة. يندرج تحت مُسمى الاستخدامات الخاطئة عمليات الكبس في مواقع شغل طرية للغاية (مثل الخشب)، عمليات الكبس في مواقع شغل شديدة الصلابة (كالفولاذ عالي المتانة) أو أحجار البناء شديدة الصلابة).

- اقتصر على استخدام بطاريات أيونات الليثيوم Nuron من **Hilti** من النوع B 22 مع هذا المنتج. لتحقيق القدرة المثالية، توصي **Hilti** باستخدام البطاريات المذكورة بالجدول الوارد بنهاية دليل الاستعمال هذا مع هذا المنتج.
- اقتصر على استخدام شواحن **Hilti** من الأنواع المذكورة بالجدول الوارد بنهاية دليل الاستعمال هذا لشحن هذه البطاريات.



3.3 تجهيزات الأمان

في نمط الخزانة ينبغي أن تقوم خاصية اكتشاف المسامير بمنع عمليات الكبس الخاطئة والتي قد تلحق الضرر بجهاز الكبس. ينبغي أن تمنع وسيلة تأمين الضغط كبس المسامير دون انتباه. في نمط الخزانة لا يمكن ضغط وتشغيل جهاز الكبس إلا عندما يكون المسامير مُركباً.

4.3 خصائص التجهيز

الجهاز مزود بمقبض عملائي آمن ضد الانزلاق ومخمّد للاهتزازات، خطاف حزام وخطاف تعليق وكذلك قاعدة سند. تتم حماية جهاز الكبس من التحميل الزائد عن طريق وسيلة حماية إلكترونية ومن السخونة المفرطة من خلال خاصية مراقبة درجة الحرارة.

5.3 مبيان حالة جهاز الكبس

يقدم مبيان حالة جهاز الكبس معلومات حول حالات جهاز الكبس.

| الحالة | الاستعمال |
|--|---|
| لمبة LED مُطفأة | جهاز الكبس متوقف |
| لمبة LED تضيء باللون الأخضر. | جهاز الكبس مُشغل وجهاز للاستخدام |
| لمبة LED تومض باللون الأخضر. | البطارية ساخنة للغاية أو البطارية ضعيفة |
| لمبة LED تومض كل 3 ثوان باللون الأخضر. | جهاز الكبس في وضع الاستعداد، يتم تشغيل جهاز الكبس بالضغط على رأس الجهاز |
| تضيء لمبة LED باللون الأزرق. | جهاز الكبس مُشغل، يتعين تعبئة شرائط المسامير |
| تومض لمبة LED باللون الأزرق. | جهاز الكبس مُشغل، الخزانة فارغة بالكامل |
| لمبة LED تومض باللون الأصفر. | جهاز الكبس ساخن للغاية، انظر جدول الاختلالات |
| لمبة LED تومض باللون الأحمر. | اختلال بالجهاز، انظر جدول الاختلالات |
| لمبة LED تضيء باللون الأحمر. | اختلال بالجهاز، انظر جدول الاختلالات |

6.3 بيانات بطارية أيونات الليثيوم

يمكن لبطاريات أيونات الليثيوم Hilti Nuron عرض حالة الشحن وبلاغات الأخطاء وحالة البطارية.

1.6.3 عرض حالة الشحن وبلاغات الأخطاء



خطر الإصابة بسبب سقوط البطارية!

◀ بينما البطارية مركبة، تأكد بعد الضغط على زر التحرير أنك قمت بإعادة تثبيت البطارية بشكل صحيح في المنتج المُستخدم.

لكي يتسنى الحصول على أحد البيانات التالية، اضغط لوهلة قصيرة على زر تحرير البطارية. وأيضاً يتم باستمرار عرض حالة الشحن وكذلك الاختلالات المُتمثلة طوال فترة تشغيل المنتج الموصل.

| الحالة | الاستعمال |
|--|---|
| تضيء أربع لمبات LED (4) باستمرار باللون الأخضر | حالة الشحن: 100 % إلى 71 % |
| تضيء ثلاث لمبات LED (3) باستمرار باللون الأخضر | حالة الشحن: 70 % إلى 51 % |
| تضيء لمبتا LED (2) باستمرار باللون الأخضر | حالة الشحن: 50 % إلى 26 % |
| تضيء لمبة LED واحدة (1) باستمرار باللون الأخضر | حالة الشحن: 25 % إلى 10 % |
| تومض لمبة LED واحدة (1) ببطء باللون الأخضر | حالة الشحن: > 10 % |
| تومض لمبة LED واحدة (1) بسرعة باللون الأخضر | بطارية أيونات الليثيوم فارغة الشحنة تماماً. اشحن البطارية. |
| | إذا استمر وميض لمبة LED بسرعة بعد شحن البطارية، توجه إلى مركز خدمة Hilti. |



| الحالة | الاستعمال |
|---|--|
| تومض لمبة LED واحدة (1) بسرعة باللون الأصفر | هناك تحميل زائد على بطارية أيونات الليثيوم أو المنتج المرتبط بها أو بهما سخونة زائدة أو برودة زائدة أو بهما خطأ آخر. اعمل على توفير درجة حرارة العمل الموصى بها للمنتج وللبطارية، واحرص على ألا يتعرض المنتج للتحميل الزائد عند استخدامه. إذا استمر وجود البلاغ، توجه إلى مركز خدمة Hilti. |
| تضيء لمبة LED واحدة (1) باللون الأصفر | بطارية أيونات الليثيوم والمنتج المرتبط بها ليسا متوافقين. يُرجى التوجه إلى مركز خدمة Hilti. |
| تومض لمبة LED واحدة (1) بسرعة باللون الأحمر | تم تعطيل بطارية أيونات الليثيوم ولا يمكن مواصلة استخدامها. يُرجى التوجه إلى مركز خدمة Hilti. |

2.6.3 عرض حالة البطارية

للاستفسار عن حالة البطارية، احتفظ بزر التمرير مضغوطاً لمدة تزيد على ثلاث ثوانٍ. لا يكتشف النظام أي عطل محتمل في البطارية بسبب سوء الاستخدام، على سبيل المثال السقوط أو الثقب أو الأضرار الخارجية بفعل الحرارة، وما إلى ذلك

| الحالة | الاستعمال |
|--|--|
| تضيء جميع لمبات LED كخط إضاءة متتابع، وبعد ذلك تضيء لمبة LED واحدة (1) باستمرار باللون الأخضر. | لا يزال من الممكن استخدام البطارية. |
| تضيء جميع لمبات LED كخط إضاءة متتابع، وبعد ذلك تومض لمبة LED واحدة (1) بسرعة باللون الأصفر. | تعذر إتمام الاستعلام عن حالة البطارية. كرر العملية أو توجه إلى مركز خدمة Hilti. |
| تضيء جميع لمبات LED كخط إضاءة متتابع، وبعد ذلك تضيء لمبة LED واحدة (1) باستمرار باللون الأحمر. | إذا كان لا يزال من الممكن استخدام منتج موصل، تكون قدرة البطارية المتبقية أقل من 50%. إذا لم يعد من الممكن استخدام منتج موصل، فهذا يعني أن البطارية في نهاية عمرها الافتراضي ويجب تغييرها. يُرجى التوجه إلى مركز خدمة Hilti. |

7.3 خاصية بلوتوث® (اختيارية)

علامة كلمة Bluetooth® وكذلك رمز الصورة (الشعارات) هي عبارة عن علامات تجارية مُسجلة وخاضعة لملكية مؤسسة Bluetooth SIG، بما في ذلك أي استخدام لعلامة الكلمة/رمز الصورة عن طريق Hilti شركة مساهمة، يتم بموجب ترخيص.

1.7.3 الاستخدام المطابق للتعليمات

هذا المنتج مُجهز بوحدات Bluetooth® منخفضة الطاقة، والتي تتيح فحص حالة الأداة الكهربائية وكذلك نقل الإعدادات والبيانات القائمة على تقنية اللاسلكي Bluetooth®. نقل البيانات لاسلكياً، إنشاء اتصال بين منتجين داعمين لتقنية Bluetooth في نطاق مسافة قصيرة. تم تطوير هذا المنتج لإتاحة الاتصال ونقل البيانات عن طريق الهواتف الجوالة وبوابات Hilti. يستطيع المنتج إرسال خصائص البيانات مثل موقع الجهاز الجوال المراد استقباله ومدة التشغيل والعدد الإجمالي للتطبيقات وعدد التطبيقات أثناء الفترات الفاصلة والطابع الزمني لعملية النقل. يمكنك العثور على معلومات حول وظائف الاتصال المقدمة في تطبيق Hilti المعني (App) أو في دليل استعمال الأداة الكهربائية المُستخدمة.

2.7.3 نقل البيانات عن طريق وظيفة Bluetooth®

قد يختلف الفاصل الزمني للإرسال ارتباطاً بمصدر الإمداد بالطاقة المُتاح للمنتج. قد يختلف نطاق الإرسال بشكل كبير تبعاً للظروف الخارجية، بما في ذلك جهاز الاستقبال المُستخدم. داخل الأماكن المغلقة وخلال المواجهات المعدنية (على سبيل المثال، الجدران، الأرفف، المقابض وخلافه) قد ينخفض مدى Bluetooth® بشكل واضح. تبعاً للنطاق المحيط، قد يتطلب الأمر عدة فواصل زمنية للإرسال قبل التعرف على الأداة الكهربائية.

في حالة عدم التعرف على الأداة الكهربائية، يُرجى التحقق من الآتي:
هل المسافة إلى الهاتف الجوال كبيرة للغاية؟
→ احرص على تقليل المسافة إلى الهاتف الجوال والأداة الكهربائية



3.7.3 تثبيت وإعداد التطبيق

لكي يتسنى لك استخدام وظائف الاتصال، يتعين عليك أولاً تثبيت تطبيق Hilti المعني.
(1) قم بتنزيل التطبيق عن طريق أحد متاجر التطبيقات المعنية.

يُطلب وجود حساب مستخدم لدى متجر التطبيقات المعني.

- (2) بعد قيامك بتشغيل التطبيق للمرة الأولى، يُرجى القيام بتسجيل الدخول عن طريق المساب الخاص بك أو القيام بتسجيل نفسك.
(3) تظهر على شاشة هاتفك الجوال جميع الخطوات الأخرى اللازمة لتوصيل الأداة الكهربائية بالهاتف الجوال.

قم أولاً بتنفيذ البرنامج التعليمي للتطبيق بالكامل. حيث تحصل من خلال ذلك على نظرة عامة أفضل على عملية التوصيل واستخدام وظائف الاتصال.

8.3 الحماية من الفراغ التام للشحنة

- يشتمل المنتج على وظيفة الحماية من الفراغ التام للشحنة لحماية بطارية أيونات الليثيوم من فراغ الشحنة بشكل تام. وبذلك يتم حماية البطارية من تفريغ الشحن.
• يتم تفعيل وظيفة الحماية من الفراغ التام للشحنة بعد مرور 360 دقيقة.
• لغرض إيفاء فعالية وظيفة الحماية من الفراغ التام للشحنة، اخلع البطارية وأعد تركيبها.

9.3 مجموعة التجهيزات الموردة

جهاز الكبس ، دليل الاستعمال.
تجد المزيد من منتجات النظام المسموح بها للمنتج الخاص بك لدى متجر Hilti Store أو على موقع الإنترنت: www.hilti.group

4 المواصفات الفنية

| BX 3-ME-22 | BX 3-L-22 | BX 3-22 | |
|--------------------------------------|--------------------------------------|--------------------------------------|--|
| 3.4 كجم | 3.5 كجم | 3.5 كجم | الوزن حسب EPTA بدون Procedure 01 البطارية |
| 14 مم ... 24 مم | 14 مم ... 36 مم | 14 مم ... 30 مم | طول المسامير في نمط الغزارة |
| 30 مم ... 36 مم | */° | */° | طول المسامير في نمط الكبس الأحادي |
| 3 مم | 2.75 مم ... 3.0 مم | 3 مم | قطر المسامير |
| 20 مسمار | 30 مسمار | 30 مسمار | سعة الغزارة |
| 12 مم | 12 مم | 12 مم | شوط الكبس |
| 50 نيوتن ... 70 نيوتن | 50 نيوتن ... 70 نيوتن | 50 نيوتن ... 70 نيوتن | قوة الكبس |
| 700/ساعة | 700/ساعة | 700/ساعة | تردد الكبس الأقصى الموصى به في درجة حرارة المكان |
| 21.6 فلط | 21.6 فلط | 21.6 فلط | الجهد الكهربائي الاسمي |
| 8 ديسيبيل/ملي واط | 8 ديسيبيل/ملي واط | 8 ديسيبيل/ملي واط | أقصى قدرة إرسال صادرة من Bluetooth® |
| 2,402 ميغاهرتز ... 2,480 ميغاهرتز | 2,402 ميغاهرتز ... 2,480 ميغاهرتز | 2,402 ميغاهرتز ... 2,480 ميغاهرتز | نطاق تردد خاصية بلوتوث |
| 20° م ... 70° م | 20° م ... 70° م | 20° م ... 70° م | درجة حرارة التخزين |
| 17° م ... 60° م | 17° م ... 60° م | 17° م ... 60° م | درجة الحرارة المحيطة أثناء التشغيل |



| | |
|------------------------------------|-----------------------|
| جهد تشغيل البطارية | 21.6 فولت |
| وزن البطارية | انظر نهاية هذا الدليل |
| درجة الحرارة المحيطة أثناء التشغيل | -17 °م ... 60 °م |
| درجة حرارة التخزين | -20 °م ... 40 °م |
| درجة حرارة البطارية عند بدء الشحن | -10 °م ... 45 °م |

2.4 قيم الضوضاء والاهتزاز طبقا للمواصفة EN 62841

تم قياس ضغط الصوت وقيم الاهتزاز الواردة في هذا الدليل طبقا لأحد معايير القياس المحددة ويمكن الاستعانة بها في إجراء مقارنة بين الأدوات الكهربائية مع بعضها البعض. وهي مناسبة أيضا لتقدير حجم المخاطر بصورة أولية.

المواصفات الواردة تتعلق بالاستخدامات الأساسية للأداة الكهربائية. أما إذا تم استخدام الأداة الكهربائية في تطبيقات أخرى مع أدوات شغل مخالفة للمواصفات أو دون صيانة كافية، ففي هذه الحالة قد تختلف المواصفات. وقد يزيد هذا من نسبة المخاطر طوال مدة العمل بصورة واضحة.

وللحصول على تقدير دقيق لحجم المخاطر ينبغي أيضا مراعاة الأوقات التي يتم فيها إيقاف الجهاز أو التي يتم فيها تشغيل الجهاز ولكن دون استخدام حقيقي. وقد يقلل هذا من نسبة المخاطر طوال مدة العمل بصورة واضحة. احرص على اتخاذ إجراءات إضافية للسلامة من شأنها حماية المستخدم من تأثير الضجيج و/أو الاهتزازات مثل: صيانة الأداة الكهربائية وأدوات الشغل والمفاظ على الأيدي في حالة دافئة وتنظيم مراحل العمل.

معلومات الضجيج

| BX 3-ME-22 | BX 3-L-22 | BX 3-22 | | |
|------------|------------|------------|---------|---|
| 96 ديسيبل | 96 ديسيبل | 96 ديسيبل | الخرساز | منسوب معدل الصوت الاعتيادي المنبعث مصنّف بالفئة A (عند إدخال المسامير) (L_{WA}) |
| 100 ديسيبل | 100 ديسيبل | 100 ديسيبل | فولاذ | |
| 85 ديسيبل | 85 ديسيبل | 85 ديسيبل | الخرساز | منسوب ضغط الصوت الاعتيادي المنبعث مصنّف بالفئة A (عند إدخال المسامير) (L_{pA}) |
| 89 ديسيبل | 89 ديسيبل | 89 ديسيبل | فولاذ | |
| 3 ديسيبل | 3 ديسيبل | 3 ديسيبل | | نسبة التفاوت بالنسبة لمستويات الصوت المذكورة (كيلوواط/ كيلوباسكال) |

قيمة الاهتزاز الإجمالية غير المُقيدة (في الاتجاه z)

| BX 3-ME-22 | BX 3-L-22 | BX 3-22 | | |
|--------------------------|--------------------------|--------------------------|---------|--|
| 2.5 م/ثانية ² | 2.5 م/ثانية ² | 2.5 م/ثانية ² | الخرساز | قيمة انبعاثات الاهتزاز (عند إدخال المسامير) مع بطارية B22 55 (a _n) |
| 3.3 م/ثانية ² | 3.3 م/ثانية ² | 3.3 م/ثانية ² | فولاذ | |
| 2.9 م/ثانية ² | 2.9 م/ثانية ² | 2.9 م/ثانية ² | الخرساز | قيمة انبعاثات الاهتزاز (عند إدخال المسامير) مع بطارية B22 85 (a _n) |
| 3.5 م/ثانية ² | 3.5 م/ثانية ² | 3.5 م/ثانية ² | فولاذ | |
| 1.5 م/ثانية ² | 1.5 م/ثانية ² | 1.5 م/ثانية ² | | نسبة التفاوت (K) |

5 التحضير للعمل

تحذير

خطر الإصابة من خلال التشغيل غير المقصود!

- تأكد قبل إدخال البطاريات أن الجهاز المختص مطفأ.
- اخلع البطارية قبل إجراء عمليات ضبط الجهاز أو تغيير أجزاء الملحقات التكميلية.

تراجعى إرشادات الأمان والإرشادات التحذيرية الواردة في هذا المستند وعلى الجهاز.

1.5 شحن البطارية

- قبل الشحن، قم بقراءة دليل استعمال جهاز الشحن.
- احرص على أن تكون أطراف تلامس البطارية وجهاز الشحن نظيفة وجافة.
- قم بشحن البطارية باستخدام شاحن مصغر به. ← صفحة 243



2.5 تركيب البطارية

تحذير

خطر الإصابة من خلال قفلة كهربائية أو سقوط البطارية!

- ◀ تأكد قبل تركيب البطاريات في الجهاز من عدم وجود أجسام غريبة بين أطراف توصيل البطارية والجهاز.
- ◀ تأكد من تثبيت البطارية بشكل صحيح دائما.

1. اشحن البطارية لآخرها تماما قبل التشغيل لأول مرة.
2. قم بتحريك البطارية في المنتج إلى أن تستقر في موضعها بصوت مسموع.
3. تفحص البطارية من حيث ثباتها في موضعها بشكل جيد.

3.5 خلع البطارية

1. اضغط على زر تحرير البطارية.
2. اسحب البطارية من المنتج.

4.5 فك موجّه المسامير

1. اسحب مزلاج المسامير لأسفل إلى أن يثبت في موضعه.
2. قم بتفريغ الخزانة. ← صفحة 251
3. ادفق قفل موجّه المسامير حتى النهاية في اتجاه السهم.
- ◀ يتم تحرير موجّه المسامير.
4. اخلع موجّه المسامير.

5.5 تركيب موجّه المسامير

1. اسحب مزلاج المسامير لأسفل إلى أن يثبت في موضعه.
2. قم بتفريغ الخزانة. ← صفحة 251
3. ادفق قفل موجّه المسامير حتى النهاية في اتجاه السهم واحتفظ به في هذه الوضع.
4. ادفق موجّه المسامير إلى أن يثبت بصوت مسموع في رأس الجهاز.
5. اترك قفل موجّه المسامير.
- ◀ ينتقل قفل موجّه المسامير إلى الوضع الأوسط.
6. تأكد من ثباته من خلال إحكام ربط موجّه المسامير.

6.5 العمل بأمان مع خطافات الأحزمة وخطافات التعليق 2

- ◀ تأكد قبل بدء العمل أن خطاف الحزام / خطاف التعليق مثبت بشكل آمن على المنتج.
- ◀ لا تستخدم خطاف الحزام/خطاف التعليق إلا بقدر الحاجة. ضع المنتج في مكان آمن، عندما لا تنوي استخدامه لفترة طويلة نسبياً.

7.5 تجبيزة الحماية من السقوط 3

تحذير

خطر الإصابة من جراء أدوات الشغل و/أو الملحقات المتساقطة!

- ◀ اقتصر على استخدام حزام تثبيت أداة الشغل من Hilti الموصى به لمنتجك.
- ◀ افحص نقطة تثبيت حزام تثبيت أداة الشغل قبل كل استخدام بحثاً عن الأضرار المحتملة.
- ◀ لا تقم بتثبيت حزام تثبيت أداة الشغل على خطاف الحزام. لا تستخدم خطاف الحزام لرفع المنتج.

احرص على مراعاة اللوائح المحلية لبلدك للعمل على المرتفعات.



اقتصر على استخدام حزام تثبيت أداة الشغل #2261970 من Hilti كتجبيزة حماية من السقوط مع هذا المنتج.

- ◀ قم بتثبيت حزام تثبيت أداة الشغل على المنتج باستخدام حلقة معدنية كما هو موضح بالصورة. تحقق من التثبيت الآمن للخفاف.



◀ قم بتثبيت الخفاف الثاني على هيكل داعم. تحقق من التثبيت الآمن للخفاف.

احرص على مراعاة دليل الاستعمال الخاص بحزام تثبيت أداة الشغل Hilti.



8.5 التعمير في نمط الخزانة

⚠ احترس:

خطر الانحصار! الارتداد السريع لمزلاج المسامير قد يؤدي لوقوع إصابات وإلحاق الضرر بجهاز الكبس.
 ▶ يرجى مراعاة تثبيت مزلاج المسامير في موضعه بشكل آمن عند سحبه لأسفل. لا تترك مزلاج المسامير يرتد بسرعة.

1. اسحب مزلاج المسامير لأسفل إلى أن يثبت في موضعه.
2. دع شريط المسامير ينزلق في الخزانة (على أقصى تقدير 3 شرائط باستخدام 10 مسامير بكل منها).
3. أحكم مسك مزلاج المسامير ثم اضغط على وسيلة تحرير مزلاج المسامير.
4. اسحب مزلاج المسامير للخلف إلى أن يلمس أحد المسامير

9.5 التعمير في نمط الكبس الأحادي

BX 3-ME-22

⚠ احترس:

خطر الانحصار! الارتداد السريع لمزلاج المسامير قد يؤدي لوقوع إصابات وإلحاق الضرر بجهاز الكبس.
 ▶ يرجى مراعاة تثبيت مزلاج المسامير في موضعه بشكل آمن عند سحبه لأسفل. لا تترك مزلاج المسامير يرتد بسرعة.

1. اسحب مزلاج المسامير لأسفل إلى أن يثبت في موضعه.
2. دع شريط المسامير ينزلق من الخزانة وتأكد أن الخزانة فارغة.

يمكن أن يتعرض جهاز الكبس للضرر، إذا لم تقم بإزالة كل المسامير من الخزانة قبل الكبس في نمط الكبس الأحادي.



3. أحكم مسك مزلاج المسامير ثم اضغط على وسيلة تحرير مزلاج المسامير.
4. اسحب مزلاج المسامير للخلف.
5. اكبس المسامير في التجويف المخصص لذلك بموجه المسامير. بعد ذلك يمكنك اختيارياً تركيب عنصر تثبيت إضافي على موجه المسامير.

يمكن أن يؤدي الكبس بأكثر من مسامير في موجه المسامير إلى إلحاق الضرر بجهاز الكبس. قم بتعمير موجه المسامير في نمط الكبس الأحادي بمسمار واحد على أقصى تقدير.



6. اضغط على مفتاح الكبس الأحادي.

▶ يتم تثبيت مفتاح الكبس الأحادي بصوت مسموع.

إذا تم سحب مزلاج المسامير عدة سنتيمترات لأسفل، يحرر مفتاح الكبس الأحادي مرة ثانية.



6 الاستعمال

تراجع إرشادات الأمان والإرشادات التحذيرية الواردة في هذا المستند وعلى الجهاز.

1.6 استخدام قاعدة السند

عند العمل على موضع شغل مستو تقوم قاعدة السند بتسهيل وضع جهاز الكبس بزاوية قائمة لأنه يجب مراعاة ضبط الوضع بزاوية قائمة في الاتجاه الجانبي فقط. قد يكون من الضروري طي قاعدة السند عند العمل على موضع شغل غير مستو، وذلك لمحاذاة موجه المسامير بزاوية قائمة بالنسبة لموضع الشغل.

1.1.6 ضم قاعدة السند

1. اضغط باتجاه قاعدة السند لتحريرها من موضع تثبيتها.



2. قم بتحريك قاعدة السند إلى الخلف.

2.1.6 فرد قاعدة السند

⚠️ احترس:

خطر الانحصار! عند طي قاعدة السند ينشأ خطر انحصار الأصابع بين قاعدة السند وجسم الجهاز.
 ◀ أمسك جهاز الكيس من المقبض عند طي قاعدة السند.

1. قم بتحريك قاعدة السند إلى الأمام.
2. اضغط على قاعدة السند من أسفل لتثبيتها في وضع الفرد.

2.6 إيقاف وظيفة Bluetooth (تجهيز اختياري)

- ◀ اضغط على جهاز الكيس لمدة 10 ثوانٍ على موضع الشغل.
- ◀ بعد مرور 6 ثوانٍ، يتم إطفاء النابض بصوت مسموع (احتفظ بجهاز الكيس مضغوطاً لمدة 4 ثوانٍ أخرى).
- ◀ يومض بيان الحالة 3 مرات باللون الأزرق.
- ◀ يصدر ضجيج المحرك 3 مرات.
- ◀ لا تتاح عملية نقل البيانات.

i إذا كنت متواجداً في محيط حساس (مستشفى مثلاً)، حيث لا يُسمح باستخدام خاصية بلوتوث، فإنه يمكنك إيقاف فعالية خاصية بلوتوث.
 لإعادة تشغيل وظيفة Bluetooth، اخلع البطارية وأعد تركيبها من جديد.

3.6 تشغيل/إيقاف جهاز الكيس

1.3.6 تشغيل جهاز الكيس

⚠️ تحذير

خطر الإصابة! الضغط على جهاز الكيس في اتجاه أحد أجزاء الجسم قد يؤدي لوقوع إصابات بالغة من خلال الانطلاق غير المقصود لعملية الكيس.
 ◀ لا تضغط جهاز الكيس على يدك أو على جزء آخر من الجسم.

1. في نمط الخزانة، قم بتحميل الخزانة. ← صفحة 249
2. قم بتركيب البطارية. ← صفحة 248
- ◀ يومض بيان الحالة ببطء باللون الأخضر.

i عند التشغيل في حالة انخفاض قدرة البطارية يتوقف جهاز الكيس قبل أن تتعرض خلايا البطارية للضرر.

3. اضغط على جهاز الكيس لتشغيله باتجاه موضع شغل مناسب.
- ◀ يتم شد جهاز الكيس.
- ◀ يُضيء بيان الحالة باللون الأخضر.

2.3.6 إيقاف جهاز الكيس

- ◀ اخلع البطارية. ← صفحة 248
- ◀ يتم شد النابض بصوت مسموع وينطفئ بيان الحالة.

i بعد مرور 6 دقائق، يتولد عن جهاز الكيس ضجيج من المحرك كتنبيه إلى توقف جهاز الكيس حالاً. بعد صدور التنبيه، يتوقف جهاز الكيس تلقائياً.

4.6 إجراء عملية الكيس

⚠️ تحذير

خطر الإصابة! من خلال عناصر التثبيت السائبة!
 ◀ تأكد قبل كبس عناصر التثبيت من عدم وقوف أحد الأشخاص خلف أو أسفل الجزء التركيبي الذي سيتم كبس عنصر التثبيت فيه.



تحذير ⚠

خطر الإصابة من جراء الأجزاء المتطايرة! أثناء عملية الكبس يكون هناك خطر حدوث إصابات في الجسم والعينين نتيجة للضربات المتطايرة من الأرضية والأجزاء المقذوفة من شريط المسامير.

◀ **احرص على ارتداء تجهيزات الحماية الشخصية وارتد دائمًا نظارة واقية للعينين وقفاز واق.** يجب أيضًا على الأشخاص الموجودين بالنطاق المحيط ارتداء واق للعينين وخوذة وقاية.

تحذير ⚠

خطر الإصابة! الضغط على جهاز الكبس في اتجاه أحد أجزاء الجسم قد يؤدي لوقوع إصابات بالغة من خلال الانطلاق غير المقصود لعملية الكبس.

◀ **لا تضغط جهاز الكبس على يدك أو على جزء آخر من الجسم.**

1. قبل بدء العمل، قم بتجربة كبس عنصري تثبيت في موضع الشغل.
2. ضع جهاز الكبس على موضع الشغل بزواوية قائمة واضغط على مُوجه المسامير حتى النهاية.
 - ◀ يتم تشغيل جهاز الكبس.
3. قم بإجراء عملية الكبس عن طريق ضغط عنصر الأمان.
4. بعد الانتهاء من عملية الكبس ارفع جهاز الكبس عن موضع الشغل تمامًا.

i إذا تم ضغط مُوجه المسامير على موضع الشغل لمدة تزيد على 6 ثوان دون القيام بأي عملية كبس، فسوف يتم تغيير جهاز الكبس تلقائيًا إلى وضع الاستعداد. يتم إعادة تعبئة جهاز الكبس من خلال إعادة تركيب طرف الجهاز على موضع الشغل.

5.6 خلع المسامير في نمط الخزائنة

1. اسحب مزلاج المسامير لأسفل إلى أن يثبت في موضعه.
2. حرك المسامير إلى أسفل لإخراجها من الخزائنة.
3. أحكم مسك مزلاج المسامير ثم اضغط على وسيلة تحرير مزلاج المسامير.
4. اسحب مزلاج المسامير للخلف إلى الوضع الأصلي.

6.6 خلع المسامير المنحصر

تحذير ⚠

خطر الإصابة وإلحاق الضرر بجهاز الكبس. استخدام أشياء غير مناسبة بدلاً من الملحقات الأصلية الموصى بها من Hilti يمكن أن تؤدي لحدوث إصابات وإلحاق الضرر بجهاز الكبس.

◀ اقتصر على استخدام طقم السنك الموصى به عند خلع مسامير منحصر.

تحذير ⚠

خطر الإصابة من جراء الأجزاء المتطايرة! قد تتسبب عملية الكبس في حدوث إصابات من جراء الأجزاء المتطايرة في حالة تواجد أجسام غريبة في نطاق موجه الخوابير أو في حالة انحصار عناصر التثبيت في موجه الخوابير.

◀ لا تحاول أبدا التغلب على الاختلالات بجهاز الكبس من خلال القيام بعمليات كبس أخرى!

i قد تتعرض المسامير المفردة للانحصار في موجه المسامير. باستخدام طقم السنك X-NP يمكنك خلع المسامير المنحصرة من موجه المسامير بسهولة. تجد الملحقات لدى متجر Hilti أو أولتاين على الموقع الإلكتروني www.hilti.group.

1. قم بخلع موجه المسامير (انظر ← صفحة 248).
2. أدخل موجه المسامير في جلبة طقم السنك.
3. قم بالدق على المسامير المنحصرة لإخراجها من موجه المسامير باستخدام السنك أو مطرقة.
4. قم بتركيب موجه المسامير (انظر ← صفحة 248).



**تحذير**
خطر الإصابة عند تكون البطارية مركبة !

← احرص على خلع البطارية دائما قبل جميع أعمال الإصلاح والعناية!

العناية بالمنتج

- احرص على إزالة الاتساخات شديدة الالتصاق مع توخي الحرص.
- في حالة وجودها، قم بتنظيف فتحات التهوية بحرص باستخدام فرشاة جافة وناعمة.
- قم بتنظيف جسم المنتج باستخدام قطعة قماش مُبللة بعض الشيء. لا تستخدم مواد عناية محتوية على سيليكون، نظرًا لأنها قد تؤدي إلى تلف الأجزاء البلاستيكية.
- استخدم قطعة قماش نظيفة وجافة لتنظيف ملامسات المنتج.

العناية ببطاريات أيونات الليثيوم

- لا تقم مطلقًا باستخدام بطارية ذات فتحات تهوية مسدودة. قم بتنظيف فتحات التهوية بحرص باستخدام فرشاة جافة وناعمة.
- تجنب تعريض البطارية للغبار أو الاتساخات دون داع. لا تقم مطلقًا بتعريض البطارية للرطوبة المرتفعة (على سبيل المثال، غمرها في الماء أو تركها تحت الأمطار).
- في حالة بلل البطارية، تعامل معها كبطارية تالفة. اعزل البطارية في وعاء غير قابل للاشتعال وتوجه إلى مركز خدمة Hilti.
- حافظ على البطارية خالية من الزيت والشحم الخارجي. لا تسمح للغبار أو الاتساخات بالتراكم دون داع على البطارية. قم بتنظيف البطارية باستخدام فرشاة جافة وناعمة أو قطعة قماش نظيفة وجافة. لا تستخدم مواد عناية محتوية على سيليكون، نظرًا لأنها قد تؤدي إلى تلف الأجزاء البلاستيكية.
- لا تلمس ملامسات البطارية ولا تقم بإزالة الشحم الموجود من قبل المصنع عن الملامسات.
- قم بتنظيف جسم المنتج باستخدام قطعة قماش مُبللة بعض الشيء. لا تستخدم مواد عناية محتوية على سيليكون، نظرًا لأنها قد تؤدي إلى تلف الأجزاء البلاستيكية.

الصيانة

- احرص بصورة منتظمة على فحص الأجزاء المرئية من حيث وجود أضرار وافحص عناصر الاستعمال من حيث كفاءتها الوظيفية.
- لا تقم بتشغيل الجهاز في حالة وجود أضرار و/أو اختلالات وظيفية. احرص على إصلاح الجهاز على وجه السرعة لدى خدمة Hilti.
- بعد أعمال العناية والإصلاح قم بتركيب جميع تجهيزات الحماية وافحصها من حيث الأداء الوظيفي السليم.



للتشغيل الآمن اقتصر على استخدام قطع الغيار الأصلية وخامات الشغل. تجد قطع الغيار وخامات الشغل والملحقات المصرح بها من Hilti للمنتج الخاص بك في متجر **Hilti Store** أو على موقع الإنترنت: www.hilti.group

1.7 تنظيف الجهة الداخلية لرأس الجهاز

1. قم بفك موّجّ المسامير. ← صفحة 248
2. قم بتنظيف الجهة الداخلية لرأس الجهاز.
3. قم بتركيب موّجّ المسامير. ← صفحة 248

8 نقل وتخزين أدوات الشغل العاملة ببطارية والبطاريات**النقل****احترس:****التشغيل غير مقصود عند النقل !**

← قم بنقل المنتج دائما بدون البطاريات!

- اخلع البطاريات.
- احرص دائمًا على نقل وتخزين الجهاز في حقيبة مؤمنة.
- تجنب نقل البطاريات في كميات سائبة. ينبغي أثناء النقل حماية البطاريات من الاصطدام العنيف والاهتزازات، وكذلك عزلها عن أية مواد موصلة للكهرباء أو أية بطاريات أخرى، وذلك حتى لا تتلامس



- مع أقطاب بطاريات أخرى ومن ثم حدوث قفلة كهربائية. **احرص على مراعاة تعليمات النقل المملية للبطاريات.**
- ◀ لا يجوز إرسال البطاريات عن طريق البريد. توجه إلى شركة شحن، إذا كنت ترغب في إرسال بطاريات غير تالفة.
 - ◀ افحص المنتج والبطاريات من حيث وجود أضرار قبل كل استخدام وقبل وبعد النقل لمسافة طويلة.

التخزين



أضرار غير مقصودة بسبب البطاريات التالفة أو التي بها تسريب.!

- ◀ قم بتخزين المنتج دائما بدون البطاريات!
- ◀ يجب تخزين المنتج والبطاريات في مكان بارد وجاف. احرص على مراعاة القيم الحدية لدرجات الحرارة الواردة في المواصفات الفنية.
- ◀ لا تحتفظ بالبطاريات على جهاز الشحن. قم دائما بإزالة البطارية من الشاحن بعد انتهاء عملية الشحن.
- ◀ لا تقم مطلقا بتخزين البطاريات في مكان تكون فيه معرضة لأشعة الشمس المباشرة أو مصادر الحرارة أو خلف الزجاج.
- ◀ احرص على تخزين المنتج والبطاريات في مكان يصعب على الأطفال وغير المؤهلين لاستخدامه الوصول إليه.
- ◀ افحص المنتج والبطاريات من حيث وجود أضرار قبل كل استخدام وقبل وبعد التخزين لفترة طويلة.

9 المساعدة في حالات الاختلالات

ما لم يُذكر خلاف ذلك، فإن جميع إشارات الضوء المشروحة تعتمد على مابين حالة جهاز الكبس. في حالات حدوث الاختلالات، قم بمراقبة بيان حالة الشحن وبيان الأخطاء للبطارية. انظر الفصل **بيانات بطارية أيونات الليثيوم**. في حالة وجود اختلالات غير واردة في هذا الجدول، أو لم تستطع التغلب عليها بنفسك توجه إلى مركز خدمة Hilti.

| الخلل | السبب المحتمل | الحل |
|--|---------------------------------------|---|
| يومض مابين الحالة باللون الأخضر. | البطارية فارغة الشحنة. | ◀ قم بتغيير البطارية. |
| لا يتم شد النايبض ويومض مابين الحالة باللون الأخضر. | البطارية فارغة الشحنة. | ◀ قم بتغيير البطارية. |
| يتعذر ضغط موجه المسامير ومابين الحالة يضيء باللون الأزرق . | الخانزة فارغة. | ◀ في نمط الخانزة، قم بتعمير الخانزة. ← صفحة 249 |
| يتعذر ضغط موجه المسامير ومابين الحالة يضيء باللون الأخضر . | انحصار مزلاج المسامير. | ◀ أخرج شريط المسامير من الخانزة وقم بتنظيف الخانزة. |
| | انحصار مسمار في موجه المسامير. | ◀ اخلع المسمار المنحصر. ← صفحة 251 |
| يتم شد النايبض ببطء، يومض مابين الحالة باللون الأزرق، وفي نفس الوقت تصدر إشارة صوتية، بعد ذلك، يضيء مابين الحالة باللون الأزرق لمدة 6 دقائق. | الخانزة فارغة. | ◀ في نمط الخانزة، قم بتعمير الخانزة. ← صفحة 249 |
| لا يتم إعادة شد النايبض، ويومض مابين الحالة باللون الأصفر. | ارتفاع درجة حرارة جهاز الكبس. | ◀ اترك جهاز الكبس يبرد. |
| | درجة حرارة البطارية مرتفعة للغاية. | ◀ اترك البطارية تبرد. |
| | درجة حرارة البطارية منخفضة للغاية. | ◀ اترك البطارية تسخن ببطء حتى درجة حرارة الغرفة. |
| لا يتم شد النايبض ويومض مابين الحالة باللون الأحمر. | لم يتم تركيب موجه المسامير بشكل صحيح. | ◀ قم بتركيب موجه المسامير. ← صفحة 248 |
| لا يتم شد النايبض ويضيء مابين الحالة باللون الأحمر. | عطل بالجهاز. | ◀ توجه إلى مركز خدمة Hilti. |
| لا يتم شد النايبض، لا يضيء مابين الحالة. | البطارية فارغة الشحنة. | ◀ قم بتغيير البطارية. |



| الخلل | السبب المحتمل | الحل |
|--|---|--|
| لا يتم شد الناбус، لا يضيء مابين الحالة. | لم يتم تركيب البطارية بشكل صحيح. | ◀ اخلع البطارية وقم بتركيبها بشكل صحيح. ← صفحة 248 |
| | وظيفة حماية البطارية من تفريغ الشحن التام مُفعلة. | ◀ اخلع البطارية وأعد تركيبها. |
| انحصار موجه المسامير في الوضع المضغوط. | توجد اتساخات بين موجه المسامير ورأس الجهاز. | ◀ قم بتنظيف الجهة الداخلية لرأس الجهاز. ← صفحة 252 |

10 التكبين



- خطر الإصابة من جراء التكبين غير المطابق للتعليمات!** خطر على الصحة من جراء الغازات والسوائل المتسربة.
- ◀ لا تقم بإرسال أو توريد بطاريات تالفة!
 - ◀ قم بتغطية التوصيلات باستخدام مادة غير موصلة للكهرباء وذلك لتجنب حدوث قفلات كهربائية.
 - ◀ تخلص من البطاريات بحيث لا تصل إلى متناول الأطفال.
 - ◀ تخلص من البطارية لدى متجر **Hilti Store** أو توجه إلى مركز التخلص من النفايات المختص.

منتجات **Hilti** مصنوعة بنسبة كبيرة من مواد قابلة لإعادة التدوير. يشترط إعادة التدوير أن يتم فصل الخامات بشكل سليم فنياً. في كثير من الدول تقوم **Hilti** باستعادة جهازك القديم لإعادة الانتفاع به. توجه بأستلتك لخدمة عملاء **Hilti** أو لمستشار المبيعات.

- ◀ لا تلق الأدوات الكهربائية، الأجهزة الإلكترونية والبطاريات ضمن القمامة المنزلية!

11 ضمان الجهة الصانعة

- ◀ في حالة وجود أية استفسارات بخصوص شروط الضمان، يرجى التوجه إلى وكيل **Hilti** المحلي التابع لك.

12 مزيد من المعلومات

تجد مزيداً من المعلومات حول الاستعمال والتقنية والبيئة وإعادة التدوير تحت الرابط التالي:
qr.hilti.com/manual?id=2268212&id=2268213
 تجد هذا الرابط أيضاً في نهاية المستند ككود QR.



オリジナル取扱説明書

1 文書について

1.1 本書について

- ご使用前に本書をすべてお読みください。このことは、安全な作業と問題のない取扱いのための前提条件となります。
- 本書および製品に記載されている安全上の注意と警告表示に注意してください。
- 取扱説明書は常に製品とともに保管し、他の人が使用する場合には、製品と取扱説明書を一緒にお渡しください。

1.2 記号の説明

1.2.1 警告表示

警告表示は製品の取扱いにおける危険について警告するものです。以下の注意喚起語が使用されています：



危険

危険！

- ▶ この表記は、重傷あるいは死亡事故につながる危険性がある場合に注意を促すために使われます。



警告

警告！

- ▶ この表記は、重傷あるいは死亡事故につながる可能性がある場合に注意を促すために使われます。



注意

注意！

- ▶ この表記は、身体の負傷あるいは物財の損傷が発生する可能性がある場合に使われます。

1.2.2 取扱説明書の記号

この取扱説明書では、以下の記号が使用されています：

| | |
|--|--------------------------------|
| | 取扱説明書に注意してください |
| | 本製品を効率良く取り扱うための注意事項や役に立つ情報 |
| | リサイクル可能な部品の取扱い |
| | 電動工具およびバッテリーを一般ゴミとして廃棄してはなりません |
| | Hilti Li-Ion バッテリー |
| | Hilti 充電器 |

1.2.3 図中の記号

図中では以下の記号が使用されています：

| | |
|---|---|
| | この数字は本取扱説明書冒頭にある該当図を示しています。 |
| 3 | 付番は図中の作業手順の順序に対応していて、本文の作業手順とは一致しない場合があります。 |
| | 概要図には項目番号が付されていて、製品概要セクションの凡例の番号に対応しています。 |
| | この記号は、製品の取扱いの際に特に注意が必要なことを示しています。 |



1.3 製品により異なる記号

1.3.1 製品に表示されている記号

製品には以下の記号が使用されている場合があります：

| | |
|--------|--|
| | 一般的な義務表示 |
| | アイシールドを着用してください |
| | 耳栓を着用してください |
| | 保護ヘルメットを着用してください |
| | 本製品は、iOS および Android プラットフォームと互換性のある NFC テクノロジーをサポートしています。 |
| Li-Ion | Li-Ionen バッテリー |
| | バッテリーは決して打撃工具として使用しないでください。 |
| | バッテリーは落下させないでください。ぶつけたり、あるいはその他の理由で損傷しているバッテリーは使用しないでください。 |

1.4 製品情報

製品はプロ仕様で製作されており、その使用、保守、修理を行うのは、認定を受けトレーニングされた人のみに限ります。これらの人は、遭遇し得る危険に関する情報を入手していなければなりません。製品およびアクセサリーの使用法を知らない者による誤使用、あるいは規定外の使用は危険です。

機種名および製造番号は銘板に表示されています。

- ▶ 製造番号を以下の表に書き写しておいてください。ヒルティ代理店やサービスセンターへお問い合わせの際には、製品データが必要になります。

製品データ

| | |
|------|----------------------------------|
| 鋸打機 | BX 3-22 BX 3-L-22 BX 3-ME-22 |
| 製品世代 | 03 |
| 製造番号 | |

1.5 適合宣言

製造者は、単独の責任において本書で説明している製品が有効な法規と有効な標準規格に適合していることを宣言します。適合宣言書の複写は本書の末尾にあります。

技術資料は本書の後続の頁に記載されています：

Hilti Entwicklungsgesellschaft mbH | Zulassung Geräte | Hiltistraße 6 | 86916 Kaufering, DE

2 安全

2.1 電動工具の一般安全注意事項

⚠ 警告事項 本電動工具に付属のすべての安全上の注意、指示事項、図、および製品仕様をお読みください。以下の指示を守らないと、感電、火災および / または重傷事故の危険があります。

安全上の注意および指示事項が書かれた説明書はすべて大切に保管してください。

安全上の注意で使用する用語「電動工具」とは、お手持ちの電動ツール（電源コード使用）またはバッテリーツール（コードレス）を指します。

作業環境に関する安全

- ▶ 作業場はきれいに保ち、十分に明るくしてください。ちらかった暗い場所での作業は事故の原因となります。
- ▶ 爆発の危険性のある環境（可燃性液体、ガスおよび粉じんのある場所）では電動工具を使用しないでください。電動工具から火花が飛散し、粉じんや揮発性ガスに引火する恐れがあります。
- ▶ 電動工具の使用時、子供や無関係者を作業場へ近づけないでください。作業中に気がそらされると、本体のコントロールを失ってしまう恐れがあります。



電気に関する安全注意事項

- ▶ 電動工具の接続プラグは電源コンセントにきちんと適合しなければなりません。プラグは絶対に変更しないでください。保護接地した電動工具と一緒にアダプタープラグを使用しないでください。オリジナルのプラグと適切なコンセントを使用することにより、感電の危険を小さくすることができます。
- ▶ パイプ、ラジエーター、電子レンジ、冷蔵庫などのアースされた面に体の一部が触れないようにしてください。体が触れると感電の危険が大きくなります。
- ▶ 電動工具を雨や湿気から保護してください。電動工具に水が浸入すると、感電の危険が大きくなります。
- ▶ 電動工具を持ち運んだり、吊り下げたり、コンセントからプラグを抜いたりするときは、必ず本体を持ち、電源コードを持ったり引っ張ったりしないでください。電源コードを火気、オイル、鋭利な刃物、可動部等に触れる場所に置かないでください。電源コードが損傷したり絡まったりしていると、感電の危険が大きくなります。
- ▶ 屋外工事の場合には、必ず屋外専用の延長コードを使用してください。屋外専用の延長コードを使用すると、感電の危険が小さくなります。
- ▶ 湿った場所で電動工具を動作させる必要がある場合は、漏電遮断器を使用してください。漏電遮断器を使用すると、感電の危険が小さくなります。

作業者に関する安全

- ▶ 電動工具を使用の際には、油断せずに十分注意し、常識をもった作業をおこなってください。疲れている場合、薬物、医薬品服用およびアルコール飲用による影響下にある場合には電動工具を使用しないでください。電動工具使用中の瞬間の不注意が重傷の原因となることがあります。
- ▶ 個人用保護具および保護メガネを常に着用してください。負傷の危険を低減するために、電動工具の使用状況に応じた粉じんマスク、耐滑性の安全靴、ヘルメット、耳栓などの個人用保護具を着用してください。
- ▶ 電動工具の意図しない始動を防止して下さい。電動工具を電源および / またはバッテリーに接続する前や本体を持ち上げたり運んだりする前に、本体がオフになっていることを必ず確認してください。オン / オフスイッチが入っている状態で電動工具のスイッチに指を掛けたまま運んだり、電源に接続したりすると、事故の原因となる恐れがあります。
- ▶ 電動工具のスイッチを入れる前に、必ず調節キーやレンチを取り外してください。調節キーやレンチが本体の回転部に装着されたままでは、けがの原因となる恐れがあります。
- ▶ 作業中は不安定な姿勢をとらないでください。足元を安定させ、常にバランスを保つようにしてください。これにより、万一電動工具が異常状況に陥った場合にも、適切な対応が可能となります。
- ▶ 作業に適した作業着を着用してください。だぶだぶの衣服や装身具を着用しないでください。髪、衣服、手袋を本体の可動部に近づけないでください。だぶだぶの衣服、装身具、長い髪が可動部に巻き込まれる恐れがあります。
- ▶ 吸じんシステムの接続が可能な場合には、これらのシステムが適切に接続、使用されていることを確認してください。吸じんシステムを利用することにより、粉じん公害を防げます。
- ▶ 電動工具の取扱いに熟練している場合にも、正しい安全対策を遵守し、電動工具に関する安全規則を無視しないでください。不注意な取扱いは、ほんの一瞬で重傷事故を招くことがあります。

電動工具の使用および取扱い

- ▶ 無理のある使用を避けてください。作業用途に適した電動工具を使用してください。適切な電動工具の使用により、効率よく、スムーズかつ安全な作業が行えます。
- ▶ スイッチが故障している場合には、電動工具を使用しないでください。スイッチで始動および停止操作のできない電動工具は危険ですので、修理が必要です。
- ▶ 本体の設定やアクセサリの交換を行う前や本体を保管する前には電源プラグをコンセントから抜き、および / または脱着式のバッテリーを取り外してください。この安全処置により、電動工具の意図しない始動を防止することができます。
- ▶ 電動工具をご使用にならない場合には、子供の手の届かない場所に保管してください。電動工具に関する知識のない方、本説明書をお読みでない方による本体のご使用は避けてください。未経験者による電動工具の使用は危険です。
- ▶ 電動工具とアクセサリは慎重に手入れしてください。可動部分が引っ掛かりなく正常に作動しているか、電動工具の運転に影響を及ぼす各部分が破損・損傷していないかを確認してください。電動工具をご使用になる前に、損傷部分の修理を依頼してください。事故の多くは保守管理の不十分な電動工具の使用が原因となっています。
- ▶ 先端工具は鋭利で汚れのない状態を保ってください。お手入れのゆきとどいた先端工具を使用すると、作業が簡単かつ、スムーズになります。
- ▶ 電動工具、アクセサリ、先端工具などは、それらの説明書に記載されている指示に従って使用してください。その際は、作業環境および用途についてもご注意ください。指定された用途以外に電動工具を使用すると危険な状況をまねく恐れがあります。
- ▶ グリップとグリップ面は乾燥した清潔な状態に保ち、オイルやグリスの付着がないようにしてください。グリップやグリップ面が滑りやすい状態になっていると、予期していない状況が発生した際に電動工具を安全に使用 / 制御できません。



バッテリー工具の使用および取扱い

- ▶ バッテリーを充電する場合は、必ずメーカー推奨の充電器を使用してください。特定タイプのバッテリー専用の充電器を他のバッテリーに使用すると、火災の恐れがあります。
- ▶ 電動工具には、必ず指定されたバッテリーを使用してください。指定以外のバッテリーを使用すると、負傷や火災の恐れがあります。
- ▶ 使用されていないバッテリーの近くに、事務用クリップ、硬貨、キー、釘、ネジ、その他の小さな金属物を置かないでください。電気接点の短絡が起こることがあります。バッテリーの電気接点間が短絡すると、火傷や火災が発生する危険があります。
- ▶ 正しく使用しないと、液漏れが発生することがあります。その場合、漏れた液には触れないでください。もしも触れてしまった場合は、水で洗い流してください。バッテリー液が眼に入った場合は、水で洗い流してから医師の診察を受けてください。流出したバッテリー液により、皮膚が刺激を受けたり火傷を負う恐れがあります。
- ▶ 損傷したあるいは変更が加えられたバッテリーは使用しないでください。損傷したあるいは変更が加えられたバッテリーは、予測不可能な挙動により爆発あるいは負傷事故を発生させる危険があります。
- ▶ バッテリーは火気あるいは高温に曝さないでください。火気あるいは 130 °C (265 °F) を超える高温は、爆発の原因となることがあります。
- ▶ 充電に関するすべての指示事項に従い、バッテリーあるいはバッテリー工具は、決して取扱説明書に記載された温度範囲外で充電しないでください。正しくない充電あるいは許容温度範囲外での充電により、バッテリーが破壊され火災が発生する危険があります。

サービス

- ▶ 電動工具の修理は必ず認定サービスセンターにお申し付けください。また、必ず純正部品を使用してください。これにより電動工具の安全性が確実に維持されます。
- ▶ 損傷したバッテリーは決して手入れや保守を行わないでください。バッテリーの保守作業はすべて、メーカーあるいは権限のあるお客様サービスセンターが行うものとします。

2.2 ファスニング工具に関する安全上の注意

- ▶ 常に、電動工具にネイルが装填されている状態から操作を開始してください。ファスニング工具を慎重に取り扱わないと、ネイルが意図せずに打鉄されて負傷する危険があります。
- ▶ 電動工具を御自分や近くにいる他の人に向けてください。意図しない作動によりネイルが打鉄されて負傷の原因となることがあります。
- ▶ 電動工具は、作業材料にしっかりと押し当ててから操作してください。電動工具が作業材料と接触していないと、ネイルがファスニング位置からはね返ってしまうことがあります。
- ▶ ネイルが電動工具内でひっかかってしまった場合は、電動工具を電源から接続解除するか、バッテリーを取り外してください。ファスニング工具が電源 / バッテリーに接続されていると、ひっかかってしまったネイルを除去する際にファスニング工具が誤って作動する危険があります。
- ▶ ひっかかったネイルの除去は慎重に行ってください。ひっかかったネイルを除去している際に、システムに通電されてネイルが勢いよく打鉄される可能性があります。
- ▶ 電気ケーブルのファスニングの際には、ファスニングするケーブルに通電のないことを確認してください。ファスニング工具は必ず絶縁されたグリップ面を掴んでください。必ず電気ケーブルの敷設に適したネイルを使用してください。ネイルが電気ケーブルの絶縁を損傷していないか確認してください。ネイルが電気ケーブルの絶縁を損傷すると、感電および火災の原因となることがあります。

2.3 安全上の注意

使用者に留意して頂くこと

- ▶ 本製品を使用または整備できるのは、認定を受けトレーニングされた人のみに限ります。

個人保護用具

- ▶ 本製品の使用中は、作業者および現場で近所に居合わせる人々はアイシールド、耳栓および保護ヘルメットを着用してください。

作業者に関する安全

- ▶ 取扱説明書に記載されている使用、手入れと保守に関する事項に留意してご使用ください。
- ▶ 鋸打機を使用の際には、油断せずに十分注意し、常識をもった作業をおこなってください。疲れている場合、薬物、医薬品服用およびアルコール飲用による影響下にある場合には本製品を使用しないでください。痛みを感じる場合や体調がすぐれない時には作業を中断してください。鋸打機使用中の一瞬の不注意が重傷の原因となることがあります。
- ▶ 不安定な姿勢はとらないでください。足元を確かにし、常にバランスを保ちながら作業してください。
- ▶ 滑り止めのついた履き物を着用してください。



- ▶ 決してファスナーガイドまたはファスナーを手で引き戻さないでください。
 - ▶ ファスナーガイドあるいはファスナーを手で引き戻すと、場合によっては本製品が釘打可能状態になることがあります。打釘可能状態になると、身体部分に釘が打ち込まれる恐れがあります。
- ▶ 本製品を使用する際、腕は軽く曲げた状態にしてください（決して腕をピンと伸ばして突っ張らないこと）。
- ▶ 作業中は、作業関係者以外、特に子供が近づかないようにしてください。
- ▶ 落下する先端工具および / またはアクセサリーによる負傷の危険。作業を開始する前に、バッテリーおよび取り付けられたアクセサリーが確実に固定されていることを確認してください。
- ▶ 通気溝は常にふさがないようにしてください。通気溝が覆われることによる火傷の危険！
- ▶ ランプ（LED）を直接のぞき込んだり、LED で他の人の顔を照射したりしないでください。眼がくらむ恐れがあります。

釘打機バッテリーの慎重な取扱いおよび使用

- ▶ 貫通するファスナーによる危険！ ファスナーを打釘する前に、ファスナーを打釘する構造物の背後あるいは下に人がいないことを確認してください。
- ▶ 作業に適した製品を使用してください。本製品を本来の目的以外には使用しないでください。必ず指示にしたがい、不具合のない状態で使用してください。
- ▶ ファスナーを装填済の本製品は決して放置しないでください。
- ▶ 清掃や修理、点検をする時、ファスナーガイドの交換、休憩に入る時、あるいは保管する時には、必ず事前にファスナーを取り出してください。
- ▶ 本製品を使用しない場合は、ファスナーを取り出して、乾燥して施錠され、子供の手の届かない場所に保管してください。
- ▶ 本製品とアクセサリーに損傷がないか点検してください。可動部分が問題なく動作し、動きに硬さがないか、あるいは部品に損傷がないか点検してください。
 - ▶ すべての部品が正しく取り付けられて、本製品が支障なく作動するための条件が整っていない限りありません。故障部品は、取扱説明書に別様の記載のない限り、弊社営業担当またはHilti サービスセンターに適切な修理 / 交換を依頼してください。
- ▶ 作業を開始する前に、作業領域に埋設された電線、ガス管や水道管がないかを調査してください。電線、ガス管あるいは水道管を損傷すると、本製品外側の金属部分での感電事故、あるいは爆発が発生する可能性があります。
- ▶ 打釘にふさわしくない母材には、決して打釘しないでください。
 - ▶ 溶接した鋼材や鋳鋼、鋳物、ガラス、大理石、プラスチック、青銅、真鍮、銅、断熱材、中空煉瓦、陶磁器、薄いシートメタル（< 4 mm）および気泡コンクリートは、打釘にはふさわしくない母材です。これらの母材に打釘すると、ファスナーが折れたり、欠けたり、貫通する恐れがあります。
- ▶ 必ず本製品を母材に完全に垂直に押し付けてからトリガーを操作してください。
- ▶ ファスナーが母材からずれるのを防止するため、打釘時には必ず本製品を母材に対して直角に保持してください。
- ▶ グリップ表面は乾燥させ、清潔に保ち、オイルやグリスで汚さないようにしてください。
- ▶ 本製品を落下させないでください。
- ▶ マガジンをグリップとして使用しないでください。
- ▶ 特別に許可されている場合を除き、本製品を火災および爆発の危険のある場所で使用しないでください。
- ▶ Hilti から特に指定されている場合（例：DX-Kwik）を除き、すでに穴が開いている箇所への打釘は行わないでください。

機械的な安全対策

- ▶ 本製品またはアクセサリー、特にピストンに対して加工や改造を行わないでください。
- ▶ 本製品用として認可されたHilti純正のファスナーのみを使用してください。

熱の危険性に対する安全対策

- ▶ 推奨最大打釘数を超えないでください。
- ▶ 本製品が過度に熱くなった場合には、冷ましてください。
- ▶ 本製品が熱いうちは、決して分解しないでください。製品を冷ましてください。

2.4 バッテリーの慎重な取扱いおよび使用

- ▶ Li-Ion バッテリーの安全な取扱いと使用のために、以下の安全上の注意を遵守してください。これを守らないと、皮膚の炎症、重篤な腐食負傷、化学火傷、火災および / あるいは爆発の原因となることがあります。
- ▶ バッテリーは、必ず技術的に問題のない状態で使用してください。
- ▶ 損傷を防止して健康にとってきわめて危険なバッテリー液の漏出を防ぐため、バッテリーは慎重に取り扱ってください！



- ▶ バッテリーは決して改造したり手を加えたりしないでください！
- ▶ バッテリーを分解したり、挟んだり、80°C (176°F) 以上に加熱したり、燃やしたりしないでください。
- ▶ ぶつかけたり、あるいはその他の損傷を受けたバッテリーは、使用したり充電したりしないでください。バッテリーは、損傷の痕跡がないか定期的に点検してください。
- ▶ リサイクルあるいは修理されたバッテリーは、決して使用しないでください。
- ▶ バッテリーまたはバッテリー式電動工具は、決して打撃工具として使用しないでください。
- ▶ バッテリーは、決して直射日光、高温、火花の発生、裸火に曝さないでください。これを守らないと、爆発の原因となることがあります。
- ▶ バッテリーの電極に、指、工具、装身具あるいはその他の導電性のある物体で触れないようにしてください。これを守らないと、バッテリーの損傷、物財の損傷および負傷の原因となることがあります。
- ▶ バッテリーを雨、湿気、液体から保護してください。バッテリー内に湿気が入り込むと、短絡、感電、火傷、火災あるいは爆発の原因となることがあります。
- ▶ 必ずご使用のバッテリータイプ用に指定された充電器と電動工具を使用してください。これについては、充電器や電動工具の取扱説明書の記述を確認してください。
- ▶ バッテリーは、爆発の可能性がある場所で使用あるいは保管しないでください。
- ▶ バッテリーが掴むことのできないほどに熱くなっている場合は、故障している可能性があります。バッテリーを、目視確認が可能で可燃物のない場所に、可燃性の資材から十分な距離を設けて置いてください。バッテリーを冷ます。1時間の経過後にも掴むことのできないほどに熱い場合は、そのバッテリーは故障している可能性があります。Hilti サービスセンターにご連絡いただくか、あるいは「Hilti の Li-Ion バッテリーの安全と使用についての注意事項」をお読みください。

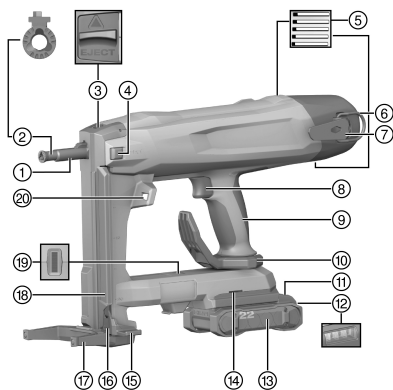


Li-Ion バッテリーの搬送、保管および使用に適用される特別の規則を遵守してください。

本取扱説明書巻末の QR コードをスキャンして、Hilti の Li-Ion バッテリーの安全と使用についての注意事項をお読みください。

3 製品の説明

3.1 製品概要



- ① ツールノーズ
- ② ファスナーガイド
- ③ ファスナーガイドロック
- ④ 単発打鋸ボタン (BX 3-ME-22)
- ⑤ 通気溝
- ⑥ 工具保持ロープ用アイ
- ⑦ ベルトフック
- ⑧ 安全トリガー
- ⑨ グリップ
- ⑩ ベルトフック / 吊り下げフック
- ⑪ バッテリーリリースボタン
- ⑫ バッテリーステータス表示
- ⑬ Li-Ion バッテリー
- ⑭ アクセサリーの取り付用開口部
- ⑮ ネイルプッシャー
- ⑯ ネイルプッシャーロック解除
- ⑰ サポートフット
- ⑱ マガジン
- ⑲ 鋸打機のステータス表示
- ⑳ 作業用照明

3.1.1 装備

ファスナーガイドとサポートフットは製品により異なります。本製品に装備されているサポートフットとファスナーガイドを以下の表に示します。

詳細情報については、ケースの蓋で確認するか、弊社営業担当または Hilti Store にお問い合わせいただくか、あるいは www.hilti.group でご確認ください。



| 製品 | BX 3-22 | BX 3-L-22 | BX 3-ME-22 |
|----------|---------------|---------------|---------------|
| ファスナーガイド | X-FG B3 IF 02 | X-FG B3 IF 02 | X-FG B3 ME |
| サポートフット | X-SL B3 03 | X-SL B3 03 | X-SL B3 ME 03 |

3.2 正しい使用

本製品は、手持ち式バッテリー式鋅打機です。本製品はコンクリート、鋼材、石材、石灰岩ブロックおよびその他の DX ファスニングに適する母材に打鋅するために設計された工具です。本製品は電気ケーブルをクリップで固定する作業にも適しています、ただしそのための適切なファスナーを使用する必要があります。必ず許可されたファスナーとそのファスナー用に指定されているファスナーガイドを組み合わせて使用してください（「製品仕様」の章を参照）。

鋅打機は、バッテリーおよびファスナーと共に「技術的に一体化されたユニット」を構成しています。即ち、本鋅打機用として特別に製造された Hilti のファスナーおよび Hilti が推奨する充電器とバッテリーを使用した場合に限り、トラブルの心配のないファスニングが保証されます。Hilti の提示するファスニングおよび用途に関する推奨事項は、この条件を守ることを前提としています。

- ▶ 鋅打機は手持ち使用でのみお使いください。
- ▶ 誤使用は認められません。きわめて柔らかい母材（木材など）および硬すぎる母材（高張力鋼、あるいはきわめて硬い自然石など）への打鋅は、誤使用とみなされます。
- 本製品には、必ず Hilti Nuron の B 22 シリーズの Li-Ion バッテリーを使用してください。最適な出力を得るため、Hilti は本製品に対して本取扱説明書の巻末の表に記載されているバッテリーをお勧めします。
- これらのバッテリーには、必ず本取扱説明書の巻末の表に記載されているシリーズの Hilti の充電器を使用してください。

3.3 安全機構

マガジンモードにおいては、ネイル検知部が鋅打機の損傷の原因となり得るミス打鋅を防止するようになっています。

接触圧安全装置はネイルの空打鋅を防止するためのものです。マガジンモードにおいては、鋅打機はネイルが装填されている状態でのみ作業対象物に押し付けて作動させることができます。

3.4 特長

本鋅打機は、人間工学に基づき設計された耐滑性振動吸収グリップ、ベルトフックと吊り下げフック、およびサポートフットを備えています。鋅打機は、電子式過負荷保護機構（スピードレギュレーター）により過負荷から、また温度モニターにより過熱から保護されています。

3.5 鋅打機のステータス表示

鋅打機のステータス表示は、鋅打機の状態を知らせるためのものです。

| 状態 | 意味 |
|--------------------|---|
| LED が消灯 | 鋅打機がオフになっています |
| LED が緑色で点灯。 | 鋅打機はオンになっていて打鋅可能な状態です |
| LED が緑色で点滅。 | バッテリーの温度が高すぎる、またはバッテリーが弱すぎる |
| LED が 3 秒ごとに緑色で点滅。 | 鋅打機はスタンバイモードです、ツールノーズを押し付けると鋅打機がオンになります |
| LED が青色で点灯。 | 鋅打機がオンになっています、ファスナーstripp を装填できます |
| LED が青色で点滅。 | 鋅打機がオンになっています、マガジンは完全に空です |
| LED が黄色で点滅。 | 鋅打機の温度が高すぎる、不具合リストを確認してください |
| LED が赤色で点滅。 | 本体の不具合、不具合リストを確認してください |
| LED が赤色で点灯。 | 本体の不具合、不具合リストを確認してください |



3.6 Li-Ion バッテリーのインジケータ

Hilti Nuron Li-Ion バッテリーは、充電状態、エラーメッセージ、およびバッテリーの状態を表示することができます。

3.6.1 充電状態およびエラーメッセージの表示



警告

負傷の危険 バッテリーの落下!

- ▶ バッテリーを装着した状態でリリースボタンを押した後は、バッテリーを確実に正しく使用する製品に再ロックするようにしてください。

次の表示を確認するには、バッテリーのリリースボタンを短く押してください。

充電状態および不具合は、接続されている製品がオンになっている間常時表示されます。

| 状態 | 意味 |
|-------------------------|---|
| 4 個の LED (4) が常時緑色で点灯 | 充電状態 : 100 %...71 % |
| 3 個の LED (3) が常時緑色で点灯 | 充電状態 : 70 %...51 % |
| 2 個の LED (2) が常時緑色で点灯 | 充電状態 : 50 %...26 % |
| 1 個の LED (1) が常時緑色で点灯 | 充電状態 : 25 %...10 % |
| 1 個の LED (1) がゆっくり緑色で点滅 | 充電状態 : < 10 % |
| 1 個の LED (1) が高速で緑色で点滅 | Li-Ion バッテリーは完全に放電しています。バッテリーを充電してください。 バッテリーの充電の後にも LED が高速で点滅する場合は、Hilti サービスセンターにご連絡ください。 |
| 1 個の LED (1) が高速で黄色で点滅 | Li-Ion バッテリーまたは接続されている製品が過負荷、過熱、低温の状態にあるか、あるいはその他の不具合が発生しています。 製品とバッテリーを推奨動作温度にし、使用時に製品が過負荷にならないようにしてください。 メッセージが引き続き出力される場合は、Hilti サービスセンターにご連絡ください。 |
| 1 個の LED (1) が黄色で点灯 | Li-Ion バッテリーとそれと接続されている製品とに互換性がありません。Hilti サービスセンターにご連絡ください。 |
| 1 個の LED (1) が高速で赤色で点滅 | Li-Ion バッテリーはロックされていて、使用できません。Hilti サービスセンターにご連絡ください。 |

3.6.2 バッテリーの状態に関する表示

バッテリーの状態を確認するには、リリースボタンを 3 秒を超えて押し続けてください。システムは、落下、異物の貫入、外部の熱源による損傷などの誤った使用に起因するバッテリーの機能異常については検知しません。

| 状態 | 意味 |
|---|---|
| すべての LED がチェイサーライトとして点灯し、続いて 1 個の LED (1) が常時緑色で点灯。 | バッテリーは引き続き使用することができます。 |
| すべての LED がチェイサーライトとして点灯し、続いて 1 個の LED (1) が速く黄色で点滅。 | バッテリーの状態確認を終了することができませんでした。手順を繰り返すか、Hilti サービスセンターにご連絡ください。 |
| すべての LED がチェイサーライトとして点灯し、続いて 1 個の LED (1) が常時赤色で点灯。 | 接続されている製品を引き続き使用できる場合、バッテリーの残り容量は 50% 未満です。 接続されている製品を引き続き使用することができない場合、バッテリーは寿命に達していて交換の必要があります。Hilti サービスセンターにご連絡ください。 |



3.7 Bluetooth® (オプション)

Bluetooth® のワードマークおよびロゴは、登録商標であり Bluetooth SIG, Inc. の所有に帰するものです。Hilti AG によるこれらのワードマーク / ロゴの使用は、すべてライセンスに基づいて行われています。

3.7.1 規定に従った使用

本製品には、Bluetooth® Low Energy モジュールが装備されています。これは電動工具の状態の点検、および Bluetooth® 無線技術をベースとした設定とデータの転送を可能にする、2 台の Bluetooth 対応機器間の短距離の相互通信を実現する無線データ転送装置です。本製品は、携帯電話および Hilti ゲートウェイによる通信とデータ転送を可能にするために開発されたものです。本製品は、受信端末の現在地、作動時間、総使用回数、所定のインターバル内での使用回数、転送のタイムスタンプなどのデータを送信することができます。提供される接続機能については、当該の Hilti アプリ、あるいはお使いの電動工具の取扱説明書でご確認ください。

3.7.2 Bluetooth® を介したデータ転送

送信インターバルは、製品が使用できる電源により異なります。有効転送距離は、使用している受信機器を含む外部条件により大きく異なります。閉鎖された空間内での使用、また金属製の障害物（壁、棚、ケース、など）により、Bluetooth® の有効転送距離は大幅に短くなることがあります。周囲条件によっては、電動工具が検知されるまでに複数回の送信インターバルが必要になることもあります。

電動工具が検知されない場合は、以下を点検してください：

モバイル端末機器との距離が大きすぎませんか？

→ モバイル端末機器と電動工具との距離を小さくしてください

3.7.3 アプリのインストールと設定

接続機能を使用するには、まず当該の Hilti アプリをインストールする必要があります。

(1) アプリは当該のアプリストアからダウンロードしてください。



当該アプリストアのユーザーアカウントが必要です。

(2) アプリを最初にスタートさせた後、ご自身のアカウントでログインするか、あるいは登録を行ってください。

(3) お使いのモバイル端末機器のディスプレイに、電動工具をモバイル端末機器と接続するためのすべての操作手順が表示されます。



まず、アプリのチュートリアルをすべて実行してください。そうすることで、接続プロセスおよび接続機能の使用についての概要を確認できます。

3.8 過放電保護

本製品は、Li-Ionen バッテリーを過放電から保護するためのディープスリープモードを備えています。これによりバッテリーが著しく放電するのを防止します。

- 過放電保護は 360 分後に作動します。
- 過放電保護を非作動にするには、バッテリーを取り外して再装着してください。

3.9 本体標準セット構成

鋏打機、取扱説明書。

その他のご使用の製品用に許可されたシステム製品については、弊社営業担当または Hilti Store にお問い合わせいただくか、あるいは www.hilti.group でご確認ください。

4 製品仕様

| | BX 3-22 | BX 3-L-22 | BX 3-ME-22 |
|-------------------------------------|-----------------|-----------------|-----------------|
| EPTA Procedure 01 に準拠した重量 (バッテリーなし) | 3.5 kg | 3.5 kg | 3.4 kg |
| ネイル長 (マガジンモード) | 14 mm ... 30 mm | 14 mm ... 36 mm | 14 mm ... 24 mm |
| ネイル長 (単発打鋏モード) | •/• | •/• | 30 mm ... 36 mm |



| | BX 3-22 | BX 3-L-22 | BX 3-ME-22 |
|--------------------|----------------------------|----------------------------|----------------------------|
| ネイル直径 | 3 mm | 2.75 mm ... 3.0 mm | 3 mm |
| マガジン収納容量 | ネイル 30 本 | ネイル 30 本 | ネイル 20 本 |
| 接触圧ストローク | 12 mm | 12 mm | 12 mm |
| 押し付け力 | 50 N ... 70 N | 50 N ... 70 N | 50 N ... 70 N |
| 室温における推奨最大打鉄数 | 700 回 / 時 | 700 回 / 時 | 700 回 / 時 |
| 定格電圧 | 21.6 V | 21.6 V | 21.6 V |
| Bluetooth® の最大送信出力 | 8 dBm | 8 dBm | 8 dBm |
| Bluetooth の周波数帯域 | 2,402 MHz ... 2,480 MHz | 2,402 MHz ... 2,480 MHz | 2,402 MHz ... 2,480 MHz |
| 保管温度 | -20 °C ... 70 °C | -20 °C ... 70 °C | -20 °C ... 70 °C |
| 作動時の周囲温度 | -17 °C ... 60 °C | -17 °C ... 60 °C | -17 °C ... 60 °C |

4.1 バッテリー

| | |
|---------------|--------------------|
| バッテリー作動電圧 | 21.6 V |
| バッテリー重量 | 本取扱説明書の巻末を参照してください |
| 作動時の周囲温度 | -17 °C ... 60 °C |
| 保管温度 | -20 °C ... 40 °C |
| 充電開始時のバッテリー温度 | -10 °C ... 45 °C |

4.2 騒音および振動値について (EN 62841 準拠)

本説明書に記載されているサウンドプレッシャー値および振動値は、規格に準拠した測定方法に基づいて測定したものです。電動工具を比較するのにご使用いただけます。曝露値の暫定的な予測にも適しています。記載されているデータは、電動工具の主要な使用方法に対する値です。電動工具を他の用途で使用したり、異なる先端工具を取り付けて使用したり、手入れや保守が十分でないまま使用した場合には、データが異なることがあります。このような相違により、作業時間全体で曝露値が著しく高くなる可能性があります。

曝露値を正確に予測するためには、本体のスイッチをオフにしている時間や、本体が作動していても実際には使用していない時間も考慮しなければなりません。このような相違により、作業時間全体で曝露値が著しく低くなる可能性があります。

作業者を騒音および / または振動による作用から保護するために、他にも安全対策を立ててください (例 : 電動工具および先端工具の手入れや保守、手を冷やさないようにする、作業手順の編成)。

騒音について

| | | BX 3-22 | BX 3-L-22 | BX 3-ME-22 |
|---|--------|---------|-----------|------------|
| サウンドパワーレベル (ネイルの打鉄の場合) (L_{WA}) | コンクリート | 96 dB | 96 dB | 96 dB |
| | 鋼材 | 100 dB | 100 dB | 100 dB |
| サウンドプレッシャーレベル (ネイルの打鉄の場合) (L_{PA}) | コンクリート | 85 dB | 85 dB | 85 dB |
| | 鋼材 | 89 dB | 89 dB | 89 dB |
| 定格騒音レベルに対する不確実性 (K_{WA} , K_{PA}) | | 3 dB | 3 dB | 3 dB |

1 軸の振動合計値 (z 方向)

| | | BX 3-22 | BX 3-L-22 | BX 3-ME-22 |
|--|--------|----------------------|----------------------|----------------------|
| 排出振動値 (ネイルの打鉄の場合)、B22 55 バッテリー使用時 (a_n) | コンクリート | 2.5 m/s ² | 2.5 m/s ² | 2.5 m/s ² |
| | 鋼材 | 3.3 m/s ² | 3.3 m/s ² | 3.3 m/s ² |
| 排出振動値 (ネイルの打鉄の場合)、B22 85 バッテリー使用時 (a_n) | コンクリート | 2.9 m/s ² | 2.9 m/s ² | 2.9 m/s ² |
| | 鋼材 | 3.5 m/s ² | 3.5 m/s ² | 3.5 m/s ² |
| 不確実性 (K) | | 1.5 m/s ² | 1.5 m/s ² | 1.5 m/s ² |



5 作業準備

警告

負傷の危険 意図しない始動！

- ▶ バッテリーを装着する前に、バッテリーを装着する製品のスイッチがオフになっていることを確認してください。
- ▶ 本体の設定、またはアクセサリーの交換の前にバッテリーを取り外してください。

本書および製品に記載されている安全上の注意と警告表示に注意してください。

5.1 バッテリーを充電する

1. 充電の前に充電器の取扱説明書をお読みください。
2. バッテリーと充電器の電気接点は汚れがなく、乾燥していることを確認してください。
3. バッテリーは許可された充電器で充電してください。→ 頁 261

5.2 バッテリーを装着する

警告

負傷の危険 短絡あるいはバッテリーの落下！

- ▶ バッテリーを装着する前に、バッテリーの電気接点と製品の電気接点に異物がないことを確認してください。
- ▶ バッテリーが正しくロックされていることを常に確認してください。

1. はじめてお使いになる前にバッテリーをフル充電してください。
2. ロックの音が聞こえるまでバッテリーを製品へとスライドさせます。
3. バッテリーがしっかりと装着されていることを確認してください。

5.3 バッテリーを取り外す

1. バッテリーのリリースボタンを押します。
2. 製品からバッテリーを抜き取ります。

5.4 ファスナーガイドを取り外す

1. ネイルプッシャーを引き下げてロックします。
2. マガジンを空にします。→ 頁 268
3. ファスナーガイドロックを矢印方向にストップ位置までずらします。
 - ▶ ファスナーガイドがロック解除されます。
4. ファスナーガイドを取り外します。

5.5 ファスナーガイドを装着する

1. ネイルプッシャーを引き下げてロックします。
2. マガジンを空にします。→ 頁 268
3. ファスナーガイドロックを矢印方向にストップ位置までずらし、その位置で保持します。
4. ファスナーガイドをロック音が聞こえるまでツールノーズに挿入します。
5. ファスナーガイドロックから手を放します。
 - ▶ ファスナーガイドロックは中央位置に戻ります。
6. ファスナーガイドを引いて、ファスナーガイドが確実に取り付けられているか点検します。

5.6 ベルトフックおよび吊り下げフックを使用する際の安全な作業²

- ▶ 作業を開始する前に、ベルトフック / 吊り下げフックが確実に本製品に固定されていることを確認してください。
- ▶ ベルトフック / 吊り下げフックの使用は最小限に留めてください。長期間に渡って使用しない場合は、本製品を安全な状態で保管してください。




5.7 転倒防止装置

警告


負傷の危険 先端工具および / あるいはアクセサリーの落下！

- ▶ 必ずご使用の製品用に推奨されているHiltiの工具保持ロープを使用してください。
- ▶ 使用の前に毎回、工具保持ロープの固定ポイントに損傷がないか点検してください。
- ▶ 工具保持ロープをベルトフックに固定しないでください。ベルトフックを製品を持ち上げるために使用しないでください。

 ご使用の国において適用される高所での作業に関する規則に注意してください。

本製品の落下防止には、必ずHiltiの工具保持ロープ#2261970を使用してください。

- ▶ 工具保持ロープは、図に示したようにカラビナで本製品に固定してください。スナップフックがしっかりと固定されていることを確認してください。
- ▶ 支持構造物に2個目のスナップフックを固定します。スナップフックがしっかりと固定されていることを確認してください。

 Hilti 工具保持ロープの取扱説明書の記載に注意してください。

5.8 マガジンモードのための装填

注意

挫傷の危険！ ネイルプッシャーが突然に戻って負傷する危険、および鋏打機が損傷する危険があります。

- ▶ ネイルプッシャーを引き下げる際には、確実にロックされていることを確認してください。ネイルプッシャーが突然に戻ることがあってはなりません。

1. ネイルプッシャーを引き下げてロックします。
2. ファスナーストリップをマガジンへと滑り込ませます（最大でそれぞれ10個のネイルのある3本のストリップを装填可能）。
3. ネイルプッシャーを保持し、ネイルプッシャーロック解除を押します。
4. ネイルプッシャーをネイルに接触するまで戻します。

5.9 単発打鋏モードのための装填


BX 3-ME-22

注意


挫傷の危険！ ネイルプッシャーが突然に戻って負傷する危険、および鋏打機が損傷する危険があります。

- ▶ ネイルプッシャーを引き下げる際には、確実にロックされていることを確認してください。ネイルプッシャーが突然に戻ることがあってはなりません。

1. ネイルプッシャーを引き下げてロックします。
2. ファスナーストリップをマガジンから滑り出させ、マガジンが空であることを確認します。

 単発打鋏モードでの打鋏の前にすべてのネイルをマガジンから取り外していないと、鋏打機が損傷する危険があります。

3. ネイルプッシャーを保持し、ネイルプッシャーロック解除を押します。
4. ネイルプッシャーを元の位置に戻します。
5. ネイルを、ファスナーガイドのくぼみにセットします。オプションで、これに続いて許容されているファスナーをファスナーガイドに追加装填することができます。

 2個以上のネイルをファスナーガイドにセットすると、鋏打機の損傷の原因となることがあります。単発打鋏モードでは、装填するファスナーガイドは必ずネイルが1個だけのものにしてください。



6. 単発打鉋スイッチを操作します。
 - ▶ 単発打鉋スイッチがロックする音が聞こえます。



ネイルブッシャーを数 cm ほど下方へ引くと、単発打鉋スイッチは解除されます。

6 ご使用方法

本書および製品に記載されている安全上の注意と警告表示に注意してください。

6.1 サポートフットの使用

サポートフットを使用すると側方方向の直角位置決めのみには注意すればよいので、鉋打機を平坦な母材に簡単に直角に押し当てることが出来ます。母材が平坦でない場合は、ファスナーガイドが母材に対して直角の位置になるようにサポートフットを閉じなければならないことがあります。

6.1.1 サポートフットを閉じる

1. サポートフットをロック位置から解除するには、サポートフットを押してください。
2. サポートフットを戻します。

6.1.2 サポートフットを開く



注意

挫傷の危険！ サポートフットの開閉の際には、指をサポートフットとハウジングの間に挟んでしまう危険があります。

- ▶ サポートフットを開閉する際には、鉋打機をグリップで保持してください。
1. サポートフットを前方へ旋回させてください。
 2. サポートフットを開いた位置でロックするには、サポートフットを下から押してください。

6.2 Bluetooth (オプション) をオフにする

- ▶ 打鉋機を母材に 10 秒間押し付けます。
 - ▶ 6 秒後、スプリングエレメントが緩む音が聞こえます (鉋打機をさらに 4 秒間押し付け続けます)。
 - ▶ ステータス表示が 3 回青色で点滅します。
 - ▶ 3 回モーター音がします。
 - ▶ データ転送が行われなくなります。



Bluetooth の使用が許可されていない場所 (病院など) では、Bluetooth を非作動にすることが出来ます。

Bluetooth を再びオンにするには、バッテリーを取り外して再装着してください。

6.3 鉋打機をオン / オフにする

6.3.1 鉋打機をオンにする



警告

負傷の危険！ 打鉋機を身体に押し付けると、意図しない打鉋により重傷を負う可能性があります。

- ▶ 鉋打機の先端部は決して手や身体他の部分に押し付けしないでください。
1. マガジンモードでは、マガジンを装填します。→ 頁 266
 2. バッテリーを装着します。→ 頁 265
 - ▶ ステータス表示が緑色でゆっくり点滅します。



バッテリーの出力が弱くなった状態で作動させると、鉋打機はバッテリーセルが損傷する前にスイッチオフになります。

3. オンするには、打鉋機を適当な母材に押し付けます。
 - ▶ 鉋打機が作動します。
 - ▶ ステータス表示が緑色で点灯します。



6.3.2 鋏打機をオフにする

- ▶ バッテリーを取り外します。→ 頁 265
- ▶ スプリングエレメントの弛む音が聞こえ、ステータス表示が消灯します。



6 分後、鋏打機は間もなくスイッチオフになることを知らせるためにモーター音を発します。このモーター音の後、鋏打機は自動的にオフになります。

6.4 打鋏を行う

警告

負傷の危険 貫通するファスナー！

- ▶ ファスナーを打鋏する前に、ファスナーを打鋏する構造物の背後あるいは下に人がいないことを確認してください。

警告

飛散する部品による負傷の危険！ 打鋏動作時には、母材からの破片およびファスナーstrippから外れて飛び出した部品により身体や眼を負傷する危険があります。

- ▶ 個人用保護具と、常にアイシールドおよび保護手袋を着用してください。現場で直近に居合わせる人もアイシールドと保護ヘルメットを着用しなければなりません。

警告

負傷の危険！ 打鋏機を身体に押し付けると、意図しない打鋏により重傷を負う可能性があります。

- ▶ 鋏打機の先端部は決して手や身体他の部分に押し付けしないでください。

1. 作業を開始する前に、試験的に 2 本のファスナーを母材に打鋏してください。
2. 鋏打機を母材に直角に当て、ファスナーガイドをストップ位置まで押し付けます。
 - ▶ 鋏打機がオンになります。
3. 安全トリガーを押して打鋏します。
4. 打鋏後は鋏打機を持ち上げて母材から完全に離してください。



打鋏が行われることなくファスナーガイドを 6 秒を超過して母材に押し付けていると、鋏打機は自動的にスタンバイモードになります。ツールノーズをあらためて母材に押し付けると、打鋏機は再び装填されます。

6.5 マガジンモードでネイルを除去する

1. ネイルプッシャーを引き下げてロックします。
2. ネイルを下方へとずらしてマガジンから取り出します。
3. ネイルプッシャーを保持し、ネイルプッシャーロック解除を押します。
4. ネイルプッシャーをゆっくりと最初の位置に戻します。

6.6 ひっかかったネイルを除去する

警告

負傷の危険および鋏打機の損傷。 Hilti が推奨する純正の付属品に代えて他の製品を使用すると、負傷および鋏打機の損傷の原因となることがあります。

- ▶ ひっかかったネイルの除去には、推奨のピンセット以外は使用しないでください。

警告

飛散する部品による負傷の危険！ ファスナーガイド付近に異物があったり、あるいはファスナーがファスナーガイド内でひっかかっていると、打鋏時に部品が飛散して負傷する危険があります。

- ▶ 決して更に打鋏動作を起動させることで鋏打機の不具合を解消しようと試みしないでください。



個々のネイルがファスナーガイドにひっかかることがあります。X-NP ピンセットを使用してひっかかったネイルをファスナーガイドから除去することができます。アクセサリーについては、弊社営業担当または Hilti ストア、または www.hilti.group でご確認ください。

1. ファスナーガイドを取り外します（を参照 → 頁 265）。



2. ファスナーガイドをピンセットのサポートスリーブに挿入します。
3. ピンとハンマーを使用して、ひっかかったネイルをファスナーガイドから排出します。
4. ファスナーガイドを装着します（を参照→頁 265）。

7 手入れと保守



警告

バッテリーを装着した状態における負傷の危険！

- ▶ 手入れや保守作業の前に必ずバッテリーを取り外してください！

製品の手入れ

- 付着した汚れを慎重に除去してください。
- 汚れが付着している場合は、通気溝を乾いた柔らかいブラシを使用して慎重に掃除してください。
- 必ず少し湿した布でハウジングを拭いてください。シリコンを含んだ磨き粉はプラスチック部品をいためる可能性があるため使用しないでください。
- 本製品の電気接点を清掃するには、清潔な乾いた布を使用してください。

Li-Ion バッテリーの手入れ

- 通気溝が詰まっているバッテリーは決して使用しないでください。通気溝を乾いた柔らかいブラシを使用して慎重に掃除してください。
- バッテリーを不必要に粉じんや汚れに曝さないようにしてください。バッテリーは、決して高い湿度に曝さないでください（例：水中に沈める、あるいは雨中に放置する）。水分が浸入したバッテリーは、損傷したものとして取り扱ってください。そのようなバッテリーは不燃性の容器に隔離し、Hilti サービスセンターにご連絡ください。
- バッテリーには、本製品に使用しているのではないオイルやグリスが付着しないようにしてください。バッテリーに不必要な粉じんあるいは汚れが堆積しないようにしてください。バッテリーは、乾いた柔らかいブラシまたは乾いた布で清掃してください。シリコンを含んだ磨き粉はプラスチック部品をいためる可能性があるため使用しないでください。
バッテリーの電気接点に手を触れないでください、また、工場出荷時に塗布されているグリスを電気接点からぬぐい取らないでください。
- 必ず少し湿した布でハウジングを拭いてください。シリコンを含んだ磨き粉はプラスチック部品をいためる可能性があるため使用しないでください。

保守

- 目視確認可能なすべての部品については損傷の有無を、操作エレメントについては問題なく機能することを定期的に点検してください。
- 損傷および/または機能に問題のある場合は、本製品を使用しないでください。速やかにHilti サービスセンターに本製品の修理を依頼してください。
- 手入れおよび保守作業の後は、すべての安全機構を取り付けて、それらが問題なく作動するか点検してください。



安全な作動のために、必ず純正のスペアパーツと消耗品を使用してください。本製品向けにHilti が承認したスペアパーツ、消耗品およびアクセサリは、弊社営業担当またはHilti Store お問い合わせいただくか、あるいはwww.hilti.group

7.1 ツールノーズの内側を清掃する

1. ファスナーガイドを取り外します。→ 頁 265
2. ツールノーズの内側を清掃してください。
3. ファスナーガイドを装着します。→ 頁 265

8 バッテリー式工具およびバッテリーの搬送および保管

搬送



注意

搬送時の予期しない始動！

- ▶ お使いの製品は、必ずバッテリーを装着していない状態で搬送してください！
- ▶ バッテリーを取り外します。
- ▶ 本体は、常に鍵をかけた本体ケースに入れて搬送 / 保管してください。



- ▶ バッテリーは決して梱包しない状態で輸送しないでください。輸送中のバッテリーは、他のバッテリー電極と接触して短絡の原因となることを防ぐために、過大な衝撃や振動から保護し、あらゆる導電性の物体あるいは他のバッテリーから隔離する必要があります。バッテリーの搬送に関する各国（地域）の規則を遵守してください。
- ▶ バッテリーは郵送しないでください。損傷していないバッテリーを送付する場合は、運送業者を手配してください。
- ▶ 使用の前にその都度、また長距離の搬送の前後には、製品とバッテリーに損傷がないか点検してください。

保管上の注意事項



警告

故障したあるいは液漏れしたバッテリーによる予期しない損傷！

- ▶ お使いの製品は、必ずバッテリーを装着していない状態で保管してください！
- ▶ 製品とバッテリーは涼しくて乾燥した場所に保管してください。製品仕様に記載されている温度の限界値に注意してください。
- ▶ バッテリーは充電器内で保管しないでください。充電の後は、必ずバッテリーを充電器から取り出してください。
- ▶ バッテリーを太陽の直射下、熱源の上、窓際等で保管しないでください。
- ▶ 製品およびバッテリーは、子供や権限のない人が手を触れることのないようにして保管してください。
- ▶ 使用の前にその都度、また長期にわたる保管の前後には、製品とバッテリーに損傷がないか点検してください。

9 故障時のヒント

別の指定のない限り、すべてのインジケータ表示は鋸打機のステータス表示のものです。すべての不具合において、バッテリーの充電状態および故障インジケータを確認してください。Li-Ion バッテリーのインジケータの章を参照してください。

この表に記載されていない、あるいはご自身で解消することのできない故障が発生した場合には、弊社営業担当またはHilti サービスセンターにご連絡ください。

| 故障 | 考えられる原因 | 解決策 |
|---|-------------------------|--|
| ステータス表示が緑色で点滅。 | バッテリーが空。 | ▶ バッテリーを交換してください。 |
| スプリングエレメントが作動しない、ステータス表示が緑色で点滅。 | バッテリーが空。 | ▶ バッテリーを交換してください。 |
| ファスナーガイドを押し付けることができない、ステータス表示が青色で点灯。 | マガジンが空。 | ▶ マガジンモードでは、マガジンを装填します。→ 頁 266 |
| ファスナーガイドを押し付けることができない、ステータス表示が緑色で点灯。 | ネイルブッシュャーが引っかかっている。 | ▶ マガジンからファスナーストリップを取り出し、マガジンを清掃してください。 |
| | ネイルがファスナーガイド内で引っかかっている。 | ▶ ひっかかったネイルを除去します。→ 頁 268 |
| スプリングエレメントの作動が鈍い、ステータス表示は青色で点滅、同時にシグナル音が鳴る、その後ステータス表示が6分間青色で点灯。 | マガジンが空。 | ▶ マガジンモードでは、マガジンを装填します。→ 頁 266 |
| スプリングエレメントが再作動しない、ステータス表示が黄色で点滅。 | 鋸打機内部の過熱。 | ▶ 鋸打機を冷ましてください。 |
| | バッテリー温度が高すぎる。 | ▶ バッテリーを冷ましてください。 |
| | バッテリー温度が低すぎる。 | ▶ バッテリーをゆっくり室温まで暖めてください。 |
| スプリングエレメントが作動しない、ステータス表示が赤色で点滅。 | ファスナーガイドが正しく装着されていない。 | ▶ ファスナーガイドを装着します。→ 頁 265 |



| 故障 | 考えられる原因 | 解決策 |
|---------------------------------|-----------------------|----------------------------------|
| スプリングエレメントが作動しない、ステータス表示が赤色で点灯。 | 本体の故障。 | ▶ Hilti サービスセンターに連絡してください。 |
| スプリングエレメントが作動しない、ステータス表示なし。 | バッテリーが空。 | ▶ バッテリーを交換してください。 |
| | バッテリーが正しく装着されていない。 | ▶ バッテリーを取り外して正しく装着してください。→ 頁 265 |
| | 過放電保護が作動。 | ▶ バッテリーを取り外して再装着してください。 |
| ファスナーガイドが押し付けられた状態でひっかかっている。 | ファスナーガイドとツールノーズの間の汚れ。 | ▶ ツールノーズの内側を清掃してください。→ 頁 269 |

10 廃棄



警告

誤った廃棄による負傷の危険！ 漏出するガスあるいはバッテリー液により健康を損なう危険があります。

- ▶ 損傷したバッテリーを送付しないでください！
- ▶ 短絡を防止するために接続部を非導電性のもので覆ってください。
- ▶ バッテリーは子供が手を触れることのないように廃棄してください。
- ▶ バッテリーの廃棄は、最寄りのHilti Store あるいは適切な廃棄物処理業者に依頼してください。

Hilti 製品の大部分の部品はリサイクル可能です。リサイクル前にそれぞれの部品は分別して回収されなければなりません。多くの国でHilti は、古い工具をリサイクルのために回収しています。詳細については弊社営業担当またはHilti 代理店・販売店にお尋ねください。



- ▶ 電動工具、電子機器およびバッテリーを一般ゴミとして廃棄してはなりません！

11 メーカー保証

- ▶ 保証条件に関するご質問は、最寄りのHilti 代理店・販売店までお問い合わせください。

12 その他の情報

ご使用方法、技術、環境保護およびリサイクルに関するその他の情報については、qr.hilti.com/manual?id=2268212&id=2268213 のリンクをご確認ください。

このリンクは、本書の巻末にも QR コードとして記載されています。

오리지널 사용 설명서

1 문서 관련 기재사항

1.1 본 문서에 대해

- 처음 사용하기 전에 본 문서 전체를 읽으십시오. 안전하게 작업하고 문제 없이 취급하기 위한 전제가 됩니다.
- 본 문서 및 제품에 나와 있는 안전 지침 및 경고 지침에 유의하십시오.
- 항상 제품에 있는 사용 설명서를 잘 보관하고 제품은 반드시 본 지침과 함께 다른 사람에게 전달하십시오.

1.2 기호 설명

1.2.1 경고사항

본 제품을 다루면서 발생할 수 있는 위험에 대한 경고사항. 다음과 같은 시그널 워드가 사용됩니다.



⚠ 위험

위험!

- ▶ 이 기호는 직접적인 위험을 표시합니다. 만약 지키지 않으면 심각한 부상을 당하거나 사망할 수도 있습니다.

⚠ 경고

경고!

- ▶ 이 기호는 잠재적인 위험을 표시합니다. 만약 지키지 않으면 심각한 부상을 당하거나 사망할 수도 있습니다.







⚠ 주의

주의!

- ▶ 이 기호는 잠재적인 위험 상황을 표시합니다. 만약 지키지 않으면 부상 또는 물적 손실을 입을 수 있습니다.


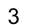


1.2.2 사용 설명서에 사용된 기호

본 사용 설명서에서 사용되는 기호는 다음과 같습니다.

| | |
|---|-------------------------------------|
|  | 사용 설명서에 유의하십시오 |
|  | 적용 지침 및 기타 유용한 사용정보 |
|  | 재사용이 가능한 자재 취급방법 |
|  | 전기 기기 및 배터리를 일반 가정의 쓰레기처럼 폐기해서는 안 됨 |
|  | Hilti 리튬 이온 배터리 |
|  | Hilti 충전기 |

1.2.3 그림에 사용된 기호






그림에 다음과 같은 기호가 사용됩니다.

| | |
|---|---|
|  | 이 숫자는 본 사용 설명서 첫 부분에 있는 해당 그림을 나타냅니다. |
|  | 매겨진 숫자는 작업 단계의 순서를 나타내며, 텍스트에 매겨진 작업 단계와 차이가 있을 수 있습니다. |
|  | 항목 번호는 개요 그림에서 사용되며, 제품 개요 단락에 나와 있는 기호 설명 번호를 나타냅니다. |
|  | 이 표시는 제품을 다룰 때, 특별히 주의할 사항을 나타냅니다. |

1.3 제품 관련 기호

1.3.1 제품에 사용된 기호

제품에 사용되는 기호는 다음과 같습니다.

| | |
|---|--|
|  | 일반적인 준수 표시 |
|  | 보안경 착용 |
|  | 귀마개 착용 |
|  | 안전모 착용 |
|  | 본 제품은 iOS 및 Android 플랫폼과 호환 가능한 NFC 기술을 지원합니다. |
| Li-ion | 리튬이온 배터리 |



| | |
|--|--|
| | 배터리는 절대 타격 공구로 사용해서는 안 됩니다. |
| | 배터리를 떨어뜨리지 마십시오. 타격을 받은 적이 있거나 다른 손상이 있는 배터리는 사용하지 마십시오. |

1.4 제품 정보

HILTI 제품은 전문가용으로 설계되어 있으며, 해당 교육을 이수한 공인된 작업자를 통해서만 조작, 유지 보수 및 수리 작업을 진행할 수 있습니다. 이 기술자는 발생할 수 있는 위험에 대해 특별 교육을 받은 상태여야 합니다. 교육을 받지 않은 사람이 제품을 부적절하게 취급하거나 규정에 맞지 않게 사용할 경우에는 기기와 그 보조기구에 의해 부상을 당할 위험이 있습니다.

형식 명칭 및 일련 번호는 형식 라벨에 제시되어 있습니다.

- ▶ 일련 번호를 다음의 표에 옮기십시오. 대리점 또는 서비스 센터에 문의할 경우 제품 제원이 필요합니다.

제품 제원

| | |
|-------|----------------------------------|
| 타정기 | BX 3-22 BX 3-L-22 BX 3-ME-22 |
| 세대 | 03 |
| 일련 번호 | |

1.5 적합성 선언

본 제조사는 단독 책임 하에 여기에 기술된 제품이 통용되는 법 규정 및 규범과 일치함을 밝힙니다. 적합성 증명서 사본은 본 문서 끝 부분에서 확인할 수 있습니다.

기술 문서는 이곳에 기술되어 있습니다.

Hilti Entwicklungsgesellschaft mbH | Zulassung Geräte | Hiltistraße 6 | 86916 Kaufering, DE

2 안전

2.1 전동 공구에 대한 일반적인 안전상의 주의사항

⚠ 경고 해당 전동 공구와 함께 동봉된 모든 안전상의 주의 사항, 지침, 그림 및 기술자료를 숙지하십시오. 다음과 같은 지침 내용을 준수하지 않으면 전기 충격, 화재가 발생하거나 그리고/또는 중상을 입을 수 있습니다.

앞으로 모든 안전상의 주의사항과 지침을 보관하십시오.

안전상의 주의사항에서 사용되는 "전동 공구"라는 개념은 전원에 연결하여 사용하는 전동 공구(전원 케이블 있음) 또는 배터리를 사용하는 전동 공구(전원 케이블 없음)를 의미합니다.

작업장 안전수칙

- ▶ 작업장을 항상 깨끗이 하고 조명이 잘 들도록 하십시오. 어수선한 작업환경 또는 어두운 작업장은 사고를 초래할 수 있습니다.
- ▶ 인화성 액체, 가스 또는 먼지가 있어 폭발 위험이 있는 환경에서는 전동 공구를 사용하지 마십시오. 전동 공구는 먼지나 증기를 점화시킬 수 있는 스파크를 일으킵니다.
- ▶ 전동 공구를 사용할 때, 어린이들이나 다른 사람들이 작업장에 접근하지 못하도록 하십시오. 다른 사람의 방해로 인해 기기를 통제하기 어렵습니다.

전기에 관한 안전수칙

- ▶ 전동 공구의 전원 플러그가 소켓에 잘 끼워져야 합니다. 플러그를 절대 변형시켜서는 안됩니다. 접지된 전동 공구와 함께 아답타 플러그를 사용하지 마십시오. 변형되지 않은 플러그와 적합한 소켓을 사용하면 감전의 위험을 줄일 수 있습니다.
- ▶ 파이프, 히터, 전기레인지, 냉장고와 같은 접지 표면에 신체 접촉을 피하십시오. 신체에 닿을 경우 감전될 위험이 높습니다.
- ▶ 전동 공구가 비에 맞지 않도록 하고 습한 장소에 두지 마십시오. 전동 공구에 물이 들어가면 감전될 위험이 높습니다.
- ▶ 전원 케이블만 잡고 전동 공구를 운반하거나 걸어 놓아서는 안되며, 소켓에서 전원 플러그를 빼낼 때 케이블만 잡은 채로 빼내지 마십시오. 전원 케이블이 열, 오일, 날카로운 모서리 또는 부품의 가동 부위에 접촉하지 않도록 주의하십시오. 손상되거나 서로 꼬인 전원 케이블은 감전 위험을 높입니다.
- ▶ 실외에서 전동 공구를 이용하여 작업할 때, 실외용으로 승인된 연장 케이블만 사용하십시오. 실외용 연장 케이블을 사용하면 감전의 위험을 줄여줍니다.
- ▶ 전동 공구를 습한 환경에서 사용하는 것을 피할 수 없을 경우, 누전 차단기를 사용하십시오. 누전 차단기를 사용하면 감전 위험을 줄일 수 있습니다.



사용자 안전수칙

- ▶ 신중하게 작업하십시오. 작업에 정신을 집중하고 전동 공구를 사용할 때 경솔하게 행동하지 마십시오. 피곤하거나 항정신성 약물, 술 또는 약을 복용시에는 전동 공구를 사용하지 마십시오. 전동 공구 사용 시 이에 유의하지 않을 경우 심각한 부상을 초래할 수 있습니다.
- ▶ 안전 장비를 갖추고 보안경을 착용하십시오. 전동 공구의 종류와 사용에 따라, 먼지 보호 마스크, 미끄럼 방지용 안전 신발, 안전모 또는 귀마개 등과 같은 안전한 보호장비를 착용하면 부상의 위험을 줄일 수 있습니다.
- ▶ 실수로 기기가 작동하지 않도록 주의하십시오. 전동 공구를 전원 그리고/또는 배터리에 연결하기 전, 보관 또는 운반 전에 전동 공구가 스위치 OFF 상태인지 확인하십시오. 전동 공구 운반 시 스위치에 손가락을 대거나 스위치가 켜진 상태에서 전원을 연결하면 사고를 유발할 수 있습니다.
- ▶ 전동 공구의 스위치를 켜기 전, 조작용공 또는 렌치를 제거하십시오. 기기 회전부에 남아있는 공구나 렌치로 인해 부상을 입을 수 있습니다.
- ▶ 작업 시 비정상적인 자세는 피하십시오. 안전한 작업자세가 되도록 하고, 항상 균형을 유지하십시오. 이렇게 하여 예기치 않은 상황에서도 전동 공구를 잘 제어할 수 있습니다.
- ▶ 적합한 작업복을 착용하십시오. 험련한 복장이나 장식품을 착용하지 마십시오. 작동하는 기기 가동 부위에 머리, 옷 그리고 장갑이 가까이 닿지 않도록 주의하십시오. 험련한 복장, 장식품 혹은 긴 머리가 가동 부위에 밀려 들어갈 수 있습니다.
- ▶ 먼지 제거장치나 수거장치를 설치할 수 있는 기기의 경우, 이 장치들이 연결되어 있는지 그리고 제대로 작동되는지를 확인하십시오. 먼지 포집장치 사용은 먼지로 인한 위험을 줄여줄 수 있습니다.
- ▶ 이 전동 공구를 여러번 사용해봤다고 해서 안전하다고 안심하지 말고 전동 공구에 해당하는 안전 규칙을 무시하지 마십시오. 부주의하게 행할 경우 아주 짧은 순간에 중상을 입을 수 있습니다.

전동 공구의 취급과 사용

- ▶ 기기에 과부하가 걸리지 않도록 하십시오. 귀하의 작업에 적합한 전동 공구를 사용하십시오. 적합한 전동 공구를 사용하면, 지정된 성능 한도 내에서 더 효율적으로 안전하게 작업할 수 있습니다.
- ▶ 스위치가 고장난 전동 공구는 사용하지 마십시오. 스위치가 작동되지 않는 전동 공구는 위험하므로, 반드시 수리를 해야 합니다.
- ▶ 기기 세팅을 실행, 액세서리를 교환 또는 기기를 보관하기 전에 컨택터를 전원소켓에서 그리고/또는 탈착식 배터리를 기기에서 빼놓으십시오. 이러한 조치는 실수로 전동 공구가 작동하지 않도록 방지합니다.
- ▶ 사용하지 않는 전동 공구는 어린이들의 손이 닿지 않는 곳에 보관하십시오. 기기 사용에 익숙하지 않거나 또는 이 안전수칙을 읽지 않은 사람이 기기를 사용해서는 안 됩니다. 비숙련자가 전동 공구를 사용하면 위험합니다.
- ▶ 전동 공구 및 액세서리를 유의해서 관리하십시오. 기기의 가동 부위가 완벽하게 작동하는지, 끼어 있지 않은지, 혹은 부품이 손상되거나 파손되어 있어 전동 공구의 기능을 저하시키지 않는지 점검하십시오. 기기 사용 전 손상된 부품을 수리하도록 하십시오. 제대로 관리되지 않은 전동 공구는 많은 사고를 유발합니다.
- ▶ 절단기기는 날카롭고 깨끗하게 관리하십시오. 날카로운 절단면이 들고 잘 관리된 절단기기는 끼이는 경우가 드물고 조절하기도 쉽습니다.
- ▶ 본 지침에 따라 전동 공구, 액세서리, 공구 비트 등을 사용하십시오. 이 때 작업 조건과 실시하려는 작업 내용을 고려하십시오. 원래 사용 분야가 아닌 다른 작업에 전동 공구를 사용할 경우, 위험한 상황을 초래할 수 있습니다.
- ▶ 손잡이 및 손잡이 표면은 건조하고 깨끗하게, 그리고 오일과 그리스가 묻어있지 않도록 해야 합니다. 미끄러운 손잡이 및 손잡이 표면은 예상치 못한 상황에서 전동 공구를 안전하게 조작하고 제어할 수 없습니다.

배터리 공구의 취급과 사용

- ▶ 제조회사가 권장한 충전기에만 배터리를 충전시키십시오. 특정한 형식의 배터리를 사용하도록 규정되어 있는 충전기에 다른 배터리를 사용할 경우 화재 발생의 위험이 있습니다.
- ▶ 전동 공구에 적합하게 규정된 배터리만 사용하십시오. 다른 배터리를 사용하면 부상을 입을 수 있고, 화재가 발생할 수 있습니다.
- ▶ 배터리를 사용하지 않을 경우 클립, 동전, 키, 못, 나사 또는 다른 소형 금속 물질로부터 사용하지 않는 배터리를 멀리 떨어뜨려 놓아주십시오. 배터리 간 단락으로 인한 연소 또는 화재를 초래할 수 있습니다.
- ▶ 잘못 사용할 경우, 배터리로부터 전해액이 흘러나올 수 있습니다. 전해액을 직접 만지지 마십시오. 실수로 만졌을 경우, 물로 씻으십시오. 전해액이 눈에 들어갔으면, 의사와 상담하십시오. 배터리로부터 흘러나온 전해액은 피부를 손상시킬 수 있으며, 화재를 발생시킬 수 있습니다.
- ▶ 손상된 배터리 또는 변경된 배터리를 사용하지 마십시오. 손상된 배터리 또는 변경된 배터리는 예상치 못한 상황 및 화재, 폭발 또는 부상 위험을 초래할 수 있습니다.
- ▶ 배터리에서 불꽃이 발생하거나 또는 배터리가 너무 높은 온도에 노출되지 않게 하십시오. 불꽃 또는 온도가 130 °C (265 °F)를 넘으면 폭발을 일으킬 수 있습니다.
- ▶ 충전에 관한 모든 지침을 준수하여 배터리 또는 배터리 공구를 절대 사용 설명서에 제시된 범위를 벗어난 온도에서 충전하지 마십시오. 잘못 충전하거나 허용된 범위를 벗어난 온도에서 충전하면 배터리가 파손되어 화재 발생 위험이 높아질 수 있습니다.



서비스

- ▶ 전동 공구는 반드시 자격을 갖춘 전문가에 의해 그리고 순정 대체부품만 이용하여 수리해야 합니다. 이렇게 하여 기기의 안전성을 계속해서 유지할 수 있습니다.
- ▶ 손상된 배터리를 절대 수리하지 마십시오. 배터리 수리는 제조회사 또는 권한을 위임받은 고객 서비스 센터에서만 이루어져야 합니다.

2.2 고정 기기에 대한 안전 지침

- ▶ 전동공구에 핀이 들어 있다는 사실을 늘 기억하십시오. 고정 기기를 부주의하게 취급하면 의도치 않게 핀이 돌출되어 부상을 입을 수 있습니다.
- ▶ 전동공구를 자기 자신 또는 근처에 있는 다른 사람에게 겨누지 마십시오. 예상치 못하게 작동되어 핀에 찔려 부상을 입을 수 있습니다.
- ▶ 작업물에 단단히 고정되기 전까지 전동공구를 작동하지 마십시오. 전동공구가 작업물에 접촉하지 않은 경우, 핀이 고정 부위에서 다시 튀어나올 수 있습니다.
- ▶ 핀이 전동공구에 끼어 있는 경우, 전동공구를 전원 또는 배터리에서 분리하십시오. 고정 기기가 연결되어 있는 경우, 단단하게 안착되어 있을 핀을 제거할 때 실수로 작동될 수 있습니다.
- ▶ 단단하게 안착되어 있는 핀을 제거할 때 조심스럽게 작업하십시오. 끼어 있는 것을 빼내고자 할 때 해당 시스템에 응력이 걸려 있고, 핀이 세차게 돌출될 수 있습니다.
- ▶ 전기선을 고정할 때 전압이 흐르지 않는지 확인하십시오. 고정 기기는 절연된 손잡이만 잡으십시오. 전기선 설치에 적합한 핀만 사용하십시오. 핀이 전기선의 절연재를 손상시키지 않는지 점검하십시오. 전기선의 절연재를 손상시키는 핀은 감전 및 화재 위험을 유발할 수 있습니다.

2.3 안전상의 주의사항

사용자에 대한 요건

▶ 본 제품은 해당 교육을 이수한 공인된 작업자를 통해서만 조작 및 유지보수 작업을 진행할 수 있습니다.

개인 보호 장비

- ▶ 기기를 사용하는 동안 작업자 및 근처에 있는 사람들은 적합한 보안경, 귀마개 및 안전모를 착용하십시오.

사용자 안전수칙

- ▶ 사용설명서에 제시되어 있는 작동, 관리 및 유지보수에 대한 정보에 유의하십시오.
- ▶ 신중하게 작업하십시오. 작업에 정신을 집중하고 타정기를 사용할 때 경솔하게 행동하지 마십시오. 피로 한 상태이거나 약물 복용 및 음주 후에는 제품을 사용하지 마십시오. 몸이 아프거나 기분이 좋지 않은 경우 작업을 중단하십시오. 타정기를 사용할 때 잠시라도 부주의할 경우 심각한 부상을 입을 수 있습니다.
- ▶ 부적절한 자세를 피하십시오. 안전한 작업 자세를 유지하고, 항상 균형을 유지하십시오.
- ▶ 미끄럼방지용 신발/작업화를 착용하십시오.
- ▶ 화스너 가이드 또는 고정 요소를 손으로 되당기지 마십시오.
 - ▶ 화스너 가이드 또는 고정 요소를 손으로 되당기면 상황에 따라 제품이 작동 준비 상태가 됩니다. 작동 가능한 상태에서는 핀이 신체 부위에 박힐 수도 있기 때문입니다.
- ▶ 제품 사용 시 팔을 굽힌 상태로 유지하십시오(팔을 펴서는 안 됨).
- ▶ 작업할 때 다른 사람, 특히 어린이는 작업장에서 멀리 떨어져 있게 하십시오.
- ▶ 떨어지는 공구 및/또는 액세서리로 인한 부상 위험. 작업을 시작하기 전에 배터리 및 설치된 액세서리가 안전하게 고정되어 있는지 확인하십시오.
- ▶ 환기 슬롯은 항상 가려져 있지 않게 하십시오. 숨겨진 환기 슬롯으로 인한 화재 위험!
- ▶ 조명(LED)을 직접 응시하거나 다른 사람의 얼굴을 비추지 마십시오. 실명 위험이 있습니다.

타정기의 올바른 사용 방법 및 취급 방법

- ▶ 고정 요소 관통 위험! 고정 요소를 타정하기 전에 고정 요소를 타정할 부품 뒤 또는 아래쪽에 머무는 사람이 아무도 없는지 확인하십시오.
- ▶ 작업에 적합한 제품을 사용하십시오. 제품을 정해진 용도와 다르게 사용해서는 안 되며, 규정에 적합한 상태에서만 사용하십시오.
- ▶ 작동준비된 상태의 제품을 무방비 상태로 방치해서는 안 됩니다.
- ▶ 청소 작업, 정비 작업 및 유지 작업을 하기 전에 그리고 화스너 가이드 교체 시, 작업 중단 시 및 보관(고정 요소)을 할 때에는 제품을 항상 방전시키십시오.
- ▶ 사용하지 않는 제품은 방전시켜 어린이의 손이 닿지 않는 건조하고 밀폐된 공간에 보관하십시오.
- ▶ 제품 및 액세서리에 별다른 손상이 없는지 점검하십시오. 기기의 움직이는 부품이 완벽하게 작동하는지, 끼이지 않았는지 또는 부품이 손상되지 않았는지 점검하십시오.
 - ▶ 모든 부품은 올바르게 설치되고 제품의 정상적인 작동을 보장하기 위한 모든 조건을 충족해야 합니다. 사용설명서에 달리 언급된 내용이 없다면 손상된 부품은 Hilti 서비스 센터를 통해 전문적으로 수리 또는 교체해야 합니다.



- ▶ 작업을 시작하기 전에, 작업장에서 가려져 있거나 덮혀 있는 전기 배선, 가스 파이프 그리고 하수도관이 있는지를 점검하십시오. 전기 배선, 가스 파이프 또는 하수도관을 손상시킨 경우, 제품 바깥쪽에 있는 금속 부품에서 감전 또는 폭발을 유발할 수 있습니다.
- ▶ 고정 요소를 적합하지 않은 모재에 타정하지 마십시오.
 - ▶ 응집된 강재 및 주강, 주철, 유리, 대리석, 플라스틱, 청동, 황동, 구리, 절연재, 중공 벽돌, 세라믹 벽돌, 얇은 철판(< 4 mm) 및 기포 콘크리트 소재는 작업에 적합하지 않습니다. 이러한 소재에 타정 작업하면 고정 요소가 부러지고 쪼개지거나 소재가 뚫릴 수 있습니다.
- ▶ 제품이 모재에 완전히 수직으로 접촉된 후에만 방아쇠를 당기십시오.
- ▶ 타정 작업 시 모재의 고정 요소가 잘못 조항되는 일이 없도록 제품은 항상 모재에 직각으로 위치시켜 잡으십시오.
- ▶ 손잡이는 건조하고 깨끗하게, 그리고 오일과 그리스가 묻어있지 않도록 해야 합니다.
- ▶ 제품이 떨어지지 않게 하십시오.
- ▶ 매거진을 손잡이로 사용하지 마십시오.
- ▶ 특별히 허용된 경우가 아니라면 화재 및 폭발 위험이 있는 장소에서 제품을 사용하지 마십시오.
- ▶ Hilti에서 권장하는 경우(예: DX-Kwik)를 제외하고는 원래 있던 구멍에 고정 요소를 타정하는 일은 없도록 하십시오.

기계 관련 안전 지침

- ▶ 제품 또는 액세서리, 특히 피스톤을 조작하거나 변경하지 마십시오.
- ▶ 제품 전용으로 규정되고 허용된 고정 요소만 사용하십시오.

열 관련 안전 지침

- ▶ 권장하는 최대 타정 빈도수를 초과하지 마십시오.
- ▶ 제품이 과열되었을 경우, 냉각시키십시오.
- ▶ 제품이 뜨거운 경우, 기기를 분리하지 마십시오. 제품을 냉각시키십시오.

2.4 배터리의 올바른 사용방법과 취급방법

- ▶ 리튬 이온 배터리를 보다 안전하게 취급하고 사용할 수 있도록 다음과 같은 안전상의 주의 사항에 유의하십시오. 유의하지 않을 경우 피부 자극, 심각한 부식성 부상, 화학 화상, 화재 및/또는 폭발을 유발할 수 있습니다.
- ▶ 기술적 하자가 없는 상태에서만 배터리를 사용하십시오.
- ▶ 배터리를 조심히 다루어 손상되지 않고, 건강에 유해한 액체가 흘러나오지 않게 하십시오!
- ▶ 배터리는 어떠한 경우에도 개조 또는 변조해서는 안 됩니다!
- ▶ 배터리를 분해하거나 강한 압력 또는 80°C (176°F) 이상의 열을 가하거나 연소시켜서는 안 됩니다.
- ▶ 타격을 받은 적이 있거나 다른 손상이 있는 배터리는 사용 또는 충전하지 마십시오. 손상될 기미가 보이는 지 정기적으로 점검하십시오.
- ▶ 재활용 또는 수리한 배터리는 절대 사용하지 마십시오.
- ▶ 배터리 또는 배터리 구동식 전동 공구를 절대 타격 공구로 사용하지 마십시오.
- ▶ 배터리가 직사광선, 고온, 스파크 또는 불꽃에 절대 노출되지 않도록 하십시오. 이로 인해 폭발이 발생할 수 있습니다.
- ▶ 배터리 전극을 손가락, 공구, 장신구 또는 다른 전도성 물체를 통해 만지지 마십시오. 이는 배터리 손상, 물적 손상 및 부상을 유발할 수 있습니다.
- ▶ 배터리가 비 또는 습기 및 액체에 노출되지 않게 하십시오. 습기가 유입되면 단락, 감전, 화재, 불꽃 및 폭발이 일어날 수 있습니다.
- ▶ 배터리 타입에 해당되는 충전기 및 전동공구만 사용하십시오. 이를 위해 해당 사용 설명서에 적혀 있는 내용을 확인하십시오.
- ▶ 폭발 위험이 있는 환경에서 배터리를 사용하거나 보관하지 마십시오.
- ▶ 배터리를 잡기에 너무 뜨거운 경우에는 고장일 수 있습니다. 배터리를 인화성 물질과 충분한 거리를 둔 상태에서 눈에 잘 띄며 불이 잘 붙지 않는 장소에 두십시오. 배터리를 냉각시키십시오. 한 시간 후에도 계속해서 배터리를 잡기에 너무 뜨거운 경우에는 배터리에 결함이 있을 수 있습니다. Hilti 서비스 센터에 문의하거나 "안전 및 Hilti 리튬 이온 배터리 작업 관련 지침" 문서 내용을 확인하십시오.



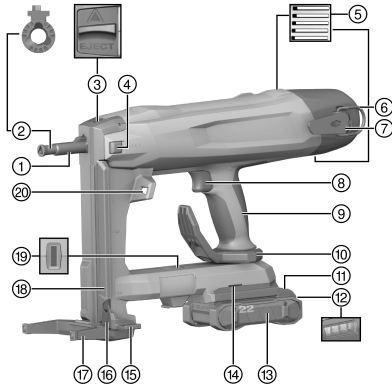
리튬 이온 배터리의 운반, 보관 및 사용 시 적용되는 특수 가이드라인에 유의하십시오.

안전 및 Hilti 리튬 이온 배터리 작업 관련 지침은 본 사용 설명서의 끝부분에 제시된 QR 코드를 통해 확인할 수 있습니다.



3 제품 설명

3.1 제품 개요



- ① 기기 러그
- ② 화스너 가이드
- ③ 화스너 가이드 잠금장치
- ④ 개별 설치 스위치(BX 3-ME-22)
- ⑤ 환기 슬롯
- ⑥ 공구 고정끈용 고리
- ⑦ 벨트 후크
- ⑧ 안전장치
- ⑨ 손잡이
- ⑩ 벨트 후크/비계 후크
- ⑪ 배터리 잠금해제 노브
- ⑫ 배터리 상태 표시기
- ⑬ 리튬 이온 배터리
- ⑭ 액세서리용 조절 틸새
- ⑮ 핀을 미치는 도구
- ⑯ 핀을 미치는 도구 잠금해제 유닛
- ⑰ 지지대 다리
- ⑱ 매거진
- ⑲ 타정기 상태 표시기
- ⑳ 작업 공간 조명

3.1.1 장비사양

화스너 가이드 및 지지대 다리는 제품에 따라 다를 수 있습니다. 다음 표는 제품에 장착된 지지대 다리 및 화스너 가이드를 나타냅니다.

자세한 정보는 케이브 커버, **Hilti Store** 또는 www.hilti.group에서 확인할 수 있습니다.

| 제품 | BX 3-22 | BX 3-L-22 | BX 3-ME-22 |
|---------|---------------|---------------|---------------|
| 화스너 가이드 | X-FG B3 IF 02 | X-FG B3 IF 02 | X-FG B3 ME |
| 지지대 다리 | X-SL B3 03 | X-SL B3 03 | X-SL B3 ME 03 |

3.2 규정에 맞는 사용

본 제품은 소형 배터리 구동식 타정기입니다. 이 제품은 특수하게 제조된 고정 요소를 콘크리트, 강철, 조적벽돌, 규회벽돌 및 기타 직접 설치에 적합한 모재에 설치하기 위한 용도로 고안되었습니다. 본 제품은 전기선 고정기에 적합한 고정 요소가 사용되는 경우 클립을 이용해 전기선을 고정하는 용도로도 사용됩니다. 전용으로 규정된 화스너 가이드와 결합하여 사용할 수 있는 고정 요소만 사용하십시오("기술 자료" 장 참조).

타정기, 배터리 및 고정 요소는 하나의 기술 유닛을 형성합니다. 이는, 이 고정 기기 전용으로 특수 제작된 **Hilti** 고정 요소와 **Hilti**에서 권장하는 충전기와 배터리를 사용할 경우에만, 이 타정기로 완벽하게 고정할 수 있음을 의미합니다. 이 조건을 준수했을 경우에만 **Hilti**에서 제시한 고정 및 사용 권장사항이 유효합니다.

- ▶ 타정기는 손으로만 작동시켜야 합니다.
- ▶ 잘못된 용도로 사용할 수 없습니다. 매우 부드러운 모재(예: 목재) 및 너무 딱딱한 모재(예: 고강도 강재 또는 고경도 천연 석재)에 타정 작업해서는 안 됩니다.
- 본 제품에는 모델시리즈 B 22의 **Hilti** Nuron 리튬이온 배터리만 사용하십시오. **Hilti**는 출력을 최적화할 수 있도록 본 제품에 본 사용 설명서의 끝부분 표에 명시된 배터리를 사용할 것을 권장합니다.
- 해당 배터리에는 본 사용 설명서 끝부분 표에 명시된 모델시리즈의 **Hilti** 충전기만 사용하십시오.

3.3 안전장치

매거진 모드에서 손 감지를 통해 타정기에 손상을 유발할 수 있는 부당한 작업을 막아줍니다.

압착 안전장치는 핀이 노출되는 것을 막아줍니다. 티정기는 매거진 모드에서 사용된 핀만 가지고 압착하여 작동할 수 있습니다.



3.4 사양 특성

타정기에는 인체공학적으로 미끄럼 방지 및 진동 감쇠처리된 손잡이, 벨트 후크 및 비계 후크와 지지대 다리가 장착되어 있습니다. 타정기는 전자식 과부하 방지장치를 통해 과부하를 막고 온도 감시장치를 통해 과열을 막습니다.

3.5 타정기 상태 표시기

타정기 상태 표시기는 타정기의 상태를 알립니다.

| 상태 | 의미 |
|---------------------|--------------------------------------|
| LED 꺼짐 | 타정기 꺼짐 |
| LED가 녹색으로 점등됨. | 타정기 켜짐 및 타정 작업 준비된 상태 |
| LED가 녹색으로 깜박임. | 배터리 과열 또는 배터리 너무 약함 |
| LED가 3초마다 녹색으로 깜박임. | 타정기 대기 모드에 있음, 기기 리그를 누르면 타정기 전원이 켜짐 |
| LED가 청색으로 점등됨. | 타정기 켜짐, 핀 스트림을 재충전해야 함 |
| LED가 청색으로 깜박임. | 타정기 켜짐, 매거진 전체가 비어 있음 |
| LED가 황색으로 깜박임. | 타정기가 너무 뜨거움, 고장 목록 참조 |
| LED가 적색으로 깜박임. | 기기 장애, 고장 목록 참조 |
| LED가 적색으로 점등됨. | 기기 장애, 고장 목록 참조 |

3.6 리튬이온 배터리 표시

Hilti Nuron 리튬 이온 배터리는 충전 상태, 오류 메시지 및 배터리 상태를 표시할 수 있습니다.

3.6.1 충전 상태 및 오류 메시지 표시



경고

부상 위험 떨어지는 배터리로 인한 위험!

- ▶ 배터리가 끼워진 상태에서 잠금해제 버튼을 누른 경우, 배터리가 사용하는 제품에 다시 제대로 고정되었는지 확인하십시오.

다음과 같은 표시를 확인하려면, 배터리 잠금해제 버튼을 짧게 누르십시오.

연결된 제품의 전원이 켜져 있는 동안 충전 상태 및 발생 가능한 기능 장애 내용도 계속 표시됩니다.

| 상태 | 의미 |
|------------------------|--|
| 4개 LED가 녹색으로 계속 점등됩니다 | 충전 상태: 100 % ~ 71 % |
| 3개 LED가 녹색으로 계속 점등됩니다 | 충전 상태: 70 % ~ 51 % |
| 2개 LED가 녹색으로 계속 점등됩니다 | 충전 상태: 50 % ~ 26 % |
| 1개 LED가 녹색으로 계속 점등됩니다 | 충전 상태: 25 % ~ 10 % |
| 1개 LED가 녹색으로 느리게 깜박입니다 | 충전 상태: < 10 % |
| 1개 LED가 녹색으로 빠르게 깜박입니다 | 리튬이온 배터리가 완전히 방전되었습니다. 배터리를 충전하십시오. 배터리 충전 후에도 계속해서 LED가 빠르게 깜박이면, Hilti 서비스 센터에 문의해 주십시오. |
| 1개 LED가 황색으로 빠르게 깜박입니다 | 리튬 이온 배터리 또는 배터리와 관련된 제품이 과부하되었거나, 너무 뜨겁거나 차갑거나 또는 다른 오류가 발생했습니다. 제품 및 배터리를 권장하는 작동 온도 상태로 유지하고, 제품을 사용하지 않을 경우 제품에 과부하가 걸리지 않도록 하십시오. 해당 메시지가 계속 존재하는 경우, Hilti 서비스 센터에 문의해 주십시오. |
| 1개 LED가 황색으로 점등됩니다 | 리튬이온 배터리 및 배터리가 연결된 제품과 호환되지 않습니다. Hilti 서비스 센터에 문의해 주십시오. |
| 1개 LED가 적색으로 빠르게 깜박입니다 | 리튬이온 배터리 사용이 금지되어 더 이상 사용할 수 없습니다. Hilti 서비스 센터에 문의해 주십시오. |



3.6.2 배터리 상태 표시

배터리 상태를 조회하려면, 잠금해제 버튼을 3초 이상 누르고 계십시오. 낙하, 틈새 발생, 외부 요인으로 인한 열 손상 등 잘못된 사용으로 인해 시스템에서 잠재적으로 발생할 수 있는 배터리의 오작동을 감지하지 못합니다.

| 상태 | 의미 |
|--|---|
| 작동 표시등으로 모든 LED가 점등된 후 1개 LED가 녹색으로 계속 점등됩니다. | 배터리를 계속해서 사용할 수 있습니다. |
| 작동 표시등으로 모든 LED가 점등된 후 1개 LED가 황색으로 빠르게 깜박입니다. | 배터리 상태 조회를 종료할 수 없습니다. 해당 과정을 반복하거나 Hilti 서비스 센터에 문의해 주십시오. |
| 작동 표시등으로 모든 LED가 점등된 후 1개 LED가 적색으로 계속 점등됩니다. | 연결된 제품을 계속해서 사용할 수 없는 경우, 남아 있는 배터리 용량이 50% 미만입니다. 연결된 제품을 계속해서 사용할 수 없는 경우, 배터리의 수명이 다 되어 교체해야 합니다. Hilti 서비스 센터에 문의해 주십시오. |

3.7 Bluetooth®(옵션)

Bluetooth® 워드마크 및 로고는 Bluetooth SIG, Inc의 등록 상표이며, Hilti는 라이선스 하에 해당 마크/로고를 사용하고 있습니다.

3.7.1 규정에 맞는 사용

본 제품은 Bluetooth® Low Energy Module이 장착되어 있어 Bluetooth® 무선 기술에 기반하여 전동 공구의 상태 점검과 설정 내역 및 데이터 전송이 가능하며, 무선 데이터 전송을 통해 블루투스 사용이 가능한 두 제품 간의 근거리 통신이 가능합니다. 본 제품은 휴대전화와 Hilti 게이트웨이 간의 통신 및 데이터 전송이 가능하도록 개발되었습니다. 본 제품은 수신 단말기의 위치, 작동시간, 총 작업 횟수, 간격 주기 내 작업 횟수 및 전송 시간 스탬프 등과 같은 데이터 정보를 전송할 수 있습니다. 제공되는 컨넥티비티 기능에 관한 정보는 해당 Hilti 애플리케이션(앱) 또는 전동 공구의 사용 설명서에서 확인할 수 있습니다.

3.7.2 Bluetooth®를 이용한 데이터 전송

전송 주기는 제품에 제공되는 에너지 공급원에 따라 차이가 있을 수 있습니다. 도달가능거리는 사용하는 단말기를 비롯해 외부 요인에 따라 차이가 클 수 있습니다. 폐쇄된 공간에서 금속 성분의 장애물(예: 벽, 선반, 케이스 등)을 통과할 경우 Bluetooth® 도달가능거리가 현저하게 짧아질 수 있습니다. 환경에 따라 전동공구가 감지되지 전까지 여러 번 전송해야 할 수 있습니다.

전동공구가 감지되지 않으면, 다음과 같은 사항을 확인하십시오.

모바일 단말기와와의 거리가 너무 멀니까?

→ 모바일 단말기와 전동공구 사이의 거리를 좁히십시오

3.7.3 앱 설치 및 셋업

컨넥티비티 기능을 사용하려면, 먼저 해당 Hilti 앱을 설치해야 합니다.

(1.) 해당 앱 스토어를 통해 앱을 다운로드하십시오.



해당 앱 스토어의 사용자 계정이 있어야 합니다.

(2.) 앱을 처음 시작하면, 해당 계정으로 로그인하거나 계정을 등록하십시오.

(3.) 모바일 단말기의 디스플레이에서 전동공구와 모바일 단말기 연결에 필요한 모든 단계를 표시합니다.



먼저 앱의 사용지침을 정확하게 파악하십시오. 이렇게 하면 연결 과정 및 컨넥티비티 기능 사용에 대한 정보를 쉽게 확인할 수 있습니다.

3.8 과방전 방지 기능

본 제품은 리튬 이온 배터리가 과방전되지 않도록 보호하기 위해 딥슬립 모드가 제공됩니다. 이를 통해 배터리가 과방전되지 않도록 보호합니다.

- 360분후 과방전 방지 기능이 활성화됩니다.
- 과방전 방지 기능을 비활성화하려면, 배터리를 분리했다가 다시 끼우십시오.



3.9 공급품목

타정기, 사용 설명서.

해당 제품에 허용되는 기타 시스템 제품은 **Hilti Store** 또는 www.hilti.group에서 확인할 수 있습니다.

4 기술자료

| | BX 3-22 | BX 3-L-22 | BX 3-ME-22 |
|-----------------------------------|-----------------------|-----------------------|-----------------------|
| EPTA Procedure 01에 따른 중량(배터리 미포함) | 3.5kg | 3.5kg | 3.4kg |
| 핀 길이(매거진 모드) | 14mm ... 30mm | 14mm ... 36mm | 14mm ... 24mm |
| 개별 설정 시 핀 길이 | •/• | •/• | 30mm ... 36mm |
| 핀 직경 | 3mm | 2.75mm ... 3.0mm | 3mm |
| 매거진 용량 | 30개 핀 | 30개 핀 | 20개 핀 |
| 접촉 거리 | 12mm | 12mm | 12mm |
| 압착력 | 50N ... 70N | 50N ... 70N | 50N ... 70N |
| 실온에서 권장하는 최대 타정 빈도 | 700/h | 700/h | 700/h |
| 정격 전압 | 21.6V | 21.6V | 21.6V |
| 방사된 블루투스® 최대 송신 출력 | 8dBm | 8dBm | 8dBm |
| 블루투스 주파수 대역 | 2,402MHz ... 2,480MHz | 2,402MHz ... 2,480MHz | 2,402MHz ... 2,480MHz |
| 보관 온도 | -20 °C ... 70 °C | -20 °C ... 70 °C | -20 °C ... 70 °C |
| 작동 시 주변 온도 | -17 °C ... 60 °C | -17 °C ... 60 °C | -17 °C ... 60 °C |

4.1 배터리

| | |
|----------------|------------------|
| 배터리 모드 전압 | 21.6V |
| 배터리 무게 | 본 사용 설명서의 끝부분 참조 |
| 작동 시 주변 온도 | -17 °C ... 60 °C |
| 보관 온도 | -20 °C ... 40 °C |
| 충전 시작 시 배터리 온도 | -10 °C ... 45 °C |

4.2 EN 62841에 따른 소음 정보 및 진동값

이 지침에 제시된 음압 및 진동수준은 표준화된 측정방법에 따라 측정된 것이며, 전동 공구를 서로 비교하기 위한 용도로 사용할 수 있습니다. 음압 및 진동 수준은 노출 정도를 사전에 예측하는 데에도 유용하게 사용할 수 있도록 설계되어 있습니다.

제시된 데이터는 전동 공구의 주된 용도를 나타냅니다. 그러나 전동 공구를 다른 용도로 사용하거나 다른 공구 비트를 사용할 경우 또는 유지보수를 충분히 하지 않은 상태에서는 데이터에 편차가 있을 수 있습니다. 이러한 경우 전 작업시간에 걸쳐 노출이 현저하게 증가할 수 있습니다.

노출을 정확하게 평가하기 위해서는 기기 작동이 멈춰 있거나 또는 작동 중이지만 실제로는 사용하지 않는 시간도 고려해야 합니다. 이러한 경우 전 작업시간에 걸쳐 노출이 현저하게 감소할 수 있습니다.

사용자를 보호하기 위해 음파 그리고/또는 진동이 작용하기 전에 다음과 같은 추가적인 안전 조치를 취하십시오. 전동 공구와 공구 비트의 유지보수, 손을 따뜻하게 유지, 작업순서 정하기 등.

소음 정보

| | | BX 3-22 | BX 3-L-22 | BX 3-ME-22 |
|------------------------------------|------|---------|-----------|------------|
| 일반 A-가동 소음 수준(핀 압입 시) (L_{WA}) | 콘크리트 | 96dB | 96dB | 96dB |
| | 강철 | 100dB | 100dB | 100dB |
| 일반 A-가동 음압 수준(핀 압입 시) (L_{pA}) | 콘크리트 | 85dB | 85dB | 85dB |



| | | BX 3-22 | BX 3-L-22 | BX 3-ME-22 |
|--|----|---------|-----------|------------|
| 일반 A-가중 음압 수준(핀 압입 시) (L_{pA}) | 강철 | 89dB | 89dB | 89dB |
| 명시된 소음 수준에 대한 허용공차 (K_{WA} , K_{PA}) | | 3dB | 3dB | 3dB |

1축 진동 전체값(z-방향)

| | | BX 3-22 | BX 3-L-22 | BX 3-ME-22 |
|--|------|---------------------|---------------------|---------------------|
| 배터리 B22 55 사용 시 진동 배출값(핀 압입 시) (a_n) | 콘크리트 | 2.5m/s ² | 2.5m/s ² | 2.5m/s ² |
| | 강철 | 3.3m/s ² | 3.3m/s ² | 3.3m/s ² |
| 배터리 B22 85 사용 시 진동 배출값(핀 압입 시) (a_n) | 콘크리트 | 2.9m/s ² | 2.9m/s ² | 2.9m/s ² |
| | 강철 | 3.5m/s ² | 3.5m/s ² | 3.5m/s ² |
| 허용공차 (K) | | 1.5m/s ² | 1.5m/s ² | 1.5m/s ² |

5 작업 준비

경고

부상 위험 돌발적인 작동!

- ▶ 배터리를 끼우기 전에 해당 제품의 전원이 꺼져 있는지 확인하십시오.
- ▶ 기기 설정 또는 액세서리를 교체하기 전에 배터리를 제거하십시오.

본 문서 및 제품에 나와 있는 안전 지침 및 경고 지침에 유의하십시오.

5.1 배터리 충전

1. 충전하기 전에 충전기의 사용 설명서를 읽으십시오.
2. 배터리 및 충전기의 접점이 청결하고 건조한 상태인지 확인하십시오.
3. 허용되는 충전기에서 배터리를 충전하십시오. → 페이지 277

5.2 배터리 삽입

경고

부상 위험 부상 위험!

- ▶ 배터리를 끼우기 전에 배터리의 접점 및 제품의 접점에 이물질이 남아 있지 않은지 확인하십시오.
- ▶ 배터리가 제대로 고정되었는지 확인하십시오.

1. 처음으로 사용하기 전, 배터리를 완전히 충전하십시오.
2. 배터리가 제품에 고정되는 소리가 들릴 때까지 미십시오.
3. 배터리가 정확하게 설치되어 있는지 점검하십시오.

5.3 배터리 제거

1. 배터리의 잠금 해제 버튼을 누르십시오.
2. 배터리를 제품에서 빼내십시오.

5.4 화스너 가이드 분리하기

1. 맞물려 고정될 때까지, 핀을 미는 기구를 아래쪽으로 당기십시오.
2. 매거진의 내용물을 비우십시오. → 페이지 284
3. 화스너 가이드 잠금기구를 화살표 방향 스톱위치까지 미십시오.
 - ▶ 화스너 가이드 작동이 승인됩니다.
4. 화스너 가이드를 제거하십시오.

5.5 화스너 가이드 끼우기

1. 맞물려 고정될 때까지, 핀을 미는 기구를 아래쪽으로 당기십시오.
2. 매거진의 내용물을 비우십시오. → 페이지 284
3. 화스너 가이드 잠금기구를 화살표 방향 스톱위치까지 미 후, 스톱위치에서 잡고 계십시오.



4. 기기 러그에 고정되는 소리가 들릴 때까지 화스너 가이드를 미십시오.
5. 화스너 가이드 잠금기에서 손을 떼십시오.
 - ▶ 화스너 가이드 잠금기기가 중간 위치로 튀어 오릅니다.
6. 화스너 가이드에서 당겨보면서 화스너 가이드가 제대로 안착되었는지 점검하십시오.

5.6 벨트 후크와 비계 후크를 이용한 안전한 작업

- ▶ 작업을 시작하기 전에 벨트 후크/비계 후크가 제품에 고정되어 있는지 확인하십시오.
- ▶ 벨트 후크/비계 후크는 필요한 경우에만 사용하십시오. 제품을 장기간 사용하지 않을 경우 안전한 곳에 보관하십시오.

5.7 추락 방지장치

경고

부상위험 떨어지는 공구 및/또는액세서리에 의한 유발!

- ▶ 해당 제품에 권장하는 Hilti 공구 고정끈만 사용하십시오.
- ▶ 사용하기 전에 항상 공구 고정끈의 고정점에 손상된 곳이 없는지 확인하십시오.
- ▶ 벨트 후크에 공구 고정끈을 고정시키지 마십시오. 벨트 후크를 제품을 들어 올리는 용도로 사용하지 마십시오.

공중 작업에 대한 국가별 규정에 유의하십시오.

본 제품에 맞는 추락 방지장치로 Hilti 공구 고정끈 #2261970만 사용하십시오.

- ▶ 그림에 제시된 바와 같이 공구 고정끈을 카라비너와 함께 제품에 고정시키십시오. 카라비너 후크가 확실하게 고정되었는지 점검하십시오.
- ▶ 다른쪽 카라비너 후크를 하중을 지지하는 구조물에 고정시키십시오. 카라비너 후크가 확실하게 고정되었는지 점검하십시오.

Hilti 공구 고정끈의 사용 설명서 내용에 유의하십시오.

5.8 매거진 모드용으로 장착하기

주의

압착 위험! 핀을 미는 기구가 다시 튀어 올라 부상을 유발하고 타정기를 손상시킬 수 있습니다.

- ▶ 핀을 미는 기구를 아래로 당길 때 기구가 안전하게 맞물리도록 유의하십시오. 핀을 미는 기구가 다시 튀어 오르지 않도록 하십시오.

1. 맞물려 고정될 때까지, 핀을 미는 기구를 아래쪽으로 당기십시오.
2. 핀 스트립이 매거진 쪽으로 이동하도록 하십시오(핀 10개당 최대 스트립 3개).
3. 핀을 미는 기구를 단단히 고정하고 핀을 미는 기구 잠금해제 유닛을 누르십시오.
4. 핀을 미는 기구가 핀에 닿을 때까지 끼우십시오.

5.9 개별 설치 모드용으로 장착하기

BX 3-ME-22

주의

압착 위험! 핀을 미는 기구가 다시 튀어 올라 부상을 유발하고 타정기를 손상시킬 수 있습니다.

- ▶ 핀을 미는 기구를 아래로 당길 때 기구가 안전하게 맞물리도록 유의하십시오. 핀을 미는 기구가 다시 튀어 오르지 않도록 하십시오.

1. 맞물려 고정될 때까지, 핀을 미는 기구를 아래쪽으로 당기십시오.
2. 매거진에서 핀 스트립이 미끄러져 내려가게 한 후 매거진이 비어 있는지 확인하십시오.

개별 설치 모드에서 설치하기 전에 매거진에서 핀을 모두 제거하지 않은 경우 타정기가 손상될 수 있습니다.

3. 핀을 미는 기구를 단단히 고정하고 핀을 미는 기구 잠금해제 유닛을 누르십시오.



4. 핀을 미는 기구 위치를 되돌리십시오.
5. 핀을 화스너 가이드의 지정된 홈에 설치하십시오. 그리고 나서 허용되는 고정 요소를 추가로 화스너 가이드에 끼울 수도 있습니다.

핀 하나 이상을 화스너 가이드에 설치하면 타정기가 손상될 수 있습니다. 개별 설치 모드에서 화스너 가이드에 최대 핀 하나만 장착하십시오.

6. 개별 세트 스위치를 조작하십시오.
 - ▶ 개별 세트 스위치가 소리를 내며 맞물려 고정됩니다.

핀을 미는 기구가 몇 센티미터 아래쪽으로 밀리면, 개별 세트 스위치가 다시 풀립니다.

6 조작

본 문서 및 제품에 나와 있는 안전 지침 및 경고 지침에 유의하십시오.

6.1 지지대 다리 사용

지지대 다리는 측면 방향에서만 직각 위치에 유의하면 되기 때문에 평평한 지면에서 타정기가 쉽게 직각으로 설치될 수 있게 도와줍니다. 평평하지 않은 지면에서는 화스너 가이드가 지면에 직각으로 정렬되도록 지지대 다리를 앞으로 젖혀야 할 수도 있습니다.

6.1.1 지지대 다리 안쪽으로 접기

1. 잠금 위치에서 지지대 다리를 풀려면 지지대 다리 쪽으로 누르십시오.
2. 지지대 다리를 뒤로 젖히십시오.

6.1.2 지지대 다리 바깥쪽으로 젖히기

주의

압착 위험! 지지대 다리를 젖힐 때 손가락이 지지대 다리와 하우징 사이에서 압착될 위험이 있습니다.

▶ 손잡이에서 지지대 다리를 젖힐 때 타정기를 잡고 계십시오.

1. 지지대 다리를 앞쪽으로 젖히십시오.
2. 밖으로 젖혀진 위치에서 지지대 다리를 고정시키려면 아래에서 지지대 다리 쪽으로 누르십시오.

6.2 블루투스(옵션) 끄기

- ▶ 10초 동안 타정기를 모재에 대고 누르십시오.
 - ▶ 6초 후 스프링 부품의 조임이 풀리는 소리가 들립니다(타정기를 4초 동안 더 누르고 계십시오).
 - ▶ 상태 표시기가 청색으로 3회 깜박입니다.
 - ▶ 모터 소음이 3회 울립니다.
 - ▶ 데이터 전송이 불가능합니다.

블루투스가 허용되지 않는 민감한 환경에서 처해 있는 경우(예: 병원), 블루투스를 비활성화할 수 있습니다.

블루투스를 다시 켜려면, 배터리를 분리했다가 다시 끼우십시오.

6.3 타정기 켜기/끄기

6.3.1 타정기 켜기

경고

부상 위험! 타정기를 신체 부위로 누를 경우 실수로 리벳이 박혀 충상을 입을 수 있습니다.

▶ 어떠한 경우에도 타정기를 손 또는 다른 신체 부위 쪽으로 누르지 마십시오.

1. 매거진 모드에서 매거진을 장착하십시오. → 페이지 282
2. 배터리를 삽입하십시오. → 페이지 281
 - ▶ 상태 표시기가 천천히 녹색으로 깜박임.

배터리 성능이 줄어든 상태로 작동하면, 배터리셀이 손상되기 전에 타정기가 차단됩니다.



3. 전원을 켜려면 타정기를 적합한 모재에 대고 누르십시오.

- ▶ 타정기가 조여집니다.
- ▶ 상태 표시기가 녹색으로 점등됩니다.

6.3.2 타정기 끄기

- ▶ 배터리를 제거하십시오. → 페이지 281
- ▶ 스프링은 소리를 내며 풀리고, 상태 표시기가 소등됩니다.



타정기는 6분 후 타정기가 동시에 꺼진다는 안내음으로 모터 소음을 냅니다. 안내음이 울린 후 타정기는 자동으로 꺼집니다.

6.4 타정 작업 진행 6

경고

부상 위험 고정 요소 관통으로 인한 위험!

- ▶ 고정 요소를 타정하기 전에 고정 요소를 타정할 부품 뒤 또는 아래쪽에 머무는 사람이 아무도 없는지 확인하십시오.

경고

갑자기 튀어 나오는 부품으로 인한 부상 위험! 타정 작업 중에 모재에서 발생하는 재료 파편이나 핀 스트립의 돌출 부분으로 인해 눈 등 신체에 부상을 입을 수 있습니다.

- ▶ 안전 장비를 갖추고 항상 보안경과 보호장갑을 착용하십시오. 주위에 있는 모든 사람도 보안경과 안전모를 착용해야 합니다.

경고

부상 위험! 타정기를 신체 부위로 누를 경우 실수로 리벳이 박혀 중상을 입을 수 있습니다.

- ▶ 어떠한 경우에도 타정기를 손 또는 다른 신체 부위 쪽으로 누르지 마십시오.

1. 작업을 시작하기 전에 시험용으로 해당 모재에 2개의 고정 요소를 타정해보십시오.
2. 타정기를 지면에 직각이 되게 위치시킨 다음, 화스너 가이드를 스톱 위치까지 눌러 압착시키십시오.
 - ▶ 타정기가 켜집니다.
3. 안전 작동기를 눌러 핀을 타정하십시오.
4. 타정 후, 타정기를 모재로부터 완전히 들어올리십시오.



화스너 가이드가 설치되지 않은 채 6초 넘게 모재에 압착된 경우, 타정기는 스탠바이 모드로 자동으로 바뀝니다. 기기 러그를 다시 설치하면 타정기를 다시 작동할 수 있는 상태가 됩니다.

6.5 매거진 모드에서 핀 제거하기

1. 맞물려 고정될 때까지, 핀을 미는 기구를 아래쪽으로 당기십시오.
2. 핀을 매거진에서 아래쪽으로 빼내십시오.
3. 핀을 미는 기구를 단단히 고정하고 핀을 미는 기구 잠금해제 유닛을 누르십시오.
4. 핀을 미는 기구를 초기 위치로 되돌리십시오.

6.6 끼인 핀 풀기

경고

부상 위험 및 타정기 손상. 권장하는 Hilti의 정품 액세서리 대신 적합하지 않은 물건을 사용할 경우 부상을 입을 수 있으며 타정기가 손상될 수 있습니다.

- ▶ 끼인 핀을 물려면 권장하는 드리프트 펀치 세트만 사용하십시오.

경고

갑자기 튀어 나오는 부품으로 인한 부상 위험! 타정 작업할 때 화스너 가이드 부위에 이물질이 있거나 화스너 가이드에 고정 요소가 끼어 있는 경우 갑자기 튀어 나오는 부품으로 인해 부상을 입을 수 있습니다.

- ▶ 다른 타정 작업을 트리거링하면서 절대 타정기에 있는 장애 물질을 제거하려고 하지 마십시오.



i 개별 핀이 화스너 가이드에 끼어 있을 수 있습니다. 드리프트 펀치 세트 X-NP를 사용하여 화스너 가이드에 끼인 핀을 제거할 수 있습니다. 액세서리 제품은 Hilti 매장 또는 온라인 www.hilti.group에서 확인할 수 있습니다.

1. 화스너 가이드를 분리하십시오 (참조 → 페이지 281).
2. 화스너 가이드를 드리프트 펀치 세트의 어댑터 슬리브에 끼우십시오.
3. 끼인 핀을 드리프트 펀치 및 해머를 이용하여 화스너 가이드에서 빼내십시오.
4. 화스너 가이드를 끼우십시오 (참조 → 페이지 281).

7 관리 및 유지보수

경고

배터리가 끼워진 상태에서 부상 위험!

- ▶ 관리 및 수리 작업을 진행하기 전에 항상 배터리를 제거하십시오!

제품 관리

- 공구에 부착되어 있는 오염물질을 조심스럽게 제거하십시오.
- 오염물질이 있는 경우, 부드러운 마른 솔로 환기 슬롯을 조심스럽게 청소하십시오.
- 약간 물기가 있는 수건으로만 하우징을 청소해 주십시오. 플라스틱 부품을 손상시킬 수 있으므로 절대로 실리콘이 함유된 보호제를 사용하지 마십시오.
- 제품의 접점을 청소하려면 깨끗하고 마른 천을 사용하십시오.

리튬 이온 배터리 관리

- 환기 슬롯이 막힌 상태에서는 절대 배터리를 사용하지 마십시오. 부드러운 마른 솔로 환기 슬롯을 조심스럽게 청소하십시오.
- 배터리가 불필요하게 먼지 또는 오염물에 노출되지 않도록 하십시오. 배터리를 절대 습도가 높은 곳에 두지 마십시오(예: 물 속에 담그거나 비내리는 곳에 두는 행위).
배터리에 물이 들어가면, 손상된 배터리처럼 취급하십시오. 물이 들어간 배터리는 비가연성 용기에서 절연시킨 후, Hilti 서비스 센터에 문의해 주십시오.
- 배터리를 외부 오일 및 그리스가 묻지 않도록 깨끗하게 유지하십시오. 배터리에 불필요하게 먼지 또는 오염물이 쌓이지 않도록 하십시오. 배터리를 부드러운 마른 솔 또는 깨끗하고 마른 걸레로 닦아내십시오. 플라스틱 부품을 손상시킬 수 있으므로 절대로 실리콘이 함유된 보호제를 사용하지 마십시오.
배터리의 접점에 접촉하지 말고, 접점에서 공구축에 부착된 그리스를 제거하지 마십시오.
- 약간 물기가 있는 수건으로만 하우징을 청소해 주십시오. 플라스틱 부품을 손상시킬 수 있으므로 절대로 실리콘이 함유된 보호제를 사용하지 마십시오.

유지보수

- 눈에 보이는 모든 부품은 정기적으로 손상 여부를 점검하고 조작성이 아무 문제 없이 작동하는지 점검하십시오.
- 손상되었거나 기능 장애가 있는 경우에는 제품을 작동하지 마십시오. 즉시 Hilti 서비스 센터에 제품 수리를 의뢰하십시오.
- 관리 및 수리 작업 후 모든 보호장치를 가져와 기능에 이상이 없는지 점검하십시오.

i 안전한 사용을 위해서 순정 예비 부품 및 소모품만을 사용하십시오. Hilti에서 승인한 예비 부품, 소모품 및 액세서리는 Hilti Store 또는 www.hilti.group

7.1 기기 러그의 안쪽 청소하기

1. 화스너 가이드를 분리하십시오. → 페이지 281
2. 기기 러그의 안쪽을 청소하십시오.
3. 화스너 가이드를 끼우십시오. → 페이지 281

8 충전식 공구 및 배터리 운반 및 보관

운반

주의

운반 시 돌발적으로 작동됨!

- ▶ 제품은 항상 배터리를 장착하지 않은 상태로 운반하십시오!



- ▶ 배터리를 분리하십시오.
- ▶ 기기는 항상 안전한 케이스 안에 넣어 운반 및 보관하십시오.
- ▶ 배터리를 포장하지 않은 채로 운반해서는 절대 안 됩니다. 운반하는 도중 배터리에 과도한 충격을 받거나 진동이 발생하지 않게 하고 모든 전도성 소재 또는 다른 배터리로부터 분리시켜 다른 배터리 전극에 닿지 않고 단락이 발생하지 않게 하십시오. 배터리와 관련된 현지 운반 규정에 유의하십시오.
- ▶ 배터리는 우편을 통해 전달할 수 없습니다. 손상이 없는 배터리를 전송하고자 하는 경우 배송업체에 문의 하십시오.
- ▶ 제품 및 배터리를 사용하기 전에 그리고 장시간 운반한 후에는 항상 손상 여부를 점검하십시오.

보관



경고

배터리 결함 또는 방전으로 인한 돌발적인 손상!

- ▶ 제품은 항상 배터리를 장착하지 않은 상태로 보관하십시오!
- ▶ 제품 및 배터리를 서늘하고 건조한 곳에 보관하십시오. 기술자료에 나와있는 허용 온도한계값에 유의하십시오.
- ▶ 배터리를 충전기에 보관하지 마십시오. 충전 후에는 항상 배터리를 충전기에서 분리하십시오.
- ▶ 배터리는 절대 직사광선이 들어오는 곳, 열원 위 또는 유리 뒤쪽에 보관하지 마십시오.
- ▶ 제품은 및 배터리는 어린이나 외부인의 손이 닿지 않는 곳에 보관하십시오.
- ▶ 사용하기 전 그리고 장시간 보관하기 전과 후에는 항상 제품 및 배터리의 손상 여부를 점검하십시오.

9 문제 발생 시 도움말

다른 사항이 명시되어 있지 않는 한, 기술된 모든 점등 신호는 타정기의 상태 표시기를 참조하십시오. 장애 발생 시 항상 배터리의 충전 상태 및 고장 표시 내용에 유의하십시오. 리튬이온 배터리 표시 단원을 참조하십시오. 본 도표를 제시되어 있지 않거나 스스로 해결할 수 없는 문제가 발생한 경우 **Hilti** 서비스 센터에 문의하십시오.

| 장애 | 예상되는 원인 | 해결책 |
|--|-----------------------|------------------------------------|
| 상태 표시기가 녹색으로 깜박임. | 배터리 방전됨. | ▶ 배터리를 교체하십시오. |
| 스프링 부품이 조여지지 않고, 상태 표시기가 녹색으로 깜박임. | 배터리 방전됨. | ▶ 배터리를 교체하십시오. |
| 화스너 가이드가 압착되지 않고, 상태 표시기가 청색으로 점등됨. | 매거진 비어 있음. | ▶ 매거진 모드에서 매거진을 장착 하십시오. → 페이지 282 |
| 화스너 가이드가 압착되지 않고, 상태 표시기가 녹색으로 점등됨. | 핀 스트립 끼임. | ▶ 핀 스트립을 매거진에서 분리한 후 매거진을 청소하십시오. |
| | 핀이 화스너 가이드에 끼임. | ▶ 끼인 핀을 푸십시오. → 페이지 284 |
| 스프링 부품 조임 속도가 지연됨, 상태 표시기가 청색으로 점등됨, 동시에 음향 신호가 울림, 그 이후 상태 표시기가 6분 동안 청색으로 점등됨. | 매거진 비어 있음. | ▶ 매거진 모드에서 매거진을 장착 하십시오. → 페이지 282 |
| 스프링 부품이 다시 조여지지 않고, 상태 표시기가 황색으로 깜박임. | 타정기 과열. | ▶ 타정기를 냉각시키십시오. |
| | 배터리 온도 너무 높음. | ▶ 배터리를 냉각시키십시오. |
| | 배터리 온도 너무 낮음. | ▶ 실온에서 배터리를 서서히 따뜻하게 하십시오. |
| 스프링 부품이 조여지지 않고, 상태 표시기가 적색으로 깜박임. | 화스너 가이드가 제대로 끼워지지 않음. | ▶ 화스너 가이드를 끼우십시오. → 페이지 281 |
| 스프링 부품이 조여지지 않고, 상태 표시기가 적색으로 점등됨. | 기기 고장. | ▶ Hilti 서비스 센터에 문의해 주십시오. |
| 스프링 부품이 조여지지 않고, 상태 표시되지 않음. | 배터리 방전됨. | ▶ 배터리를 교체하십시오. |
| | 배터리가 제대로 끼워지지 않음. | ▶ 배터리를 분리했다가 제대로 끼우십시오. → 페이지 281 |



| 장애 | 예상되는 원인 | 해결책 |
|------------------------------|-------------------------|--------------------------------|
| 스프링 부품이 조여지지 않고, 상태 표시되지 않음. | 과방전 방지 기능이 활성화됨. | ▶ 배터리를 분리했다가 다시 끼우십시오. |
| 압착된 상태에서 화스너 가이드 끼임. | 화스너 가이드와 기기 러그 사이의 오염물. | ▶ 기기 러그의 안쪽을 청소하십시오. → 페이지 285 |

10 폐기

경고

부적절한 폐기로 인한 부상 위험! 새어나오는 가스 또는 용액으로 인한 건강상의 위험.

- ▶ 손상된 배터리는 전달하지 마십시오!
- ▶ 비전도성 소재로 연결 단자를 막아 두어 단락이 발생하지 않게 하십시오.
- ▶ 배터리가 어린이의 손에 닿지 않도록 폐기하십시오.
- ▶ **Hilti Store**에서 배터리를 폐기하거나 또는 담당 폐기를 처리 업체에 문의하십시오.

Hilti 제품은 대부분 재사용이 가능한 소재로 제작되었습니다. 재활용을 위해 개별 부품을 분리하여 주십시오. **Hilti**는 대부분의 국가에서 재활용을 위해 노후기기를 수거해 갑니다. **Hilti** 고객 서비스 센터 또는 판매 상담자에게 문의하십시오.



- ▶ 전통 공구, 전자식 기기 및 배터리를 일반 가정 쓰레기로 폐기하지 마십시오!

11 제조회사 보증

- ▶ 보증 조건에 관한 질문사항은 현지 **Hilti** 파트너사에 문의하십시오.

12 기타 정보

작동법, 기술, 환경 및 재활용에 대한 세부 정보는 qr.hilti.com/manual?id=2268212&id=2268213에서 확인할 수 있습니다.

해당 링크는 본 문서 끝에 QR 코드 형식으로도 제시되어 있습니다.

原廠操作說明

1 文件相關資訊

1.1 關於此文件

- 初次操作或使用前，請先詳讀此文件。本文件包含安全前提、疑難排解處理和產品使用。
- 請遵守本文件中與產品上的安全說明和警告。
- 操作說明應與產品一起保管，產品交予他人時必須連同操作說明一起轉交。

僅適用於台灣

進口商: 喜利得股份有限公司

地址: 新北市板橋區

新站路16號24樓22041

電話: 0800-221-036

1.2 已使用的符號解釋

1.2.1 警告

警告您在操作或使用本產品時可能發生之危險。採用了以下標示文字：

危險

危險！

- ▶ 此標語警示會發生對人造成嚴重傷害甚至致死的危險情形。



警告

警告！

▶ 此標語警示會造成嚴重傷害甚至致死危險的潛在威脅。

注意

注意！

▶ 請小心會造成人員受傷或對設備及其他財產造成損害的潛在危險情況。

1.2.2 操作說明中的符號

本操作說明中採用以下符號：

| | |
|--|---------------------|
| | 請遵照操作說明 |
| | 使用操作說明與其他資訊 |
| | 處理可回收的材料 |
| | 不可將電子設備與電池當作家庭廢棄物處置 |
| | Hilti 鋰電池 |
| | Hilti 充電器 |

1.2.3 圖解中的符號

圖解中採用了以下符號：

| | |
|--|---------------------------------|
| | 號碼對應操作說明的開始處的圖解。 |
| | 編號代表圖解中的操作步驟順序，可能與內文中的步驟有所不同。 |
| | 概覽圖解中使用位置編號，方便您對應到產品概覽段落中的圖例編號。 |
| | 這些特色是為了讓您在操作本產品時可以注意某些重點。 |

1.3 產品專屬符號

1.3.1 產品上的符號

產品上會採用下列符號：

| | |
|--|--|
| | 表示「必須完成」的一般符號 |
| | 穿戴護目鏡 |
| | 穿戴耳罩 |
| | 穿戴安全帽 |
| | 本產品支援近距離無線通訊 (NFC) 技術，其相容於iOS及Android平台。 |
| | 鋰電池 |
| | 請勿將電池使用作為敲擊工具。 |
| | 避免電池掉落。不得使用遭受衝擊或其他原因遭成損壞的電池。 |



1.4 產品資訊

HILTI 產品是針對專業使用者設計，故僅經訓練、認可的人員可操作、維修與維護本產品。必須告知上述人員關於可能遭遇到的特殊危險。若因未經訓練人員操作錯誤或未依照其原本的用途操作，則本產品和它的輔助工具設備有可能會發生危險。

類型名稱和序號都標示於額定銘牌上。

- ▶ 在下方表格中填入序號。與Hilti維修中心或當地Hilti機關聯絡查詢產品相關事宜時，我們需要您提供產品詳細資訊。

產品資訊

| | |
|------|----------------------------------|
| 固定機具 | BX 3-L-22 BX 3-ME-22 BX 3-22 |
| 產品代別 | 03 |
| 序號 | |

1.5 符合聲明

基於製造商唯一的責任，本公司在此聲明本產品符合適用法規及標準。本文件結尾處有符合聲明之副本。

技術文件已歸檔：

Hilti Entwicklungsgesellschaft mbH | Tool Certification | Hiltistrasse 6 | D-86916 Kaufering, Germany

2 安全性

2.1 一般電動機具安全警告

▲ 警告 請詳閱本電動機具提供的所有安全警告、指示、圖解和說明。未能遵守以下所有指示可能會造成電擊事故、火災和/或嚴重的傷害。

妥善保存所有警示及說明，以供將來參考。

注意事項中的「機具」係指使用電源（有線）或電池（無線）的電動機具。

工作區域安全

- ▶ 請保持工作區的清潔與採光充足。雜亂而昏暗的工作區會導致意外發生。
- ▶ 勿在容易發生爆炸的環境中使用機具，例如有可燃性液體、瓦斯或粉塵存在的環境。機具產生的火花可能會引燃塵埃或煙霧。
- ▶ 操作機具時，請與兒童及旁人保持距離。注意力不集中時容易發生失控的情形。

電力安全

- ▶ 機具插頭與插座須能互相搭配。勿以任何方式改裝插頭。勿將任何變壓器插頭和與地面接觸（接地）的電動機具搭配使用。未經改裝的插頭以及能互相搭配的插座可減少發生電擊的危險。
- ▶ 避免讓身體碰觸到如管線、散熱器、爐灶與冰箱等與土地或地表接觸之物品。如果您的身體接觸到地表或地面，將增加電擊的危險。
- ▶ 請勿將機具曝露在下雨或潮濕的環境中。若水氣進入機具中將增加觸電的危險。
- ▶ 勿濫用電纜線。勿以電纜線吊掛、拖拉機具或拔下機具插頭。電纜線應避開熱氣、油、銳利的邊緣或移動性零件。電纜線損壞或纏繞會增加發生電擊事故的危險。
- ▶ 於室外操作機具時，須使用適用於戶外的延長線。使用適合戶外使用的延長線可降低觸電的風險。
- ▶ 如果無法避免在潮濕的地點操作機具，請使用漏電斷路器（RCD）保護電源供應器。使用漏電斷路器（RCD）可降低電擊的風險。

人員安全

- ▶ 操作機具時，請提高警覺，注意進行中的工作並善用常識。感到疲勞或受到藥物、酒精或治療的影響時勿使用機具。操作機具時稍不留神就可能造成嚴重的人員傷亡。
- ▶ 穿戴個人防護裝備。請隨時穿戴眼罩。適當使用防塵面罩、防滑鞋、安全帽及耳罩等安全防護配備可減少人員的傷害。
- ▶ 避免不經意的啟動。在接上電源或電池組、抬起或攜帶機具之前，務必確認開關處於關閉的位置。攜帶機具時，如果把手指放在開關上，或在開關開啟時，將機具插上插頭容易發生意外。
- ▶ 啟動機具前，應將所有調整鑰匙或扳手移開。將扳手或鑰匙留在機具的旋轉零件中可能會造成人員傷害。
- ▶ 勿將手伸出過遠。隨時站穩並維持平衡。這可讓您在意外情況發生時，對機具有較好的控制。
- ▶ 穿著適當服裝。請勿穿著寬鬆的衣服或佩戴珠寶。頭髮、衣服與手套應遠離移動性零件。移動性零件可能會夾到寬鬆的衣服、珠寶或長髮。
- ▶ 如果機具可連接吸塵裝置與集塵設備，請連接並適當使用這些設備。使用集塵裝置可降低與粉塵有關的危險。
- ▶ 請勿因頻繁而習慣使用機具便疏於遵守或忽略機具的安全規範。草率使用可能在轉眼間便造成嚴重的傷害。



機具使用與保養

- ▶ 不可強制使用機具。依據用途使用正確的機具。根據設計的速率使用機具可更快速安全地完成工作。
- ▶ 若開關無法啟動或關閉電動工具時，請勿使用電動工具。任何無法以開關控制的機具都很危險且需要維修。
- ▶ 在進行任何調整、更換配件、或貯放電動機具前，請先將插頭拔離插座和 / 或將電池組自電動機具卸下（如可拆卸）。此預防安全措施可降低機具意外啟動的風險。
- ▶ 將閒置的機具貯放在兒童拿不到的地方，勿讓不熟悉或未詳閱本說明的人員操作本機具。機具在未經訓練的使用者手中是很危險的。
- ▶ 維護機具與配件。請檢查移動性零件有無偏移或黏合的情形、零件有無破損，以及任何會影響機具運轉的狀況。如果機具受損，請先維修後再使用。很多意外便是由維護不當的機具造成的。
- ▶ 保持切割機具的銳利與清潔。具銳利切割邊緣的切割機具如果得到適當的維護，便較不會發生黏合的現象，且較容易控制。
- ▶ 遵守本指示說明使用機具、配件和工具組等，並考量工作條件與待進行的工作。將機具用在原目的之外用途可能會造成危險。
- ▶ 保持握把與其表面的乾燥、清潔且不要讓上面出現油漬。握把及其表面濕滑會在意外情況中造成機具無法安全掌控。

電池機具的使用與保養

- ▶ 務必使用原廠指定的充電器進行充電。將適合特定類型電池的充電器使用在其他電池時，會有造成火災的危險。
- ▶ 務必使用機具特別指定的電池匣。使用其他的電池匣可能會造成受傷或火災。
- ▶ 電池匣未使用時，請將其遠離如迴紋針、錢幣、鑰匙、針、固定釘或其他會在電池兩極間形成連結的小型金屬物件。在電池兩極間建立短路可能會造成灼傷或火災。
- ▶ 若使用不當，可能會有液體由電池流出；請避免接觸該液體。若不慎接觸，請以清水沖洗。如果不小心讓液體接觸到眼睛，請立即尋求醫療援助。從電池中滲出的液體，可能會導致過敏或灼傷。
- ▶ 請勿使用損壞或改裝過的電池組或機具。受損或改裝過的電池可能會無法正常運作而造成起火、爆炸或受傷的風險。
- ▶ 請勿將電池組或機具曝露在火源或極端的溫度環境中。曝露在火源或溫度超過130°C (265°F) 的環境下可能會造成爆炸。
- ▶ 請遵守充電操作說明且不要在說明所載的溫度範圍之外為電池組或機具充電。不當充電或在指定溫度範圍外充電均可能造成電池損壞並提高起火的風險。

維修服務

- ▶ 請將機具交給合格的維修人員進行維修，並使用相同的替代零件。這可確保維護機具安全。
- ▶ 請勿自行維修損壞的電池。損壞的電池僅可由製造商或授權的維修商進行維修。

2.2 擊釘器安全警告

- ▶ 請隨時假設機具中含有固定釘。未小心操作固定機具會意外擊發固定釘並造成人員受傷。
- ▶ 請勿將本機具朝向自己或附近的人。意外擊發的鋼釘可能會從機具中彈出造成受傷。
- ▶ 若未將機具緊貼工件，請勿擊發。若機具未與工件接觸，則固定釘可能會從標的物反彈開來。
- ▶ 當固定釘卡在機具中時請將機具電源斷開。在卸下卡住的固定釘時，若仍接電則可能意外將固定機具擊發。
- ▶ 移除卡住的固定釘時請務必小心。機構本身還在加壓且固定釘在嘗試排除卡釘狀態時，固定釘可能會被強制排出。
- ▶ 在固定電纜線時，請確認電纜未通電。請確實握住固定機具握把的絕緣面。務必使用專為安裝電纜線所設計的固定釘。檢查固定釘是否有損壞電纜的絕緣層。若鋼釘損壞電纜線的絕緣層將造成電擊與火災危險。

2.3 安全操作說明

使用者應具備條件

- ▶ 僅經授權且受過訓練的人員可進行本產品的操作或維修。

人員防護配備

- ▶ 使用機具時，您及所有周遭人員都必須戴上護目鏡、耳罩與安全帽。

人員安全

- ▶ 請閱讀操作手冊中有關機具操作、保養和維護的說明。
- ▶ 操作釘槍時，請提高警覺，注意進行中的工作並保持冷靜。當您感到疲倦或受到藥品、酒精或治療影響時請勿使用本產品。如果感到疼痛或不適，請您停止作業。操作釘槍時稍不留神便會造成嚴重的人員傷亡。
- ▶ 避免不良的姿勢。請隨時確定自己以安全的姿勢工作並保持身體平衡。
- ▶ 穿上防滑鞋。



- ▶ 因此，絕對不可用手拉回固定釘導管頭或固定釘。
 - ▶ 在特定情況下，將套管或固定釘向後拉時，也會使產品進入「可擊發」狀態。待擊發機具的固定釘或活塞可能因操作不慎而釘入身體部位。
- ▶ 操作產品時，請保持手臂的活動空間（切勿伸直手臂）。
- ▶ 禁止小孩及非專業人員進入工作區域。
- ▶ 掉落的工具和配件有導致受傷的危險。開始作業前，請確認電池和安裝的附件已確實固定。
- ▶ 通風口請務必隨時保持暢通。因通風口被蓋住而有火災之虞！
- ▶ 請勿直視機具的光源（LED），並且勿將光束瞄準其他人的臉部。可能會導致暈眩或眼睛受損的風險。

釘槍的使用與保養

- ▶ 固定釘穿透的風險。擊發固定釘前，請確認要作業之物體後方與下方無其他人員。
- ▶ 請針對工作使用正確的產品。請勿將產品用於非規定之用途，請僅依規定使用在運作無礙狀態的機具。
- ▶ 產品填裝好後需隨時有人看管。
- ▶ 進行清潔、維修、更換固定釘導管頭、休息、貯放前應將產品卸載（移除固定釘）。
- ▶ 在不使用的狀態下，產品必須先卸載，然後再存放在孩童伸手無法觸及、乾燥且有上鎖的地方。
- ▶ 請檢查產品及其配件是否有任何損壞。檢查移動性零件的功能是否無瑕疵，無任何零件損壞。
 - ▶ 所有零件必須正確安裝，並符合正確操作本產品的所有必要條件。除非操作說明中有特別註明，否則受損之零件需由Hilti服務中心進行維修或更換。
- ▶ 開始工作前，請先檢查工作區域是否有隱藏的電纜線、瓦斯管或水管。電線、天然氣管線或水管若損壞，本產品外側上的金屬零件可能導致觸電或爆炸。
- ▶ 勿將固定釘釘入不合適的材料中。
 - ▶ 不合適的材料包括鍛鋼及鑄鋼、鑄鐵、玻璃、大理石、塑膠、青銅、黃銅、銅、絕緣材料、空心磚、瓷磚、薄金屬板（< 4 mm）和多孔混凝土。將固定釘擊入這些材料會造成固定釘斷裂、材料破碎或固定釘穿透。
- ▶ 當產品完全以垂直角度抵住工作面時方能扣上扳機。
- ▶ 擊發固定釘時，請以正確角度朝向工作面握住產品，以防止固定釘被工作面反彈回來。
- ▶ 請保持握把的乾燥與清潔，不要讓上面出現油漬。
- ▶ 切勿使產品落下。
- ▶ 請勿將連發釘匣作為握把使用。
- ▶ 請勿在有發生火災或爆炸危險地區使用本產品，除非經特殊認可允許在這種情況下使用。
- ▶ 除非Hilti提出相關建議（例如DX-Kwik），否則請勿將任何元件釘入現有孔洞中。

機械安全規範

- ▶ 請勿玩弄或改裝產品或其配件，尤其是活塞部份。
- ▶ 僅限使用經認可適用於本產品的固定釘種類。

高溫安全規範

- ▶ 請勿使用比建議的最大值更快的固定釘驅動速率。
- ▶ 產品過熱時，請讓它冷卻。
- ▶ 產品尚熱時，請勿將其拆解。讓產品冷卻。

2.4 小心處理和使用電池

- ▶ 請遵守下列安全操作和使用鋰電池的安全注意事項。若未遵守，可能造成皮膚不適、嚴重腐蝕、化學燙傷、起火和/或爆炸。
- ▶ 請使用狀態完好無損的電池。
- ▶ 請小心處理電池，以避免其受損以及防止會嚴重危及健康的液體流出！
- ▶ 電池嚴禁修改或改裝！
- ▶ 請勿拆解、擠壓或焚燒電池，且不可將電池置放在溫度超過80°C（176°F）的環境中。
- ▶ 電池受過衝擊或其他損壞後，請勿使用或充電。請定期檢查電池是否有損壞的跡象。
- ▶ 請勿使用回收或維修過的電池。
- ▶ 請勿將電池或電池供電之機具作為錘子使用。
- ▶ 請勿讓電池暴露在直接日曬、溫度過高、有火花或明火的環境中，否則可能導致爆炸。
- ▶ 請勿用手指、工具、珠寶或其他會導電的物品觸摸電池極柱，否則可能導致電池損壞、財物損失和人員受傷。
- ▶ 電池應避免淋雨、潮濕和水氣。水氣滲入會造成短路、觸電、燙傷、起火和爆炸。
- ▶ 請使用適用於該電池型號的充電器與電動工具。請詳閱並遵守相關操作說明書中的說明。
- ▶ 請勿在易爆炸環境中使用或存放電池。



- ▶ 若電池溫度過高無法觸摸，表示電池可能已經毀損。將電池放在清楚可見且沒有火災危險、遠離易燃材料的位置。讓電池冷卻。若一小時後電池溫度仍然過高無法觸摸，表示電池可能已經毀損。請洽詢Hilti維修中心或詳讀「Hilti鋰電池安全注意事項和使用」文件。

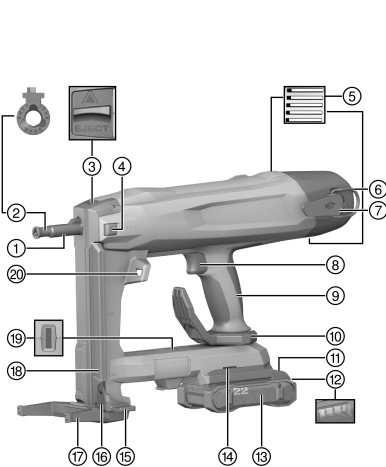


請遵守適用於運輸、存放和使用離子電池的專用指令。

請透過本操作說明書末尾的條碼取得並詳讀Hilti鋰電池安全注意事項和使用。

3 說明

3.1 產品總覽



- ① 槍口
- ② 固定釘導管頭
- ③ 固定釘導管頭鎖定扣鉤
- ④ 單釘頭 (BX 3-ME-22)
- ⑤ 通風口
- ⑥ 工具繫繩吊環
- ⑦ 皮帶掛鉤
- ⑧ 扳機
- ⑨ 握把
- ⑩ 皮帶掛鉤 / 支架掛鉤
- ⑪ 電池拆卸鈕
- ⑫ 電池狀態指示燈
- ⑬ 鋰電池
- ⑭ 配備安裝開孔
- ⑮ 推釘器
- ⑯ 推釘器釋放機構
- ⑰ 支撐腳
- ⑱ 釘匣
- ⑲ 釘槍狀態指示燈
- ⑳ 工作區域照明

3.1.1 設備

固定釘導管頭和支撐腳隨產品而有所差異。下表為您列出產品所配備的支撐腳和固定釘導管頭。您可在提箱上蓋找到更多詳細資訊，或者請向Hilti Store諮詢或前往網址：www.hilti.group

| 產品 | BX 3-22 | BX 3-L-22 | BX 3-ME-22 |
|--------|---------------|---------------|---------------|
| 固定釘導管頭 | X-FG B3 IF 02 | X-FG B3 IF 02 | X-FG B3 ME |
| 支撐腳 | X-SL B3 03 | X-SL B3 03 | X-SL B3 ME 03 |

3.2 用途

本產品為手持充電式固定機具。適用於將特製固定釘釘入混凝土、鋼材、石材、石灰板和其他適合直接固定技術的材料中。在使用適當固定釘時，本產器也可用於固定含扣夾的電纜線。請僅使用認可的固定釘搭配其對應的固定釘導管頭（請參閱「技術資料」一節）。

固定機具、電池和固定釘組成技術實體。這代表唯有在使用Hilti專門製造的固定釘以及由Hilti推薦的充電器和電池的情況下，才能保證使用此固定機具能順利地進行固定作業。僅在這些條件符合的情況下，方能進行Hilti所建議的固定及應用作業。

- ▶ 此固定機具僅允許以手持方式使用。
- ▶ 絕不可誤用本固定機具。誤用機具包括將固定釘擊入極軟的基材（如木材）中或超硬基材（如高強度鋼材或極硬的天然石材）。
- 本產品限使用B 22Hilti Nuron系列鋰電池。為達最理想的效能，Hilti建議本產品使用本操作說明書末尾表格中所列的電池。
- 僅可使用本操作說明末尾表格中所列的Hilti系列的電池充電器為電池充電。



3.3 安全裝置

使用鋼釘連發釘匣時，鋼釘偵測器可防止在無鋼釘的情況下觸發扳機而造成固定機具損壞。觸壓安全裝置作用在於防止鋼釘亂飛（亦即在槍口未與工件接觸的情況下觸動並擊發鋼釘）。使用鋼釘連發釘匣時，可將固定機具壓在工作面上並在機具有裝載鋼釘的情況下才擊發。

3.4 產品特點

本固定機具搭載一符合人體工學、防滑且吸震之握把、一個皮帶掛鉤與支架掛鉤及一個支撐腳架。本產品配有電子式過載保護可預防過載，以及溫度監控可預防過熱。

3.5 釘槍狀態指示燈

釘槍狀態指示燈提供釘槍狀態的相關資訊。

| 狀態 | 意義 |
|--------------|-----------------------------|
| LED熄滅 | 固定機具已關閉。 |
| LED亮起綠燈。 | 固定機具啟動且可以使用時。 |
| LED閃爍綠燈。 | 電池過熱或電池電力不足 |
| LED每隔3秒閃爍綠燈。 | 固定機具處於待機模式，槍口一受到施壓，固定機具便會啟動 |
| LED亮起藍燈。 | 固定機具已啟動，需要裝載釘帶。 |
| LED閃爍藍燈。 | 固定機具已啟動，連發釘匣已完全用完。 |
| LED閃爍黃燈。 | 固定機具過熱，參閱「故障排除」章節 |
| LED閃爍紅燈。 | 功能故障 - 參閱「故障排除」章節。 |
| LED亮起紅燈。 | 功能故障 - 參閱「故障排除」章節。 |

3.6 鋰電池的顯示幕

Hilti Nuron鋰電池會顯示電池的電力、錯誤訊息和狀態。

3.6.1 電力和錯誤訊息的顯示



警告

有受傷的危險！因電池掉落

- ▶ 電池已插入時，請在按下拆卸鈕後確保電池重新正確地卡入所使用的產品中。

如欲獲得下列其中一個顯示畫面，請短按電池拆卸鈕。

只要已連接的產品已啟動，也會持續顯示充電狀態和可能的功能故障。

| 狀態 | 意義 |
|------------------|--|
| 四個 (4) LED持續亮綠燈 | 充電狀態：100 %至71 % |
| 三個 (3) LED持續亮綠燈。 | 充電狀態：70 %至51 % |
| 兩個 (2) LED持續亮綠燈。 | 充電狀態：50 %至26 % |
| 一個 (1) LED持續亮綠燈。 | 充電狀態：25 %至10 % |
| 一個 (1) LED緩慢閃綠燈。 | 充電狀態：< 10 % |
| 一個 (1) LED快速閃綠燈。 | 鋰電池已完全沒電。裝入電池。 電池充電後若LED仍快速閃爍，請洽詢Hilti維修中心。 |
| 一個 (1) LED快速閃黃燈。 | 鋰電池或與之連接的產品過載、溫度太高、溫度太低或有其他故障情形。 請讓產品和電池維持在建議的操作溫度，並在使用時不要使產品過載。 若訊息持續存在，請洽詢Hilti維修中心。 |
| 一個 (1) LED亮黃燈 | 鋰電池和與其連接的產品不相容。請聯絡Hilti維修中心。 |
| 一個 (1) LED快速閃紅燈 | 鋰電池已鎖定，無法繼續使用。請聯絡Hilti維修中心。 |



3.6.2 顯示電池狀態

如欲檢查電池狀態，請按住拆卸鈕3秒鐘以上。系統無法偵測到電池因掉落、刺穿、外部熱損傷等錯誤使用造成的潛在功能故障。

| 狀態 | 意義 |
|------------------------------|--|
| 所有LED以跑馬燈形式亮起，然後一個LED持續亮起綠色。 | 電池仍可繼續使用。 |
| 所有LED以跑馬燈形式亮起，然後一個LED快速閃爍黃色。 | 無法完成有關電池狀態的查詢。請重複上述程序或洽詢Hilti維修中心。 |
| 所有LED以跑馬燈形式亮起，然後一個LED持續亮起綠色。 | 若連接之產品仍可繼續使用，剩餘的電池容量會低於50%。 若連接之產品無法使用，表示電池已達最終使用壽命，應進行更換。請聯絡Hilti維修中心。 |

3.7 藍牙® (選配)

Bluetooth®字樣標記及其標誌 (Logo) 均為Bluetooth SIG, Inc.的註冊商標及資產。必須取得Hilti股份公司的授權，才獲准以各種形式使用此字樣標記 / 標誌。

3.7.1 依規定使用

本產品配備Bluetooth®低功耗模組，此模組以Bluetooth®無線技術為基礎進行機具狀態檢測並傳輸設定和數據，這是一種無線資料傳輸系統，可讓兩個支援Bluetooth功能的產品在近距離內相互通訊。開發本產品是為了讓行動電話和Hilti開道器之間進行通訊與資料傳輸。此產品可傳送每隔一段時間傳送資料特性，例如負責接收之終端裝置的所在位置、運轉時間、總計使用次數、特定時間內的使用次數，並且傳送傳輸時間戳記。您可從對應的Hilti應用程式內 (App) 或所使用之機具的操作說明中，取得所提供之連線功能的相關資訊。

3.7.2 透過Bluetooth®進行資料傳輸

傳輸的間隔時間可能隨產品可用電源而有所不同。有效通訊範圍可能隨外在因素 (例如所使用的接收裝置) 而大大不同。若是在密閉空間內或者訊號必須穿透金屬屏障 (例如牆面、置物櫃、提箱等)，則Bluetooth®功能的有效通訊範圍可能會明顯縮短。視周遭環境而定，可能需要耗費多個傳輸間隔時間才能偵測到本機具。若是偵測不到機具，請您確認以下各點：

是否與終端行動裝置相隔太遠？

→ 請拉近終端動裝置與機具之間的距離

3.7.3 安裝並設置App

若要使用連線功能，則您必須安裝相關的Hilti App。

(1.)請透過對應系統的App商店下載App。



必須事先備妥對應的App商店的使用者帳號。

(2.)請在第一次啟動App之後，登入帳號或進行註冊。

(3.)終端行動裝置的螢幕上會顯示所有後續步驟，協助您將機具與終端行動裝置連線。



請先執行完整套的App教學課程。這樣您才能夠更全面性地瞭解連線程序和連線功能的使用方式。

3.8 過度放電保護裝置

本產品具有深度睡眠模式，用以防止鋰電池過度放電。這樣可避免電池過度防電。

- 過度放電保護裝置將於360分鐘後啟用。
- 若要停用過度放電保護裝置，請取出電池，然後再將它重新裝入。

3.9 配備及數量

固定機具、操作說明。

關於本產品，您可於當地www.hilti.group或網站查詢其他經過認證可搭配使用的系統產品：Hilti Store



4 技術資料

| | BX 3-22 | BX 3-L-22 | BX 3-ME-22 |
|---------------------------|-------------------------|-------------------------|-------------------------|
| 重量依據EPTA Procedure 01不含電池 | 3.5 kg | 3.5 kg | 3.4 kg |
| 鋼釘長度 (排釘) | 14 mm ... 30 mm | 14 mm ... 36 mm | 14 mm ... 24 mm |
| 鋼釘長度 (單釘) | •/• | •/• | 30 mm ... 36 mm |
| 鋼釘直徑 | 3 mm | 2.75 mm ... 3.0 mm | 3 mm |
| 釘匣容量 | 30支 | 30支 | 20支 |
| 壓縮衝程 | 12 mm | 12 mm | 12 mm |
| 觸壓 | 50 N ... 70 N | 50 N ... 70 N | 50 N ... 70 N |
| 室溫下的建議最高發釘頻率 | 每小時700支 | 每小時700支 | 每小時700支 |
| 額定電壓 | 21.6 V | 21.6 V | 21.6 V |
| 藍牙最大發射功率 [®] | 8 dBm | 8 dBm | 8 dBm |
| 藍牙頻率範圍 | 2,402 MHz ... 2,480 MHz | 2,402 MHz ... 2,480 MHz | 2,402 MHz ... 2,480 MHz |
| 貯放溫度 | -20 °C ... 70 °C | -20 °C ... 70 °C | -20 °C ... 70 °C |
| 操作時的環境溫度 | -17 °C ... 60 °C | -17 °C ... 60 °C | -17 °C ... 60 °C |

4.1 電池

| | |
|----------|------------------|
| 電池操作電壓 | 21.6 V |
| 電池重量 | 請參閱本操作說明書結尾處 |
| 操作時的環境溫度 | -17 °C ... 60 °C |
| 貯放溫度 | -20 °C ... 40 °C |
| 電池充電啟動溫度 | -10 °C ... 45 °C |

4.2 噪音資訊和震動值 (依據EN 62841)

操作說明中所提供之音壓和震動值已參照標準測量，並可用來比較不同機具之噪音。它們也可作為噪音量的初步評估。

提供之資料表示機具主要應用時之數值。若機具應用於不同之用途，搭配不同的配件工具或在保養不良的情況下，其數據會有所不同。在作業過程中，這會大幅提高其噪音量。

當機具關閉，或開啟但未進行任何作業時也應列入考量，才能準確評估噪音量。在作業過程中，這會大幅降低其噪音量。

確認其他安全措施，以保護操作員不受噪音和 / 或震動影響，例如：保養機具與其配件、操作前保持雙手溫暖、作業型式之安排等。

噪音資訊

| | | BX 3-22 | BX 3-L-22 | BX 3-ME-22 |
|------------------------------------|-----|---------|-----------|------------|
| 典型A - 加權聲功率級數 (擊釘時) (L_{WA}) | 混凝土 | 96 dB | 96 dB | 96 dB |
| | 鋼材 | 100 dB | 100 dB | 100 dB |
| 典型A - 加權音壓級數 (擊釘時) (L_{pA}) | 混凝土 | 85 dB | 85 dB | 85 dB |
| | 鋼材 | 89 dB | 89 dB | 89 dB |
| 無法判定的聲功率級數 (K_{WA} , K_{pA}) | | 3 dB | 3 dB | 3 dB |

總單軸震動數值 (z方向)

| | | BX 3-22 | BX 3-L-22 | BX 3-ME-22 |
|-------------------------------------|-----|----------------------|----------------------|----------------------|
| 帶電池B22 55時的發出震動值 (擊釘時) (a_{h1}) | 混凝土 | 2.5 m/s ² | 2.5 m/s ² | 2.5 m/s ² |
| | 鋼材 | 3.3 m/s ² | 3.3 m/s ² | 3.3 m/s ² |
| 帶電池B22 85時的發出震動值 (擊釘時) (a_{h1}) | 混凝土 | 2.9 m/s ² | 2.9 m/s ² | 2.9 m/s ² |
| | 鋼材 | 3.5 m/s ² | 3.5 m/s ² | 3.5 m/s ² |
| 無法判定 (K) | | 1.5 m/s ² | 1.5 m/s ² | 1.5 m/s ² |



5 工作場所的準備工作

警告

有受傷的風險！因意外啟動

- ▶ 置入電池前，請確認產品已關閉。
- ▶ 在調整機具或變更配件前請先將電池拆下。

請遵守本文件中與產品上的安全說明和警告。

5.1 為電池充電

1. 電池充電前，請閱讀充電器的操作手冊。
2. 確認電池的接點和充電器的接點清潔且乾燥。
3. 請使用經認可的充電器對電池充電。→ 頁次 292

5.2 置入電池

警告

有受傷的危險 因短路或電池掉落！

- ▶ 置入電池前，請確認電池的接點及產品的接點上無任何異物。
- ▶ 確認電池已確實咬合。

1. 初次使用前，請將電池完全充電。
2. 將電池推入產品中，直到聽到卡入聲。
3. 請檢查電池是否安裝牢固。

5.3 卸下電池

1. 按下電池拆卸鈕。
2. 將電池從產品卸下。

5.4 卸下固定釘導管頭

1. 將推釘器向下拉直到固定為止。
2. 卸載連發釘匣。→ 頁次 299
3. 將固定釘導管頭鎖定扣鉤朝箭頭方向盡量滑動。
 - ▶ 固定釘導管頭便會鬆開。
4. 卸下固定釘導管頭。

5.5 置入固定釘導管頭

1. 將推釘器向下拉直到固定為止。
2. 卸載連發釘匣。→ 頁次 299
3. 將固定釘導管頭鎖定扣鉤朝箭頭方向盡量滑動並加以固定。
4. 將固定釘導管頭滑入槍口中直到聽到固定聲。
5. 鬆開固定釘導管頭鎖定扣鉤。
 - ▶ 固定釘導管頭鎖定扣鉤會跳至中間位置。
6. 握住並拉動固定釘導管頭以確認其是否有確實固定。

5.6 以皮帶和支架掛鉤安全地工作

- ▶ 開始工作前，請確定皮帶掛鉤 / 支架掛鉤已確實安裝於產品上。
- ▶ 僅必要時使用皮帶掛鉤 / 支架掛鉤。若長時間未使用產品，請將其放置於安全的位置。



5.7 防墜安全裝置

警告

有受傷的危險 因工具和/或配件掉落所致！

- ▶ 請您務必使用本公司建議與本產品搭配使用的Hilti工具繫繩吊環。
- ▶ 每次使用前，應要檢查工具繫繩吊環的固定點有無損壞跡象。
- ▶ 請勿將工具繫繩吊環固定於皮帶掛鉤上。請勿透過皮帶掛鉤來提起本產品。



請您遵守各國的高處作業規範。

請僅使用Hilti工具繫繩吊環#2261970，作為本產品的防墜保護。

- ▶ 如圖所示，利用彈簧鉤將工具繫繩吊環固定在本產品上。檢查彈簧鉤扣是否確實牢固。
- ▶ 將第二個彈簧鉤固定在具支撐功能的結構上。檢查彈簧鉤扣是否確實牢固。



請遵守Hilti工具繫繩吊環的操作說明書。

5.8 連發釘匣的裝載

注意

擠壓危險！若讓推釘器可彈回，可能會造成人員受傷或造成固定機具損壞。

- ▶ 當您拉下推釘器時，確認其是否確實咬合。請勿讓推釘器彈回。
1. 將推釘器向下拉直到固定為止。
 2. 將鋼釘滑入連發釘匣中（最多3條各10支裝的釘帶）。
 3. 緊握推釘器並按下推釘器釋放機構。
 4. 將推釘器回推直到接觸到鋼釘為止。

5.9 於單固定釘模式下裝載

BX 3-ME-22

注意

擠壓危險！若讓推釘器可彈回，可能會造成人員受傷或造成固定機具損壞。

- ▶ 當您拉下推釘器時，確認其是否確實咬合。請勿讓推釘器彈回。
1. 將推釘器向下拉直到固定為止。
 2. 將連發螺釘帶拉出連發釘匣，並檢查連發釘匣是否已空。



若您以單固定釘模式使用本機具前，並未移除連發釘匣內的所有鋼釘，固定機具將會損壞。

3. 緊握推釘器並按下推釘器釋放機構。
4. 將推釘器拉回。
5. 將鋼釘插入固定釘導管頭中的凹處。另外，您也可以將認可的固定元件放在固定釘導管頭的前端。



試圖擊入固定釘時，若在固定釘導管頭中存在超過一支鋼釘，可能會造成固定機具損壞。在單一固定釘模式下操作機具時，僅可在固定釘導管頭中裝載一支鋼釘。

6. 啟用單固定釘選擇開關。
 - ▶ 單固定釘開關咬合時會發出喀啦聲。



若將推釘器下拉幾公分，便會鬆開單固定釘開關。

6 操作

請遵守本文件中與產品上的安全說明和警告。



2268213

6.1 使用支撐腳

在平坦的工作表面，支撐腳更容易垂直固定住固定機具，此時只需注意側向對齊。在不平坦的表面上需將支撐腳展開，以確保固定釘導管頭與工作面垂直。

6.1.1 收回支撐腳

1. 將支撐腳往內推，使其從咬合位置中鬆開。
2. 將支撐腳翻回原位。

6.1.2 展開支撐腳

注意

手指被夾入的危險！將支撐腳折回時，可能發生手指夾在支撐腿和機具機殼之間的危險。

- ▶ 當展開 / 收回支撐腳時請從握把握住固定機具。

1. 將支撐腳往前翻轉。
2. 從下方推支撐腳，直到在展開位置中咬合。

6.2 關閉Bluetooth功能 (選購)

- ▶ 請將固定機具用力抵住工作面10秒鐘不放。
 - ▶ 6秒鐘後會聽到彈簧元件鬆開的聲音（請再繼續按住釘槍4秒鐘）。
 - ▶ 狀態指示燈隨即閃3藍燈。
 - ▶ 可聽見三次引擎運作聲響。
 - ▶ 無法再傳輸其他資料。



如果您處於禁止使用Bluetooth的敏感環境（例如醫院），則可停用Bluetooth功能。若要重新啟動Bluetooth功能，請取出電池，然後再將它重新裝入。

6.3 開啟 / 關閉固定機具

6.3.1 啟動固定機具

警告

有受傷的危險！將固定機具的槍口抵住身體部位可能會意外觸動並擊發固定釘，而造成人員嚴重受傷。

- ▶ 請勿將機具的槍口抵住您的手或是身體的其他部位。

1. 請在使用鋼釘連發釘匣時，裝載連發釘匣。→ 頁次 297
2. 裝入電池。→ 頁次 296
 - ▶ 狀態指示燈呈綠色緩慢閃爍。



若在電池效能會下降後繼續操作固定機具，機具將會在電池單元損壞前自動關機。

3. 若要啟動固定機具，請將它用力抵住適當的工作面。
 - ▶ 固定機具的彈簧機構隨即夾緊。
 - ▶ 狀態指示燈呈綠色亮起。

6.3.2 關閉固定機具

- ▶ 卸下電池。→ 頁次 296
- ▶ 彈簧機構會聽到壓力釋放的聲音，且狀態指示燈LED會熄滅。



固定機具將於6分鐘之後發出一個引擎運作聲響，藉此提示您固定機具即將關閉電源。固定機具會在提示後隨即自動關機。

6.4 擊發鋼釘

警告

受傷危險 因固定釘穿透！

- ▶ 擊發固定釘前，請確認要作業之物體後方與下方無其他人員。



警告

因飛出零件而受傷的危險！ 擊入固定釘時， 工件飛散的碎片與釘帶飛出的零件有造成身體與眼睛受傷的危險。

- ▶ 請穿著防護配備並隨時配戴護目鏡與防護手套。周圍的其他人員亦必須佩戴護目鏡及安全帽。

警告

有受傷的危險！ 將固定機具的槍口抵住身體部位可能會意外觸動並擊發固定釘， 而造成人員嚴重受傷。

- ▶ 請勿將機具的槍口抵住您的手或是身體的其他部位。

1. 在開始工作之前， 將2枚固定釘釘入您即將作業的基材上以進行測試。
2. 請確實握住固定機具握把， 與工作面保持垂直並抵住工作面， 將固定釘導管頭儘可能推至底端。
 - ▶ 固定機具隨即啟動。
3. 按下安全扳機將鋼釘擊發。
4. 擊發固定釘後， 將固定機具自工作面完全抬起並移開。



若固定釘導管頭壓在工作面上超過6秒未擊發固定釘， 釘槍將自動切換至待機模式。只要再次將槍口抵住工作面即可重新啟動釘槍。

6.5 在連發釘匣模式下卸載下鋼釘

1. 將推釘器向下拉直到固定為止。
2. 將鋼釘從連發釘匣中向下滑出。
3. 緊握推釘器並按下推釘器釋放機構。
4. 引導推釘器回復到原來的位置。

6.6 將卡住的鋼釘鬆開

警告

有受傷及造成固定機具損壞的危險。 使用建議的Hilti原廠配件以外的不適用項目可能會造成受傷或固定機具損壞。

- ▶ 將卡住的鋼釘鬆開時， 限使用建議的衝頭組。

警告

因飛出零件而受傷的危險！ 若有外物位於固定釘導管頭附近， 或是固定釘導管頭中有卡住的固定釘， 此時擊發機具（試圖擊入固定釘）可能會造成物件或碎片飛出。

- ▶ 嚴禁以連續擊發機具的方式試圖排除釘槍的故障！



單一鋼釘可能會卡在固定釘導管頭中。 您可利用衝頭組X-NP將卡住的鋼釘從固定釘導管頭中拔出。 若要尋找配件， 請諮詢Hilti商店或前往網址www.hilti.group。

1. 卸下固定釘導管頭（參閱 → 頁次 296）。
2. 將固定釘導管頭安裝到衝頭組的支撐套環中。
3. 使用衝頭與錘子將卡住的鋼釘從固定釘導管頭中取出來。
4. 置入固定釘導管頭（參閱 → 頁次 296）。

7 維護及保養

警告

電池裝入時有受傷的危險！

- ▶ 進行維護及保養前， 請務必卸下電池！

產品保養

- 小心地清除頑強的髒污。
- 若有， 請使用乾燥的軟刷子小心地清潔通風口。
- 僅可使用微濕的軟布清潔機殼。請勿使用含矽膠的清潔或亮光劑， 因為可能會造成塑膠零件損壞。
- 請使用乾淨的乾布清潔產品的接點。



鋰電池的保養

- 通風口堵塞時請勿使用電池。請使用乾燥的軟刷子小心地清潔通風口。
- 請避免電池暴露在粉塵或髒污的環境之中。請勿讓電池接觸過高的濕氣（例如：浸入水中或淋雨）。電池若濕透，請將該電池視為已受損。請將電池隔絕在不可燃的容器內，並洽詢Hilti維修中心。
- 避免電池沾上油脂。避免讓電池上積聚粉塵或髒污。請使用乾燥的軟刷或乾淨的乾布清潔電池。請勿使用含矽膠的清潔或亮光劑，因為可能會造成塑膠零件損壞。請勿觸摸電池的觸點或從觸點上去除出廠塗敷的油脂
- 僅可使用微濕的軟布清潔機殼。請勿使用含矽膠的清潔或亮光劑，因為可能會造成塑膠零件損壞。

維護

- 定期檢查外部零件和控制元件有無損壞跡象，並確認它們運作正常。
- 如果有損壞跡象或任何零件功能故障，請不要操作本產品。請立即將產品交付Hilti維修中心進行維修。
- 清潔及保養後，裝上所有防護套或保護裝置並檢查功能是否正常。



為確保操作的安全及可靠性，請務必使用原廠Hilti備件與耗材。您可以在Hilti Store或在以下網站選購Hilti認可的備用零件、耗材和配件：www.hilti.group

7.1 清潔槍口內部

1. 卸下固定釘導管頭。→ 頁次 296
2. 清潔槍口內部。
3. 置入固定釘導管頭。→ 頁次 296

8 充電式機具和電池的運輸與存放

搬運



注意

搬運時意外啟動！

- ▶ 搬運產品時務必卸下電池！
- ▶ 卸下電池。
- ▶ 務必將機具使用安全的工具箱搬運與貯放。
- ▶ 切勿以堆疊（分散，未受到保護）的方式運送電池。運送過程中，應保護電池避免衝擊與震動並與導電物質或其他電池隔離，以免因與電池端子接觸而造成短路。請遵守您所在地當地的電池運輸規範。
- ▶ 請勿以郵寄方式遞送電池。若要運送未損壞之電池，請洽詢運送服務商。
- ▶ 每次使用前以及長途運輸前後請檢查本產品和電池是否受損。

設備的貯放



警告

瑕疵或漏液的電池所造成的意外損害！

- ▶ 存放產品時，一律不可插入電池！
- ▶ 請將本產品和電池存放在乾燥的陰涼處。請遵守技術性數據中所規定的溫度極限值。
- ▶ 請勿將電池貯放在充電器中。完成充電程序後，請將電池從充電器取出。
- ▶ 請勿將電池存放在有日光直射處、熱源上或玻璃後方。
- ▶ 請將本產品和電池存放在兒童或未授權的人員無法觸及的地點。
- ▶ 每次使用前以及長時間存放前後請檢查本產品和電池是否受損。

9 故障排除

除非另有說明，所描述的所有燈號皆以釘槍之狀態顯示器為準。發生任何故障時，請您留意電池充電狀態及故障指示燈。請參閱鋰電池指示器章節。

若您遇到未列出的問題或是無法自行排除的問題，請聯絡Hilti維修中心。

| 故障 | 可能原因 | 解決方法 |
|-----------------------|----------|-------------------------------|
| 狀態指示燈閃爍綠燈。 | 電池電力耗盡。 | ▶ 請更換電池。 |
| 彈簧元件未張緊，狀態指示燈閃爍綠燈。 | 電池電力耗盡。 | ▶ 請更換電池。 |
| 無法壓下固定釘導管頭且狀態指示燈亮起藍燈。 | 連發釘匣已耗盡。 | ▶ 請在使用鋼釘連發釘匣時，裝載連發釘匣。→ 頁次 297 |



| 故障 | 可能原因 | 解決方法 |
|--|----------------|-------------------------------|
| 無法壓下固定釘導管頭且狀態指示燈亮起綠燈。 | 推釘器卡住。 | ▶ 將釘帶從連發釘匣上卸下並清潔連發釘匣。 |
| | 鋼釘卡在固定釘導環內。 | ▶ 鬆開卡住的鋼釘。→ 頁次 299 |
| 彈簧機構重新張緊前會有一段延遲時間，此時狀態指示燈會閃爍藍燈且會同時發出一個訊號音；接著狀態指示燈會亮藍燈約6分鐘。 | 連發釘匣已耗盡。 | ▶ 請在使用鋼釘連發釘匣時，裝載連發釘匣。→ 頁次 297 |
| 彈簧元件未再張緊且狀態指示燈閃爍黃燈。 | 固定機具內部過熱。 | ▶ 讓固定機具冷卻。 |
| | 電池溫度過高。 | ▶ 讓電池冷卻。 |
| | 電池溫度過低。 | ▶ 將電池放在室溫下緩慢升溫。 |
| 彈簧元件未張緊且狀態指示燈閃爍紅燈。 | 未正確安裝固定釘導管頭。 | ▶ 置入固定釘導管頭。→ 頁次 296 |
| 彈簧元件未張緊且狀態指示燈亮紅燈。 | 系統錯誤。 | ▶ 聯絡Hilti維修中心。 |
| 彈簧元件未張緊；無狀態指示。 | 電池電力耗盡。 | ▶ 請更換電池。 |
| | 未正確安裝電池。 | ▶ 請取出電池，然後將它重新正確裝入。→ 頁次 296 |
| | 過度放電保護裝置已啟用。 | ▶ 請取出電池，然後再將它重新裝入。 |
| 固定釘導管頭在卡在壓下的狀態。 | 固定釘導管頭與槍口間有髒污。 | ▶ 清潔槍口內部。→ 頁次 300 |

10 廢棄設備處置



警告

不當的廢棄物處理可能導致人員受傷！洩漏出來的氣體或液體有害健康。

- ▶ 請勿以郵寄方式寄送電池。
- ▶ 將電池端子蓋上不導電物質（例如絕緣膠帶）以避免短路。
- ▶ 請將電池棄置於兒童無法觸及的地方。
- ▶ 請將該電池送交Hilti Store處理或洽詢權責的廢棄處理公司。

Hilti產品所採用的材料大部分均可回收再利用。材料在回收前必須正確地分類。Hilti在許多國家都有提供老舊機具回收服務。請洽詢Hilti客服中心或您在地經銷商。



- ▶ 請勿將機具、電子設備或電池當作一般家用廢棄物處理！

11 製造商保固

- ▶ 如果您對於保固條件有任何問題，請聯絡當地Hilti代理商。

Hilti Taiwan Co., Ltd.

4/F, No. 2 Jen Ai Road, Sec. 2, Taipei, 10060 Taiwan

Tel. +886 2 2357 9090

12 其他資訊

有關於操作、技術、環境和回收的更多資訊，請參訪以下連結：

連結：qr.hilti.com/manual?id=2268212&id=2268213

您也可在文件最後找到本連結的QR碼。



原版操作说明译文

1 文档信息

1.1 关于该文档

- 首次操作或使用前，请先阅读本文档。这是安全、无故障地操作和使用产品的前提条件。
- 请遵守本文档中以及产品上的安全说明和警告。
- 请务必将本操作说明与本产品保存在一起，确保将操作说明随产品一起交给他人。

1.2 所用标志的说明

1.2.1 警告

警告是为了提醒您在处理或使用此产品时会发生的危险。使用以下信号词：



危险！

- 用于让人们能够注意到会导致严重身体伤害或致命的迫近危险。



警告！

- 用于提醒人们注意可能导致严重或致命伤害的潜在危险。



小心！

- 用于提醒人们注意可能造成人身伤害、设备损坏或其他财产损失的潜在危险情况。

1.2.2 操作说明中的符号

本操作说明中使用下列符号：

| | |
|--|--------------------|
| | 遵守操作说明 |
| | 使用说明和其他有用信息 |
| | 处理可回收材料 |
| | 不得将电气设备和电池作为生活垃圾处置 |
| | Hilti 锂离子电池 |
| | Hilti 充电器 |

1.2.3 图示中的符号

图示中使用了下列符号：

| | |
|--|-----------------------------|
| | 这些编号指本操作说明开始处的相应图示。 |
| | 图示中的编号反映操作顺序，可能与文本中描述的步骤不同。 |
| | 位置编号被用于概览图中并表示产品概览段落中的图例编号。 |
| | 这些字符旨在提醒您特别注意操作本产品时的某些要点。 |

1.3 与产品相关的符号

1.3.1 产品上的符号

产品使用的符号如下：



| | |
|--------|-----------------------------------|
| | “必做事项”常规符号 |
| | 戴上护目镜 |
| | 请佩戴听力保护装置 |
| | 请佩戴安全帽 |
| | 本产品支持近场通信 (NFC) 技术, 兼容 iOS 和安卓平台。 |
| Li-Ion | 锂离子电池 |
| | 切勿将电池用作敲击工具。 |
| | 请勿让电池掉落。切勿使用受到撞击或有任何损坏的电池。 |

1.4 产品信息

HILTI 产品经设计适用于专业用户, 只有经过专门训练的授权人员才允许操作、维修和维护本产品。必须将任何可能的危险专门告知该人员。不按照说明使用或由未经培训的人员不正确地使用本产品及其辅助设备可能会带来危险。

型号名称和序列号印在铭牌上。

- ▶ 在下表中填写序列号。在联系 Hilti 维修中心或当地 Hilti 机构询问产品时, 将要求您提供产品的详细信息。

产品信息

| | |
|------|----------------------------------|
| 紧固工具 | BX 3-L-22 BX 3-ME-22 BX 3-22 |
| 分代号 | 03 |
| 序列号 | |

1.5 符合性声明

制造商全权负责声明, 此处所述及的产品符合现行法规和标准。一致性声明副本位于本文档结尾处。

技术文档在此处归档:

Hilti Entwicklungsgesellschaft mbH | Tool Certification | Hiltistrasse 6 | D-86916 Kaufering, Germany

2 安全

2.1 一般电动工具安全警告

警告 请阅读本电动工具随附的所有安全警告、说明、图示和技术规范。不遵守下列所有操作说明可能会导致电击、火灾和/或严重人身伤害。

请保存所有安全警告和操作说明, 以供将来参考。

在所有下列的警告中术语“电动工具”指市电驱动(有线)电动工具或电池驱动(无线)电动工具。

工作区域安全

- ▶ 保持工作区域清洁和良好照明。杂乱和黑暗的区域容易导致事故。
- ▶ 不要在爆炸性环境中操作电动工具, 例如有易燃液体、气体或灰尘。电动工具会产生可以点燃这些灰尘或烟雾的火花。
- ▶ 在操作电动工具时, 要令儿童和旁观者远离工作现场。万一分心, 可能会使您失去对电动工具的控制。

电气安全

- ▶ 电动工具(设备)插头必须匹配电源插座。切勿以任何方式改动插头。对于接地的电动工具(设备), 不要使用任何适配器插头。使用未经改动的插头和匹配的电源插座可以大大减少电击危险。
- ▶ 避免人体接触接地表面, 如管道、散热片和冰箱。如果您的身体接地, 则会增加电击危险。
- ▶ 不要将电动工具暴露在雨水或潮湿环境中。电动工具进水将会增加电击危险。
- ▶ 不要滥用电缆。切勿使用电缆运送、拉动或拔出电动工具。保持电缆远离高温、油、锋利边缘或运动部件。电缆损坏或缠绕会增加电击危险。
- ▶ 当在户外操作电动工具时, 应使用经认可适合户外操作的加长电缆。使用适合户外使用的电缆可减少电击危险。



- ▶ 如果在潮湿环境下操作电动工具是不可避免的，应使用剩余电流动作保护器 (RCD)。使用 RCD 可减小电击危险。

人身安全

- ▶ 保持警觉，注意您正在进行的工作，并在操作电动工具的过程中，应利用自己的判断能力。当您疲劳或受到药物、酒精或医疗影响时，请不要使用电动工具。当操作电动工具时，瞬间的分心都可能导致严重的人身伤害。
- ▶ 使用个人防护装备。一定要戴上护目装置。安全装置，诸如适当条件下使用防尘面具、防滑安全鞋、安全帽、听力防护等装置能减少人身伤害。
- ▶ 防止电动工具意外启动。在连接至电源和/或电池组、拿起或搬运电动工具之前，应确保开关处于“关闭”位置。将手指放在开关上搬运电动工具或在开关处于“打开”位置时接通电源，都可能会导致事故发生。
- ▶ 在打开电动工具之前，必须拿掉任何调整键或扳手。让扳手或调整键留在电动工具的旋转部件上可能会导致人身伤害。
- ▶ 不要操之过急。应时刻保持正确的站姿和平衡。这在意外情况下能够更好地控制电动工具。
- ▶ 应确保正确着装。不要穿着松垮的衣服或佩戴首饰。让头发和衣服远离运动部件。松垮的衣服、首饰或长发会卡在运动部件中。
- ▶ 如果提供有用于连接除尘和集尘设施的装置，应确保将它们连接好并正确使用。使用除尘装置可以减少与灰尘相关的危险。
- ▶ 经常使用工具能令您获得较高的熟练度，但不能因此掉以轻心和忽视工具安全准则。一次不慎操作就会在瞬间导致重伤。

电动工具的使用和维护

- ▶ 不要强制使用电动工具。针对您的应用场合使用正确的电动工具。正确的电动工具在其额定设计值范围内将能够更好和更安全地工作。
- ▶ 如果通过开关不能使其打开和关闭，则请不要使用电动工具。任何不能通过开关进行控制的电动工具都是危险的，必须对其进行修理。
- ▶ 在进行任何调整、更换配件或存放电动工具之前，应从电源上断开插头和/或从电动工具上拆下电池组 (若可拆卸)。此预防性安全措施可减少意外启动电动工具的危险。
- ▶ 将不用的电动工具存放在儿童拿不到的地方，并且不要让不熟悉电动工具或其操作说明的人员操作电动工具。未经培训的用户操作电动工具是危险的。
- ▶ 维护电动工具和配件。检查是否存在运动部件失调或卡滞、部件断裂和任何其它影响电动工具操作的情况。如果存在损坏，则在使用之前应修理电动工具。许多事故都是由于电动工具维护不良造成的。
- ▶ 保持切削工具锋利和清洁。带锋利切削刃的切削工具如果维护得当，很少会发生卡滞且更容易控制。
- ▶ 按照使用说明书，考虑作业条件和进行的作业来使用电动工具、附件和工具的刀头等。将电动工具用于指定用途以外的场合会导致危险。
- ▶ 使手柄和抓握面保持干燥、清洁且没有油脂。如果手柄和抓握面打滑，将无法在意外情况下安全操作或控制本工具。

无绳 (电池操作) 工具/设备的使用和维护

- ▶ 充电时只能使用制造商指定的充电器。适合某种类型电池组的充电器如果被用于为另一类型电池组充电，则可能会带来火灾危险。
- ▶ 只能使用专用电池组为电动工具供电。使用任何其它电池组可能会带来人身伤害和火灾。
- ▶ 当电池组不用时，应使其远离其它金属物体，例如纸夹、硬币、钥匙、钉子、螺钉或其它小的金属物体，以免造成短路。如果电池端子被短路，则会造成人员烧伤或火灾。
- ▶ 如果持续滥用电池，则可能会造成液体从电池中喷射出来；注意避免接触到液体。如果意外接触到液体，应用水冲洗。如果液体接触眼睛，除了用大量清水冲洗外，还应立即就医。从电池中喷射出来的液体会导致疼痛或灼伤。
- ▶ 不要使用损坏或改装过的电池组或工具。损坏或改装过的电池会造成不可预测的情形，导致火灾、爆炸或受伤风险。
- ▶ 不要将电池组或工具暴露在明火或过高的温度中。暴露在明火或超过 130 °C (265 °F) 温度中可能导致爆炸。
- ▶ 遵守所有充电说明，且不要在使用说明规定的温度范围之外对电池组或工具充电。充电不正确或在规定温度范围之外充电会损坏电池并增加火灾风险。

保养

- ▶ 将您的电动工具送交专业维修人员，使用同样的备件进行修理。这样才能确保维持电动工具 (设备) 的安全性。
- ▶ 切勿擅自维修损坏的电池组。仅可由制造商或授权服务提供商执行电池组的维修。

2.2 射钉枪安全警告

- ▶ 总是假定工具内含射钉。操作紧固工具时粗心大意会导致钉子意外射出，从而造成人身伤害。
- ▶ 不得将本工具对准自己或他人。意外扣动扳机时，钉子将被工具射出，从而可能导致伤害。



- ▶ 除非工具紧靠工件放置，否则不得扳动工具。如果工具未接触工件，射钉可能会偏离目标。
- ▶ 如果射钉卡在工具中，则断开工具电源。取出卡住的射钉时，如果插上插头以接通电源，则紧固工具可能意外启动。
- ▶ 拆除卡住的射钉时，务必小心。机构可能处于张力之下，在尝试释放卡住的钉子时，钉子可能被强力射出。
- ▶ 固定电缆时，确保电缆未通电。只能通过绝缘夹持面握持射钉工具。仅限使用专为电缆安装设计的射钉。检查并确认射钉未损坏电缆绝缘层。钉子损坏电缆绝缘层会带来触电和火灾危险。

2.3 安全说明

用户需满足的要求

- ▶ 只有经过适当培训的授权人员才能操作或维修本产品。

个人防护装备

- ▶ 使用本产品时，操作员及附近所有其他人员必须佩戴合适的护目镜、护耳装置和安全帽。

人身安全

- ▶ 请务必遵守操作说明中列出的有关操作、维护和保养的信息。
- ▶ 保持警觉，注意您正在执行的作业，并且在操作紧固工具的过程中利用自己的常识判断。当您感到疲劳或正受到毒品、酒精或药物的影响时，请勿使用本产品。当您感到疼痛或不适时请停止工作。当操作紧固工具时，瞬间的分心都可能导致严重的人身伤害。
- ▶ 请勿采用不利姿势。应确保以安全的站姿工作并一直保持身体平衡。
- ▶ 请穿防滑鞋。
- ▶ 切勿用手拉回紧固件导向装置或紧固件。
 - ▶ 在某些情况下，用手拉回射钉导向装置或紧固件可能会使本产品处于待发状态。当工具准备好发射时，射钉或活塞可能被意外射入身体部位。
- ▶ 操作本产品时，使双臂保持弯曲（不要伸直双臂）。
- ▶ 保持他人远离工作区域，特别是儿童。
- ▶ 工具和/或附件掉落会带来人身伤害的危险。开始工作前请检查电池和安装的附件是否已牢牢固定。
- ▶ 始终保持通风孔畅通。遮盖通风孔会有火灾风险！
- ▶ 不得直视电动工具中集成的光源（LED），且不得将光束对准其他人的脸部。眩晕或致盲危险。

小心操作和使用紧固工具

- ▶ 存在射钉穿透危险。射出射钉之前，先检查以确保要射入射钉的物体后方或下面没有人。
- ▶ 请根据您的作业选择正确的产品。请勿将本产品用于规定以外的目的，仅在状态完好的情况下合规使用。
- ▶ 切勿让装有钉弹的产品处于无人照看状态。
- ▶ 在清洁、维护、更换射钉导向装置之前，工间休息之前以及存放工具之前，请务必先卸载产品（取出射钉）。
- ▶ 不使用时，应将本产品卸载并存放到儿童无法接近的干燥场所并上锁。
- ▶ 检查产品和配件是否有任何损坏。检查并确认运动部件无故障、无卡滞地工作，且没有部件损坏。
 - ▶ 必须正确安装所有部件并满足产品正常工作所需的所有条件。除非操作说明中另有规定，否则，损坏的部件必须由 Hilti 维修中心适当地维修或更换。
- ▶ 开始工作之前，检查工作区域是否有隐蔽的电缆或天然气和水管。如果电缆、燃气管或水管有损坏，则产品的外部金属部件可能会导致电击或爆炸。
- ▶ 不要试图将射钉射入不适当的材料中。
 - ▶ 不适当的材料包括焊接钢和铸钢、铸铁、玻璃、大理石、塑料、青铜、黄铜、纯铜、绝缘材料、空心砖、瓷砖、薄钣金（< 4 mm）和多孔混凝土。将射钉打入这些材料中可能会导致射钉断裂、材料破裂或打穿材料。
- ▶ 仅当产品以直角完全按压在工作表面上时才可启动扳机。
- ▶ 射出射钉时，请务必垂直于工作面握住产品，以防止工作面导致射钉偏离。
- ▶ 保持把手干燥、清洁和没有油脂。
- ▶ 切勿让产品掉落。
- ▶ 不要将匣用作手柄。
- ▶ 不要在存在火灾或爆炸风险的场所使用本产品，除非本产品被特别批准用于该用途。
- ▶ 请勿将射钉射入已有的孔中，除非 Hilti 建议这么做（例如 DX-Kwik）。

机械安全规则

- ▶ 请勿擅自改动或改装本产品或其附件，特别是活塞。
- ▶ 仅可使用规定用于本产品的、经认可的射钉。



热安全规则

- ▶ 不得超过推荐的最大紧固件驱动率。
- ▶ 若产品过热，则必须让其冷却下来。
- ▶ 不要在产品温度较高时对其进行分解。使产品冷却。

2.4 小心处理和使用电池

- ▶ 请遵守以下关于安全操作和使用锂离子电动工具电池的安全提示。若未能遵守，会导致皮肤刺激、严重的腐蚀伤、化学烫伤、火灾和/或爆炸。
- ▶ 只有电池处于良好的技术状态时才能使用。
- ▶ 请小心地处理电池，以防损坏电池和避免对健康极有害的液体泄漏！
- ▶ 严禁改装或篡改电池！
- ▶ 请勿拆开、挤压或烧毁电池，不要让它们暴露在超过 80°C (176°F) 的高温下。
- ▶ 对于遭受过撞击或有其他损坏的电池，切勿使用或对其进行充电。定期检查电池是否有损坏的迹象。
- ▶ 切勿使用回收的或修理过的电池。
- ▶ 切勿将电池或电池供电的电动工具用作锤子。
- ▶ 切勿将电池暴露在直射的阳光下、高温、火花或明火中。可能会导致爆炸。
- ▶ 切勿用手指、工具、珠宝或其他导电物体接触电池极片。否则会损坏电池，造成财产损失和人身伤害。
- ▶ 确保电池远离雨水、潮气和液体。受潮会导致短路、漏电、燃烧、火灾或爆炸。
- ▶ 仅限使用经批准用于特定电池类型的充电器和电动工具。阅读并遵守相关操作说明中的规定。
- ▶ 不得在易爆环境中存放或使用电池。
- ▶ 如果电池发热烫手，则可能有故障。请将电池放在醒目且无火灾风险的地方，并与易燃物品保持足够距离。让电池自行冷却。如果一小时后电池仍然发热烫手，则表示存在故障。请联系 Hilti 维修中心或阅读文档“有关 Hilti 锂离子电池安全性和使用的提示”。

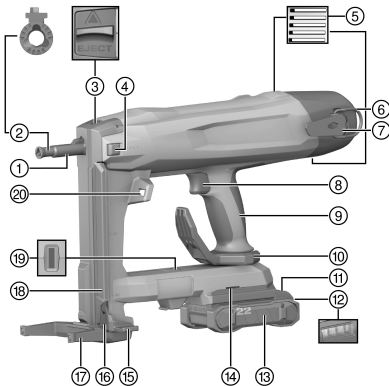


请遵守适用于锂离子电池运输、存储和使用的特殊准则。

请通过扫描该操作说明末尾的二维码来阅读有关 Hilti 锂离子电池安全性和使用的提示。

3 说明

3.1 产品概览



- ① 枪嘴
- ② 紧固件导向装置
- ③ 射钉导向装置锁扣
- ④ 单组开关 (BX 3-ME-22)
- ⑤ 通风口
- ⑥ 用于工具绳索的吊环
- ⑦ 带钩
- ⑧ 扳机
- ⑨ 把手
- ⑩ 带钩/脚手架挂钩
- ⑪ 电池解锁按钮
- ⑫ 电池状态指示器
- ⑬ 锂离子电池
- ⑭ 附件安装孔
- ⑮ 推钉器
- ⑯ 推钉器释放机构
- ⑰ 支脚
- ⑱ 弹匣
- ⑲ 紧固工具状态指示器
- ⑳ 工作区域照明灯

3.1.1 设备

射钉导向装置和支脚都与产品相关。以下表格显示支脚和产品所装备的射钉导向装置。

更多信息可查看行李厢盖内侧或访问 Hilti Store 或 www.hilti.group



| 产品 | BX 3-22 | BX 3-L-22 | BX 3-ME-22 |
|---------|---------------|---------------|---------------|
| 紧固件导向装置 | X-FG B3 IF 02 | X-FG B3 IF 02 | X-FG B3 ME |
| 支脚 | X-SL B3 03 | X-SL B3 03 | X-SL B3 ME 03 |

3.2 合规使用

本产品为手持充电式紧固工具，它设计用于将特制射钉（钉子）射入混凝土、钢材、砖石、灰砂砖和适合使用直接紧固技术的其它材料。本产品也设计用于使用适当的射钉用夹子紧固电缆。仅可将经认可的射钉搭配相应的射钉导向装置使用（参见标题为“技术数据”的章节）。

紧固工具、电池和射钉共同构成一个技术单元。这意味着只有使用专为此制造的 Hilti 射钉和 Hilti 推荐的充电器及电池，才能确保与本紧固工具顺利固定。只有遵守这些条件，Hilti 给出的紧固和应用建议才适用。

- ▶ 本紧固工具仅供手持使用。
- ▶ 严禁不当使用本紧固工具。本工具的不当使用包括将射钉射入非常软的材料（例如木材）或过硬的材料（例如高强度钢材或非常硬的天然石材）。
- 本产品只能与 Hilti Nuron B 22 系列锂离子电池搭配使用。为确保最佳功率，Hilti 建议为本产品使用该操作说明末尾表格中给出的电池。
- 此类电池仅限使用该操作说明末尾表格所规定型号系列的 Hilti 充电器充电。

3.3 安全装置

使用钉匣时，钉子检测装置可防止在未装载钉子的情况下扣动扳机，否则可能会损坏紧固工具。

接触压力安全装置用于防止钉子自由飞出（即在枪嘴未与工件接触时启动并射入钉子）。使用钉匣时，只有将钉子装载到紧固工具中后，才可将工具压在表面上并扣动扳机。

3.4 特点

本紧固工具配备人体工程学防滑吸振手柄、皮带和脚手架挂钩和支脚。电子过载保护器为紧固工具提供过载保护，温度监测器为紧固工具提供过热保护。

3.5 紧固工具状态指示器

紧固工具状态指示器提供紧固工具状态的相关信息。

| 状态 | 含义 |
|-----------------|-----------------------|
| LED 熄灭 | 紧固工具关闭。 |
| LED 亮绿灯。 | 紧固工具打开且随时可投入使用。 |
| LED 闪绿灯。 | 电池过热或电池过弱 |
| LED 每 3 秒闪一次绿灯。 | 紧固工具处于待机模式，按压枪嘴打开紧固工具 |
| LED 以蓝光亮起。 | 紧固工具打开，需要装载钉排。 |
| LED 以蓝光闪烁。 | 紧固工具打开，钉匣完全为空。 |
| LED 闪黄灯。 | 紧固工具过热，请参见“故障排除” |
| LED 闪红灯。 | 故障 - 请参见“故障排除”。 |
| LED 亮红灯。 | 故障 - 请参见“故障排除”。 |

3.6 锂离子电池指示灯

Hilti Nuron 锂离子电池可以显示电池的充电状态、出错信息和状态。

3.6.1 充电状态和出错信息的显示



人身伤害的危险！电池掉落危险！

- ▶ 在插入电池的情况下按压解锁按钮后，确保将电池重新正确锁定在所用的产品中。

请短暂按压电池的解锁按钮，以获得下列指示灯指示之一。

只要连接的产品已接通，便会持续显示充电状态和可能的故障。

| 状态 | 含义 |
|--------------------|-------------------|
| 四个 (4) LED 灯持续亮起绿光 | 充电状态：100 % 至 71 % |



| 状态 | 含义 |
|--------------------|---|
| 三个 (3) LED 灯持续亮起绿光 | 充电状态：70 % 至 51 % |
| 两个 (2) LED 灯持续亮起绿光 | 充电状态：50 % 至 26 % |
| 一个 (1) LED 灯持续亮起绿光 | 充电状态：25 % 至 10 % |
| 一个 (1) LED 灯缓慢闪绿光 | 充电状态：< 10 % |
| 一个 (1) LED 灯快速闪绿光 | 锂离子电池电量耗尽。为电池充电。 如果在为电池充电后 LED 灯始终快速闪烁，请联系 Hilti 维修中心。 |
| 一个 (1) LED 灯快速闪黄光 | 锂离子电池或与其相连的产品过载、过热、过冷或存在其他故障。 使产品和电池达到建议的工作温度，并且在使用时不要使产品过载。 如果信息仍然存在，请联系 Hilti 维修中心。 |
| 一个 (1) LED 灯亮起黄光 | 锂离子电池和连接的产品不兼容。请联系 Hilti 维修中心。 |
| 一个 (1) LED 灯快速闪红光 | 锂离子电池被锁定且无法继续使用。请联系 Hilti 维修中心。 |

3.6.2 电池状态的显示

如要检查电池状态，请按住解锁按钮三秒钟以上。系统未检测到由于掉落、刺穿、外部热损坏等错误使用而引起的电池潜在故障。

| 状态 | 含义 |
|--|---|
| 所有 LED 灯都作为运行灯亮起，接着有一个 (1) LED 灯持续亮绿光。 | 电池可以继续使用。 |
| 所有 LED 灯都作为运行灯亮起，接着有一个 (1) LED 灯快速闪黄光。 | 未能完成电池状态的查询。请重复该过程或联系 Hilti 维修中心。 |
| 所有 LED 灯都作为运行灯亮起，接着有一个 (1) LED 灯持续亮红光。 | 如果仍然可以继续使用所连接的产品，则电池剩余电量不足 50%。 如果无法再使用所连接的产品，则电池的使用寿命即将结束，应予以更换。请联系 Hilti 维修中心。 |

3.7 蓝牙® (可选)

蓝牙® 字样以及图形符号 (标志) 是 Bluetooth SIG, Inc 的注册商标和财产。该字样/图形符号的任何使用方式需经 Hilti 股份公司许可。

3.7.1 合规使用

该产品装备了蓝牙® 低能耗模块，该模块可以基于蓝牙® 无线技术检查电动工具的状态以及传输设置和数据，蓝牙是一种无线数据传输系统，两台启用蓝牙功能的设备可借此在短距离内相互通信。该产品是专为实现与移动电话和 Hilti 网关之间的通信和数据传输而研发的。该产品可以发送诸如待接收的终端设备的位置、运行时间、应用总数、间隔期间的应用数量和传输的时间戳之类的数据特征。有关所提供的连接功能的信息您可以查看相应的 Hilti 应用程序 (App) 或所使用的电动工具的操作说明。

3.7.2 通过蓝牙® 传输数据

发送间隔可能因产品的可用电源不同而有所差异。有效范围可能因外部条件 (包括所使用的接收设备) 不同而有很大差异。在密闭空间内或金属屏障 (例如墙体、货架、行李厢等) 可能导致蓝牙® 有效范围明显变小。在识别到电动工具之前，根据周围环境可能需要多个发送间隔。

如果无法识别到电动工具，请检查以下内容：

离移动终端设备的距离是否过大？

→ 缩小移动终端设备与电动工具之间的距离

3.7.3 安装和设置应用程序

为了能够使用连接功能，您必须先安装相应的 Hilti 应用程序。

(1.) 请通过相应的应用程序商店下载应用程序。





针对相应的应用程序商店需要具备用户账号。

(2.) 在首次启动应用程序后，请用您的账号进行登录或注册。

(3.) 移动终端设备的显示屏上会显示关于将电动工具与移动终端设备进行连接的所有其他步骤。



请首先完整查看应用程序的教程。由此您将对连接过程和连接功能的使用有更好的了解。

3.8 深度放电保护

该产品具备深度睡眠模式，以防锂离子电池深度放电。这可防止电池深度放电。

- 360 分钟后将激活深度放电保护。
- 如需禁用深度放电保护，请取出电池，然后再次将其装入。

3.9 供货提供的部件

紧固工具、操作说明。

经批准可以与本产品搭配使用的其他系统产品，可以在您当地的 www.hilti.group 购买或访问 **Hilti Store** 在线订购

4 技术数据

| | BX 3-22 | BX 3-L-22 | BX 3-ME-22 |
|------------------------------------|----------------------------|----------------------------|----------------------------|
| 符合 EPTA Procedure 01 要求的重量 (不包括电池) | 3.5 kg | 3.5 kg | 3.4 kg |
| 钉子长度 (排钉) | 14 mm ... 30 mm | 14 mm ... 36 mm | 14 mm ... 24 mm |
| 钉子长度 (单钉) | •/• | •/• | 30 mm ... 36 mm |
| 钉子直径 | 3 mm | 2.75 mm ... 3.0 mm | 3 mm |
| 弹匣容量 | 30 个钉子 | 30 个钉子 | 20 个钉子 |
| 压缩行程 | 12 mm | 12 mm | 12 mm |
| 接触压力 | 50 N ... 70 N | 50 N ... 70 N | 50 N ... 70 N |
| 室温下所建议的最大射出频率 | 700/h | 700/h | 700/h |
| 额定电压 | 21.6 V | 21.6 V | 21.6 V |
| Bluetooth® 最大发射功率 | 8 dBm | 8 dBm | 8 dBm |
| 蓝牙频率范围 | 2,402 MHz ... 2,480 MHz | 2,402 MHz ... 2,480 MHz | 2,402 MHz ... 2,480 MHz |
| 存放温度 | -20 °C ... 70 °C | -20 °C ... 70 °C | -20 °C ... 70 °C |
| 适合工作的环境温度 | -17 °C ... 60 °C | -17 °C ... 60 °C | -17 °C ... 60 °C |

4.1 电池

| | |
|-----------|------------------|
| 电池工作电压 | 21.6 V |
| 电池重量 | 参见操作说明结尾 |
| 适合工作的环境温度 | -17 °C ... 60 °C |
| 存放温度 | -20 °C ... 40 °C |
| 电池充电起始温度 | -10 °C ... 45 °C |

4.2 噪音信息和振动值按照 EN 62841 标准

这些说明中给出的声压和振动值按照标准化测试的要求测得，可用于比较一种电动工具与另一种电动工具。它们还可用于初步评价受振动影响的程度。

提供的数据代表本电动工具的主要应用。但是，如果将电动工具用于不同的应用、使用不同的配套工具或维护不良，则数据可能不同。这可能会显著增加操作者在整个工作期间受振动影响的程度。



对受振动影响程度的准确估计还应考虑当关闭电动工具或当它运行但实际未进行工作时情况。这可能会显著减小操作者在整个工作期间受振动影响的程度。

此外，应确定附加安全措施，以保护操作者免受噪音和/或振动影响，例如：正确维护电动工具和配套工具、保持双手温暖、制订合理的工作计划等。

噪音信息

| | | BX 3-22 | BX 3-L-22 | BX 3-ME-22 |
|------------------------------------|-----|---------|-----------|------------|
| 典型的 A 加权声功率级 (当射出钉子时) (L_{WA}) | 混凝土 | 96 dB | 96 dB | 96 dB |
| | 钢材 | 100 dB | 100 dB | 100 dB |
| 典型的 A 加权声压级 (当射出钉子时) (L_{pA}) | 混凝土 | 85 dB | 85 dB | 85 dB |
| | 钢材 | 89 dB | 89 dB | 89 dB |
| 给定声级的不确定度 (K_{WA} , K_{pA}) | | 3 dB | 3 dB | 3 dB |

总单轴振动值 (z 方向)

| | | BX 3-22 | BX 3-L-22 | BX 3-ME-22 |
|--|-----|----------------------|----------------------|----------------------|
| 使用电池 B22 55 时的振动排放值 (当射出钉子时) (a_n) | 混凝土 | 2.5 m/s ² | 2.5 m/s ² | 2.5 m/s ² |
| | 钢材 | 3.3 m/s ² | 3.3 m/s ² | 3.3 m/s ² |
| 使用电池 B22 85 时的振动排放值 (当射出钉子时) (a_n) | 混凝土 | 2.9 m/s ² | 2.9 m/s ² | 2.9 m/s ² |
| | 钢材 | 3.5 m/s ² | 3.5 m/s ² | 3.5 m/s ² |
| 不确定性 (K) | | 1.5 m/s ² | 1.5 m/s ² | 1.5 m/s ² |

5 工作现场的准备工作

-警告-

人身伤害的危险！意外启动的风险！

- ▶ 插入电池前，确保已关闭产品。
- ▶ 对电动工具执行任何调节或更换配件前，先取出电池。

请遵守本文档中以及产品上的安全说明和警告。

5.1 给电池充电

1. 为电池充电之前，请阅读充电器的操作说明。
2. 确保电池和充电器上的触点均清洁、干燥。
3. 使用认可的充电器为电池充电。→ 页码 307

5.2 插入电池

-警告-

人身伤害的危险！短路或电池掉落会带来人身伤害的危险！

- ▶ 装入电池之前，确保电池和产品上的触点上均无异物。
- ▶ 确保电池接合正确。

1. 在首次使用电池之前，要给电池完全充电。
2. 将电池推入产品，直至听到卡止声。
3. 检查并确认电池已可靠就位。

5.3 拆下电池

1. 按下电池释放按钮。
2. 从产品中取出电池。

5.4 拆卸射钉导向装置

1. 向下拉动推钉器，直到其接合。
2. 卸载钉匣。→ 页码 313
3. 沿箭头方向滑动射钉导向装置锁扣，直到滑不动为止。
 - ▶ 射钉导向装置将被释放。



4. 拆下射钉导向装置。

5.5 插入射钉导向装置

1. 向下拉动推钉器，直到其接合。
2. 卸载钉匣。→ 页码 313
3. 沿箭头方向滑动射钉导向装置锁扣，直到滑不动为止，然后将其保持在该位置。
4. 将射钉导向装置滑入枪嘴中，直到听到其接合的声音。
5. 释放射钉导向装置锁扣。
 - ▶ 射钉导向装置锁扣跳至中间位置。
6. 握住并拉动射钉导向装置，以检查并确认其可靠入位。

5.6 借助背带和脚手架挂钩安全作业

- ▶ 开始作业前，确保带钩/脚手架挂钩已牢牢连接至本产品。
- ▶ 仅在必要时使用带钩/脚手架挂钩。如果长期不使用，应将产品置于安全场所。

5.7 防坠落装置

-警告-

工具和/或附件掉落会带来人身伤害的危险！

- ▶ 请只是用为您的工具推荐的 Hilti 工具绳索。
- ▶ 在使用前请检查工具绳索的固定点有无损坏。
- ▶ 不要将工具绳索固定在带钩上。不用使用带钩起吊产品。



注意高空作业的国家法规。

仅使用 Hilti 工具挂绳 #2261970作为本产品的防坠落保护装置。

- ▶ 如图所示，通过弹簧钩将工具挂绳固定到产品上。检查弹簧钩是否已牢牢固定。
- ▶ 将第二个弹簧钩固定到支撑结构上。检查弹簧钩是否已牢牢固定。



请遵守 Hilti 工具挂绳的操作说明。

5.8 为钉匣操作装载

-小心-

压伤危险！如果让推钉器快速弹回，则会导致人员受伤并损坏紧固工具。

- ▶ 当向下拉动推钉器时，确保其牢固接合。不要让推钉器快速弹回。
1. 向下拉动推钉器，直到其接合。
 2. 将钉排滑入钉匣中（最多 3 排，每排 10 个钉子）。
 3. 紧紧握住推钉器，按下推钉器释放机构。
 4. 往回引导推钉器，直到其触碰到一颗钉子。

5.9 以单射钉模式装载

BX 3-ME-22

-小心-

压伤危险！如果让推钉器快速弹回，则会导致人员受伤并损坏紧固工具。

- ▶ 当向下拉动推钉器时，确保其牢固接合。不要让推钉器快速弹回。
1. 向下拉动推钉器，直到其接合。
 2. 使钉排从钉匣中滑出，然后检查并确认钉匣排空。



以单射钉模式使用本工具前，如果您没有从钉匣中取出所有钉子，则会损坏紧固工具。



3. 紧紧握住推钉器，按下推钉器释放机构。
4. 引导推钉器回到其初始位置。
5. 将钉子插入射钉导向装置的凹口中。或者，您随后也可将认可的射钉元件放到射钉导向装置前端。



如果试图在射钉导向装置中有超过一个钉子时射出射钉，则会损坏紧固工具。以单射钉模式操作工具时，仅将一个钉子装入射钉导向装置中。

6. 启动单射钉选择开关。
 - ▶ 单射钉开关“咔哒”一声接合。



如果将推钉器向下拉动几厘米，则单射钉开关将分离。

6 操作

请遵守本文档以及产品上的安全说明和警告。

6.1 使用支脚

在平坦的工作面上，支脚有助于更轻松地使紧固工具保持垂直，这样只须注意水平对准。在不平坦表面上，可能需要收回支脚，以确保射钉导向装置与工作面垂直。

6.1.1 收回支脚

1. 推压支脚，以使其从接合位置释放。
2. 将支脚转回至原来的位置。

6.1.2 伸出支脚



-小心-

手指挤压伤危险！ 当收回支脚时，存在手指被卷入和夹在支脚与工具壳体之间的风险。

- ▶ 伸出/收回支脚时，通过手柄握住紧固工具。

1. 向前转动支脚。
2. 从下面推压支脚，直到其接合在伸出位置。

6.2 关闭蓝牙 (选装)

- ▶ 将紧固工具压在工作表面上 10 秒钟。
 - ▶ 6 秒钟后可听到弹簧机构释放张力的声音 (请继续按压紧固工具 4 秒钟)。
 - ▶ 状态指示灯以蓝光闪烁 3 次。
 - ▶ 发出 3 次电机噪音。
 - ▶ 将无法再进行任何数据传输。



如果身处禁止使用蓝牙的敏感环境中 (例如医院)，则蓝牙会被停用。

如需再次启用蓝牙，请取出电池，然后将其重新装入。

6.3 启动/关闭紧固工具

6.3.1 打开紧固工具



-警告-

谨防受伤！ 将紧固工具的枪嘴压靠在身体部位上可能因工具意外点火并释放射钉而造成严重伤害。

- ▶ **切勿将工具的枪嘴压靠在手上或身体的任何其它部位。**

1. 在钉匣模式下装载钉匣。 → 页码 311
2. 安装电池。 → 页码 310
 - ▶ 状态指示灯以绿光缓慢闪烁。



如果在电池性能下降后继续操作紧固工具，则紧固工具将在电池单元出现损坏之前自动关闭。

3. 将紧固工具压向合适的工作表面，以将其打开。
 - ▶ 紧固工具完成紧固。
 - ▶ 状态指示灯以绿色光亮起。



6.3.2 关闭紧固工具

- ▶ 拆下电池。→ 页码 310
 - ▶ 可听到弹簧机构释放张力的声音，状态指示灯熄灭。



紧固工具在 6 分钟后发出电机噪音作为紧固工具即将关闭的提示。紧固工具在该提示后自动关闭。

6.4 射入射钉



-警告-

谨防受伤 射钉可能射穿工作面！

- ▶ 射出射钉之前，先检查以确保要射入射钉的物体后方或下面没有人。



-警告-

飞出的部件会带来伤害风险！射入射钉时，分裂的工件碎片和飞出的钉排零件可能造成人身和眼睛受伤的危险。

- ▶ 请穿戴个人防护装备，务必戴上护目镜和防护手套。附近的其他人员也必须戴上护目镜和安全帽。



-警告-

谨防受伤！将紧固工具的枪嘴压靠在身体部位上可能因工具意外点火并释放射钉而造成严重伤害。

- ▶ 切勿将工具的枪嘴压靠在手上或身体的任何其它部位。

1. 在开始作业前执行一项测试，即对您执行作业的材料射出 2 个射钉。
2. 握住紧固工具，使其与工作面垂直，然后将其压在表面上，推入射钉导向装置，直到推不动为止。
 - ▶ 打开紧固工具。
3. 通过扣动安全扳机射入钉子。
4. 射出射钉后，将紧固工具从工作面上完全抬高。



若将射钉导向装置压在工作面上超过 6 秒而未射入射钉，则紧固工具将自动切换成待机模式。只需再次将枪嘴放置到工作面上，即可唤醒紧固工具。

6.5 在钉匣模式下取出钉子

1. 向下拉动推钉器，直到其接合。
2. 将钉子从钉匣中向下滑出。
3. 紧紧握住推钉器，按下推钉器释放机构。
4. 引导推钉器回到其初始位置。

6.6 释放卡住的钉子



-警告-

存在人身伤害和紧固工具损坏风险。不使用推荐的 Hilti 原装配件而使用不适当的配件会导致人身伤害或紧固工具损坏。

- ▶ 要释放卡住的钉子，请仅使用推荐的冲头套件。



-警告-

飞出的部件会带来伤害风险！在射钉导向装置周围区域内存在异物时或在射钉卡在射钉导向装置中时扣动工具扳机（尝试射出射钉）可能导致因飞出的物体或碎片而造成人身伤害。

- ▶ 切勿尝试通过继续扣动工具扳机来排除紧固工具故障！



个别钉子可能会卡在射钉导向装置中。您可以借助冲头套件 X-NP 将卡住的钉子从射钉导向装置中取出。您可在当地的 Hilti 商店或通过 www.hilti.group 在线购买配件。

1. 拆下射钉导向装置（请参见 → 页码 310）。
2. 将射钉导向装置安装到冲头套件的支撑套中。
3. 使用冲头和锤子将卡住的钉子从射钉导向装置中敲出。
4. 插入射钉导向装置（请参见 → 页码 311）。





-警告-

插入电池时存在人身伤害危险！

- ▶ 执行维护和保养任务之前，请务必先取出电池。

工具的保养

- 请小心地清除顽固污渍。
- 用干燥的软毛刷 (若有) 小心地清洁通风槽。
- 请仅使用微湿的抹布清洁外壳。不要使用含硅清洁剂，否则可能腐蚀塑料件。
- 用干燥干净的布清洁产品触点。

锂离子电池的保养

- 切勿使用通风槽堵塞的电池。用干燥的软毛刷小心地清洁通风槽。
- 避免不必要地将电池暴露在粉尘或污垢中。切勿将电池暴露在高湿度的环境中 (例如将其浸在水中或放在雨中)。如果电池浸湿，请如处理损坏的电池那样对其进行处理。将其隔离在不可燃的容器中，然后联系 Hilti 维修中心。
- 确保电池远离外来油脂。切勿让不必要的粉尘或脏污积聚在电池上。用干燥的软毛刷或干燥干净的布清洁电池。不要使用含硅清洁剂，否则可能腐蚀塑料件。不要触摸电池触点，不要清除出厂时涂抹在触点上的油脂。
- 请仅使用微湿的抹布清洁外壳。不要使用含硅清洁剂，否则可能腐蚀塑料件。

维护

- 定期检查所有可见部件和控制器是否出现损坏迹象，确保其全部正常工作。
- 如果发现损坏迹象或如果有部件发生故障，不要操作本产品。立即将本产品交由 Hilti 维修中心修复。
- 清洁和维护之后，安装所有护板或保护装置，检查并确认其正常工作。



为确保安全和可靠的操作，仅限使用 Hilti 原装备件和消耗品。经 Hilti 许可可与产品搭配使用的备件、消耗品和配件可到您当地的 **Hilti Store** 购买或访问：www.hilti.group

7.1 清洁枪嘴内部

1. 拆下射钉导向装置。→ 页码 310
2. 清洁枪嘴内部。
3. 插入射钉导向装置。→ 页码 311

8 电池型工具和电池的运输及存储

运输



-小心-

运输途中的意外启动！

- ▶ 运输产品前务必将电池取出！

- ▶ 拆下电池。
- ▶ 请始终在安全的工具箱内运输和存放本工具。
- ▶ 切勿松散、未加保护地运输大批量电池。运输过程中，应保护电池免受过度冲击或振动的影响，并将其与导电材料或其它电池分开存放 (因为它们可能会接触到电池端子并导致短路)。请遵守当地的电池运输规定。
- ▶ 请勿以邮寄方式运送电池。有关如何运送完好电池的说明，请咨询您的发货商。
- ▶ 每次使用前以及长时间运输前后都要检查产品和电池是否损坏。

存放



-警告-

故障或泄漏的电池会导致意外损坏！

- ▶ 仅可在未插入电池的情况下存放产品！
- ▶ 将产品和电池存放于凉爽干燥的地方。请遵守技术数据中规定的温度极限值。
- ▶ 请勿将电池存放在充电器中。充电过程结束后请始终将电池从充电器中取出。
- ▶ 切勿将电池存放在阳光直射的位置、热源上或玻璃后。



- ▶ 请将本产品 and 电池存放在儿童或非授权人员无法接近的位置。
- ▶ 每次使用前以及长时间存放前后都要检查产品和电池是否损坏。

9 故障排除

除非另有说明，所描述的所有指示灯信号均以紧固工具的状态显示为准。出现任何故障时，都应注意电池充电状态和故障指示灯。参见**锂离子电池指示灯**一章。

如果您碰到的问题未在此表中列出或您无法自行实施补救措施，请联系 **Hilti** 维修中心。

| 故障 | 可能原因 | 解决方案 |
|--|------------------|------------------------------|
| 状态指示灯以绿光闪烁。 | 电池电量耗尽。 | ▶ 更换电池。 |
| 弹簧元件未张紧，状态指示灯以绿光闪烁。 | 电池电量耗尽。 | ▶ 更换电池。 |
| 射钉导向装置无法压入，状态指示灯以蓝光亮起。 | 钉匣为空。 | ▶ 在钉匣模式下装载钉匣。 → 页码 311 |
| 射钉导向装置无法压入，状态指示灯以绿光亮起。 | 推钉器卡住。 | ▶ 从钉匣中取出钉排，然后清洁钉匣。 |
| | 钉子卡在射钉导向装置中。 | ▶ 释放卡住的钉子。→ 页码 313 |
| 弹簧机构张紧前有一段延时，此时状态指示灯以蓝光闪烁，同时发出一种信号音；状态指示灯随后以蓝光亮起 6 分钟。 | 钉匣为空。 | ▶ 在钉匣模式下装载钉匣。 → 页码 311 |
| 弹簧元件未再次张紧，状态指示灯以黄光闪烁。 | 紧固工具过热。 | ▶ 使紧固工具冷却下来。 |
| | 电池温度过高。 | ▶ 让电池自行冷却。 |
| | 电池温度过低。 | ▶ 允许电池缓慢加热到室温。 |
| 弹簧元件未张紧，状态指示灯以红光闪烁。 | 射钉导向装置安装不正确。 | ▶ 插入射钉导向装置。→ 页码 311 |
| 弹簧元件未张紧，状态指示灯以红光亮起。 | 系统故障。 | ▶ 联系 Hilti 维修中心。 |
| 弹簧元件未张紧；无状态指示。 | 电池电量耗尽。 | ▶ 更换电池。 |
| | 电池安装不正确。 | ▶ 取出电池，然后将其正确装入。 → 页码 310 |
| | 深度放电保护已激活。 | ▶ 取出电池，然后再次将其装入。 |
| 射钉导向装置卡在压入状态。 | 射钉导向装置与枪嘴之间存在污垢。 | ▶ 清洁枪嘴内部。→ 页码 314 |

10 废弃处置



-警告-

废弃处理不当会有人身伤害的危险！漏出的气体或液体会带来健康危害。

- ▶ 不得通过邮寄方式发送任何电池。
- ▶ 用非导电材料（比如绝缘带）包住端子，以防止短路。
- ▶ 在儿童接触不到的地方处置电池。
- ▶ 请将电池送交 **Hilti Store** 处置，或咨询当地的废弃处理机构以获取处置说明。

制造 **Hilti** 产品所用的大部分材料都可回收利用。在可以回收之前，必须正确分离材料。**Hilti** 在很多国家都提供旧工具回收服务。请咨询 **Hilti** 客户服务部门或您的销售顾问。



- ▶ 不得将电动工具、电子设备或电池作为生活垃圾处置！

11 制造商保修

- ▶ 如对保修条件有任何疑问，请联系您当地的 **Hilti** 代表。



关于操作、技术、环保和回收的更多信息请查看以下链接：qr.hilti.com/manual?id=2268212&id=2268213
文档末尾也提供二维码链接。



CE Declaration of Conformity | UK Declaration of Conformity



Manufacturer:
Hilti Corporation
Feldkircherstraße 100
9494 Schaan | Liechtenstein

Importer:
Hilti (Gt. Britain) Limited
1 Trafford Wharf Road, Old Trafford
Manchester, M17 1BY

BX 3-22, BX 3-L-22, BX 3-ME-22 (03)

Serial Numbers: 1-9999999999

2006/42/EC | Supply of Machinery (Safety)
Regulations 2008

EN 60745-1:2009
+A11:2010

EN 301 489-1 V2.2.3

2014/30/EU | Electromagnetic Compatibility
Regulations 2016

EN 60745-2-16:2010

EN 301 489-17 V3.2.2

EN 300 328 V 2.1.1

2011/65/EU | The Restriction of the Use of
Certain Hazardous Substances in Electrical and
Electronic Equipment Regulations 2012

Mario Grazioli
Head of Quality Management
Business Unit Direct Fastening

Schaan, 16.06.2021

Dr. Lars Taenzer
Head of BU Direct Fastening
Business Unit Direct Fastening



 **NURON**



| | | |
|---------------------|---------|---------|
| B 22-55 (01) | 0,56 kg | 1.23 lb |
| B 22-85 (01) | 0,77 kg | 1.70 lb |

| |
|---------------|
| C 4-22 |
| C 6-22 |
| C 8-22 |



Hilti Corporation
LI-9494 Schaan
Tel.:+423 234 21 11
Fax:+423 234 29 65
www.hilti.group



2268213