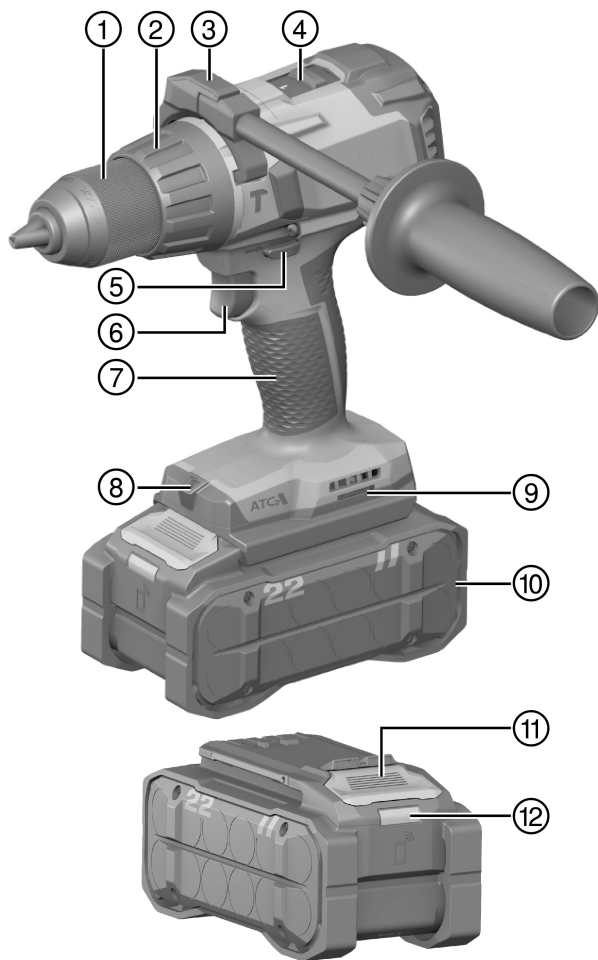


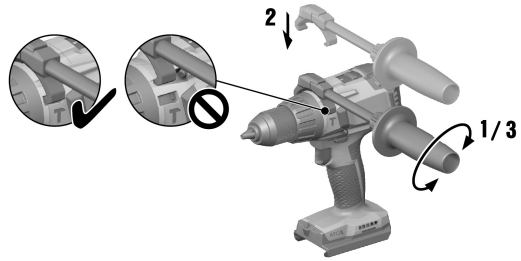


SF 6-22  
SF 6H-22  
NURON

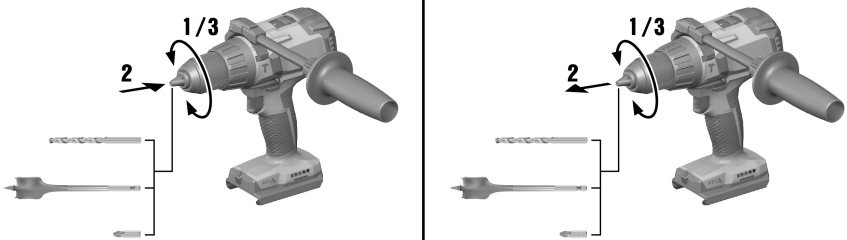
|            |     |
|------------|-----|
| English    | 1   |
| Srpski     | 13  |
| Русский    | 25  |
| Українська | 40  |
| Қазақ      | 55  |
| Български  | 69  |
| Română     | 82  |
| Ελληνικά   | 95  |
| Türkçe     | 109 |
| عربي       | 122 |
| 日本語        | 136 |
| 한국어        | 148 |
| 繁體中文       | 160 |
| 中文         | 170 |



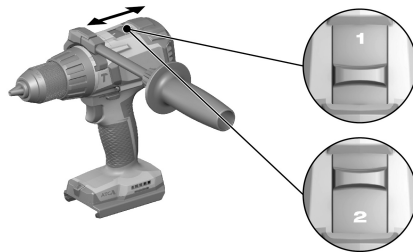
2



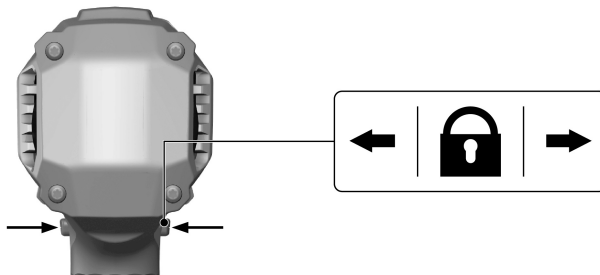
3

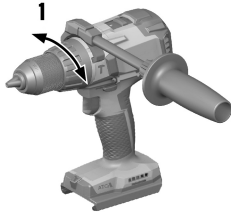


4



5





1 - 15



# SF 6-22

# SF 6H-22

|    |   |     |
|----|---|-----|
| en | Original operating instructions . . . . .                   | 1   |
| sr | Originalno uputstvo za upotrebu . . . . .                   | 13  |
| ru | Перевод оригинального руководства по эксплуатации . . . . . | 25  |
| uk | Оригінальна інструкція з експлуатації . . . . .             | 40  |
| kk | Түпнұсқа пайдалану бойынша нұсқаулық . . . . .              | 55  |
| bg | Оригинално Ръководство за експлоатация . . . . .            | 69  |
| ro | Manual de utilizare original . . . . .                      | 82  |
| el | Πρωτότυπος οδηγός χρήσης . . . . .                          | 95  |
| tr | Orijinal kullanım kılavuzu . . . . .                        | 109 |
| ar | دليل الاستعمال الأصلي . . . . .                             | 122 |
| ja | オリジナル取扱説明書 . . . . .  | 136 |
| ko | 오리지널 사용 설명서 . . . . .                                       | 148 |
| zh | 原始操作說明 . . . . .  | 160 |
| cn | 原版操作说明 . . . . .  | 170 |



# Original operating instructions

## 1 Information about the documentation

### 1.1 About this documentation

- Read this documentation before initial operation or use. This is a prerequisite for safe, trouble-free handling and use of the product.
- Observe the safety instructions and warnings in this documentation and on the product.
- Always keep the operating instructions with the product and make sure that the operating instructions are with the product when it is given to other persons.

### 1.2 Explanation of symbols

#### 1.2.1 Warnings

Warnings alert persons to hazards that occur when handling or using the product. The following signal words are used:

#### DANGER

##### DANGER !

- ▶ Draws attention to imminent danger that will lead to serious personal injury or fatality.

#### WARNING

##### WARNING !

- ▶ Draws attention to a potential threat of danger that can lead to serious injury or fatality.

#### CAUTION

##### CAUTION !

- ▶ Draws attention to a potentially dangerous situation that could lead to personal injury or damage to the equipment or other property.

#### 1.2.2 Symbols in the operating instructions

The following symbols are used in these operating instructions:

|  |   |
|--|---|
|  | Comply with the operating instructions                                |
|  | Instructions for use and other useful information                     |
|  | Dealing with recyclable materials                                     |
|  | Do not dispose of electric equipment and batteries as household waste |
|  | <b>Hilti</b> Li-ion battery   |
|  | <b>Hilti</b> charger  |

#### 1.2.3 Symbols in illustrations

The following symbols are used in illustrations:

|  |  |
|--|--|
|  | These numbers refer to the illustrations at the beginning of these operating instructions.   |
|  | The numbering reflects the sequence of operations shown in the illustrations and may deviate from the steps described in the text.                   |
|  | Item reference numbers are used in the <b>overview illustration</b> and refer to the numbers used in the key in the <b>product overview</b> section. |
|  | These characters are intended to specifically draw your attention to certain points when handling the product.                                       |



### 1.3 Product-dependent symbols

#### 1.3.1 Additional symbols

The following symbols can be used additionally in this documentation or on the product:

|               |   |
|---------------|---|
|               | Drilling without hammer action  |
|               | Drilling with hammer action (hammer drilling)   |
| $n_0$         | Rated speed under no load   |
| /min          | Revolutions per minute  |
| $\varnothing$ | Diameter  |
|               | Forward / reverse   |
|               | Direct current (DC)   |
| Li-ion        | Li-ion battery  |
|               | The product supports near-field communication (NFC) technology compatible with iOS and Android platforms. |
|               | Never use the battery as a striking tool.   |
|               | Do not drop the battery. Never use a battery that has suffered an impact or is damaged in any other way.  |

### 1.4 Product information

products are designed for professional users and only trained, authorized personnel are permitted to operate, service and maintain the products. This personnel must be specifically informed about the possible hazards. The product and its ancillary equipment can present hazards if used incorrectly by untrained personnel or if used not in accordance with the intended use.

The type designation and serial number are printed on the rating plate.

- ▶ Write down the serial number in the table below. You will be required to state the product details when contacting Hilti Service or your local Hilti organization to inquire about the product.

#### Product information

|  |                    |
|--|--------------------|
| Drill / driver   hammer drill / driver | SF 6-22   SF 6H-22 |
| Generation                             | 03                 |
| Serial no.                             |                    |

### 1.5 Declaration of conformity

The manufacturer declares, on his sole responsibility, that the product described here complies with the applicable legislation and standards. A copy of the declaration of conformity can be found at the end of this documentation.

The technical documentation is filed here:

Hilti Entwicklungsgesellschaft mbH | Tool Certification | Hiltistrasse 6 | D-86916 Kaufering, Germany

## 2 Safety

### 2.1 General power tool safety warnings

**⚠ WARNING Read all safety warnings, instructions, illustrations and specifications provided with this power tool.** Failure to follow all instructions listed below may result in electric shock, fire and/or serious injury. **Save all warnings and instructions for future reference.**

The term "power tool" in the warnings refers to your mains-operated (corded) power tool or battery-operated (cordless) power tool.





### Work area safety

- ▶ **Keep work area clean and well lit.** Cluttered or dark areas invite accidents.
- ▶ **Do not operate power tools in explosive atmospheres, such as in the presence of flammable liquids, gases or dust.** Power tools create sparks which may ignite the dust or fumes.
- ▶ **Keep children and bystanders away while operating a power tool.** Distractions can cause you to lose control.

### Electrical safety

- ▶ **Power tool plugs must match the outlet. Never modify the plug in any way. Do not use any adapter plugs with earthed (grounded) power tools.** Unmodified plugs and matching outlets will reduce risk of electric shock.
- ▶ **Avoid body contact with earthed or grounded surfaces, such as pipes, radiators, ranges and refrigerators.** There is an increased risk of electric shock if your body is earthed or grounded.
- ▶ **Do not expose power tools to rain or wet conditions.** Water entering a power tool will increase the risk of electric shock.
- ▶ **Do not abuse the cord. Never use the cord for carrying, pulling or unplugging the power tool. Keep cord away from heat, oil, sharp edges or moving parts.** Damaged or entangled cords increase the risk of electric shock.
- ▶ **When operating a power tool outdoors, use an extension cord suitable for outdoor use.** Use of a cord suitable for outdoor use reduces the risk of electric shock.
- ▶ **If operating a power tool in a damp location is unavoidable, use a residual current device (RCD) protected supply.** Use of an RCD reduces the risk of electric shock.

### Personal safety

- ▶ **Stay alert, watch what you are doing and use common sense when operating a power tool. Do not use a power tool while you are tired or under the influence of drugs, alcohol or medication.** A moment of inattention while operating power tools may result in serious personal injury.
- ▶ **Use personal protective equipment. Always wear eye protection.** Protective equipment such as a dust mask, non-skid safety shoes, hard hat or hearing protection used for appropriate conditions will reduce personal injuries.
- ▶ **Prevent unintentional starting. Ensure the switch is in the off-position before connecting to power source and/or battery pack, picking up or carrying the tool.** Carrying power tools with your finger on the switch or energising power tools that have the switch on invites accidents.
- ▶ **Remove any adjusting key or wrench before turning the power tool on.** A wrench or a key left attached to a rotating part of the power tool may result in personal injury.
- ▶ **Do not overreach. Keep proper footing and balance at all times.** This enables better control of the power tool in unexpected situations.
- ▶ **Dress properly. Do not wear loose clothing or jewellery. Keep your hair and clothing away from moving parts.** Loose clothes, jewellery or long hair can be caught in moving parts.
- ▶ **If devices are provided for the connection of dust extraction and collection facilities, ensure these are connected and properly used.** Use of dust collection can reduce dust-related hazards.
- ▶ **Do not let familiarity gained from frequent use of tools allow you to become complacent and ignore tool safety principles.** A careless action can cause severe injury within a fraction of a second.

### Power tool use and care

- ▶ **Do not force the power tool. Use the correct power tool for your application.** The correct power tool will do the job better and safer at the rate for which it was designed.
- ▶ **Do not use the power tool if the switch does not turn it on and off.** Any power tool that cannot be controlled with the switch is dangerous and must be repaired.
- ▶ **Disconnect the plug from the power source and/or remove the battery pack, if detachable, from the power tool before making any adjustments, changing accessories, or storing power tools.** Such preventive safety measures reduce the risk of starting the power tool accidentally.
- ▶ **Store idle power tools out of the reach of children and do not allow persons unfamiliar with the power tool or these instructions to operate the power tool.** Power tools are dangerous in the hands of untrained users.
- ▶ **Maintain power tools and accessories. Check for misalignment or binding of moving parts, breakage of parts and any other condition that may affect the power tool's operation. If damaged, have the power tool repaired before use.** Many accidents are caused by poorly maintained power tools.
- ▶ **Keep cutting tools sharp and clean.** Properly maintained cutting tools with sharp cutting edges are less likely to bind and are easier to control.



- ▶ **Use the power tool, accessories and tool bits etc. in accordance with these instructions, taking into account the working conditions and the work to be performed.** Use of the power tool for operations different from those intended could result in a hazardous situation.
- ▶ **Keep handles and grasping surfaces dry, clean and free from oil and grease.** Slippery handles and grasping surfaces do not allow for safe handling and control of the tool in unexpected situations.

#### **Battery tool use and care**

- ▶ **Recharge only with the charger specified by the manufacturer.** A charger that is suitable for one type of battery pack may create a risk of fire when used with another battery pack.
- ▶ **Use power tools only with specifically designated battery packs.** Use of any other battery packs may create a risk of injury and fire.
- ▶ **When battery pack is not in use, keep it away from other metal objects, like paper clips, coins, keys, nails, screws or other small metal objects, that can make a connection from one terminal to another.** Shorting the battery terminals together may cause burns or a fire.
- ▶ **Under abusive conditions, liquid may be ejected from the battery; avoid contact. If contact accidentally occurs, flush with water. If liquid contacts eyes, additionally seek medical help.** Liquid ejected from the battery may cause irritation or burns.
- ▶ **Do not use a battery pack or tool that is damaged or modified.** Damaged or modified batteries may exhibit unpredictable behaviour resulting in fire, explosion or risk of injury.
- ▶ **Do not expose a battery pack or tool to fire or excessive temperature.** Exposure to fire or temperature above 130° C (265 °F) may cause explosion.
- ▶ **Follow all charging instructions and do not charge the battery pack or tool outside the temperature range specified in the instructions.** Charging improperly or at temperatures outside the specified range may damage the battery and increase the risk of fire.

#### **Service**

- ▶ **Have your power tool serviced by a qualified repair person using only identical replacement parts.** This will ensure that the safety of the power tool is maintained.
- ▶ **Never service damaged battery packs.** Service of battery packs should only be performed by the manufacturer or authorized service providers.

## **2.2 Drill safety warnings**

### **Safety instructions for all operations**

- ▶ **Wear ear protectors when impact drilling.** Exposure to noise can cause hearing loss.
- ▶ **Use the auxiliary handle(s).** Loss of control can cause personal injury.
- ▶ **Hold the power tool by insulated gripping surfaces, when performing an operation where the cutting accessory or fasteners may contact hidden wiring.** Cutting accessory or fasteners contacting a "live" wire may make exposed metal parts of the power tool "live" and could give the operator an electric shock.

### **Safety instructions when using long drill bits**

- ▶ **Never operate at higher speed than the maximum speed rating of the drill bit.** At higher speeds, the bit is likely to bend if allowed to rotate freely without contacting the workpiece, resulting in personal injury.
- ▶ **Always start drilling at low speed and with the bit tip in contact with the workpiece.** At higher speeds, the bit is likely to bend if allowed to rotate freely without contacting the workpiece, resulting in personal injury.
- ▶ **Apply pressure only in direct line with the bit and do not apply excessive pressure.** Bits can bend causing breakage or loss of control, resulting in personal injury.

## **2.3 Additional safety precautions for screwdrivers**

- ▶ Use the product and accessories only when they are in perfect working order.
- ▶ Never tamper with or modify the product or accessories in any way.
- ▶ Before beginning work, check the working area for concealed electric cables or gas and water pipes. External metal parts of the product could give you an electric shock or cause an explosion if you accidentally damage an electric cable or a gas or water pipe.



- ▶ Dust produced by grinding, sanding, cutting and drilling can contain dangerous chemicals. Some examples are: lead or lead-based paints; brick, concrete and other masonry products, natural stone and other products containing silicates; certain types of wood, such as oak, beech and chemically treated wood; asbestos or materials that contain asbestos. Determine the exposure of the operator and bystanders by means of the hazard classification of the materials to be worked. Implement the necessary measures to restrict exposure to a safe level, for example by the use of a dust collection system or by the wearing of suitable respiratory protection. The general measures for reducing exposure include:
  - ▶ working in an area that is well ventilated,
  - ▶ avoidance of prolonged contact with dust,
  - ▶ directing dust away from the face and body,
  - ▶ wearing protective clothing and washing exposed areas of the skin with water and soap.
- ▶ Risk of injury by falling tools and/or accessories. Before starting work, check that the battery and installed accessories are secure.
- ▶ If the work involves breaking right through, take the appropriate safety measures on the opposite side. Parts breaking away could fall out and / or fall down and injure other persons.
  - ▶ The product can affect your balance when wall break-through occurs suddenly. Make sure you have a firm footing and keep your balance when you do break-through work on walls or ceilings.
- ▶ Do not use blunted bits.
- ▶ Use auxiliary grips supplied with the product. Loss of control can cause personal injury. Make sure that the auxiliary grip is firmly seated and securely installed.
- ▶ Switch the product on only after you have brought it to the working position.
- ▶ Always hold the tool with both hands on the grips provided. Keep the grips clean and dry.
- ▶ Keep the air vents clear at all times. Risk of burn injuries due to blocked air vents!
- ▶ Do not touch rotating parts – risk of injury!
- ▶ Wear eye protection, a hard hat and ear protection and suitable respiratory protection while the product is in use.
- ▶ Wear eye protection. Flying fragments can injure the body and eyes.
- ▶ Do not look directly into the light source (LED) of the product and do not aim the beam at other persons' faces. Risk of dazzling or eye damage.
- ▶ Take frequent breaks and do physical exercises to improve the blood circulation in your fingers. High vibration during long periods of work can lead to disorders of the blood vessels and nervous system in the fingers, hands and wrists.
- ▶ Wait until the product has come to a complete stop before you lay it down.
- ▶ Wear protective gloves when changing the accessory tool. Touching the accessory tool can result in cuts and burns.

## 2.4 Battery use and care

- ▶ **Comply with the following safety instructions for the safe handling and use of Li-ion batteries.** Failure to comply can lead to skin irritation, severe corrosive injury, chemical burns, fire and/or explosion.
- ▶ Use only batteries that are in perfect working order.
- ▶ Treat batteries with care in order to avoid damage and prevent leakage of fluids that are extremely harmful to health!
- ▶ Do not under any circumstances modify or tamper with batteries!
- ▶ Do not disassemble, crush or incinerate batteries and do not subject them to temperatures over 80 °C (176 °F).
- ▶ Never use or charge a battery that has suffered an impact or been damaged in any other way. Check your batteries regularly for signs of damage.
- ▶ Never use recycled or repaired batteries.
- ▶ Never use the battery or a battery-operated power tool as a striking tool.
- ▶ Never expose batteries to the direct rays of the sun, elevated temperature, sparking, or open flame. This can lead to explosions.
- ▶ Do not touch the battery poles with your fingers, tools, jewelry, or other electrically conductive objects. This can damage the battery and also cause material damage and personal injury.
- ▶ Keep batteries away from rain, moisture and liquids. Penetrating moisture can cause short circuits, electric shock, burns, fire and explosions.
- ▶ Use only chargers and power tools approved for the specific battery type. Read and follow the relevant operating instructions.
- ▶ Do not use or store the battery in explosive environments.



- If the battery is too hot to touch, it may be defective. Put the battery in a place where it is clearly visible and where there is no risk of fire, at an adequate distance from flammable materials. Allow the battery to cool down. If it is still too hot to touch after an hour, the battery is faulty. Consult **Hilti** Service or read the document entitled "Instructions on safety and use for **Hilti** Li-ion batteries".

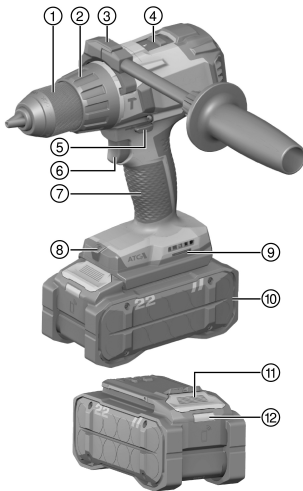


Observe the special guidelines applicable to the transport, storage and use of lithium-ion batteries.  
→ page 11

Read the instructions on safety and use of **Hilti** Li-ion batteries that you can access by scanning the QR code at the end of these operating instructions.

### 3 Description

#### 3.1 Product overview



- ① Keyless chuck
- ② Torque and operating mode selector ring
- ③ Side handle
- ④ Gear selector switch
- ⑤ Forward/reverse switch with transport lock
- ⑥ Control switch with electronic speed control
- ⑦ Grip
- ⑧ Work-area light (LED)
- ⑨ Installation opening for accessories
- ⑩ Battery
- ⑪ Release button, battery
- ⑫ Battery status indicator

#### 3.2 Intended use

The product described is a hand-held cordless drill/driver. It is designed for drilling in steel, wood, plastic, cellular concrete and masonry and for driving and removing screws.

- For this product, use only **Hilti** Nuron lithium-ion batteries of the B 22 series. For optimum performance, **Hilti** recommends the batteries stated in the table at the end of these operating instructions for this product.
- For these batteries, use only **Hilti** chargers of the type series stated in the table at the end of these operating instructions.

#### 3.3 ATC

The product is equipped with the ATC (Active Torque Control) quick-acting electronic cut-out.

If the accessory tool sticks or stalls, the product will suddenly pivot about its own axis in the opposite direction. ATC detects this sudden pivoting movement of the product and switches the product off immediately.



For ATC to function correctly, the product must be free to pivot.

After an ATC cut-out, switch the product off and then on again.

#### 3.4 Overload and overheating indicator

The product has an electronic system to protect against overload and overheating. The product switches off automatically in the event of overload or overheating. The product might not restart immediately when the control switch is pressed after being released (cooling phase).



### 3.5 Status indicators of the Li-ion battery

Hilti Nuron Li-ion batteries can indicate state of charge, fault messages and the battery's state of health.

#### 3.5.1 Indicators for state of charge and fault messages



#### WARNING

##### Risk of injury by a falling battery!

- ▶ If the release button is pressed with a battery inserted in the product, subsequently check that the battery is correctly re-engaged and secure.

Short-press the release button of the battery to get whichever of the following status indications is applicable at the time.

State of charge and, if applicable, faults are indicated constantly as long as the connected product is switched on.

| Status                               | Meaning   |
|--------------------------------------|---|
| Four (4) LEDs show constantly green  | State of charge: 100 % to 71 %  |
| Three (3) LEDs show constantly green | State of charge: 70 % to 51 %   |
| Two (2) LEDs show constantly green   | State of charge: 50 % to 26 %   |
| One (1) LED shows constantly green   | State of charge: 25 % to 10 %   |
| One (1) LED slow-flashes green       | State of charge: < 10 %   |
| One (1) LED quick-flashes green      | The Li-ion battery is completely discharged. Recharge the battery.<br>If the LED again starts quick-flashing after the battery has been charged, consult <b>Hilti Service</b> .   |
| One (1) LED quick-flashes yellow     | The Li-ion battery or the product in which it is inserted is overloaded, too hot or too cold, or experiencing some other fault.<br>Bring the product and the battery to the recommended working temperature and do not overload the product when it is in use.<br>If the message persists, consult <b>Hilti Service</b> . |
| One (1) LED shows yellow             | The Li-ion battery and the product in which it is inserted are not compatible. Consult <b>Hilti Service</b> .   |
| One (1) LED quick-flashes red        | The Li-ion battery is locked and cannot be used. Consult <b>Hilti Service</b> .   |

#### 3.5.2 Indicators showing the battery's state of health

To check the battery's state of health, press the release button and hold it down for longer than three seconds. The system does not detect a potential malfunction of the battery due to misuse, for example battery dropped or pierced, external heat damage, etc.

| Status   | Meaning  |
|--|--|
| All LEDs show in sequence, followed by one (1) LED showing constantly green. | The battery can remain in use.   |
| All LEDs show in sequence, followed by one (1) LED quick-flashing yellow.    | The check to ascertain the battery's state of health did not complete. Repeat the procedure, or consult <b>Hilti Service</b> .   |
| All LEDs show in sequence, followed by one (1) LED showing constantly red.   | If a connected product can still be used, the remaining battery capacity is below 50 %.<br>If a connected product can no longer be used, the battery has reached the end of its useful life and has to be replaced. Consult <b>Hilti Service</b> . |

### 3.6 Items supplied

Drill / driver, side handle, operating instructions.



## 4 Technical data

|   |                 | SF 6-22               | SF 6H-22              |
|---|-----------------|-----------------------|-----------------------|
| <b>Rated voltage</b>  |                 | 21.6 V <sub>DC</sub>  | 21.6 V <sub>DC</sub>  |
| <b>Weight in accordance with EPTA Procedure 01, without battery</b> |                 | 2.0 kg                | 2.0 kg                |
| <b>Speed</b>  | <b>1st gear</b> | 0 /min ... 490 /min   | 0 /min ... 490 /min   |
|   | <b>2nd gear</b> | 0 /min ... 2,000 /min | 0 /min ... 2,000 /min |
| <b>Torque (soft joint) <math>\ddagger</math></b>                    |                 | ≤ 65 Nm               | ≤ 65 Nm               |
| <b>Impact speed</b>   |                 | */*                   | 36,000 /min           |
| <b>Ambient temperature for operation</b>                            |                 | -17 °C ... 60 °C      | -17 °C ... 60 °C      |
| <b>Storage temperature</b>  |                 | -20 °C ... 70 °C      | -20 °C ... 70 °C      |

### 4.1 Battery

|  |   |
|--|---|
| <b>Battery operating voltage</b>             | 21.6 V                                      |
| <b>Weight, battery</b>                       | See the end of these operating instructions |
| <b>Ambient temperature for operation</b>     | -17 °C ... 60 °C                            |
| <b>Storage temperature</b>                   | -20 °C ... 40 °C                            |
| <b>Battery charging starting temperature</b> | -10 °C ... 45 °C                            |

### 4.2 Accessory tools – permissible diameters

|  | SF 6-22          | SF 6H-22         |
|--|------------------|------------------|
| <b>Ø range of keyless chuck</b>                                | 1.5 mm ... 13 mm | 1.5 mm ... 13 mm |
| <b>Ø wood drill bits (hardwood)</b>                            | 1.5 mm ... 20 mm | 1.5 mm ... 20 mm |
| <b>Ø wood drill bits (softwood)</b>                            | 1.5 mm ... 32 mm | 1.5 mm ... 32 mm |
| <b>Ø drill bits for metal</b>                                  | 1.5 mm ... 13 mm | 1.5 mm ... 13 mm |
| <b>Ø drilling in concrete/masonry (hammer-action drilling)</b> | */*              | 4 mm ... 12 mm   |

### 4.3 Noise information and vibration values in accordance with EN 62841

The sound pressure and vibration values given in these instructions were measured in accordance with a standardized test and can be used to compare one power tool with another. They can also be used for a preliminary assessment of exposure.

The data given represent the main applications of the power tool. However, if the power tool is used for different applications, with different accessory tools, or is poorly maintained, the data can vary. This can significantly increase exposure over the total working period.

An accurate estimation of exposure should also take into account the times when the tool is switched off, or when it is running but not actually being used for a job. This can significantly reduce exposure over the total working period.

Identify additional safety measures to protect the operator from the effects of noise and/or vibration, for example: maintaining the power tool and accessory tools, keeping the hands warm, organization of work patterns.

#### Noise emission values

|  | SF 6-22    | SF 6H-22   |
|--|------------|------------|
| <b>Emission sound pressure level (L<sub>pA</sub>)</b>            | 74.5 dB(A) | 94.5 dB(A) |
| <b>Uncertainty for the sound pressure level (K<sub>pA</sub>)</b> | 5 dB(A)    | 5 dB(A)    |



|  | SF 6-22    | SF 6H-22    |
|--|------------|-------------|
| Sound power level ( $L_{WA}$ )                     | 85.5 dB(A) | 105.5 dB(A) |
| Uncertainty for the sound power level ( $K_{WA}$ ) | 5 dB(A)    | 5 dB(A)     |

#### Total vibration

|  |          | SF 6-22              | SF 6H-22              |
|--|----------|----------------------|-----------------------|
| Vibration emission value for drilling in metal ( $a_{h,D}$ )                   | B 22-85  | 1.0 m/s <sup>2</sup> | 1.2 m/s <sup>2</sup>  |
|  | B 22-170 | 0.7 m/s <sup>2</sup> | 1.1 m/s <sup>2</sup>  |
| Uncertainty for drilling in metal (K)  |          | 1.5 m/s <sup>2</sup> | 1.5 m/s <sup>2</sup>  |
| Vibration emission value for hammer-action drilling in concrete ( $a_{h,ID}$ ) | B 22-85  | */*                  | 11.9 m/s <sup>2</sup> |
|  | B 22-170 | */*                  | 10.6 m/s <sup>2</sup> |
| Uncertainty for hammer-action drilling in concrete (K)                         |          | */*                  | 1.5 m/s <sup>2</sup>  |

## 5 Preparations at the workplace

### WARNING

#### Risk of injury by inadvertent starting!

- ▶ Before inserting the battery, make sure that the product is switched off.
- ▶ Remove the battery before making any adjustments to the power tool or before changing accessories.

Observe the safety instructions and warnings in this documentation and on the product.

### 5.1 Charging the battery

1. Before charging the battery, read the operating instructions for the charger.
2. Make sure that the contacts on the battery and the contacts on the charger are clean and dry.
3. Use an approved charger to charge the battery. → page 6

### 5.2 Inserting the battery

### WARNING

#### Risk of injury by short circuit or falling battery!

- ▶ Before inserting the battery, make sure that the contacts on the battery and the contacts on the product are free of foreign matter.
- ▶ Make sure that the battery always engages correctly.

1. Charge the battery fully before using it for the first time.
2. Push the battery into the product until it engages with an audible click.
3. Check that the battery is seated securely.

### 5.3 Removing the battery

1. Press the battery release button.
2. Remove the battery from the product.

### 5.4 Installing the side handle

### CAUTION

#### Risk of injury! Loss of control over the rotary hammer drill.

- ▶ Check that the side handle is fitted correctly and tightened securely. Make sure that the clamps are correctly seated in the grooves provided for the purpose.

1. Turn the grip to release the clamps of the side handle.
2. Seat the side handle clamping band fully on the housing and push the clamps into the grooves provided for the purpose.
3. Turn the grip to tension the clamps of the side handle.



## 5.5 Inserting the accessory tool

1. Open the keyless chuck.
2. Insert the accessory tool into the chuck.
3. Tighten the keyless chuck.
4. Check that the accessory tool is held securely.

## 5.6 Fall arrest



### WARNING

**Risk of injury** by falling tool and/or accessory!

- ▶ Use only the **Hilti** tool tether recommended for your product.
- ▶ Prior to each use, always check the attachment point of the tool tether for possible damage.
- ▶ Do not secure a tool tether to the belt hook. Do not use a belt hook to lift the product.



Comply with the national regulations for working at heights.

As drop arrester for this product, use only a combination of the **Hilti** retaining strap and the **Hilti** tool tether #2261970.

- ▶ Secure the retaining strap to the installation openings for accessories. Check that it holds securely.
- ▶ Secure one carabiner of the tool tether to the retaining strap and secure the second carabiner to a load-bearing structure. Check that both carabiners hold securely.



Comply with the operating instructions of the **Hilti** retaining strap and those of the **Hilti** tool tether.

## 6 Operation



### CAUTION

**Risk of injury if the accessory tool stalls !**

- ▶ Check that the side handle is fitted correctly and tightened securely. Always hold the tool with both hands on the grips provided.
- ▶ Wear eye protection to prevent splintering material from injuring your eyes.

Observe the safety instructions and warnings in this documentation and on the product.

### 6.1 Selecting the gear

- ▶ Select the gear.

### 6.2 Setting forward or reverse rotation

- ▶ Set the forward/reverse switch to forward or reverse rotation, as applicable.

### 6.3 Switching on

- ▶ Press the control switch.
  - ▶ The product starts.



Speed can be controlled steplessly by varying how far the control switch is pressed in.

### 6.4 Screwdriving

- ▶ Set the torque and operating mode selector ring to the required torque.

### 6.5 Drilling

- ▶ Set the torque and operating mode selector ring to  .





## 6.6 Hammer-action drilling

- ▶ Set the torque and operating mode selector ring to .

## 6.7 Switching off

- ▶ Release the control switch.
  - ▶ The product switches off.

## 7 Care and maintenance

### WARNING

#### Risk of injury with battery inserted !

- ▶ Always remove the battery before carrying out care and maintenance tasks!

#### Care of the product

- Carefully remove stubborn dirt.
- Carefully clean the air vents, if present, with a dry, soft brush.
- Use only a slightly damp cloth to clean the housing. Do not use cleaning agents containing silicone as these can attack the plastic parts.
- Use a dry, clean cloth to clean the contacts of the product.

#### Care of the Li-ion batteries

- Never use a battery with clogged air vents. Clean the air vents carefully using a dry, soft brush.
- Avoid unnecessary exposure of the battery to dust and dirt. Never expose the battery to high levels of moisture (e.g. by being dipped in water or left in the rain).  
If a battery has been soaked by moisture, treat it as a damaged battery. Isolate it in a non-flammable container and consult **Hilti Service**.
- Keep the battery free of extraneous oil and grease. Do not permit dust or dirt to accumulate unnecessarily on the battery. Clean the battery with a dry, soft brush or a clean, dry cloth. Do not use cleaning agents containing silicone as these can attack the plastic parts.  
Do not touch the contacts of the battery and do not remove the factory-applied grease from the contacts.
- Use only a slightly damp cloth to clean the housing. Do not use cleaning agents containing silicone as these can attack the plastic parts.

#### Maintenance

- Check all visible parts and controls for signs of damage at regular intervals and make sure that they all function correctly.
- Do not use the product if signs of damage are found or if parts malfunction. Immediately have the product repaired by **Hilti Service**.
- After cleaning and maintenance, install all guards and protective devices and check that they are in full working order.



To help ensure safe and reliable operation, use only genuine Hilti spare parts and consumables. Spare parts, consumables and accessories approved by **Hilti** for use with your product can be found at your **Hilti Store** or online at: [www.hilti.group](http://www.hilti.group)

## 8 Transport and storage of cordless tools and batteries

### Transport

#### CAUTION

#### Accidental starting during transport !

- ▶ Always transport your products with the batteries removed!
- ▶ Remove the battery/batteries.
- ▶ Never transport batteries loose and unprotected. During transport, batteries should be protected from excessive shock and vibration and isolated from any conductive materials or other batteries that may come in contact with the terminals and cause a short circuit. **Comply with the locally applicable regulations for transporting batteries.**
- ▶ Do not send batteries through the mail. Consult your shipper for instructions on how to ship undamaged batteries.



- ▶ Prior to each use and before and after prolonged transport, check the product and the batteries for damage.

## Storage

### WARNING

#### Accidental damage caused by defective or leaking batteries !

- ▶ Always store your products with the batteries removed!
- 
- ▶ Store the product and the batteries in a cool and dry place. Comply with the temperature limits stated in the technical data.
  - ▶ Do not store batteries on the charger. Always remove the battery from the charger when the charging operation has completed.
  - ▶ Never leave batteries in direct sunlight, on sources of heat, or behind glass.
  - ▶ Store the product and batteries where they cannot be accessed by children or unauthorized persons.
  - ▶ Prior to each use and before and after prolonged storage, check the product and the batteries for damage.

## 9 Troubleshooting

If a problem occurs, always observe the charge-status and fault indicator of the battery. See the section headed **Status indicators of the Li-ion battery**.

If the trouble you are experiencing is not listed in this table or you are unable to remedy the problem by yourself, please contact **Hilti Service**.

| Trouble or fault                                    | Possible cause   | Action to be taken  |
|---|--|---|
| Product does not work.                              | The battery is not correctly inserted.                                     | ▶ Insert the battery. → page 9  |
| The control switch cannot be pressed, or is stuck.  | The forward/reverse switch is in the middle position (transport position). | ▶ Set the forward/reverse switch to forward or reverse rotation, as applicable. → page 10   |
| Product or battery gets very hot                    | Electrical fault   | ▶ Switch the product off immediately and remove the battery. Allow it to cool down while keeping it under observation. Contact <b>Hilti Service</b> . |
| LEDs of the battery show nothing                    | Battery defective  | ▶ Contact <b>Hilti Service</b> .  |
| SF 6H-22<br>Hammer-action drilling is not possible. | The operating mode is not set correctly at the selector ring.              | ▶ Set the selector ring to the "Hammer-action drilling" position .  |

## 10 Disposal

### WARNING

**Risk of injury due to incorrect disposal!** Health hazards due to escaping gases or liquids.

- ▶ DO NOT send batteries through the mail!
- ▶ Cover the terminals with a non-conductive material (such as electrical tape) to prevent short circuiting.
- ▶ Dispose of your battery out of the reach of children.
- ▶ Dispose of the battery at your **Hilti Store**, or consult your local governmental garbage disposal or public health and safety resources for disposal instructions.

Most of the materials from which **Hilti** products are manufactured can be recycled. The materials must be correctly separated before they can be recycled. In many countries, your old tools, machines or appliances can be returned to **Hilti** for recycling. Ask **Hilti Service** or your Hilti sales representative for further information.



- ▶ Do not dispose of power tools, electronic equipment or batteries as household waste!



## 11 Manufacturer's warranty

- ▶ Please contact your local **Hilti** representative if you have questions about the warranty conditions.

## 12 Further information

For more information on operation, technology, environment and recycling, follow this link: [qr.hilti.com/manual/?id=2275217&id=2275219](https://qr.hilti.com/manual/?id=2275217&id=2275219)

This link is also to be found at the end of the documentation, in the form of a QR code.

# Originalno uputstvo za upotrebu

## 1 Podaci o dokumentaciji

### 1.1 O ovoj dokumentaciji

- Pročitajte ovu dokumentaciju pre početka rada. To predstavlja preduslov za bezbedan rad i nesmetano rukovanje.
- Obratite pažnju na bezbednosne i upozoravajuće napomene koje se nalaze u ovoj dokumentaciji i na proizvodu.
- Uputstvo za rukovanje uvek čuvajte na proizvodu i samo ga sa ovim uputstvom prosledujte dalje drugim osobama.

### 1.2 Legenda

#### 1.2.1 Upozoravajuće napomene

Upozoravajuće napomene upozoravaju na opasnosti pri rukovanju proizvodom. Koriste se sledeće signalne reči:

#### **OPASNOST**

##### **OPASNOST !**

- ▶ Znači neposrednu opasnu situaciju, koja može prouzrokovati telesne povrede ili smrt.

#### **UPOZORENJE**

##### **UPOZORENJE !**

- ▶ Ova reč skreće pažnju na moguću opasnost koja može prouzrokovati tešku telesnu povredu ili smrt.







#### **OPREZ**

##### **OPREZ !**

- ▶ Za moguću opasnu situaciju koja može da dovede do telesnih povreda ili do materijalne štete.

#### 1.2.2 Simboli u uputstvu za upotrebu

Sledeći simboli se koriste u ovom uputstvu za upotrebu:

|   |   |
|---|---|
|  | Poštovanje uputstva za upotrebu                         |
|  | Napomene o primeni i druge korisne informacije          |
|  | Rad sa reciklažnim materijalima                         |
|  | Električne uređaje i baterije ne odlažite u kućni otpad |
|  | <b>Hilti</b> Li-Ion akumulatorska baterija              |
|  | <b>Hilti</b> Punjač                                     |



### 1.2.3 Simboli na slikama

Sledeći simboli se koriste na slikama:

|   |  |
|---|--|
|   | Ovi brojevi se odnose na odgovarajuću sliku sa početka ovog uputstva za upotrebu.  |
| 3 | Numerisanje reflektuje redosled radnih koraka na slici i može da odstupa od radnih koraka u tekstu.                        |
|   | Pozicioni brojevi se koriste na slici <b>Pregled</b> i odnose se na brojeve legende u poglavlju <b>Pregled proizvoda</b> . |
|   | Ovaj znak bi trebalo da vas podstakne na poseban oprez prilikom rada sa proizvodom.  |

## 1.3 Simboli u zavisnosti od proizvoda

### 1.3.1 Dodatni simboli

U ovoj dokumentaciji ili na proizvodu se mogu dodatno koristiti sledeći simboli:

|               |   |
|---------------|---|
|               | Bušenje bez udarca  |
|               | Bušenje pomoću udara (čekić bušenje)  |
| $n_0$         | Nominalni broj obrtaja u slobodnom hod  |
| /min          | Broj obrtaja u minuti   |
| $\varnothing$ | Prečnik   |
|               | Rad udesno/ulevo  |
|               | Jednosmerna struja  |
| Li-Ion        | Li-Ion akumulatorska baterija   |
|               | Proizvod podržava NFC tehnologije, koje su kompatibilne sa iOS- i Android platformama.  |
|               | Nikada ne koristite akumulatorsku bateriju kao alat za udaranje.  |
|               | Ne dozvolite da akumulatorska baterija padne. Ne koristite akumulatorsku bateriju koja je pretrpela udar ili je oštećena na neki drugi način. |

## 1.4 Informacije o proizvodu

Proizvodi su namenjeni za profesionalnog korisnika, a njima sme da rukuje, da ih održava ili popravlja samo ovlašćeno, upućeno osoblje. To osoblje mora biti posebno upoznato sa mogućim opasnostima. Proizvod i njegova pomoćna sredstva mogu da budu opasni ako ih neobučena lica nestručno tretiraju ili ako se ne koriste namenski.

Oznaka tipa i serijski broj su navedeni na tipskoj pločici.

- ▶ Prenesite serijski broj u sledeću tabelu. Podaci o proizvodu će vam biti potrebni kada budete kontaktirali naše predstavništvo ili servis.

#### Podaci o proizvodu

|  |                    |
|--|--------------------|
| Zavrtač-bušilica   udarna zavrtač-bušilica | SF 6-22   SF 6H-22 |
| Generacija                                 | 03                 |
| Serijski br.                               |                    |

## 1.5 Izjava o usklađenosti

Pod vlastitom odgovornošću proizvođač izjavljuje da je ovde opisani proizvod u skladu sa važećim zakonskim propisima i normama. Primerak izjave o usklađenosti nalazi se na kraju ove dokumentacije.

Tehnička dokumentacija se čuva ovde:

**Hilti** Društvo za razvoj doo | Dozvola za uređaje | Hiltistraße 6 | 86916 Kaufering, DE



## 2 Sigurnost

### 2.1 Opšte sigurnosne napomene za električne alate

**⚠ UPOZORENJE** Pročitajte pažljivo sigurnosne napomene, uputstva, pregledajte slike i pročitajte tehničke podatke, koje idu uz ovaj električni alat. Greške kod pridržavanja sledećih sigurnosnih napomena i uputstava mogu dovesti do električnog udara, požara i/ili teških povreda.

**Molimo sačuvajte sve sigurnosne napomene i uputstva za ubuduće.**

Pojam "električni alat" korišćen u sigurnosnim napomenama odnosi se na električne alate sa napajanjem iz električne mreže (sa mrežnim kablom) i na električne alate sa pogonom na akumulatoru (bez mrežnog kabla).

#### Sigurnost na radnom mestu

- ▶ **Područje rada održavajte čistim i osvetljenim.** Nered i neosvetljeno radno područje mogu dovesti do nezgoda.
- ▶ **Sa električnim alatom ne radite u okolini ugroženoj eksplozijom, u kojoj se nalaze zapaljive tečnosti, gasovi ili prašine.** Električni alati proizvode iskre koje mogu zapaliti prašinu ili isparenja.
- ▶ **Decu i ostale osobe tokom korišćenja električnog alata udaljite iz područja rada.** Ako biste skrenuli pažnju sa posla mogli biste izgubiti kontrolu nad uređajem.

#### Električna sigurnost

- ▶ **Priključni utikač električnog alata treba da odgovara utičnici. Na utikaču se ni u kom slučaju ne smeju izvoditi izmene. Ne koristite adapterske utikače zajedno sa zaštitno uzemljenim električnim alatima.** Nepromenjeni utikači i odgovarajuće utičnice smanjuju opasnost od električnog udara.
- ▶ **Izbegavajte dodir tela sa uzemljenim površinama kao što su cevi, radijatori, šporeti i frižideri.** Postoji povećana opasnost od električnog udara ako je vaše telo uzemljeno.
- ▶ **Električni alat držite dalje od kiše ili vlage.** Prodiranje vode u električni alat povećava opasnost od električnog udara.
- ▶ **Kabl ne upotrebljavajte za nošenje ili vešanje električnog alata odnosno za izvlačenje utikača iz utičnice. Kabl držite dalje od izvora toplote, ulja, oštih ivica ili pokretnih delova.** Oštećeni ili zapleteni kablovi povećavaju opasnost od električnog udara.
- ▶ **Ako sa električnim alatom radite na otvorenom prostoru, upotrebljavajte samo produžne kablove odobrene za upotrebu na otvorenom prostoru.** Primena produžnog kabla prikladnog za upotrebu na otvorenom prostoru smanjuje opasnost od električnog udara.
- ▶ **Ako ne možete izbeći rad električnog alata u vlažnom okruženju, koristite zaštitnu strujnu sklopku.** Upotreba zaštitne strujne sklopke smanjuje opasnost od električnog udara.

#### Sigurnost ljudi

- ▶ **Budite oprezni, pazite šta činite i kod rada sa električnim alatom postupajte razumno. Nemojte koristiti električni alat, ako ste umorni ili ste pod uticajem droga, alkohola ili lekova.** Momenat nepažnje prilikom upotrebe električnog alata može da dovede do ozbiljnih povreda.
- ▶ **Nosite sredstva lične zaštite i uvek zaštitne naočare.** Nošenje sredstava lične zaštite, kao što su zaštitna maska, sigurnosne cipele koje ne klize, zaštitna kaciga ili štitnik za sluh, u zavisnosti od vrste i primene električnog alata, smanjuje opasnost od nezgoda.
- ▶ **Izbegavajte nehotično stavljanje u pogon. Uverite se, da je električni alat isključen, pre nego što priključite snabdevanje naponom i/ili akumulator, ili ga primite ili nosite.** Ako kod nošenja električnog alata prst držite na prekidaču ili ako je alat uključen i priključen na električnu mrežu, to može dovesti do nezgoda.
- ▶ **Pre nego što uključite električni alat, uklonite alate za podešavanje ili vijčane ključeve.** Alat ili ključ koji se nalazi u rotirajućem delu alata može dovesti do nezgoda.
- ▶ **Izbegavajte nenormalan položaj tela. Zauzmite siguran i stabilan položaj tela i u svakom trenutku održavajte ravnotežu.** Na taj način električni alat možete bolje kontrolisati u neočekivanim situacijama.
- ▶ **Nosite prikladnu odeću. Ne nosite široku odeću ili nakit. Neka vaša kosa, odeća i rukavice budu što dalje od pokretnih delova.** Opuštenu odeću, nakit ili dugu kosu mogu zahvatiti pokretni delovi alata.
- ▶ **Ako su montirani alati za usisavanje i hvatanje prašine, proverite jesu li isti priključeni i da li se pravilno koriste.** Upotreba usisivača može smanjiti opasnost.
- ▶ **Nikada nemojte da se osećate previše sigurnim i nikada nemojte da se ne pridržavate pravila u vezi rukovanja električnim alatom, iako ste nakon dužeg rada dobro upoznati sa radom sa električnim alatom.** Neodgovornim rukovanjem moguće je za samo nekoliko sekundi zadobiti teške povrede.

#### Upotreba i rukovanje električnim alatom

- ▶ **Ne preopterećujte alat. Za vrstu posla koji obavljate koristite za to predviđen električni alat.** Sa odgovarajućim električnim alatom radićete bolje i sigurnije, u navedenom području snage.
- ▶ **Ne upotrebljavajte električni alat sa neispravnim prekidačem.** Električni alat koji se više ne može uključiti ili isključiti, opasan je i treba ga popraviti.



- ▶ **Izvcite utikač iz utičnice i/ili izvadite akumulator koji se skida iz alata pre podešavanja alata, zamene delova pribora ili odlaganja alata.** Ovim merama opreza sprečićete nehotično pokretanje električnog alata.
- ▶ **Nekorišćene električne alate držite van domašaja dece. Ne dozvolite da alat koriste osobe koje sa njim nisu upoznate ili koje nisu pročitale ova uputstva.** Električni alati su opasni ako ih koriste neiskusne osobe.
- ▶ **Pažljivo održavajte električne alate i pribor. Uverite se da pokretljivi delovi električnog alata rade besprekorno i da nisu zaglavljani, polomljeni ili oštećeni tako da negativno utiču na funkcionisanje alata. Oštećene delove popravite pre upotrebe alata.** Uzrok mnogih nezgoda leži u loše održavanim električnim alatima.
- ▶ **Rezne alate održavajte ostrim i čistim.** Brižljivo održavani rezni alati sa ostrim sečivima neće se zaglaviti i lakši su za vođenje.
- ▶ **Koristite električni alat, pribor, alate za umetanje itd. u skladu sa ovim uputstvom. Kod toga uzmite u obzir radne uslove i izvođene radove.** Upotreba električnih alata za neke druge primene različite od predviđenih, može dovesti do opasnih situacija.
- ▶ **Rukohvati i površine za hvatanje moraju biti suve, čiste, bez ostataka ulja i masti.** Klizavi rukohvati i površine za hvatanje onemogućavaju sigurno rukovanje i kontrolu električnog alata u nepredvidivim situacijama.

#### Upotreba i rukovanje akumulatorskim alatom

- ▶ **Akumulatore puniti samo u punjačima koje preporučuje proizvođač.** Kod punjača, koji je prikladan za određenu vrstu akumulatora, postoji opasnost od požara ako se koristi sa drugim akumulatorima.
- ▶ **Za električne alate upotrebljavajte samo za to predviđene akumulatore.** Upotreba nekog drugog akumulatora može dovesti do povreda i opasnosti od požara.
- ▶ **Nekorišćeni akumulator držite dalje od kancelarijskih spajalica, kovanica, ključeva, klinova, vijaka ili drugih sitnih metalnih predmeta koji bi mogli prouzrokovati premošćenje kontakata.** Kratak spoj između kontakata akumulatora može dovesti do opekotina ili do požara.
- ▶ **Kod neispravne primene može doći do curenja tečnosti iz akumulatora. Izbegavajte kontakt sa njom. U slučaju nehotičnog kontakta isperite vodom. Ako tečnost dospe u oči, dodatno potražite pomoć doktora.** Tečnost koja iscuri iz akumulatora, može dovesti do nadražaja kože ili opekotina.
- ▶ **Nemojte da koristite oštećene ili modifikovane akumulatore.** Oštećeni ili modifikovani akumulatori mogu biti veoma nepredvidljivi i da dovedu do nastanka požara, eksplozije i povredjenja.
- ▶ **Nemojte da izlažete akumulator vatri ili visokim temperaturama.** Vatra ili temperature iznad 130 °C (265 °F) mogu da dovedu do eksplozije.
- ▶ **Pridržavajte se svih uputstava u vezi punjenja i nikada nemojte da puniti akumulator ili alat sa akumulatorom izvan temperaturnog opsega navedenog u uputstvu za upotrebu.** Pogrešno punjenje ili punjenje izvan dozvoljenog temperaturnog opsega može da uništi akumulator i da predstavlja opasnost od nastanka požara.

#### Servisiranje

- ▶ **Popravku električnog alata prepustite samo kvalifikovanom stručnom osoblju i samo sa originalnim rezervnim delovima.** Na taj način postići će se održavanje sigurnosti alata.
- ▶ **Nikada nemojte da održavate oštećene akumulatore.** Sva održavanja akumulator treba da obavlja proizvođač ili ovlašćeni servis za kupce.

## 2.2 Sigurnosne napomene za bušilice

### Sigurnosne napomene za sve radove

- ▶ **Kod udarnog bušenja nosite zaštitu za uši.** Delovanje buke može uzrokovati gubitak sluha.
- ▶ **Upotrebljavajte dodatni rukohvat.** Gubitak kontrole može prouzrokovati telesne povrede.
- ▶ **Električni alat držite samo za izolovane prihvatne površine ako izvodite radove kod kojih alat za umetanje ili zavrtnji mogu pogoditi skrivene strujne vodove.** Kontakt sa provodljivim vodom može pod napon staviti i metalne delove uređaja i dovesti do električnog udara.

### Sigurnosne napomene pri korišćenju dugih bušilica

- ▶ **Ni u kom slučaju nemojte raditi sa većim brojem obrtaja od dopuštenog broja obrtaja za bušilicu.** Kod većih brojeva obrtaja, bušilica može da se blago iskrivi ako može da se okreće i bez kontakta sa radnim komadom, što može da dovede do povreda.
- ▶ **Postupak bušenja uvek počnite sa malim brojem obrtaja i dok bušilica ima kontakt sa radnim komadom.** Kod većih brojeva obrtaja, bušilica može da se blago iskrivi ako može da se okreće i bez kontakta sa radnim komadom, što može da dovede do povreda.
- ▶ **Nemojte primenivati prekomerni pritisak i samo u uzdužnom smeru bušilice.** Bušilice mogu da se saviju i na taj način slome ili mogu da izgube kontrolu, što može da dovede do povreda.



### 2.3 Dodatne sigurnosne napomene za zavrtač

- ▶ Koristite proizvod i pribor samo dok je u tehnički besprekornom stanju.
- ▶ Nikad nemojte vršiti manipulacije ili promene na proizvodu ili priboru.
- ▶ Pre početka rada proverite da li u radnom prostoru postoje prekriveni električni kablovi ili cevi za gas ili vodu. Spoljašnji metalni delovi na proizvodu mogu da izazovu strujni udar ili eksploziju, ako oštete neki strujni kabl, cev za gas ili vodu.
- ▶ Prašina, koja nastaje prilikom brušenja, šmirglanja, i bušenja, može da sadrži opasne hemikalije. Neki primeri su: olovo ili boja na bazi olova; cigla, beton i drugi proizvodi za zidanje, prirodni kamen, i drugi proizvodi koji sadrže silikat; određena drva, kao što su hrast, bukva i hemijski obrađeno drvo; azbest ili materijali koji sadrže azbest. Odredite izloženost korisnika i posmatrača prema klasi opasnosti materijala na kojima se radi. Preduzmite neophodne mere za održavanje izlaganja na sigurnom nivou, kao što su npr. primena sistema za sakupljanje prašine ili nošenje odgovarajuće zaštite za disanje. Opšte mere za smanjenje izloženosti uključuju:
  - ▶ rad u dobro provetranom području,
  - ▶ izbegavanje dužeg kontakta sa prašinom,
  - ▶ skidanje prašine sa lica i tela,
  - ▶ nošenje zaštitne odeće i pranje izloženih područja vodom i sapunom.
- ▶ Opasnost od povrede usled alata i/ili pribora koji padne. Pre početka rada proverite da li su akumulatorska baterija i montirani pribor sigurno pričvršćeni.
- ▶ Prilikom probijanja osigurajte područje na suprotnoj strani rada. Mogli bi ispasti i/ili se srušiti komadići materijala i povrediti druge osobe.
  - ▶ Proizvod u slučaju probijanja zida može da vas izbaci iz ravnoteže. Ako vršite probijanje zidova ili plafona, vodite računa o stabilnom položaju tela i ravnoteži.
- ▶ Ne upotrebljavajte tupe bitove.
- ▶ Upotrebljavajte dodatne rukohvate isporučene sa proizvodom. Gubitak kontrole može prouzrokovati telesne povrede. Uverite se da dodatni rukohvat sigurno naleže i da je čvrsto montiran.
- ▶ Proizvod uključite tek kada ga dovedete u radni položaj.
- ▶ Proizvod uvek držite čvrsto sa obe ruke za predviđene rukohvate. Redovno čistite rukohvate i održavajte ih suvim.
- ▶ Držite proreze za ventilaciju uvek slobodnim. Opasnost od opekotina zbog prekrivenih proreza za ventilaciju!
- ▶ Nemojte da dodirujete rotirajuće delove - opasnost od povređivanja!
- ▶ Prilikom upotrebe proizvoda nosite zaštitne naočare, zaštitni šlem, zaštitu za sluh i odgovarajući zaštitu za disajne organe.
- ▶ Koristite zaštitne naočare. Odvojeni materijal može da povredi telo i oči.
- ▶ Ne gledajte direktno u osvetljenje (LED) proizvoda i ne usmeravajte ga drugim osobama u lice. Postoji opasnost od zaslepljenja.
- ▶ Pravite često pauze i radite vežbe za pospešivanje cirkulacije krvi u prstima. Pri dužim radovima može da dođe do toga da jake vibracije izazovu smetnje u krvnim sudovima ili u nervnom sistemu prstiju, šaka ili zglobova.
- ▶ Sačekajte da se proizvod najpre potpuno umiri, pre nego što ga odložite.
- ▶ Nosite zaštitne rukavice prilikom zamene alata. Dodirivanje namenskog alata može da dovede do posekotina i opekotina.

### 2.4 Pažljivo rukovanje i upotreba akumulatorske baterije

- ▶ **Poštujte sledeće bezbednosne napomene za bezbedno rukovanje i korišćenje litijum-jonskih akumulatorskih baterija.** Nepriдрžavanje može dovesti do iritacije kože, teških povreda usled korozije, hemijskih opekotina, požara i / ili eksplozija.
- ▶ Akumulatorske baterije koristite isključivo dok su u tehnički besprekornom stanju.
- ▶ Pažljivo rukujte akumulatorskim baterijama, kako biste izbegli oštećenja i isticanje tečnosti koja je jako štetna po zdravlje!
- ▶ Nad akumulatorskim baterijama se ni u kom slučaju ne smeju vršiti izmene niti se njima sme manipulirati!
- ▶ Akumulatorska baterija se ne sme rastavljati, gnječiti, zagrevati iznad 80°C (176°F).
- ▶ Ne koristite ili ne punit akumulatorske baterije, koje su pretrpele strujni udar ili su oštećene na neki drugi način. Redovno kontrolišite da li na vašim akumulatorskim baterijama ima oštećenja.
- ▶ Nikada ne koristite reciklirane ili popravljene akumulatorske baterije.
- ▶ Nikada ne koristite akumulatorsku bateriju ili električni alat sa akumulatorskim pogonom kao udarni alat.



- ▶ Nikada ne izlažite akumulatorske baterije direktnom sunčevom zračenju, povećanoj temperaturi, varnici ili otvorenom plamenu. To može da dovede do eksplozija.
- ▶ Ne dodirujte polove baterije svojim prstima, alatima, nakitom ili drugim predmetima koji provode struju. To može oštetiti akumulatorsku bateriju i izazvati materijalnu štetu i povrede.
- ▶ Držite akumulatorske baterije dalje od kiše, vlage i tečnosti. Tečnost koja je prodrla može prouzrokovati kratke spojeve, strujne udare, požare i eksplozije.
- ▶ Upotrebljavajte samo punjače i električne alate koji su predviđeni za taj tip akumulatorske baterije. Da biste to uradili, obratite pažnju na podatke u odgovarajućim uputstvima za upotrebu.
- ▶ Ne koristite i ne skladištite bateriju u okolini u kojoj postoji opasnost od eksplozije.
- ▶ Ako je akumulatorska baterija prevruća da biste je držali u ruci, onda je moguće da je u kvaru. Akumulatorsku bateriju postavite na pregledno, nezapaljivo mesto koje je dovoljno udaljeno od zapaljivih materijala. Sačekajte da se akumulatorska baterija ohladi. Ukoliko je akumulatorska baterija nakon sat vremena i dalje suviše vruća da biste je držali u ruci, to znači da je neispravna. Obratite se servisu **Hilti** ili pročitajte dokument „Napomene za sigurnost i korišćenje **Hilti** Li-Ion akumulatorskih baterija“.

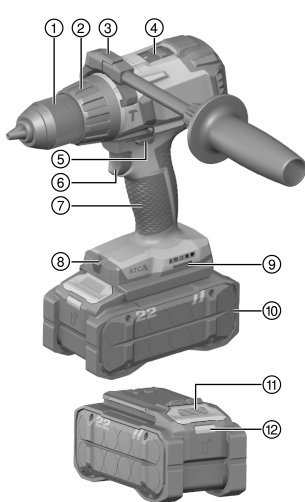


Obratite pažnju na specijalne smernice, koje važe za transport, skladištenje i upotrebu litijum-jonskih akumulatorskih baterija. → Strana 24

Pročitajte napomene za sigurnost i korišćenje **Hilti** Li-Ion akumulatorskih baterija, koje možete dobiti skeniranjem QR koda na kraju ovog uputstva za upotrebu.

### 3 Opis

#### 3.1 Pregled proizvoda



- ① Brzostezna glava
- ② Prsten za podešavanje obrtnog momenta i funkciju
- ③ Bočni rukohvat
- ④ Prekidač za promenu brzina
- ⑤ Preklonik za okretanje nadesno / nalevo sa osiguračem za transport
- ⑥ Upravljačka sklopka sa elektronskom regulacijom broja obrtaja
- ⑦ Rukohvat
- ⑧ Osvetljenje radnog polja (LED)
- ⑨ Otvor za montažu pribora
- ⑩ Akumulatorska baterija
- ⑪ Taster za deblokiranje akumulatorske baterije
- ⑫ Prikaz statusa akumulatorske baterije

#### 3.2 Namenska upotreba

Opisani proizvod je ručna akumulatorska zavrtač-bušilica. Namenjena je za bušenje u čeliku, drvetu i plastici, lakom betonu i zidovima kao i za uvrtanje i otpuštanje zavrtnjeva.

- Za ovaj proizvod upotrebljavajte samo **Hilti**Nuron Li-Ion akumulatorske baterije serije B 22. Za optimalnu snagu **Hilti** za ovaj proizvod preporučuje upotrebu akumulatorskih baterija koje su navedene na kraju ovog uputstva za upotrebu.
- Za ove akumulatorske baterije koristite isključivo **Hilti** punjače serija koje su navedene u tabeli na kraju ovog uputstva za upotrebu.

#### 3.3 ATC

Proizvod je opremljen elektronskim brzim isključivanjem ATC (Active Torque Control).





Ako se alat za umetanje blokira ili zaglavi, proizvod se okreće odjednom nekontrolisano u suprotnom smeru. ATC prepoznaje ovo nekontrolisano okretanje proizvoda i odmah isključuje uređaj.



Za pravilno funkcionisanje proizvod mora nesmetano da se okreće. Nakon uspešnog brzog isključivanja, isključite proizvod i ponovo ga uključite.

### 3.4 Indikator preopterećenja i pregrevanja

Proizvod je opremljen elektronskom zaštitom od preopterećenja i zaštitom od pregrevanja. Kod preopterećenja i pregrevanja proizvod se automatski isključuje. Ako otpustite i ponovo pritisnete prekidač za upravljanje, može doći do kašnjenja uključivanja (faze hlađenja proizvoda).

### 3.5 Prikazi Li-Ion akumulatorske baterije

Hilti Nuron Li-Ion akumulatorske baterije mogu da prikažu status napunjenosti, poruke o greškama i stanje i akumulatorske baterije.

#### 3.5.1 Indikatori za napunjenosti i poruke o greškama

##### UPOZORENJE

**Opasnost od povrede u slučaju padanja akumulatorske baterije!**

- ▶ Kada je uključena akumulatorska baterije, nakon pritiskanja tastera za uključivanje uverite se da ste ponovo pravilno postavili akumulatorsku bateriju u korišćenom proizvodu.

Kratko pritisnite taster za otključavanje akumulatorske baterije da biste dobili neki od sledećih prikaza. Nivo napunjenosti kao i moguće smetnje se prikazuju trajno, sve dok je priključeni proizvod uključen.

| Stanje  | Značenje   |
|---|--|
| Četiri (4) LED diode svetle konstantno zeleno | Status napunjenosti: 100% do 71%   |
| Tri (3) LED diode svetle konstantno zeleno    | Status napunjenosti: 70% do 51%  |
| Dve (2) LED diode svetle konstantno zeleno    | Status napunjenosti: 50% do 26%  |
| Jedna (1) LED dioda konstantno svetli zeleno  | Status napunjenosti: 25% do 10%  |
| Jedna (1) LED dioda treperi polako zeleno     | Status napunjenosti: < 10 %  |
| Jedna (1) LED dioda treperi brzo zeleno       | Li-Ion akumulatorska baterija je potpuno ispražnjena. Napunite akumulatorsku bateriju. Ako LED dioda nakon akumulatorske baterije još uvek brzo treperi, obratite se <b>Hilti</b> servisu.   |
| Jedna (1) LED dioda treperi brzo žuto         | Li-Ion akumulatorska baterija ili proizvod koji je povezan sa njom su preopterećeni, pregrejani, previše hladni ili postoji neka druga greška. Proizvod i akumulatorsku bateriju dovedite na preporučenu radnu temperaturu i nemojte je preopterećivati prilikom upotrebe. Ako se poruka i dalje pojavljuje, obratite se <b>Hilti</b> servisu. |
| Jedna (1) LED dioda svetli žuto               | Li-Ion akumulatorska baterija i proizvod koji je povezan sa njom nisu kompatibilni. Obratite se <b>Hilti</b> servisu.  |
| Jedna (1) LED dioda treperi brzo crveno       | Li-Ion akumulatorska baterija je blokirana i više ne može da se upotrebljava. Obratite se <b>Hilti</b> servisu.  |

#### 3.5.2 Prikazi stanja akumulatorske baterije

Kako biste proverili stanje akumulatorske baterije, držite taster za otključavanje pritisnut duže od tri sekunde. Sistem ne prepoznaje potencijalne nepravilne funkcije baterije usled zloupotrebe, kao što su npr. pad, ubodi, eksterna oštećenja od toplote.

| Stanje   | Značenje   |
|--|--|
| Sve LED diode svetle kao radno svetlo i jedna (1) LED dioda nakon toga svetli konstantno zeleno. | Akumulatorska baterija može dalje da se koristi. |



| Stanje   | Značenje   |
|--|--|
| Sve LED diode svetle kao radno svetlo i nakon toga jedna (1) LED dioda brzo treperi žuto.        | Upit prikaza stanja akumulatorske baterije nije mogao da izvrši. Ponovite postupak ili se obratite <b>Hilti</b> servisu.   |
| Sve LED diode svetle kao radno svetlo i jedna (1) LED dioda nakon toga svetli konstantno crveno. | Ako priključeni proizvod može i dalje da se koristi, preostali kapacitet baterije je manji od 50%.<br>Ako priključeni proizvod više ne može da se koristi, akumulatorska baterija je na kraju svog roka trajanja i potrebno je da se zameni. Obratite se <b>Hilti</b> servisu. |

### 3.6 Sadržaj isporuke

Zavrtač-bušilica, bočni rukohvat, uputstvo za upotrebu.

Ostale, za vaš proizvod odobrene proizvode sistema pronađite u okviru **Hilti Store** ili onlajn na: [www.hilti.group](http://www.hilti.group)

## 4 Tehnički podaci

|  |                  | SF 6-22              | SF 6H-22             |
|--|------------------|----------------------|----------------------|
| <b>Nominalni napon</b>   |                  | 21,6 V <sub>DC</sub> | 21,6 V <sub>DC</sub> |
| <b>Težina prema EPTA Procedure 01 bez akumulatorske baterije</b>         |                  | 2,0 kg               | 2,0 kg               |
| <b>Obrtni momenat</b>  | <b>1. brzina</b> | 0/min ... 490/min    | 0/min ... 490/min    |
|  | <b>2. brzina</b> | 0/min ... 2.000/min  | 0/min ... 2.000/min  |
| <b>Obrtni momenat (slabije zavrtnje vijaka) <math>\frac{1}{2}</math></b> |                  | ≤ 65 Nm              | ≤ 65 Nm              |
| <b>Broj udara</b>  |                  | */*                  | 36.000/min           |
| <b>Temperatura okoline tokom rada</b>                                    |                  | -17 °C ... 60 °C     | -17 °C ... 60 °C     |
| <b>Temperatura skladištenja</b>  |                  | -20 °C ... 70 °C     | -20 °C ... 70 °C     |

### 4.1 Akumulatorska baterija

|   |                                       |
|---|---------------------------------------|
| <b>Radni napon akumulatorske baterije</b>                     | 21,6 V                                |
| <b>Težina akumulatorske baterije</b>                          | Videti kraj ovog uputstva za upotrebu |
| <b>Temperatura okoline tokom rada</b>                         | -17 °C ... 60 °C                      |
| <b>Temperatura skladištenja</b>                               | -20 °C ... 40 °C                      |
| <b>Temperatura akumulatorske baterije na početku punjenja</b> | -10 °C ... 45 °C                      |

### 4.2 Dozvoljeni prečnik za namenske alate

|   | SF 6-22          | SF 6H-22         |
|---|------------------|------------------|
| <b>Ø Raspon stezanja brzostezne glave</b>       | 1,5 mm ... 13 mm | 1,5 mm ... 13 mm |
| <b>Ø Burgija za drvo (tvrdo)</b>                | 1,5 mm ... 20 mm | 1,5 mm ... 20 mm |
| <b>Ø Burgija za drvo (meko)</b>                 | 1,5 mm ... 32 mm | 1,5 mm ... 32 mm |
| <b>Ø Bušilica za metal</b>                      | 1,5 mm ... 13 mm | 1,5 mm ... 13 mm |
| <b>Ø Bušenje u betonu/zidu (udarno bušenje)</b> | */*              | 4 mm ... 12 mm   |

### 4.3 Informacije o šumu i vrednosti vibracija prema EN 62841

U ovim uputstvima navedene vrednosti pritiska zvuka i vibracija su izmerene u skladu sa normiranim postupkom merenja i možete zajedno da ih koristite za poređenje električnih alata. Takođe su primereni za preliminarnu procenu ekspozicija.

Navedeni podaci se odnose primarne primene električnog alata. Ako se električni alat inače koristi za druge primene sa alatima za umetanje koji se razlikuju ili nisu dovoljno dobro održavani, podaci se mogu razlikovati. To može znatno povećati ekspozicije tokom celokupnog radnog veka.



Za tačnu procenu ekspozicija treba uzeti u obzir i vremena, tokom kojih je uređaj bio isključen ili je radio, ali se zapravo nije koristio. To može znatno smanjiti ekspozicije tokom celokupnog radnog veka.

Određite dodatne sigurnosne mere za zaštitu korisnika od delovanja zvuka i/ili vibracija kao npr.: održavanje električnog alata i alata za umetanje, održavanje toplih ruku, organizacija tokova rada.

#### Vrednosti emisije buke

|   | SF 6-22    | SF 6H-22    |
|---|------------|-------------|
| Nivo emisije zvučnog pritiska ( $L_{pA}$ )    | 74,5 dB(A) | 94,5 dB(A)  |
| Nesigurnost nivoa pritiska zvuka ( $K_{pA}$ ) | 5 dB(A)    | 5 dB(A)     |
| Nivo jačine buke ( $L_{WA}$ )                 | 85,5 dB(A) | 105,5 dB(A) |
| Nesigurnost nivoa jačine zvuka ( $K_{WA}$ )   | 5 dB(A)    | 5 dB(A)     |

#### Ukupne vrednosti vibracija

|   |          | SF 6-22              | SF 6H-22              |
|---|----------|----------------------|-----------------------|
| Vrednost emisije vibracije za bušenje u metalu ( $a_{h,d}$ )        | B 22-85  | 1,0 m/s <sup>2</sup> | 1,2 m/s <sup>2</sup>  |
|   | B 22-170 | 0,7 m/s <sup>2</sup> | 1,1 m/s <sup>2</sup>  |
| Nepouzdanost bušenja u metalu (K)                                   |          | 1,5 m/s <sup>2</sup> | 1,5 m/s <sup>2</sup>  |
| Vrednost emisije vibracije za udarno bušenje u betonu ( $a_{h,d}$ ) | B 22-85  | */*                  | 11,9 m/s <sup>2</sup> |
|   | B 22-170 | */*                  | 10,6 m/s <sup>2</sup> |
| Nepouzdanost udarnog bušenja u betonu (K)                           |          | */*                  | 1,5 m/s <sup>2</sup>  |

## 5 Priprema za rad

### UPOZORENJE

**Opasnost od povrede nesmotrenim pokretanjem!**

- ▶ Pre postavljanja akumulatorske baterije uverite se da je proizvod isključen.
- ▶ Izvadite akumulatorsku bateriju pre podešavanja uređaja ili zamene delova pribora.

Obratite pažnju na bezbednosne i upozoravajuće napomene koje se nalaze u ovoj dokumentaciji i na proizvodu.

### 5.1 Punjenje akumulatorske baterije

1. Pre punjenja pročitajte uputstvo za rukovanje punjačem.
2. Vodite računa o tome da kontakti akumulatorske baterije i punjača treba da budu suvi i čisti.
3. Akumulatorsku bateriju napunite u sertifikovanom punjaču. → Strana 18

### 5.2 Umetanje akumulatorske baterije

### UPOZORENJE

**Opasnost od povrede usled kratkog spoja ili pada akumulatorske baterije!**

- ▶ Pre postavljanja akumulatorske baterije u proizvod, uverite se da na kontaktima akumulatorske baterije i proizvoda nema stranih tela.
- ▶ Uvek proverite da li akumulatorska baterija pravilno naleže.

1. Pre prvog puštanja u rad u potpunosti napunite akumulatorsku bateriju.
2. Gurnite akumulatorsku bateriju u proizvod, dok se ne čuje da se uklopila.
3. Proverite da li je akumulatorska baterija ispravno ulegla.

### 5.3 Uklanjanje akumulatorske baterije

1. Pritisnite taster za otključavanje akumulatora.
2. Izvucite akumulatorsku bateriju iz proizvoda.



## 5.4 Montaža bočnog rukohvata 2

### OPREZ

**Opasnost od povređivanja!** Gubitak kontrole nad čekić bušilicom.

► Uverite se da je bočna drška pravilno montirana i da je odgovarajuće pričvršćena. Budite sigurni da stezaljke ispravno naležu u za to predviđene proreze.

1. Okrećite rukohvat, kako biste otpustili stezaljke bočnog rukohvata.
2. Postavite držač bočnog rukohvata u potpunosti na kućište i gurnite stezaljke u za to predviđene proreze.
3. Okrećite rukohvat, kako biste zategli držač bočnog rukohvata.

## 5.5 Postavljanje namenskog alata 3


1. Otvorite brzosteznu glavu.
2. Ubacite alat za umetanje u prihvat alata.
3. Pritegnite brzosteznu glavu.
4. Proverite siguran prihvat namenskog alata za umetanje.

## 5.6 Osigurač od padanja

### UPOZORENJE


**Opasnost od povrede** usled alata i/ili pribora koji padne!

- Koristite samo **Hilti** traku za držanje alata koja je preporučena za vaš proizvod.
- Pre svake upotrebe proverite da li je tačka za pričvršćivanje trake za držanje alata oštećena.
- Traku za držanje alata nemojte pričvršćivati za kopču za pojas. Kopču za pojas nemojte koristiti za podizanje proizvoda.

 Vodite računa o nacionalnim propisima za radove na visini.

Kao osigurač od padanja, za ovaj proizvod koristite isključivo kombinaciju **Hilti** osigurača od pada sa **Hilti** trakom za držanje alata #2261970.

- Pričvrstite osigurač od pada odlažite u montažne otvore za pribor. Proverite siguran prihvat.
- Pričvrstite karabiner trake za držanje alata na osigurač od pada a drugu karabiner na noseću strukturu. Proverite siguran prihvat oba karabinera.

 Obratite pažnju na uputstva za upotrebu **Hilti** osigurača od pada kao i **Hilti** trake za držanje alata.

## 6 Rukovanje

### OPREZ

**Opasnost od povreda zbog blokade rezervnog alata !**

- Uverite se da je bočna drška pravilno montirana i da je odgovarajuće pričvršćena. Proizvod uvek držite čvrsto sa obe ruke za predviđene rukohvate.
- Koristite zaštitne naočare da biste se zaštitili od strugotina.

Obratite pažnju na bezbednosne i upozoravajuće napomene koje se nalaze u ovoj dokumentaciji i na proizvodu.

### 6.1 Izbor brzine 4

- Izaberite brzinu.

### 6.2 Podešavanje obrtanja u desno/levo 5

- Sklopku za obrtanje u desno/levo podesite na obrtanje u desno ili levo.



### 6.3 Uključivanje

- ▶ Koristite prekidač za upravljanje.
  - ▶ Proizvod radi.



U zavisnosti od dubine utiskivanja prekidača za upravljanje može se kontinuirano regulisati broj obrtaja.

### 6.4 Zavrtanje

- ▶ Podesite prsten za podešavanje obrtnog momenta i funkcije na neophodni obrtni momenat.

### 6.5 Bušenje

- ▶ Podesite prsten za podešavanje obrtnog momenta i funkcije na .

### 6.6 Udarno bušenje

- ▶ Podesite prsten za podešavanje obrtnog momenta i funkcije na .

### 6.7 Isključivanje

- ▶ Otpustite prekidač za upravljanje.
  - ▶ Proizvod se isključuje.

## 7 Nega i održavanje



### UPOZORENJE

#### Opasnost od povrede kod umetnute akumulatorske baterije !

- ▶ Uvek izvadite akumulatorsku bateriju pre svih radova na negovanju i održavanju uređaja!

#### Održavanje proizvoda

- Pažljivo uklonite čvrsto prionulu prljavštinu.
- Ako postoje, pažljivo očistite proreze za ventilaciju suvom, mekanom četkom.
- Kućište čistite samo blago nakvašenom krpom. Ne upotrebljavajte sredstva za negu na bazi silikona, jer mogu nagristi plastične delove.
- Za čišćenje kontakta proizvoda koristite čistu, suhu krpu.

#### Nega Li-Ion akumulatorske baterije

- Nikada ne upotrebljavajte akumulatorsku bateriju sa ukoliko su prorezi za ventilaciju začepljeni. Proreze za ventilaciju oprezno očistite suvom, mekanom četkom.
- Ne izlažite akumulatorsku bateriju nepotrebnoj prašini ili prljavštini. Ne izlažite akumulatorsku bateriju nikada velikoj količini tečnosti (npr. potapanjem u vodu ili ostavljanjem na kiši).  
Ako je akumulatorska baterija navlažena, tretirajte je kao oštećenu akumulatorsku bateriju. Izolujte je u nezapaljivu posudu i obratite se servisu **Hilti**.
- Akumulatorska baterija ne sme da bude zaprljana drugim uljem i mašću. Nemojte dozvoljavati da se na akumulatorskoj bateriji taloži nepotrebna prašina ili prljavština. Akumulatorsku bateriju čistite pomoću suve, mekane četkice ili čiste, suve krpe. Ne upotrebljavajte sredstva za negu na bazi silikona, jer mogu nagristi plastične delove.  
Nemojte da dodirujete kontakte akumulatorske baterije i nemojte uklanjati fabrički nanet masnoću sa kontakata.
- Kućište čistite samo blago nakvašenom krpom. Ne upotrebljavajte sredstva za negu na bazi silikona, jer mogu nagristi plastične delove.

#### Održavanje

- Redovno proveravajte da li je došlo do oštećenja na vidljivim delovima i da li elementi za rukovanje besprekorno funkcionišu.
- Proizvod nemojte da koristite ukoliko postoje oštećenja i/ili smetnje u funkciji. Proizvod odmah treba da popravi **Hilti** servis.
- Posle radova na nezi i održavanju postavite svu zaštitnu opremu i proverite da li je njihova funkcija ispravna.





Da biste obezbedili bezbedan rad koristite samo originalne rezervne delove i potrošni materijal. Rezervne delove, potrošne materijale i pribor koje je odobrila kompanija **Hilti** se nalaze u vašem **Hilti Store** ili na adresi: [www.hilti.group](http://www.hilti.group)

## 8 Transport i skladištenje akumulatorskih alata i akumulatorskih baterija

### Transport

#### OPREZ

#### Nesmotreno pokretanje prilikom transporta !

- ▶ Uvek transportujte vaše proizvode bez umetnutih akumulatorskih baterija!
- ▶ Izvadite akumulatorsku bateriju ili baterije.
- ▶ Nemojte transportovati akumulatorske baterije bez ambalaže. Akumulatorske baterije bi trebalo tokom transporta zaštititi od prekomernih udara i od materijala koji sprovode struju ili izolovati od drugih akumulatorskih baterija, kako se ne bi dodirnule sa drugim polom baterije i prouzrokovale kratak spoj. **Obratite pažnju na vaše lokalne propise za transport akumulatorskih baterija.**
- ▶ Akumulatorske baterije ne smete slati poštom. Obratite se kompaniji za slanje pošiljki, ako želite da pošaljete neoštećene akumulatorske baterije.
- ▶ Prekontrolišite da li na proizvodu i akumulatorskim baterijama ima oštećenja pre svake upotrebe kao i pre i nakon dugotrajnog transporta.

### Skladištenje

#### UPOZORENJE

#### Nesmotreno oštećenje zbog neispravnih ili isurelih akumulatorskih baterija !

- ▶ Uvek odlažite vaše proizvode bez umetnutih akumulatorskih baterija!
- ▶ Čuvajte proizvod i akumulatorske baterije na hladnom i suvom mestu. Pazite na granične vrednosti za temperaturu koje su navedene u tehničkim podacima.
- ▶ Akumulatorske baterije nemojte čuvati na punjaču. Akumulatorsku bateriju nakon punjenja uvek skinite sa punjača.
- ▶ Akumulatorske baterije nemojte čuvati na suncu, izvorima toplote ili iza stakla.
- ▶ Čuvajte proizvod i akumulatorske baterije tako da ne budu pristupačni deci ili neovlašćenim osobama.
- ▶ Prekontrolišite da li na proizvodu i akumulatorskim baterijama ima oštećenja pre svake upotrebe kao i pre i nakon dugotrajnog skladištenja.

## 9 Pomoć u slučaju smetnji

Kod svih smetnji obratite pažnju na prikaz stanja napunjenosti i prikaz greške akumulatorske baterije. Pogledajte poglavlje **Prikazi Li-Ion akumulatorske baterije**.

U slučaju smetnji, koje nisu navedene u ovoj tabeli ili koje ne možete samostalno da otklonite, molimo da se obratite **Hilti** servisu.

| Smetnja   | Mogući uzrok   | Rešenje  |
|---|--|--|
| Proizvod ne radi.   | Akumulatorska baterija nije pravilno umetnuta.                                 | ▶ Umetnite akumulatorsku bateriju. → Strana 21   |
| Prekidač za upravljanje ne može da se pritisne odnosno blokiran je. | Sklopka za obrtanje u desno/levo je u srednjem položaju (transportni položaj). | ▶ Sklopku za obrtanje u desno/levo podesite na obrtanje u desno ili levo. → Strana 22  |
| Jak razvoj toplote u proizvodu ili akumulatorskoj bateriji          | Električni kvar  | ▶ Odmah isključite proizvod i izvadite akumulatorsku bateriju. Nadgledajte ga dok se ne ohladi. Kontaktirajte <b>Hilti</b> servis. |
| LED sijalice akumulatorske baterije ne prikazuju ništa              | Akumulatorska baterija je pokvarena  | ▶ Obratite se <b>Hilti</b> servisu.  |
| SF 6H-22<br>Udarno bušenje nije moguće.                             | Funkcija na prstenu za podešavanje nije korektno podešena.                     | ▶ Podesite prsten za podešavanje na funkciju "Udarno bušenje"  |



## 10 Zbrinjavanje otpada



### UPOZORENJE

**Opasnost od povređivanja usled nestručnog uklanjanja na otpad!** Opasnosti po zdravlje prouzrokovane ispuštanjem gasova ili tečnosti.

- ▶ Nemojte slati oštećene akumulatorske baterije!
- ▶ Prekrijte priključke materijalom koji ne sprovodi struju, kako biste izbegli kratak spoj.
- ▶ Akumulatorske baterije uklonite na otpad tako da ne mogu da dospeju u ruke dece.
- ▶ Uklonite na otpad akumulatorsku bateriju u vašoj **Hilti Store** ili se obratite preduzeću za odlaganje koje je nadležno za vas.

**Hilti** proizvodi su sa velikim udelom proizvedeni od reciklažnih materijala. Preduslov za ponovnu upotrebu je stručno razdvajanje materijala. U mnogim zemljama **Hilti** vaš stari uređaj vraća na reciklažu. Pitajte **Hilti** servis za klijente ili vašeg konsultanta za prodaju.



- ▶ Električne alate, elektronske uređaje i akumulatorske baterije ne odlažite u kućne otpatke!

## 11 Garancija proizvođača

- ▶ Ukoliko imate pitanja o uslovima garancije, obratite se lokalnom **Hilti** partneru.

## 12 Dodatne informacije

Dodatne informacije o rukovanju, tehnici, životnoj sredini i reciklaži možete pronaći na sledećem linku: [qr.hilti.com/manual/?id=2275217&id=2275219](http://qr.hilti.com/manual/?id=2275217&id=2275219)

Ovim link ćete pronaći čak i na kraju šine dokumentaciji od QR kôd.

## Перевод оригинального руководства по эксплуатации

### 1 Указания к документации

#### 1.1 Об этом документе



**Импортер и уполномоченная изготовителем организация**

- (RU) Российская Федерация  
АО "Хилти Дистрибьюшн ЛТД", 141402, Московская область, г. Химки, ул. Ленинградская, стр. 25
- (BY) Республика Беларусь  
222750, Минская область, Дзержинский район, Р-1, 18-й км, 2 (около д. Слободка), помещение 1-34
- (KZ) Республика Казахстан  
Республика Казахстан, индекс 050057, г. Алматы, ул. Тимирязева 42, павильон 15-9  
Қазақстан Республикасы, 050057, Алматы қ., Тимирязев көшесі, 15-9 павильоны
- (AM) Республика Армения  
ООО Эйч-Кон, Республика Армения, г. Ереван, ул. Бабаяна 10/1

Страна производства: см. маркировочную табличку на оборудовании.

Дата производства: см. маркировочную табличку на оборудовании.

Соответствующий сертификат можно найти по адресу: [www.hilti.ru](http://www.hilti.ru)

Специальных требований к условиям хранения, транспортировки и использования, кроме указанных в руководстве по эксплуатации, нет.

Срок службы изделия составляет 5 лет.

- Ознакомьтесь с этим документом перед началом работы. Это является залогом безопасной работы и бесперебойной эксплуатации.
- Соблюдайте указания по технике безопасности и предупреждающие указания, приводимые в данном документе и на изделии.



- Храните руководство по эксплуатации всегда рядом с электроинструментом и передавайте электроинструмент будущим владельцам только вместе с этим руководством.

## 1.2 Пояснение к знакам

### 1.2.1 Предупреждающие указания

Предупреждающие указания служат для предупреждения об опасностях при обращении с изделием. Используются следующие сигнальные слова:

#### ОПАСНО

##### ОПАСНО !

- ▶ Общее обозначение непосредственной опасной ситуации, которая влечет за собой тяжелые травмы или смертельный исход.

#### ПРЕДУПРЕЖДЕНИЕ

##### ПРЕДУПРЕЖДЕНИЕ !

- ▶ Общее обозначение потенциально опасной ситуации, которая может повлечь за собой тяжелые травмы или смертельный исход.







#### ОСТОРОЖНО

##### ОСТОРОЖНО !

- ▶ Общее обозначение потенциально опасной ситуации, которая может повлечь за собой травмы или повреждение оборудования (материальный ущерб).


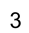


### 1.2.2 Символы, используемые в руководстве

В этом руководстве используются следующие символы:

|  |   |
|--|---|
|   | Соблюдать руководство по эксплуатации                                       |
|   | Указания по эксплуатации и другая полезная информация                       |
|   | Обращение с материалами, пригодными для вторичной переработки               |
|   | Не выбрасывайте электроинструменты и аккумуляторы вместе с обычным мусором! |
|   | Hilti Литий-ионный аккумулятор (Li-Ion)                                     |
|  | Зарядное устройство Hilti   |

### 1.2.3 Символы на изображениях

На изображениях используются следующие символы:

|   |  |
|---|--|
|  | Эти цифры указывают на соответствующее изображение в начале данного руководства.   |
|  | Нумерация на изображениях отображает порядок выполнения рабочих операций и может отличаться от нумерации, используемой в тексте. |
|  | Номера позиций используются в <b>обзорном</b> изображении. В <b>обзоре изделия</b> они указывают на номера в экспликации.        |
|  | Этот знак должен привлечь особое внимание пользователя при обращении с изделием.   |

## 1.3 Символы в зависимости от изделия

### 1.3.1 Дополнительные символы

В этом документе и на электроинструменте могут также использоваться следующие символы:

|   |                     |
|---|---------------------|
|  | Сверление без удара |
|---|---------------------|





|               |   |
|---------------|---|
|               | Сверление с ударом (ударное сверление)  |
| $n_0$         | Номинальная частота вращения на холостом ходу   |
| /min          | обороты в минуту  |
| $\varnothing$ | Диаметр   |
|               | Изменение направления вращения (реверс)   |
|               | Постоянный ток  |
| Li-Ion        | Литий-ионный аккумулятор (Li-Ion)   |
|               | Изделие поддерживает технологию NFC, совместимую с платформами iOS и Android.   |
|               | Никогда не используйте аккумулятор в качестве ударного инструмента.   |
|               | Не допускайте падения аккумулятора. Не используйте аккумулятор, который получил повреждения вследствие удара или каким-либо иным образом. |

#### 1.4 Информация о шлифмашине

Шлифмашины предназначены для профессионального использования, поэтому они должны обслуживаться и ремонтироваться только уполномоченным и обученным персоналом. Этот персонал должен пройти специальный инструктаж по технике безопасности. Использование шлифмашины и ее оснастки не по назначению или ее эксплуатация необученным персоналом могут представлять опасность.

Типовое обозначение и серийный номер указаны на заводской табличке.

- ▶ Перепишите серийный номер в нижеприведенную табличную форму. Данные шлифмашины необходимы при обращении в наше представительство или сервисный центр.

##### Указания к изделию

|   |                    |
|---|--------------------|
| Дрель-шуруповерт   Ударная дрель-шуруповерт | SF 6-22   SF 6H-22 |
| Поколение                                   | 03                 |
| Серийный №                                  |                    |

#### 1.5 Декларация соответствия нормам

Настоящим фирма-изготовитель с полной ответственностью заявляет, что данное изделие соответствует действующим директивам и нормам. Копию декларации соответствия нормам см. в конце этого документа.

Техническая документация (оригиналы) хранится здесь:

Hilti Entwicklungsgesellschaft mbH | Zulassung Geräte | Hiltistraße 6 | 86916 Kaufering, Германия

## 2 Безопасность

### 2.1 Общие указания по технике безопасности для электроинструментов

**⚠ ПРЕДУПРЕЖДЕНИЕ** Изучите все указания по технике безопасности, инструкции, иллюстрации и технические данные, которые прилагаются к данному электроинструменту. Несоблюдение приводимых ниже указаний может привести к поражению электрическим током, пожару и/или тяжелым травмам.

**Сохраните все указания по технике безопасности и инструкции для следующего пользователя.**

Используемый далее термин «электроинструмент» относится к электроинструменту, работающему от электрической сети (с кабелем электропитания) и от аккумулятора (без кабеля электропитания).

#### Безопасность рабочего места

- ▶ Следите за чистотой и хорошей освещенностью на рабочем месте. Беспорядок на рабочем месте или плохое освещение могут привести к несчастным случаям.



- ▶ **Не используйте электроустройство/электроинструмент во взрывоопасной зоне, где имеются горючие жидкости, газы или пыль.** При работе электроустройство/электроинструмент искрит, и искры могут воспалить пыль или пары/газы.
- ▶ **Не разрешайте детям и посторонним приближаться к работающему электроустройству/электроинструменту.** Отвлекаясь от работы, можно потерять контроль над электроустройством/электроинструментом.

#### **Электрическая безопасность**

- ▶ **Соединительная вилка электроинструмента должна соответствовать розетке электросети. Не изменяйте конструкцию вилки! Не используйте переходные вилки с электроинструментами с защитным заземлением.** Использование оригинальных вилок и соответствующих им розеток снижает риск поражения электрическим током.
- ▶ **Избегайте непосредственного контакта с заземленными поверхностями, например с трубами, отопительными приборами, газо-/электропластинами и холодильниками.** При контакте с заземленными предметами возникает повышенный риск поражения электрическим током.
- ▶ **Предохраняйте электроинструменты от дождя или воздействия влаги.** В результате попадания воды в электроинструмент возрастает риск поражения электрическим током.
- ▶ **Не используйте кабель электропитания не по назначению, например для переноски электроинструмента, его подвешивания или для выдергивания вилки из розетки электросети. Защищайте кабель электропитания от воздействий высоких температур, масла, острых кромок или вращающихся деталей/узлов.** В результате повреждения или сжигания кабелей электропитания повышается риск поражения электрическим током.
- ▶ **Если работы с электроинструментом выполняются на открытом воздухе, применяйте только удлинительные кабели, которые разрешено использовать вне помещений.** Использование удлинительного кабеля, пригодного для использования вне помещений, снижает риск поражения электрическим током.
- ▶ **Если избежать работы с электроинструментом в условиях влажности не представляется возможным, используйте автомат защиты от тока утечки.** Использование автомата защиты от тока утечки снижает риск поражения электрическим током.

#### **Безопасность персонала**

- ▶ **Будьте внимательны, следите за своими действиями и серьезно относитесь к работе с электроинструментом. Не пользуйтесь электроинструментом, если вы устали или находитесь под действием наркотиков, алкоголя или медикаментов.** Незначительная ошибка при невнимательной работе с электроинструментом может стать причиной серьезного травмирования.
- ▶ **Используйте средства индивидуальной защиты и всегда надевайте защитные очки.** Использование средств индивидуальной защиты, например респиратора, защитной обуви на нескользящей подошве, защитной каски или защитных наушников, в зависимости от вида и условий эксплуатации электроинструмента, снижает риск травмирования.
- ▶ **Избегайте непреднамеренного включения электроинструмента. Убедитесь в том, что электроинструмент выключен, прежде чем подключить его к электропитанию и/или вставить аккумулятор, поднимать или переносить электроинструмент.** Ситуации, когда при переноске электроинструмента палец находится на выключателе или когда включенный электроинструмент подключается к электросети, могут привести к несчастным случаям.
- ▶ **Перед включением электроинструмента удалите регулировочные приспособления или гаечные ключи.** Рабочий инструмент или гаечный ключ, находящийся во вращающейся части электроинструмента, может стать причиной получения травм.
- ▶ **Старайтесь избегать неестественных поз при работе. Постоянно сохраняйте устойчивое положение и равновесие.** Это позволит лучше контролировать электроинструмент в непредвиденных ситуациях.
- ▶ **Носите спецодежду. Не надевайте очень свободную одежду или украшения. Оберегайте волосы, одежду и защитные перчатки от вращающихся узлов электроинструмента.** Свободная одежда, украшения и длинные волосы могут быть захвачены ими.
- ▶ **Если предусмотрено подсоединение устройств для удаления и сбора пыли, убедитесь в том, что они подсоединены и используются по назначению.** Использование пылеудаляющего аппарата снижает вредное воздействие пыли.
- ▶ **Не пребывайте в ложной уверенности в собственной безопасности и не пренебрегайте правилами техники безопасности для электроинструментов, даже если вы являетесь опытным пользователем электроинструмента.** Неосторожное обращение может в течение долей секунды стать причиной получения тяжелых травм.



### Использование и обслуживание электроинструмента

- ▶ **Не допускайте перегрузки электроинструмента.** Используйте электроинструмент, предназначенный именно для данной работы. Соблюдение этого правила обеспечит более высокое качество и безопасность работы в указанном диапазоне мощности.
- ▶ **Не используйте электроинструмент с неисправным выключателем.** Электроинструмент, включение или выключение которого затруднено, представляет опасность и должен быть отремонтирован.
- ▶ **Прежде чем приступить к регулировке электроинструмента, замене принадлежностей или перед перерывом в работе выньте вилку из розетки и/или аккумулятор из электроинструмента.** Данная мера предосторожности позволит предотвратить непреднамеренное включение электроинструмента.
- ▶ **Храните неиспользуемые электроинструменты в местах, недоступных для детей.** Не позволяйте использовать электроинструмент лицам, которые не ознакомлены с ним или не читали эти инструкции. Электроинструменты представляют собой опасность в руках неопытных пользователей.
- ▶ **Бережно обращайтесь с электроинструментами и принадлежностями.** Проверяйте безупречное функционирование подвижных частей, легкость их хода, целостность и отсутствие повреждений, которые могли бы отрицательно повлиять на работу электроинструмента. Сдавайте поврежденные части электроинструмента в ремонт до его использования. Причиной многих несчастных случаев является несоблюдение правил технического обслуживания электроинструментов.
- ▶ **Необходимо следить за тем, чтобы режущие инструменты были острыми и чистыми.** Заклинивание содержащихся в надлежащем состоянии режущих инструментов происходит реже, ими легче управлять.
- ▶ **Применяйте электроинструмент, принадлежности (оснастку), рабочие инструменты и т. д. согласно данным указаниям.** Учитывайте при этом рабочие условия и характер выполняемой работы. Использование электроинструментов не по назначению может привести к опасным ситуациям.
- ▶ **Замасленные рукоятки и поверхности для хвата немедленно очищайте — они должны быть сухими и чистыми.** Скользкие рукоятки и поверхности для хвата не обеспечивают безопасное управление и контроль электроинструмента в непредвиденных ситуациях.

### Использование и обслуживание аккумуляторного инструмента

- ▶ **Заряжайте аккумуляторы только с помощью зарядных устройств, рекомендованных изготовителем.** При использовании зарядного устройства для зарядки несоответствующих ему типов аккумуляторов существует опасность возгорания.
- ▶ **Используйте только оригинальные аккумуляторы, рекомендованные специально для этого электроинструмента.** Использование других аккумуляторов может привести к травмам и опасности возгорания.
- ▶ **Неиспользуемые аккумуляторы храните вдали от скрепок, монет, ключей, гвоздей, шурупов или других мелких металлических предметов, которые могут стать причиной замыкания контактов.** Замыкание контактов аккумулятора может привести к ожогам или возгоранию.
- ▶ **При неверном обращении с аккумулятором из него может вытечь электролит. Избегайте контакта с ним. При случайном контакте смойте водой. При попадании электролита в глаза немедленно обратитесь за помощью к врачу.** Вытекший из аккумулятора электролит может привести к раздражению кожи или ожогам.
- ▶ **Не используйте поврежденный или измененный аккумулятор.** Поврежденные или измененные аккумуляторы могут функционировать непредсказуемо и стать причиной возгорания, взрыва или травмирования.
- ▶ **Не подвергайте аккумулятор воздействию огня или слишком высоким температурам.** Огонь или температура свыше 130 °C могут спровоцировать взрыв аккумулятора.
- ▶ **Соблюдайте все указания по зарядке и никогда не заряжайте аккумулятор или аккумуляторный инструмент вне температурного диапазона, указанного в руководстве по эксплуатации.** Неправильная зарядка/зарядка вне указанного в руководстве по эксплуатации температурного диапазона могут привести к разрушению аккумулятора и повышают опасность возгорания.

### Сервис

- ▶ **Доверяйте ремонт своего электроинструмента только квалифицированному персоналу, использующему только оригинальные запчасти.** Этим обеспечивается поддержание электроинструмента в безопасном состоянии.



- ▶ **Категорически запрещается выполнять обслуживание поврежденных аккумуляторов.** Все технические работы с аккумуляторами должны выполняться только производителем или авторизованными сервисными мастерами.

## 2.2 Указания по технике безопасности при работе с дрелями

### Указания по технике безопасности при выполнении любых работ

- ▶ **При сверлении с ударом пользуйтесь защитными наушниками.** В результате воздействия шума возможна потеря слуха.
- ▶ **Используйте дополнительную рукоятку.** Потеря контроля над электроинструментом может привести к травмам.
- ▶ **При опасности повреждения рабочим инструментом или шурупами скрытой электропроводки держите электроинструмент за изолированные поверхности для хвата.** При контакте с токопроводящей линией металлические части электроинструмента также находятся под напряжением, что может привести к удару электрическим током.

### Указания по технике безопасности при использовании длинных сверл

- ▶ **Категорически запрещается превышать максимально допустимую частоту вращения, предписанную для эксплуатации сверла.** В противном случае сверло может легко деформироваться, если оно будет свободно вращаться без контакта с заготовкой, и травмировать пользователя.
- ▶ **Процесс сверления всегда начинайте с низкой частотой вращения. При этом сверло должно контактировать с заготовкой.** В противном случае сверло может легко деформироваться, если оно будет свободно вращаться без контакта с заготовкой, и травмировать пользователя.
- ▶ **Не прижимайте сверло с чрезмерным усилием. При сверлении следите за тем, чтобы прилагаемое усилие было направлено (распределялось) по оси сверла.** Сверла могут деформироваться и вследствие этого ломаться или возможна потеря контроля, что, в свою очередь, может привести к получению травм.

## 2.3 Дополнительные указания по технике безопасности при работе с шуруповертом

- ▶ Используйте электроинструмент и его принадлежности только в технически исправном состоянии.
- ▶ Внесение изменений в конструкцию электроинструмента/принадлежностей или его/их модификация категорически запрещаются.
- ▶ Перед началом работы проверьте рабочую зону на наличие скрытой электропроводки, газо- и водопроводных труб. Открытые металлические части электроинструмента могут стать проводниками электрического тока или привести к взрыву, если случайно задеть (повредить) электропроводку, газо- или водопровод.
- ▶ Пыль, возникающая при шлифовании, абразивной обработке, резке и сверлении, может содержать опасные химические вещества. Несколько примеров материалов, содержащих опасные вещества: свинец или краски на свинцовой основе; кирпич, бетон и другие материалы для кладки, природный камень и другие силикатсодержащие изделия; определенные виды древесины, такие как дуб, бук и химически обработанная древесина; асбест или материалы, содержащие асбест. Определите степень воздействия на оператора и окружающих лиц по классу опасности обрабатываемых материалов. Примите необходимые меры для обеспечения безопасного уровня воздействия, например, путем использования подходящих систем пылеудаления или ношения подходящих средств защиты органов дыхания. Общие меры по снижению опасного воздействия:
  - ▶ Работайте в хорошо проветриваемом помещении.
  - ▶ Избегайте длительного контакта с пылью.
  - ▶ Удаляйте пыль с лица и тела.
  - ▶ Носите защитную одежду и промывайте открытые участки, подверженные воздействию, водой с мылом.
- ▶ Опасность травмирования вследствие падения инструментов и/или принадлежностей. Перед началом работы убедитесь в том, что аккумулятор и установленная принадлежность надежно закреплены.
- ▶ При сквозном сверлении ограждайте опасную зону с противоположной стороны стены. Вылетающие наружу или падающие вниз осколки могут травмировать других людей.
  - ▶ При внезапном просверливании стены электроинструментом вы можете потерять равновесие. Следите за своим устойчивым положением и равновесием при выполнении сверлильных работ на стенах или потолочных перекрытиях.
- ▶ Не используйте затупившиеся биты.



- ▶ Используйте дополнительные рукоятки, которые входят в комплект электроинструмента. Потеря контроля над электроинструментом может привести к травмам. Убедитесь в том, что дополнительная рукоятка установлена правильно и надежно закреплена.
- ▶ Включайте электроинструмент только после того, как вы приведете его в рабочее положение.
- ▶ Всегда надежно удерживайте электроинструмент обеими руками за предусмотренные для этого рукоятки. Следите за тем, чтобы рукоятки были сухими и чистыми.
- ▶ Всегда следите за чистотой вентиляционных прорезей. Опасность возгорания вследствие перекрывания вентиляционных прорезей!
- ▶ Не прикасайтесь к вращающимся деталям/узлам электроинструмента — опасность травмирования!
- ▶ При выполнении работ с электроинструментом надевайте защитные очки, защитную каску, защитные наушники и подходящие респираторы.
- ▶ Пользуйтесь защитными очками. Осколки материала могут травмировать тело и глаза.
- ▶ Запрещается прямой визуальный контакт с подсветкой (светодиодной) электроинструмента! Запрещается направлять ее в лицо другим людям — опасность временного ослепления!
- ▶ Чтобы во время работы руки не затекали, время от времени делайте перерывы и упражнения для расслабления и разминки пальцев. Возникающие при длительной работе вибрации могут привести к нарушениям кровоснабжения сосудов или в нервных окончаниях пальцев/кистей рук или в запястьях.
- ▶ Дождитесь полной остановки электроинструмента, прежде чем убирать его в сторону.
- ▶ При замене рабочего инструмента надевайте защитные перчатки. Соблюдайте осторожность при замене рабочего инструмента — контакт с ним может привести к порезам и ожогам.

## 2.4 Аккуратное обращение с аккумуляторами и их правильное использование

- ▶ **Соблюдайте следующие указания по технике безопасности для безопасного обращения и использования литий-ионных аккумуляторов.** Их несоблюдение может привести к раздражениям кожи, серьезным травмам, химическим ожогам, возгоранию и/или взрывам.
- ▶ Используйте аккумуляторы только в технически исправном состоянии.
- ▶ Обращайтесь с аккумуляторами осторожно, чтобы не допустить повреждений и предотвратить выход жидкостей, представляющих серьезную опасность для здоровья!
- ▶ Категорически запрещается вносить изменения в конструкцию аккумуляторов или выполнять недопустимые манипуляции с ними!
- ▶ Запрещается разбирать, сдавливать, нагревать до температуры свыше 80 °С или сжигать аккумуляторы.
- ▶ Не используйте или не заряжайте аккумуляторы, которые подвергались механическому (ударным) нагрузкам или получили повреждение каким-либо иным образом. Регулярно проверяйте используемые вами аккумуляторы на признаки повреждений.
- ▶ Категорически запрещается использовать восстановленные аккумуляторы или аккумуляторы после вторичной переработки.
- ▶ Категорически запрещается использовать аккумулятор или работающие от аккумулятора электроинструменты в качестве ударного инструмента.
- ▶ Категорически запрещается подвергать аккумуляторы воздействию прямого солнечного излучения, высокой температуры, искр или открытого пламени. Это может привести к взрывам.
- ▶ Не касайтесь аккумуляторных клемм (полюсов) пальцами, рабочими инструментами, украшениями или иными токопроводящими предметами. Это можно повредить аккумулятор, а также привести к материальному ущербу и травмам.
- ▶ Предохраняйте аккумуляторы от дождя, повышенной влажности и жидкостей. Проникшая влага может привести к коротким замыканиям, ударам электрическим током, ожогам, возгоранию или взрывам.
- ▶ Используйте только допущенные для данного типа аккумуляторов зарядные устройства и электроинструменты. Соблюдайте указания, приводимые в соответствующих руководствах по эксплуатации.
- ▶ Не используйте или не храните аккумулятор во взрывоопасных зонах.



- Слишком сильный нагрев аккумулятора (такой, что до него невозможно дотронуться) указывает на его возможный дефект. Разместите аккумулятор на безопасном расстоянии от воспламеняющихся материалов в хорошо просматриваемом и пожаробезопасном месте. Дайте остыть аккумулятору. Если по истечении одного часа аккумулятор все еще остается таким горячим, что его нельзя взять в руки, это означает, что он неисправен. Обратитесь в сервисную службу **Hilti** или изучите документ «Указания по технике безопасности и использованию литий-ионных аккумуляторов **Hilti**».

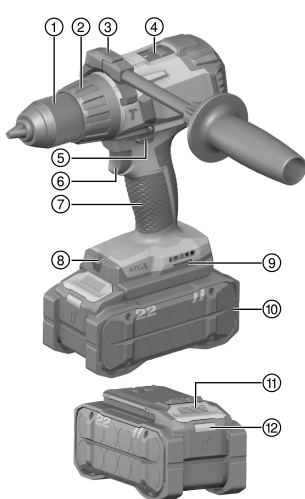


Соблюдайте специальные директивы по транспортировке, хранению и использованию литий-ионных аккумуляторов. → страница 38

Ознакомьтесь с указаниями по технике безопасности и использованию литий-ионных аккумуляторов **Hilti**, которые можно посмотреть путем сканирования QR-кода в конце этого руководства по эксплуатации.

### 3 Описание

#### 3.1 Обзор изделия 1



- ① Быстрозажимной патрон
- ② Кольцо регулировки крутящего момента и установки режимов
- ③ Боковая рукоятка
- ④ Переключатель ступеней скорости (частоты) вращения
- ⑤ Переключатель правого/левого вращения с кнопкой блокировки при переноске
- ⑥ Основной выключатель с электронной регулировкой частоты вращения
- ⑦ Рукоятка
- ⑧ Рабочее освещение (светодиодное)
- ⑨ Монтажное отверстие для принадлежностей
- ⑩ Аккумулятор
- ⑪ Кнопка деблокировки аккумулятора
- ⑫ Индикатор статуса аккумулятора

#### 3.2 Использование по назначению

Данный электроинструмент представляет собой ручную аккумуляторную дрель-шурупверт, предназначенную для сверления стали, древесины, пластмассы, легкого бетона и кирпичной кладки, а также для заворачивания и выворачивания шурупов.

- Для этого электроинструмента используйте только литий-ионные аккумуляторы **Hilti** Nuron серии В 22. Для обеспечения оптимальной мощности **Hilti** рекомендует использовать с этим электроинструментом аккумуляторы, указанные в таблице в конце этого руководства по эксплуатации.
- Для зарядки этих аккумуляторов используйте только зарядные устройства **Hilti**, указанные в таблице в конце этого руководства по эксплуатации.

#### 3.3 АТС

Электроинструмент оснащен системой экстренного электронного отключения электродвигателя АТС (Active Torque Control).

В случае блокировки или заклинивания рабочего инструмента электроинструмент начинает внезапное неконтролируемое вращение в противоположном направлении. Система АТС распознает это внезапное вращательное движение электроинструмента и мгновенно отключает его.



Для надлежащей работы электроинструмента необходимо обеспечить его функцию вращения. После экстренного отключения выключите электроинструмент, а затем снова включите его.



### 3.4 Индикатор перегрузки и перегрева

Электроинструмент оснащен электронной системой защиты от перегрузки и перегрева. При перегрузке/перегреве электроинструмент автоматически выключается. Кратковременное отпусkanie и последующее нажатие выключателя могут привести к задержкам включения (обусловлены фазами охлаждения электроинструмента).

### 3.5 Индикации состояния литий-ионного аккумулятора

Литий-ионные аккумуляторы **Hilti** Nuron оснащены светодиодами для индикации уровня заряда, сигналов ошибки и состояния батареи.

#### 3.5.1 Индикация уровня заряда и сигналов ошибки

#### ПРЕДУПРЕЖДЕНИЕ

##### Опасность травмирования вследствие падения аккумулятора!

- При вставленном аккумуляторе путем нажатия кнопки разблокировки убедитесь в правильной повторной фиксации аккумулятора в используемом электроинструменте.

Для получения одной из следующих индикаций коротко нажмите кнопку разблокировки аккумулятора. Уровень заряда, а также возможные неисправности также отображаются в течение всего времени, пока подключенный (к аккумулятору) электроинструмент включен.

| Состояние   | Значение   |
|---|--|
| Четыре (4) светодиода непрерывно горят зеленым.       | Уровень заряда: от 100 % до 71 %   |
| Три (3) светодиода непрерывно горят зеленым.          | Уровень заряда: от 70 % до 51 %  |
| Два (2) светодиода непрерывно горят зеленым.          | Уровень заряда: от 50 % до 26 %  |
| Один (1) светодиод непрерывно горит зеленым.          | Уровень заряда: от 25 % до 10 %  |
| Один (1) светодиод мигает зеленым с низкой частотой.  | Уровень заряда: < 10 %   |
| Один (1) светодиод мигает зеленым с высокой частотой. | Литий-ионный аккумулятор полностью разряжен. Зарядите аккумулятор.<br>Если светодиод после зарядки аккумулятора все еще мигает с высокой частотой, обратитесь в сервисную службу <b>Hilti</b> .  |
| Один (1) светодиод мигает желтым с высокой частотой.  | Литий-ионный аккумулятор или подключенный к нему электроинструмент перегружены, слишком горячие, слишком холодные или имеет место другая ошибка.<br>Обеспечьте доведение электроинструмента и аккумулятора до рекомендуемой рабочей температуры и не перегружайте электроинструмент при его использовании.<br>Если сигнал остается, обратитесь в сервисную службу <b>Hilti</b> . |
| Один (1) светодиод горит желтым.                      | Литий-ионный аккумулятор и сопряженный с ним электроинструмент не совместимы друг с другом. Обратитесь в сервисный центр <b>Hilti</b> .  |
| Один (1) светодиод мигает красным с высокой частотой. | Литий-ионный аккумулятор заблокирован и его дальнейшее использование невозможно. Обратитесь в сервисный центр <b>Hilti</b> .   |

#### 3.5.2 Индикаторы состояния аккумулятора

Для запроса состояния аккумулятора удерживайте кнопку разблокировки нажатой в течение более 3 с. Система не распознает потенциальное нарушение работы аккумуляторной батареи вследствие неправильного обращения, например, падения, проколов, внешнего термического воздействия и т. д.



| Состояние   | Значение  |
|---|---|
| Все светодиоды загораются в виде бегущего огня, после чего один (1) светодиод горит зеленым.                    | Аккумулятор можно продолжать использовать.  |
| Все светодиоды загораются в виде бегущего огня, после чего один (1) светодиод мигает желтым с высокой частотой. | Не удалось завершить запрос состояния аккумулятора. Повторите процесс или обратитесь в сервисную службу <b>Hilti</b> .  |
| Все светодиоды загораются в виде бегущего огня, после чего один (1) светодиод горит красным.                    | В случае возможности дальнейшего использования подключенного электроинструмента оставшаяся емкость аккумулятора составляет ниже 50 %.<br>Если подключенный электроинструмент больше использовать невозможно, ресурс аккумулятора исчерпан и аккумулятор следует заменить. Обратитесь в сервисный центр <b>Hilti</b> . |

### 3.6 Комплект поставки

Дрель-шуруповерт, боковая рукоятка, руководство по эксплуатации

Другие системные принадлежности, допущенные для использования с этим изделием, вы можете найти в **Hilti Store** или на сайте **www.hilti.group**

## 4 Технические данные

|   | SF 6-22                | SF 6H-22                  |
|---|------------------------|---------------------------|
| Номинальное напряжение  | 21,6 В пост.тока       | 21,6 В пост.тока          |
| Масса по EPTA Procedure 01 без аккумулятора                     | 2,0 кг                 | 2,0 кг                    |
| Частота вращения  | 1-я ступень (скорости) | 0 об/мин ... 490 об/мин   |
|   | 2-я ступень (скорости) | 0 об/мин ... 2 000 об/мин |
| Крутящий момент (заворачивание в мягкий материал) $\frac{1}{2}$ | ≤ 65 Н·м               | ≤ 65 Н·м                  |
| Частота ударов  | */*                    | 36 000 об/мин             |
| Температура окружающей среды при эксплуатации                   | -17 °C ... 60 °C       | -17 °C ... 60 °C          |
| Температура хранения  | -20 °C ... 70 °C       | -20 °C ... 70 °C          |

### 4.1 Аккумулятор

|   |   |
|---|---|
| Рабочее напряжение аккумулятора               | 21,6 В  |
| Масса аккумулятора                            | См. в конце этого руководства по эксплуатации |
| Температура окружающей среды при эксплуатации | -17 °C ... 60 °C                              |
| Температура хранения                          | -20 °C ... 40 °C                              |
| Температура аккумулятора в начале зарядки     | -10 °C ... 45 °C                              |

### 4.2 Допустимые диаметры для рабочих (сменных) инструментов

|   | SF 6-22          | SF 6H-22         |
|---|------------------|------------------|
| Ø (диапазон) зажимаемых хвостовиков быстро-зажимного сверлильного патрона | 1,5 мм ... 13 мм | 1,5 мм ... 13 мм |
| Ø сверла по древесине (твердая древесина)                                 | 1,5 мм ... 20 мм | 1,5 мм ... 20 мм |
| Ø сверла по древесине (мягкая древесина)                                  | 1,5 мм ... 32 мм | 1,5 мм ... 32 мм |





|   | SF 6-22          | SF 6H-22         |
|---|------------------|------------------|
| Ø сверла по металлу                                       | 1,5 мм ... 13 мм | 1,5 мм ... 13 мм |
| Ø сверления в бетоне/кирпичной кладке (ударное сверление) | */*              | 4 мм ... 12 мм   |

#### 4.3 Данные по шуму и вибрациям согласно EN 62841

Приводимые здесь значения уровня звукового давления и вибрации были измерены согласно стандартизированной процедуре измерения и могут использоваться для сравнения электроинструментов между собой. Они также подходят для предварительной оценки вредных воздействий.

Указанные данные применимы к основным областям применения электроинструмента. Однако, если электроинструмент используется для других целей, с другими рабочими (сменными) инструментами или в случае его неудовлетворительного технического обслуживания, данные могут быть иными. Вследствие этого в течение всего периода работы электроинструмента возможно значительное увеличение вредных воздействий.

Для точного определения вредных воздействий следует также учитывать промежутки времени, в течение которых электроинструмент находится в выключенном состоянии или работает вхолостую. Вследствие этого в течение всего периода работы электроинструмента возможно заметное уменьшение вредных воздействий.

Примите дополнительные меры безопасности для защиты пользователя от воздействия возникающего шума и/или вибраций, например: техническое обслуживание электроинструмента и рабочих (сменных) инструментов, сохранение тепла рук, правильная организация рабочих процессов.

#### Значения уровня шума

|  | SF 6-22    | SF 6H-22    |
|--|------------|-------------|
| Значение уровня звукового давления ( $L_{pA}$ )    | 74,5 дБ(A) | 94,5 дБ(A)  |
| Погрешность уровня звукового давления ( $K_{pA}$ ) | 5 дБ(A)    | 5 дБ(A)     |
| Уровень звуковой мощности ( $L_{WA}$ )             | 85,5 дБ(A) | 105,5 дБ(A) |
| Погрешность уровня звуковой мощности ( $K_{WA}$ )  | 5 дБ(A)    | 5 дБ(A)     |

#### Общие значения вибрации

|  |          | SF 6-22              | SF 6H-22              |
|--|----------|----------------------|-----------------------|
| Значение вибрации при сверлении в металле ( $a_{h, v}$ )         | B 22-85  | 1,0 м/с <sup>2</sup> | 1,2 м/с <sup>2</sup>  |
|  | B 22-170 | 0,7 м/с <sup>2</sup> | 1,1 м/с <sup>2</sup>  |
| Погрешность при сверлении в металле (K)                          |          | 1,5 м/с <sup>2</sup> | 1,5 м/с <sup>2</sup>  |
| Значение вибрации при ударном сверлении в бетоне ( $a_{h, iD}$ ) | B 22-85  | */*                  | 11,9 м/с <sup>2</sup> |
|  | B 22-170 | */*                  | 10,6 м/с <sup>2</sup> |
| Погрешность при ударном сверлении в бетоне (K)                   |          | */*                  | 1,5 м/с <sup>2</sup>  |

## 5 Подготовка к работе



### ПРЕДУПРЕЖДЕНИЕ

#### Опасность травмирования вследствие непреднамеренного пуска!

- ▶ Перед установкой аккумулятора убедитесь в том, что соответствующий электроинструмент выключен.
- ▶ Прежде чем приступить к регулировке электроинструмента или замене принадлежностей выньте аккумулятор из электроинструмента.

Соблюдайте указания по технике безопасности и предупреждающие указания, приводимые в данном документе и на изделии.

#### 5.1 Зарядка аккумулятора

1. Перед зарядкой изучите руководство по эксплуатации зарядного устройства.
2. Убедитесь в том, что контакты аккумулятора и зарядного устройства чистые и сухие.
3. Заряжайте аккумулятор только в допущенном к эксплуатации зарядном устройстве. → страница 32



## 5.2 Установка аккумулятора

### ПРЕДУПРЕЖДЕНИЕ

**Опасность травмирования вследствие короткого замыкания или падения аккумулятора!**

- ▶ Перед установкой аккумулятора убедитесь в чистоте его контактов и контактов электроинструмента.
- ▶ Всегда проверяйте, правильно ли зафиксирован аккумулятор.

1. Перед первым вводом в эксплуатацию полностью зарядите аккумулятор.
2. Прижмите аккумулятор так, чтобы он зафиксировался в аккумуляторном отсеке с характерным щелчком.
3. Проверьте надежность фиксации аккумулятора.

## 5.3 Извлечение аккумулятора

1. Нажмите кнопку деблокировки аккумулятора.
2. Извлеките аккумулятор из инструмента.

## 5.4 Установка боковой рукоятки 2

### ОСТОРОЖНО

**Опасность травмирования!** Потеря контроля над электроинструментом.

- ▶ Убедитесь в том, что боковая рукоятка правильно установлена и надежно закреплена. Убедитесь в том, что зажимы правильно установлены в предназначенных для них пазах.

1. Поверните рукоятку, чтобы расфиксировать зажимы боковой рукоятки.
2. Полностью установите фиксатор боковой рукоятки на корпус и задвиньте зажимы в предназначенные для них пазы.
3. Поверните рукоятку, чтобы зажать фиксатор боковой рукоятки.

## 5.5 Установка рабочего инструмента 3

1. Разблокируйте быстрозажимной патрон.
2. Вставьте рабочий инструмент в зажимной патрон.
3. Затяните быстрозажимной патрон.
4. Проверьте надежность фиксации рабочего инструмента.

## 5.6 Защита от падения

### ПРЕДУПРЕЖДЕНИЕ

**Опасность травмирования** вследствие падения электроинструмента и/или принадлежности!

- ▶ Используйте только предусмотренный для этого электроинструмента удерживающий трос Hilti для инструментов.
- ▶ Перед каждым использованием проверяйте точку крепления удерживающего троса для инструментов на возможные повреждения.
- ▶ Не закрепляйте удерживающий трос для инструментов на крепежном крючке. Не используйте крепежный крючок для подъема электроинструмента.



Соблюдайте национальные директивы по выполнению высотных работ.

Для защиты этого электроинструмента от падения используйте только комбинацию из предохранителя Hilti для предупреждения случайного срабатывания при ударе и удерживающего троса для инструментов Hilti #2261970.

- ▶ Закрепляйте предохранитель для предупреждения случайного срабатывания при ударе в монтажных отверстиях для принадлежностей. Проверьте надежность фиксации.



- ▶ Закрепляйте один крючок-карабин удерживающего троса для инструментов на предохранителе для предупреждения случайного срабатывания при ударе, а второй — на несущей конструкции. Проверяйте надежность фиксации.

Соблюдайте указания из руководств по эксплуатации предохранителя Hilti для предупреждения случайного срабатывания при ударе, а также удерживающего троса для инструментов Hilti.

## 6 Управление

### ОСТОРОЖНО

#### Опасность травмирования вследствие блокировки (заклинивания) рабочего инструмента !

- ▶ Убедитесь в том, что боковая рукоятка правильно установлена и надежно закреплена. Всегда надежно удерживайте электроинструмент обеими руками за предусмотренные для этого рукоятки.
- ▶ Надевайте защитные очки, чтобы защитить себя от частиц/осколков обрабатываемого материала.

Соблюдайте указания по технике безопасности и предупреждающие указания, приводимые в данном документе и на изделии.

### 6.1 Выбор скорости (ступени)

- ▶ Выберите скорость.

### 6.2 Регулировка правого/левого вращения

- ▶ Установите переключатель правого/левого вращения в положение правого или левого вращения.

### 6.3 Выключение

- ▶ Нажмите на выключатель.
  - ▶ Электроинструмент начнет работать.

Частоту вращения можно плавно регулировать соразмерным нажатием на выключатель.

### 6.4 Заворачивание

- ▶ Установите нужный крутящий момент посредством кольца регулировки крутящего момента и установки режима работы.

### 6.5 Сверление

- ▶ Установите кольцо регулировки крутящего момента и выбора режима работы на символ

### 6.6 Ударное сверление (сверление с ударом)

- ▶ Установите кольцо регулировки крутящего момента и выбора режима работы на символ

### 6.7 Выключение

- ▶ Отпустите выключатель.
  - ▶ Электроинструмент выключится.

## 7 Уход и техническое обслуживание

### ПРЕДУПРЕЖДЕНИЕ

#### Опасность травмирования при установленном аккумуляторе !

- ▶ Перед проведением любых работ по уходу и обслуживанию всегда извлекайте аккумулятор!

#### Уход за электроинструментом

- Удаляйте налипшую грязь с осторожностью.
- Осторожно очищайте вентиляционные прорези (при наличии) сухой мягкой щеткой.



- Очищайте корпус только слегка увлажненной тканью. Не используйте средства по уходу с содержанием силикона, поскольку они могут повредить пластиковые детали.
- Для очистки контактов электроинструмента используйте чистую сухую тряпку.

#### Уход за литий-ионными аккумуляторами

- Категорически запрещается использовать аккумулятор с забитыми вентиляционными прорезями. Осторожно очистите вентиляционные прорези сухой мягкой щеткой.
- Не допускайте чрезмерного запыления или загрязнения аккумулятора. Категорически запрещается подвергать аккумулятор чрезмерному воздействию влаги (например, опускать его в воду или оставлять под дождем).

Если аккумулятор промокнет, обращайтесь с ним, как с поврежденным. Поместите его в контейнер из негорючего материала и обратитесь в сервисную службу **Hilti**.

- Аккумулятор должен быть чистым, без следов масла и смазки. Не допускайте чрезмерного скопления пыли или грязи на аккумуляторе. Очищайте аккумулятор сухой мягкой кистью или чистой и сухой тряпкой. Не используйте средства по уходу с содержанием силикона, поскольку они могут повредить пластиковые детали.  
Не прикасайтесь к контактам аккумулятора и не удаляйте с них смазку, нанесенную на заводе.
- Очищайте корпус только слегка увлажненной тканью. Не используйте средства по уходу с содержанием силикона, поскольку они могут повредить пластиковые детали.

#### Техническое обслуживание

- Регулярно проверяйте все видимые части электроинструмента на отсутствие повреждений, а элементы управления — на исправное функционирование.
- При повреждениях и/или функциональных сбоях не используйте электроинструмент. Немедленно сдайте электроинструмент для ремонта в сервисный центр **Hilti**.
- После ухода за электроинструментом и его технического обслуживания установите все защитные приспособления на место и проверьте их исправное функционирование.



Для обеспечения безопасной эксплуатации используйте только оригинальные запасные части и расходные материалы. Допущенные **Hilti** запасные части, расходные материалы и принадлежности для этого электроинструмента вы можете найти в **Hilti Store** или на: [www.hilti.group](http://www.hilti.group)

## 8 Транспортировка и хранение аккумуляторных инструментов и аккумуляторов

### Транспортировка

#### ОСТОРОЖНО

#### Непреднамеренное включение в ходе транспортировки !

- ▶ При транспортировке своих электроинструментов всегда отсоединяйте от них аккумуляторы!
- ▶ Извлеките аккумулятор(ы).
- ▶ Категорически запрещается транспортировать аккумуляторы без упаковки (бестарным способом). Во время транспортировки необходимо принять меры по защите аккумуляторов от сильных ударов и вибраций и изолировать их от любых токопроводящих материалов или других аккумуляторов, чтобы не допустить их контакта с клеммами других аккумуляторов и, как следствие этого, короткого замыкания. **Соблюдайте действующие предписания по транспортировке аккумуляторов.**
- ▶ Запрещается пересылать аккумуляторы по почте. Обратитесь в транспортно-экспедиционную компанию, если вы хотите переслать поврежденные аккумуляторы.
- ▶ Перед каждым использованием, а также перед длительной транспортировкой и после нее проверьте электроинструмент и аккумуляторы на отсутствие повреждений.

### Хранение

#### ПРЕДУПРЕЖДЕНИЕ

#### Непреднамеренное повреждение вследствие неисправных или протекающих аккумуляторов !

- ▶ При хранении своих электроинструментов всегда отсоединяйте от них аккумуляторы!
- ▶ По возможности храните фонарь и аккумуляторы в сухом и прохладном месте. Соблюдайте ограничения по температуре, приводимые в технических характеристиках.
- ▶ Не храните аккумуляторы на зарядном устройстве. После зарядки всегда извлекайте аккумулятор из зарядного устройства.
- ▶ Никогда не оставляйте аккумуляторы на солнце, на нагревательных/отопительных элементах или за стеклом.
- ▶ Храните фонарь и аккумуляторы в недоступном для детей и посторонних лиц месте.



- ▶ Перед каждым использованием, а также перед длительным хранением и после него проверяйте электроинструмент и аккумуляторы на отсутствие повреждений.

## 9 Помощь при неисправностях

При любых неисправностях следите за индикатором уровня заряда и неисправностей аккумулятора. См. главу **Индикации состояния литий-ионного аккумулятора**.

В случае неисправностей, которые не указаны в этой таблице или которые вы не можете устранить самостоятельно, обращайтесь в ближайший сервисный центр **Hilti**.

| Неисправность   | Возможная причина  | Решение   |
|---|--|---|
| Шлифмашина не работает.                                   | Аккумулятор неправильно установлен.  | ▶ Вставьте аккумулятор.<br>→ страница 36  |
| Выключатель не нажимается или заблокирован.               | Переключатель правого/левого вращения находится в среднем положении (положение для транспортировки).   | ▶ Установите переключатель правого/левого вращения в положение правого или левого вращения. → страница 37   |
| Сильный нагрев пилы или аккумулятора                      | Электрическая неисправность  | ▶ Выключайте электроинструмент, прежде чем извлекать аккумулятор. Дайте остыть аккумулятору под наблюдением. Свяжитесь с сервисной службой <b>Hilti</b> . |
| Светодиодные индикаторы аккумулятора ничего не показывают | Дефект аккумулятора  | ▶ Обратитесь в сервисный центр <b>Hilti</b> .   |
| <b>SF 6H-22</b><br>Ударное сверление невозможно.          | Неправильно установлен режим работы на кольце регулировки крутящего момента и установки режима работы. | ▶ Переведите кольцо регулировки крутящего момента и установки режима работы на режим «Ударное сверление»  |

## 10 Утилизация



### ПРЕДУПРЕЖДЕНИЕ

**Опасность травмирования вследствие неправильной утилизации!** Опасность для здоровья вследствие выхода газов или жидкостей.

- ▶ Не пересылайте поврежденные аккумуляторы!
- ▶ Закрывайте аккумуляторные контакты не проводящим ток материалом, чтобы избежать коротких замыканий.
- ▶ Утилизируйте аккумуляторы так, чтобы исключить их попадание в руки детей.
- ▶ Утилизируйте аккумулятор через ближайший **Hilti Store** или обратитесь в специализированную фирму по утилизации.

Большинство материалов, из которых изготовлены изделия **Hilti**, подлежат вторичной переработке. Перед утилизацией следует тщательно рассортировать материалы (для удобства их последующей переработки). Во многих странах фирма **Hilti** уже организовала прием бывших в использовании электрических и электронных устройств (инструментов, приборов) для утилизации. Дополнительную информацию по этому вопросу можно получить в отделе по обслуживанию клиентов или у консультантов по продажам фирмы **Hilti**.



- ▶ Не выбрасывайте электрические инструменты, электронные устройства/приборы и аккумуляторы вместе с обычным мусором!

## 11 Гарантия производителя

- ▶ С вопросами по поводу гарантийных условий обращайтесь в ближайшее представительство **Hilti**.



## 12 **Дополнительная информация**

Дополнительную информацию относительно управления, технического оснащения, защиты окружающей среды и повторного использования см. по следующей ссылке: [qr.hilti.com/manual/?id=2275217&id=2275219](http://qr.hilti.com/manual/?id=2275217&id=2275219)

Эта ссылка также приводится в конце документа в виде QR-кода.

# Оригінальна інструкція з експлуатації

## 1 **Інформація про документацію**

### 1.1 **Інформація про цей документ**

- Перш ніж розпочинати роботу з інструментом, прочитайте цей документ. Це є передумовою безпечної роботи та відсутності несправностей під час застосування інструмента.
- Дотримуйтеся попереджувальних вказівок та вказівок з техніки безпеки, наведених у цьому документі та на корпусі інструмента.
- Завжди зберігайте інструкцію з експлуатації поблизу інструмента та передавайте інструмент іншим особам лише разом з інструкцією.

### 1.2 **Пояснення символів**

#### 1.2.1 **Попереджувальні вказівки**

Попереджувальні вказівки інформують користувача про фактори небезпеки, пов'язані із застосуванням інструмента. Використовуються такі сигнальні слова:

#### **НЕБЕЗПЕКА**

##### **НЕБЕЗПЕКА !**

- Указує на безпосередню небезпеку, що може призвести до отримання тяжких тілесних ушкоджень або навіть до смерті.

#### **ПОПЕРЕДЖЕННЯ**

##### **ПОПЕРЕДЖЕННЯ !**

- Указує на потенційно небезпечну ситуацію, яка може призвести до отримання тяжких тілесних ушкоджень або навіть смерті.







#### **ОБЕРЕЖНО**

##### **ОБЕРЕЖНО !**

- Указує на потенційно небезпечну ситуацію, яка може призвести до отримання тілесних ушкоджень або до матеріальних збитків.

#### 1.2.2 **Символи в інструкції з експлуатації**

У цій інструкції з експлуатації використовуються такі символи:

|   |   |
|---|---|
|  | Дотримуйтеся вказівок, наведених в інструкції з експлуатації                        |
|  | Указівки щодо експлуатації та інша корисна інформація                               |
|  | Поводження з матеріалами, придатними для вторинної переробки                        |
|  | Не викидайте електроінструменти і акумуляторні батареї у баки для побутового сміття |
|  | <b>Hilti</b> Літій-іонна акумуляторна батарея                                       |
|  | <b>Hilti</b> Зарядний пристрій  |



### 1.2.3 Символи на ілюстраціях

На ілюстраціях використовуються такі символи:

|   |  |
|---|--|
|   | Цифрами позначаються відповідні ілюстрації, наведені на початку цієї інструкції з експлуатації.  |
| 3 | Нумерація відображає послідовність робочих кроків на ілюстраціях та може відрізнятися від нумерації у тексті.                                  |
|   | Номера позицій, наведені на <b>оглядовій ілюстрації</b> , відповідають номерам у легенді, що представлена у розділі « <b>Огляд продукту</b> ». |
|   | Цей символ позначає аспекти, на які слід звернути особливу увагу під час застосування інструмента.   |

## 1.3 Символи, що обумовлені типом інструмента

### 1.3.1 Додаткові символи

На інструменті або у цьому документі можуть бути додатково наведені такі символи:

|               |   |
|---------------|---|
|               | Безударне свердління  |
|               | Ударне свердління   |
| $n_0$         | Номінальна швидкість обертання під час холостого ходу   |
| /min          | Кількість обертів на хвилину  |
| $\varnothing$ | Діаметр   |
|               | Обертання за годинниковою стрілкою/проти годинникової стрілки   |
|               | Постійний струм   |
| Li-Ion        | Літій-іонна акумуляторна батарея  |
|               | Інструмент підтримує технологію NFC та є сумісним із платформами iOS та Android.  |
|               | Ніколи не використовуйте акумуляторну батарею у якості ударного інструмента.  |
|               | Не допускайте падіння акумуляторної батареї. Не використовуйте акумуляторну батарею, яка зазнала ударного навантаження або була пошкоджена іншим чином. |

## 1.4 Інформація про інструмент

Інструменти призначені для професійного використання, а тому їхню експлуатацію, технічне обслуговування та ремонт слід доручати лише авторизованому персоналу зі спеціальною підготовкою. Цей персонал повинен бути спеціально проінструктований про можливі ризики. Інструмент та допоміжне приладдя можуть стати джерелом небезпеки у разі їхнього неправильного застосування некваліфікованим персоналом або у разі використання не за призначенням.

Тип та серійний номер зазначені на заводській табличці.

- ▶ Перепишіть серійний номер у наведену нижче таблицю. При оформленні запитів до нашого представництва та до сервісної служби вказуйте інформацію про інструмент.

#### Інформація про інструмент

|                                     |                    |
|-------------------------------------|--------------------|
| Шурупокрут   шурупокрут ударної дії | SF 6-22   SF 6H-22 |
| Версія                              | 03                 |
| Серійний номер                      |                    |



## 1.5 Сертифікат відповідності

Виробник зі всією належною відповідальністю заявляє, що описаний у цьому документі інструмент відповідає чинному законодавству і стандартам. Копія сертифіката відповідності наведена у кінці цього документа.

Технічна документація зазначена нижче:

Hilti Entwicklungsgesellschaft mbH | Zulassung Geräte | Hiltistraße 6 | 86916 Kaufering, DE

## 2 Безпека

### 2.1 Загальні вказівки з техніки безпеки при роботі з електроінструментами

**⚠ ПОПЕРЕДЖЕННЯ!** Уважно прочитайте усі вказівки та інструкції з техніки безпеки, ознайомтеся з малюнками та технічними даними цього електроінструмента. Щонайменше недотримання наведених нижче вказівок може призвести до ураження електричним струмом, займання та/або отримання тяжких травм.

**Збережіть всі інструкції та вказівки з техніки безпеки – вони можуть знадобитися Вам у майбутньому.**

Термін «електроінструмент», який використовується у вказівках з техніки безпеки, позначає як електроінструменти, що працюють від електричної мережі (із кабелем живлення), так і електроінструменти, що працюють від акумуляторної батареї (без кабелю живлення).

#### Безпека на робочому місці

- ▶ **Дбайте про чистоту та достатнє освітлення робочого місця.** Безлад на робочому місці та недостатнє освітлення можуть стати причиною нещасних випадків.
- ▶ **Не працюйте з електроінструментом у вибухонебезпечному середовищі, що містить легкозаймисті рідини, гази або пил.** Під час роботи електроінструментів утворюються іскри, від яких можуть зайнятися легкозаймисті випари або пил.
- ▶ **Подбайте про те, щоб під час використання електроінструмента поблизу не було дітей та сторонніх осіб.** Щонайменше відволікання може призвести до втрати контролю над інструментом.

#### Електрична безпека

- ▶ **Штепсельна вилка електроінструмента повинна підходити до розетки живлення. Забороняється вносити зміни до конструкції штепсельної вилки. Не дозволяється застосовувати перехідні штепсельні вилки в електроінструментах із захисним заземленням.** У разі використання оригінальних штепсельних вилок і відповідних розеток знижується ризик ураження електричним струмом.
- ▶ **Під час роботи намагайтеся не торкатися заземлених поверхонь, наприклад труб, радіаторів опалення, печей та холодильників.** Якщо Ваше тіло перебуває в контакт з системою заземлення, існує підвищений ризик ураження електричним струмом.
- ▶ **Захищайте електроінструменти від дощу та вологи.** У разі проникнення води в електроінструмент підвищується ризик ураження електричним струмом.
- ▶ **Використовуйте з'єднувальний кабель тільки за призначенням, не переносьте за нього електроінструмент, не користуйтеся ним для підвішування інструмента та не тримайтеся за нього, дістаючи штепсельну вилку з розетки.** Оберігайте з'єднувальний кабель від впливу високих температур, від дії мастил та контакту з гострими кромками або рухомими частинами інструмента. Пошкоджені або заплутані з'єднувальні кабелі підвищують ризик ураження електричним струмом.
- ▶ **Працюючи з електроінструментом під відкритим небом, використовуйте лише подовжувальний кабель, придатний для зовнішнього застосування.** Використання подовжувального кабелю, призначеного для зовнішнього застосування, зменшує ризик ураження електричним струмом.
- ▶ **Якщо неможливо уникнути експлуатації електроінструмента за умов підвищеної вологості, використовуйте автомат захисту від струму витоку.** Використання автомата захисту від струму витоку зменшує ризик ураження електричним струмом.

#### Безпека персоналу

- ▶ **Будьте уважними, зосередьтеся на виконуваній операції, до роботи з електроінструментом ставтеся серйозно. Не користуйтеся електроінструментом, якщо Ви втоmlені або перебуваєте під дією наркотичних речовин, алкоголю або лікарських засобів.** Під час роботи з електроінструментом не відволікайтеся ні на мить, оскільки це може призвести до отримання серйозних травм.
- ▶ **Використовуйте засоби індивідуального захисту і завжди надягайте захисні окуляри.** Використання засобів індивідуального захисту, наприклад респіратора, захисного взуття на нековзній





підшві, захисного шолома або шумозахисних навушників – залежно від різновиду електроінструмента та особливостей його застосування – зменшує ризик травмування.

- ▶ **Уникайте випадкового вмикання електроінструмента.** Переконайтеся в тому, що електроінструмент вимкнений, перш ніж вставляти штепсельну вилку в розетку живлення та/або приєднувати акумулятор, піднімати електроінструмент або переносити його. Якщо під час перенесення електроінструмента тримати палець на вимикачі або приєднувати інструмент до джерела живлення увімкненим, це може призвести до нещасного випадку.
- ▶ **Перш ніж вмикати електроінструмент, від'єднайте від нього все налагоджувальне приладдя або гайкові ключі.** Приладдя або ключ, що знаходяться в обертовому вузлі інструмента, можуть стати причиною отримання травм.
- ▶ **Уникайте виконання роботи в незручній позі.** Під час виконання робіт ставайте в стійку позу і намагайтеся повсякчас утримувати рівновагу. Це дозволить Вам більш упевнено контролювати електроінструмент у разі виникнення несподіваних обставин.
- ▶ **Надягайте відповідний робочий одяг.** Не надягайте для роботи занадто просторий одяг та прикраси. Слідкуйте за тим, щоб волосся, одяг та робочі рукавиці знаходилися подалі від обертових частин інструмента. Просторий одяг, прикраси або довге волосся можуть бути захоплені рухомими частинами інструмента.
- ▶ **Якщо передбачена можливість установа системи пиловидалення та пиловбирників, обов'язково переконайтеся в тому, що вони правильно приєднані й використовуються належним чином.** Застосування системи видалення пилу дозволяє зменшити негативний вплив пилу на персонал.
- ▶ **Не можна нехтувати правилами безпеки під час роботи з електроінструментами навіть у тому випадку, коли Ви добре знайомі з тим чи іншим електроінструментом.** Якщо користуватися інструментом необережно, лише малої частки секунди може бути достатньо для отримання тяжких травм.

#### **Використання електроінструмента та належний догляд за ним**

- ▶ **Не допускайте перенавантаження інструмента.** Завжди використовуйте електроінструмент, призначений для виконання відповідної роботи. При використанні належного електроінструмента забезпечуються більш висока якість та безпека виконання робіт у вказаному діапазоні продуктивності.
- ▶ **Не використовуйте електроінструмент із пошкодженим вимикачем.** Електроінструмент, який неможливо вмикати або вимикати, є небезпечним і підлягає ремонту.
- ▶ **Перш ніж розпочинати налаштування інструмента, виконувати заміну приладдя або робити перерву в роботі, не забудьте виняти штепсельну вилку з розетки та/або виїняти з інструмента змінну акумуляторну батарею.** Такий запобіжний захід допоможе уникнути випадкового вмикання електроінструмента.
- ▶ **Електроінструменти, що не використовуються, зберігайте в недоступному для дітей місці.** Не дозволяйте користуватися інструментом особам, які не ознайомлені з ним або не прочитали ці вказівки. У руках недосвідчених людей електроінструменти являють собою серйозну небезпеку.
- ▶ **Електроінструменти та їх приладдя потребують дбайливого догляду.** Ретельно перевіряйте, чи бездоганно працюють та чи не заклинюють рухомі частини, чи не зламалися або не зазнали інших пошкоджень деталі, від яких залежить справна робота електроінструмента. Перед початком роботи з інструментом пошкоджені деталі слід відремонтувати. Багатьох нещасних випадків можна уникнути за умови належного технічного обслуговування електроінструментів.
- ▶ **Слідкуйте за тим, щоб ріжучі інструменти завжди залишалися чистими та належним чином заточеними.** Дбайливо доглянутий ріжучий інструмент із гострими різальними кромками не так часто заклинюється, і з ним легше працювати.
- ▶ **Під час експлуатації електроінструмента, приладдя до нього, робочих інструментів тощо дотримуйтеся наведених у цьому документі вказівок.** При цьому завжди враховуйте умови в місці виконання робіт та дії, яких вимагає поставлене завдання. Використання електроінструментів не за призначенням може призвести до виникнення небезпечних ситуацій.
- ▶ **Слідкуйте за тим, щоб поверхні рукояток були чистими та сухими, та не допускайте їхнього забруднення мастилом.** Якщо поверхні рукояток слизькі, це унеможливіло впевнене контролювання електроінструмента у непередбачених ситуаціях.

#### **Використання акумуляторного інструмента та належний догляд за ним**

- ▶ **Для заряджання акумуляторних батарей застосовуйте лише зарядні пристрої, рекомендовані виробником.** Зарядний пристрій, придатний для заряджання акумуляторних батарей певного типу, може спричинити пожежу, якщо його застосовувати для заряджання акумуляторних батарей інших типів.



- ▶ Для живлення електроінструментів застосуйте лише спеціально призначені для цього акумуляторні батареї. Застосування інших акумуляторних батарей може призвести до отримання травм і виникнення пожежі.
- ▶ Акумуляторну батарею, яка не використовується, тримайте подалі від канцелярських скріпок, монет, ключів, цвяхів, гвинтів та інших дрібних металевих предметів, які могли б спричинити коротке замикання її контактів. Коротке замикання контактів акумуляторної батареї може призвести до отримання опіків або до виникнення пожежі.
- ▶ У разі неправильного застосування з акумуляторної батареї може пролитися рідина. Уникайте контакту з нею. У разі випадкового контакту цієї рідини зі шкірою негайно промийте уражене місце достатньою кількістю води. Якщо рідина потрапила в очі, рекомендується додатково звернутися по лікарську допомогу. Пролита з акумуляторної батареї рідина може призвести до подразнення шкіри або отримання опіків.
- ▶ Не використовуйте акумуляторну батарею, якщо вона пошкоджена або якщо її конструкція була змінена. Пошкоджені або модифіковані акумуляторні батареї вкрай ненадійні та становлять небезпеку пожежі, вибуху або травмування.
- ▶ Не піддавайте акумуляторну батарею впливу вогню або високих температур. Вогонь або температури понад 130 °C (265 °F) можуть спричинити вибух.
- ▶ Дотримуйтеся вказівок щодо заряджання. Ніколи не заряджайте акумуляторну батарею або акумуляторний інструмент в умовах, що виходять за межі температурного діапазону, зазначеного в інструкції з експлуатації. Неналежне заряджання або заряджання за межами зазначеного температурного діапазону може призвести до руйнування акумуляторної батареї та підвищує ризик займання.

#### Сервісне обслуговування

- ▶ Доручайте ремонт електроінструмента лише кваліфікованому персоналу зі спеціальною підготовкою за умови використання тільки оригінальних запасних частин. Це забезпечить функціональність інструмента.
- ▶ Забороняється здійснювати технічне обслуговування пошкоджених акумуляторних батарей. У будь-яких випадках технічне обслуговування акумуляторних батарей повинен здійснювати виробник або уповноважена служба технічного обслуговування.

## 2.2 Указівки з техніки безпеки при роботі зі свердлильними інструментами

### Указівки з техніки безпеки для виконання усіх типів робіт

- ▶ Під час ударного свердління використовуйте захисні навушники. Тривалий вплив шуму може призвести до втрати слуху.
- ▶ Використовуйте додаткову рукоятку. Втрата контролю над інструментом може стати причиною травмування.
- ▶ Тримайте електроінструмент за ізольовані поверхні рукояток, оскільки під час використання робочий інструмент або гвинт можуть натрапити на приховані електричні кабелі. У разі контакту з електричним кабелем, який знаходиться під напругою, металеві деталі інструмента також потраплять під напругу, а це може призвести до ураження електричним струмом.

### Указівки з техніки безпеки під час застосування довгих свердел

- ▶ Швидкість обертання у жодному разі не повинна перевищувати максимально припустиму швидкість обертання свердла. Якщо свердло обертатиметься із більшою швидкістю, то під час вільного обертання без контакту з оброблюваним об'єктом воно може деформуватися, що у свою чергу може спричинити травми.
- ▶ Завжди розпочинайте свердління за низької швидкості обертання, попередньо встановивши свердло на оброблюваний об'єкт. Якщо свердло обертатиметься із більшою швидкістю, то під час вільного обертання без контакту з оброблюваним об'єктом воно може деформуватися, що у свою чергу може спричинити травми.
- ▶ На свердло дозволяється натискати лише у поздовжньому напрямку, не докладаючи при цьому надмірних зусиль. Невиконання цієї вказівки може призвести до руйнування свердла внаслідок його деформування або спричинити травми внаслідок втрати контролю над інструментом.

## 2.3 Додаткові вказівки з техніки безпеки під час загвинчування гвинтів

- ▶ Користуйтеся лише повністю справним інструментом та приладдям.
- ▶ Вносити будь-які зміни до конструкції інструмента або приладдя заборонено.
- ▶ Перед початком роботи перевіряйте робоче місце на наявність прихованих електричних кабелів, газових та водопровідних труб. Якщо під час роботи будуть випадково пошкоджені електричні



кабелі, газовий або водяний трубопровід, то їхній контакт із відкритими металевими деталями інструмента може спричинити ураження електричним струмом або вибух.

- ▶ Пил, який утворюється під час шліфування, обробки наждачним папером, різання та свердління певних матеріалів, може містити небезпечні хімічні речовини. Деякі приклади таких матеріалів: свинець або фарби на основі свинцю; цегла, бетон та інші матеріали, що використовуються для споруджування стін, зокрема природний камінь та інші речовини, які містять силікати; певні види деревини, зокрема дуб або бук, а також деревина, яка пройшла хімічну обробку; азбест або матеріали, що містять азбест. Визначайте рівень впливу пилу на оператора та осіб, які знаходяться поблизу, приймаючи до уваги клас небезпеки оброблюваних матеріалів. Вживайте потрібних заходів, щоб утримувати вплив пилу на мінімально можливому рівні, зокрема використовуйте систему видалення пилу або відповідний респіратор. До загальних заходів, спрямованих на зменшення впливу пилу, належать такі:
  - ▶ виконання робіт на добре провітрюваній ділянці;
  - ▶ уникнення тривалого контакту з пилом;
  - ▶ недопущення контакту пилу з обличчям та тілом;
  - ▶ використання захисного одягу, а також миття засмічених ділянок водою з милом.
- ▶ Небезпека травмування в результаті падіння інструментів та/або приладдя. Перш ніж розпочинати роботу, перевірте, чи надійно закріплене приладдя й акумуляторна батарея.
- ▶ Під час наскрізного свердління укріпіть відповідну ділянку поверхні з протилежного боку деталі. Оскільки можуть розлітатися у різні боки та/або вниз і травмувати інших людей.
  - ▶ Якщо під час свердління стіни раптово утвориться наскрізний отвір, Ви можете втратити рівновагу внаслідок різкого руху інструмента. Подбайте про стійке положення свого тіла та утримуйте рівновагу, коли Ви виконуєте наскрізне свердління стін або стелі.
- ▶ Не використовуйте затуплені насадки.
- ▶ Використовуйте додаткові рукоятки, що входять до комплексу постачання інструмента. Втрата контролю над інструментом може стати причиною травмування. Переконайтеся, що додаткова рукоятка встановлена надійно та нерухомо.
- ▶ Вмикайте інструмент лише після того, як Ви встановили його у робоче положення.
- ▶ Завжди міцно тримайте інструмент обома руками за передбачені для цього рукоятки. Слідкуйте за тим, щоб рукоятки були сухими та чистими.
- ▶ Не допускайте засмічення вентиляційних прорізів. Перекривання вентиляційних прорізів створює небезпеку отримання опіків!
- ▶ Уникайте контакту з деталями інструмента, що обертаються. Існує ризик отримання травм!
- ▶ Під час роботи з інструментом використовуйте захисні окуляри, каску, захисні навушники та відповідні засоби захисту органів дихання.
- ▶ Використовуйте захисні окуляри. Уламки матеріалу можуть завдати поранень або пошкодити очі.
- ▶ Не дивіться безпосередньо на світлодіодне підсвічування інструмента та не направляйте його в обличчя іншим особам. Існує небезпека засліплення.
- ▶ Часто робіть перерви у роботі та виконуйте вправи на розминання пальців, щоб покращити кровообіг у них. Під час довготривалих робіт високочастотна вібрація може пошкодити судини або нерви у пальцях, руках або зап'ясткових суглобах.
- ▶ Зачекайте, доки змінний робочий інструмент повністю зупиниться, перш ніж знімати його з оброблюваного об'єкта.
- ▶ Під час заміни робочого інструмента користуйтеся захисними рукавицями. Контакт зі змінним робочим інструментом може призвести до отримання порізів або опіків.

## 2.4 Застосування акумуляторних батарей та дбайливий догляд за ними

- ▶ **Дотримуйтеся наведених нижче вказівок з техніки безпеки, щоб гарантувати безпечне транспортування та використання літій-іонних акумуляторних батарей.** Невиконання цих вказівок може призвести до подразнення шкіри, серйозних травм внаслідок контакту з корозійними речовинами, а також до хімічних опіків, пожежі та/або вибуху.
- ▶ Користуйтеся лише повністю справними акумуляторними батареями.
- ▶ Обережно поводьтеся з акумуляторними батареями, щоб уникнути їхнього пошкодження або витоків рідини, які є дуже небезпечними для здоров'я!
- ▶ Забороняється вносити зміни до конструкції акумуляторних батарей або модифікувати їх!
- ▶ Акумуляторні батареї забороняється розбирати, роздавлювати, нагрівати до температури понад 80 °C (176 °F) або спалювати.



- ▶ Не використовуйте та не заряджайте акумуляторні батареї, які зазнали впливу ударного навантаження або були пошкоджені іншим чином. Регулярно перевіряйте акумуляторні батареї на наявність пошкоджень.
- ▶ Ніколи не використовуйте акумуляторні батареї із вторинних матеріалів або відремонтовані акумуляторні батареї.
- ▶ Не застосовуйте акумуляторну батарею або акумуляторний електроінструмент у якості ударного інструмента.
- ▶ Ніколи не піддавайте акумуляторні батареї впливу прямих сонячних променів, високих температур, іскор або відкритого вогню. Невиконання цієї вимоги може призвести до вибуху.
- ▶ Не торкайтеся полюсів елементів живлення пальцями, робочими інструментами, прикрасами, а також іншими предметами зі струмопровідних матеріалів. Невиконання цієї вимоги може привести до пошкодження акумуляторної батареї, матеріальних збитків і травм.
- ▶ Захищайте акумуляторні батареї від впливу дощу, вологи та рідин. Якщо всередину акумуляторної батареї потрапить волога, це може спричинити коротке замикання, ураження електричним струмом, опіки, пожежу або вибух.
- ▶ Використовуйте акумуляторну батарею тільки з тими електроінструментами та зарядними пристроями, для яких вона призначена. При цьому також дотримуйтеся вказівок, наведених в інструкціях з експлуатації відповідних виробів.
- ▶ Не використовуйте та не зберігайте акумуляторні батареї у вибухонебезпечному середовищі.
- ▶ Якщо акумуляторна батарея гаряча на дотик, вона може бути пошкоджена. Залиште акумуляторну батарею у захищеному від вогню місці на достатній відстані від горючих матеріалів, де за нею можна спостерігати. Зачекайте, доки акумуляторна батарея не охолоне. Якщо через годину акумуляторна батарея все ще залишається гарячою на дотик, це свідчить про її несправність. Зверніться до сервісної служби компанії **Hilti** або ознайомтеся з указівками щодо техніки безпеки та належної експлуатації літій-іонних акумуляторних батарей **Hilti**.

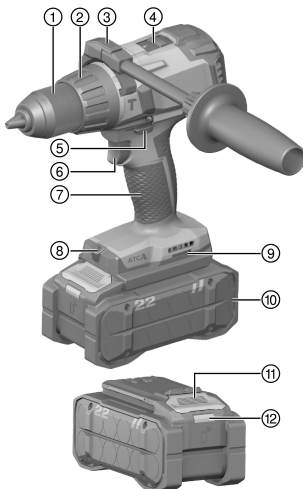


Дотримуйтеся спеціальних указівок щодо транспортування, зберігання та використання літій-іонних акумуляторних батарей. → стор. 53

Ознайомтеся з указівками щодо техніки безпеки та належної експлуатації літій-іонних акумуляторних батарей **Hilti**: для цього відскануйте QR-код, наведений наприкінці цієї інструкції з експлуатації.

### 3 Опис

#### 3.1 Огляд продукту



- ① Швидкозатискна втулка
- ② Регульовальне кільце для встановлення обертового моменту та режиму роботи
- ③ Бокова рукоятка
- ④ Перемикач швидкостей
- ⑤ Перемикач напрямку обертання за годинниковою стрілкою/проти годинникової стрілки з транспортним фіксатором
- ⑥ Вимикач з електронним регулятором числа обертів
- ⑦ Рукоятка
- ⑧ Освітлення робочої зони (світлодіодне)
- ⑨ Отвір для встановлення приладдя
- ⑩ Акумуляторна батарея
- ⑪ Деблокувальна кнопка акумуляторної батареї
- ⑫ Індикатор статусу акумуляторної батареї



### 3.2 Використання за призначенням

Описаний у цьому документі інструмент являє собою ручний акумуляторний шурупокрут. Він призначений для свердління отворів у сталі, деревині, пластмасі, легкому бетоні та цегляній кладці, а також для загвинчування і розгвинчування гвинтів.

- Використовуйте із цим інструментом лише літій-іонні акумуляторні батареї **Hilti** Nuron типу В 22. Щоб забезпечити оптимальну потужність інструмента, компанія **Hilti** рекомендує використовувати з ним акумуляторні батареї, зазначені у таблиці наприкінці цієї інструкції з експлуатації.
- Для заряджання цих акумуляторних батарей використовуйте зарядні пристрої **Hilti** лише тих типів, які зазначені у таблиці наприкінці цієї інструкції з експлуатації.

### 3.3 Система АТС

Інструмент оснащений електронною системою аварійного вимкнення АТС (Active Torque Control). Якщо станеться блокування або заклинювання робочого інструмента, інструмент може раптово та неконтрольовано зсунутися у напрямку, протилежному напрямку обертання робочого інструмента. Система АТС розпізнає цей раптовий обертальний рух та одразу вимикає інструмент.



Задля забезпечення належного функціонування не можна створювати перешкод для обертального руху інструмента.

У разі спрацювання системи аварійного вимкнення вимкніть інструмент, а потім увімкніть його знову.

### 3.4 Індикатор перенавантаження та перегрівання

Інструмент оснащено електронним запобіжником від перенавантаження та перегрівання. У разі перенавантаження або перегрівання інструмент автоматично вимикається. Якщо вимикач відпустити, а потім знову натиснути, інструмент може увімкнутися із затримкою (інструмент охолоджується).

### 3.5 Варіанти індикації літій-іонної акумуляторної батареї

Літій-іонні акумуляторні батареї **Hilti** Nuron оснащені індикаторами, які можуть відображати стан заряду, повідомлення про несправності, а також позначати стан акумуляторної батареї.

#### 3.5.1 Індикація стану заряду та повідомлень про несправність



#### ПОПЕРЕДЖЕННЯ

#### Ризик отримання травм через падіння акумуляторної батареї!

- ▶ Якщо Ви натиснули на деблокувальну кнопку, коли акумуляторна батарея встановлена в інструмент, будь ласка, переконайтеся, що вона належним чином зафіксована.

Щоб відобразити одну з наведених нижче індикацій, короткочасно натисніть деблокувальну кнопку акумуляторної батареї.

Після приєднання інструмента індикатор постійно показуватиме стан заряду акумуляторної батареї, а також можливі несправності.

| Стан  | Значення                       |
|---|--------------------------------|
| Чотири (4) світлодіоди постійно горять зеленим кольором | Стан заряду: від 100 % до 71 % |
| Три (3) світлодіоди постійно горять зеленим кольором    | Стан заряду: від 70 % до 51 %  |
| Два (2) світлодіоди постійно горять зеленим кольором    | Стан заряду: від 50 % до 26 %  |
| Один (1) світлодіод постійно горить зеленим кольором    | Стан заряду: від 25 % до 10 %  |
| Один (1) світлодіод повільно мигає зеленим кольором     | Стан заряду: < 10 %            |



| Стан   | Значення   |
|--|--|
| Один (1) світлодіод швидко мигає зеленим кольором  | Літій-іонна акумуляторна батарея повністю розряджена. Зарядіть акумуляторну батарею. Якщо після заряджання акумуляторної батареї світлодіод продовжує швидко мигати, будь ласка, зверніться до сервісної служби компанії <b>Hilti</b> .  |
| Один (1) світлодіод швидко мигає жовтим кольором   | Літій-іонна акумуляторна батарея або приєднаний до неї інструмент перенавантажені, занадто гарячі або занадто холодні або виникла інша помилка. Зачекайте, доки інструмент і акумуляторна батарея не нагріються або не охолонуть до належної робочої температури, та надалі уникайте перенавантаження інструмента під час використання. Якщо індикація не зникає, будь ласка, зверніться до сервісної служби компанії <b>Hilti</b> . |
| Один (1) світлодіод горить жовтим кольором         | Літій-іонна акумуляторна батарея та відповідний інструмент несумісні. Будь ласка, зверніться до сервісної служби компанії <b>Hilti</b> .   |
| Один (1) світлодіод швидко мигає червоним кольором | Літій-іонна акумуляторна батарея заблокована та більше не може використовуватися. Будь ласка, зверніться до сервісної служби компанії <b>Hilti</b> .   |

### 3.5.2 Індикація стану акумуляторної батареї

Щоб відобразити індикацію стану акумуляторної батареї, натисніть і утримуйте деблокувальну кнопку протягом більше трьох секунд. Система не встановила жодних потенційних несправностей елемента живлення, обумовлених його неналежним використанням, наприклад падінням, проколюванням, пошкодженням внаслідок впливу високих температур тощо.

| Стан  | Значення  |
|---|---|
| Усі світлодіоди послідовно загоряються, після чого один (1) світлодіод починає постійно горіти зеленим кольором.  | Експлуатацію акумуляторної батареї можна продовжувати.  |
| Усі світлодіоди послідовно загоряються, після чого один (1) світлодіод починає швидко мигати жовтим кольором.     | Не вдалося завершити перевірку стану акумуляторної батареї. Повторіть операцію або зверніться до сервісної служби компанії <b>Hilti</b> .   |
| Усі світлодіоди послідовно загоряються, після чого один (1) світлодіод починає постійно горіти червоним кольором. | Якщо використання приєданого інструмента можна продовжувати, це означає, що залишкова ємність акумуляторної батареї становить менше 50 %.<br>Якщо використання приєданого інструмента вже не можна продовжувати, це означає, що строк служби акумуляторної батареї закінчився та її потрібно замінити. Будь ласка, зверніться до сервісної служби компанії <b>Hilti</b> . |

### 3.6 Комплект постачання

Шурупокрут, бокова рукоятка, інструкція з експлуатації.

Інше приладдя, допущене до експлуатації з Вашим інструментом, Ви можете придбати у найближчому магазині **Hilti Store** або на веб-сайті [www.hilti.group](http://www.hilti.group)

## 4 Технічні дані

|  | SF 6-22                      | SF 6H-22                     |
|--|------------------------------|------------------------------|
| Номінальна напруга   | 21,6 В <sub>пост. стр.</sub> | 21,6 В <sub>пост. стр.</sub> |
| Маса відповідно до EPTA Procedure 01 без акумуляторної батареї | 2,0 кг                       | 2,0 кг                       |



|   |               | SF 6-22                 | SF 6H-22                |
|---|---------------|-------------------------|-------------------------|
| Швидкість обертання   | 1-а швидкість | 0 об/хв ... 490 об/хв   | 0 об/хв ... 490 об/хв   |
|   | 2-а швидкість | 0 об/хв ... 2 000 об/хв | 0 об/хв ... 2 000 об/хв |
| Обертний момент (загвинчування у м'який матеріал) $\frac{1}{2}$ |               | ≤ 65 Н·м                | ≤ 65 Н·м                |
| Частота ударів  |               | */*                     | 36 000 об/хв            |
| Температура навколишнього середовища під час роботи             |               | -17 °C ... 60 °C        | -17 °C ... 60 °C        |
| Температура зберігання  |               | -20 °C ... 70 °C        | -20 °C ... 70 °C        |

#### 4.1 Акумуляторна батарея

|   |   |
|---|---|
| Робоча напруга акумуляторної батареї                            | 21,6 В  |
| Маса акумуляторної батареї                                      | Інформація наведена наприкінці цієї інструкції з експлуатації |
| Температура навколишнього середовища під час роботи             | -17 °C ... 60 °C  |
| Температура зберігання  | -20 °C ... 40 °C  |
| Температура акумуляторної батареї на початку процесу заряджання | -10 °C ... 45 °C  |

#### 4.2 Припустимий діаметр змінних робочих інструментів

|  | SF 6-22          | SF 6H-22         |
|--|------------------|------------------|
| Ø, діапазон затискання швидкозатискної втулки            | 1,5 мм ... 13 мм | 1,5 мм ... 13 мм |
| Ø свердла для деревини (твердої)                         | 1,5 мм ... 20 мм | 1,5 мм ... 20 мм |
| Ø свердла для деревини (м'якої)                          | 1,5 мм ... 32 мм | 1,5 мм ... 32 мм |
| Ø свердла для металу                                     | 1,5 мм ... 13 мм | 1,5 мм ... 13 мм |
| Ø свердла для бетону/цегляної кладки (ударне свердління) | */*              | 4 мм ... 12 мм   |

#### 4.3 Дані про шум та значення вібрації, виміряні згідно зі стандартом EN 62841

Наведені у цих рекомендаціях значення звукового тиску та вібрації були виміряні згідно з установленою процедурою вимірювання та можуть використовуватися для порівняння електроінструментів. Вони також придатні для попереднього оцінювання шумового та вібраційного навантаження.

Наведені дані обумовлюють переважні сфери застосування електроінструмента. Однак якщо Ви використовуєте його не за призначенням, застосовуєте нестандартне приладдя або неналежним чином здійснюєте догляд за інструментом, ці дані можуть відрізнятись від вказаних значень. Це може призвести до помітного збільшення шумового та вібраційного навантаження протягом усього робочого часу.

Для більш точної оцінки шумового та вібраційного навантаження необхідно враховувати також проміжки часу, протягом яких інструмент залишається вимкненим або працює на холостому ході. Це може значно зменшити вібраційне та шумове навантаження протягом усього робочого часу.

Необхідно також зживати додаткових заходів безпеки з метою захисту працівників від дії шуму та/або вібрації, зокрема: проводити своєчасне технічне обслуговування електроінструмента та змінних робочих інструментів до нього, утримувати руки у теплі, належним чином організувати робочий процес.

#### Рівень шуму

|   | SF 6-22    | SF 6H-22    |
|---|------------|-------------|
| Рівень звукового тиску ( $L_{pA}$ )               | 74,5 дБ(A) | 94,5 дБ(A)  |
| Похибка для рівня звукового тиску ( $K_{pA}$ )    | 5 дБ(A)    | 5 дБ(A)     |
| Рівень шумової потужності ( $L_{WA}$ )            | 85,5 дБ(A) | 105,5 дБ(A) |
| Похибка для рівня шумової потужності ( $K_{WA}$ ) | 5 дБ(A)    | 5 дБ(A)     |



## Сумарне значення вібрації

|  |          | SF 6-22              | SF 6H-22              |
|--|----------|----------------------|-----------------------|
| Рівень вібрації, що створюється під час свердління отворів у металі ( $a_{h,d}$ )          | B 22-85  | 1,0 м/с <sup>2</sup> | 1,2 м/с <sup>2</sup>  |
|  | B 22-170 | 0,7 м/с <sup>2</sup> | 1,1 м/с <sup>2</sup>  |
| Похибка для свердління отворів у металі (K)  |          | 1,5 м/с <sup>2</sup> | 1,5 м/с <sup>2</sup>  |
| Рівень вібрації, що створюється під час ударного свердління отворів у бетоні ( $a_{h,u}$ ) | B 22-85  | */*                  | 11,9 м/с <sup>2</sup> |
|  | B 22-170 | */*                  | 10,6 м/с <sup>2</sup> |
| Похибка для ударного свердління отворів у бетоні (K)                                       |          | */*                  | 1,5 м/с <sup>2</sup>  |

## 5 Підготовка до роботи

### ПОПЕРЕДЖЕННЯ

#### Ризик отримання травм внаслідок непередбаченого увімкнення інструмента!

- ▶ Перш ніж установлювати акумуляторну батарею, переконайтеся, що відповідний інструмент вимкнений.
- ▶ Від'єднайте акумуляторну батарею, перш ніж задавати налаштування інструмента або замінити приладдя.

Дотримуйтеся попереджувальних вказівок та вказівок з техніки безпеки, наведених у цьому документі та на корпусі інструмента.

### 5.1 Зарядження акумуляторної батареї

1. Перед зарядженням акумуляторної батареї прочитайте інструкцію з експлуатації зарядного пристрою.
2. Контакти акумуляторної батареї та зарядного пристрою повинні бути чистими та сухими.
3. Заряджайте акумуляторну батарею тільки за допомогою тих зарядних пристроїв, які допущені до застосування з нею. → стор. 47

### 5.2 Установлення акумуляторної батареї

#### ПОПЕРЕДЖЕННЯ

#### Ризик отримання травм внаслідок короткого замикання або падіння акумуляторної батареї!

- ▶ Перш ніж установлювати акумуляторну батарею, переконайтеся, що на контактах батареї та інструмента немає сторонніх предметів.
- ▶ Завжди перевіряйте, щоб акумуляторна батарея була правильно зафіксована.

1. Перед першим використанням акумуляторну батарею слід повністю зарядити.
2. Уставте акумуляторну батарею в інструмент, щоб вона зафіксувалася із чітким характерним звуком.
3. Переконайтеся, що акумуляторна батарея надійно зафіксована в інструменті.

### 5.3 Виймання акумуляторної батареї

1. Натисніть на деблокувальну кнопку акумуляторної батареї.
2. Дістаньте акумуляторну батарею з інструмента.

### 5.4 Установлення бокової рукоятки

#### ОБЕРЕЖНО

#### Ризик отримання травм! Втрата контролю над перфоратором.

- ▶ Переконайтеся в тому, що бокова рукоятка правильно змонтована і належним чином закріплена. Переконайтеся, що затискачі належним чином установлені у передбачені для них пази.

1. Прокрутіть бокову рукоятку, щоб вивільнити її затискачі.
2. Установіть тримач бокової рукоятки на корпус, після чого вставте затискачі у передбачені для них пази.





3. Прокрутіть бокову рукоятку, щоб зафіксувати її тримач.

## 5.5 Установлення змінного робочого інструмента

1. Відкрийте швидкозатискну втулку.
2. Уставте змінний робочий інструмент у затискний патрон.
3. Закрутіть швидкозатискний патрон.
4. Перевірте надійність кріплення змінного робочого інструмента.

## 5.6 Захист від падіння з висоти

### ПОПЕРЕДЖЕННЯ

**Небезпека отримання травм** внаслідок падіння робочого інструмента та/або приладдя!

- ▶ Використовуйте тільки той страхувальний строп для інструментів **Hilti**, який рекомендований для Вашого інструмента.
- ▶ Перед кожним використанням перевіряйте точку кріплення страхувального стропа для інструментів на наявність можливих пошкоджень.
- ▶ Не закріплюйте страхувальний строп для інструментів на поясному гачку. Не використовуйте поясний гачок для піднімання інструмента.



Дотримуйтеся місцевих указівок щодо виконання робіт на висоті.

У якості пристрою для попередження падіння цього інструмента використовуйте тільки комбінацію захисту від падіння **Hilti** та страхувального стропа для інструментів **Hilti** номер #2261970.

- ▶ Закріпіть захист від падіння в отворах для встановлення приладдя. Перевірте надійність кріплення.
- ▶ Закріпіть один гачок карабіна страхувального стропа для інструментів на захисті від падіння, а інший гачок карабіна – на несучій конструкції. Перевірте надійність кріплення обох гачків карабіна.



Дотримуйтеся вказівок, наведених в інструкції з експлуатації захисту від падіння **Hilti** та страхувального стропа для інструментів **Hilti**.

## 6 Експлуатація

### ОБЕРЕЖНО

**Небезпека отримання травм через блокування змінного робочого інструмента !**

- ▶ Переконайтеся в тому, що бокова рукоятка правильно змонтована і належним чином закріплена. Завжди міцно тримайте інструмент обома руками за передбачені для цього рукоятки.
- ▶ Використовуйте захисні окуляри для захисту від осколків.

Дотримуйтеся попереджувальних вказівок та вказівок з техніки безпеки, наведених у цьому документі та на корпусі інструмента.

## 6.1 Вибір швидкості

- ▶ Виберіть швидкість.

## 6.2 Налаштування обертання за годинниковою стрілкою/проти годинникової стрілки

- ▶ Установіть перемикач напряму обертання за годинниковою стрілкою/проти годинникової стрілки в положення «за годинниковою стрілкою» або «проти годинникової стрілки».

## 6.3 Увімкнення інструмента

- ▶ Натисніть на вимикач.
  - ▶ Інструмент увімкнеться.




Швидкість обертання можна плавно регулювати, змінюючи силу натискання на вимикач.




#### 6.4 Загвинчування

- ▶ За допомогою регулювального кільця для встановлення обертового моменту та режиму роботи виберіть потрібний обертовий момент.

#### 6.5 Свердління

- ▶ Переведіть регулювальне кільце для встановлення обертового моменту та режиму роботи у положення .

#### 6.6 Ударне свердління отворів

- ▶ Переведіть регулювальне кільце для встановлення обертового моменту та режиму роботи у положення .

#### 6.7 Вимикання інструмента

- ▶ Відпустіть вимикач.
  - ▶ Інструмент вимкнеться.

## 7 Догляд і технічне обслуговування



### ПОПЕРЕДЖЕННЯ

**Небезпека травмування під час виконання робіт на інструменті з установленою акумуляторною батареєю!**

- ▶ Завжди діставайте з інструмента акумуляторну батарею, перш ніж розпочинати будь-які роботи з догляду та технічного обслуговування!

#### Догляд за виробом

- Видаляйте накопичення бруду обережно.
- Якщо конструкцією інструмента передбачені вентиляційні прорізи, обережно прочищайте їх м'якою сухою щіткою.
- Чистьте корпус інструмента тільки вологою тканиною. Не використовуйте миючі засоби, що містять силікон, оскільки вони можуть пошкодити пластмасові деталі.
- Для чищення контактів інструмента використовуйте чисту суху тканину.

#### Догляд за літій-іонними акумуляторними батареями

- Ніколи не використовуйте акумуляторну батарею із заблокованими вентиляційними прорізами. Обережно прочищайте вентиляційні прорізи м'якою сухою щіткою.
- Уникайте зайвого контакту акумуляторної батареї з пилом або брудом. Ніколи не піддавайте акумуляторну батарею впливу високої вологості (зокрема, не занурюйте її у воду та не залишайте під дощем).

Якщо рідина потрапила всередину акумуляторної батареї, з нею слід поводитися як із пошкодженою акумуляторною батареєю. Ізолюйте акумуляторну батарею у контейнері з незаймистого матеріалу та зверніться до сервісної служби компанії **Hilti**.

- Не допускайте забруднення акумуляторної батареї сторонніми мастильними матеріалами. Слідкуйте за тим, щоб на акумуляторній батареї не накопичувалась занадто велика кількість пилу або бруду. Видаляйте забруднення з акумуляторної батареї м'якою сухою щіткою або чистою сухою тканиною. Не використовуйте миючі засоби, що містять силікон, оскільки вони можуть пошкодити пластмасові деталі.

Не торкайтеся контактів акумуляторної батареї та не видаляйте з них мастильні матеріали, нанесені на заводі виробника.

- Чистьте корпус інструмента тільки вологою тканиною. Не використовуйте миючі засоби, що містять силікон, оскільки вони можуть пошкодити пластмасові деталі.

#### Технічне обслуговування

- Регулярно перевіряйте усі зовнішні частини інструмента на наявність пошкоджень, а органи керування – на предмет справної роботи.
- Не використовуйте інструмент у разі виявлення пошкоджень та/або порушень функціональності. негайно передайте інструмент до сервісної служби компанії **Hilti** для здійснення ремонту.
- Після завершення робіт з догляду і технічного обслуговування встановіть усі захисні пристрої та перевірте їхню роботу.





Щоб гарантувати належну роботу інструмента, використовуйте тільки оригінальні запасні частини та видаткові матеріали. Рекомендовані компанією **Hilti** запасні частини, видаткові матеріали та приладдя для інструмента Ви можете придбати у найближчому магазині **Hilti Store** або на веб-сайті **www.hilti.group**

## 8 Транспортування та зберігання акумуляторних інструментів та акумуляторних батарей

### Транспортування

#### **ОБЕРЕЖНО**

**Непередбачене увімкнення інструмента під час транспортування !**

- ▶ На час транспортування завжди діставайте з інструмента акумуляторну батарею!
- ▶ Діставайте акумуляторну(-і) батарею(-і).
- ▶ Ніколи не перевозьте акумуляторні батареї у незапакованому вигляді. Під час перевезення акумуляторні батареї повинні бути захищені від сильних поштовхів та вібрацій, а також ізольовані від будь-яких струмопровідних матеріалів та від інших акумуляторних батарей. Це дозволить уникнути короткого замикання, яке може статися через контакт полюсів різних акумуляторних батарей. **Дотримуйтеся місцевих правил, які регламентують порядок перевезення акумуляторних батарей.**
- ▶ Забороняється пересилати акумуляторні батареї поштою. Для пересилання непошкоджених акумуляторних батарей зверніться до кур'єрської служби.
- ▶ Перед кожним використанням, а також перед тривалим транспортуванням і після його завершення перевіряйте інструмент та акумуляторні батареї на наявність пошкоджень.

### Зберігання

#### **ПОПЕРЕДЖЕННЯ**

**Непередбачене пошкодження інструмента через несправність акумуляторної батареї або через виток електроліту з акумуляторної батареї !**

- ▶ На час зберігання завжди діставайте з інструмента акумуляторну батарею!
- ▶ Зберігайте інструмент та акумуляторні батареї у сухому прохолодному місці. Дотримуйтеся діапазону температур, зазначеного у технічних даних інструмента.
- ▶ Не зберігайте акумуляторні батареї на зарядному пристрої. Після закінчення процесу заряджання завжди від'єднуйте акумуляторну батарею від зарядного пристрою.
- ▶ Не зберігайте акумуляторні батареї на сонці, біля джерел тепла або на підвіконні.
- ▶ Зберігайте інструмент та акумуляторні батареї у сухому місці, недоступному для дітей та сторонніх осіб.
- ▶ Перед кожним використанням, а також перед тривалим зберіганням і після його завершення перевіряйте інструмент та акумуляторні батареї на наявність пошкоджень.

## 9 Допомога у разі виникнення несправностей

У разі виникнення будь-яких несправностей звертайте увагу на індикатор стану заряду та несправності акумуляторної батареї. Додаткова інформація наведена у розділі «**Варіанти індикації літій-іонної акумуляторної батареї**».

У разі виникнення несправностей, які не зазначені у цій таблиці або які Ви не можете полагодити самостійно, зверніться до сервісної служби компанії **Hilti**.

| Несправність  | Можлива причина  | Рішення   |
|---|--|---|
| Інструмент не працює.                                 | Акумуляторна батарея установлена неналежним чином.   | ▶ Установіть акумуляторну батарею. → стор. 50   |
| На вимикач неможливо натиснути, або він заблокований. | Перемикач напрямку обертання за годинниковою стрілкою/проти годинникової стрілки знаходиться у середньому положенні (транспортне положення). | ▶ Установіть перемикач напрямку обертання за годинниковою стрілкою/проти годинникової стрілки в положення «за годинниковою стрілкою» або «проти годинникової стрілки». → стор. 51 |



| Несправність  | Можлива причина  | Рішення  |
|---|--|--|
| Інструмент або акумуляторна батарея сильно перегріваються | Електрична несправність                                    | ▶ Негайно вимкніть інструмент і дістаньте акумуляторну батарею. Зачекайте, доки інструмент не охолоне; не залишайте його у цей час без нагляду. Зверніться до сервісної служби компанії <b>Hilti</b> . |
| Індикація світлодіодів акумуляторної батареї відсутня     | Акумуляторна батарея несправна                             | ▶ Зверніться до сервісної служби компанії <b>Hilti</b> .   |
| SF 6H-22<br>Ударне свердління отворів неможливе.          | Регульовальне кільце встановлене на невірний режим роботи. | ▶ Переведіть регульовальне кільце для встановлення режиму роботи у положення «Ударне свердління» <b>IT</b> .   |

## 10 Утилізація



### ПОПЕРЕДЖЕННЯ

**Ризик отримання травм внаслідок неналежної утилізації!** Небезпека для здоров'я внаслідок контакту з газами або рідинами, що виходять з акумуляторної батареї.

- ▶ Пошкоджені акумуляторні батареї забороняється пересилати поштою або кур'єрською службою!
- ▶ Закрийте контакти акумуляторних батарей електронепровідним матеріалом, щоб запобігти короткому замиканню.
- ▶ Утилізуйте акумуляторні батареї таким чином, щоб вони не потрапили до рук дітей.
- ▶ Щоб утилізувати акумуляторну батарею, передайте її до найближчого магазину **Hilti Store** або зверніться до представника відповідної компанії з утилізації відходів.

Більшість матеріалів, з яких виготовлено інструменти компанії **Hilti**, придатні для вторинної переробки. Передумовою для їхньої вторинної переробки є належне сортування відходів за типом матеріалу. У багатьох країнах світу компанія **Hilti** приймає старі інструменти для їхньої утилізації. Щоб отримати додаткову інформацію, звертайтеся до сервісної служби компанії **Hilti** або до свого торгового консультанта.



- ▶ Не викидайте електроінструменти, електронні пристрої та акумуляторні батареї у баки для побутового сміття!

## 11 Гарантійні зобов'язання виробника

- ▶ З питань гарантії, будь ласка, звертайтеся до найближчого партнера компанії **Hilti**.

## 12 Додаткова інформація

Щоб ознайомитися із додатковою інформацією про застосування й технічне обслуговування інструмента, його вплив на навколишнє середовище, а також про його утилізацію, будь ласка, скористайтеся цим посиланням: [qr.hilti.com/manual/?id=2275217&id=2275219](http://qr.hilti.com/manual/?id=2275217&id=2275219)

Це посилання також наведене наприкінці документа у вигляді QR-коду.



# Түпнұсқа пайдалану бойынша нұсқаулық

## 1 Құжаттама бойынша деректер

### 1.1 Бұл құжаттама туралы



#### Импорттауыш және өндірушінің өкілетті ұйымы

- (RU) Ресей Федерациясы  
"Хилти Дистрибьюшн ЛТД" АҚ, 141402, Мәскеу облысы, Химки қ., Ленинградская көш., ғим. 25
- (BY) Беларусь Республикасы  
222750, Минск облысы, Дзержинский ауданы, Р-1, 18-ші км, 2 (Слободка ауылының жанында), 1-34 бөлімі
- (KZ) Қазақстан Республикасы  
Қазақстан Республикасы, индекс 050011, Алматы қ., Пугачев көш., 4-үй
- (KG) Қырғыз Республикасы  
"Т AND Т" ЖШҚ, 720021, Қырғызстан, Бішкек қ., Ибраимов көш., 29 А үйі
- (AM) Армения Республикасы  
Эйч-Кон ЖШҚ, Армения Республикасы, Ереван қ., Бабаян көш., 10/1 үйі

Өндірілген елі: жабдықтағы белгілеу тақтайшасын қараңыз.

Өндірілген күні: жабдықтағы белгілеу тақтайшасын қараңыз.

Тиісті сертификатты мына мекенжай бойынша табуға болады: [www.hilti.ru](http://www.hilti.ru)

Сақтау, тасымалдау және пайдалану шарттарына пайдалану бойынша нұсқаулықта белгіленгеннен басқа арнайы талаптар қойылмайды.

Өнімнің қызмет ету мерзімі 5 жыл.

- Іске қосу алдында осы құжаттаманы оқып шығыңыз. Бұл қауіпсіз жұмыс пен ақаусыз басқару үшін алғышарт болып табылады.
- Осы құжаттамадағы және өнімдегі қауіпсіздік және ескерту нұсқауларын орындаңыз.
- Пайдалану бойынша нұсқаулықты әрдайым өнімде сақтаңыз және оны басқа тұлғаларға тек осы нұсқаулықпен бірге тапсырыңыз.

### 1.2 Шартты белгілердің анықтамасы

#### 1.2.1 Ескерту

Ескертулер өнімді қолдану барысындағы қауіптер туралы ескертеді. Төмендегі сигналдық сөздер пайдаланылады:

#### ҚАУІПТІ

##### ҚАУІПТІ!

- ▶ Ауыр жарақаттарға әкелетін немесе өмірге қауіп төндіретін тікелей қауіпті жағдайдың жалпы белгіленуі.

#### ЕСКЕРТУ

##### ЕСКЕРТУ!

- ▶ Ауыр жарақаттарға әкелуі немесе өмірге қауіп төндіруі мүмкін ықтимал қауіпті жағдайдың жалпы белгіленуі.

#### АБАЙЛАҢЫЗ

##### АБАЙЛАҢЫЗ!

- ▶ Жарақат алуға немесе мүліктің зақымдалуына әкелуі мүмкін ықтимал қауіпті жағдайдың жалпы белгіленуі.

#### 1.2.2 Пайдалану бойынша нұсқаулықтағы белгілер

Бұл пайдалану бойынша нұсқаулықта төмендегі белгілер пайдаланылады:



|  |  |
|--|--|
|  | Пайдалану бойынша нұсқаулықты ұстану                                 |
|  | Аспапты пайдалану бойынша нұсқаулар және басқа пайдалы ақпарат       |
|  | Қайта пайдалануға болатын материалдармен жұмыс істеу                 |
|  | Электр аспаптарды және аккумуляторларды тұрмыстық қоқысқа тастамаңыз |
|  | <b>Hilti</b> Li-Ion аккумуляторы                                     |
|  | <b>Hilti</b> зарядтағыш құрылғысы                                    |

### 1.2.3 Суреттердегі белгілер

Суреттерде төмендегі белгілер қолданылады:

|   |  |
|---|--|
|   | Бұл сандар осы пайдалану бойынша нұсқаулықтың басындағы тиісті суретке сәйкес келеді.  |
| 3 | Нөмірлеу суреттегі жұмыс қадамдарының реттілігін білдіреді және мәтіндегі жұмыс қадамдарынан өзгешеленуі мүмкін.                   |
|   | Позиция нөмірлері <b>Шолу</b> суретінде қолданылады және <b>Өнімге шолу</b> мақаласындағы шартты белгілердің нөмірлеріне сілтейді. |
|   | Аталмыш белгілер өнімді қолдану барысында айрықша назарыңызды аудартады.   |

## 1.3 Өнімге қатысты белгілер

### 1.3.1 Қосымша белгілер

Төмендегі белгілер аталмыш құжаттамада немесе өнімде қосымша қолданылуы мүмкін:

|               |  |
|---------------|--|
|               | Соққысыз бұрғылау  |
|               | Соққымен бұрғылау (соғып бұрғылау)   |
| $P_0$         | Жүктемесіз номиналды айналу жиілігі  |
| /min          | Минут ішіндегі айналымдар  |
| $\varnothing$ | Диаметр  |
|               | Айналу бағытын өзгерту   |
|               | Тұрақты ток  |
| Li-Ion        | Li-Ion аккумуляторы  |
|               | Өнім iOS және Android платформаларымен үйлесімді NFC технологиясын қолдайды.                               |
|               | Аккумуляторды еш жағдайда соқпа құрал ретінде пайдаланбаңыз.   |
|               | Аккумуляторды құлатып жібермеңіз. Соққы тиген немесе басқа жолмен зақымдалған аккумуляторды пайдаланбаңыз. |

### 1.4 Өнім туралы ақпарат

өнімдері кәсіби пайдаланушыларға арналған және оларды тек қана өкілетті, білікті қызметкерлер пайдалануы, күтім және техникалық қызмет көрсетуі тиіс. Қызметкерлер қауіпсіздік техникасы бойынша арнайы нұсқау алуы керек. Өнім мен оның қосалқы құралдарын басқа мақсатта қолдану немесе олардың оқытылмаған қызметкерлердің тарапынан пайдаланылуы қауіпті.

Түр сипаттамасы мен сериялық нөмір фирмалық тақтайшада берілген.



- ▶ Сериялық нөмірді төмендегі кестеге көшіріп қойыңыз. Өнім туралы мәліметтерді өкілдігімізге немесе қызмет көрсету бөлімімізге сұрау беру арқылы алуға болады.

**Өнім туралы мәліметтер**

|                                     |                    |
|-------------------------------------|--------------------|
| Бұрауыш дрель   соқпа бұрауыш дрель | SF 6-22   SF 6H-22 |
| Буын                                | 03                 |
| Сериялық нөмір                      |                    |

**1.5 Сәйкестілік декларациясы**

Өндіруші осы нұсқаулықта сипатталған өнімнің қолданыстағы заңнамаға және қолданыстағы стандарттарға сәйкес екендігін толық жауапкершілікпен жариялайды. Сәйкестілік декларациясының суреті осы құжаттаманың соңында орналасқан.

Техникалық құжаттама мына жерде сақталған:

Hilti Entwicklungsgesellschaft mbH | Zulassung Geräte | Hiltistraße 6 | 86916 Kaufering, DE

**2 Қауіпсіздік**

**2.1 Электр құралдары үшін қауіпсіздік техникасы бойынша жалпы нұсқаулар**

**⚠ ЕСКЕРТУ** Бұл электр құралына арналған барлық қауіпсіздік нұсқауларын, нұсқауларды, суреттерді және техникалық деректерді оқып шығыңыз. Төменде берілген нұсқауларды орындамау электр тогының соғуына, өртке әкелуі мүмкін және/немесе ауыр жарақаттарды тудыруы мүмкін.

**Қауіпсіздік техникасы бойынша барлық нұсқауларды және нұсқауларды келесі пайдаланушы үшін сақтаңыз.**

Қауіпсіздік нұсқауларында қолданылатын «электр құралы» термині электр желісінен (желілік кабельмен) және аккумулятордан (желілік кабельсіз) жұмыс істейтін электр құралын білдіреді.

**Жұмыс орны**

- ▶ **Жұмыс орнындағы тазалықты және тәртіпті қадағалаңыз.** Жұмыс орнындағы ретсіздік және нашар жарық сәтсіз жағдайларға әкелуі мүмкін.
- ▶ **Жанғыш сұйықтықтар, газдар немесе шаң бар жарылыс қаупі бар аймақта электр құралын қолданбаңыз.** Жұмыс кезінде электр құралдары ұшқындар шығады және ұшқындар шаңды немесе буларды тұтандыруы мүмкін.
- ▶ **Балалардың және бөгде адамдардың жұмыс істеп тұрған электр құралына жақындауына рұқсат етпеңіз.** Жұмысқа көңіл бөлмегенде, электр құралын бақылау жоғалуы мүмкін.

**Электр қауіпсіздігі**

- ▶ **Электр құралдың байланыс ашасы электр желісінің розеткасына сай болуы керек.** Айырдың конструкциясын өзгертпеңіз. Қорғауыш жерге қосуы бар электр құралдарымен бірге өтпелі айырларды қолданбаңыз. Түпнұсқа айырлар және оларға сай розеткалар электр тогының соғу қаупін азайтады.
- ▶ **Жерге қосылған беттерге, мысалы, құбырларға, жылыту құралдарына, пештерге (плиталарға) және тоңазытқыштарға тікелей тиюді болдырмаңыз.** Жерге қосылған заттарға тигенде электр тогының соғуының үлкен қаупі туындайды.
- ▶ **Электр құралдарды жаңбырдан немесе ылғал әсерінен сақтаңыз.** Электр құралға су тиюі нәтижесінде электр тогының соғу қаупі артады.
- ▶ **Байланыс сымын басқа мақсатта қолданбаңыз, мысалы, электр құралды тасымалдау, оны іліп қою немесе электр желісінің розеткасынан айырды шығару үшін.** Байланыс сымын жылу, май, өткір жиектер немесе жылжымалы бөліктерден алшақ ұстаңыз. Байланыс сымының зақымдалуы немесе қабаттасуы нәтижесінде электр тогының соғу қаупі артады.
- ▶ **Егер жұмыстар ашық ауада орындалса, тек бөлмелерден тыс қолдануға жарамды ұзартқыш сымды пайдалану электр тогының соғу қаупін азайтады.**
- ▶ **Егер электр құралмен ылғалдылық жағдайларында жұмыс істеуді болдырмау мүмкін емес болса, шығып кететін токтан қорғау автоматын қолданыңыз.** Шығып кететін токтан қорғау автоматын қолдану электр тогының соғу қаупін азайтады.

**Адамдардың қауіпсіздігі**

- ▶ **Ұқыпты болыңыз, әрекеттеріңізге көңіл бөліңіз және электр құралымен жұмыс істеуге дұрыс қараңыз.** Шаршаған кезде немесе есірткі, алкоголь не дәрі қабылдаған соң электр құралын қолданбаңыз. Электр құралын қолданған кездегі зейінсіздік ауыр жарақаттарға апарып соғуы мүмкін.



- ▶ **Жеке қорғану құралдарын пайдаланыңыз және әрқашан міндетті түрде қорғауыш көзілдірікті киіңіз.** Электр құралының түріне және пайдалану жағдайларына байланысты жеке қорғану құралдарын, мысалы, шаңнан қорғайтын респираторды, сырғымайтын аяқ киімді, қорғауыш шлемді, естуді қорғау құралдарын қолдану жарақаттану қаупін азайтады.
- ▶ **Электр құралының кездейсоқ қосылуын болдырмаңыз.** Электр қуатына қосу және/немесе аккумуляторды қою, көтеру немесе тасымалдау алдында электр құралы өшірілгеніне көз жеткізіңіз. Электр құралын тасымалдағанда саусақтар сөндіргіште болатын немесе қосылған электр құралы желіге қосылатын жағдайлар сәтсіз жағдайларға әкелуі мүмкін.
- ▶ **Электр құралын қосу алдында реттеуші құрылғыларды және гайка кілтін алыңыз.** Электр құралының айналатын бөлігіндегі аспап немесе кілт жарақаттарға әкелуі мүмкін.
- ▶ **Жұмыс кезінде ыңғайсыз қалыптарға тұрмауға тырысыңыз.** Үнемі тұрақты күйді және тепе-теңдікті сақтаңыз. Бұл қлптеген жағдайларда электр құралын жақсырақ басқаруға мүмкіндік береді.
- ▶ **Арнайы киімді киіңіз. Өте бос киімді немесе әшекейлерді кимеңіз.** Шашты, киімді және қолғапты электр құралының айналатын түйіндерінен сақтаңыз. Бос киім, әшекейлер және ұзын шаш оларға ілінуі мүмкін.
- ▶ **Егер шаңды жинау және кетіруге арналған құрылғыларды қосу қарастырылған болса, олар қосылғанына және мақсаты бойынша қолданылып жатқанына көз жеткізіңіз.** Шаңды кетіру модулін пайдалану шаңның зиянды әсерін азайтады.
- ▶ **Өз мойныңызға қате қауіпсіздік сезімін алмаңыз және электр құралына арналған қауіпсіздік ережелерін бұзбаңыз, тіпті электр құралын жиі қолданатын тәжірибелі пайдаланушы болсаңыз.** Мұқиятсыз қолдану бірнеше секундта ауыр жарақаттануға апарып соғуы мүмкін.

#### **Электр құралын қолдану және оған қызмет көрсету**

- ▶ **Аспапқа шамадан тыс жүктеме түсуін болдырмаңыз.** Нақ осы жұмысқа арналған электр құралын қолданыңыз. Бұл ережені сақтау көрсетілген қуат диапазонында жоғарырақ жұмыс сапасын және қауіпсіздігін қамтамасыз етеді.
- ▶ **Сөндіргіші бұзылған электр құралын қолданбаңыз.** Қосу немесе өшіру қиын электр құралы қауіпті және оны жөндеу керек.
- ▶ **Электр құралын реттеуге, саймандарды ауыстыруға кірісу алдында немесе жұмыстағы үзіліс алдында розеткадан ашаны және/немесе электр құралынан алмалы-салмалы аккумуляторды шығарыңыз.** Бұл сақтық шарасы электр құралының кездейсоқ қосылуын болдырмайды.
- ▶ **Қолданылмайтын электр құралдарын балалар жетпейтін жерде сақтаңыз.** Аспаппен таныс емес немесе осы нұсқауларды оқып шықпаған адамдарға аспапты пайдалануға рұқсат бермеңіз. Электр құралдары тәжірибесі жоқ пайдаланушылардың қолында қауіпті болады.
- ▶ **Электр құралдары мен керек-жарақтарға ұқыпты қараңыз.** Айналмалы бөліктердің мүлтіксіз қызмет ететінін, олардың жүрісінің жеңілдігін, барлық бөліктердің тұтастығын және электр құралының жұмысына теріс әсер етуі мүмкін зақымдардың жоқтығын тексеріңіз. Аспаптың зақымдалған бөліктерін оны қолдану алдында жөндеуге өткізіңіз. Электр құралына техникалық қызмет көрсету ережелерін сақтамау көп сәтсіз жағдайлардың себебі болып табылады.
- ▶ **Кескіш аспаптардың үшкір және таза болуын қадағалау керек.** Жұмыс күйінде сақталатын кескіш аспаптардың сыналануы сиректеу болады, оларды басқару жеңілдеу.
- ▶ **Электр құралын, саймандарды, көмекші құрылғыларды және т.б. нұсқауларға сай пайдаланыңыз.** Бұл кезде жұмыс жағдайларын және орындалатын жұмыстың сипатын ескеріңіз. Электр құралдарын басқа мақсаттарда қолдану қауіпті жағдайларға әкелуі мүмкін.
- ▶ **Тұтқыштар мен тұтқыш беттерін таза, құрғақ, май іздерінсіз ұстаңыз.** Сырғанақ тұтқыштар мен олардың беттері белгілі бір жағдайларда электр құралының қауіпсіз қолданылуы мен басқарылуына жол бермейді.

#### **Аккумуляторлық аспапты пайдалану және оған қарау**

- ▶ **Аккумуляторды тек өндіруші ұсынған зарядтағыш құрылғылардың көмегімен зарядтаңыз.** Зарядтағыш құрылғыны тиісті емес аккумулятор түрлерін зарядтау үшін қолданғанда өрт туындауы мүмкін.
- ▶ **Аспаппен жұмыс істеу үшін тек тиісті аккумуляторларды қолданыңыз.** Басқа аккумуляторларды пайдалану жарақаттарға әкелуі және өрт тудыруы мүмкін.
- ▶ **Пайдаланылмайтын аккумуляторларды контактардың тұйықталуының себебі болуы мүмкін скрепалардан, тындардан, кілттерден, инелерден, винттерден және басқа металл заттардан ары сақтаңыз.** Аккумулятор контактарының тұйықталуы күйіктерге немесе тұтануға әкелуі мүмкін.
- ▶ **Аккумулятормен тиісті емес түрде жұмыс істегенде одан электролит ағып шығуы мүмкін. Оған тиюді болдырмаңыз.** Кездейсоқ тигенде сумен шайыңыз. Электролит көзге тигенде дәрігер





көмегіне жүгініңіз. Аккумулятордан ағып шыққан электролит тері тітіркенуін немесе күйіктерді тудыруы мүмкін.

- ▶ **Зақымдалған не пішіні өзгертілген аккумуляторларды қолданбаңыз.** Зақымдалған не пішіні өзгертілген аккумуляторларды болжауға болмайды және олар өрт, жарылыс не жарақаттану қаупін тудырады.
- ▶ **Аккумуляторды өрт не жоғары температуралы аймақтардан алшақ ұстаңыз.** Өрт немесе 130 °C (265 °F) жоғары температуралар жарылыс тудыруы мүмкін.
- ▶ **Зарядтау үшін барлық нұсқауларды орындаңыз және аккумулятор не аккумуляторлық құралды ешқашан пайдалану бойынша нұсқаулықта берілген температура ауқымдарынан тыс зарядтамаңыз.** Қате зарядтау немесе рұқсатты температура ауқымдарынан тыс зарядтау аккумуляторды бұзуы және өрт қаупін арттыруы мүмкін.

#### Қызмет

- ▶ **Электр құралын жөндеуді тек түпнұсқа қосалқы бөлшектерді қолданатын білікті қызметкерлерге сеніп тапсырыңыз.** Бұл электр құралын қауіпсіз күйде сақтауды қамтамасыз етеді.
- ▶ **Зақымдалған аккумуляторларға ешқашан қызмет көрсетпеңіз.** Аккумулятордың толық күтімін тек өндіруші немесе өкілетті қызмет көрсету орталықтары орындауы тиіс.

## 2.2 Дрельдермен жұмыс істегендегі қауіпсіздік техникасы бойынша нұсқаулар

### Барлық жұмыстарға арналған қауіпсіздік техникасы бойынша нұсқаулар

- ▶ **Соққымен бұрғылау кезінде қорғауыш құлаққапты киіңіз.** ШУ әсерінің нәтижесінде есту қабілеті жоғалуы мүмкін.
- ▶ **Қосымша тұтқышты пайдаланыңыз.** Аспапты бақылауды жоғалту жарақаттарға әкелуі мүмкін.
- ▶ **Жұмыс құралы немесе бұрандалар жасырын электр сымдарына тиіп кетуі мүмкін болатын жұмыстарды жүзеге асыру кезінде электр құралын оқшауланған беттерінен ұстаңыз.** Электр сымдарына тигенде аспаптың қорғалмаған металл бөліктері кернеу астында болады. Бұл электр тогының соғуына әкелуі мүмкін.

### Ұзын бұрғы пайдаланылған кездегі қауіпсіздік техникасы бойынша нұсқаулар

- ▶ **Бұрғы үшін рұқсат етілген максималды айналу жиілігінен жоғары айналу жиілігімен еш жағдайда жұмыс істемейсіз.** Айналу жиілігі жоғары болған жағдайда бұрғы дайындамамен жанаспай еркін айналғаннан сәл қисайып кетуі және жарақаттануға апарып соғуы мүмкін.
- ▶ **Бұрғылау әрекетін әрдайым төмен айналу жиілігімен және бұрғы дайындамамен жанаспай тұрғанда ғана бастаңыз.** Айналу жиілігі жоғары болған жағдайда бұрғы дайындамамен жанаспай еркін айналғаннан сәл қисайып кетуі және жарақаттануға апарып соғуы мүмкін.
- ▶ **Шамадан артық қысым қолданбаңыз және тек қана бойлық бағытпен бұрғылаңыз.** Бұрғылар қисайып жарылуы мүмкін немесе бақылау мүмкіндігінен айырылып, жарақат алуыңыз мүмкін.

## 2.3 Қауіпсіздік техникасы бойынша қосымша нұсқаулар, гайка бұрауыш

- ▶ Өнімді және керек-жарақтарды тек техникалық мінсіз күйінде қолданыңыз.
- ▶ Өнімде немесе керек-жарақтарда ешқандай манипуляциялар не өзгерістер орындамаңыз.
- ▶ Жұмысты бастамас бұрын жұмыс аймағында жасырын сымдардың, газ бен су құбырларының бар-жоғын тексеріп шығыңыз. Қуыт сымына, газ немесе су құбырына зақым келтірген жағдайда, өнімнің сыртындағы металл бөліктер ток соғуға немесе жарылысқа әкелуі мүмкін.
- ▶ Ахjarлау, егеуқұм қағазымен тазалау, кесу және бұрғылау кезінде пайда болатын шаңның құрамында қауіпті химиялық заттар болуы мүмкін. Мысалдары келесідей: қорғасын немесе қорғасын негізіндегі бояулар; плитка, бетон және басқа кірпіш қалау өнімдері, табиғи тас және басқа силикаттық өнімдер; өмен, шамшат және химиялық затпен өңделген сүрек сияқты белгілі бір сүрек түрлері; асбест немесе құрамында асбест бар материалдар. Пайдаланушы мен оның айналасындағы адамдарға әсер ету дәрежесін өңдеу орындалатын материалдардың қауіп класы бойынша анықтаңыз. Әсерді қауіпсіз деңгейде сақтау үшін шаң жинайтын жүйелерді пайдалану немесе арнайы тыныс алу органдарының қорғанысын киіп жүру сияқты қажетті шараларды қолданыңыз. Әсер ету дәрежесін азайту бойынша жалпы шараларға төмендегілер жатады:
  - ▶ Жақсы желдетілген аймақта жұмыс істеу,
  - ▶ Шаңның ұзақ уақыт бойы тиюіне жол бермеу,
  - ▶ Шаңды көз бен денеден алыстату,
  - ▶ Қорғаныс киімін киіп жүру және әсер етілген жерлерді сумен және сабынмен жуу.
- ▶ Құлап қалған құралдардан және/немесе керек-жарақтардан жарақат алу қаупі бар. Жұмысты бастамас бұрын аккумулятор мен қондырылған керек-жарақтың берік бекітілгеніне көз жеткізіңіз.



- ▶ Тесіп өтетін бұрғылау кезінде қауіпті аймақты қабырғаның қарама-қарсы жағынан қоршаңыз. Сыртқа шығатын немесе төмен түсетін сынықтар жарақаттауы мүмкін.
  - ▶ Өнім қабырға кенет бұзылған жағдайда тепе-теңдігіңізден айырылуға әкелуі мүмкін. Қабырғаларда немесе төбелерде бұзу жұмыстарын өткізген кезде тұрақтылықты және тепе-теңдікті сақтаңыз.
- ▶ Дөкір биттерді қолданбаңыз.
- ▶ Өнім жинағына кіретін қосымша тұтқыштарды қолданыңыз. Аспапты басқаруды жоғалту жарақаттарға әкелуі мүмкін. Қосымша тұтқыштың сенімді орнатылғанына және берік бекітілгеніне көз жеткізіңіз.
- ▶ Өнімді жұмыс күйіне орнатылғаннан кейін ғана қосыңыз.
- ▶ Өнімді әрқашан екі қолмен тұтқыштарынан берік ұстаңыз. Тұтқышты құрғақ әрі таза күйінде ұстаңыз.
- ▶ Желдету саңылауларын әрдайым бос ұстаңыз. Үсті жабылған желдету саңылауларынан өрт қаупі туындайды!
- ▶ Аспаптың айналатын бөлшектеріне тиемеңіз - жарақат алу қаупі бар!
- ▶ Өнімді қолдану барысында қорғауыш көзілдірікті, қорғауыш касканы, қорғауыш құлаққапты және арнайы респираторды киіп жүріңіз.
- ▶ Қорғауыш көзілдіріктерді пайдаланыңыз. Материалдың сынықтары денені және көзді жарақаттауы мүмкін.
- ▶ Өнімнің жарығына (жарық диоды) тікелей қарамаңыз және жарықты басқа адамдардың көзіне тікелей бағыттамаңыз. Соқырлық қаупі бар.
- ▶ Саусақтың қан айналымын жақсарту үшін жиі үзіліс жасап, жаттығу жасаңыз. Ұзақ уақыт жұмыс істеген кезде, қатты дірілдердің салдарынан саусақ, қол не буындардың қантамыры не жүйкесіне теріс әсер тиюі мүмкін.
- ▶ Өнімді алып тастау алдында ол толығымен тоқтағанша күтіңіз.
- ▶ Қуралды алмастырған кезде қорғауыш қолғап киіңіз. Алмалы-салмалы аспапқа тию кесіктерге және күйіктерге апарып соғуы мүмкін.

#### **2.4 Аккумулятормен дұрыс жұмыс істеу және оны дұрыс пайдалану**

- ▶ **Литий-иондық аккумуляторларды пайдалану және күту бойынша төмендегі қауіпсіздік шараларын орындаңыз.** Нұсқауларды орындамау тері тітіркенуіне, ауыр тот басқыш жарақаттарға, химиялық күйіктерге, өртенуге және/немесе жарылысқа апарып соғуы мүмкін.
- ▶ Аккумуляторларды тек техникалық мінсіз күйінде қолданыңыз.
- ▶ Зақымдалуды болдырмау және денсаулыққа қатты зиян келтіре алатын сұйықтықтардың шығуына жол бермеу үшін аккумуляторларды абайлап қолданыңыз!
- ▶ Аккумуляторларды ешбір жағдайда модификациялауға немесе құрылымына өзгеріс енгізуге болмайды!
- ▶ Аккумуляторларды бөлшектеуге, қысуға, 80°C (176°F) жоғары температураға дейін қыздыруға және жағуға тыйым салынады.
- ▶ Соққы тиген немесе басқаша зақымдалған аккумуляторларды пайдаланбаңыз немесе зарядтамаңыз. Аккумуляторларда зақымдалу белгілерінің бар-жоғын жүйелі түрде тексеріп тұрыңыз.
- ▶ Еш жағдайда қайта өңделген немесе жөнделген аккумуляторларды пайдаланбаңыз.
- ▶ Ешқашан аккумуляторды немесе аккумуляторлық электр құралын соқпа құрал ретінде пайдаланбаңыз.
- ▶ Аккумуляторларға ешқашан тікелей күн сәулесі, жоғары температура, ұшқын немесе ашық жалын әсерін тигізбеңіз. Бұл жарылысқа апарып соғуы мүмкін.
- ▶ Батарея полюсіне саусақпен, құралдармен, әшекеймен немесе басқа да электр тогын өткізетін бөгде заттармен тиемеңіз. Бұл аккумуляторға зақым келтіруі, сондай-ақ мүлікке залал келтіруі және жарақат алуға әкелуі мүмкін.
- ▶ Аккумуляторларды жаңбыр, ылғал мен сұйықтықтарда алшақ ұстаңыз. Еніп кеткен ылғал қысқа тұйықталу, ток соғу, күйіп қалу, өртену және жарылыс қаупін тудыруы мүмкін.
- ▶ Тек осы аккумулятор түрі үшін көзделген зарядтағыш құрылғылар мен электр құралдарын пайдаланыңыз. Бұл ретте тиісті пайдалану бойынша нұсқаулықтардағы мәліметтерге назар аударыңыз.
- ▶ Аккумуляторды жарылғыш орталарда пайдаланбаңыз немесе сақтамаңыз.



- ▶ Егер тиген кезде аккумулятор тым ыстық болса, ол ақаулы болуы мүмкін. Аккумуляторды тұтанғыш материалдардан жеткілікті қашықтықта орналасқан, жақсы көрінетін, тұтанбайтын жерге қойыңыз. Аккумуляторды суытыңыз. Аккумулятор бір сағаттан кейін әлі де қолға ыстық болып тұрса, бұл оның ақаулы екендігін білдіреді. **Hilti** қызмет көрсету орталығына жолығыңыз немесе «Қауіпсіздік және **Hilti** Li-Ion аккумуляторын пайдалану бойынша нұсқаулар» атты құжатты оқып шығыңыз.

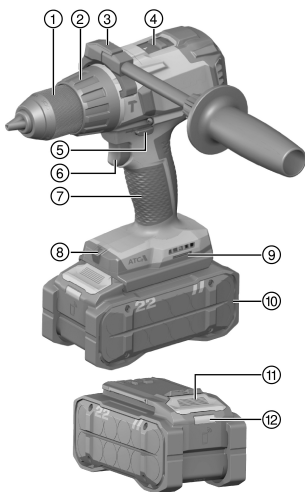


Литий-иондық аккумуляторларды тасымалдау, сақтау және пайдалану үшін қолданылатын арнайы директиваларды ескеріңіз. → Бет 67

Аталмыш пайдалану бойынша нұсқаулықтың соңындағы QR кодын сканерлеу арқылы табуға болатын **Hilti** Li-Ion аккумуляторларына арналған қауіпсіздік және пайдалану бойынша нұсқауларды оқып шығыңыз.

### 3 Сипаттама

#### 3.1 Өнімге шолу



- ① Жылдам тартылатын патрон
- ② Айналу моменті мен жұмысқа арналған реттеу сақинасы
- ③ Бүйірлік тұтқыш
- ④ Жылдамдық ауыстырып-қосқышы
- ⑤ Тасымалдау бекіткіші бар солға/оңға айнарудың ауыстырып-қосқышы
- ⑥ Айналу жиілігі электрондық түрде басқарылатын реттелетін негізгі сәндіргіш
- ⑦ Тұтқа
- ⑧ Жұмыс орнын жарықтандыру (жарық диоды)
- ⑨ Керек-жарақтарға арналған монтаждық саңылау
- ⑩ Аккумулятор
- ⑪ Аккумуляторды құлыптан босату түймесі
- ⑫ Аккумулятордың күй индикаторы

#### 3.2 Мақсатына сай қолдану

Сипатталған өнім қолмен басқарылатын аккумуляторлық бұрауыш дрель болып табылады. Ол болат, ағаш пен пластикте, жеңіл бетон мен кірпіш қалауда бұрғылауға және бұрандаларды бұрап енгізу және шығаруға арналған.

- Бұл өнім үшін тек В 22 сериялы **Hilti** Nuron Li-Ion аккумуляторларын пайдаланыңыз. **Hilti** компаниясы бұл өнім үшін оңтайлы қуатқа қол жеткізу мақсатында осы пайдалану бойынша нұсқаулықтың соңындағы кестеде көрсетілген аккумуляторларды пайдалануға кеңес береді.
- Бұл аккумуляторлар үшін тек осы пайдалану бойынша нұсқаулықтың соңындағы кестеде белгіленген серияларға жататын **Hilti** зарядтағыш құрылғыларын қолданыңыз.

#### 3.3 АТС

Өнім электрондық апаттық тоқтату құралымен АТС (Active Torque Control) жабдықталған.

Егер алмалы-салмалы аспап бұғатталса немесе қысылып қалса, өнім кенеттен кері бағытпен бақылаусыз айнала бастайды. АТС өнімнің мұндай кенет айналу қозғалысын анықтап, өнімді бірден тоқтатады.



Өнім қалыпты жұмыс істеуі үшін айналу мүмкіндігін сақтауы тиіс.

Жылдам өшіру орындалған соң, өнімді өшіріп қайта қосыңыз.



### 3.4 Артық жүктеме және қызып кету индикаторы

Өнім артық жүктемеден және қызып кетуден электрондық қорғаныспен жабдықталған. Артық жүктеме түскен немесе қызып кеткен жағдайда өнім автоматты түрде өшеді. Негізгі сәндірігішті жіберіп, қайтадан бассаңыз, қайтадан қосылу күту уақыты аяқталғаннан (өнімнің суу кезеңі) кейін орындалуы мүмкін.

### 3.5 Li-Ion аккумуляторының индикаторлары

Hilti Nuron Li-Ion аккумуляторлары аккумуляторлардың заряд деңгейін, ақаулық туралы хабарларын және күйін көрсете алады.

#### 3.5.1 Заряд деңгейінің және ақаулық туралы хабарлардың индикаторлары



#### ЕСКЕРТУ

##### Жарақат алу қаупі аккумулятордың құлауынан!

- ▶ Аккумулятор енгізілген кезде, құлыптан босату түймесін басқаннан кейін аккумулятордың пайдаланылатын өнімге тиісінше бекітілгеніне көз жеткізіңіз.

Төмендегі индикация көрсеткіштерінің біріне қол жеткізу үшін аккумулятордың құлыптан босату түймесін қысқаша басыңыз.

Заряд деңгейі және ықтимал ақаулықтар жалғанған өнім қосылып тұрған кезде үздіксіз көрсетіледі.

| Құралдың бөлшектері                                  | Сипаттамасы   |
|--|---|
| Төрт (4) жарық диоды жасыл түспен тұрақты жанып тұр  | Заряд деңгейі: 100% және 71% аралығында   |
| Үш (3) жарық диоды жасыл түспен тұрақты жанып тұр    | Заряд деңгейі: 70% және 51% аралығында  |
| Екі (2) жарық диоды жасыл түспен тұрақты жанып тұр   | Заряд деңгейі: 50% және 26% аралығында  |
| Бір (1) жарық диоды жасыл түспен тұрақты жанып тұр   | Заряд деңгейі: 25% және 10% аралығында  |
| Бір (1) жарық диоды жасыл түспен баяу жыпылықтайды   | Зарядтау күйі: < 10%  |
| Бір (1) жарық диоды жасыл түспен жылдам жыпылықтайды | Li-Ion аккумуляторының заряды толықтай таусылды. Аккумуляторды зарядтаңыз. Жарық диоды аккумуляторды зарядтағаннан кейін сонда да жылдам жыпылықтаса, <b>Hilti</b> қызмет көрсету орталығына хабарласыңыз.  |
| Бір (1) жарық диоды сары түспен жылдам жыпылықтайды  | Li-Ion аккумуляторы немесе оған байланысты өнімге артық жүктеме түсті, қатты қызып кетті немесе басқа ақаулық орын алды.<br>Өнім мен аккумуляторды ұсынылған жұмыс температурасына жеткізіңіз және өнімді пайдаланған кезде оған артық жүктеме түсірмеңіз.<br>Хабар көрсетіле берсе, <b>Hilti</b> қызмет көрсету орталығына хабарласыңыз. |
| Бір (1) жарық диоды сары түспен жанып тұр            | Li-Ion аккумуляторды және оған қосылған өнім үйлесімді емес. <b>Hilti</b> қызмет көрсету орталығына хабарласыңыз.   |
| Бір (1) жарық диоды қызыл түспен жылдам жыпылықтайды | Li-Ion аккумуляторы құлыптаулы және оны бұдан былай пайдалану мүмкін емес. <b>Hilti</b> қызмет көрсету орталығына хабарласыңыз.   |

#### 3.5.2 Аккумулятор күйін көрсететін индикаторлар

Аккумулятордың күйін шақыру үшін құлыптан босату түймесін үш секундтан артық басып тұрыңыз. Жүйе құлату, тесу, сыртқы жылудан зақым келтіру және т.с.с. қате қолданудан туындаған батареяның ақаулығын анықтамайды.



| Құралдың бөлшектері   | Сипаттамасы   |
|---|---|
| Барлық жарық диодтары жұмыс шамы ретінде жанады, содан кейін бір (1) жарық диоды жасыл түспен тұрақты жанады.     | Аккумуляторды ары қарай пайдалануға болады.   |
| Барлық жарық диодтары жұмыс шамы ретінде жанады, содан кейін бір (1) жарық диоды сары түспен жылдам жыпылықтайды. | Аккумулятор күйі туралы сұрауды орындау мүмкін болмады. Әрекетті қайталаңыз немесе <b>Hilti</b> қызмет көрсету орталығына жолығыңыз.  |
| Барлық жарық диодтары жұмыс шамы ретінде жанады, содан кейін бір (1) жарық диоды қызыл түспен тұрақты жанады.     | Жалғанған өнімді ары қарай пайдалану мүмкін болса, бұл қалған аккумулятор қуатының 50% шамасынан төмен болғанын білдіреді.<br>Жалғанған өнімді ары қарай пайдалану мүмкін болмаса, бұл аккумулятордың қызмет ету мерзімі аяқталғанын және оны алмастыру керек екендігін білдіреді. <b>Hilti</b> қызмет көрсету орталығына хабарласыңыз. |

### 3.6 Жеткізілім жинағы

Бұрауыш дрель, бүйірлік тұтқа, пайдалану бойынша нұсқаулық.

Оған қоса өніміңіз үшін рұқсат етілген жүйелік өнімді **Hilti Store** дүкенінде немесе келесі веб-сайтта табуға болады: [www.hilti.group](http://www.hilti.group)

## 4 Техникалық сипаттамалар

|   | SF 6-22              | SF 6H-22               |
|---|----------------------|------------------------|
| Номиналды кернеу  | 21,6 В <sub>DC</sub> | 21,6 В <sub>DC</sub>   |
| ЕРТА Procedure 01 стандарты бойынша аккумуляторсыз салмағы    | 2,0 кг               | 2,0 кг                 |
| Айналу жылдамдығы   | 1. Беріліс           | 0 А/мин ... 490 А/мин  |
|   | 2. Беріліс           | 0 А/мин ... 2000 А/мин |
| Айналу моменті (жұмсақ бұрандалы қосылым жасау) $\frac{1}{2}$ | ≤ 65 Н·м             | ≤ 65 Н·м               |
| Соққылар жиілігі  | */*                  | 36000 А/мин            |
| Жұмыс кезіндегі қоршаған орта температурасы                   | -17 °C ... 60 °C     | -17 °C ... 60 °C       |
| Сақтау температурасы  | -20 °C ... 70 °C     | -20 °C ... 70 °C       |

### 4.1 Аккумулятор

|   |  |
|---|--|
| Аккумулятордың жұмыс кернеуі                    | 21,6 В   |
| Аккумулятор салмағы                             | Осы пайдалану бойынша нұсқаулықтың соңында қараңыз |
| Жұмыс кезіндегі қоршаған орта температурасы     | -17 °C ... 60 °C                                   |
| Сақтау температурасы                            | -20 °C ... 40 °C                                   |
| Заряптаудың басындағы аккумулятор температурасы | -10 °C ... 45 °C                                   |

### 4.2 Алмалы-салмалы аспаптар үшін рұқсат етілген диаметр

|  | SF 6-22          | SF 6H-22         |
|--|------------------|------------------|
| Ø жылдам тартылатын патронның қысылу диапазоны | 1,5 мм ... 13 мм | 1,5 мм ... 13 мм |
| Ø ағаш бұрғысы (қатты)                         | 1,5 мм ... 20 мм | 1,5 мм ... 20 мм |
| Ø ағаш бұрғысы (жұмсақ)                        | 1,5 мм ... 32 мм | 1,5 мм ... 32 мм |



|   | SF 6-22          | SF 6H-22         |
|---|------------------|------------------|
| Ø металл бұрғысы                                      | 1,5 мм ... 13 мм | 1,5 мм ... 13 мм |
| Ø бетон/кірпіш қабырғада бұрғылау (соққымен бұрғылау) | */*              | 4 мм ... 12 мм   |

#### 4.3 EN 62841 стандарты бойынша шуыл туралы ақпарат және діріл мәні

Осы нұсқауларда көрсетілген дыбыс қысымы мен діріл деңгейі стандартты өлшеу әдісімен өлшенген және оны басқа электр құралдарымен салыстыру үшін пайдалануға болады. Сонымен бірге, ол экспозицияны алдын ала бағалау үшін жарайды.

Берілген деректер электр құралының негізгі жұмысын көрсетеді. Алайда, егер электр құралы басқа мақсаттарда, басқа жұмыс аспаптарымен қолданылса немесе оған қанағаттандырмайтын техникалық қызмет көрсетілсе, деректер өзгеше болуы мүмкін. Осының салдарынан аспаптың бүкіл жұмыс істеу кезеңінде экспозиция айтарлықтай артуы мүмкін.

Экспозицияны дәл анықтау үшін аспап сөндірілген күйде немесе бос жұмыс істейтін уақыт аралықтарын да ескеру керек. Осының салдарынан аспаптың бүкіл жұмыс істеу кезеңінде экспозиция айтарлықтай азаюы мүмкін.

Пайдаланушыны пайда болатын шуылдан және/немесе дірілден қорғау үшін қосымша сақтық шараларын қолданыңыз, мысалы: электр аспабына және жұмыс аспаптарына техникалық қызмет көрсету, қолдардың жылуын сақтау, жұмыс процестерін дұрыс ұйымдастыру.

#### Шуылдың эмиссиялық көрсеткіші

|  | SF 6-22    | SF 6H-22    |
|--|------------|-------------|
| Эмиссиялық дыбыс қысымының деңгейі ( $L_{pA}$ )        | 74,5 дБ(A) | 94,5 дБ(A)  |
| Дыбыс қысымының деңгейі бойынша дәлсіздік ( $K_{pA}$ ) | 5 дБ(A)    | 5 дБ(A)     |
| Дыбыс күшінің деңгейі ( $L_{WA}$ )                     | 85,5 дБ(A) | 105,5 дБ(A) |
| Дыбыс күшінің деңгейі бойынша дәлсіздік ( $K_{WA}$ )   | 5 дБ(A)    | 5 дБ(A)     |

#### Дірілдің жалпы көрсеткіші

|   |          | SF 6-22              | SF 6H-22              |
|---|----------|----------------------|-----------------------|
| Металл бойынша бұрғылауға арналған дірілдің эмиссиялық көрсеткіші ( $a_{h,d}$ )         | B 22-85  | 1,0 м/с <sup>2</sup> | 1,2 м/с <sup>2</sup>  |
|   | B 22-170 | 0,7 м/с <sup>2</sup> | 1,1 м/с <sup>2</sup>  |
| Металл бойынша бұрғылау дәлсіздігі (K)  |          | 1,5 м/с <sup>2</sup> | 1,5 м/с <sup>2</sup>  |
| Бетон бойынша соққымен бұрғылауға арналған дірілдің эмиссиялық көрсеткіші ( $a_{h,d}$ ) | B 22-85  | */*                  | 11,9 м/с <sup>2</sup> |
|   | B 22-170 | */*                  | 10,6 м/с <sup>2</sup> |
| Бетон бойынша соққымен бұрғылаудың дәлсіздігі (K)                                       |          | */*                  | 1,5 м/с <sup>2</sup>  |

## 5 Жұмысқа дайындық

### ЕСКЕРТУ

**Жарақат алу қаупі абайсыздан қосылу себебінен!**

- ▶ Аккумуляторды орнату алдында оған қатысты өнімнің өшірілгеніне көз жеткізіңіз.
- ▶ Аспап реттеулерін орындау немесе қосалқы бөлшектерді алмастыру алдында аккумуляторды шығарыңыз.

Осы құжаттамадағы және өнімдегі қауіпсіздік және ескерту нұсқауларын орындаңыз.

#### 5.1 Аккумуляторды зарядтау

1. Зарядтау алдында зарядтағыш құрылғының пайдалану бойынша нұсқаулығын оқып шығыңыз.
2. Аккумулятордағы және зарядтағыш құрылғыдағы контактілердің таза әрі құрғақ екендігіне көз жеткізіңіз.
3. Аккумуляторды рұқсат етілген зарядтағыш құрылғы ішінде зарядтаңыз. → Бет 61



## 5.2 Аккумуляторды орнату

### ЕСКЕРТУ

**Жарақат алу қаупі қысқа тұйықталудан немесе аккумулятордың құлауынан!**

- ▶ Аккумуляторды орнату алдында аккумулятор контактілерінде және өнімдегі контактілерде бөгде заттардың жоқтығына көз жеткізіңіз.
  - ▶ Аккумулятордың әркез дұрыс орнатылғанына көз жеткізіңіз.
- 
1. Аккумуляторды алғаш рет іске қоспас бұрын зарядтаңыз.
  2. Аккумуляторды өнімге шерту дыбысымен тірелгенше кіргізіңіз.
  3. Аккумулятордың аспапқа берік бекітілгенін тексеріңіз.

## 5.3 Аккумуляторды шығару

1. Аккумулятордың құлыптан босату түймесін басыңыз.
2. Аккумуляторды өнімнен шығарыңыз.

## 5.4 Бүйірлік тұтқаны орнату

### АБАЙЛАҢЫЗ

**Жарақат алу қаупі бар!** Перфоратор басқарудың жоғалуы.

- ▶ Бүйірлік тұтқа дұрыс орнатылғанын және берік бекітілгенін тексеріңіз. Қысқыштар арнайы ойықтарға тиісінше енгізілгеніне көз жеткізіңіз.
- 
1. Бүйірлік тұтқаның қысқыштарын босату үшін тұтқаны бұраңыз.
  2. Бүйірлік тұтқаның ұстағышын корпусқа толықтай енгізіңіз және қысқыштарды арнайы ойықтарға кіргізіңіз.
  3. Бүйірлік тұтқаның ұстағышын керу үшін тұтқаны бұраңыз.

## 5.5 Алмалы-салмалы аспапты енгізу

1. Жылдам қысқыш бұрғылау патронын ашыңыз.
2. Алмалы-салмалы аспапты құрал бекіткішіне салыңыз.
3. Жылдам тартылатын патронды бұрап бекітіңіз.
4. Алмалы-салмалы аспаптың берік бекітілгенін тексеріңіз.

## 5.6 Биіктен құлаудан қорғаныс

### ЕСКЕРТУ

**Жарақат алу қаупі** құралдың және/немесе керек-жарақтың құлауынан!

- ▶ Тек өнім үшін ұсынылған **Hilti** құрал ұстағыш арқанын қолданыңыз.
- ▶ Құрал ұстағыш арқанның бекіту нүктесінде әр пайдалану алдында зақымдардың бар-жоғын тексеріп шығыңыз.
- ▶ Құрал ұстағыш арқанды белдік ілмегіне бекітпеңіз. Белдік ілмегін өнімді көтеру үшін пайдаланбаңыз.

Биік жерде жұмыс істеу бойынша ұлттық нұсқамаларды орындаңыз.

Бұл өнім үшін құлаудан қорғаныс ретінде тек **Hilti** компаниясы ұсынған құлаудан сақтандырғышты және **Hilti** компаниясы ұсынған #2261970 құралдарды ұстағыш арқанының қисындасуын қолданыңыз.

- ▶ Құлаудан сақтандырғышты керек-жараққа арналған монтаждық саңылауларға бекітіңіз. Берік ұсталғанын тексеріңіз.
- ▶ Құралдарды ұстағыш арқанның карабинін құлаудан сақтандырғышқа, ал екінші карабинді жүк көтеретін құрылымға бекітіңіз. Екі карабиннің де берік ұсталғанын тексеріңіз.

**Hilti** құлаудан сақтандырғышының және **Hilti** құралдарды ұстағыш арқанының пайдалану бойынша нұсқаулықтарын ұстаныңыз.



## 6 Қызмет көрсету

### АБАЙПАҢЫЗ

**Алмалы-салмалы құралдың бұғатталуынан жарақат алу қаупі бар !**

- ▶ Бүйірлік тұтқа дұрыс орнатылғанын және берік бекітілгенін тексеріңіз. Өнімді әрқашан екі қолмен тұтқыштарынан берік ұстаңыз.
- ▶ Материалдың шашырауынан қорғану үшін көз қорғанысын қолданыңыз.

Осы құжаттамадағы және өнімдегі қауіпсіздік және ескерту нұсқауларын орындаңыз.

### 6.1 Берілісті таңдау

- ▶ Берілісті таңдаңыз.

### 6.2 Айналу бағытын орнату

- ▶ Оңға/солға айналу ауыстырып-қосқышты оң не солға айналуға орнатыңыз.

### 6.3 Қосу

- ▶ Негізгі сөндіргішті басыңыз.
  - ▶ Өнім жұмыс істеп тұр.



Негізгі сөндіргішті басу тереңдігіне қарай айналу жиілігін біркелкі реттеуге болады.

### 6.4 Бұрап бекіту

- ▶ Айналу моменті мен функцияны реттеу сақинасында қажетті айналу моментін орнатыңыз.

### 6.5 Бұрғылау

- ▶ Айналу моменті мен функцияға арналған реттеу сақинасын күйіне орнатыңыз.

### 6.6 Соққымен бұрғылау

- ▶ Айналу моменті мен функцияға арналған реттеу сақинасын күйіне орнатыңыз.

### 6.7 Өшіру

- ▶ Негізгі сөндіргішті жіберіңіз.
  - ▶ Өнім өшіп қалады.

## 7 Күтім және техникалық қызмет көрсету

### ЕСКЕРТУ

**Акумулятор енгізілген кезде жарақат алу қаупі бар !**

- ▶ Күтім және техникалық қызмет көрсету бойынша кез келген жұмыстарды орындамас бұрын әрдайым аккумуляторды шығарыңыз!

### Өнімге қызмет көрсету

- Қатты жабысып қалған кірді абайлап кетіріңіз.
- Бар болса, желдету саңылауларын құрғақ, жұмсақ қылшақпен жақсылап тазалаңыз.
- Корпусты сәл суланған шүберекпен ғана тазалаңыз. Ешқандай силикон қамтитын күтім құралдарын пайдаланбаңыз, себебі олар пластик бөліктерге зақым келтіре алады.
- Өнімнің контактілерін тазалау үшін таза, құрғақ шүберекті пайдаланыңыз.

### Литий-иондық аккумуляторға қызмет көрсету

- Еш жағдайда желдету саңылаулары бітелген аккумуляторды қолданбаңыз. Желдету саңылауларын құрғақ, жұмсақ қылшақпен жақсылап тазалаңыз.





- Аккумуляторға шаңның немесе кірдің қажетсіз тиюіне жол бермеңіз. Аккумуляторға қатты ылғалдың тиюіне ешқашан жол бермеңіз (мысалы, суға батыру немесе жаңбыр астына қою арқылы). Аккумулятор су болса, оны зақымдалған аккумулятор ретінде қарастырыңыз. Оны тұтанбайтын контейнерге оқшаулап, Hilti қызмет көрсету орталығына хабарласыңыз.
- Аккумуляторды бөгде май мен майлағыштан таза ұстаңыз. Аккумуляторда шаң не кірдің қажетсіз жиналуына жол бермеңіз. Аккумуляторды құрғақ, жұмсақ қылшақпен немесе таза, құрғақ шүберекпен тазалаңыз. Ешқандай силикон қамтитын күтім құралдарын пайдаланбаңыз, себебі олар пластик бөліктерге зақым келтіре алады. Аккумулятордың контактілеріне тиіменіз және зауыттан тыс қолданылған майды контактілерден кетіріңіз.
- Корпусты сәл суланған шүберекпен ғана тазалаңыз. Ешқандай силикон қамтитын күтім құралдарын пайдаланбаңыз, себебі олар пластик бөліктерге зақым келтіре алады.

#### Техникалық қызмет көрсету

- Көзге көрінетін барлық бөлшектерде зақымдардың бар-жоғын және басқару элементтерінің ақаусыз жұмысын жиі тексеріп тұрыңыз.
- Өнім зақымдалған және/немесе ақаулы болған жағдайда, оны пайдаланушы болмаңыз. Өнімді міндетті түрде Hilti қызмет көрсету орталығында жөндетіңіз.
- Күтім және техникалық қызмет көрсету жұмыстарынан кейін барлық қорғаушы құрылғыларды орнатып, олардың ақаусыз жұмыс істегенін тексеріңіз.



Қауіпсіз қолдану үшін тек түпнұсқа қосалқы бөлшектер мен жұмсалатын материалдарды қолданыңыз. Hilti мақұлдаған қосалқы бөлшектер, шығын материалдары мен өнімге арналған керек-жарақтар Hilti Store дүкенінде немесе келесі веб-сайтта қолжетімді: [www.hilti.group](http://www.hilti.group)

## 8 Аккумуляторлық құралдар мен аккумуляторларды тасымалдау және сақтау

### Тасымалдау

#### АБАЙЛАҢЫЗ

#### Тасымалдау кезіндегі кенет іске қосылу !

- ▶ Өніміңізді әрдайым аккумуляторын шығарып алып тасымалдаңыз!
- ▶ Аккумулятор(лар)ды шығарыңыз.
- ▶ Аккумуляторларды ешқашан үймеде тасымалдамаңыз. Тасымалдау барысында аккумуляторларды шамадан артық соққы мен дірілден қорғау және олардың басқа батарея полюстерімен жанасуына және қысқа тұйықталудың туындауына жол бермеу үшін кез келген ток өткізгіш материалдардан немесе басқа аккумуляторлардан оқшаулау керек. **Аккумуляторларға арналған жергілікті тасымалдау ережелерін сақтаңыз.**
- ▶ Аккумуляторларды поштамен жіберуге болмайды. Зақымдалмаған аккумуляторларды жіберу қажет болғанда, жеткізуші кәсіпорындарға хабарласыңыз.
- ▶ Өнім мен аккумуляторларды әр пайдаланбас бұрын және ұзақ уақыт бойы тасымалдағаннан кейін зақымдардың бар-жоғын тексеріп шығыңыз.

### Сақтау

#### ЕСКЕРТУ

#### Бүлінген немесе заряды таусылған аккумуляторлардан күтілмеген зақымдалу !

- ▶ Өніміңізді әрдайым аккумуляторын шығарып алып сақтаңыз!
- ▶ Өнім мен аккумуляторларды салқын және құрғақ жерде сақтаңыз. Техникалық деректерде көрсетілген температураның шектік мәндерін ескеріңіз.
- ▶ Аккумуляторларды зарядтағыш құрылғыда сақтамаңыз. Аккумуляторды зарядтағаннан кейін әрдайым зарядтағыш құрылғыдан шығарыңыз.
- ▶ Аккумуляторларды еш жағдайда күн мен жылу көздерінің астында немесе шыны әйнек артында сақтамаңыз.
- ▶ Өнім мен аккумуляторларды балалар мен рұқсаты жоқ адамдардың қолы жетпейтін жерде сақтаңыз.
- ▶ Өнім мен аккумуляторларды әр пайдаланбас бұрын және ұзақ уақыт бойы сақтағаннан кейін зақымдардың бар-жоғын тексеріп шығыңыз.



## 9 Ақаулықтардағы көмек

Кез келген ақаулықтар орын алған жағдайда, аккумулятордың заряд деңгейі мен ақаулық индикаторына назар аударыңыз. **Li-Ion аккумуляторларының индикаторлары** бөлімін қараңыз.

Бұл кестеде келтірілмеген немесе өзіңіз түзете алмайтын ақаулықтар орын алғанда, **Hilti** қызмет көрсету орталығына хабарласыңыз.

| Ақаулық  | Ықтимал себеп   | Шешім   |
|--|---|---|
| Өнім қызмет етпейді.                             | Аккумулятор дұрыс салынбаған.   | ▶ Аккумуляторды орнатыңыз.<br>→ Бет 65  |
| Негізгі сөндіргіш басылмайды немесе бұғатталған. | Оңға/солға айналуды ауыстырып-қосқышы ортаңғы күйде (тасымалдау күйінде). | ▶ Оңға/солға айналуды ауыстырып-қосқышы оңға не солға айналуды орнатыңыз.<br>→ Бет 66   |
| Өнім не аккумуляторда қатты ыстық пайда болады   | Электрлік ақаулық   | ▶ Өнімді дереу өшіріңіз және аккумуляторды шығарыңыз. Оны бақылай отырып суытыңыз. <b>Hilti</b> қызмет көрсету орталығына хабарласыңыз. |
| Аккумулятордың жарық диодтары өшірулі            | Аккумулятор бүлінген  | ▶ <b>Hilti</b> қызмет көрсету орталығына жолығыңыз.   |
| SF 6H-22<br>Соққымен бұрғылау мүмкін емес.       | Реттеу сақинасындағы функция дұрыс орнатылмаған.                          | ▶ Реттеу сақинасын <b>IT</b> «Соққымен бұрғылау» функциясына орнатыңыз.   |

## 10 Көдеге жарату



### ЕСКЕРТУ

**Қате жолмен көдеге жаратудан жарақат алу қаупі бар!** Газдардың немесе сұйықтықтардың шығуынан денсаулыққа зиян келтіру қаупі бар.

- ▶ Зақымдалған аккумуляторларды жіберуге немесе жөнелтуге болмайды!
- ▶ Қысқа тұйықталуға жол бермеу үшін, қосылымдарды ток өткізбейтін материалмен жауып қойыңыз.
- ▶ Аккумуляторларды балалардың қолына жетпейтіндей етіп көдеге жаратыңыз.
- ▶ Аккумуляторды **Hilti Store** дүкенінде көдеге жаратыңыз немесе жергілікті көдеге жарату кәсіпорнына хабарласыңыз.

**Hilti** өнімдері қайта өңдеу үшін жарамды көптеген материалдардың санынан тұрады. Көдеге жарату алдында материалдарды мұқият сұрыптау керек. Көптеген елдерде **Hilti** компаниясы ескі аспаптарды көдеге жарату үшін қабылдайды. **Hilti** қызмет көрсету орталығынан немесе дилерден сұраңыз.



- ▶ Электр құралдарды, электрондық құрылғылар мен аккумуляторларды тұрмыстық қоқыспен бірге тастамаңыз!

## 11 Өндіруші кепілдігі

- ▶ Кепілдік шарттары туралы сұрақтарыңыз болса, жергілікті **Hilti** серіктесіне жолығыңыз.

## 12 Қосымша ақпарат

Басқару, техника, қоршаған орта және қайта өңдеу туралы қосымша ақпаратты мына сілтеме бойынша қараңыз: [qr.hilti.com/manual/?id=2275217&id=2275219](http://qr.hilti.com/manual/?id=2275217&id=2275219)

Бұл сілтеме құжаттаманың соңында QR коды ретінде қолжетімді.



# Оригинално Ръководство за експлоатация

## 1 Данни за документацията

### 1.1 Към настоящата документация

- Преди въвеждане в експлоатация прочетете настоящата документация. Това е предпоставка за безопасна работа и безаварийна употреба.
- Съблюдавайте указанията за безопасност и предупреждение в настоящата документация и върху продукта.
- Съхранявайте Ръководството за експлоатация винаги заедно с продукта и предавайте продукта на други лица само заедно с настоящото ръководство.

### 1.2 Условни обозначения

#### 1.2.1 Предупредителни указания

Предупредителните указания предупреждават за опасност в зоната около продукта. Използват се следните сигнални думи:

#### ОПАСНОСТ

##### ОПАСНОСТ !

- ▶ Отнася се за непосредствена опасност от заплахата, която води до тежки телесни наранявания или смърт.

#### ПРЕДУПРЕЖДЕНИЕ

##### ПРЕДУПРЕЖДЕНИЕ !

- ▶ Отнася се за възможна опасност от заплахата, която може да доведе до тежки телесни наранявания или смърт.

#### ПРЕДПАЗЛИВОСТ

##### ВНИМАНИЕ !

- ▶ Отнася се за възможна опасна ситуация, която може да доведе до телесни наранявания или материални щети.

#### 1.2.2 Символи в Ръководството за експлоатация

В настоящото Ръководство за експлоатация се използват следните символи:

|  |   |
|--|---|
|  | Да се съблюдава Ръководството за експлоатация                 |
|  | Препоръки при употреба и друга полезна информация             |
|  | Боравене с рециклируеми материали                             |
|  | Не изхвърляйте електроуреди и акумулатори в битовите отпадъци |
|  | <b>Hilti</b> Литиево-йонен акумулатор                         |
|  | <b>Hilti</b> Зарядно устройство                               |

#### 1.2.3 Символи във фигурите

Във фигурите се използват следните символи:

|           |  |
|-----------|--|
| <b>2</b>  | Тези числа препращат към съответната фигура в началото на настоящото Ръководство за експлоатация.  |
| 3         | Номерацията възпроизвежда последователното изпълнение на работните стъпки в изображението и може да се различава от работните стъпки в текста. |
| <b>11</b> | Позиционните номера се използват във фигурата <b>Преглед</b> и препращат към номерата на легендата в Раздел <b>Преглед на продукта</b> .       |





Този знак трябва да привлече Вашето специално внимание при работа с продукта.

### 1.3 Символи в зависимост от продукта

#### 1.3.1 Допълнителни символи

В настоящата документация или върху продукта може да се използват допълнително следните символи:

|               |  |
|---------------|--|
|               | Безударно пробиване  |
|               | Ударно пробиване (пробиване с удар)  |
| $n_0$         | Обороти на празен ход при измерване  |
| /min          | Обороти в минута   |
| $\varnothing$ | Диаметър   |
|               | Дясно/ляво въртене   |
|               | Постоянен ток  |
| Li-Ion        | Литиево-йонен акумулатор   |
|               | Продуктът поддържа NFC-технология, която е съвместима с iOS- и Android платформи.                              |
|               | Никога не използвайте акумулатора като ударен механизъм.   |
|               | Не оставяйте акумулатора да падне. Не използвайте акумулатор, който е бил ударен или е повреден по друг начин. |

### 1.4 Информация за продукта

Продуктите са предназначени за професионални потребители и могат да бъдат обслужвани, поддържани в изправност и ремонтирани само от оторизиран компетентен персонал. Този персонал трябва да бъде специално инструктиран за възможните опасности. Продуктът и неговите приспособления могат да бъдат опасни, ако бъдат експлоатирани неправомерно от неквалифициран персонал или ако бъдат използвани не по предназначение.

Обозначението на типа и серийният номер са отбелязани върху типовата табелка.

- Пренесете серийния номер в представената по-долу таблица. Вие се нуждаете от данните за продукта, когато се обръщате с въпроси към нашето представителство или сервизен отдел.

#### Данни за продукта

|  |                    |
|--|--------------------|
| Пробивен винтоверт   ударно-пробивен винтоверт | SF 6-22   SF 6H-22 |
| Поколение                                      | 03                 |
| Сериен №                                       |                    |

### 1.5 Декларация за съответствие

Производителят декларира на собствена отговорност, че описаният тук продукт отговаря на приложимото законодателство и действащите стандарти. Копие на Декларацията за съответствие ще намерите в края на настоящата документация.

Техническата документация се съхранява тук:

Hilti Entwicklungsgesellschaft mbH | Zulassung Geräte | Hiltistraße 6 | 86916 Kaufering, DE



## 2 Безопасност

### 2.1 Общи указания за безопасност при електроинструменти

**⚠ ПРЕДУПРЕЖДЕНИЕ** Прочетете всички указания за безопасност, инструкции, илюстрации и технически характеристики, с които е снабден този електроинструмент. Пропуски при спазване на приведените по-долу инструкции могат да предизвикат електрически удар, пожар и/или тежки наранявания.

**Съхранявайте всички указания за безопасност и инструкции за бъдещи справки.**

Използването в указанията за безопасност понятие "електроинструмент" се отнася до захранвани от електрическата мрежа електроинструменти (със захранващ кабел) или до захранвани от акумулатор електроинструменти (без захранващ кабел).

#### Безопасност на работното място

- ▶ **Поддържайте работното си място чисто и добре осветено.** Безпорядъкът или недостатъчното осветление в работната зона може да доведат до злополуки.
- ▶ **Не работете с електроинструмента във взривоопасна среда, където има горими течности, газове или прах.** В електроинструментите се отделят искри, които могат да възпламенят прахове или изпарения.
- ▶ **Дръжте деца и странични лица на безопасно разстояние, докато работите с електроинструмента.** Ако вниманието Ви бъде отклонено, може да загубите контрол върху уреда.

#### Безопасност при работа с електроинструменти

- ▶ **Съединителният щепсел на електроинструмента трябва да бъде подходящ за контакта.** В никакъв случай не се допуска изменение на конструкция на щепсела. Ако работите със заземени електроинструменти, не използвайте адаптери за щепсела. Използването на оригинални щепсели и подходящи контакти намалява риска от електрически удар.
- ▶ **Избягвайте допира на тялото Ви до заземени повърхности като тръби, отоплителни уреди, печки и хладилници.** Рискът от възникване на електрически удар се увеличава, ако тялото Ви е заземено.
- ▶ **Предпазвайте електроинструментите от дъжд или влага.** Проникването на вода в електроинструмента повишава опасността от възникване на електрически удар.
- ▶ **Не използвайте съединителния проводник за цели, за които не е предназначен, напр. за носене на електроинструмента, за окачване или за изваждане на щепсела от контакта.** Предпазвайте съединителния проводник от нагряване, масла, остри ръбове или движещи се части. Повредени или усукани съединителни проводници увеличават риска от електрически удар.
- ▶ **Ако работите с електроинструмент на открито, използвайте само удължителни кабели, които са подходящи и за работа навън.** Използването на удължителен кабел, предназначен за работа на открито, намалява риска от електрически удар.
- ▶ **Ако не можете да избегнете работа с електроинструмента във влажна среда, използвайте ключ с вградена дефектнотокова защита.** Използването на ключ с вградена дефектнотокова защита намалява риска от електрически удар.

#### Безопасен начин на работа

- ▶ **Бъдете концентрирани, следете внимателно действията си и постъпвайте разумно при работа с електроинструменти.** Не използвайте електроинструмент, ако сте уморени или се намирате под въздействие на наркотици, алкохол или медикаменти. Само един момент на невнимание при използването на електроинструмента може да доведе до сериозни наранявания.
- ▶ **Носете лични предпазни средства и работете винаги със защитни очила.** Носенето на лични предпазни средства, като прахозащитна маска, безопасасни обувки със стабилен грайфер, защитна каска или антифони, според вида и употребата на електроинструмента, намалява риска от наранявания.
- ▶ **Избягвайте неволно включване на електроинструмента. Уверете се, че електроинструментът е изключен, преди да го свържете към електрозахранването и/или акумулатора, преди да го вземате или пренасяте.** Ако при носене на електроинструмента държите пръста си върху пусковия прекъсвач или ако свържете включения уред към електрозахранването, съществува опасност от злополука.
- ▶ **Преди да включите електроинструмента, се уверете, че сте отстранили от него всички инструменти за настройка или гаечни ключове.** Инструмент или ключ, който се намира на въртящо се звено, може да доведе до наранявания.
- ▶ **Избягвайте неудобните положения на тялото. Работете при стабилно положение на тялото и пазете равновесие във всеки един момент.** Така ще можете да контролирате електроинструмента по-добре, ако възникнат неочаквани ситуации.



- ▶ **Работете с подходящо облекло.** Не работете с широки и дълги дрехи или украшения. Дръжте косата си, дрехите си и ръкавиците си на безопасно разстояние от въртящи се части. Свободните дрехи, украшенията или дългите коси могат да бъдат захванати и увлечени от въртящи се части.
- ▶ **Ако е възможно монтирането на съоръжения за събиране и изсмукване на прах, се уверете, че те са включени и се използват правилно.** Използването на прахоуловител може да намали поредните от прахове опасности.
- ▶ **Не се поддавайте на измамното усещане за сигурност и не пренебрегвайте правилата за безопасност за електроинструменти дори и след като много добре сте опознали електроинструмента и сте го използвали многократно.** Нехайното действие може да доведе за части от секундата до тежки наранявания.

#### **Използване и обслужване на електроинструмента**

- ▶ **Не претоварвайте уреда.** Използвайте електроинструмента само съобразно неговото предназначение. Ще работите по-добре и по-безопасно, ако използвате подходящия електроинструмент в посочения диапазон на мощност.
- ▶ **Не използвайте електроинструмент, чийто прекъсвач е повреден.** Електроинструмент, който не може повече да бъде включван или изключван, е опасен и трябва да бъде ремонтиран.
- ▶ **Извадете щепсела от контакта и/или отстранете разглобямия акумулатор, преди да предприемете действия по настройките на уреда, смяната на принадлежности или прибирането на уреда.** Тази предпазна мярка предотвратява опасността от задействане на електроинструмента по невнимание.
- ▶ **Съхранявайте неизползвани в момента електроинструменти далеч от достъпа на деца.** Не допускайте използването на уреда от лица, които не са запознати с него или не са прочели настоящите инструкции. В ръцете на неопитни потребители електроинструментите могат да бъдат опасни.
- ▶ **Отнасяйте се грижливо към електроинструменти и принадлежности.** Проверявайте дали подвижните елементи функционират безупречно и не заклинват, дали има счупени или повредени части, които нарушават функциите на електроинструмента. Преди да използвате уреда, дайте повредените части за ремонт. Много злополуки се дължат на лошо поддържани електроинструменти.
- ▶ **Поддържайте режещите инструменти винаги добре заточени и чисти.** Добре поддържаните режещи инструменти с остри ръбове заклинват по-рядко и се водят по-лесно.
- ▶ **Използвайте електроинструменти, принадлежности, сменяеми инструменти и т.н. съгласно настоящите инструкции.** Съобразявайте се и с конкретните работни условия и с дейностите, които трябва да бъдат извършвани. Употребата на електроинструменти за цели, различни от предвидените от производителя, може да доведе до опасни ситуации.
- ▶ **Поддържайте ръкохватките и повърхностите за хващане сухи, чисти и незамазани от масла и смазки.** Хлъзгави ръкохватки и повърхности за хващане не позволяват безопасно обслужване и контрол на електроинструмента в непредвидени ситуации.

#### **Използване и обслужване на акумулаторния инструмент**

- ▶ **Зареждайте акумулаторите само с препоръчани от производителя зарядни устройства.** При зарядно устройство, подходящо за определен вид акумулатори, съществува опасност от пожар, ако то се използва с други акумулатори.
- ▶ **Използвайте в електроинструментите само предвидените за съответния модел акумулатори.** Употребата на други акумулатори може да доведе до наранявания и опасност от пожар.
- ▶ **Съхранявайте неизползваните акумулатори далече от кламери, монети, ключове, пирони, винтове или други дребни метални предмети, тъй като те могат да предизвикат късо съединение в контактите.** При късо съединение в контактите на акумулатора може да се получи изгаряния или да възникне пожар.
- ▶ **Ако акумулаторът се използва неправилно, от него може да излезе течност.** Избягвайте контакт с тази течност. При случаен контакт изплакнете мястото обилно с вода. Ако течността попадне в очите, потърсете допълнително лекарска помощ. Излизашата от акумулатора течност може да причини кожни раздразнения или изгаряния.
- ▶ **Не използвайте повреден или модифициран акумулатор.** Повредените или модифицирани акумулатори могат да имат непредвидимо поведение и да предизвикат огън, експлозия или да породят опасност от наранявания.
- ▶ **Не подлагайте акумулатора на въздействието на огън или твърде високи температури.** Огън или температури над 130 °C (265 °F) могат да предизвикат експлозия.
- ▶ **Следвайте всички инструкции относно зареждането и никога не зареждайте акумулатора или акумулаторния инструмент извън посочения в Ръководството за експлоатация температурен**



**обхват.** Неправилното зареждане или зареждането извън допустимия температурен обхват може да разруши акумулатора и да повиши опасността от възникване на пожар.

### Сервизиране

- ▶ **Ремонтът на електроинструмента трябва да се извършва само от квалифицирани специалисти и само с оригинални резервни части.** По този начин се гарантира безопасността на съхранението на уреда.
- ▶ **Никога не обслужвайте повредени акумулатори.** Цялостната поддръжка на акумулаторите следва да се извършва само от производителя или от оторизирани центрове за обслужване на клиенти.

## 2.2 Указания за безопасна работа с бормашини

### Указания за безопасност за всички дейности

- ▶ **Носете антифони по време на ударното пробиване.** Въздействието на шума може да доведе до загуба на слуха.
- ▶ **Използвайте допълнителната ръкохватка.** Загубата на контрол може да доведе до наранявания.
- ▶ **Дръжте електроинструмента за изолираните повърхности за хващане, ако извършвате дейности, при които сменяемият инструмент или винтовете може да попаднат на скрита токопроводимост.** Контактът с тоководещи проводници може да постави под напрежение също и метални части на уреда и да доведе до възникване на електрически удар.

### Указания за безопасност при използване на дълги свредла

- ▶ **В никакъв случай не работете с по-високи обороти от определените за свредлото максимално допустими обороти.** При по-високи обороти свредлото може леко да се огъне, когато може да се върти свободно без контакт с детайла, и да причини наранявания.
- ▶ **Започвайте процеса на пробиване винаги с малък брой обороти и когато свредлото е в контакт с детайла.** При по-високи обороти свредлото може леко да се огъне, когато може да се върти свободно без контакт с детайла, и да причини наранявания.
- ▶ **Не прилагайте прекомерен натиск и пробивайте само в надлъжна посока.** Свредлата могат да се огънат и затова да се случат или да причинят загуба на контрол и наранявания.

## 2.3 Допълнителни указания за безопасност за винтоверт

- ▶ Използвайте продукта и принадлежностите само в технически изправно състояние.
- ▶ Никога не извършвайте манипулации или промени по продукта или принадлежностите.
- ▶ Преди началото на работния процес проверете работната зона за скрити електрически проводници, газо- и водопроводи. Външните метални части на продукта могат да предизвикат електрически удар или експлозия, ако сте повредили електрически кабел, газо- или водопроводна тръба.
- ▶ При шлайфане, обработване с шкурка, рязане и пробиване се образува прах, който може да съдържа опасни химикали. Някои примери са: олово или боя, базирана на олово; тухли, бетон и други продукти за зидария, естествен камък и други силикатосъдържащи продукти; определени дървета, като дъб, бук и химически обработена дървесина; азбест или азбестосъдържащи материали. Определете експозицията на оператора и страничните наблюдатели според класа на опасност на материалите, върху които се работи. Вземете необходимите мерки, за да поддържате експозицията на безопасно ниво, като напр. използване на система за събиране на прах или носене на подходяща дихателна защита. Общите мерки за намаляване на експозицията включват:
  - ▶ Работете в добре проветриво помещение,
  - ▶ Избягвайте продължителен контакт с прах,
  - ▶ Почиствайте праха от лицето и тялото,
  - ▶ Носете защитно облекло и измивайте откритите места с вода и със сапун.
- ▶ Опасност от нараняване поради падащи инструменти и/или принадлежности. Преди да започнете работа, проверете дали акумулаторът и монтираните принадлежности са здраво закрепени.
- ▶ При пробиване на проходни отвори обезопасете областта зад обработвания материал. Отделящите се и/или падащите отломки могат да наранят намиращи се в близост хора.
  - ▶ При внезапен пробив в стената продуктът може да наруши равновесието Ви. При пробиване на проходни отвори в стени или тавани внимавайте да запазите равновесие и сигурна стойка.
- ▶ Не използвайте износени накрайници.
- ▶ Използвайте доставените заедно с продукта допълнителни ръкохватки. Загубата на контрол може да доведе до наранявания. Уверете се, че допълнителната ръкохватка е здраво закрепена и надеждно монтирана.
- ▶ Включете продукта едва тогава, когато го приведете в работно положение.



- ▶ Винаги дръжте продукта здраво с две ръце за предвидените за целта ръкохватки. Поддържайте ракохватките сухи и чисти.
- ▶ Винаги оставайте вентилационните отвори свободни. Опасност от изгаряния поради покрити вентилационни отвори!
- ▶ Избягвайте допира до въртящи се части - опасност от нараняване!
- ▶ При експлоатация на продукта носете защита за очите, защитна каска, антифони и подходяща дихателна защита.
- ▶ Използвайте защита за очите. Отломките от материала могат да наранят тялото и очите.
- ▶ Не гледайте директно срещу осветлението (светодиод) на продукта и не осветявайте други хора в лицето. Съществува опасност от заслепяване.
- ▶ Правете често работни паузи и упражнения за подобряване на кръвообращението в пръстите Ви. При продължителна работа вибрациите могат да предизвикат нарушения на кръвоносните съдове или нервната система в областта на пръстите, ръцете или китките.
- ▶ Преди да оставите продукта, изчакайте, докато престане да работи.
- ▶ При смяната на инструменти носете защитни ръкавици. Допирът до сменяемия инструмент може да доведе до порезни рани и изгаряния.

#### 2.4 Грижливо отношение към акумулатори и внимателно боравене с тях

- ▶ **Съблюдавайте следните указания за безопасност за надеждно боравене и използване на литиево-йонни акумулатори.** Неспазването им може да предизвика дразнене на кожата, тежки корозивни увреждания, химични изгаряния, пожар и/или експлозии.
- ▶ Използвайте акумулаторите само в технически изправно състояние.
- ▶ Работете внимателно с акумулаторите, за да избегнете повреди и да предотвратите излизането на течности, които са много вредни за здравето!
- ▶ Акумулаторите не трябва по никъкъв начин да бъдат променени или манипулирани!
- ▶ Акумулаторите не трябва да се разглобяват, смачкват, да се нагряват над 80°C (176°F) или да се изгарят.
- ▶ Не използвайте или не зареждайте акумулатори, които са били ударени или са повредени по друг начин. Проверявайте редовно Вашите акумулатори за признаци на повреда.
- ▶ Никога не използвайте рециклирани или ремонтирани акумулатори.
- ▶ Никога не използвайте акумулатора или електроинструмент, захранван от акумулатор, като ударен механизъм.
- ▶ Никога не излагайте акумулаторите на пряка слънчева светлина, повишена температура, образуване на искри или открит пламък. Това може да доведе до експлозии.
- ▶ Не допирайте полюсите на батериите с пръсти, инструменти, украшения или други електропроводими предмети. Това може да повреди акумулатора, както и да причини материални щети и наранявания.
- ▶ Дръжте акумулаторите далече от дъжд, влага и течности. Проникналата влага може да причини къси съединения, електрически удари, изгаряния, пожар и експлозии.
- ▶ Използвайте само зарядни устройства и електроинструменти, предназначени за този тип акумулатори. За тази цел съблюдавайте данните в съответните Ръководства за експлоатация.
- ▶ Не използвайте или не съхранявайте акумулатора във взривоопасна среда.
- ▶ Ако акумулаторът е много горещ на допир, той може да има дефект. Поставете акумулатора на видимо, незапалимо място с достатъчно разстояние до запалими материали. Оставете акумулатора да се охлади. Ако след един час акумулаторът е все още твърде горещ на допир, той е неизправен. Обърнете се към сервиз на **Hilti** или прочетете документа "Указания за безопасност и прилагане на **Hilti** литиево-йонни акумулатори".



Спазвайте специалните директиви, приложими за транспортирането, съхранението и използването на литиево-йонни акумулатори. → страница 81

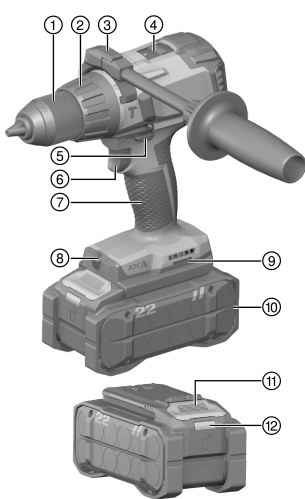
Прочетете указанията за безопасност и прилагане на **Hilti** литиево-йонни акумулатори, които можете да намерите, като сканирате QR кода в края на настоящото Ръководство за експлоатация.





### 3 Описание

#### 3.1 Преглед на продукта



- ① Бързозатягащ патронник
- ② Регулиращ пръстен за въртящ момент и функция
- ③ Странична ръкохватка
- ④ Превключвател за скорости
- ⑤ Превключвател за дясно/ляво въртене с транспортен фиксатор
- ⑥ Команден ключ с електронен регулатор на оборотите
- ⑦ Ръкохватка
- ⑧ Осветление на работната среда (светодиод)
- ⑨ Монтажен отвор за принадлежности
- ⑩ Акумулатор
- ⑪ Бутон за деблокиране на акумулатора
- ⑫ Индикатор за статус на акумулатора

#### 3.2 Употреба по предназначение

Описаният продукт представлява акумулаторен пробивен винтоверт с ръчно задвижване. Той е предназначен за пробиване в стомана, дърво и пластмаси, лек бетон и зидария, както и за завиване и развиване на винтове.

- За този продукт използвайте само **Hilti Nuron** литиево-йонни акумулатори от тип В 22. За оптимална работа **Hilti** препоръчва за този продукт посочените акумулатори в таблицата в края на настоящото Ръководство за експлоатация.
- За тези акумулатори използвайте само зарядни устройства на **Hilti** от посочените типове серии в края на настоящото Ръководство за експлоатация.

#### 3.3 АТС

Продуктът е оборудван с електронно аварийно изключване АТС (Active Torque Control). Ако сменяемият инструмент блокира или се заклещи, продуктът внезапно започва неконтролируемо да се върти в противоположна посока. АТС разпознава това внезапно въртящо движение на продукта и незабавно изключва продукта.



Продуктът трябва да може да се върти, за да функционира изправно.  
След успешно аварийно изключване изключете продукта и отново го включете.

#### 3.4 Индикатор за претоварване и прегряване

Продуктът е оборудван с електронна защита срещу претоварване и прегряване. При претоварване или прегряване продуктът се изключва автоматично. Ако командният ключ се освободи и се натисне отново, може да се получи забавяне при включване (фази на охлаждане на продукта).

#### 3.5 Индикатор за литиево-йонния акумулатор

**Hilti Nuron** литиево-йонни акумулатори могат да показват състоянието на зареждане, известия за грешки и състоянието на акумулатора.



### 3.5.1 Индикатори за състояние на зареждане и известия за грешки



#### ПРЕДУПРЕЖДЕНИЕ

#### Опасност от нараняване поради падащ акумулатор!

- ▶ При поставен акумулатор след натискане на бутона за деблокиране се уверете, че застопорявате отново правилно акумулатора в използвания продукт.

За да получите едно от следните показания, натиснете за кратко бутона за деблокиране на акумулатора. Състоянието на зареждане и възможните неизправности също се показват постоянно, докато свързаният продукт е включен.

| Състояние                                       | Значение   |
|---|--|
| Четири (4) светодиода светят постоянно в зелено | Състояние на зареждане: 100 % до 71 %  |
| Три (3) светодиода светят постоянно в зелено    | Състояние на зареждане: 70 % до 51 %   |
| Два (2) светодиода светят постоянно в зелено    | Състояние на зареждане: 50 % до 26 %   |
| Един (1) светодиод свети постоянно в зелено     | Състояние на зареждане: 25 % до 10 %   |
| Един (1) светодиод мига бавно в зелено          | Състояние на зареждане: < 10 %   |
| Един (1) светодиод мига бързо в зелено          | Литиево-йонният акумулатор е напълно разреден. Заредете акумулатора.<br>Ако след зареждането на акумулатора светодиодът все още мига бързо, обърнете се към сервиз на <b>Hilti</b> .   |
| Един (1) светодиод мига бързо в жълто           | Литиево-йонният акумулатор или свързаният с него продукт е претоварен, твърде горещ, твърде студен или има някаква друга неизправност.<br>Темперирайте продукта и акумулатора до препоръчителната работна температура и не претоварвайте продукта, когато го използвате.<br>Ако съобщението продължава да стои, обърнете се към сервиз на <b>Hilti</b> . |
| Един (1) светодиод свети в жълто                | Литиево-йонният акумулатор и свързаният с него продукт не са съвместими. Моля, обърнете се към сервиз на <b>Hilti</b> .  |
| Един (1) светодиод мига бързо в червено         | Литиево-йонният акумулатор е блокирал и не може да се използва отново. Моля, обърнете се към сервиз на <b>Hilti</b> .  |

### 3.5.2 Индикатори за състоянието на акумулатора

За да проверите състоянието на акумулатора, задръжте натиснат деблокиращия бутон за повече от три секунди. Системата не разпознава потенциална неизправност на батерията поради злоупотреба, като напр. изпускане, пробиване, външни топлинни повреди и др.

| Състояние   | Значение  |
|---|---|
| Всички светодиоди светят като бягаша светлина и след това един (1) светодиод свети постоянно в зелено.  | Акумулаторът все още може да се използва.   |
| Всички светодиоди светят като бягаша светлина и след това един (1) светодиод мига бързо в жълто.        | Запитването за състоянието на акумулатора не може да бъде осъществено. Повторете процеса или се обърнете към сервиз на <b>Hilti</b> .   |
| Всички светодиоди светят като бягаша светлина и след това един (1) светодиод свети постоянно в червено. | Ако свързаният продукт може все още да бъде използван, оставащият капацитет на акумулатора е по-малък от 50%.<br>Ако свързаният продукт вече не може да бъде използван, акумулаторът е в края на своя експлоатационен живот и трябва да бъде сменен. Моля, обърнете се към сервиз на <b>Hilti</b> . |



### 3.6 Обем на доставката

пробивен винтоверт, странична ръкохватка, Ръководство за експлоатация.

Други системни продукти, разрешени за Вашия продукт, ще намерите във Вашия **Hilti Store** или онлайн на: [www.hilti.group](http://www.hilti.group)

## 4 Технически данни

|   |              | SF 6-22                      | SF 6H-22                     |
|---|--------------|------------------------------|------------------------------|
| Номинално напрежение                              |              | 21,6 V <sub>DC</sub>         | 21,6 V <sub>DC</sub>         |
| Тегло съгласно EPTA Procedure 01 без акумулатор   |              | 2,0 кг                       | 2,0 кг                       |
| Обороти   | 1-ва скорост | 0 об/мин ...<br>490 об/мин   | 0 об/мин ...<br>490 об/мин   |
|   | 2-ра скорост | 0 об/мин ...<br>2 000 об/мин | 0 об/мин ...<br>2 000 об/мин |
| Въртящ момент (мека винтова връзка) $\frac{1}{2}$ |              | ≤ 65 Н·м                     | ≤ 65 Н·м                     |
| Брой удари  |              | */•                          | 36 000 об/мин                |
| Температура на околната среда при работа          |              | -17 °C ... 60 °C             | -17 °C ... 60 °C             |
| Температура на съхранение                         |              | -20 °C ... 70 °C             | -20 °C ... 70 °C             |

### 4.1 Акумулатор

|  |  |
|--|--|
| Работно напрежение на акумулатора                    | 21,6 В   |
| Тегло на акумулатор                                  | Вижте края на това Ръководство за експлоатация |
| Температура на околната среда при работа             | -17 °C ... 60 °C                               |
| Температура на съхранение                            | -20 °C ... 40 °C                               |
| Температура на акумулатора в началото на зареждането | -10 °C ... 45 °C                               |

### 4.2 Допустим диаметър за сменяеми инструменти

|  | SF 6-22          | SF 6H-22         |
|--|------------------|------------------|
| Ø Диапазон на затягане на бързозатягащ патронник | 1,5 мм ... 13 мм | 1,5 мм ... 13 мм |
| Ø Свредло за дърво (твърдо)                      | 1,5 мм ... 20 мм | 1,5 мм ... 20 мм |
| Ø Свредло за дърво (меко)                        | 1,5 мм ... 32 мм | 1,5 мм ... 32 мм |
| Ø Свредло за метал                               | 1,5 мм ... 13 мм | 1,5 мм ... 13 мм |
| Ø Пробиване в бетон/зидария (ударно пробиване)   | */•              | 4 мм ... 12 мм   |

### 4.3 Информация за шума и стойности на вибрациите съгласно EN 62841

Посочените в настоящите инструкции стойности на звуковото налягане и на вибрациите са били измерени в съответствие със стандартизиран метод на измерване и могат да бъдат използвани при сравняването на електроинструменти помежду им. Те са подходящи и за предварителна оценка на натоварването от трептения.

Посочените данни представят основните приложения на електроинструмента. Ако обаче електроинструментът се използва за други приложения, с различни сменяеми инструменти или при недостатъчна поддръжка, в данните може да се появят отклонения. Това може значително да повиши натоварването от трептения през целия период на експлоатация.

За точна преценка на натоварването от трептения трябва да се вземат предвид и периодите, в които уредът е изключен или работи, но не е в реална експлоатация. Това може значително да намали натоварването от трептения през целия период на експлоатация.



Определете допълнителни мерки за безопасност с цел защита на работещия срещу въздействието на звука и/или вибрациите, като например: поддръжка на електроинструмент и сменяеми инструменти, поддръжане на топли ръце, организация на работните процеси.

#### Стойности на шумовите емисии

|  | SF 6-22    | SF 6H-22    |
|--|------------|-------------|
| Емисионно ниво на звуково налягане ( $L_{pA}$ )      | 74,5 дБ(A) | 94,5 дБ(A)  |
| Отклонение при ниво на звуково налягане ( $K_{pA}$ ) | 5 дБ(A)    | 5 дБ(A)     |
| Ниво на звукова мощност ( $L_{WA}$ )                 | 85,5 дБ(A) | 105,5 дБ(A) |
| Отклонение при ниво на звукова мощност ( $K_{WA}$ )  | 5 дБ(A)    | 5 дБ(A)     |

#### Общи стойности на вибрациите

|  |          | SF 6-22     | SF 6H-22     |
|--|----------|-------------|--------------|
| Емисионна стойност на вибрациите при пробиване в метал ( $a_{h,d}$ )         | B 22-85  | 1,0 $m/c^2$ | 1,2 $m/c^2$  |
|  | B 22-170 | 0,7 $m/c^2$ | 1,1 $m/c^2$  |
| Отклонение при пробиване в метал (K)   |          | 1,5 $m/c^2$ | 1,5 $m/c^2$  |
| Емисионна стойност на вибрациите при ударно пробиване в бетон ( $a_{h,ib}$ ) | B 22-85  | */*         | 11,9 $m/c^2$ |
|  | B 22-170 | */*         | 10,6 $m/c^2$ |
| Отклонение при ударно пробиване в бетон (K)                                  |          | */*         | 1,5 $m/c^2$  |

## 5 Подготовка на работата



### ПРЕДУПРЕЖДЕНИЕ

**Опасност от нараняване поради неволно включване!**

- ▶ Преди поставянето на акумулатора се уверете, че съответният продукт е изключен.
- ▶ Отстранявайте акумулатора, преди да въвеждате настройките по уреда или да подмените принадлежности.

Съблюдавайте указанията за безопасност и предупреждение в настоящата документация и върху продукта.

### 5.1 Зареждане на акумулатор

1. Преди зареждането прочетете Ръководството за експлоатация на зарядното устройство.
2. Уверете се, че контактите на акумулатора и на зарядното устройство са чисти и сухи.
3. Заредете акумулатора в одобрено зарядно устройство. → страница 75

### 5.2 Поставяне на акумулатор



### ПРЕДУПРЕЖДЕНИЕ

**Опасност от нараняване поради късо съединение или падащ акумулатор!**

- ▶ Преди поставянето на акумулатора се уверете, че контактите на акумулатора и контактите на продукта са почистени от замърсявания.
- ▶ Уверете се, че акумулаторът се застопорява винаги правилно.

1. Преди първото пускане в експлоатация зареждайте акумулатора докрай.
2. Плъзнете акумулатора в продукта, докато се застопори с ясно щракване.
3. Контролирайте стабилното положение на акумулатора.

### 5.3 Отстраняване на акумулатор

1. Натиснете бутона за деблокиране на акумулатора.
2. Извадете акумулатора от продукта.



## 5.4 Монтаж на странична ръкохватка 2

### ПРЕДПАЗЛИВОСТ

**Опасност от нараняване!** Загуба на контрол върху ударно-пробивната машина.

► Уверете се, че страничната ръкохватка е монтирана правилно и е закрепена надлежно. Уверете се, че скобите са посавени надлежно в предвидените за целта слотове.

1. Завъртете дръжката, за да освободите скобите на страничната ръкохватка.
2. Поставете дръжача на страничната ръкохватка изцяло върху корпуса и плъзнете скобите в предвидените за целта жлебове.
3. Завъртете дръжката, за да затегнете дръжача на страничната ръкохватка.

## 5.5 Поставяне на сменяем инструмент 3

1. Отворете бързозатягащия патронник.
2. Поставете сменяемия инструмент в патронника.
3. Завъртете докрай бързозатягащия патронник.
4. Проверете надеждното закрепване на сменяемия инструмент.

## 5.6 Защита срещу падане от височина

### ПРЕДУПРЕЖДЕНИЕ

**Опасност от нараняване** поради падащ инструмент и/или принадлежност!

- Използвайте само разрешеното за Вашия продукт препоръчано **Hilti** задържащо въже за инструменти.
- Преди всяка употреба проверявайте точката на закрепване на задържащото въже за инструменти за възможни повреди.
- Не закрепвайте задържащото въже за инструменти към куката за колан. Не използвайте кука за колан, за да повдигнете продукта.



Спазвайте националните разпоредби за работа на височина.

**Hilti** За този продукт използвайте като защита от падане само комбинацията от защита срещу падане от височина с **Hilti** задържащото въже за инструменти #2261970.

- Закрепете обезопасяването срещу падане в монтажните отвори за принадлежване. Проверете за надеждното закрепване.
- Закрепете кука с пружинка на задържащото въже за инструменти към защитата срещу падане от височина, а втората кука с пружинка - към носеща конструкция. Проверете за надеждното закрепване на двете куки с пружинка.



Съблюдавайте Ръководствата за експлоатация на **Hilti** защитата срещу падане от височина и на **Hilti** задържащото въже за инструменти.

## 6 Експлоатация

### ПРЕДПАЗЛИВОСТ

**Опасност от нараняване поради блокиране на сменяем инструмент !**

- Уверете се, че страничната ръкохватка е монтирана правилно и е закрепена надлежно. Винаги дръжте продукта здраво с две ръце за предвидените за целта ръкохватки.
- Използвайте защита за очите, за да се предпазите от хвърчащ материал.

Съблюдавайте указанията за безопасност и предупреждение в настоящата документация и върху продукта.

## 6.1 Избор на скорост 4

- Изберете скоростта.



## 6.2 Настройка за дясно/ляво въртене

- ▶ Поставете превключвателя за дясно/ляво въртене в положение дясно или ляво въртене.

## 6.3 Включване

- ▶ Задействайте командния ключ.
  - ▶ Продуктът се включва.




В зависимост от дълбочината на натиска на командния ключ оборотите могат да бъдат настроени безстепенно.


## 6.4 Завинтване

- ▶ С регулиращия пръстен за въртящ момент и функция настройте необходимия въртящ момент.

## 6.5 Пробиване

- ▶ Поставете регулиращия пръстен за въртящ момент и функция на .

## 6.6 Ударно пробиване

- ▶ Поставете регулиращия пръстен за въртящ момент и функция на .

## 6.7 Изключване

- ▶ Освободете командния ключ.
  - ▶ Продуктът се изключва.

## 7 Обслужване и поддръжка



### ПРЕДУПРЕЖДЕНИЕ

**Опасност от нараняване при поставен акумулатор !**

- ▶ Винаги изваждайте акумулатора преди всяка дейност по обслужване и поддръжка!

### Грижи за продукта

- Отстранете внимателно упоритите замърсявания.
- Ако има вентилационни отвори, почистете същите внимателно със суха, мека четка.
- Почистете корпуса само с леко навлажнена кърпа. Не използвайте почистващи препарати, съдържащи силикон, тъй като те могат да увредят пластмасовите части.
- Използвайте чиста, суха кърпа за почистване, за да избършете контактите на продукта.

### Грижи за литиево-йонни акумулатори

- Никога не използвайте акумулатор със запушени вентилационни отвори. Почиствайте вентилационните отвори внимателно със суха, мека четка.
- Избягвайте ненужното излагане на акумулатора на прах или замърсявания. Никога не излагайте акумулатора на висока влажност (напр. потопен във вода или оставен под дъжда). Ако акумулаторът е бил напоен с вода, третирайте го като повреден акумулатор. Изолирайте го в незапалим контейнер и се обърнете към сервиз на **Hilti**.
- Поддържайте акумулатора почистен от масла и смазки. Не позволявайте по акумулатора да се натрупват ненужно прах или замърсявания. Избърсвайте акумулатора със суха, мека четка или с чиста, суха кърпа за почистване. Не използвайте почистващи препарати, съдържащи силикон, тъй като те могат да увредят пластмасовите части. Не се допирайте до контактите на акумулатора и не отстранявайте фабрично нанесената грес от контактите.
- Почиствайте корпуса само с леко навлажнена кърпа. Не използвайте почистващи препарати, съдържащи силикон, тъй като те могат да увредят пластмасовите части.

### Поддръжка

- Проверявайте редовно всички видими части за наличие на повреди, а елементите за управление - за изправно функциониране.



- Не работете с продукта при наличие на повреди и/или смущения във функциите. Предайте продукта незабавно в сервиз на **Hilti** за ремонт.
- След извършване на дейности по обслужване и поддръжка монтирайте всички защитни устройства и проверете за изправното им функциониране.



За безопасна работа използвайте само оригинални резервни части и консумативи. Разрешените от **Hilti** резервни части, консумативи и принадлежности за Вашия продукт ще намерите във Вашия **Hilti Store** или на: [www.hilti.group](http://www.hilti.group)

## 8 Транспортиране и съхранение на акумулаторни инструменти и акумулатори

### Транспорт

#### ПРЕДПАЗЛИВОСТ

#### Неволно включване при транспортиране !

- ▶ Винаги транспортирайте Вашите продукти без поставени акумулатори!
- ▶ Извадете акумулатора/ите.
- ▶ Никога не транспортирайте акумулаторите в насипно състояние. При транспортиране акумулаторите трябва да бъдат защитени от прекомерни удари и вибрации и изолирани от всякакви проводящи материали или други акумулатори, за да не се осъществи контакт с други полюси на батерии и да се избегне късо съединение. **Спазвайте местните транспортни наредби за акумулатори.**
- ▶ Акумулаторите не трябва да се изпращат по пощата. Свържете се със следиторска фирма, ако искате да изпращате повредени акумулатори.
- ▶ Преди всяка употреба проверявайте продукта и акумулаторите за наличие на повреди, също преди и след продължително транспортиране.

### Съхранение

#### ПРЕДУПРЕЖДЕНИЕ

#### Неволна повреда, дължаща се на дефектни или изтичащи акумулатори !

- ▶ Винаги съхранявайте Вашите продукти без поставени акумулатори!
- ▶ Съхранявайте продукта и акумулаторите на хладно и сухо място. Съблюдавайте температурните гранични стойности, посочени в техническата спецификация.
- ▶ Не съхранявайте акумулатори в зарядното устройство. След зареждане винаги изваждайте акумулатора от зарядното устройство.
- ▶ Никога на съхранявайте акумулатори на слънце, върху източници на топлина или зад стъкло.
- ▶ Съхранявайте продукта и акумулаторите извън досега на деца и неотторизирани лица.
- ▶ Преди всяка употреба проверявайте продукта и акумулаторите за наличие на повреди, също преди и след продължително съхранение.

## 9 Помощ при наличие на смущения

При всички неизправности съблюдавайте индикатора за състоянието на зареждане и грешки на акумулатора. Виж Раздел **Индикации на литиево-йонния акумулатор**.

При наличие на смущения, които не са посочени в таблицата или които Вие сами не можете да отстраните, моля, обърнете се към нашия сервиз на **Hilti**.

| Смущение  | Възможна причина  | Решение  |
|---|---|--|
| Продуктът не функционира.                                     | Акумулаторът е поставен неправилно.   | ▶ Поставете акумулатора.<br>→ страница 78  |
| Ключът за управление не може да се натисне, респ. е блокирал. | Превключвателят за дясно/ляво въртене е в средно положение (транспортно положение). | ▶ Поставете превключвателя за дясно/ляво въртене в положение дясно или ляво въртене. → страница 80                                       |
| Силно загряване на продукта или акумулатора                   | Електрическа повреда  | ▶ Изключете продукта незабавно и извадете акумулатора. Оставете го да се охлади под наблюдение. Свържете се със сервиз на <b>Hilti</b> . |



| Смущение                                       | Възможна причина  | Решение   |
|--|---|---|
| Светодиодите на акумулатора не дават индикация | Неизправен акумулатор                                     | ▶ Свържете се със сервиз на <b>Hilti</b> .                    |
| SF 6H-22<br>Ударното пробиване е невъзможно.   | Функцията на регулиращия пръстен не е настроена правилно. | ▶ Поставете регулиращия пръстен на функция "Ударно пробиване" |

## 10 Третиране на отпадъци



### ПРЕДУПРЕЖДЕНИЕ

**Риск от нараняване поради неправилно третиране на отпадъците!** Опасности за здравето поради изпускане на газове и течности.

- ▶ Не доставяйте или не изпращайте повредени акумулатори!
- ▶ Покривайте връзките с непроводим материал, за да предотвратите къси съединения.
- ▶ Изхвърляйте акумулаторите по такъв начин, че да не могат да попаднат в ръцете на деца.
- ▶ Изхвърляйте акумулатора във Вашия **Hilti Store** или се свържете с местната компания за управление на отпадъците.



**Hilti** продуктите са произведени в по-голямата си част от материали за многократна употреба. Предпоставка за многократното им използване е тяхното правилно разделяне. В много страни **Hilti** взема Вашите употребявани уреди обратно за рециклиране. Попитайте отдела на **Hilti** за обслужване на клиенти или Вашия търговски консултант.



- ▶ Не изхвърляйте електроинструменти, електронни устройства и акумулатори в битовите отпадъци!

## 11 Гаранция на производителя

- ▶ При въпроси относно гаранционните условия, моля, обърнете се към Вашия местен **Hilti** партньор.

## 12 Повече информация

Допълнителна информация за експлоатацията, технологията, околната среда и рециклирането можете да намерите на следния линк: [qr.hilti.com/manual/?id=2275217&id=2275219](http://qr.hilti.com/manual/?id=2275217&id=2275219)

Този линк ще намерите също и в края на документацията като QR код.

# Manual de utilizare original

## 1 Date privind documentația

### 1.1 Referitor la această documentație

- Înainte de punerea în funcțiune, citiți complet această documentație. Aceasta este condiția necesară pentru un lucru în siguranță și pentru o manevrare fără defecțiuni.
- Aveți în vedere indicațiile de securitate și de avertizare din această documentație și de pe produs.
- Păstrați întotdeauna manualul de utilizare în preajma produsului și predați-l altor persoane numai împreună cu aceste manual.

### 1.2 Explicarea simbolurilor

#### 1.2.1 Indicații de avertizare

Indicațiile de avertizare avertizează împotriva pericolelor care apar în lucrul cu produsul. Sunt utilizate următoarele cuvinte-semnal:





**PERICOL**

**PERICOL !**

- ▶ Pentru un pericol iminent și direct, care duce la vătămări corporale sau la accidente mortale.

**ATENȚIONARE**

**ATENȚIONARE !**

- ▶ Pentru un pericol iminent și posibil, care poate duce la vătămări corporale sau la accidente mortale.

**AVERTISMENT**

**AVERTISMENT !**

- ▶ Pentru o situație potențial periculoasă, care poate duce la vătămări corporale sau pagube materiale.

**1.2.2 Simboluri în manualul de utilizare**

În acest manual de utilizare sunt utilizate următoarele simboluri:

|  |  |
|--|--|
|  | Respectați manualul de utilizare   |
|  | Indicații de folosire și alte informații utile                                   |
|  | Lucrul cu materiale reutilizabile  |
|  | Nu aruncați aparatele electrice și acumulatorii în containerele de gunoi menajer |
|  | <b>Hilti</b> Acumulator Li-Ion   |
|  | <b>Hilti</b> Redresor  |

**1.2.3 Simboluri în imagini**

Următoarele simboluri sunt utilizate în imagini:

|  |  |
|--|--|
|  | Acest numere fac trimitere la figura respectivă de la începutul acestui manual de utilizare.   |
|  | Numerotarea reflectă ordinea etapelor de lucru în imagine și poate să difere de etapele de lucru din text.   |
|  | Numerele pozițiilor sunt utilizate în figura <b>Vedere generală</b> și fac trimitere la numerele din legendă în paragraful <b>Vedere generală a produsului</b> . |
|  | Acest semn are rolul de a stimula atenția dumneavoastră în lucrul cu produsul.   |

**1.3 Simboluri în funcție de produs**

**1.3.1 Simboluri suplimentare**

În această documentație sau pe produs pot fi utilizate suplimentar următoarele simboluri:

|               |   |
|---------------|---|
|               | Găurire fără percuție                       |
|               | Găurire cu percuție (perforare cu ciocanul) |
| $n_0$         | Turația nominală de mers în gol             |
| /min          | rotații pe minut                            |
| $\varnothing$ | Diametru                                    |
|               | rotație spre dreapta/stânga                 |
|               | Curent continuu                             |



|        |   |
|--------|---|
| Li-Ion | Acumulator Li-Ion   |
|        | Produsul este compatibil cu tehnologia NFC, care este compatibilă la rândul ei cu platformele iOS și Android.                 |
|        | Nu folosiți niciodată acumulatorul ca unealtă percutoare.   |
|        | Nu lăsați acumulatorul să cadă. Nu utilizați niciun acumulator care a suferit o lovitură sau este deteriorat într-un alt mod. |

## 1.4 Informații despre produs

Produsele sunt destinate utilizatorilor profesioniști, iar operarea cu acestea, întreținerea și repararea lor sunt activități permise numai personalului autorizat și instruit. Acest personal trebuie să fie instruit în mod special cu privire la potențialele pericole. Produsul și mijloacele sale auxiliare pot genera pericole dacă sunt utilizate necorespunzător sau folosite inadecvat destinației de către personal neinstruit. Indicativul de model și numărul de serie sunt indicate pe plăcuța de identificare.

- ▶ Transcrieți numărul de serie în tabelul următor. Datele despre produs vă sunt necesare în cazul solicitărilor de informații la reprezentanța noastră sau la centrul de service.

### Date despre produs

|   |                    |
|---|--------------------|
| Mașină de găurit și înșurubat   Mașină de înșurubat și găurit cu percuție | SF 6-22   SF 6H-22 |
| Generația   | 03                 |
| Număr de serie  |                    |

## 1.5 Declarație de conformitate

Producătorul declară pe proprie răspundere că produsul descris aici corespunde legislației și normelor în vigoare. O imagine a declarației de conformitate găsiți la finalul acestei documentații.

Documentațiile tehnice sunt stocate aici:

Hilti Entwicklungsgesellschaft mbH | Zulassung Geräte | Hiltistraße 6 | 86916 Kaufering, DE

## 2 Securitate

### 2.1 Instrucțiuni de ordin general privind securitatea și protecția muncii pentru sculele electrice

**⚠ ATENȚIONARE Consultați toate instrucțiunile de protecție a muncii, instrucțiunile de lucru, imaginile și datele tehnice cu care este prevăzută această sculă electrică.** Neglijențele în respectarea următoarelor instrucțiuni pot provoca electrocutări, incendii și/ sau accidentări grave.

**Păstrați toate instrucțiunile de protecție a muncii și instrucțiunile de lucru pentru consultare în viitor.**

Termenul de „sculă electrică” folosit în instrucțiunile de protecție a muncii se referă la sculele cu alimentare de la rețea (cu cablu de rețea) la sculele electrice cu alimentare de la acumulatori (fără cablu de rețea).

#### Securitatea în locul de muncă

- ▶ **Mențineți curățenia și un iluminat bun în zona de lucru.** Dezordinea sau iluminatul insuficient în zona de lucru pot constitui surse de accidente.
- ▶ **Nu lucrați cu scula electrică în medii cu pericol de explozie, în care sunt prezente lichide, gaze sau pulberi inflamabile.** Sculele electrice generează scântei care pot aprinde pulberile sau vaporii.
- ▶ **Nu permiteți accesul copiilor și al altor persoane în zona de lucru pe parcursul utilizării sculei electrice.** În cazul distragerii atenției, puteți pierde controlul asupra aparatului.

#### Securitatea electrică

- ▶ **Fișa de racord a sculei electrice trebuie să se potrivească cu priza de alimentare. Orice gen de modificare a fișei este interzis. Nu folosiți niciun tip de fișe adaptoare împreună cu scule electrice cu pământare de protecție.** Fișele nemodificate și prizele adecvate diminuează riscul de electrocutare.
- ▶ **Evitați contactul corpului cu suprafețele legate la pământ, cum ar fi țevile, sistemele de încălzire, plitele și frigiderele.** Există un risc major de electrocutare atunci când corpul se află în contact cu obiecte legate la pământ.
- ▶ **Feriți sculele electrice de influența ploii și umidității.** Pătrunderea apei în scula electrică crește riscul de electrocutare.



- ▶ **Nu utilizați cablul de legătură în scopuri pentru care nu este destinat, de exemplu pentru a transporta scula electrică, a suspenda scula electrică sau pentru a trage fișa din priza de alimentare.** Feriți cablul de legătură de influențele căldurii, uleiului, muchiilor ascuțite sau componentelor aflate în mișcare. Cablurile de legătură deteriorate sau înfășurate majorează riscul de electrocutare.
- ▶ **Dacă lucrați cu o sculă electrică în aer liber, utilizați numai cabluri prelungitoare care sunt adecvate și pentru folosirea în exterior.** Folosirea cablurilor prelungitoare adecvate lucrului în aer liber diminuează riscul de electrocutare.
- ▶ **Dacă punerea în exploatare a sculei electrice într-un mediu cu umiditate nu se poate evita, utilizați un întrerupător automat de protecție diferențial.** Utilizarea unui întrerupător automat de protecție diferențial diminuează riscul de electrocutare.

#### Securitatea persoanelor

- ▶ **Procedați cu atenție, concentrați-vă la ceea ce faceți și lucrați în mod rațional atunci când manevrați o sculă electrică.** Nu folosiți nicio sculă electrică dacă sunteți obosit sau dacă vă aflați sub influența drogurilor, alcoolului sau medicamentelor. Un moment de neatenție în folosirea sculei electrice poate duce la accidentări serioase.
- ▶ **Purtați echipament personal de protecție și, întotdeauna, ochelari de protecție.** Folosirea echipamentelor personale de protecție, ca de ex. masca anti-praf, încălțăminte antiderapantă, casca de protecție sau căștile antifonice, în funcție de tipul sculei electrice și de natura aplicației de lucru, duce la diminuarea riscului de accidentare.
- ▶ **Împiedicați pornirea involuntară a aparatului.** Asigurați-vă că scula electrică este deconectată, înainte de a o racorda la alimentarea electrică și/ sau la acumulator, de a o lua din locul de lucru sau de a o transporta. Situațiile în care transportați scula electrică ținând degetul pe întrerupător sau racordați aparatul în stare pornită la alimentarea electrică pot duce la accidente.
- ▶ **Înainte de a porni scula electrică, îndepărtați uneltele de reglaj sau cheile fixe.** Un accesoriu de lucru sau o cheie fixă, aflate într-o componentă rotativă a aparatului, pot provoca vătămări corporale.
- ▶ **Evitați o poziție anormală a corpului.** Asigurați-vă o poziție stabilă și păstrați-vă întotdeauna echilibrul. În acest fel, veți putea controla mai bine scula electrică în situații neașteptate.
- ▶ **Purtați îmbrăcăminte de lucru adecvată.** Nu purtați haine largi sau bijuterii. Țineți părul, îmbrăcăminte și mânușile departe de componentele aflate în mișcare. Îmbrăcăminte largă, bijuteriile sau părul lung pot fi prinse de piesele aflate în mișcare.
- ▶ **Dacă există posibilitatea montării unor accesorii de aspirare și capture a prafului, asigurați-vă că acestea sunt racordate și folosite corect.** Utilizarea unui sistem de aspirare a prafului poate diminua pericolul provocat de praf.
- ▶ **Nu vă bazați pe măsuri de securitate greșite și nu vă dispensați de reglementările de securitate pentru sculele electrice, chiar dacă sunteți familiarizat cu scula electrică după multiple folosiri ale acestora.** Lucrul neatențat poate duce în fracțiuni de secundă la accidentări grave.

#### Utilizarea și manevrarea sculei electrice

- ▶ **Nu suprasolicitați aparatul.** Folosiți scula electrică special destinată lucrării dumneavoastră. Cu scula electrică adecvată, lucrați mai bine și mai sigur în domeniul de putere specificat.
- ▶ **Nu folosiți nicio sculă electrică având întrerupătorul defect.** O sculă electrică ce nu mai permite pornirea sau oprirea sa este periculoasă și trebuie reparată.
- ▶ **Scoateți fișa din priză și/ sau înlăturați acumulatorul dacă este detașabil, înainte de executarea unor reglaje la aparat, înlocuirea accesoriilor sau depozitarea aparatului.** Această măsură de precauție reduce riscul unei porniri involuntare a sculei electrice.
- ▶ **Păstrați sculele electrice în locuri inaccesibile copiilor, atunci când nu le utilizați.** Nu permiteți folosirea aparatului de către persoane care nu sunt familiarizate cu acesta sau care nu au citit instrucțiunile de față. Sculele electrice sunt periculoase atunci când sunt folosite de persoane fără experiență.
- ▶ **Îngrijiiți sculele electrice și accesoriile cu multă atenție.** Controlați funcționarea impecabilă a componentelor mobile și verificați dacă acestea nu se blochează, dacă există piese sparte sau care prezintă deteriorări de natură să influențeze negativ funcționarea sculei electrice. Dispuneți repararea pieselor deteriorate înainte de punerea în exploatare a aparatului. Multe accidente se produc din cauza întreținerii defectuoase a sculelor electrice.
- ▶ **Păstrați accesoriile așchietoare bine ascuțite și curate.** Accesoriile așchietoare întreținute atent, cu muchii așchietoare bine ascuțite se blochează mai greu și pot fi conduse mai ușor.
- ▶ **Utilizați scula electrică, accesoriile, dispozitivele de lucru etc. corespunzător acestor instrucțiuni.** Țineți seama de condițiile de lucru și de activitatea care urmează a fi desfășurată. Folosirea unor scule electrice destinate altor aplicații de lucru decât cele prevăzute poate conduce la situații periculoase.



- ▶ **Mențineți mânerele și suprafețele mânerelor în stare uscată, curată, fără ulei și unsoare.** Mânerele și suprafețele mânerelor nu permit utilizarea și controlul sculei electrice în siguranță în situații neprevăzute, dacă sunt alunecoase.

#### Utilizarea și manevrarea sculei cu acumulatori

- ▶ **Încărcați acumulatorii numai în redresoarele recomandate de producător.** Pentru un redresor adecvat unui anumit tip de acumulatori, apare pericolul de incendiu dacă acesta este utilizat cu alți acumulatori.
- ▶ **Utilizați numai acumulatorii prevăzuți special pentru sculele electrice.** Folosirea altor acumulatori poate duce la accidentări și poate provoca pericol de incendiu.
- ▶ **Țineți acumulatorii nefolosiți la distanță de agrafele de birou, monede, chei, cuie, șuruburi sau alte obiecte metalice mici, care ar putea provoca scurtcircuitarea contactelor.** Un scurtcircuit între contactele acumulatorului poate avea ca urmări arsuri sau incendii.
- ▶ **La folosirea în mod eronat, este posibilă eliminarea de lichid din acumulatori. Evitați contactul cu acesta. În cazul contactului accidental, spălați cu apă. Dacă lichidul ajunge în ochi, solicitați suplimentar asistență medicală.** Lichidul ieșit din acumulatori poate provoca iritații ale pielii sau arsuri.
- ▶ **Nu folosiți acumulatorii deteriorați sau modificați.** Acumulatorii deteriorați sau modificați se pot comporta imprevizibil și pot provoca incendii, explozii sau pericol de accidentări.
- ▶ **Nu expuneți un acumulator la foc sau la temperaturi prea ridicate.** Focul sau temperaturile de peste 130 °C (265 °F) pot provoca o explozie.
- ▶ **Urmați toate instrucțiunile de încărcare și nu încărcați niciodată acumulatorul sau unealta cu acumulator la valori situate în afara domeniului de temperatură indicat în instrucțiunile de exploatare.** Încărcarea greșită sau încărcarea la valori în afara domeniului avizat de temperatură poate distruge acumulatorul și crește pericolul de incendiu.

#### Service

- ▶ **Încredințați repararea sculei electrice a dumneavoastră numai personalului calificat de specialitate și numai în condițiile folosirii pieselor de schimb originale.** În acest fel, este garantată menținerea siguranței de exploatare a aparatului.
- ▶ **Nu executați niciodată lucrări de întreținere la un acumulator deteriorat.** Toate lucrările de întreținere la acumulatori se vor executa numai de către producător sau de centrele de asistență pentru clienți, împuternicite de producător.

## 2.2 Instrucțiuni de protecție a muncii pentru mașini de găurit

### Instrucțiuni de protecție a muncii pentru toate lucrările

- ▶ **Purtați căști antifonice la găurirea cu percuție.** Efectele zgomotului pot conduce la pierderea auzului.
- ▶ **Folosiți mânerul suplimentar.** Pierderea controlului poate duce la accidentări.
- ▶ **Țineți scula electrică de suprafețele izolate ale mânerelor, când executați lucrări în care dispozitivul de lucru poate întâlni conductori electrici ascunși sau șuruburile.** Contactul cu un conductor parcurs de curent poate pune sub tensiune și piesele metalice ale aparatului și poate duce la electrocutări.

### Instrucțiuni de protecție a muncii în cazul utilizării unui burghiu lung

- ▶ **Nu lucrați în niciun caz cu turație mai ridicată decât turația maximă admisibilă pentru burghiu.** În cazul turațiilor mai ridicate, burghiul se poate îndoi ușor dacă este posibilă rotirea liberă a lui fără contact cu piesa care se prelucrează și apare posibilitatea de producere a unor accidentări.
- ▶ **Începeți întotdeauna procesul de găurire cu turație scăzută și cât timp burghiul are contact cu piesa care se prelucrează.** În cazul turațiilor mai ridicate, burghiul se poate îndoi ușor dacă este posibilă rotirea liberă a lui fără contact cu piesa care se prelucrează și apare posibilitatea de producere a unor accidentări.
- ▶ **Nu exercitați o presiune excesivă și apăsați numai pe direcție longitudinală pe burghiu.** Burghiele se pot îndoi și, ca urmare, se pot rupe sau apare posibilitatea de pierdere a controlului și de producere a unor accidentări.

## 2.3 Instrucțiuni suplimentare de protecție a muncii pentru mașina de înșurubat

- ▶ Folosiți produsul și accesoriile numai în stare tehnică impecabilă.
- ▶ Nu efectuați niciodată intervenții neautorizate sau modificări asupra produsului sau accesoriilor.
- ▶ Verificați înainte de începerea lucrului dacă în zona de lucru există conductori electrici, conducte de gaz și țevi de apă acoperite. Piesele metalice aflate în contact exterior cu produsul pot cauza o electrocutare sau o explozie, dacă deteriorați un conductor electric, o conductă de gaz sau o țevă de apă.



- ▶ Praful format în lucrările de șlefuire, șmirgheluire, tăiere și găurire poate conține substanțe chimice periculoase. Câteva exemple sunt: Plumb sau vopsele pe bază de plumb; Căramidă, beton și alte produse de zidărie, piatră naturală și alte produse care conțin siliciu; Anumite tipuri de lemn, cum sunt stejarul, fagul și lemnul tratat chimic; Azbest sau materiale care conțin azbest. Determinați expunerea operatorului și persoanelor din preajmă prin clasa de pericolozitate a materialelor la care se lucrează. Întreprindeți măsurile necesare pentru a menține valorile de expunerea la un nivel sigur, ca de ex. utilizarea unui sistem de colectare a prafului sau purtarea unei măști de protecție respiratorie adecvate. Din măsurile generale pentru diminuarea expunerii fac parte:
  - ▶ Lucrul într-un spațiu bine aerisit,
  - ▶ Evitarea contactului îndelungat cu praful,
  - ▶ Deviarea prafului din zona feței și corpului,
  - ▶ Purtarea îmbrăcămînții de protecție și spălarea zonelor expuse cu apă și săpun.
- ▶ Pericol de accidentare în caz de cădere a accesoriilor de lucru și/ sau sculelor. Înainte de începerea lucrului, controlați ca acumulatorul și accesoriul montat să fie fixate în siguranță.
- ▶ La execuția lucrărilor de străpungere, asigurați zona de pe partea opusă lucrării. Fragmentele demolate pot cădea în afară și/ sau în jos și pot răni alte persoane.
  - ▶ Produsul vă poate dezechilibra la o străpungere bruscă a zidăriei. Cordați atenție poziției stabile și echilibrului dumneavoastră când executați lucrări de străpungere la pereți sau plafoane.
- ▶ Nu utilizați capete de înșurubat tocite.
- ▶ Folosiți mânerele suplimentare livrate cu produsul. Pierderea controlului poate duce la accidentări. Asigurați-vă că mânerul suplimentar are stabilitate și este montat ferm.
- ▶ Conectați produsul numai când l-ați adus în poziția de lucru.
- ▶ Țineți întotdeauna ferm produsul cu ambele mâini de mânerele special prevăzute. Țineți mânerele uscate și curate.
- ▶ Mențineți întotdeauna libere fantele de aerisire. Pericol de arsuri dacă fantele de aerisire sunt acoperite!
- ▶ Evitați atingerea pieselor în rotație - pericol de accidentare!
- ▶ Pe parcursul utilizării produsului, purtați o apărătoare pentru ochi, cască de protecție, căști antifonice și o mască de protecție respiratorie adecvată.
- ▶ Utilizați o apărătoare pentru ochi. Materialul sub formă de așchii poate produce vătămări ale corpului și ochilor.
- ▶ Nu priviți direct în elementul de iluminat (LED) al produsului și nu iluminați în față alte persoane. Apare pericol de orbire.
- ▶ Faceți frecvent pauze și exerciții pentru îmbunătățirea circulației sanguine în degetele dumneavoastră. În cazul lucrărilor lungi, din cauza vibrațiilor intense sunt posibile tulburări la nivelul vaselor sanguine sau al sistemului nervos în degete, mâini sau articulațiile mâinilor.
- ▶ Așteptați până când produsul a ajuns în stare de repaus, înainte de a-l depune.
- ▶ Purtați mănuși de protecție la schimbarea accesoriilor de lucru. Atingerea dispozitivului de lucru poate duce la vătămări prin tăiere și arsuri.

#### 2.4 Manevrarea și folosirea cu precauție a acumulatorilor

- ▶ **Aveți în vedere următoarele instrucțiuni de protecție a muncii pentru manevrarea și utilizarea fără riscuri a acumulatorilor Li-Ion.** Nerespectarea acestora poate duce la iritații ale pielii, vătămări grave produse prin coroziune, arsuri chimice, incendii și/ sau explozii.
- ▶ Utilizați acumulatorii numai în stare tehnică impecabilă.
- ▶ Manevrați acumulatori cu atenție, pentru a evita deteriorările și scăpările de lichide foarte dăunătoare sănătății!
- ▶ Modificarea sau manipularea acumulatorilor nu este permisă în niciun caz!
- ▶ Nu este permisă dezmembrarea, strivirea, încălzirea la peste 80°C (176°F) sau arderea acumulatorilor.
- ▶ Nu utilizați sau încărcăți niciun acumulator care a suferit o lovitură sau care a fost deteriorat în alt mod. Verificați regulat dacă acumulatorii dumneavoastră prezintă semnalmente de deteriorări.
- ▶ Nu utilizați niciodată acumulatori reciclați sau reparați.
- ▶ Nu folosiți niciodată acumulatorul sau o sculă electrică alimentată de la acumulatori pe post de unealtă percutoare.
- ▶ Nu expuneți niciodată acumulatorii direct la soare, unei temperaturi ridicate, formării de scântei sau flăcărilor deschise. Acest lucru poate duce la explozii.
- ▶ Nu atingeți polii bateriei cu degetele, cu accesori de lucru, bijuterii sau alte obiecte care prezintă conductibilitate electrică. Acest lucru poate deteriora acumulatorul și poate cauza prejudicii materiale și vătămări.



- ▶ Feriți acumulatorii de ploaie, umezeală și lichide. Pătrunderea de umiditate poate cauza scurtcircuitul, electrocutări, arsuri, incendiu și explozii.
- ▶ Utilizați numai redresoarele și sculele electrice prevăzute pentru acest tip de acumulator. Aveți în vedere în acest scop datele din manualele de utilizare corespunzătoare.
- ▶ Nu utilizați sau depozitați acumulatorul în medii cu pericol de explozie.
- ▶ Dacă acumulatorul se înfierbântă prea puternic pentru a putea fi ținut în mână, este posibil ca el să fie defect. Așezați acumulatorul într-un loc vizibil, fără pericol de incendiu, la o distanță suficientă față de materialele inflamabile. Lăsați acumulatorul să se răcească. Dacă acumulatorul este încă prea fierbinte pentru a putea fi ținut în mână după o oră, atunci el este defect. Adresați-vă centrului de service **Hilti** sau citiți documentul "Indicații referitoare la securitate și utilizare pentru acumulatorii Li-Ion marca **Hilti**".

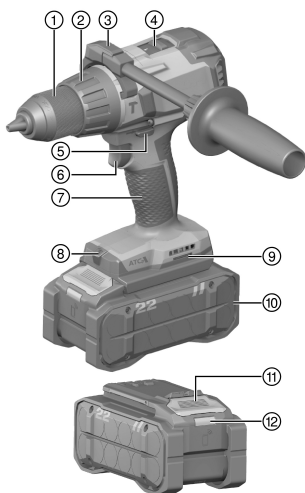


Aveți în vedere directivele speciale, valabile pentru transportul, depozitarea și utilizarea acumulatorilor Litiu-Ion. → Pagina 94

Citiți indicațiile referitoare la securitate și utilizare pentru acumulatorii Li-Ion marca **Hilti**, pe care le găsiți prin scanarea codului QR de la finalul acestui manual de utilizare.

### 3 Descriere

#### 3.1 Vedere generală a produsului



- ① Mandrină cu strângere rapidă
- ② Inel de reglare pentru cuplul de rotație și funcție
- ③ Mâner lateral
- ④ Selectorul treptei de viteză
- ⑤ Inversor pentru rotație dreapta/ stânga cu siguranță pentru transport
- ⑥ Comutator de comandă cu sistem de comandă electronică pentru turație
- ⑦ Mâner
- ⑧ Lampă pentru iluminarea zonei de lucru (LED)
- ⑨ Deschidere de montaj pentru accesorii
- ⑩ Acumulator
- ⑪ Tastă pentru deblocare a acumulatorului
- ⑫ Indicator de stare acumulator

#### 3.2 Utilizarea conformă cu destinația

Produsul descris este o mașină de găurit și înșurubat cu dirijare manuală și cu alimentare de la acumulatori. El este destinat găuririi în oțel, lemn și material plastic, beton ușor și zidărie, precum și introducerii prin rotație și desfacerii șuruburilor.

- Utilizați pentru acest produs numai acumulatori Li-Ion **Hilti** Nuron din seria de tip B 22. Pentru optimizarea randamentului, **Hilti** recomandă pentru acest produs acumulatorii indicați în tabelul de la finalul acestui manual de utilizare.
- Utilizați pentru acești acumulatori numai redresoarele **Hilti** din seriile de tip menționate în tabelul de la finalul acestui manual de utilizare.

#### 3.3 ATC

Produsul este echipată cu decuplare electronică rapidă ATC (Active Torque Control).

Dacă dispozitivul de lucru se blochează sau se înțepenește, produsul se rotește brusc necontrolat în sens opus. ATC detectează această mișcare bruscă de rotație a produsului și deconectează imediat produsul.





Pentru o funcționare conformă cu prescripțiile, produsul trebuie să permită rotirea. După ce decuplarea rapidă a reușit, deconectați și conectați din nou produsul.

### 3.4 Indicatorul de suprasarcină și de supraîncălzire

Produsul este echipat cu un dispozitiv electronic de protecție la suprasarcină și cu protecție la supraîncălzire. În caz de suprasolicitare sau de supraîncălzire, produsul se deconectează automat. Dacă se eliberează comutatorul de comandă și se apasă din nou, se pot produce întârzieri de conectare (fazele de răcire a produsului).

### 3.5 Indicațiile acumulatorului Li-Ion

Hilti Nuron Acumulatorii Li-Ion pot indica starea de încărcare, mesaje de eroare și starea acumulatorilor.

#### 3.5.1 Indicatoare pentru starea de încărcare și mesaje de eroare

##### ATENȚIONARE

##### Pericol de accidentare prin căderea acumulatorului!

- ▶ Cu acumulatorul introdus, asigurați-vă după apăsarea tastei pentru deblocare că fixați în poziție acumulatorul din nou corect în produsul utilizat.

Pentru a obține una dintre următoarele indicații, apăsați scurt tasta pentru deblocare a acumulatorului. Starea de încărcare, precum și avariiile posibile sunt afișate și permanent, cât timp produsul racordat este conectat.

| Starea  | Semnificație   |
|---|--|
| Patru (4) LED-uri luminează constant în verde                   | Starea de încărcare: 100 % până la 71 %  |
| Trei (3) LED-uri luminează constant în verde                    | Starea de încărcare: 70 % până la 51 %   |
| Două (2) LED-uri luminează constant în verde                    | Starea de încărcare: 50 % până la 26 %   |
| Un (1) LED luminează constant în verde                          | Starea de încărcare: 25 % până la 10 %   |
| Un (1) LED se aprinde intermitent cu frecvență lentă în verde   | Starea de încărcare: < 10 %  |
| Un (1) LED se aprinde intermitent cu frecvență rapidă în verde  | Acumulatorul Li-Ion este complet descărcat. Încărcați acumulatorul.<br>Dacă LED-ul se aprinde în continuare intermitent cu frecvență rapidă după încărcarea acumulatorului, adresați-vă centrului de service <b>Hilti</b> .  |
| Un (1) LED se aprinde intermitent cu frecvență rapidă în galben | Acumulatorul Li-Ion sau produsul asociat sunt suprasolicitate, prea fierbinți, prea reci sau este prezentă o altă eroare.<br>Aduceți produsul și acumulatorul la temperatura de lucru recomandată și nu suprasolicitați produsul în aplicația de lucru.<br>Dacă mesajul apare în continuare, adresați-vă centrului de service <b>Hilti</b> . |
| Un (1) LED se aprinde în galben                                 | Acumulatorul Li-Ion și produsul asociat nu sunt compatibile. Vă rugăm să vă adresați centrului de service <b>Hilti</b> .   |
| Un (1) LED se aprinde intermitent cu frecvență rapidă în roșu   | Acumulatorul Li-Ion este blocat și nu poate fi utilizat în continuare. Vă rugăm să vă adresați centrului de service <b>Hilti</b> .   |

#### 3.5.2 Indicatoare pentru starea acumulatorului

Pentru a interoga starea acumulatorului, țineți apăsată tasta pentru deblocare mai mult de trei secunde. Sistemul nu detectează nicio disfuncționalitate potențială a bateriei din cauza unui tratament abuziv, ca de ex. cădere, împunsături, deteriorări externe cauzate de căldură etc.



| Starea  | Semnificație  |
|---|---|
| Toate LED-urile se aprind ca lumină dinamică și apoi se aprinde un (1) LED constant în verde.           | Acumulatorul poate fi utilizat în continuare.   |
| Toate LED-urile se aprind ca lumină dinamică și apoi se aprinde intermitent un (1) LED rapid în galben. | Interogarea stării acumulatorului nu a putut fi încheiată. Repetați procedeul sau adresați-vă centrului de service <b>Hilti</b> .   |
| Toate LED-urile se aprind ca lumină dinamică și apoi se aprinde (1) LED constant în roșu.               | Dacă un produs racordat poate fi utilizat în continuare, capacitatea rămasă a acumulatorului este sub 50%.<br>Dacă un produsul racordat nu mai poate fi utilizat, acumulatorul este la finalul duratei sale de serviciu și trebuie să fie înlocuit. Vă rugăm să vă adresați centrului de service <b>Hilti</b> . |

### 3.6 Setul de livrare

Mașină de găurit și înșurubat, mâner lateral, manual de utilizare.

Alte produse din sistem, avizate pentru produsul dumneavoastră, găsiți la centrul dumneavoastră **Hilti Store** sau online la: [www.hilti.group](http://www.hilti.group)

## 4 Date tehnice

|  |           | SF 6-22                        | SF 6H-22                       |
|--|-----------|--------------------------------|--------------------------------|
| Tensiunea nominală                                 |           | 21,6 V <sub>DC</sub>           | 21,6 V <sub>DC</sub>           |
| Greutate conform EPTA Procedure 01 fără acumulator |           | 2,0 kg                         | 2,0 kg                         |
| Turație  | Treapta 1 | 0 rot/min ...<br>490 rot/min   | 0 rot/min ...<br>490 rot/min   |
|  | Treapta 2 | 0 rot/min ...<br>2.000 rot/min | 0 rot/min ...<br>2.000 rot/min |
| Cuplu de rotație (înșurubare în material moale)    |           | ≤ 65 Nm                        | ≤ 65 Nm                        |
| Frecvența de percuție                              |           | •/•                            | 36.000 rot/min                 |
| Temperatura ambiantă în timpul funcționării        |           | -17 °C ... 60 °C               | -17 °C ... 60 °C               |
| Temperatura de depozitare                          |           | -20 °C ... 70 °C               | -20 °C ... 70 °C               |

### 4.1 Acumulator

|  |  |
|--|--|
| Tensiunea de lucru a acumulatorului                | 21,6 V                                   |
| Greutate acumulator                                | Vezi finalul acestui manual de utilizare |
| Temperatura ambiantă în timpul funcționării        | -17 °C ... 60 °C                         |
| Temperatura de depozitare                          | -20 °C ... 40 °C                         |
| Temperatura acumulatorului la începutul încărcării | -10 °C ... 45 °C                         |

### 4.2 Diametrul admisibil pentru dispozitive de lucru

|  | SF 6-22          | SF 6H-22         |
|--|------------------|------------------|
| Ø interval de strângere mandrină rapidă          | 1,5 mm ... 13 mm | 1,5 mm ... 13 mm |
| Ø burghiu pentru lemn (dur)                      | 1,5 mm ... 20 mm | 1,5 mm ... 20 mm |
| Ø burghiu pentru lemn (moale)                    | 1,5 mm ... 32 mm | 1,5 mm ... 32 mm |
| Ø burghiu pentru metal                           | 1,5 mm ... 13 mm | 1,5 mm ... 13 mm |
| Ø găurire în beton/zidărie (găurire cu percuție) | •/•              | 4 mm ... 12 mm   |





### 4.3 Datele privind zgomotul și valorile vibrațiilor conform EN 62841

Valorile presiunii acustice și ale vibrațiilor indicate în aceste instrucțiuni au fost măsurate corespunzător unui procedeu standardizat de măsură și pot fi utilizate pentru compararea reciprocă a sculelor electrice. Ele sunt adecvate și pentru o apreciere provizorie a valorilor de expunere.

Datele indicate se referă la aplicațiile principale de lucru ale sculei electrice. Fiește că, dacă scula electrică este utilizată pentru alte aplicații de lucru cu dispozitive de lucru neprevăzute sau cu o întreținere insuficientă, datele pot să difere. Acest lucru poate ridica în mod considerabil valorile de expunere pe întreaga durată de lucru.

Pentru o apreciere exactă a valorilor de expunere, trebuie să se ia în calcul și timpii în care aparatul este deconectat sau în care el funcționează, dar nu execută efectiv nicio activitate. Acest lucru poate reduce în mod considerabil valorile de expunere pe întreaga durată de lucru.

Stabiliți măsuri de securitate suplimentare pentru protecția operatorului față de efectele sonore și ale vibrațiilor, ca de exemplu: întreținerea sculei electrice și a dispozitivelor de lucru, menținerea mâinilor în stare caldă, organizarea proceselor de lucru.

#### Valorile emisiei de zgomot

|  | SF 6-22    | SF 6H-22    |
|--|------------|-------------|
| Nivelul presiunii acustice emise ( $L_{pA}$ )                | 74,5 dB(A) | 94,5 dB(A)  |
| Insecuritatea pentru nivelul presiunii acustice ( $K_{pA}$ ) | 5 dB(A)    | 5 dB(A)     |
| Nivelul puterii acustice ( $L_{WA}$ )                        | 85,5 dB(A) | 105,5 dB(A) |
| Insecuritatea pentru nivelul puterii acustice ( $K_{WA}$ )   | 5 dB(A)    | 5 dB(A)     |

#### Valori totale ale vibrațiilor

|  |          | SF 6-22              | SF 6H-22              |
|--|----------|----------------------|-----------------------|
| Valoarea emisiei vibrațiilor pentru găurire în metal ( $a_{h,b}$ )             | B 22-85  | 1,0 m/s <sup>2</sup> | 1,2 m/s <sup>2</sup>  |
|  | B 22-170 | 0,7 m/s <sup>2</sup> | 1,1 m/s <sup>2</sup>  |
| Insecuritatea la găurire în metal (K)  |          | 1,5 m/s <sup>2</sup> | 1,5 m/s <sup>2</sup>  |
| Valoarea emisiei vibrațiilor pentru găurire cu percuție în beton ( $a_{h,b}$ ) | B 22-85  | •/•                  | 11,9 m/s <sup>2</sup> |
|  | B 22-170 | •/•                  | 10,6 m/s <sup>2</sup> |
| Insecuritatea la găurire cu percuție în beton (K)                              |          | •/•                  | 1,5 m/s <sup>2</sup>  |

## 5 Pregătirea lucrului

### ATENȚIONARE

#### Pericol de accidentare Prin pornirea involuntară!

- ▶ Înainte de introducerea acumulatorului, asigurați-vă că produsul aferent este deconectat.
- ▶ Înlăturați acumulatorul înainte de a realiza reglaje la mașină sau de a schimba accesorii.

Aveți în vedere indicațiile de securitate și de avertizare din această documentație și de pe produs.

### 5.1 Încărcarea acumulatorului

1. Înainte de încărcare, citiți manualul de utilizare al redresorului.
2. Aveți în vedere ca la contactele acumulatorului și ale redresorului să existe curățenie și acestea să fie uscate.
3. Încărcați acumulatorul într-un redresor avizat. → Pagina 88

### 5.2 Introducerea acumulatorului

### ATENȚIONARE

#### Pericol de accidentare Prin scurtcircuit sau căderea acumulatorului!

- ▶ Înainte de introducerea acumulatorului, asigurați-vă că la contactele acumulatorului și la contactele de pe produs nu există corpuri străine.
- ▶ Asigurați-vă că acumulatorul este întotdeauna fixat corect în poziție.

1. Încărcați acumulatorul complet înainte de prima punere în funcțiune.



2. Introduceți prin glisare acumulatorul în produs până când acesta se înclichetează cu zgomotul caracteristic.
3. Controlați stabilitatea acumulatorului.

### 5.3 Îndepărtarea acumulatorului

1. Apăsăți tasta pentru deblocare a acumulatorului.
2. Trageți acumulatorul afară din produs.

### 5.4 Montarea mânerului lateral

#### AVERTISMENT

**Pericol de accidentare!** Pierdere a controlului asupra mașinii de perforat rotopercutante.

- ▶ Asigurați-vă că mânerul lateral este montat și fixat corect. Asigurați-vă de poziția corectă a clemelor în canelurile prevăzute special.

1. Rotiți de mâner, pentru a desface clemele mânerului lateral.
2. Introduceți suportul de susținere al mânerului lateral complet pe carcasă și introduceți prin glisare clemele în canelurile prevăzute special.
3. Rotiți de mâner, pentru a tensiona suportul de susținere de la mânerul lateral.

### 5.5 Introducerea dispozitivului de lucru


1. Deschideți mandrina cu strângere rapidă.
2. Introduceți dispozitivul de lucru în mandrină.
3. Strângeți ferm prin rotire mandrina cu strângere rapidă.
4. Verificați stabilitatea dispozitivului de lucru.

### 5.6 Siguranță pentru lucru la înălțime

#### ATENȚIONARE


**Pericol de accidentare** Prin căderea accesoriului de lucru și/ sau altor accesorii!

- ▶ Utilizați numai firul de susținere a accesoriului de lucru **Hilti** recomandat pentru produsul dumneavoastră.
- ▶ Înainte de fiecare utilizare, verificați dacă la punctul de fixare al firului de susținere a accesoriului de lucru există deteriorări.
- ▶ Nu fixați niciun fir de susținere a accesoriului de lucru la agățătoarea de centură. Nu utilizați agățătoarea de centură pentru ridicarea produsului.

 Respectați directivele naționale din țara dumneavoastră pentru lucrul la înălțime.

Ca siguranță de lucru la înălțime pentru acest produs, utilizați exclusiv o combinație între siguranța în caz de cădere **Hilti** și firul de susținere a accesoriului de lucru **Hilti** #2261970.

- ▶ Fixați siguranța de cădere în deschiderile de montaj pentru accesorii. Controlați stabilitatea.
- ▶ Fixați un cârlig cu carabină al firului de susținere a accesoriului de lucru la siguranța de cădere și al doilea cârlig cu carabină la o structură de rezistență. Controlați stabilitatea celor două cârlige cu carabină.

 Aveți în vedere manualele de utilizare pentru siguranța în caz de cădere **Hilti**, precum și pentru firul de susținere a accesoriului de lucru **Hilti**.

## 6 Modul de utilizare

#### AVERTISMENT

**Pericol de accidentare cauzat de blocarea dispozitivului de lucru !**

- ▶ Asigurați-vă că mânerul lateral este montat și fixat corect. Țineți întotdeauna ferm produsul cu ambele mâini de mânerul special prevăzute.
- ▶ Utilizați o apărătoare pentru ochi, pentru a vă proteja de sfărâmarea materialului.

Aveți în vedere indicațiile de securitate și de avertizare din această documentație și de pe produs.



### 6.1 Selectarea treptei de viteză

- ▶ Alegeți treapta de viteză.

### 6.2 Reglarea rotației spre dreapta/ stânga

- ▶ Fixați inversorul pentru rotație dreapta/ stânga pe rotație spre dreapta sau stânga.

### 6.3 Conectarea

- ▶ Acționați comutatorul de comandă.
  - ▶ Produsul pornește.



În funcție de adâncimea de apăsare în interior a comutatorului de comandă, turația poate fi reglată progresiv.

### 6.4 Înșurubarea

- ▶ Reglați inelul de reglare pentru cuplul de rotație și funcție pe cuplul de rotație necesar.

### 6.5 Găurirea

- ▶ Poziționați inelul de reglare pentru cuplul de rotație și funcție pe

### 6.6 Găurirea cu percuție

- ▶ Poziționați inelul de reglare pentru cuplul de rotație și funcție pe

### 6.7 Deconectarea

- ▶ Eliberați comutatorul de comandă.
  - ▶ Produsul se deconectează.

## 7 Îngrijirea și întreținerea



### ATENȚIONARE

#### Pericol de accidentare când acumulatorul este introdus !

- ▶ Înaintea tuturor lucrărilor de îngrijire și întreținere, extrageți întotdeauna acumulatorul!

#### Îngrijirea produsului

- Îndepărtați cu precauție murdăria aderentă.
- Dacă există, curățați cu precauție fantele de aerisire, folosind o perie uscată și moale.
- Curățați carcasa numai cu o cârpă ușor umezită. Nu utilizați produse de îngrijire care conțin silicon, deoarece acestea pot ataca piesele din plastic.
- Utilizați o cârpă curată și uscată, pentru a curăța contactele produsului.

#### Îngrijirea acumulatorilor Li-Ion

- Nu utilizați niciodată un acumulator cu fantele de aerisire astupate. Curățați fantele de aerisire cu multă atenție, folosind o perie uscată și moale.
- Evitați expunerea inutilă a acumulatorului la praf sau murdărie. Nu expuneți niciodată acumulatorul la umiditate ridicată (de ex. prin scufundare în apă sau lăsarea lui în ploaie). Dacă un acumulator este pătruns de umiditate, tratați-l ca pe un acumulator deteriorat. Izolați-l într-un recipient neinflamabil și adresați-vă centrului de service **Hilti**.
- Păstrați acumulatorul fără urme de ulei și unsoare de altă proveniență. Nu permiteți ca praful sau murdăria să se acumuleze inutil pe acumulator. Curățați acumulatorul cu o perie uscată și moale sau cu o cârpă curată și uscată. Nu utilizați produse de îngrijire care conțin silicon, deoarece acestea pot ataca piesele din plastic. Nu atingeți contactele acumulatorului și nu îndepărtați unsoarea aplicată din fabricație de pe contacte.
- Curățați carcasa numai cu o cârpă ușor umezită. Nu utilizați produse de îngrijire care conțin silicon, deoarece acestea pot ataca piesele din plastic.



## Întreținerea

- Verificați regulat la toate piesele vizibile dacă există deteriorări și funcționarea impecabilă a elementelor de comandă.
- În caz de deteriorări și/ sau disfuncționalități, nu puneți produsul în exploatare. Dispuneți urgent repararea produsului la centrul de service de la **Hilti**.
- După lucrările de îngrijire și întreținere, atașați toate dispozitivele de protecție și verificați funcționarea impecabilă a acestora.



Pentru o exploatare sigură utilizați numai piese de schimb și materiale consumabile originale. Piese de schimb, materiale consumabile și accesorii avizate de **Hilti** pentru produs găsiți la centrul dumneavoastră **Hilti Store** sau la: [www.hilti.group](http://www.hilti.group)

## 8 Transportul și depozitarea accesoriilor de lucru cu acumulator și a acumulatorilor

### Transportul



#### AVERTISMENT

#### Pornire involuntară la transport !

- ▶ Transportați întotdeauna produsele dumneavoastră fără acumulatori introduși!
- ▶ Extrageți acumulatorul/ acumulatorii.
- ▶ Nu transportați niciodată acumulatorii în vrac. Pe parcursul transportului, acumulatorii trebuie protejați împotriva șocurilor și vibrațiilor excesive și izolați de orice materiale conductoare electric sau de alți acumulator, astfel încât să nu ajungă în contact cu alte borne de baterie și să cauzeze un scurtcircuit. **Aveți în vedere prescripțiile de transport locale, valabile pentru acumulatori în zona dumneavoastră.**
- ▶ Trimiterea acumulatorilor prin poștă nu este permisă. Adresați-vă unei companii de expediții dacă doriți să trimiteți acumulatori nedeteriorați.
- ▶ Controlați înainte de fiecare utilizare, precum și înaintea unui transport lung și după acesta, dacă produsul și acumulatorii prezintă deteriorări.

### Depozitarea



#### ATENȚIONARE

#### Deteriorare involuntară cauzată de acumulatori defecți sau din care iese lichid !

- ▶ Depozitați întotdeauna produsele dumneavoastră fără acumulatori introduși!
- ▶ Depozitați produsul și acumulatorii în spații răcoroase și uscate. Aveți în vedere valorile limită de temperatură, indicate în Date tehnice.
- ▶ Nu păstrați acumulatorii în redresor. Scoateți întotdeauna acumulatorul de la redresor după procesul de încărcare.
- ▶ Nu depozitați niciodată acumulatorii în soare, pe surse de căldură sau în spatele geamurilor de sticlă.
- ▶ Depozitați produsul și acumulatorii în spații inaccesibile pentru copii și pentru persoanele neautorizate.
- ▶ Controlați înainte de fiecare utilizare, precum și înaintea unei depozitări lungi și după aceasta, dacă produsul și acumulatorii prezintă deteriorări.

## 9 Asistență în caz de avarii

La toate avariile, aveți în vedere indicatorul stării de încărcare și al erorilor pentru acumulator. Vezi capitolul **Indicațiile acumulatorului Li-Ion**.

În cazul avariilor care nu sunt prezentate în acest tabel sau pe care nu le puteți remedia prin mijloace proprii, vă rugăm să vă adresați centrul nostru de service **Hilti**.

| Avarie   | Cauza posibilă  | Soluție   |
|--|---|---|
| Produsul nu funcționează.  | Acumulatorul nu este introdus corespunzător.  | ▶ Introduceți acumulatorul.<br>→ Pagina 91  |
| Comutatorul de comandă nu permite apăsarea, respectiv este blocat. | Inversorul pentru rotație dreapta/stânga este în poziția centrală (poziția de transport). | ▶ Fixați inversorul pentru rotație dreapta/ stânga pe rotație spre dreapta sau stânga.<br>→ Pagina 93 |



| Avarie   | Cauza posibilă                                       | Soluție  |
|--|--|--|
| Dezvoltare puternică de căldură în produs sau acumulator | Defect electric                                      | ► Deconectați produsul imediat și extrageți acumulatorul. Lăsați-l să se răcească, ținându-l sub observație. Luați legătura cu centrul de service <b>Hilti</b> . |
| LED-urile acumulatorului nu indică nimic                 | Acumulator defect                                    | ► Adresați-vă centrului de service <b>Hilti</b> .  |
| SF 6H-22<br>Găurirea cu percuție nu este posibilă.       | Funcția nu este reglată corect la inelul de reglare. | ► Poziționați inelul de reglare pentru funcția "Găurire cu percuție"   |

## 10 Dezafectarea și evacuarea ca deșeuri

### ATENȚIONARE

**Pericol de accidentare prin dezafectarea și evacuarea improprie a deșeurilor!** Pericole pentru sănătate din cauza ieșirii de gaze sau lichide.

- Nu expediați sau trimiteți niciun acumulator deteriorat!
- Acoperiți racordurile cu un material neconductor electric, pentru a evita scurtcircuitule.
- Evacuați ca deșeu acumulatorii astfel încât ei să nu poată ajunge în mâinile copiilor.
- Evacuați acumulatorul ca deșeu la magazinul dumneavoastră **Hilti Store** sau adresați-vă companiei responsabile cu deșeurile din zona dumneavoastră.

Produsele **Hilti** sunt fabricate într-o proporție mare din materiale reutilizabile. Condiția necesară pentru reciclare este separarea corectă a materialelor. În multe țări, **Hilti** preia înapoi mașina dumneavoastră veche pentru valorificare. Solicitați informații de la centrul pentru clienți **Hilti** sau de la consilierul dumneavoastră de vânzări.



- Nu aruncați sculele electrice, aparatele electronice și acumulatorii în containerele de gunoi menajer!

## 11 Garanția producătorului

- Pentru relații suplimentare referitoare la condițiile de garanție legală, vă rugăm să vă adresați partenerului dumneavoastră local **Hilti**.

## 12 Alte informații

Informații adiționale referitoare la modul de utilizare, echipamente, mediu și reciclare găsiți sub următorul link: [qr.hilti.com/manual/?id=2275217&id=2275219](http://qr.hilti.com/manual/?id=2275217&id=2275219)

Găsiți acest link și la finalul documentației sub formă de cod QR.

## Πρωτότυπες οδηγίες χρήσης

### 1 Στοιχεία για την τεχνική τεκμηρίωση

#### 1.1 Σχετικά με την παρούσα τεκμηρίωση

- Πριν από την πρώτη θέση σε λειτουργία διαβάστε την παρούσα τεκμηρίωση. Αποτελεί προϋπόθεση για ασφαλή εργασία και απρόσκοπτο χειρισμό.
- Προσέξτε τις υποδείξεις ασφαλείας και προειδοποίησης στην παρούσα τεκμηρίωση και στο προϊόν.
- Φυλάξτε τις οδηγίες χρήσης πάντα στο προϊόν και δίνετε το προϊόν σε άλλα πρόσωπα μόνο μαζί με αυτές τις οδηγίες χρήσης.



## 1.2 Επεξήγηση συμβόλων

### 1.2.1 Υποδείξεις προειδοποίησης

Οι υποδείξεις προειδοποίησης προειδοποιούν από κινδύνους κατά την εργασία με το προϊόν. Χρησιμοποιούνται οι ακόλουθες λέξεις επισήμανσης:

#### ΚΙΝΔΥΝΟΣ

##### ΚΙΝΔΥΝΟΣ !

► Για μια άμεσα επικίνδυνη κατάσταση, που οδηγεί σε σοβαρό ή θανατηφόρο τραυματισμό.

#### ΠΡΟΕΙΔΟΠΟΙΗΣΗ

##### ΠΡΟΕΙΔΟΠΟΙΗΣΗ !

► Για μια πιθανά επικίνδυνη κατάσταση, που μπορεί να οδηγήσει σε σοβαρό ή θανατηφόρο τραυματισμό.

#### ΠΡΟΣΟΧΗ

##### ΠΡΟΣΟΧΗ !

► Για μια πιθανόν επικίνδυνη κατάσταση, που ενδέχεται να οδηγήσει σε τραυματισμούς ή υλικές ζημιές.

### 1.2.2 Σύμβολα στις οδηγίες χρήσης

Στις παρούσες οδηγίες χρήσης χρησιμοποιούνται τα ακόλουθα σύμβολα:

|  |  |
|--|--|
|  | Προσέξτε τις οδηγίες χρήσης  |
|  | Υποδείξεις χρήσης και άλλες χρήσιμες πληροφορίες                                   |
|  | Χειρισμός ανακυκλώσιμων υλικών   |
|  | Μην πετάτε τα ηλεκτρικά εργαλεία και τις μπαταρίες στον κάδο οικιακών απορριμμάτων |
|  | <b>Hilti</b> Επαναφορτιζόμενη μπαταρία Li-Ion                                      |
|  | <b>Hilti</b> Φορτιστής   |

### 1.2.3 Σύμβολα σε εικόνες

Στις εικόνες χρησιμοποιούνται τα ακόλουθα σύμβολα:

|  |   |
|--|---|
|  | Αυτοί οι αριθμοί παραπέμπουν στην εκάστοτε εικόνα στην αρχή αυτών των οδηγιών χρήσης.   |
|  | Η αρίθμηση δείχνει τη σειρά των βημάτων εργασίας στην εικόνα και ενδέχεται να διαφέρει από τα βήματα εργασίας στο κείμενο.  |
|  | Οι αριθμοί θέσης χρησιμοποιούνται στην εικόνα <b>Επισκόπηση</b> και παραπέμπουν στους αριθμούς του υπομνήματος στην ενότητα <b>Συνοπτική παρουσίαση προϊόντος</b> . |
|  | Αυτό το σύμβολο έχει σκοπό να επιστήσει ιδιαίτερα την προσοχή σας κατά την εργασία με το προϊόν.  |

## 1.3 Σύμβολα ανάλογα με το προϊόν

### 1.3.1 Πρόσθετα σύμβολα

Στην τεκμηρίωση ή στο προϊόν μπορεί να χρησιμοποιούνται επιπρόσθετα τα ακόλουθα σύμβολα:

|       |  |
|-------|--|
|       | Διάτρηση χωρίς κρούση                    |
|       | Διάτρηση με κρούση (κρουστική διάτρηση)  |
| $n_0$ | Ονομαστικός αριθμός στροφών χωρίς φορτίο |
| /min  | Στροφές ανά λεπτό                        |



|        |   |
|--------|---|
|        | Διάμετρος   |
|        | Δεξιόστροφη/αριστερόστροφη λειτουργία   |
|        | Συνεχές ρεύμα   |
| Li-Ion | Επαναφορτιζόμενη μπαταρία Li-Ion  |
|        | Το προϊόν υποστηρίζει τεχνολογία NFC, που είναι συμβατή με πλατφόρμες iOS και Android.  |
|        | Μην χρησιμοποιείτε την επαναφορτιζόμενη μπαταρία ποτέ ως κρουστικό εργαλείο.  |
|        | Μην αφήνετε την επαναφορτιζόμενη μπαταρία να πέσει κάτω. Μην χρησιμοποιείτε μια επαναφορτιζόμενη μπαταρία, η οποία έχει δεχτεί χτύπημα ή έχει υποστεί ζημιά με διαφορετικό τρόπο. |

#### 1.4 Πληροφορίες προϊόντος

Τα προϊόντα της προορίζονται για τον επαγγελματία χρήστη και ο χειρισμός, η συντήρηση και η επισκευή τους επιτρέπεται μόνο από εξουσιοδοτημένο, ενημερωμένο προσωπικό. Το προσωπικό αυτό πρέπει να έχει ενημερωθεί ειδικά για τους κινδύνους που ενδέχεται να παρουσιαστούν. Από το προϊόν και τα βοηθητικά του μέσα ενδέχεται να προκληθούν κίνδυνοι, όταν ο χειρισμός τους γίνεται με ακατάλληλο τρόπο από μη εκπαιδευμένο προσωπικό ή όταν δεν χρησιμοποιούνται με κατάλληλο τρόπο.

Η περιγραφή τύπου και ο αριθμός σειράς αναγράφονται στην πινακίδα τύπου.

- ▶ Αντιγράψτε τον αριθμό σειράς στον ακόλουθο πίνακα. Θα χρειαστείτε τα στοιχεία προϊόντος για ερωτήματα προς την αντιπροσωπεία μας ή το σέρβις μας.

##### Στοιχεία προϊόντος

|                                      |                    |
|--------------------------------------|--------------------|
| Δραπανοκατσάβιδο   Κρουστικό δράπανο | SF 6-22   SF 6H-22 |
| Γενιά                                | 03                 |
| Αρ. σειράς                           |                    |

#### 1.5 Δήλωση συμμόρφωσης

Ο κατασκευαστής δηλώνει ως μόνος υπεύθυνος ότι το προϊόν που περιγράφεται εδώ ικανοποιεί την ισχύουσα νομοθεσία και τα ισχύοντα πρότυπα. Ένα αντίγραφο της δήλωσης συμμόρφωσης υπάρχει στο τέλος αυτής της τεκμηρίωσης.

Τα έγγραφα τεχνικής τεκμηρίωσης υπάρχουν εδώ:

Hilti Entwicklungsgesellschaft mbH | Zulassung Geräte | Hiltistraße 6 | 86916 Kaufering, DE

## 2 Ασφάλεια

### 2.1 Γενικές υποδείξεις για την ασφάλεια για ηλεκτρικά εργαλεία

**⚠ ΠΡΟΕΙΔΟΠΟΙΗΣΗ** Διαβάστε όλες τις υποδείξεις ασφαλείας, τις οδηγίες, τις εικόνες και τα τεχνικά χαρακτηριστικά τα οποία υπάρχουν σε αυτό το ηλεκτρικό εργαλείο. Η παράβλεψη των ακόλουθων οδηγιών μπορεί να προκαλέσει ηλεκτροπληξία, πυρκαγιά και/ή σοβαρούς τραυματισμούς.

**Φυλάξτε όλες τις υποδείξεις για την ασφάλεια και τις οδηγίες για μελλοντική χρήση.**

Ο όρος "ηλεκτρικό εργαλείο" που χρησιμοποιείται στις υποδείξεις για την ασφάλεια αναφέρεται σε ηλεκτρικά εργαλεία που λειτουργούν συνδεδεμένα τα στο ηλεκτρικό δίκτυο (με καλώδιο τροφοδοσίας) και σε ηλεκτρικά εργαλεία που λειτουργούν με επαναφορτιζόμενες μπαταρίες (χωρίς καλώδιο τροφοδοσίας).

#### Ασφάλεια χώρου εργασίας

- ▶ Διατηρείτε το χώρο εργασίας σας καθαρό και με καλό φωτισμό. Η αταξία στο χώρο εργασίας και οι μη φωτισμένες περιοχές μπορεί να οδηγήσουν σε ατυχήματα.
- ▶ Μην εργάζεστε με το ηλεκτρικό εργαλείο σε περιβάλλον επικίνδυνο για εκρήξεις, στο οποίο υπάρχουν εύφλεκτα υγρά, αέρια ή σκόνη. Από τα ηλεκτρικά εργαλεία δημιουργούνται σπινθήρες, οι οποίοι μπορεί να αναφλέξουν τη σκόνη ή τις αναθυμιάσεις.
- ▶ Κατά τη χρήση του ηλεκτρικού εργαλείου κρατάτε μακριά τα παιδιά και άλλα πρόσωπα. Εάν σας αποσπάσουν την προσοχή, μπορεί να χάσετε τον έλεγχο του εργαλείου.



**Ηλεκτρική ασφάλεια**

- ▶ Το φως σύνδεσης του ηλεκτρικού εργαλείου πρέπει να ταιριάζει στην πρίζα. Δεν επιτρέπεται σε καμία περίπτωση η μετατροπή του φως. Μη χρησιμοποιείτε αντάπτορες φως μαζί με γειωμένα ηλεκτρικά εργαλεία. Τα φως που δεν έχουν υποστεί μετατροπές και οι κατάλληλες πρίζες μειώνουν τον κίνδυνο ηλεκτροπληξίας.
- ▶ Αποφύγετε την επαφή του σώματος με γειωμένες επιφάνειες, όπως σωλήνες, καλοριφέρ, ηλεκτρικές κουζίνες και ψυγεία. Υπάρχει αυξημένος κίνδυνος ηλεκτροπληξίας, όταν το σώμα σας είναι γειωμένο.
- ▶ Μην εκθέτετε τα ηλεκτρικά εργαλεία σε βροχή ή σε υγρασία. Η εισχώρηση νερού στο ηλεκτρικό εργαλείο αυξάνει τον κίνδυνο ηλεκτροπληξίας.
- ▶ Μην χρησιμοποιείτε το καλώδιο σύνδεσης για να μεταφέρετε ή να αναρτήσετε το ηλεκτρικό εργαλείο ή για να τραβήξετε το φως από την πρίζα. Κρατάτε το καλώδιο σύνδεσης μακριά από υψηλές θερμοκρασίες, λάδια, αιχμηρές ακμές ή κινούμενα μέρη. Τα ελαττωματικά ή τα περιστραμμένα καλώδια σύνδεσης αυξάνουν τον κίνδυνο ηλεκτροπληξίας.
- ▶ Όταν εργάζεστε με το ηλεκτρικό εργαλείο σε υπαίθριους χώρους, χρησιμοποιείτε μόνο καλώδια προέκτασης (μπαλαντέζες), που είναι κατάλληλα για χρήση σε εξωτερικούς χώρους. Η χρήση ενός καλωδίου προέκτασης κατάλληλου για χρήση σε υπαίθριους χώρους μειώνει τον κίνδυνο ηλεκτροπληξίας.
- ▶ Εάν δεν μπορείτε να αποφευχθεί η λειτουργία του ηλεκτρικού εργαλείου σε περιβάλλον με υγρασία, χρησιμοποιήστε αυτόματο ρελέ. Η χρήση ενός αυτόματου ρελέ μειώνει τον κίνδυνο ηλεκτροπληξίας.

**Ασφάλεια προσώπων**

- ▶ Να είσαστε πάντα προσεκτικοί, να προσέχετε τι κάνετε και να εργάζεστε με το ηλεκτρικό εργαλείο με περισκεψη. Μην χρησιμοποιείτε ηλεκτρικά εργαλεία, όταν είστε κουρασμένοι ή όταν βρίσκεστε υπό την επίρρεια ναρκωτικών ουσιών, οινοπνεύματος ή φαρμάκων. Μία στιγμή απροσεξίας κατά τη χρήση του ηλεκτρικού εργαλείου μπορεί να οδηγήσει σε σοβαρούς τραυματισμούς.
- ▶ Φοράτε προσωπικό εξοπλισμό προστασίας και πάντα προστατευτικά γυαλιά. Φορώντας προσωπικό εξοπλισμό προστασίας, όπως μάσκα προστασίας από τη σκόνη, αντισληθικά υποδήματα ασφαλείας, προστατευτικό κράνος ή ωτοασπίδες, ανάλογα με το είδος και τη χρήση του ηλεκτρικού εργαλείου, μειώνεται ο κίνδυνος τραυματισμών.
- ▶ Αποφύγετε την ακούσια θέση σε λειτουργία του εργαλείου. Βεβαιωθείτε ότι είναι απενεργοποιημένο το ηλεκτρικό εργαλείο, πριν το συνδέσετε στην παροχή ρεύματος και/ή πριν τοποθετήσετε την μπαταρία και πριν το μεταφέρετε. Εάν μεταφέροντας το ηλεκτρικό εργαλείο έχετε το δάκτυλό σας στον διακόπτη ή συνδέσετε το εργαλείο στο ρεύμα ενώ ο διακόπτης είναι στο ON, μπορεί να προκληθούν ατυχήματα.
- ▶ Απομακρύνετε τα εργαλεία ρύθμισης ή τα κλειδιά από το ηλεκτρικό εργαλείο, πριν το θέσετε σε λειτουργία. Ένα εργαλείο ή κλειδί που βρίσκεται σε κάποιο περιστρεφόμενο εξάρτημα του ηλεκτρικού εργαλείου, μπορεί να προκαλέσει τραυματισμούς.
- ▶ Αποφύγετε τις αφύσικες στάσεις του σώματος. Φροντίστε για την ασφαλή στήριξη του σώματός σας και διατηρείτε πάντα την ισορροπία σας. Έτσι μπορείτε να ελέγχετε καλύτερα το ηλεκτρικό εργαλείο σε μη αναμενόμενες καταστάσεις.
- ▶ Φοράτε κατάλληλα ρούχα. Μη φοράτε φαρδιά ρούχα ή κοσμήματα. Κρατάτε τα μαλλιά, τα ρούχα και τα γάντια μακριά από περιστρεφόμενα εξαρτήματα. Τα φαρδιά ρούχα, τα κοσμήματα ή τα μακριά μαλλιά μπορεί να παγιδευτούν από περιστρεφόμενα εξαρτήματα.
- ▶ Εάν υπάρχει η δυνατότητα σύνδεσης συστημάτων αναρρόφησης και συλλογής σκόνης, βεβαιωθείτε ότι είναι συνδεδεμένα και ότι χρησιμοποιούνται σωστά. Η χρήση συστήματος αναρρόφησης σκόνης μπορεί να μειώσει τους κινδύνους που προέρχονται από τη σκόνη.
- ▶ Μην εκτιμάτε λάθος την ασφάλεια και μην παραβλέπετε τους κανόνες ασφαλείας για ηλεκτρικά εργαλεία, ακόμη και όταν, μετά από πολλές χρήσεις, έχετε εξοικειωθεί με το ηλεκτρικό εργαλείο. Από απρόσεκτες ενέργειες μπορούν να προκληθούν σοβαροί τραυματισμοί εντός κλάσματος δευτερολέπτου.

**Χρήση και αντιμετώπιση του ηλεκτρικού εργαλείου**

- ▶ Μην υπερφορτίζετε το εργαλείο. Χρησιμοποιείτε για την εργασία σας το ηλεκτρικό εργαλείο που προορίζεται για αυτήν. Με το κατάλληλο ηλεκτρικό εργαλείο εργάζεστε καλύτερα και με μεγαλύτερη ασφάλεια στην αναφερόμενη περιοχή ισχύος.
- ▶ Μην χρησιμοποιείτε ποτέ ένα ηλεκτρικό εργαλείο, ο διακόπτης του οποίου είναι χαλασμένος. Ένα ηλεκτρικό εργαλείο το οποίο δεν μπορεί να τεθεί πλέον σε λειτουργία ή εκτός λειτουργίας είναι επικίνδυνο και πρέπει να επισκευαστεί.
- ▶ Αποσυνδέστε το φως από την πρίζα και/ή απομακρύνετε μια αποσπώμενη μπαταρία πριν διεξάγετε ρυθμίσεις στο εργαλείο, αντικαταστήσετε κάποιο αξεσουάρ ή αποθηκεύσετε το εργαλείο. Αυτό το προληπτικό μέτρο ασφαλείας αποτρέπει την ακούσια εκκίνηση του ηλεκτρικού εργαλείου.





- ▶ Φυλάτε τα ηλεκτρικά εργαλεία που δεν χρησιμοποιείτε μακριά από παιδιά. Μην αφήνετε να χρησιμοποιήσουν το εργαλείο άτομα που δεν είναι εξοικειωμένα με αυτό ή που δεν έχουν διαβάσει αυτές τις οδηγίες χρήσης. Τα ηλεκτρικά εργαλεία είναι επικίνδυνα, όταν χρησιμοποιούνται από άπειρα πρόσωπα.
- ▶ Φροντίζετε σχολαστικά τα ηλεκτρικά εργαλεία και τα αξεσουάρ. Ελέγχετε, εάν τα κινούμενα μέρη λειτουργούν άψογα και δεν μπλοκάρουν, εάν έχουν σπάσει κάποια εξαρτήματα ή έχουν υποστεί τέτοια ζημιά ώστε να επηρεάζονται αρνητικά η λειτουργία του ηλεκτρικού εργαλείου. Δώστε τα χαλασμένα εξαρτήματα για επισκευή πριν χρησιμοποιήσετε ξανά το εργαλείο. Πολλά ατυχήματα οφείλονται σε κακά συντηρημένα ηλεκτρικά εργαλεία.
- ▶ Διατηρείτε τα εξαρτήματα κοπής αιχμηρά και καθαρά. Τα σχολαστικά συντηρημένα εξαρτήματα κοπής με αιχμηρές ακμές κολλάνε σπανιότερα και καθοδηγούνται με μεγαλύτερη ευκολία.
- ▶ Χρησιμοποιείτε το ηλεκτρικό εργαλείο, τα αξεσουάρ, τα εργαλεία ρύθμισης κτλ. σύμφωνα με τις παρούσες οδηγίες. Λαμβάνετε ταυτόχρονα υπόψη τις συνθήκες εργασίας και την προς εκτέλεση εργασία. Η χρήση ηλεκτρικών εργαλείων για εργασίες διαφορετικές από τις προβλεπόμενες μπορεί να οδηγήσει σε επικίνδυνες καταστάσεις.
- ▶ Διατηρείτε τις λαβές και επιφάνειες συγκράτησης στεγνές, καθαρές και απαλλαγμένες από λάδια και γράσα. Οι ολισθηρές λαβές και επιφάνειες συγκράτησης δεν επιτρέπουν ασφαλή χειρισμό και έλεγχο του ηλεκτρικού εργαλείου σε απρόβλεπτες καταστάσεις.

#### Χρήση και αντιμετώπιση του επαναφορτιζόμενου εργαλείου

- ▶ Φορτίζετε τις μπαταρίες μόνο με φορτιστές που προτείνονται από τον κατασκευαστή. Υπάρχει κίνδυνος πυρκαγιάς σε φορτιστές που είναι κατάλληλοι για ένα συγκεκριμένο είδος μπαταριών, όταν χρησιμοποιούνται με άλλες μπαταρίες.
- ▶ Χρησιμοποιείτε μόνο τις προβλεπόμενες για τα ηλεκτρικά εργαλεία επαναφορτιζόμενες μπαταρίες. Η χρήση άλλων μπαταριών μπορεί να προκαλέσει τραυματισμούς και κίνδυνο πυρκαγιάς.
- ▶ Κρατήστε τις μπαταρίες που δεν χρησιμοποιείτε μακριά από συνδετήρες, κέρματα, κλειδιά, καρφιά, βίδες και άλλα μεταλλικά μικροαντικείμενα, που θα μπορούσαν να προκαλέσουν γεφύρωση των επαφών. Ένα βραχυκύκλωμα μεταξύ των επαφών της μπαταρίας μπορεί να έχει ως συνέπεια εγκαύματα ή πυρκαγιά.
- ▶ Σε περίπτωση λανθασμένης χρήσης μπορούν να διαρρεύσουν υγρά από την μπαταρία. Αποφεύγετε κάθε είδους επαφή. Σε περίπτωση ακούσιας επαφής, ξεπλύνετε με νερό. Εάν τα υγρά έρθουν σε επαφή με τα μάτια σας, επισκεφθείτε επιπρόσθετα ένα γιατρό. Τα υγρά της μπαταρίας ενδέχεται να προκαλέσουν ερεθισμούς ή εγκαύματα στο δέρμα.
- ▶ Μην χρησιμοποιείτε μπαταρίες που έχουν υποστεί ζημιά ή έχουν υποστεί μετατροπές. Οι μπαταρίες που έχουν υποστεί ζημιά ή μετατροπές μπορεί να συμπεριφερθούν απρόβλεπτα και να προκαλέσουν φωτιά, έκρηξη ή κίνδυνο τραυματισμού.
- ▶ Μην εκθέτετε την μπαταρία σε φωτιά ή σε πολύ υψηλές θερμοκρασίες. Η φωτιά ή ο θερμοκρασία άνω των 130 °C (265 °F) μπορεί να προκαλέσει έκρηξη.
- ▶ Ακολουθήστε όλες τις οδηγίες για τη φόρτιση και μην φορτίζετε την μπαταρία ή το επαναφορτιζόμενο εργαλείο ποτέ εκτός του εύρους θερμοκρασιών που αναφέρεται στο παρόν εγχειρίδιο οδηγιών χρήσης. Η λανθασμένη φόρτιση ή η φόρτιση εκτός του επιτρεπόμενου εύρους θερμοκρασίας μπορεί να καταστρέψει την μπαταρία και να αυξήσει τον κίνδυνο πυρκαγιάς.

#### Σέρβις

- ▶ Αναθέτετε την επισκευή του ηλεκτρικού εργαλείου μόνο σε κατάλληλο εξειδικευμένο προσωπικό με χρήση μόνο γνήσιων ανταλλακτικών. Με αυτόν τον τρόπο διασφαλίζεται ότι θα διατηρηθεί η ασφάλεια του εργαλείου.
- ▶ Μην συντηρείτε ποτέ μπαταρίες που έχουν υποστεί ζημιά. Κάθε συντήρηση μπαταριών θα πρέπει να πραγματοποιείται μόνο από τον κατασκευαστή ή από εξουσιοδοτημένα σέρβις.

## 2.2 Υποδείξεις ασφαλείας για δρόπανα

### Υποδείξεις ασφαλείας για όλες τις εργασίες

- ▶ Φοράτε ωτασπίδες κατά την κρουστική διάτρηση. Η επίδραση του θορύβου μπορεί να προκαλέσει απώλεια ακοής.
- ▶ Χρησιμοποιήστε την πρόσθετη χειρολαβή. Η απώλεια του ελέγχου μπορεί να προκαλέσει τραυματισμούς.
- ▶ Κρατάτε το ηλεκτρικό εργαλείο από τις μονωμένες επιφάνειες συγκράτησης, όταν εκτελείτε εργασίες κατά τις οποίες το εξάρτημα που χρησιμοποιείτε ή οι βίδες ενδέχεται να έρθουν σε επαφή με καλυμμένα ηλεκτρικά καλώδια. Η επαφή με καλώδιο που βρίσκεται υπό τάση μπορεί να θέσει υπό τάση ακόμη και τα μεταλλικά μέρη του εργαλείου και να προκαλέσει ηλεκτροπληξία.



**Υποδείξεις ασφαλείας σε περίπτωση χρήσης τρυπανιών μεγάλου μήκους**

- ▶ **Μην εργάζεστε σε καμία περίπτωση με υψηλότερο αριθμό στροφών από τον μέγιστο επιτρεπόμενο αριθμό στροφών για το τρυπάνι.** Σε υψηλότερους αριθμούς στροφών μπορεί να λυγίσει ελαφρώς το τρυπάνι, όταν μπορεί να περιστραφεί ελεύθερα χωρίς επαφή με το κατεργαζόμενο αντικείμενο και να προκληθούν τραυματισμοί.
- ▶ **Αρχίστε τη διαδικασία διάτρησης πάντα με χαμηλό αριθμό στροφών και ενώ το τρυπάνι είναι σε επαφή με το κατεργαζόμενο αντικείμενο.** Σε υψηλότερους αριθμούς στροφών μπορεί να λυγίσει ελαφρώς το τρυπάνι, όταν μπορεί να περιστραφεί ελεύθερα χωρίς επαφή με το κατεργαζόμενο αντικείμενο και να προκληθούν τραυματισμοί.
- ▶ **Μην ασκείτε υπερβολική πίεση και μόνο σε διαμήκη κατεύθυνση προς το τρυπάνι.** Τα τρυπάνια μπορούν να λυγίσουν και επομένως να σπάσουν ή να προκαλέσουν απώλεια του ελέγχου και τραυματισμούς.

**2.3 Πρόσθετες υποδείξεις για την ασφάλεια για κατασβίδια**

- ▶ Χρησιμοποιείτε το προϊόν και τα αξεσουάρ μόνο σε τεχνικά άψογη κατάσταση.
- ▶ Μην πραγματοποιείτε ποτέ παραποιήσεις ή μετατροπές στο προϊόν ή σε αξεσουάρ.
- ▶ Ελέγξτε την περιοχή εργασίας πριν από την έναρξη της εργασίας για καλυμμένα ηλεκτρικά καλώδια, σωλήνες αερίου και ύδρευσης. Από εξωτερικά μεταλλικά μέρη στο προϊόν μπορεί να προκληθεί ηλεκτροπληξία, ή έκρηξη, εάν κατά λάθος προκαλέσετε ζημιά σε ηλεκτρικό καλώδιο, σε σωλήνα αερίου ή σωλήνα νερού.
- ▶ Η σκόνη, η οποία σχηματίζεται κατά τη λείανση, το γυαλοχαρτάρισμα, την κοπή και τη διάτρηση ενδέχεται να περιέχει επικίνδυνες χημικές ουσίες. Ορισμένα παραδείγματα είναι: Μόλυβδος ή χρώματα με βάση μόλυβδο, Τούβλα, μπετόν και άλλα προϊόντα τοιχοποιίας, φυσικές πέτρες και άλλα προϊόντα που περιέχουν πυρίτιο, Συγκεκριμένα ξύλα, όπως δρυς, οξιά και χημικά επεξεργασμένα ξύλα, Αμιάντος ή υλικά που περιέχουν αμίαντο. Προσδιορίστε την έκθεση του χειριστή και των παρακείμενων προσώπων από την κατηγορία κινδύνου των υλικών, με τα οποία εργάζεστε. Λάβετε τα αναγκαία μέτρα για τη διατήρηση της έκθεσης σε ένα ασφαλές επίπεδο, όπως π.χ. χρησιμοποιώντας ένα σύστημα συλλογής σκόνης ή μια κατάλληλη μάσκα προστασίας της αναπνοής. Στα γενικά μέτρα για τη μείωση της έκθεσης ανήκουν τα εξής:
  - ▶ Εργασία σε μια περιοχή με καλό αερισμό,
  - ▶ Αποφυγή παρατεταμένης επαφής με σκόνη,
  - ▶ Καθοδήγηση σκόνης μακριά από το πρόσωπο και το σώμα,
  - ▶ Χρήση προστατευτικής ένδυσης και πλύσιμο των εκτεθειμένων περιοχών με νερό και σαπούνι.
- ▶ Κίνδυνος τραυματισμού από πτώση εξαρτημάτων ή/και αξεσουάρ. Ελέγχετε πριν από την έναρξη της εργασίας, ότι η επαναφορτιζόμενη μπαταρία και τα τοποθετημένα αξεσουάρ είναι στερεωμένα με ασφάλεια.
- ▶ Στις εργασίες διαμετρικής διάτρησης απομονώστε την περιοχή που βρίσκεται πίσω από το σημείο που εργάζεστε. Μπορεί να πέσουν κομμάτια και να τραυματίσουν άλλα άτομα.
  - ▶ Σε μια ξαφνική διαμετρική διάτρηση μπορεί το προϊόν να σας κάνει να χάσετε την ισορροπία σας. Φροντίστε για καλή ευστάθεια και ισορροπία όταν εκτελείτε εργασίες διαμετρικής διάτρησης σε τοίχους ή οροφές.
- ▶ Μην χρησιμοποιείτε φθαρμένες μύτες.
- ▶ Χρησιμοποιείτε τις πρόσθετες χειρολαβές που παραλάβατε μαζί με το προϊόν. Η απώλεια του ελέγχου μπορεί να προκαλέσει τραυματισμούς. Βεβαιωθείτε ότι εφαρμόζει καλά η πρόσθετη χειρολαβή και είναι καλά στερεωμένη.
- ▶ Θέστε το προϊόν σε λειτουργία μόνο, όταν το έχετε φέρει σε θέση εργασίας.
- ▶ Συγκρατείτε το προϊόν πάντα και με τα δύο χέρια από τις προβλεπόμενες χειρολαβές. Διατηρείτε τις χειρολαβές στεγνές και καθαρές.
- ▶ Διατηρείτε πάντα ελεύθερες τις σχισμές αερισμού. Κίνδυνος εγκαύματος από καλυμμένες σχισμές αερισμού!
- ▶ Αποφύγετε να ακουμπάτε περιστρεφόμενα εξαρτήματα - Κίνδυνος τραυματισμού!
- ▶ Φοράτε κατά τη χρήση του προϊόντος προστατευτικά γυαλιά, προστατευτικό κράνος, ωτοασπίδες και κατάλληλη μάσκα προστασίας της αναπνοής.
- ▶ Χρησιμοποιείτε προστατευτικά γυαλιά. Τα θραύσματα του υλικού μπορεί να προκαλέσουν τραυματισμούς στο σώμα και στα μάτια.
- ▶ Μην κοιτάτε κατευθείαν στον φωτισμό (LED) του προϊόντος και μην φωτίζετε το πρόσωπο άλλων. Υπάρχει κίνδυνος θάμβωσης.



- ▶ Κάνετε συχνά διαλείμματα και ασκήσεις για καλύτερη αιμάτωση των δακτύλων σας. Σε παρατεταμένη εργασία ενδέχεται να προκληθούν από έντονους κραδασμούς προβλήματα σε αιμοφόρα αγγεία ή στο νευρικό σύστημα στα δάχτυλα, στα χέρια ή στις αρθρώσεις των χεριών.
- ▶ Περιμένετε μέχρι να σταματήσει το προϊόν, πριν το αποθέσετε.
- ▶ Φοράτε προστατευτικά γάντια κατά την αντικατάσταση εξαρτημάτων. Η επαφή με το εξάρτημα μπορεί να προκαλέσει τραυματισμό από κοπή και εγκαύματα.

## 2.4 Επιμέλεις χειρισμός και χρήση επαναφορτιζόμενων μπαταριών

- ▶ Προσέξτε τις ακόλουθες υποδείξεις ασφαλείας για τον ασφαλή χειρισμό και τη χρήση επαναφορτιζόμενων μπαταριών Li-Ion. Από τυχόν παράβλεψη μπορεί να προκληθούν δερματικοί ερεθισμοί, σοβαροί διαβρωτικοί τραυματισμοί, χημικά εγκαύματα, φωτιά ή/και εκρήξεις.
- ▶ Χρησιμοποιείτε επαναφορτιζόμενες μπαταρίες μόνο σε τεχνικά άψογη κατάσταση.
- ▶ Χειρίζεστε σχολαστικά τις επαναφορτιζόμενες μπαταρίες, για να αποφύγετε ζημιές και την έξοδο υγρών πολύ επιβλαβών για την υγεία σας!
- ▶ Δεν επιτρέπεται σε καμία περίπτωση η μετατροπή ή η παραποίηση των επαναφορτιζόμενων μπαταριών!
- ▶ Δεν επιτρέπεται να αποσυναρμολογείτε, να συμπιέζετε, να θερμαίνετε πάνω από τους 80°C (176°F) ή να καίτε τις επαναφορτιζόμενες μπαταρίες.
- ▶ Μην χρησιμοποιείτε ή φορτίζετε επαναφορτιζόμενες μπαταρίες, οι οποίες έχουν δεχτεί χτύπημα ή έχουν υποστεί ζημιά με διαφορετικό τρόπο. Ελέγχετε τακτικά τις επαναφορτιζόμενες μπαταρίες για σημάδια ζημιάς.
- ▶ Μην χρησιμοποιείτε ποτέ ανακυκλωμένες ή επισκευασμένες επαναφορτιζόμενες μπαταρίες.
- ▶ Μην χρησιμοποιείτε την επαναφορτιζόμενη μπαταρία ή ένα επαναφορτιζόμενο ηλεκτρικό εργαλείο ποτέ ως κρουστικό εργαλείο.
- ▶ Μην εκθέτετε ποτέ τις επαναφορτιζόμενες μπαταρίες σε άμεση ηλιακή ακτινοβολία, αυξημένη θερμοκρασία, σπινθήρες ή γυμνές φλόγες. Μπορεί να προκληθούν εκρήξεις.
- ▶ Μην ακουμπάτε τους πόλους της μπαταρίας με τα δάχτυλα, με εργαλεία, κοσμήματα ή άλλα ηλεκτρικά αγωγίμα αντικείμενα. Έτσι μπορεί να προκληθεί ζημιά στην επαναφορτιζόμενη μπαταρία, καθώς και υλικές ζημιές και τραυματισμοί.
- ▶ Κρατάτε τις επαναφορτιζόμενες μπαταρίες μακριά από βροχή, υγρασία και υγρά. Η εισχώρηση υγρασίας μπορεί να προκαλέσει βραχυκυκλώματα, ηλεκτροπληξία, εγκαύματα, φωτιά και εκρήξεις.
- ▶ Χρησιμοποιείτε μόνο τους φορτιστές και τα ηλεκτρικά εργαλεία που προβλέπονται για αυτόν τον τύπο μπαταρίας. Προσέξτε σχετικά τα στοιχεία στις αντίστοιχες οδηγίες χρήσης.
- ▶ Μην χρησιμοποιείτε ή αποθηκεύετε την επαναφορτιζόμενη μπαταρία σε εκρήξιμα περιβάλλοντα.
- ▶ Εάν η μπαταρία καίει υπερβολικά όταν την ακουμπάτε, ενδέχεται να έχει υποστεί ζημιά. Τοποθετήστε την μπαταρία σε ένα σημείο στο οποίο έχετε ορατότητα, μη εύφλεκτο και με επαρκή απόσταση από εύφλεκτα υλικά. Αφήστε την επαναφορτιζόμενη μπαταρία να κρυώσει. Εάν η μπαταρία εξακολουθεί να καίει υπερβολικά μετά από μία ώρα όταν την ακουμπάτε, τότε έχει υποστεί ζημιά. Απευθυνθείτε στο σέρβις της **Hilti** ή διαβάστε το έγγραφο "Υποδείξεις για την ασφάλεια και τη χρήση για επαναφορτιζόμενες μπαταρίες Li-Ion **Hilti**".



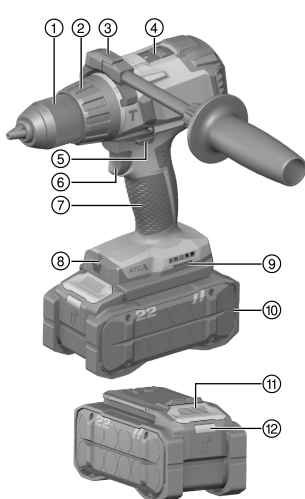
Προσέξτε τις ειδικές οδηγίες που ισχύουν για τη μεταφορά, την αποθήκευση και τη χρήση επαναφορτιζόμενων μπαταριών ιόντων λιθίου. → σελίδα 108

Διαβάστε τις υποδείξεις για την ασφάλεια και τη χρήση για επαναφορτιζόμενες μπαταρίες Li-Ion **Hilti**, τις οποίες θα βρείτε σαρώνοντας τον κωδικό QR στο τέλος αυτών των οδηγιών χρήσης.



### 3 Περιγραφή

#### 3.1 Συνοπτική παρουσίαση προϊόντος



- ① Ταχυσόκ
- ② Δακτύλιος ρύθμισης για ροπή και λειτουργία
- ③ Πλαϊνή χειρολαβή
- ④ Διακόπτης επιλογής ταχυτήτων
- ⑤ Διακόπτης εναλλαγής δεξιόστροφης/αριστερόστροφης λειτουργίας με ασφάλεια μεταφοράς
- ⑥ Διακόπτης ελέγχου με ηλεκτρονική ρύθμιση στροφών
- ⑦ Χειρολαβή
- ⑧ Φωτισμός χώρου εργασίας (LED)
- ⑨ Άνοιγμα τοποθέτησης για αξεσουάρ
- ⑩ Επαναφορτιζόμενη μπαταρία
- ⑪ Πλήκτρο απασφάλισης επαναφορτιζόμενης μπαταρίας
- ⑫ Ενδειξη κατάστασης μπαταρίας

#### 3.2 Κατάλληλη χρήση

Το προϊόν που περιγράφεται είναι ένα επαναφορτιζόμενο δραπενοκατάρτιδο καθοδηγούμενο με το χέρι. Προορίζεται για το βίδωμα και ξεβίδωμα βιδών καθώς και για διάτρηση σε χάλυβα, ξύλο και πλαστικό, πορτοπετόν και τοιχοποιία.

- Χρησιμοποιείτε για αυτό το προϊόν μόνο επαναφορτιζόμενες μπαταρίες Nuron Li-Ion **Hilti** της σειράς τύπου B 22. Για την ιδανική ισχύ, η **Hilti** προτείνει για αυτό το προϊόν μόνο τις επαναφορτιζόμενες μπαταρίες που αναφέρονται στον πίνακα στο τέλος αυτών των οδηγιών χρήσης.
- Χρησιμοποιείτε για αυτές τις επαναφορτιζόμενες μπαταρίες μόνο φορτιστές **Hilti** των σειρών τύπου που αναφέρονται στον πίνακα στο τέλος αυτών των οδηγιών χρήσης.

#### 3.3 ATC

Το προϊόν είναι εξοπλισμένο με την ηλεκτρονική γρήγορη απενεργοποίηση ATC (Active Torque Control). Εάν μπλοκάρει ή κολλάει το εξάρτημα, το προϊόν περιστρέφεται ξαφνικά ανεξέλεγκτα προς την αντίθετη κατεύθυνση. Η λειτουργία ATC αναγνωρίζει αυτή την ξαφνική περιστροφική κίνηση του προϊόντος και απενεργοποιεί αμέσως το προϊόν.



Για τη σωστή λειτουργία πρέπει να μπορεί να περιστρέφεται το προϊόν.

Μετά από μια γρήγορη απενεργοποίηση, απενεργοποιήστε και ενεργοποιήστε ξανά το προϊόν.

#### 3.4 Ένδειξη υπερφόρτωσης και υπερθέρμανσης

Το προϊόν είναι εξοπλισμένο με ηλεκτρονική προστασία υπερφόρτωσης και υπερθέρμανσης. Σε περίπτωση υπερφόρτωσης ή υπερθέρμανσης, το προϊόν απενεργοποιείται αυτόματα. Εάν αφήσετε ελεύθερο τον διακόπτη ελέγχου και τον πατήσετε ξανά, μπορεί να παρουσιαστούν καθυστερήσεις στην ενεργοποίηση (ενδιάμεσα στάδια για να κρυώσει το προϊόν).

#### 3.5 Ενδείξεις της επαναφορτιζόμενης μπαταρίας Li-Ion

Στις επαναφορτιζόμενες μπαταρίες Li-Ion **Hilti** Nuron υπάρχει η δυνατότητα προβολής της κατάστασης φόρτισης, μηνυμάτων σφάλματος και της κατάστασης της επαναφορτιζόμενης μπαταρίας.



### 3.5.1 Ενδείξεις για κατάσταση φόρτισης και μηνύματα σφάλματος

#### ΠΡΟΕΙΔΟΠΟΙΗΣΗ

#### Κίνδυνος τραυματισμού από πτώση της μπαταρίας!

- ▶ Όταν είναι τοποθετημένη η επαναφορτιζόμενη μπαταρία, βεβαιωθείτε αφού πατήσετε το πλήκτρο απασφάλισης, ότι θα κουμπώσετε ξανά καλά την επαναφορτιζόμενη μπαταρία στο προϊόν που χρησιμοποιείτε.

Για να δείτε κάποια από τις ακόλουθες ενδείξεις, πατήστε σύντομα το πλήκτρο απασφάλισης της επαναφορτιζόμενης μπαταρίας.

Η κατάσταση φόρτισης καθώς και οι πιθανές βλάβες εμφανίζονται επίσης μόνιμα, όσο είναι ενεργοποιημένο το συνδεδεμένο προϊόν.

| Κατάσταση                               | Σημασία  |
|---|--|
| Τέσσερα (4) LED ανάβουν μόνιμα πράσινα  | Κατάσταση φόρτισης: 100 % έως 71 %   |
| Τρία (3) LED ανάβουν μόνιμα πράσινα     | Κατάσταση φόρτισης: 70 % έως 51 %  |
| Δύο (2) LED ανάβουν μόνιμα πράσινα      | Κατάσταση φόρτισης: 50 % έως 26 %  |
| Ένα (1) LED ανάβει μόνιμα πράσινο       | Κατάσταση φόρτισης: 25 % έως 10 %  |
| Ένα (1) LED αναβοσβήνει αργά πράσινο    | Κατάσταση φόρτισης: < 10 %   |
| Ένα (1) LED αναβοσβήνει γρήγορα πράσινο | Η επαναφορτιζόμενη μπαταρία Li-Ion είναι τελείως αποφορτισμένη. Φορτίστε την επαναφορτιζόμενη μπαταρία.<br>Εάν το LED εξακολουθεί να αναβοσβήνει γρήγορα μετά τη φόρτιση της επαναφορτιζόμενης μπαταρίας, απευθυνθείτε στο σέρβις της <b>Hilti</b> .   |
| Ένα (1) LED αναβοσβήνει γρήγορα κίτρινο | Η επαναφορτιζόμενη μπαταρία Li-Ion ή το συνδεδεμένο με αυτή προϊόν έχουν υπερφορτωθεί, έχουν πολύ υψηλή ή πολύ χαμηλή θερμοκρασία ή υπάρχει κάποια άλλη βλάβη.<br>Φέρτε το προϊόν και την επαναφορτιζόμενη μπαταρία στην προτεινόμενη θερμοκρασία λειτουργίας και μην υπερκαταπονείτε το προϊόν κατά τη χρήση του.<br>Εάν εξακολουθεί να υπάρχει το μήνυμα, απευθυνθείτε στο σέρβις της <b>Hilti</b> . |
| Ένα (1) LED ανάβει κίτρινο              | Η επαναφορτιζόμενη μπαταρία Li-Ion και το συνδεδεμένο με αυτή προϊόν δεν είναι συμβατά. Απευθυνθείτε στο σέρβις της <b>Hilti</b> .   |
| Ένα (1) LED αναβοσβήνει γρήγορα κόκκινο | Η επαναφορτιζόμενη μπαταρία Li-Ion είναι κλειδωμένη και δεν μπορεί να χρησιμοποιηθεί άλλο. Απευθυνθείτε στο σέρβις της <b>Hilti</b> .  |

### 3.5.2 Ενδείξεις για την κατάσταση της επαναφορτιζόμενης μπαταρίας

Για να ελέγξετε την κατάσταση της επαναφορτιζόμενης μπαταρίας, κρατήστε πατημένο το πλήκτρο απασφάλισης για περισσότερα από τρία δευτερόλεπτα. Το σύστημα δεν αναγνωρίζει μια πιθανή δυσλειτουργία της μπαταρίας λόγω κακής χρήσης, όπως π.χ. πτώση, τρυπήματα, εξωτερικές ζημιές από υψηλή θερμοκρασία κτλ.

| Κατάσταση   | Σημασία  |
|---|--|
| Όλα τα LED ανάβουν κυλιόμενα και στη συνέχεια το ένα (1) LED ανάβει μόνιμα πράσινο.       | Είναι δυνατή η συνέχιση της χρήσης της επαναφορτιζόμενης μπαταρίας.  |
| Όλα τα LED ανάβουν κυλιόμενα και στη συνέχεια το ένα (1) LED αναβοσβήνει γρήγορα κίτρινο. | Δεν ήταν δυνατή η ολοκλήρωση του ελέγχου για την κατάσταση της επαναφορτιζόμενης μπαταρίας. Επαναλάβετε τη διαδικασία ή απευθυνθείτε στο σέρβις της <b>Hilti</b> . |



| Κατάσταση   | Σημασία  |
|---|--|
| Όλα τα LED ανάβουν κυλιόμενα και στη συνέχεια το ένα (1) LED ανάβει μόνιμα κόκκινο. | Εάν εξακολουθεί να μπορεί να χρησιμοποιηθεί ένα συνδεδεμένο προϊόν, η υπολειπόμενη χωρητικότητα της μπαταρίας είναι κάτω από 50%.<br>Εάν δεν μπορεί να χρησιμοποιηθεί πλέον ένα συνδεδεμένο προϊόν, η επαναφορτιζόμενη μπαταρία έχει φτάσει στο τέλος της διάρκειας ζωής της και θα πρέπει να αντικατασταθεί. Απευθυνθείτε στο σέρβις της <b>Hilti</b> . |

### 3.6 Έκταση παράδοσης

Δραπανοκατάβιδο, πλαϊνή χειρολαβή, οδηγίες χρήσης.

Περισσότερα, εγκεκριμένα για το προϊόν σας συστήματα θα βρείτε στο **Hilti Store** ή online στη διεύθυνση: [www.hilti.group](http://www.hilti.group)

## 4 Τεχνικά χαρακτηριστικά

|  | SF 6-22              | SF 6H-22             |
|--|----------------------|----------------------|
| Όνομαστική τάση  | 21,6 V <sub>DC</sub> | 21,6 V <sub>DC</sub> |
| Βάρος κατά EPTA Procedure 01 χωρίς επαναφορτιζόμενη μπαταρία | 2,0 kg               | 2,0 kg               |
| Αριθμός στροφών  | 1η ταχύτητα          | 0/min ... 490/min    |
|  | 2η ταχύτητα          | 0/min ... 2.000/min  |
| Ροπή (εύκολη βίδα) $\frac{1}{2}$                             | ≤ 65 Nm              | ≤ 65 Nm              |
| Αριθμός κρούσεων   | */*                  | 36.000/min           |
| Θερμοκρασία περιβάλλοντος κατά τη λειτουργία                 | -17 °C ... 60 °C     | -17 °C ... 60 °C     |
| Θερμοκρασία αποθήκευσης                                      | -20 °C ... 70 °C     | -20 °C ... 70 °C     |

### 4.1 Επαναφορτιζόμενη μπαταρία

|  |  |
|--|--|
| Τάση λειτουργίας επαναφορτιζόμενης μπαταρίας | 21,6 V                                   |
| Βάρος επαναφορτιζόμενης μπαταρίας            | Βλέπε στο τέλος αυτών των οδηγιών χρήσης |
| Θερμοκρασία περιβάλλοντος κατά τη λειτουργία | -17 °C ... 60 °C                         |
| Θερμοκρασία αποθήκευσης                      | -20 °C ... 40 °C                         |
| Θερμοκρασία μπαταρίας στην έναρξη φόρτισης   | -10 °C ... 45 °C                         |

### 4.2 Επιτρεπόμενη διάμετρος για εξαρτήματα

|  | SF 6-22          | SF 6H-22         |
|--|------------------|------------------|
| Ø Εύρος έκτασης ταχυσόκ                        | 1,5 mm ... 13 mm | 1,5 mm ... 13 mm |
| Ø Τρυπάνι ξύλου (σκληρό)                       | 1,5 mm ... 20 mm | 1,5 mm ... 20 mm |
| Ø Τρυπάνι ξύλου (μαλακό)                       | 1,5 mm ... 32 mm | 1,5 mm ... 32 mm |
| Ø Τρυπάνι μέταλλου                             | 1,5 mm ... 13 mm | 1,5 mm ... 13 mm |
| Ø Διάτρηση σε μετόν/τοιχο (κρουστική διάτρηση) | */*              | 4 mm ... 12 mm   |

### 4.3 Πληροφορίες θορύβου και τιμές κραδασμών κατά EN 62841

Οι αναφερόμενες στις παρούσες οδηγίες τιμές ηχητικής πίεσης και κραδασμών έχουν μετρηθεί σύμφωνα με μια τυποποιημένη μέθοδο μέτρησης και μπορούν να χρησιμοποιηθούν για τη σύγκριση μεταξύ ηλεκτρικών εργαλείων. Είναι επίσης κατάλληλες για πρόχειρη εκτίμηση των εκθέσεων.

Τα αναφερόμενα στοιχεία αντιπροσωπεύουν τις κύριες εφαρμογές του ηλεκτρικού εργαλείου. Εάν ωστόσο το ηλεκτρικό εργαλείο χρησιμοποιηθεί σε άλλες εφαρμογές, με διαφορετικά εξαρτήματα ή με ελλιπή



συντήρηση, ενδέχεται να διαφέρουν τα στοιχεία. Το γεγονός αυτό μπορεί να αυξήσει σημαντικά τις εκθέσεις σε όλη τη διάρκεια του χρόνου εργασίας.

Για μια ακριβή εκτίμηση της έκθεσης θα πρέπει να συνυπολογίζονται και οι χρόνοι, στους οποίους είναι απενεργοποιημένο το εργαλείο ή λειτουργεί μεν, αλλά δεν χρησιμοποιείται πραγματικά. Το γεγονός αυτό μπορεί να μειώσει σημαντικά τις εκθέσεις σε όλη τη διάρκεια του χρόνου εργασίας.

Καθορίστε πρόσθετα μέτρα ασφαλείας για την προστασία του χρήστη από την επίδραση του θορύβου και/ή των κραδασμών, όπως για παράδειγμα: Συντήρηση ηλεκτρικού εργαλείου και εξαρτημάτων, διατήρηση χειρών σε κανονική θερμοκρασία, οργάνωση των σταδίων εργασίας.

#### Τιμές εκπομπής θορύβου

|  | SF 6-22    | SF 6H-22    |
|--|------------|-------------|
| Επίπεδο ηχητικής πίεσης ( $L_{pA}$ )             | 74,5 dB(A) | 94,5 dB(A)  |
| Ανακρίβεια επιπέδου ηχητικής πίεσης ( $K_{pA}$ ) | 5 dB(A)    | 5 dB(A)     |
| Επίπεδο στάθμης ήχου ( $L_{WA}$ )                | 85,5 dB(A) | 105,5 dB(A) |
| Ανακρίβεια επιπέδου στάθμης ήχου ( $K_{WA}$ )    | 5 dB(A)    | 5 dB(A)     |

#### Συνολικές τιμές κραδασμών

|  |          | SF 6-22              | SF 6H-22              |
|--|----------|----------------------|-----------------------|
| Τιμή κραδασμών για διάτρηση σε μέταλλο ( $a_{h,D}$ )           | B 22-85  | 1,0 m/s <sup>2</sup> | 1,2 m/s <sup>2</sup>  |
|  | B 22-170 | 0,7 m/s <sup>2</sup> | 1,1 m/s <sup>2</sup>  |
| Ανακρίβεια Διάτρηση σε μέταλλο (K)                             |          | 1,5 m/s <sup>2</sup> | 1,5 m/s <sup>2</sup>  |
| Τιμή κραδασμών για κρουστική διάτρηση σε μπετόν ( $a_{h,IB}$ ) | B 22-85  | */*                  | 11,9 m/s <sup>2</sup> |
|  | B 22-170 | */*                  | 10,6 m/s <sup>2</sup> |
| Ανακρίβεια Κρουστική διάτρηση σε μπετόν (K)                    |          | */*                  | 1,5 m/s <sup>2</sup>  |

## 5 Προετοιμασία εργασίας



### ΠΡΟΕΙΔΟΠΟΙΗΣΗ

**Κίνδυνος τραυματισμού από ακούσια έναρξη λειτουργίας!**

- ▶ Βεβαιωθείτε ότι το σχετικό προϊόν είναι εκτός λειτουργίας, πριν τοποθετήσετε την επαναφορτιζόμενη μπαταρία.
- ▶ Αφαιρέστε την μπαταρία, πριν πραγματοποιήσετε ρυθμίσεις στο εργαλείο ή αντικαταστήσετε αξεσουάρ.

Προσέξτε τις υποδείξεις ασφαλείας και προειδοποίησης στην παρούσα τεκμηρίωση και στο προϊόν.

### 5.1 Φορτίστε την μπαταρία

1. Διαβάστε πριν από τη φόρτιση τις οδηγίες χρήσης του φορτιστή.
2. Βεβαιωθείτε ότι οι επαφές της επαναφορτιζόμενης μπαταρίας και του φορτιστή είναι καθαρές και στεγνές.
3. Φορτίστε την επαναφορτιζόμενη μπαταρία σε έναν εγκεκριμένο φορτιστή. → σελίδα 102

### 5.2 Τοποθέτηση μπαταρίας



### ΠΡΟΕΙΔΟΠΟΙΗΣΗ

**Κίνδυνος τραυματισμού από βραχυκύκλωμα ή πτώση της μπαταρίας!**

- ▶ Βεβαιωθείτε ότι δεν υπάρχουν ξένα αντικείμενα στις επαφές στην μπαταρία και στις επαφές στο προϊόν, πριν τοποθετήσετε την επαναφορτιζόμενη μπαταρία.
- ▶ Βεβαιωθείτε ότι η επαναφορτιζόμενη μπαταρία κουμπώνει πάντα σωστά.

1. Φορτίστε πλήρως την μπαταρία πριν από την πρώτη θέση σε λειτουργία.
2. Εισάγετε την επαναφορτιζόμενη μπαταρία στο προϊόν, μέχρι να κουμπώσει με χαρακτηριστικό ήχο.
3. Βεβαιωθείτε ότι εδράζει καλά η μπαταρία.

### 5.3 Αφαίρεση επαναφορτιζόμενης μπαταρίας

1. Πατήστε το πλήκτρο απασφάλισης της επαναφορτιζόμενης μπαταρίας.
2. Τραβήξτε την μπαταρία από το προϊόν.



## 5.4 Τοποθέτηση πλαϊνής χειρολαβής 2

### ΠΡΟΣΟΧΗ

**Κίνδυνος τραυματισμού!** Απώλεια του ελέγχου του κρουστικού δράπανου.

► Βεβαιωθείτε ότι η πλαϊνή χειρολαβή έχει τοποθετηθεί και στερεωθεί σωστά. Βεβαιωθείτε ότι οι σφιγκτήρες εφαρμόζουν σωστά στις προβλεπόμενες εγκοπές.

1. Περιστρέψτε τη λαβή, για να λύσετε τους σφιγκτήρες της πλαϊνής χειρολαβής.
2. Τοποθετήστε το στήριγμα της πλαϊνής χειρολαβής τελείως στο περίβλημα και ωθήστε τους σφιγκτήρες στις προβλεπόμενες εγκοπές.
3. Περιστρέψτε τη λαβή, για να σφίξετε το στήριγμα της πλαϊνής χειρολαβής.

## 5.5 Τοποθέτηση εξαρτήματος 3

1. Ανοίξτε το ταχυτσόκ.
2. Εισάγετε το εξάρτημα στο τσοκ.
3. Σφίξτε το ταχυτσόκ.
4. Βεβαιωθείτε ότι εδράζει καλά το εξάρτημα.

## 5.6 Ασφάλεια από πτώση

### ΠΡΟΕΙΔΟΠΟΙΗΣΗ

**Κίνδυνος τραυματισμού** από πτώση του εξαρτήματος και/ή αξεσουάρ!

- Χρησιμοποιείτε μόνο το προτεινόμενο για το προϊόν σας κορδόνι συγκράτησης εργαλείων **Hilti**.
- Πριν από τη χρήση, ελέγχετε το σημείο στερέωσης του κορδονιού συγκράτησης εργαλείων για πιθανές ζημιές.
- Μην στερεώνετε κορδόνι συγκράτησης εργαλείων στο άγκιστρο ζώνης. Μην χρησιμοποιείτε ένα άγκιστρο ζώνης για την ανύψωση του προϊόντος.

Προσέξτε τις εθνικές οδηγίες για εργασίες σε ύψος.

Χρησιμοποιείτε ως ασφάλεια πτώσης για αυτό το προϊόν αποκλειστικά και μόνο έναν συνδυασμό από την ασφάλεια πτώσης **Hilti** με το κορδόνι συγκράτησης εργαλείων **Hilti** #2261970.

- Στερεώστε την ασφάλεια πτώσης στα ανοίγματα τοποθέτησης για αξεσουάρ. Ελέγξτε ότι συγκρατείται καλά.
- Στερεώστε ένα καραμπίνερ του κορδονιού συγκράτησης εργαλείων στην ασφάλεια πτώσης και το δεύτερο καραμπίνερ σε μια φέρουσα δομική κατασκευή. Ελέγξτε την ασφαλή στερέωση των δύο καραμπίνερ.

Προσέξτε τις οδηγίες χρήσης της ασφαλείας πτώσης **Hilti** καθώς και του κορδονιού συγκράτησης εργαλείων **Hilti**.

## 6 Χειρισμός

### ΠΡΟΣΟΧΗ

**Κίνδυνος τραυματισμού από εξάρτημα που έχει μπλοκάρει !**

- Βεβαιωθείτε ότι η πλαϊνή χειρολαβή έχει τοποθετηθεί και στερεωθεί σωστά. Συγκρατείτε το προϊόν πάντα και με τα δύο χέρια από τις προβλεπόμενες χειρολαβές.
- Χρησιμοποιείτε προστατευτικά γυαλιά για προστασία από θραύσματα υλικού.

Προσέξτε τις υποδείξεις ασφαλείας και προειδοποίησης στην παρούσα τεκμηρίωση και στο προϊόν.

## 6.1 Επιλογή ταχύτητας 4

- Επιλέξτε την ταχύτητα.





## 6.2 Ρύθμιση δεξιόστροφης/αριστερόστροφης λειτουργίας

- Ρυθμίστε τον διακόπτη εναλλαγής δεξιόστροφης/αριστερόστροφης λειτουργίας σε δεξιόστροφη ή αριστερόστροφη λειτουργία.

## 6.3 Ενεργοποίηση

- Χειριστείτε τον διακόπτη ελέγχου.
  - Το προϊόν αρχίζει να λειτουργεί.



Ανάλογα με το βάθος πίεσης του διακόπτη ελέγχου μπορείτε να ρυθμίσετε αδιαβάθμητα τον αριθμό στροφών.

## 6.4 Βίδωμα

- Ρυθμίστε με τον δακτύλιο ρύθμισης ροπής και λειτουργίας την απαραίτητη ροπή.

## 6.5 Διάτρηση

- Θέστε τον δακτύλιο ρύθμισης για τη ροπή και τη λειτουργία στο .

## 6.6 Κρουστική διάτρηση

- Θέστε τον δακτύλιο ρύθμισης για τη ροπή και τη λειτουργία στο .

## 6.7 Απενεργοποίηση

- Αφήστε ελεύθερο το διακόπτη ελέγχου.
  - Το προϊόν απενεργοποιείται.

## 7 Φροντίδα και συντήρηση



### ΠΡΟΕΙΔΟΠΟΙΗΣΗ

#### Κίνδυνος τραυματισμού από τοποθετημένη μπαταρία !

- Πριν από κάθε εργασία φροντίδας και συντήρησης αφαιρείτε πάντα την μπαταρία!

#### Φροντίδα του προϊόντος

- Απομακρύνετε με προσοχή τους ρύπους που έχουν επικαθίσει.
- Εφόσον υπάρχουν, καθαρίζετε τις σχισμές αερισμού προσεκτικά με μια στεγνή, μαλακή βούρτσα.
- Καθαρίζετε το περίβλημα μόνο με ένα ελαφρώς βρεγμένο πανί. Μην χρησιμοποιείτε υλικά φροντίδας με περιεκτικότητα σε σιλικόνη, διότι ενδέχεται να προσβάλλουν τα πλαστικά μέρη.
- Χρησιμοποιήστε ένα καθαρό, στεγνό πανί, για να καθαρίσετε τις επαφές του προϊόντος.

#### Φροντίδα επαναφορτιζόμενων μπαταριών Li-Ion

- Μην χρησιμοποιείτε ποτέ μια επαναφορτιζόμενη μπαταρία με βουλωμένες σχισμές αερισμού. Καθαρίζετε τις σχισμές αερισμού προσεκτικά με μια στεγνή, μαλακή βούρτσα.
- Αποφύγετε την άσκοπη έκθεση της επαναφορτιζόμενης μπαταρίας σε σκόνη ή ρύπους. Μην εκθέτετε ποτέ την επαναφορτιζόμενη μπαταρία σε μεγάλη υγρασία (π.χ. βύθιση σε νερό ή παραμονή σε βροχή). Εάν έχει βραχεί μια επαναφορτιζόμενη μπαταρία, αντιμετωπίστε την όπως μια μπαταρία που έχει υποστεί ζημιά. Απομονώστε τη σε ένα μη εύφλεκτο δοχείο και απευθυνθείτε στο σέρβις της **Hilti**.
- Διατηρείτε την επαναφορτιζόμενη μπαταρία καθαρή από ξένα λάδια και γράσα. Μην επιτρέπετε να συγκεντρώνονται άσκοπα σκόνης ή ρύποι στην επαναφορτιζόμενη μπαταρία. Καθαρίζετε την επαναφορτιζόμενη μπαταρία με μια στεγνή, μαλακή βούρτσα ή ένα καθαρό, στεγνό πανί. Μην χρησιμοποιείτε υλικά φροντίδας με περιεκτικότητα σε σιλικόνη, διότι ενδέχεται να προσβάλλουν τα πλαστικά μέρη.  
Μην ακουμπάτε τις επαφές της επαναφορτιζόμενης μπαταρίας και μην απομακρύνετε από τις επαφές το εργοστασιακό γράσο.
- Καθαρίζετε το περίβλημα μόνο με ένα ελαφρώς βρεγμένο πανί. Μην χρησιμοποιείτε υλικά φροντίδας με περιεκτικότητα σε σιλικόνη, διότι ενδέχεται να προσβάλλουν τα πλαστικά μέρη.

#### Συντήρηση

- Ελέγχετε τακτικά όλα τα ορατά μέρη για τυχόν ζημιές και την άφθογη λειτουργία όλων των χειριστηρίων.



- Μην χρησιμοποιείτε το προϊόν σε περίπτωση ζημιών ή/και δυσλειτουργιών. Αναθέστε άμεσα την επισκευή του προϊόντος στο σέρβις της **Hilti**.
- Μετά από εργασίες φροντίδας και συντήρησης, τοποθετήστε όλα τα συστήματα προστασίας και ελέγξτε την απρόσκοπτη λειτουργία τους.



Για μια ασφαλή λειτουργία χρησιμοποιείτε μόνο γνήσια ανταλλακτικά και αναλώσιμα. Εγκεκριμένα από τη **Hilti** ανταλλακτικά, αναλώσιμα και αξεσουάρ για το προϊόν σας θα βρείτε στο πλησιέστερο **Hilti Store** ή στη διεύθυνση: [www.hilti.group](http://www.hilti.group)

## 8 Μεταφορά και αποθήκευση επαναφορτιζόμενων εργαλείων και επαναφορτιζόμενων μπαταριών

### Μεταφορά

#### ΠΡΟΣΟΧΗ

#### Ακούσια ενεργοποίηση κατά τη μεταφορά !

- ▶ Μεταφέρετε τα προϊόντα σας πάντα χωρίς τις μπαταρίες τοποθετημένες!
- ▶ Αφαιρέστε την/τις επαναφορτιζόμενες μπαταρίες.
- ▶ Μην μεταφέρετε επαναφορτιζόμενες μπαταρίες ποτέ χύδην. Κατά τη μεταφορά θα πρέπει οι επαναφορτιζόμενες μπαταρίες να προστατεύονται από υπερβολικές κρούσεις και δονήσεις και να απομονώνονται από κάθε είδους αγωγή υλικά ή άλλες επαναφορτιζόμενες μπαταρίες, ώστε να μην έρθουν σε επαφή με άλλους πόλους μπαταριών και προκληθεί βραχυκύκλωμα. **Λάβετε υπόψη τις τοπικές προδιαγραφές μεταφοράς για επαναφορτιζόμενες μπαταρίες.**
- ▶ Δεν επιτρέπεται η αποστολή επαναφορτιζόμενων μπαταριών μέσω ταχυδρομείου. Απευθυνθείτε σε μια μεταφορική εταιρεία, όταν θέλετε να αποστείλετε άθικτες επαναφορτιζόμενες μπαταρίες.
- ▶ Ελέγχετε το προϊόν και τις επαναφορτιζόμενες μπαταρίες για τυχόν ζημιές πριν από κάθε χρήση καθώς και πριν και μετά από μεγαλύτερης διάρκειας μεταφορά.

### Αποθήκευση

#### ΠΡΟΕΙΔΟΠΟΙΗΣΗ

#### Ακούσια πρόκληση ζημιάς από ελαττωματικές μπαταρίες. !

- ▶ Αποθηκεύετε τα προϊόντα σας πάντα χωρίς τις μπαταρίες τοποθετημένες!
- ▶ Αποθηκεύετε τα προϊόν και τις επαναφορτιζόμενες μπαταρίες σε δροσερό και στεγνό χώρο. Προσέξτε τις οριακές τιμές θερμοκρασίας, που αναφέρονται στα τεχνικά χαρακτηριστικά.
- ▶ Μην φυλάτε επαναφορτιζόμενες μπαταρίες πάνω στον φορτιστή. Μετά τη διαδικασία φόρτισης, αφαιρείτε πάντα την επαναφορτιζόμενη μπαταρία από τον φορτιστή.
- ▶ Μην αποθηκεύετε ποτέ τις επαναφορτιζόμενες μπαταρίες στον ήλιο, πάνω σε πηγές θερμότητας ή πίσω από τζάμια.
- ▶ Αποθηκεύετε το προϊόν και τις επαναφορτιζόμενες μπαταρίες σε σημείο στο οποίο δεν έχουν πρόσβαση παιδιά και αναρμόδια άτομα.
- ▶ Ελέγχετε το προϊόν και τις επαναφορτιζόμενες μπαταρίες για τυχόν ζημιές πριν από κάθε χρήση καθώς και πριν και μετά από μεγαλύτερης διάρκειας αποθήκευση.

## 9 Βοήθεια για προβλήματα

Προσέχετε σε όλες τις βλάβες την ένδειξη κατάστασης φόρτισης και σφαλμάτων της επαναφορτιζόμενης μπαταρίας. Βλέπε κεφάλαιο **Ενδείξεις της επαναφορτιζόμενης μπαταρίας Li-Ion**.

Σε βλάβες που δεν αναφέρονται σε αυτόν τον πίνακα ή δεν μπορείτε να αποκαταστήσετε μόνοι σας, απευθυνθείτε στο σέρβις της **Hilti**.

| Βλάβη  | Πιθανή αιτία   | Λύση  |
|--|--|---|
| Το προϊόν δεν λειτουργεί.  | Η μπαταρία δεν έχει τοποθετηθεί σωστά.   | ▶ Τοποθετήστε την επαναφορτιζόμενη μπαταρία. → σελίδα 105   |
| Δεν υπάρχει η δυνατότητα πίεσης του διακόπτη ελέγχου ή έχει μπλοκάρει. | Ο διακόπτης εναλλαγής δεξιόστροφης/αριστερόστροφης λειτουργίας είναι στη μεσαία θέση (θέση μεταφοράς). | ▶ Ρυθμίστε τον διακόπτη εναλλαγής δεξιόστροφης/αριστερόστροφης λειτουργίας σε δεξιόστροφη ή αριστερόστροφη λειτουργία. → σελίδα 107 |



| Βλάβη   | Πιθανή αιτία  | Λύση   |
|---|---|--|
| Έντονη αύξηση θερμοκρασίας στο προϊόν ή στην επαναφορτιζόμενη μπαταρία. | Ηλεκτρική βλάβη   | ► Απενεργοποιήστε αμέσως το προϊόν και αφαιρέστε την επαναφορτιζόμενη μπαταρία. Αφήστε τη να κρυώσει υπό επίβλεψη. Επικοινωνήστε με το σέρβις της <b>Hilti</b> . |
| Τα LED της μπαταρίας δεν δείχνουν τίποτε                                | Μπαταρία ελαττωματική   | ► Απευθυνθείτε στο σέρβις της <b>Hilti</b> .   |
| SF 6H-22<br>Δεν είναι δυνατή η κρουστική διάτρηση.                      | Η λειτουργία στον δακτύλιο ρύθμισης δεν είναι ρυθμισμένη σωστά. | ► Θέστε τον δακτύλιο ρύθμισης στη λειτουργία "Κρουστική διάτρηση" <b>ΣΤ</b> .  |

## 10 Διάθεση στα απορρίμματα



### ΠΡΟΕΙΔΟΠΟΙΗΣΗ

**Κίνδυνος τραυματισμού από ακατάλληλη διάθεση στα απορρίμματα!** Κίνδυνοι για την υγεία από εξερχόμενα αέρια ή υγρά.

- Μην αποστέλλετε επαναφορτιζόμενες μπαταρίες που έχουν υποστεί ζημιά!
- Καλύψτε τις συνδέσεις με ένα μη αγώγιμο υλικό, για να αποφύγετε βραχυκυκλώματα.
- Πετάξτε τις μπαταρίες έτσι ώστε να μην μπορούν να καταλήξουν στα χέρια παιδιών.
- Απορρίψτε την μπαταρία στο **Hilti Store** ή απευθυνθείτε στην αρμόδια επιχείρηση διάθεσης απορριμμάτων.



Τα προϊόντα της **Hilti** είναι κατασκευασμένα σε μεγάλο ποσοστό από ανακυκλώσιμα υλικά. Προϋπόθεση για την ανακύκλωσή τους είναι ο κατάλληλος διαχωρισμός των υλικών. Σε πολλές χώρες, η **Hilti** παραλαμβάνει το παλιό σας εργαλείο για ανακύκλωση. Απευθυνθείτε στο σέρβις της **Hilti** ή στον σύμβουλο πωλήσεων.



- Μην πετάτε τα ηλεκτρικά εργαλεία, της ηλεκτρονικές συσκευές και τις επαναφορτιζόμενες μπαταρίες στον κάδο οικιακών απορριμμάτων!

## 11 Εγγύηση κατασκευαστή

- Για ερωτήσεις σχετικά με τους όρους εγγύησης απευθυνθείτε στον τοπικό συνεργάτη της **Hilti**.

## 12 Περισσότερες πληροφορίες

Περισσότερες πληροφορίες για τον χειρισμό, την τεχνολογία, το περιβάλλον και την ανακύκλωση θα βρείτε στον ακόλουθο σύνδεσμο: [qr.hilti.com/manual/?id=2275217&id=2275219](http://qr.hilti.com/manual/?id=2275217&id=2275219)

Αυτόν τον σύνδεσμο θα τον βρείτε και στο τέλος αυτής της τεκμηρίωσης ως κωδικό QR.

## Original kullanım kılavuzu

### 1 Dokümantasyon verileri

#### 1.1 Bu doküman için

- Çalıştırmadan önce bu dokümanı okuyunuz. Bu, güvenli çalışma ve arızasız kullanım için ön koşuldur.
- Bu dokümanda ve ürün üzerinde bulunan güvenlik ve uyarı bilgilerine dikkat ediniz.
- Kullanım kılavuzunu her zaman ürün üzerinde bulundurunuz ve ürünü sadece bu kılavuz ile birlikte başka kişilere veriniz.

#### 1.2 Resim açıklaması

##### 1.2.1 Uyarı bilgileri

Uyarı bilgileri, ürün ile çalışırken ortaya çıkabilecek tehlikelere karşı uyarr. Aşağıdaki uyarı metinleri kullanılır:



**⚠ TEHLİKE****TEHLİKE !**

- Ağır vücut yaralanmalarına veya doğrudan ölüme sebep olabilecek tehlikeler için.

**⚠ İKAZ****İKAZ !**

- Ağır yaralanmalara veya ölüme neden olabilecek tehlikeler için.

**⚠ DİKKAT****DİKKAT !**

- Vücut yaralanmalarına veya maddi hasarlara yol açabilecek olası tehlikeli durumlar için.

**1.2.2 Kullanım kılavuzundaki semboller**

Bu kullanım kılavuzunda aşağıdaki semboller kullanılmıştır:



Kullanım kılavuzuna dikkat edilmelidir



Kullanım uyarıları ve diğer gerekli bilgiler



Geri dönüşümlü malzemeler ile çalışma



Elektrikli aletleri ve aküleri evdeki çöplere atmayınız



**Hilti** Lityum İyon akü



**Hilti** Şarj cihazı

**1.2.3 Resimlerdeki semboller**

Resimlerde aşağıdaki semboller kullanılmıştır:



Bu sayılar, kullanım kılavuzunun başlangıcındaki ilgili çizime atanmıştır.

3

Numaralandırma, resimdeki çalışma adımlarının sırasını göstermektedir ve metindeki çalışma adımlarından farklı olabilir.



Pozisyon numaraları **Genel bakış** resminde kullanılır ve **Ürüne genel bakış** bölümündeki açıklama numaralarına referans niteliğindedir.



Bu işaret, ürün ile çalışırken dikkatinizi çekmek için koyulmuştur.

**1.3 Ürüne bağlı semboller****1.3.1 İlave semboller**

Aşağıdaki semboller ek olarak bu dokümanda veya üründe kullanılabilir:



Darbesiz delme



Darbe ile delme (darbeli delme)



Ölçüm rölanti devir sayısı



Dakika başına devir



Çap






Sağa/sola doğru çalışma



Doğru akım



|   |  |
|---|--|
| Li-Ion  | Lityum İyon akü  |
|  | Ürün, iOS ve Android platformları ile uyumlu NFC teknolojisini destekler.  |
|  | Aküyü asla darbe aleti olarak kullanmayınız.                               |
|  | Aküyü düşürmeyiniz. Darbe almış veya hasar görmüş bir aküyü kullanmayınız. |

#### 1.4 Ürün bilgileri

**HILTI** ürünleri profesyonel kullanıcıların kullanımı için öngörülmüştür ve sadece yetkili personel tarafından kullanılabilir ve bakımı yapılabilir. Bu personel, meydana gelebilecek tehlikeler hakkında özel olarak eğitim görmüş olmalıdır. Aletin ve ilgili yardımcı gereçlerin eğitimsiz personel tarafından usulüne uygun olmayan şekilde kullanılması ve amaçları dışında çalıştırılması sonucu tehlikeli durumlar söz konusu olabilir. Tip tanımı ve seri numarası, tip plakası üzerinde belirtilmiştir.

► Seri numarasını aşağıdaki tabloya aktarınız. Ürün bilgileri acente veya servis merkezini aradığınızda sorulabilir.

##### Ürün bilgileri

|   |                    |
|---|--------------------|
| Delme/vidalama makinesi   Darbeli vidalama makinesi | SF 6-22   SF 6H-22 |
| Nesil   | 03                 |
| Seri no.  |                    |

#### 1.5 Uygunluk beyanı

Üretici burada tanımlanan ürünün geçerli yasalara ve standartlara uygun olduğunu kendi sorumluluğunda beyan eder. Bu dokümanın sonunda uygunluk beyanının bir kopyasını bulabilirsiniz.

Teknik dokümantasyonlar eklidir:

Hilti Entwicklungsgesellschaft mbH | Zulassung Geräte | Hiltistraße 6 | 86916 Kaufering, DE

## 2 Güvenlik

### 2.1 Elektrikli el aletleri için genel güvenlik uyarıları

**⚠ İKAZ Bu elektrikli el aletine yönelik tüm güvenlik uyarılarını, talimatları, resimli açıklamaları ve teknik verileri dikkatlice okuyunuz.** Aşağıdaki talimatlara uyulmaması durumunda elektrik çarpması, yangın ve/veya ağır yaralanmalar söz konusu olabilir.

**Tüm güvenlik uyarılarını ve kullanım talimatlarını muhafaza ediniz.**

Güvenlik uyarılarında kullanılan "Elektrikli el aleti terimi, şebeke işletimli elektrikli el aletleri (şebeke kablosu ile) veya akü işletimli elektrikli el aletleri (şebeke kablosu olmadan) ile ilgilidir.

#### İş yeri güvenliği

- **Çalışma alanınızı temiz ve aydınlık tutunuz.** Düzensiz veya aydınlatma olmayan çalışma alanları kazalara yol açabilir.
- **Yanıcı sıvıların, gazların veya tozların bulunduğu patlama tehlikesi olan yerlerde elektrikli el aleti ile çalışmayınız.** Elektrikli el aletleri, toz veya buharı yakabilecek kıvılcım oluşturur.
- **Elektrikli el aletini kullanırken çocukları ve diğer kişileri uzak tutunuz.** Dikkatiniz dağılırsa aletin kontrolünü kaybedebilirsiniz.

#### Elektrik güvenliği

- **Elektrikli el aletin bağlantı fişi prize uygun olmalıdır. Fiş hiçbir şekilde değiştirilmemelidir. Adaptör fişini topraklama korumalı elektrikli el aletleri ile birlikte kullanmayınız.** Değiştirilmemiş fişler ve uygun prizler elektrik çarpması riskini azaltır.
- **Borular, radyatörler, fırınlar ve buzdolapları gibi toprağa temas eden üst yüzeylere vücudunuzla temas etmekten kaçınınız.** Vücudunuzun toprakla teması var ise yüksek bir elektrik çarpması riski söz konusudur.
- **Elektrikli el aletini yağmurdan veya ıslaklıktan uzak tutunuz.** Elektrikli el aletine su girmesi, elektrik çarpması riskini artırır.



- ▶ **Elektrikli el aletini taşımak, asmak veya fişi prizden çekmek için bağlantı kablosunu kullanım amacı dışında kullanmayınız.** Bağlantı kablosunu sıcaktan, yağdan, keskin kenarlardan ve hareketli parçalardan uzak tutunuz. Hasarlı veya dolanmış bağlantı kabloları elektrik çarpması riskini artırır.
- ▶ **Elektrikli bir el aleti ile açık alanda çalışacaksanız, sadece dışarda kullanımına izin verilen uzatma kabloları kullanınız.** Dış mekanlar için uygun olan uzatma kablolarının kullanılması elektrik çarpması riskini azaltır.
- ▶ **Elektrikli el aleti işletiminin nemli ortamda yapılması kaçınılmaz ise bir kaçak akım koruma şalteri kullanınız.** Bir kaçak akım koruma şalterinin kullanımı elektrik çarpması riskini azaltır.

#### **Kişilerin güvenliği**

- ▶ **Dikkatli olunuz, ne yaptığınıza dikkat ediniz ve elektrikli el aleti ile mantıklı bir şekilde çalışınız.** Yorgunsanız veya uyuşturucu, alkol veya ilaç etkisi altında olduğunuzda elektrikli el aleti kullanmayınız. Elektrikli el aletini kullanırken bir anlık dikkatsizlik ciddi yaralanmalara neden olabilir.
- ▶ **Kişisel koruyucu donanım ve her zaman bir koruyucu gözlük takınız.** Elektrikli el aletinin türüne ve kullanımına göre toz maskesi, kaymayan güvenlik ayakkabısı, koruyucu kask veya kulaklık gibi kişisel koruyucu donanımların kullanılması yaralanma riskini azaltır.
- ▶ **İstem dışı çalışmayı önleyiniz. Güç kaynağına ve/veya aküyü bağlamadan, girişini yapmadan veya taşımadan önce elektrikli el aletinin kapalı olduğundan emin olunuz.** Elektrikli el aletini taşırken parmağınız şalterde ise veya alet açık konumda güç kaynağına takılırsa bu durum kazalara yol açabilir.
- ▶ **Elektrikli el aletini devreye almadan önce ayar aletlerini veya vidalama anahtarlarını çıkartınız.** Dönen bir alet parçasında bulunan bir alet veya alet veya anahtar yaralanmalara yol açabilir.
- ▶ **Aşırı bir vücut hareketinden sakınınız. Güvenli bir duruş sağlayınız ve her zaman dengeli tutunuz.** Böylece beklenmedik durumlarda elektrikli el aletini daha iyi kontrol edebilirsiniz.
- ▶ **Uygun kıyafetler giyiniz. Bol kıyafetler giymeyiniz veya takı takmayınız. Saçları, kıyafetleri ve eldivenleri hareket eden parçalardan uzak tutunuz.** Bol kıyafetler, takı veya uzun saçlar hareket eden parçalara takılabilir.
- ▶ **Toz emme ve tutma tertibatları monte edilebiliyorsa bunların bağlı olduğundan ve doğru kullanıldığından emin olunuz.** Bu toz emme tertibatının kullanımı tozdan kaynaklanabilecek tehlikeleri azaltabilir.
- ▶ **Kendi güvenliğinizi riske atmayınız ve elektrikli el aletleri kullanımında son derece tecrübeli olsanız bile ilgili güvenlik kurallarını ihlal etmeyiniz.** Dikkatsiz kullanım saniyeler içerisinde ciddi yaralanmalara neden olabilir.

#### **Elektrikli el aletinin kullanımı ve çalıştırılması**

- ▶ **Aleti çok fazla zorlamayın. Çalışmanız için uygun olan elektrikli el aletini kullanın.** Uygun elektrikli el aleti ile bildirilen hizmet alanında daha iyi ve güvenli çalışsınız.
- ▶ **Şalteri bozuk olan elektrikli el aletini kullanmayınız.** Açılıp kapatılmayan bir elektrikli el aleti tehlikelidir ve tamir edilmesi gerekir.
- ▶ **Alet ayarlarını yapmadan, aksesuar parçalarını değiştirmeden veya aleti bir yere koymadan önce fişi prizden ve/veya (çıkarılabilir) aküyü aletten çıkarınız.** Bu önlem, elektrikli el aletinin istem dışı çalışmasını engeller.
- ▶ **Kullanılmayan elektrikli el aletlerini çocukların erişemeyeceği yerde muhafaza edin. Aleti iyi tanımayan veya bu talimatları okumamış kişilere aleti kullanırmayınız.** Elektrikli el aletleri bilgisiz kişiler tarafından kullanılırsa tehlikelidir.
- ▶ **Elektrikli el aletlerinin ve aksesuarlarının bakımını titizlikle yapınız. Hareketli parçaların kusursuz çalıştığı ve sıkıştığı, parçaların kırılıp kırılmadığı veya hasar görüp görmediği, elektrikli el aleti fonksiyonlarının kısıtlanma durumlarını kontrol ediniz. Hasarlı parçaları aleti kullanmadan önce tamir ettiriniz.** Birçok kazanın nedeni bakımı kötü yapılan elektrikli el aletleridir.
- ▶ **Kesme aletlerini keskin ve temiz tutun.** Özenle bakımı yapılmış keskin bıçak kenarı olan kesme aletleri daha az sıkışır ve kullanımı daha rahattır.
- ▶ **Elektrikli el aletini, aksesuarları, ek aletleri vb. bu talimatlara göre kullanın. Çalışma şartlarını ve yapılacak işi de ayrıca göz önünde bulundurun.** Elektrikli el aletlerinin öngörülen kullanımı dışında kullanılması tehlikeli durumlara yol açabilir.
- ▶ **Tutamağı ve tutamak yüzeylerini daima temiz ve yağ ve gresten arındırılmış durumda tutunuz.** Kaygan tutamaklar ve tutamak yüzeyleri güvenli bir kullanımı ve öngörülemeyen durumlarda elektrikli el aletinin kontrolünü engeller.

#### **Akülü el aletinin kullanımı ve çalıştırılması**

- ▶ **Aküleri sadece üretici tarafından tavsiye edilen şarj cihazları ile şarj ediniz.** Belirli bir akü için uygun olan bir şarj cihazı, başka akülerle kullanılırsa yanma tehlikesi vardır.
- ▶ **Elektrikli el aletlerinde sadece bunun için öngörülen aküler kullanılmalıdır.** Başka akülerin kullanılması yaralanmalara ve yanma tehlikelerine yol açabilir.



- **Kullanılmayan aküleri, kontakların köprülenmesine sebep olabilecek ataçlar, madeni paralar, anahtarlar, çiviler, vidalar veya diğer küçük metal cisimlerden uzak tutunuz.** Akü kontakları arasındaki kısa devre yanmalara veya alev oluşumuna sebep olabilir.
- **Yanlış kullanımda aküden sıvı çıkabilir. Bunlar ile teması önleyiniz. Yanlışlıkla temasta su ile durulayınız. Sıvı gözlere temas ederse ayrıca doktor yardımı isteyiniz.** Dışarı akan akü sıvısı cilt tahrişine ve yanmalara yol açabilir.
- **Hasarlı veya değiştirilmiş aküleri kullanmayınız.** Hasarlı veya değiştirilmiş aküler öngörülemez şekilde yangın, patlama veya yaralanma tehlikesi içeren tutumlara neden olabilir.
- **Aküleri açık ateş yakınına koymayınız veya yüksek sıcaklıklara maruz bırakmayınız.** Açık ateş veya 130°C'nin (265°F) üzerinde sıcaklıklar patlama tehlikesine neden olabilir.
- **Tüm şarj talimatlarına uyunuz ve aküyü veya akülü aleti kullanım kılavuzunda öngörülen sıcaklık aralığının dışında şarj etmeyiniz.** Hatalı şarj veya öngörülen sıcaklık aralığının dışındaki şarj işlemleri akünün zarar görmesine ve yangın tehlikesine neden olabilir.

### Servis

- **Elektrikli el aletinizi sadece kalifiye uzman personele ve sadece orijinal yedek parçalar ile tamir ettiriniz.** Böylece aletin güvenliğinin korunduğundan emin olunur.
- **Hasarlı akülere bakım yapmayınız.** Akülere yönelik tüm bakım çalışmaları sadece üretici veya yetkili müşteri hizmetleri tarafından yapılmalıdır.

## 2.2 Matkaplar için güvenlik uyarıları

### Tüm çalışmalara yönelik güvenlik uyarıları

- **Darbeli delme işlemi yaparken kulaklık takınız.** Aşırı sestten dolayı duyma kaybı meydana gelebilir.
- **İlave tutamağı kullanınız.** Kontrol kaybı yaralanmalara yol açabilir.
- **Ek aletin veya civataların gizli elektrik kablolarına temas edebileceği yerlerde çalışıyorsanız elektrikli el aletini izole edilmiş tutamak yüzeyinden tutunuz.** Elektrik ileten bir hat ile temasta metal parçalar da gerilim altında kalır ve elektrik çarpmasına neden olabilir.

### Uzun matkap ucu kullanımına yönelik güvenlik uyarıları

- **Asla matkap ucu için izin verilen devir sayısının üzerinde bir devir sayısı ile çalışmayınız.** Bunun üzerindeki devir sayılarında matkap ucu hafifçe bükülerek iş parçasına temas etmeden serbestçe dönebilir ve yaralanmalara neden olabilir.
- **Delme işlemine her zaman düşük devir sayısı ile başlayınız ve matkap ucunun iş parçasına temas etmesini bekleyiniz.** Bunun üzerindeki devir sayılarında matkap ucu hafifçe bükülerek iş parçasına temas etmeden serbestçe dönebilir ve yaralanmalara neden olabilir.
- **Aşırı baskı uygulamayınız ve sadece matkap ucuna göre uzunlamasına yönde baskı uygulayınız.** Matkap ucu bükülebilir, bu nedenle kırılabilir veya kontrolün kaybedilmesine ve yaralanmalara neden olabilir.

## 2.3 Vidalama makinesi ek güvenlik uyarıları

- Ürün ve aksesuar sadece teknik açıdan sorunsuz durumdayken kullanınız.
- Ürün veya aksesuar üzerinde asla manipülasyon veya değişiklik yapılmamalıdır.
- Çalışmaya başlamadan önce çalışma alanında üzeri örtülü elektrik kablosu, gaz ve su borusu bulunup bulunmadığını kontrol ediniz. Bir elektrik hattına, bir gaz veya su borusuna zarar verilmesi halinde, ürünün dışındaki metal parçalar elektrik çarpmasına veya patlamaya neden olabilir.
- Taşlama, zımparalama, kesme ve delme işlemleri sonucunda oluşan tozlar tehlikeli kimyasallar içerebilir. Bazı örnekler şunlardır: Kurşun temelli kurşun veya boya; Tuğla, beton ve diğer duvar ürünleri, doğal taş ve diğer silikat içeren ürünler; Meşe, kayın gibi belirli ahşaplar ve kimyasal işlem görmüş ahşap; Asbest veya asbest içerikli malzemeler. Çalışılan malzemenin tehlike sınıfına göre kullanıcının ve çevredeki kişilerin maruziyetini belirleyiniz. Maruziyeti güvenli bir seviyede tutmak için bir toz toplama sisteminin kullanımı veya uygun bir solunum koruma maskesinin kullanımı gibi gerekli önlemleri alınız. Maruziyeti azaltmaya yönelik genel önlemler aşağıdakilerdir:
  - İyi havalandırılan bir alanda çalışma,
  - Toz ile uzun süreli temastan kaçınma,
  - Yüz ve vücuttaki tozları giderme,
  - Koruyucu kıyafet kullanma ve maruz kalan alanları su ve sabunla yıkama.
- Aletlerin ve/veya aksesuarların düşmesi nedeniyle yaralanma tehlikesi. Çalışmaya başlamadan önce akünün monte edilmiş olan aksesuarın emniyetli bir şekilde sabitlenip sabitlenmediğini kontrol ediniz.



- ▶ Kıırma alıřmalarında, alıřılacak yerin karřı tarafında bulunan blgeyi emniyete alınız. Kırılan paralar dıřarı ve / veya yere dşebilir ve diđer kiřilerin yaralanmasına sebep olabilir.
  - ▶ rn ani bir duvar bořluęunda dengeden ıkabilir. Duvar veya tavanlarda kırma iřlemleri gerekleřtirirken gvenli ve dengeli durduęunuzdan emin olunuz.
- ▶ Kr uları kullanmayınız.
- ▶ rnle birlikte verilen ek tutamakları kullanınız. Kontrol kaybı yaralanmalara yol aabilir. Ek tutamaęın gvenli ve sıkı bir řekilde monte edildięinden emin olunuz.
- ▶ rn ancak alıřma konumuna getirdikten sonra alıřtırınız.
- ▶ rn her zaman iki elinizle ngrlen tutamaklardan sıkıca tutunuz. Tutamakları kuru ve temiz tutunuz.
- ▶ Havalandırma deliklerini her zaman aık bırakınız. zeri kapatılan havalandırma delikleri nedeniyle yanma tehlikesi!
- ▶ Dnen paralara temas etmekten kaınınız - Yaralanma tehlikesi!
- ▶ rnn kullanımını sırasında koruyucu gzlk, koruyucu kask, kulaklık ve uygun bir solunum koruma maskesi kullanınız.
- ▶ Koruyucu gzlk kullanın. Etrafa sırayan malzeme vcudu ve gzleri yaralayabilir.
- ▶ rnn iřięina (LED) doęrudan bakmayınız ve iřięi doęrudan bařkalarının yzne doęru tutmayınız. "Kr olma tehlikesi" vardır.
- ▶ Parmaklarınızdaki kan dolařımının daha iyi olması iin sık sık molalar veriniz ve parmak egzersizleri yapınız. Uzun sren alıřmalarda yksek titreřim, parmaklar, eller veya bileklerdeki sinir sisteminde veya kan damarlarında rahatsızlıklara neden olabilir.
- ▶ Yere koymadan nce rnn tamamen durmasını bekleyiniz.
- ▶ Alet deęiřimini sırasında koruyucu eldiven takılmalıdır. Ek alete takılan ulara dokunmak kesik ve yanık trnde yaralanmalara yol aabilir.

#### 2.4 Akl aletlerin zenli alıřtırılması ve kullanımı

- ▶ **Lityum İyon aklerin kullanılması sırasında ařaęıda belirtilen gvenlik uyarılarını dikkate alınız.** Bunlara dikkate alınmaması ciltte tahriřlere, aęır korozif yaralanmalara, kimyasal yanıklara, yangın ve / veya patlamalara neden olabilir.
  - ▶ Aky sadece teknik olarak kusursuz durumdayken kullanınız.
  - ▶ Hasarları nlemek iin ve saęlıęa ciddi zarar verici sıvıları engellemek iin aklere itinalı davranınız!
  - ▶ Aklere asla mdahale edilmemeli ve zerlerinde onarım yapılmamalıdır!
  - ▶ Akler paralarına ayrılmamalı, ezilmemeli, 80°C (176°F) zerine ısıtılmamalı veya yakılmamalıdır.
  - ▶ Darbeye maruz kalmıř veya bařka bir hasar grmř akleri kullanmayınız. Aklerinizi hasar belirtilerine karřı dzenli olarak kontrol ediniz.
  - ▶ Geri dnřtrlmř veya onarılmıř akleri asla kullanmayınız.
  - ▶ Aky veya akyle alıřan bir elektrikli el aletini asla bir řeyi akmak veya bir řeye vurmak iin kullanmayınız.
  - ▶ Akleri asla doęrudan gneř iřięina, ařırı sıcaklık, kıvılcım veya aık ateře maruz bırakmayınız. Bu durum patlamalara neden olabilir.
  - ▶ Aknn kutbuna parmaklarınız, aletler, takılar veya diđer elektrikselsel olarak iletken nesnelere dokunmayınız. Bu durum akye hasar verebilir, maddi hasarlara ve yaralanmalara neden olabilir.
  - ▶ Akleri yaęmurdan, ıslaklıktan ve sıvılardan uzak tutunuz. Aklerin iine nemin girmesi, kısa devrelere, elektrik arpmalarına, yanıklara, yangına veya patlamalara neden olabilir.
  - ▶ Sadece ak tipi iin ngrlmř olan řarj cihazlarını ve elektrikli el aletlerini kullanınız. Bunun iin ilgili kullanım kılavuzlarındaki verileri dikkate alınız.
  - ▶ Aky patlama tehlikesi olan ortamlarda kullanmayınız veya depolamayınız.
  - ▶ Ak tutulamayacak kadar sıcaksa arızalı olabilir. Pili, yanıcı malzemelere yeterli mesafede, grnr ve yanıcı olmayan bir yere yerleřtiriniz. Aky soęumaya bırakınız. Ak bir saat sonra hala dokunulamayacak kadar sıcaksa, arızalı demektir. **Hilti** servisiyle irtibat kurunuz veya "**Hilti** Lityum İyon akler iin gvenlik ve kullanım uyarıları" dokmanını okuyunuz.



Lityum İyon akleri tařıma, depolama ve kullanma iin geerli zel ynetmelikleri dikkate alınız.  
→ Sayfa 120

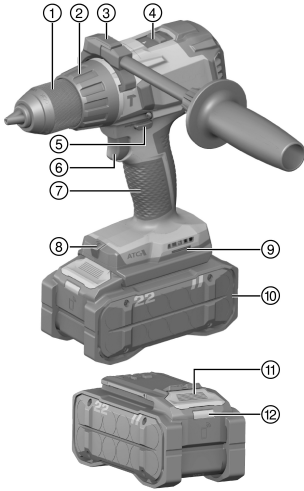
Bu kullanım kılavuzunun sonundaki QR kodu tarayarak ulařabileceęiniz, **Hilti** Lityum İyon akler iin gvenlik ve kullanım uyarılarını okuyunuz.





### 3 Tanımlama

#### 3.1 Ürüne genel bakış



- ① Anahtarsız mandren
- ② Tork ve fonksiyon için ayar halkası
- ③ Yan tutamak
- ④ Vites seçim şalteri
- ⑤ Taşıma koruması olan sağa/sola dönüş değiştirme şalteri
- ⑥ Elektronik devir sayısı kumandası olan kumanda şalteri
- ⑦ Tutamak
- ⑧ Çalışma alanı aydınlatması (LED)
- ⑨ Aksesuar için montaj aralığı
- ⑩ Akü
- ⑪ Akü kilidi açma tuşu
- ⑫ Akü durum göstergesi

#### 3.2 Usulüne uygun kullanım

Tanımlanan ürün, elle kullanılan, aküyle çalışan bir delme/vidalama makinesidir. Çelik, ahşap ve plastik, hafif beton ve duvar yüzeylerdeki delme işleri ve civataların vidalanması ve sökülmesi için tasarlanmıştır.

- Bu ürün için sadece B 22 tip serisi **Hilti** Nuron Lityum İyon aküleri kullanınız. **Hilti** bu ürünle optimum performans elde etmek için bu kullanım kılavuzunun sonundaki tabloda belirtilen akülerin kullanılmasını önerir.
- Bu aküler için sadece **Hilti** şarj cihazlarının bu kullanım kılavuzunun sonundaki tabloda belirtilen serilerini kullanınız.

#### 3.3 ATC

Ürün, elektronik hızlı kapatma donanımına ATC (Active Torque Control) sahiptir.

Ek alet takılır veya sıkışırsa, ürün aniden kontrolsüz şekilde ters yönde dönmeye başlar. ATC, ürünün bu ani dönme hareketini algılar ve ürünü derhal kapatır.



Usulüne uygun çalışma durumu için ürünün dönebilmesi gereklidir.  
Başarılı hızlı kapatmanın ardından, ürünü kapatınız ve tekrar açınız.

#### 3.4 Aşırı yük ve aşırı ısınma göstergesi

Ürün, elektronik bir aşırı zorlanma emniyetine ve aşırı sıcaklık korumasına sahiptir. Aşırı yüklenme ve aşırı ısınma durumunda ürün otomatik olarak kapanır. Kumanda şalteri serbest bırakılıp tekrar basıldığında ürün çalışmasında gecikmeler (ürünün soğuma kademeleri) olabilir.

#### 3.5 Lityum İyon akü göstergeleri

**Hilti** Nuron Lityum İyon aküler şarj durumunu, hata mesajlarını ve akünün durumunu gösterebilir.

##### 3.5.1 Şarj durumu ve hata mesajları göstergeleri



**İKAZ**

**Düşen akü nedeniyle yaralanma tehlikesi!**

- ▶ Akü takılıyken, kilit açma tuşuna bastıktan sonra, kullandığınız üründe akünün yerine oturduğundan emin olunuz.



2275219

Türkçe

115

Aşağıdaki göstergelerden birini görüntülemek için akünün kilit açma tuşuna kısa süreli basınız. Bağlı olan ürün açık olduğu sürece, şarj durumu ve olası arızalar da sürekli görüntülenir.

| Durum  | Anlamı  |
|--|---|
| Dört (4) LED sürekli yeşil yanıyor             | Şarj durumu: % 100 ila % 71 arası   |
| Üç (3) LED sürekli yeşil yanıyor               | Şarj durumu: % 70 ila % 51 arası  |
| İki (2) LED sürekli yeşil yanıyor              | Şarj durumu: % 50 ila % 26 arası  |
| Bir (1) LED sürekli yeşil yanıyor              | Şarj durumu: % 25 ila % 10 arası  |
| Bir (1) LED yavaşça yeşil renkte yanıp sönüyor | Şarj durumu: < % 10   |
| Bir (1) LED hızlıca yeşil yanıp sönüyor        | Lityum İyon akü tamamen deşarj olmuş. Aküyü şarj ediniz.<br>Akünün şarj işleminden sonra LED hala hızlı yanıp sönüyorsa, lütfen <b>Hilti</b> servisiyle irtibat kurunuz.  |
| Bir (1) LED hızlıca sarı yanıp sönüyor         | Lityum İyon akü veya buna bağlı ürün aşırı yüklendi, çok sıcak, çok soğuk veya başka bir hata mevcut. Ürünü ve aküyü önerilen çalışma sıcaklığına getiriniz ve kullanırken ürünü aşırı yükte maruz bırakmayınız.<br>Mesaj devam ediyorsa <b>Hilti</b> servisiyle irtibat kurunuz. |
| Bir (1) LED sarı yanıyor                       | Lityum İyon akü ve bağlantılı ürün uyumlu değildir. Lütfen <b>Hilti</b> servisine başvurunuz.   |
| Bir (1) LED hızlıca kırmızı yanıp sönüyor      | Lityum İyon akü bloke olmuş ve kullanılamaz. Lütfen <b>Hilti</b> servisine başvurunuz.  |

### 3.5.2 Akü durumunun göstergeleri

Akü durumunu sorgulamak için, kilit açma tuşuna üç saniyeden fazla basılı tutunuz. Sistem; düşme, delinme, harici ısı hasarları vb. gibi usulüne uygun olmayan kullanım nedeniyle pilde potansiyel hatalı fonksiyon algılamıyor.

| Durum  | Anlamı   |
|--|--|
| Tüm LED'ler çalışma ışığı olarak yanıyor ve ardından bir (1) LED sürekli yeşil yanıyor.      | Akü kullanımına devam edilebilir.  |
| Tüm LED'ler çalışma ışığı olarak yanıyor ve ardından bir (1) LED hızlıca sarı yanıp sönüyor. | Akünün durumuna ilişkin sorgu tamamlanmadı. İşlemi tekrarlayınız veya <b>Hilti</b> servisiyle irtibat kurunuz.   |
| Tüm LED'ler çalışma ışığı olarak yanıyor ve ardından bir (1) LED sürekli kırmızı yanıyor.    | Bağlı bir ürünün kullanımına devam edilebiliyorsa, kalan akü kapasitesi %50'nin altındadır.<br>Bağlı bir ürünün kullanımına devam edilemiyorsa, akünün kullanım ömrü dolmuştur ve akü değiştirilmelidir. Lütfen <b>Hilti</b> servisine başvurunuz. |

### 3.6 Teslimat kapsamı

Delme/vidalama makinesi, yan tutamak, kullanım kılavuzu.

Ürünleriniz için izin verilen diğer sistem ürünlerini **Hilti Store** veya internetteki şu adreste bulabilirsiniz: [www.hilti.group](http://www.hilti.group)

## 4 Teknik veriler

|  |                 | SF 6-22                        | SF 6H-22                       |
|--|-----------------|--------------------------------|--------------------------------|
| <b>Nominal gerilim</b>                           |                 | 21,6 V <sub>DC</sub>           | 21,6 V <sub>DC</sub>           |
| <b>EPTA Procedure 01 uyarınca aküsüz ağırlık</b> |                 | 2,0 kg                         | 2,0 kg                         |
| <b>Devir sayısı</b>                              | <b>1. vites</b> | 0 dev/dak ...<br>490 dev/dak   | 0 dev/dak ...<br>490 dev/dak   |
|  | <b>2. vites</b> | 0 dev/dak ...<br>2.000 dev/dak | 0 dev/dak ...<br>2.000 dev/dak |



|  | SF 6-22          | SF 6H-22         |
|--|------------------|------------------|
| Sıkma torku (yumuşak vidalama durumu) $\ddagger$ | $\leq 65$ Nm     | $\leq 65$ Nm     |
| Darbe sayısı                                     | •/•              | 36.000 dev/dak   |
| İşletim sırasındaki ortam sıcaklığı              | -17 °C ... 60 °C | -17 °C ... 60 °C |
| Depolama sıcaklığı                               | -20 °C ... 70 °C | -20 °C ... 70 °C |

#### 4.1 Akü

|                                     |  |
|-------------------------------------|--|
| Akü çalışma gerilimi                | 21,6 V                                 |
| Akü ağırlığı                        | Bu kullanım kılavuzunun sonuna bakınız |
| İşletim sırasındaki ortam sıcaklığı | -17 °C ... 60 °C                       |
| Depolama sıcaklığı                  | -20 °C ... 40 °C                       |
| Şarj başlangıcında akü sıcaklığı    | -10 °C ... 45 °C                       |

#### 4.2 Ek aletler için izin verilen çap

|  | SF 6-22          | SF 6H-22         |
|--|------------------|------------------|
| Ø Anahtarsız mandren sıkma alanı               | 1,5 mm ... 13 mm | 1,5 mm ... 13 mm |
| Ø Ahşap delim ucu (sert)                       | 1,5 mm ... 20 mm | 1,5 mm ... 20 mm |
| Ø Ahşap delim ucu (yumuşak)                    | 1,5 mm ... 32 mm | 1,5 mm ... 32 mm |
| Ø Metal delim ucu                              | 1,5 mm ... 13 mm | 1,5 mm ... 13 mm |
| Ø Beton/Duvar yüzeylerde delme (darbeli delme) | •/•              | 4 mm ... 12 mm   |

#### 4.3 EN 62841 uyarınca ses bilgisi ve titreşim değerleri

Bu talimatlarda belirtilen ses basıncı ve titreşim değerleri, ilgili normlara uygun bir ölçüm metodu ile ölçülmüştür ve elektrikli el aletlerinin birbirleri ile karşılaştırılması için kullanılabilir. Zorlanmaların geçici olarak değerlendirilmesine de uygundur.

Belirtilen değerler, elektrikli el aletinin ana kullanım alanlarını temsil eder. Elektrikli el aletinin, farklı ek aletlerle veya yetersiz bakım yapılmış şekilde kullanılması durumunda, veriler sapma gösterebilir. Bu durum, toplam çalışma süresi boyunca zorlanmayı belirgin şekilde yükseltebilir.

Doğru bir zorlanma değerlendirmesi için aletin kapatıldığı veya çalışır konumda olduğu ve ayrıca kullanımda olmadığı zamanlar da dikkate alınmalıdır. Bu durum, toplam çalışma süresi boyunca zorlanmayı belirgin şekilde azaltabilir.

Kullanıcıyı ses ve/veya titreşim etkilerinden koruyacak ek güvenlik önlemleri belirleyiniz, örneğin: Elektrikli el aletinin ve ek aletlerin bakımının yapılması, ellerin sıcak tutulması, iş akışlarının düzenlenmesi.

#### Ses emisyonu değerleri

|  | SF 6-22    | SF 6H-22    |
|--|------------|-------------|
| Emisyon ses basıncı seviyesi ( $L_{pA}$ )            | 74,5 dB(A) | 94,5 dB(A)  |
| Ses basıncı seviyesi için emniyetsizlik ( $K_{pA}$ ) | 5 dB(A)    | 5 dB(A)     |
| Ses gücü seviyesi ( $L_{WA}$ )                       | 85,5 dB(A) | 105,5 dB(A) |
| Emniyetsizlik ses gücü seviyesi ( $K_{WA}$ )         | 5 dB(A)    | 5 dB(A)     |

#### Toplam titreşim değerleri

|  |          | SF 6-22               | SF 6H-22               |
|--|----------|-----------------------|------------------------|
| Metalde delme için titreşim emisyon değeri ( $a_{h,d}$ )         | B 22-85  | 1,0 m/sn <sup>2</sup> | 1,2 m/sn <sup>2</sup>  |
|  | B 22-170 | 0,7 m/sn <sup>2</sup> | 1,1 m/sn <sup>2</sup>  |
| Metalde delme için emniyetsizlik (K)                             |          | 1,5 m/sn <sup>2</sup> | 1,5 m/sn <sup>2</sup>  |
| Betonda darbeli delme için titreşim emisyon değeri ( $a_{h,d}$ ) | B 22-85  | •/•                   | 11,9 m/sn <sup>2</sup> |
|  | B 22-170 | •/•                   | 10,6 m/sn <sup>2</sup> |
| Betonda darbeli delme için emniyetsizlik (K)                     |          | •/•                   | 1,5 m/sn <sup>2</sup>  |



## 5 Çalışma hazırlığı

### İKAZ

#### **Yaralanma tehlikesi kazara çalışmaya başlama nedeniyle!**

- ▶ Aküyü takmadan önce ilgili ürünün kapalı konumda olduğundan emin olunuz.
- ▶ Cihazın ayarlarını yapmadan veya aksesuarları değiştirmeden önce aküyü çıkartınız.

Bu dokümanda ve ürün üzerinde bulunan güvenlik ve uyarı bilgilerine dikkat ediniz.

### 5.1 Akünün şarj edilmesi

1. Şarj etmeden önce şarj cihazının kullanım kılavuzunu okuyunuz.
2. Akü ve şarj cihazının kontaklarının temiz ve kuru olmasına dikkat ediniz.
3. Aküyü izin verilen şarj cihazında şarj ediniz. → Sayfa 115

### 5.2 Akünün yerleştirilmesi

#### İKAZ

#### **Yaralanma tehlikesi kısa devre veya akünün düşmesi nedeniyle!**

- ▶ Aküyü yerleştirmeden önce, akü kontaklarında ve ürün içindeki kontaklarda yabancı cisim bulunmadığından emin olunuz.
  - ▶ Akünün her zaman tam oturduğundan emin olunuz.
1. İlk kullanım öncesinde akü tamamen şarj edilmelidir.
  2. Aküyü ürüne, duyulur şekilde yerine oturana kadar itiniz.
  3. Akünün alette emniyetli bir şekilde yerleşip yerleşmediğini kontrol ediniz.

### 5.3 Akünün çıkartılması

1. Akünün serbest bırakma düğmelerine basınız.
2. Aküyü üründen çıkartınız.

### 5.4 Yan tutamak montajı

#### DİKKAT

#### **Yaralanma tehlikesi! Kırıcı - delici yön kontrolünün kaybedilmesi tehlikesi.**

- ▶ Yan tutamağın doğru monte edildiğinden ve usulüne uygun şekilde sabitlendiğinden emin olunuz. Kısaçkların öngörülen oluklara usulüne uygun şekilde oturduğundan emin olunuz.
1. Yan tutamak kısaçklarını açmak için tutamağı çeviriniz.
  2. Yan tutamak tutucusunu tamamen gövdeye yerleştiriniz ve kısaçklarını öngörülen oluklara itiniz.
  3. Yan tutamak tutucusunu germek için tutamağı çeviriniz.

### 5.5 Ek aletin yerleştirilmesi

1. Anahtarsız mandreni açınız.
2. Ek aleti alet bağlantı yerine yerleştiriniz.
3. Anahtarsız mandreni sıkınız.
4. Ek aletin yerine oturup oturmadığını kontrol ediniz.

### 5.6 Devrilme emniyeti

#### İKAZ

#### **Yaralanma tehlikesi aletin ve/veya aksesuarın yere düşmesi nedeniyle!**

- ▶ Sadece ürününüz için tavsiye edilen **Hilti** alet bağlama ipini kullanınız.
- ▶ Her kullanımdan önce alet bağlama ipinin sabitleme noktasını olası hasarlar bakımından kontrol ediniz.
- ▶ Kemer kancasına herhangi bir alet bağlama ipi sabitlemeyiniz. Kemer kancasını ürünü kaldırmak için kullanmayınız.





Yüksekteki çalışmalar için ulusal yönetmelikleri dikkate alınız.

Bu ürün için devrilme emniyeti olarak sadece **Hilti** alet bağlama ipi ile **Hilti** düşme emniyetini kullanınız #2261970.

- ▶ Düşme emniyetini aksesuarın montaj deliklerine sabitleyiniz. Güvenli tutuşu kontrol ediniz.
- ▶ Alet bağlama ipinin karabına kancasını düşme emniyetine ve ikinci karabına kancasını taşıyıcı bir yapıya sabitleyiniz. Her iki karabına kancasının güvenli tutuşunu kontrol ediniz.



**Hilti** düşme emniyetinin ve **Hilti** alet bağlama ipinin kullanım kılavuzunu dikkate alınız.

## 6 Kullanım

### ⚠ DİKKAT

**Bloke olmuş ek alet nedeniyle yaralanma tehlikesi !**

- ▶ Yan tutamağın doğru monte edildiğinden ve usulüne uygun şekilde sabitlendiğinden emin olunuz. Ürünü her zaman iki elinizle öngörülen tutamaklardan sıkıca tutunuz.
- ▶ Sıçrayan malzemeden korunmak için koruyucu gözlük kullanınız.

Bu dokümanda ve ürün üzerinde bulunan güvenlik ve uyarı bilgilerine dikkat ediniz.

### 6.1 Kademenin seçilmesi 4

- ▶ Vitesi seçiniz.

### 6.2 Sağa/Sola doğru çalışma ayarı 5

- ▶ Sağa/sola dönüş değiştirme şalteriyle sağa veya sola doğru çalıştırmayı ayarlayınız.

### 6.3 Açma

- ▶ Kumanda şalterine basınız.
  - ▶ Ürün çalışır.



Kumanda şalterinin basma derinliğine bağlı olarak devir sayısı kademesiz olarak ayarlanabilir.

### 6.4 Vidalama 6

- ▶ Tork ve fonksiyon ayar halkası üzerinden gerekli torku ayarlayınız.

### 6.5 Delme 6

- ▶ Ayar halkasını tork ve fonksiyon için olarak ayarlayınız.

### 6.6 Darbeli delme 6

- ▶ Ayar halkasını tork ve fonksiyon için olarak ayarlayınız.

### 6.7 Kapatılması

- ▶ Kumanda şalterini bırakınız.
  - ▶ Ürün kapanır.

## 7 Bakım ve onarım

### ⚠ İKAZ

**Takılı aküden dolayı yaralanma tehlikesi !**

- ▶ Tüm bakım ve onarım çalışmalarından önce her zaman aküyü çıkarınız!



**Ürün bakımı**

- Yapışmış olan kiri dikkatlice çıkarınız.
- Eğer varsa, havalandırma deliklerini kuru, yumuşak bir fırça ile dikkatlice temizleyiniz.
- Gövdeyi sadece hafif nemli bir temizlik bezi ile temizleyiniz. Plastik parçalara yapışabileceğinden silikon içerikli bakım maddeleri kullanmayınız.
- Ürünün kontaklarını temizlemek için temiz, kuru bir bez kullanınız.

**Lityum İyon akülerin bakımı**

- Bir aküyü asla havalandırma delikleri tıkalıyken kullanmayınız. Havalandırma deliklerini kuru, yumuşak bir fırça ile dikkatlice temizleyiniz.
- Akünün gereksiz toz veya kire maruz kalmasını önleyiniz. Aküyü asla yüksek neme maruz bırakmayınız (örn. suya daldırma veya yağmurda bırakma). Bir akü ıslandıysa, bu aküye hasarlı akü muamelesi yapınız. Yanmayan bir kabın içinde izole ediniz ve **Hilti** servisiyle irtibat kurunuz.
- Aküyü yabancı yağ ve gresten uzak tutunuz. Gereksiz toz veya kirin aküde birikmesini önleyiniz. Aküyü kuru, yumuşak bir fırça veya temiz, kuru bir bezle temizleyiniz. Plastik parçalara yapışabileceğinden silikon içerikli bakım maddeleri kullanmayınız.
- Akünün kontaklarına dokunmayınız ve fabrika tarafında sürülen gresi kontaklardan temizlemeyiniz.
- Gövdeyi sadece hafif nemli bir temizlik bezi ile temizleyiniz. Plastik parçalara yapışabileceğinden silikon içerikli bakım maddeleri kullanmayınız.

**Onarım**

- Görünür tüm parçalarda hasar olup olmadığını ve kumanda elemanlarının sorunsuz şekilde çalışıp çalışmadığını düzenli olarak kontrol ediniz.
- Hasar ve/veya fonksiyon arızaları durumunda ürünü çalıştırmayınız. Ürünün derhal **Hilti** servisi tarafından onarılmasını sağlayınız.
- Bakım ve onarım çalışmalarından sonra tüm koruma tertibatlarını yerleştiriniz ve bunları sorunsuz fonksiyon bakımından kontrol ediniz.



Güvenli çalışma için sadece orijinal yedek parçalar ve sarf malzemeleri kullanınız. **Hilti** tarafından onaylanmış, yedek parçaları, aksesuarları ve sarf malzemelerini **Hilti Store** veya şu adreste bulabilirsiniz: [www.hilti.group](http://www.hilti.group)

**8 Akülü aletlerin ve akülerin taşınması ve depolanması****Taşıma****⚠ DİKKAT****Taşıma sırasında aletin istem dışı çalışması !**

- ▶ Ürünlerinizi her zaman aküler takılı olmadan taşıyınız!
- ▶ Aküleri çıkartınız.
- ▶ Aküleri kesinlikle sıkıca bağlanmamış koruma ile nakletmeyiniz. Nakliye sırasında, aküler aşırı şok ve titreşimlerden korunmalı ve başka akü kutupları ile temas ederek kısa devreye neden olmaları için, her türlü iletken malzeme veya diğer akülerden izole edilmiş olmalıdır. **Aküler için yerel taşıma talimatlarını dikkate alınız.**
- ▶ Aküler posta ile gönderilmemelidir. Hasarsız aküleri sevk etmek istemeniz halinde, bir nakliye şirketine başvurunuz.
- ▶ Ürünün ve akülerin hasar görmüş olup olmadığını her kullanımdan önce olduğu gibi uzun taşımalardan önce ve sonra kontrol ediniz.

**Depolama****⚠ İKAZ****Arızalı veya akan aküler nedeniyle beklenmeyen hasar oluşumu !**

- ▶ Ürünlerinizi her zaman aküleri yerleştirmeden depolayınız!
- ▶ Ürünü ve aküleri serin ve kuru bir yerde muhafaza ediniz. Teknik verilerde belirtilen sıcaklık sınır değerlerini dikkate alınız.
- ▶ Aküleri şarj cihazının üzerinde muhafaza etmeyiniz. Şarj işleminden sonra her zaman aküyü şarj cihazından çıkartınız.
- ▶ Aküleri kesinlikle güneşte, ısı kaynakları üzerinde veya cam arkasında muhafaza etmeyiniz.
- ▶ Ürünü ve aküleri çocukların ve yetkisiz kişilerin ulaşamayacağı yerlerde muhafaza ediniz.



- Ürünün ve akülerin hasar görmüş olup olmadığını her kullanımdan önce olduğu gibi uzun süreli depolamalardan önce ve sonra kontrol ediniz.

## 9 Arıza durumunda yardım

Tüm arızalarda akünün şarj durumu ve hata göstergesini dikkate alınız. Bkz. Bölüm **Lityum İyon aku göstergeleri**.

Bu tabloda listelenmemiş veya kendi başınıza gideremediğiniz arızalarda lütfen yetkili **Hilti** servisimiz ile irtibat kurunuz.

| Arıza   | Olası sebepler  | Çözüm  |
|---|---|--|
| Ürün çalışmıyor.                                | Akü usulüne uygun yerleştirilmemiş.                               | ► Aküyü yerleştiriniz. → Sayfa 118   |
| Kumanda şalterine basılamıyor veya bloke olmuş. | Sağa/sola dönüş değiştirme şalteri orta konumda (nakliye konumu). | ► Sağa/sola dönüş değiştirme şalteriyle sağa veya sola doğru çalıştırmayı ayarlayınız. → Sayfa 119                                 |
| Üründe veya aküde yüksek ısı oluşumu            | Elektrik arızası  | ► Ürünü derhal kapatınız ve aküyü çıkarınız. Gözlem altında tutarak soğumaya bırakınız. <b>Hilti</b> servisi ile iletişim kurunuz. |
| Akünün LED'lerinde hiçbir şey görüntülenmiyor   | Akü anızalı   | ► <b>Hilti</b> servisi ile irtibat kurunuz.  |
| SF 6H-22<br>Darbeli delme mümkün değil.         | Ayar halkasındaki fonksiyon doğru ayarlanmamış.                   | ► Fonksiyon ayar halkasını "Darbeli delme"  fonksiyonuna ayarlayınız.  |

## 10 İmha



### İKAZ

**Usulüne uygun olmayan imha nedeniyle yaralanma tehlikesi!** Dışarı çıkan gaz ve sıvılar nedeniyle sağlık sorunları.

- Hasar görmüş aküleri hiç bir şekilde göndermeyiniz!
- Kısa devreleri önlemek için, akünün bağlantılarını iletken olmayan bir malzeme ile kapatınız.
- Aküleri, çocukların ellerine geçmeyecek şekilde imha ediniz.
- Aküyü size en yakın **Hilti Store**'da imha ediniz veya imha etmek için yetkili şirketinize başvurunuz.

**Hilti** ürünleri yüksek oranda tekrar kullanılabilen malzemelerden üretilmiştir. Geri dönüşüm için gerekli koşullar, usulüne uygun malzeme ayrımıdır. Çoğu ülkede **Hilti** eski aletlerini yeniden değerlendirmek üzere geri alır. Bu konuda **Hilti** müşteri hizmetlerinden veya satış temsilcilerinizden bilgi alabilirsiniz.



- Elektrikli el aletlerini, elektronik cihazları ve aküleri evdeki çöplere atmayınız!

## 11 Üretici garantisi

- Garanti koşullarına ilişkin sorularınız için lütfen yerel **Hilti** iş ortağınıza başvurunuz.

## 12 Diğer bilgiler

Kullanım, teknoloji, çevre ve geri dönüşüm hakkında daha fazla bilgi aşağıdaki bağlantıda bulunabilir: [qr.hilti.com/manual/?id=2275217&id=2275219](http://qr.hilti.com/manual/?id=2275217&id=2275219)

Bu bağlantıya dokümanın sonunda bulunan QR kodu taratarak da ulaşabilirsiniz.



## 1 بيانات المستند

## 1.1 حول هذا المستند

- اقرأ هذه المستندات بالكامل قبل التشغيل. يعتبر هذا شرطا للعمل بشكل آمن والاستخدام بدون اختلالات.
- تراعى إرشادات الأمان والإرشادات التحذيرية الواردة في هذا المستند وعلى الجهاز.
- احتفظ بدليل الاستعمال دائما مع المنتج، ولا تعطي الجهاز لآخرين إلا مرفقا بهذا الدليل.

## 2.1 شرح العلامات

## 1.2.1 إرشادات تحذيرية

تنبه الإرشادات التحذيرية إلى الأخطار الناشئة عند التعامل مع الجهاز. يتم استخدام الكلمات الدلالية التالية:



**خطر** !

خطر! تشير لخطر مباشر يؤدي لإصابات جسدية خطيرة أو إلى الوفاة.



**تحذير** !

تحذير! تشير لخطر محتمل قد يؤدي لإصابات جسدية خطيرة أو إلى الوفاة.



**احترس** !

تحذير! تشير لموقف خطر محتمل يمكن أن يؤدي لإصابات جسدية أو أضرار مادية.

## 2.2.1 الرموز في دليل الاستعمال

يتم استخدام الرموز التالية في دليل الاستعمال هذا:

|   |  |
|---|--|
| يُرَاعَى دليل الاستعمال                                       |  |
| إرشادات الاستخدام ومعلومات أخرى مفيدة                         |  |
| التعامل مع مواد قابلة لإعادة التدوير                          |  |
| لا تتخلص من الأجهزة الكهربائية البطاريات ضمن القمامة المنزلية |  |
| Hilti بطارية أيونات الليثيوم                                  |  |
| Hilti جهاز الشحن  |  |

## 3.2.1 الرموز في الصور

تستخدم الرموز التالية في الرسوم التوضيحية:

|    |  |
|----|--|
| 2  | تشير هذه الأعداد إلى الصورة المعنية في بداية دليل الاستعمال هذا.                                     |
| 3  | ترقيم الصور يمثل ترتيب خطوات العمل في الصور، وقد يختلف عن ترقيم خطوات العمل في النص.                 |
| 11 | يتم استخدام أرقام المواضع في صورة العرض العام وهي تشير إلى أرقام تعليق الصورة في فصل عرض عام للمنتج. |
| !  | هذه العلامة من شأنها أن تثير انتباهك جيداً عند التعامل مع المنتج.                                    |





### 3.1 الرموز المرتبطة بالمنتج

#### 1.3.1 رموز إضافية

قد تكون الرموز التالية مستخدمة بشكل إضافي في هذا المستند أو على المنتج:

|             |  |
|-------------|--|
|             | الثقب بدون طرق   |
|             | الثقب بالطرق (الثقب المطرقي)   |
| $n_0$       | عدد اللفات الاسمي في الوضع المايذ  |
| /min        | عدد اللفات في الدقيقة  |
| $\emptyset$ | القطر  |
|             | الدوران جهة اليمين/اليسار  |
|             | تيار مستمر   |
| Li-Ion      | بطارية أيونات الليثيوم   |
|             | ي دعم المنتج تقنية NFC المتوافقة مع أنظمة التشغيل iOS و Android.               |
|             | لا تستخدم البطارية أبداً كمطرقة.   |
|             | لا تدع البطارية تسقط. لا تستخدم بطارية تعرضت لصدمات أو أي نوع آخر من التلفيات. |

### 4.1 معلومات المنتج

منتجات **Hilti** مصممة للمستخدمين المحترفين ويقصر استعمالها وصيانتها وإصلاحها على الأشخاص المعتمدين والمدربين جيداً. هؤلاء الأشخاص يجب أن يكونوا قد تلقوا تدريباً خاصاً على الأخطار الطارئة. قد يتسبب الجهاز وأدواته المساعدة في حدوث أخطار إذا تم التعامل معها بشكل غير سليم فنياً من قبل أشخاص غير مدربين أو تم استخدامها بشكل غير مطابق للتعليمات. يوجد مسمى الطراز والرقم المسلسل على لوحة الصنع.

انقل الرقم المسلسل في الجدول التالي. ستحتاج إلى بيانات المنتج في حالة الاستفسارات الموجهة إلى ممثلينا أو مركز الخدمة.

#### بيانات المنتج

|                    |                                    |
|--------------------|------------------------------------|
| SF 6-22   SF 6H-22 | المفك الآلي الثقب   المثقاب الدقاق |
| 03                 | الجيل                              |
|                    | الرقم المسلسل                      |

### 5.1 بيان المطابقة

تعلن الجهة الصانعة على مسؤوليتها وحدها بأن المنتج المشروع هنا يتوافق مع التشريعات والمعايير المعمول بها. تجد صورة لبيان المطابقة في نهاية هذا المستند.

المستندات الفنية محفوظة هنا:

Hilti Entwicklungsgesellschaft mbH | Zulassung Geräte | Hiltistraße 6 | 86916 Kaufering, DE

## 2 السلامة

### 1.2 إرشادات السلامة العامة المتعلقة بالأدوات الكهربائية

**⚠ تحذير احرص على قراءة جميع إرشادات السلامة، التوجيهات، الصور التوضيحية والمواصفات الفنية المرفقة مع هذه الأداة الكهربائية.** أي تقصير أو إهمال في الالتزام بالتعليمات التالية قد يتسبب في حدوث صعق كهربائي، نشوب حريق و/أو وقوع إصابات خطيرة.

احتفظ بجميع مستندات إرشادات السلامة والتعليمات لاستخدامها عند الحاجة إليها فيما بعد.



يقصد بمصطلح «الأداة الكهربائية» المذكور في إرشادات السلامة الأدوات الكهربائية المشغلة بالكهرباء (باستخدام كابل الكهرباء) أو الأدوات الكهربائية المشغلة بالبطاريات (بدون كابل الكهرباء).

### سلامة مكان العمل

- ◀ حافظ على نطاق عملك نظيفاً ومضاءً بشكل جيد. الفوضى أو أماكن العمل غير المضاءة يمكن أن تؤدي لوقوع حوادث.
- ◀ لا تعمل بالأداة الكهربائية في محيط معرض لخطر الانفجار يتواجد به سوائل أو غازات أو أنواع غبار قابلة للاشتعال. الأدوات الكهربائية تولد شرراً يمكن أن يؤدي لإشعال الغبار والأبفرة.
- ◀ احرص على إبعاد الأطفال والأشخاص الآخرين أثناء استخدام الأداة الكهربائية. في حالة انصراف انتباهك قد تفقد السيطرة على الجهاز.

### السلامة الكهربائية

- ◀ يجب أن يكون قابس توصيل الأداة الكهربائية متلائماً مع المقبس. لا يجوز تعديل القابس بأي حال من الأحوال. لا تستخدم قوايس مهايأة مع أدوات كهربائية ذات وصلة أرضي محمية. القوايس غير المعدلة والمقابس الملائمة تقلل من خطر حدوث صدمة كهربائية.
- ◀ تجنب حدوث تلامس للجسم مع أسطح مؤرضة مثل الأسطح الخاصة بالمواسير وأجهزة التدفئة والمواقد والتلاجات. ينشأ خطر متزايد من حدوث صدمة كهربائية عندما يكون جسمك متصلاً بالأرض.
- ◀ أبعد الأدوات الكهربائية عن الأمطار أو البلل. تسرب الماء إلى داخل الأداة الكهربائية يزيد من خطر حدوث صدمة كهربائية.
- ◀ لا تستخدم كابل التوصيل لحمل الأداة الكهربائية أو تعليقها أو لسحب القابس من المقبس. احتفظ بكابل التوصيل بعيداً عن السخونة والزيوت والحواف الحادة والأجزاء المتحركة. كابلات التوصيل التالفة أو المتشابكة تزيد من خطر حدوث صعق كهربائي.
- ◀ عندما تعمل بأداة كهربائية في مكان مكشوف، فلا تستخدم سوى كابلات الإطالة المناسبة للعمل في النطاق الخارجي. استخدام كابل إطالة مناسب للعمل في النطاق الخارجي يقلل من خطر حدوث صعق كهربائي.
- ◀ إذا تعذر تجنب تشغيل الأداة الكهربائية في محيط رطب، فاستخدم مفتاح حماية من تسرب التيار. استخدام مفتاح الحماية من تسرب التيار يقلل خطر حدوث صدمة كهربائية.

### سلامة الأشخاص

- ◀ كن يقظاً وانتبه لما تفعل وتعامل مع الأداة الكهربائية بتعقل عند العمل بها. لا تستخدم الأداة الكهربائية عندما تكون متعباً أو تحت تأثير المخدرات أو الكحوليات أو العقاقير. فقد يتسبب عدم الانتباه للحظة واحدة أثناء الاستخدام في حدوث إصابات بالغة.
- ◀ ارتد تجهيزات وقاية شخصية وارتد دائماً نظارة واقية. ارتداء تجهيزات وقاية شخصية، مثل قناع الوقاية من الغبار وأحذية الأمان المضادة للانزلاق وخوذة الوقاية أو واقى السمع، تبعاً لنوع واستخدام الأداة الكهربائية، يقلل من خطر الإصابات.
- ◀ تجنب التشغيل بشكل غير مقصود. تأكد أن الأداة الكهربائية مطفأة قبل توصيلها بالكهرباء و/أو بالبطارية وقبل رفعها أو حملها. إذا كان إصبعك على المفتاح عند حمل الأداة الكهربائية أو كان الجهاز في وضع التشغيل عند التوصيل بالكهرباء، فقد يؤدي ذلك لوقوع حوادث.
- ◀ أبعد أدوات الضبط أو مفاتيح ربط البراغي قبل تشغيل الأداة الكهربائية. الأداة أو المفتاح المتواجد في جزء دوار من الجهاز يمكن أن يؤدي لحدوث إصابات.
- ◀ تجنب اتخاذ وضع غير طبيعي للجسم. احرص على أن تكون واقفاً بأمان وحافظ على توازنك في جميع الأوقات. من خلال ذلك تستطيع السيطرة على الأداة الكهربائية بشكل أفضل في المواقف المفاجئة.
- ◀ ارتد ملابس مناسبة. لا ترتد ملابس فضفاضة أو حلي. احرص على أن يكون الشعر والملابس والقفازات بعيدة عن الأجزاء المتحركة. الملابس الفضفاضة أو الحلي أو الشعر الطويل يمكن أن تشبك في الأجزاء المتحركة.
- ◀ إذا أمكن تركيب تجهيزات شطف وتجميع الغبار، فتأكد أنها موصلة ومستخدمة بشكل سليم. استخدام تجهيز شطف الغبار يمكن أن يقلل الأخطار الناتجة عن الغبار.
- ◀ لا تعتقد بأنك في مأمن عن الخطر ولا تتجاهل تشريعات السلامة المعنية للأدوات الكهربائية، حتى وإن كنت على دراية بالأداة الكهربائية بعد تكرار استخدامها. التعامل مع الجهاز بدون حذر قد يؤدي إلى وقوع إصابات بالغة في جزء من الثانية.

### استخدام الأداة الكهربائية والتعامل معها

- ◀ لا تفرط في التحميل على الجهاز. استخدم الأداة الكهربائية المناسبة للعمل الذي تقوم به. استخدام الأداة الكهربائية المناسبة يتيح لك العمل بشكل أفضل وأكثر أماناً في نطاق العمل المقرر.



- ◀ لا تستخدم أداة كهربائية ذات مفتاح تالف. الأداة الكهربائية التي لم يعد يمكن تشغيلها أو إطفائها تمثل خطورة ويجب إصلاحها.
- ◀ اسحب القابس من المقبس و/أو اخلع البطارية القابلة للخلع من الجهاز قبل إجراء عمليات الضبط، أو استبدال أجزاء الملحقات أو عند ترك الجهاز. هذا الإجراء الوقائي يمنع بدء تشغيل الأداة الكهربائية دون قصد.
- ◀ احتفظ بالأدوات الكهربائية غير المستخدمة بعيدا عن متناول الأطفال. لا تسمح باستخدام الجهاز من قبل أشخاص ليسوا على دراية به أو لم يقرءوا هذه التعليمات. الأدوات الكهربائية خطيرة في حالة استخدامها من قبل أشخاص ليست لديهم الخبرة الواجبة.
- ◀ اعتني جيدا بالأدوات الكهربائية والملحقات. افحص الأجزاء المتحركة من حيث أداؤها لوظيفتها بدون مشاكل وعدم انحصارها وافحصها من حيث وجود أجزاء مكسورة أو متعرضة للضرر يمكن أن تؤثر سلبا على وظيفة الأداة الكهربائية. اعمل على إصلاح الأجزاء التالفة قبل استخدام الجهاز. الكثير من الحوادث مصدرها الأدوات الكهربائية التي تم صيانتها بشكل رديء.
- ◀ حافظ على أدوات القطع حادة ونظيفة. تتميز أدوات القطع ذات حواف القطع المادة المعتنى بها بدقة بأنها أقل عرضة للتعثرو وأسهل في التعامل.
- ◀ استخدم الأداة الكهربائية والملحقات وأدوات العمل وخلافه طبقا لهذه التعليمات. احرص في هذه الأثناء على مراعاة اشتراطات العمل والمهمة المراد تنفيذها. استخدام الأدوات الكهربائية في تطبيقات غير تلك المقررة لها يمكن أن يؤدي لمواقف خطيرة.
- ◀ حافظ على المقابض ومواقع المسك في حالة جافة ونظيفة وخالية من الزيت والشحم. المقابض ومواقع المسك الانزلاقية تحول دون استعمال الأداة الكهربائية والتحكم بها بشكل آمن في المواقف غير المتوقعة.

#### استخدام الأداة العاملة بالبطارية والتعامل معها

- ◀ لا تشحن البطارية إلا في أجهزة شحن موصى بها من قبل الجبة الصانعة. بالنسبة لجهاز الشمن المناسب لنوع معين من البطاريات، ينشأ خطر الحريق عند استخدامه مع بطاريات أخرى.
- ◀ لا تضع في الأدوات الكهربائية سوى البطاريات المخصصة لها. استخدام بطاريات أخرى يمكن أن يؤدي لوقوع إصابات وخطر الحريق.
- ◀ أبعد البطارية غير المستخدمة عن مشابك الورق وقطع النقود المعدنية والمفاتيح والمسامير والبراغي أو الأشياء المعدنية الصغيرة الأخرى التي يمكن أن تتسبب في توصيل الملامسين لبعضهما. حدوث قفلة كهربائية بين أطراف توصيل البطارية يمكن أن ينتج عنه حدوث حروق أو نشوب حريق.
- ◀ عند الاستخدام بشكل خاطئ يمكن أن يتسرب سائل من البطارية. تجنب ملامسته. اشطفه بالماء في حالة ملامسته عن طريق الخطأ. إذا وصل السائل للعينين، فتوجه للطبيب علاوة على ذلك. سائل البطارية المتسرب يمكن أن يؤدي لتبيح البشرة أو حدوث حروق.
- ◀ لا تستخدم بطارية تالفة أو مختلفة. البطاريات التالفة أو المختلفة قد تتفاعل مع نفسها بشكل غير متوقع مما يؤدي لنشوب حريق أو حدوث انفجار أو وقوع إصابات.
- ◀ لا تعرض البطارية للنار أو لدرجات حرارة مرتفعة للغاية. حيث قد تؤدي النار ودرجات الحرارة الزائدة عن 130 °م (265 °ف) إلى حدوث انفجار.
- ◀ التزم بكافة التعليمات المعنية بالشحن، ولا تقم أبدا بشحن البطارية أو الأداة العاملة بالبطارية خارج نطاق درجة الحرارة الوارد ذكره في دليل التشغيل. الشمن بشكل خاطئ أو خارج نطاق درجة الحرارة المسموح به قد يتلف البطارية ويزيد من خطر الحريق.

#### الخدمة

- ◀ اعمل على إصلاح أدواتك الكهربائية على أيدي فنيين معتمدين فقط والاقصر على استخدام قطع الغيار الأصلية. وبذلك تتأكد من الحفاظ على سلامة الجهاز.
- ◀ لا تقم أبدا بصيانة البطاريات التالفة. يجب أن تتم جميع أعمال الصيانة بمعرفة الجبة الصانعة فقط أو من خلال مراكز خدمة العملاء المعتمدين.

## 2.2 إرشادات السلامة للمثاقب

### إرشادات السلامة لجميع الأعمال

- ◀ احرص على ارتداء واقية للأذنين عند الثقب بالطرق. لذا يرجى مراعاة أن الضجيج الصاخب يمكن أن يُفقد القدرة على السمع.
- ◀ استخدم المقبض الإضافي. فقدان السيطرة يمكن أن يؤدي لوقوع إصابات.



- ◀ احرص على مسك الأداة الكهربائية من مواضع المسك المعزولة عند إجراء أعمال يحتمل فيها أن تتلامس الأداة الكهربائية أو البراغي مع أسلاك كهربائية مخفية. حيث أن ملامسة سلك يسري فيه التيار الكهربائي يمكن أن ينقل الجهد الكهربائي للأجزاء المعدنية بالجهاز ويؤدي لحدوث صدمة كهربائية.
- ◀ إرشادات السلامة في حالة استخدام ريشة ثقب طويلة
- ◀ لا تعمل بأي حال من الأحوال بعدد لفات أعلى من عدد اللفات الأقصى المسموح به لريشة الثقب. عند العمل بعدد لفات أعلى يمكن أن تنتهي ريشة الثقب بسهولة، إذا دارت دون تلامس مع قطعة الشغل، وتؤدي إلى وقوع إصابات.
- ◀ ابدأ عملية الثقب دائماً بعدد لفات منخفض وعندما تكون ريشة الثقب ملامسة لقطعة الشغل. عند العمل بعدد لفات أعلى يمكن أن تنتهي ريشة الثقب بسهولة، إذا دارت دون تلامس مع قطعة الشغل، وتؤدي إلى وقوع إصابات.
- ◀ اضغط على ريشة الثقب بدون إفراط وفي اتجاه طولي فقط. فقد تتعرض ريشة الثقب للانشاء والانكسار من جراء ذلك، أو من الممكن أن تفقد السيطرة عليها وتتسبب في وقوع إصابات.

### 3.2 إرشادات السلامة الإضافية المتعلقة بالمفك الألي

- ◀ اقتصر على استخدام المنتج والملحقات وهم في حالة سليمة من الناحية الفنية.
- ◀ لا تقم أبداً بأية تدخلات أو تغييرات على المنتج أو الملحقات.
- ◀ قبل بدء الأعمال افحص نطاق العمل من حيث وجود توصيلات كهربائية مدفونة أو مواسير للغاز والماء. الأجزاء المعدنية الخارجية بالمنتج يمكن أن تتسبب في صدمة كهربائية أو انفجار، إذا قمت بإتلاف إحدى توصيلات التيار أو ماسورة الغاز أو الماء.
- ◀ يمكن أن يحتوي الغبار الناتج عن التجليخ والسفرة والقطع والثقب على مواد كيميائية خطيرة. بعض الأمثلة: الرصاص أو الدهانات التي تحتوي على الرصاص، القرميد والفرسانة ومنتجات البناء الأخرى وأحجار البناء الطبيعية والمنتجات الأخرى المحتوية على السيليكات، بعض الأخشاب مثل البلوط والزان والأخشاب المعالجة كيميائياً، الأسبستوس أو الغامات المحتوية على الأسبستوس. قم بتحديد مدى تعرض المستخدم والأشخاص المحيطين لفئة خطر الغامات التي يجري العمل عليها. اتخذ التدابير اللازمة للحفاظ على مدى التعرض في مستوى آمن. على سبيل المثال، استخدام نظام تجميع الغبار أو ارتداء كمامة مناسبة للتنفس. تشمل التدابير العامة للحد من مدى التعرض ما يلي:
  - ◀ العمل في نطاق جيد التهوية،
  - ◀ تجنب ملامسة الغبار لفترة طويلة،
  - ◀ إزالة الغبار عن الوجه والجسم،
  - ◀ ارتداء بزة واقية وغسل المناطق المكشوفة بالماء والصابون.
- ◀ خطر الإصابة من جراء سقوط الأدوات و/أو الملحقات. تأكد قبل بدء العمل أن البطارية والملحقات المُرَكبة مثبتة بشكل آمن.
- ◀ أثناء أعمال الثقب قم بتأمين النطاق الواقع على الجهة المقابلة للعمل. الشظايا المتناثرة يمكن أن تتطاير و/أو تسقط وتصيب الآخرين.
- ◀ قد يتسبب المنتج في إخلال توازنك في حالة حدوث ثقب مفاجئ للجدار. يجب مراعاة الوقوف بشكل آمن والحفاظ على توازنك عند القيام بأعمال الثقب بالجدران أو الأسقف.
- ◀ لا تستخدم لقم ثلمة.
- ◀ استخدم المقابض الإضافية الموردة مع المنتج. فقدان السيطرة يمكن أن يؤدي لوقوع إصابات. تأكد من تثبيت المقبض الإضافي بشكل آمن وبإحكام.
- ◀ لا تقم بتشغيل المنتج حتى تقوم بنقله إلى وضع العمل.
- ◀ أمسك الجهاز دائماً بكلتا اليدين من المقابض المخصصة لذلك. حافظ على جفاف ونظافة المقابض.
- ◀ احتفظ بفتحات التهوية مكشوفة دائماً. خطر حدوث حرائق بسبب فتحات التهوية المغطاة!
- ◀ تجنب ملامسة الأجزاء الدوارة - خطر الإصابة!
- ◀ احرص أثناء استخدام المنتج على ارتداء نظارة واقية وخوذة حماية وواقي للسمع وكمامة مناسبة للتنفس.
- ◀ استخدم واقياً للعينين. الشظايا المتطايرة يمكن أن تصيب الجسم والعينين.
- ◀ لا تنظر بشكل مباشر إلى مصدر الإضاءة (لمبة LED) الخاصة بالمنتج ولا تقم بتوجيه الإضاءة إلى أوجه أشخاص آخرين. فهناك خطر الإصابة بالعمى.
- ◀ خذ قسطاً من الراحة بشكل متكرر وحم بتمارين استرخاء لسريان الدم في الأصابع بشكل أفضل. عند القيام بأعمال لفترات طويلة، فقد تحدث اضطرابات في الأوعية الدموية أو الجهاز العصبي بسبب كثرة الاهتزازات على الأصابع أو الأيدي أو معصم اليد.
- ◀ انتظر حتى يتوقف المنتج قبل تخزينه.



- ◀ قم بارتداء قفازا واقيا أثناء تغيير الأدوات. ملامسة أداة الشغل قد تؤدي لوقوع إصابات بجروح قطعية وإصابة بحروق.

## 4.2 التعامل بعناية مع الأجهزة العاملة بالبطاريات واستخدامها

- ◀ احرص على مراعاة إرشادات السلامة التالية للتعامل والاستخدام الآمن لبطاريات أيونات الليثيوم. وعدم مراعاة ذلك قد يؤدي إلى حدوث تيجيات للبشرة، إصابات أكلة بالغة، حروق كيميائية، حرائق و / أو انفجارات.
- ◀ اقتصر على استخدام البطاريات وهي في حالة سليمة من الناحية الفنية.
- ◀ احرص على التعامل مع البطاريات بعناية لتجنب وقوع أضرار ومنع تسرب السوائل التي قد تضر بالصحة بصورة كبيرة!
- ◀ لا يجوز بأي حال من الأحوال تعديل البطاريات أو العبث بها!
- ◀ لا يجوز تفكيك البطاريات أو سحبقها أو وضعها في درجة حرارة أعلى من 80°م (176°ف) أو حرقها.
- ◀ لا تقم باستخدام أو شحن بطاريات تعرضت لصددمات أو أي نوع آخر من الأضرار. افحص البطاريات بشكل دوري بحثاً عن علامات التلف.
- ◀ لا تقم مطلقاً باستخدام بطاريات مُعاد تدويرها أو التي تم إصلاحها.
- ◀ لا تستخدم أبداً البطارية أو أية أداة كهربائية مشغلة بالبطارية كمطرقة.
- ◀ لا تقم مطلقاً بتعرض البطاريات لأشعة الشمس المباشرة أو درجات الحرارة المرتفعة أو تولد الشرر أو اللهب المكشوف. فقد يؤدي ذلك إلى حدوث انفجارات.
- ◀ لا تلمس أقطاب البطارية بأصابعك، أدوات، خلّي أو أية أشياء أخرى موصلة للكهرباء. فقد يؤدي ذلك إلى إلحاق الضرر بالبطارية وحدوث أضرار مادية والإصابات.
- ◀ احتفظ بالبطاريات بعيداً عن الأمطار والبلل والسوائل. فالرطوبة المتسربة قد تتسبب في حدوث قفلات كهربائية، صدمات كهربائية، حرائق وانفجارات.
- ◀ اقتصر على استخدام الشواحن والأدوات الكهربائية المقررة لهذه البطارية. يلزم مراعاة المعلومات الواردة في دليل الاستعمال المعني.
- ◀ لا تقم باستخدام أو تخزين البطارية في النطاقات المُعرضة لخطر الانفجار.
- ◀ في حالة السخونة الشديدة للبطارية بحيث يتعذر الإمساك بها، فقد تكون تالفة. احرص على وضع البطارية في مكان مرئي وغير قابل للاشتعال مع وجود مسافة كافية من الخامات القابلة للاشتعال. اترك البطارية تبرد. إذا ظلت البطارية ساخنة بعد مرور ساعة لدرجة تعذر لمسها، فهذا يعني أنها تالفة. توجه إلى مركز خدمة Hilti أو اقرأ المستند "إرشادات لسلامة واستخدام بطاريات أيونات الليثيوم Hilti".

احرص على مراعاة اللوائح الخاصة التي تسري على نقل وتخزين واستخدام بطاريات أيونات الليثيوم.



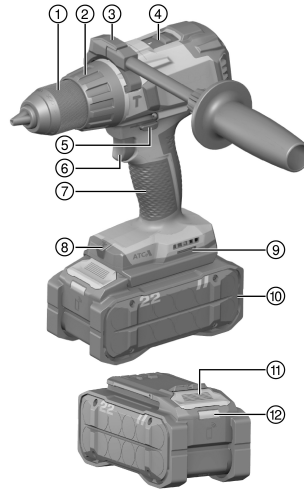
← صفحة 133

اقرأ إرشادات سلامة واستخدام بطاريات أيونات الليثيوم Hilti، التي يمكنك العثور عليها عن طريق مسح كود الاستجابة السريعة الموجود في نهاية دليل الاستعمال هذا.



1.3 نظرة عامة على المنتج **i**

- ① ملقمة ريش الثقب سريعة الربط
- ② حلقة ضبط عزم الربط والأداء الوظيفي
- ③ المقبض الجانبي
- ④ مفتاح اختيار السرعة
- ⑤ مفتاح تحويل الدوران جهة اليمين/اليسار مع وسيلة تأمين النقل
- ⑥ مفتاح تحكم مزود بنظام تحكم إلكتروني في عدد اللفات
- ⑦ المقبض
- ⑧ لمبة إضاءة نطاق العمل (LED)
- ⑨ فتحة تركيب الملحق
- ⑩ البطارية
- ⑪ زر تحرير البطارية
- ⑫ مبین حالة البطارية



2.3 الاستخدام المطابق للتعليمات

- المنتج المشروح عبارة عن مفك آلي ثقاب عامل بالبطارية ويدوي التوجيه. وهو مخصص لعمل الثقوب في الفولاذ والأخشاب والبلاستيك والخرسانة الخفيفة والجدران ولربط وفك البراغي.
- اقتصر على استخدام بطاريات أيونات الليثيوم من Hilti من النوع B 22 مع هذا المنتج. لتحقيق القدرة المثالية، توصي Hilti باستخدام البطاريات المذكورة بالجدول الوارد بنهاية دليل الاستعمال هذا مع هذا المنتج.
  - اقتصر مع هذه البطاريات على استخدام شواحن Hilti من الأنواع المذكورة في نهاية دليل الاستعمال هذا.

3.3 ATC

المنتج مزود بخاصية الإيقاف الإلكتروني السريع (ATC (Active Torque Control). في حالة إعاقة أداة الشغل أو انحصارها، فإن المنتج يدور بشكل مفاجئ على نحو غير محكوم في الاتجاه المعاكس. وتتعرف وظيفة ATC على هذه الحركة المفاجئة للدوران بالمنتج وتقوم بإيقاف المنتج على الفور.

يجب ألا يكون هناك عائق أمام دوران المنتج حتى يعمل بشكل سليم. بعد الإيقاف السريع، قم بإيقاف المنتج ثم أعد تشغيله.



4.3 مبین التحميل الزائد والسخونة الزائدة

المنتج مزود بوسيلة حماية إلكترونية من التحميل الزائد والسخونة المفرطة. في حالة التحميل الزائد أو السخونة المفرطة يتوقف المنتج أوتوماتيكيًا. وعند ترك مفتاح التحكم والضغط عليه من جديد قد يتأخر التشغيل في بعض الأحيان (مراحل تبريد المنتج).

5.3 بيانات بطارية أيونات الليثيوم

يمكن لبطاريات أيونات الليثيوم Hilti Nuron عرض حالة الشحن وبلاغات الأخطاء وحالة البطارية.




**خطر الإصابة بسبب سقوط البطارية!**

بينما البطارية مركبة، تأكد بعد الضغط على زر التحرير أنك قمت بإعادة تثبيت البطارية بشكل صحيح في المنتج المستخدم.

لكي يتسنى الحصول على أحد البيانات التالية، اضغط لوهلة قصيرة على زر تحرير البطارية. وأيضًا يتم باستمرار عرض حالة الشحن وكذلك الاختلالات المُحتملة طوال فترة تشغيل المنتج الموصول.

| الحالة   | الاستعمال  |
|--|--|
| تضيء أربع لمبات LED (4) باستمرار باللون الأخضر | حالة الشحن: 100 % إلى 71 %   |
| تضيء ثلاث لمبات LED (3) باستمرار باللون الأخضر | حالة الشحن: 70 % إلى 51 %  |
| تضيء لمبتا LED (2) باستمرار باللون الأخضر      | حالة الشحن: 50 % إلى 26 %  |
| تضيء لمبة LED واحدة (1) باستمرار باللون الأخضر | حالة الشحن: 25 % إلى 10 %  |
| تومض لمبة LED واحدة (1) ببطء باللون الأخضر     | حالة الشحن: > 10 %   |
| تومض لمبة LED واحدة (1) بسرعة باللون الأخضر    | بطارية أيونات الليثيوم فارغة الشحنة تمامًا. اشحن البطارية.<br>إذا استمر وميض لمبة LED بسرعة بعد شحن البطارية، توجه إلى مركز خدمة Hilti.  |
| تومض لمبة LED واحدة (1) بسرعة باللون الأصفر    | هناك تحميل زائد على بطارية أيونات الليثيوم أو المنتج المرتبط بها أو بهما سخونة زائدة أو برودة زائدة أو بما خطأً آخر.<br>اعمل على توفير درجة حرارة العمل الموصى بها للمنتج وللبطارية، واحرص على ألا يتعرض المنتج للتحميل الزائد عند استخدامه.<br>إذا استمر وجود البلاغ، توجه إلى مركز خدمة Hilti. |
| تضيء لمبة LED واحدة (1) باللون الأصفر          | بطارية أيونات الليثيوم والمنتج المرتبط بها ليسا متوافقين. يُرجى التوجه إلى مركز خدمة Hilti.  |
| تومض لمبة LED واحدة (1) بسرعة باللون الأحمر    | تم تعطيل بطارية أيونات الليثيوم ولا يمكن مواصلة استخدامها. يُرجى التوجه إلى مركز خدمة Hilti.   |

**2.5.3 عرض حالة البطارية**

للاستفسار عن حالة البطارية، احتفظ بزر التحرير مضغوطًا لمدة تزيد على ثلاث ثوان. لا يكتشف النظام أي عطل محتمل في البطارية بسبب سوء الاستخدام، على سبيل المثال السقوط أو الثقب أو الأضرار الخارجية بفعل الحرارة، وما إلى ذلك

| الحالة   | الاستعمال  |
|--|--|
| تضيء جميع لمبات LED كخط إضاءة متتابع، وبعد ذلك تضيء لمبة LED واحدة (1) باستمرار باللون الأخضر. | لا يزال من الممكن استخدام البطارية.  |
| تضيء جميع لمبات LED كخط إضاءة متتابع، وبعد ذلك تومض لمبة LED واحدة (1) بسرعة باللون الأصفر.    | تعذر إتمام الاستعلام عن حالة البطارية. كرر العملية أو توجه إلى مركز خدمة Hilti.  |
| تضيء جميع لمبات LED كخط إضاءة متتابع، وبعد ذلك تضيء لمبة LED واحدة (1) باستمرار باللون الأحمر. | إذا كان لا يزال من الممكن استخدام منتج موصول، تكون قدرة البطارية المتبقية أقل من 50%.<br>إذا لم يعد من الممكن استخدام منتج موصول، فهذا يعني أن البطارية في نهاية عمرها الافتراضي ويجب تغييرها. يُرجى التوجه إلى مركز خدمة Hilti. |

**6.3 مجموعة التجهيزات الموردة**

المفك الآلي الثقب، المقبض الجانبي، دليل الاستعمال.

تجد المزيد من منتجات النظام المسموح بها لمنتجك لدى متجر **Hilti Store** أو على موقع الإنترنت: [www.hilti.group](http://www.hilti.group)



| SF 6H-22                           | SF 6-22                            |   |
|------------------------------------|------------------------------------|---|
| 21.6 فلت تيار مستمر                | 21.6 فلت تيار مستمر                | الجهد الكهربائي الاسمي                            |
| 2.0 كجم                            | 2.0 كجم                            | الوزن حسب EPTA Procedure 01 بدون البطارية         |
| 0 لفة/دقيقة ...<br>490 لفة/دقيقة   | 0 لفة/دقيقة ...<br>490 لفة/دقيقة   | عدد اللغات  |
| 0 لفة/دقيقة ...<br>2,000 لفة/دقيقة | 0 لفة/دقيقة ...<br>2,000 لفة/دقيقة |   |
| ≥ 65 نيوتن متر                     | ≥ 65 نيوتن متر                     | عزم الربط (الربط في الأجسام اللينة) $\frac{1}{2}$ |
| 36,000 لفة/دقيقة                   | •/•                                | عدد الطرقات                                       |
| 17° ... 60° م                      | 17° ... 60° م                      | درجة الحرارة المحيطة أثناء التشغيل                |
| 20° ... 70° م                      | 20° ... 70° م                      | درجة حرارة التخزين                                |

## 1.4 البطارية

|                       |                                    |
|-----------------------|------------------------------------|
| 21.6 فلت              | جهد تشغيل البطارية                 |
| انظر نهاية هذا الدليل | وزن البطارية                       |
| 17° ... 60° م         | درجة الحرارة المحيطة أثناء التشغيل |
| 20° ... 40° م         | درجة حرارة التخزين                 |
| 10° ... 45° م         | درجة حرارة البطارية عند بدء الشحن  |

## 2.4 القطر المسموح به لأدوات الشغل

| SF 6H-22         | SF 6-22          |   |
|------------------|------------------|---|
| 1.5 مم ... 13 مم | 1.5 مم ... 13 مم | Ø نطاق ربط ملقمة ريش الثقب السريعة        |
| 1.5 مم ... 20 مم | 1.5 مم ... 20 مم | Ø ريشة ثقب الخشب (صلب)                    |
| 1.5 مم ... 32 مم | 1.5 مم ... 32 مم | Ø ريشة ثقب الخشب (طري)                    |
| 1.5 مم ... 13 مم | 1.5 مم ... 13 مم | Ø ريشة ثقب المعادن                        |
| 4 مم ... 12 مم   | •/•              | Ø الثقب في الخرسانة/الجران (الثقب بالطرق) |

## 3.4 قيم الضوضاء والاهتزاز طبقا للمواصفة EN 62841

تم قياس ضغط الصوت وقيم الاهتزاز الواردة في هذا الدليل طبقا لأحد معايير القياس المحددة ويمكن الاستعانة بها في إجراء مقارنة بين الأدوات الكهربائية مع بعضها البعض. وهي مناسبة أيضا لتقدير حجم المخاطر بصورة أولية.

المواصفات الواردة تتعلق بالاستخدامات الأساسية للأداة الكهربائية. أما إذا تم استخدام الأداة الكهربائية في تطبيقات أخرى مع أدوات شغل مخالفة للمواصفات أو دون صيانة كافية، ففي هذه الحالة قد تختلف المواصفات. وقد يزيد هذا من نسبة المخاطر طوال مدة العمل بصورة واضحة. وللوصول على تقدير دقيق لحجم المخاطر ينبغي أيضا مراعاة الأوقات التي يتم فيها إيقاف الجهاز أو التي يتم فيها تشغيل الجهاز ولكن دون استخدام حقيقي. وقد يقلل هذا من نسبة المخاطر طوال مدة العمل بصورة واضحة. احرص على اتخاذ إجراءات إضافية للسلامة من شأنها حماية المستخدم من تأثير الضجيج و/أو الاهتزازات مثل: صيانة الأداة الكهربائية وأدوات الشغل والمفاظ على الأيدي في حالة دافئة وتنظيم مراحل العمل.

## قيم الضجيج المنبعث

| SF 6H-22         | SF 6-22         |  |
|------------------|-----------------|--|
| 94.5 ديسيبل (A)  | 74.5 ديسيبل (A) | مستوى ضغط الصوت المنبعث ( $L_{pA}$ )       |
| 5 ديسيبل (A)     | 5 ديسيبل (A)    | نسبة التفاوت لمستوى ضغط الصوت ( $K_{pA}$ ) |
| 105.5 ديسيبل (A) | 85.5 ديسيبل (A) | مستوى شدة الصوت ( $L_{WA}$ )               |
| 5 ديسيبل (A)     | 5 ديسيبل (A)    | نسبة التفاوت لمستوى شدة الصوت ( $K_{WA}$ ) |





| SF 6H-22                  | SF 6-22                  |          |   |
|---------------------------|--------------------------|----------|---|
| 1.2 م/ثانية <sup>2</sup>  | 1.0 م/ثانية <sup>2</sup> | B 22-85  | قيمة الاهتزاز المنبعث للثقب في المعادن (a <sub>n,0</sub> )            |
| 1.1 م/ثانية <sup>2</sup>  | 0.7 م/ثانية <sup>2</sup> | B 22-170 |   |
| 1.5 م/ثانية <sup>2</sup>  | 1.5 م/ثانية <sup>2</sup> |          | نسبة التفاوت للثقب في المعادن (K)                                     |
| 11.9 م/ثانية <sup>2</sup> | •/•                      | B 22-85  | قيم الاهتزازات المنبعثة للثقب بالطرق في الخرسانة (a <sub>n,10</sub> ) |
| 10.6 م/ثانية <sup>2</sup> | •/•                      | B 22-170 |   |
| 1.5 م/ثانية <sup>2</sup>  | •/•                      |          | نسبة التفاوت للثقب بالطرق في الخرسانة (K)                             |

## 5 التحضير للعمل

### تحذير ⚠

خطر الإصابة من خلال التشغيل غير المقصود!

- تأكد قبل إدخال البطاريات أن الجهاز المختص مطفأ.
- اخلع البطارية قبل إجراء عمليات ضبط الجهاز أو تغيير أجزاء الملحقات التكميلية.

تراجع إرشادات الأمان والإرشادات التحذيرية الواردة في هذا المستند وعلى الجهاز.

### 1.5 شحن البطارية

1. قبل الشحن، قم بقراءة دليل استعمال جهاز الشحن.
2. احرص على أن تكون أطراف تلامس البطارية وجهاز الشحن نظيفة وجافة.
3. قم بشحن البطارية باستخدام شاحن مصرح به. ← صفحة 128

### 2.5 تركيب البطارية

#### تحذير ⚠

خطر الإصابة من خلال قفلة كهربائية أو سقوط البطارية!

- تأكد قبل تركيب البطاريات في الجهاز من عدم وجود أجسام غريبة بين أطراف توصيل البطارية والجهاز.
- تأكد من تثبيت البطارية بشكل صحيح دائماً.

1. اشحن البطارية لآخرها تماماً قبل التشغيل لأول مرة.
2. قم بتحرك البطارية في المنتج إلى أن تستقر في موضعها بصوت مسموع.
3. تفحص البطارية من حيث ثباتها في موضعها بشكل جيد.

### 3.5 خلع البطارية

1. اضغط على زر تحرير البطارية.
2. اسحب البطارية من المنتج.

### 4.5 تركيب المقبض الجانبي 2

#### احترس! ⚠

خطر الإصابة! فقدان السيطرة على المثقاب المطرفي.

- تأكد أن المقبض الجانبي مركب ومثبت بشكل سليم. تأكد من استقرار القامطات بشكل سليم في الحوز المخصصة لذلك.

1. أدر المقبض، وذلك لغرض فك قامطات المقبض الجانبي.
2. قم بتثبيت وسيلة تثبيت المقبض الجانبي بشكل كامل على الجسم وأدخل القامطات في الحوز المخصصة لذلك.
3. أدر المقبض لشد وسيلة تثبيت المقبض الجانبي.

### 5.5 تركيب أداة الشغل 3

1. افتح ملقمة الريش سريعة الربط.



2. قم بتركيب قطعة الشغل في ظرف تركيب الأدوات.
3. أحكم ربط ملقمة الريش سريعة الربط.
4. تأكد من الثبات الجيد لأداة الشغل.

## 6.5 تجهيزة الحماية من السقوط

### تحذير

- خطر الإصابة** من جراء أدوات الشغل و/أو الملحقات المتساقطة!
- ◀ اقتصر على استخدام حزام تثبيت أداة الشغل من Hilti الموصى به لمنتجك.
  - ◀ افحص نقطة تثبيت حزام تثبيت أداة الشغل قبل كل استخدام بحثاً عن الأضرار المحتملة.
  - ◀ لا تقم بتثبيت حزام تثبيت أداة الشغل على خطاف الحزام. لا تستخدم خطاف الحزام لرفع المنتج.

احرص على مراعاة اللوائح المحلية لبلدك للعمل على المرتفعات.

- اقتصر على استخدام توليفة مكونة من تجهيزة التأمين ضد السقوط Hilti مع حزام تثبيت أداة الشغل #2261970 من Hilti كتجهيزة حماية من السقوط مع هذا المنتج.
- ◀ قم بتثبيت تجهيزة التأمين ضد السقوط في فتحات تركيب الملحق. تحقق من التثبيت الآمن.
  - ◀ قم بتثبيت مشبك حزام تثبيت أداة الشغل على تجهيزة التأمين ضد السقوط والمشبك الثاني ببكل داعم. تحقق من التثبيت الآمن للمشبكين.

احرص على مراعاة دليل الاستعمال الخاص بتجهيزة التأمين ضد السقوط Hilti وأيضاً حزام تثبيت أداة الشغل Hilti.

## 6 الاستعمال

### احترس:

- خطر الإصابة بسبب إعاقة أداة الشغل !**
- ◀ تأكد أن المقبض الجانبي مركب ومثبت بشكل سليم. أمسك الجهاز دائماً بكلتا اليدين من المقابض المخصصة لذلك.
  - ◀ استخدم واقياً للعينين، للحماية من الشطايا المتطايرة من المادة.
- تراجع إرشادات الأمان والإرشادات التحذيرية الواردة في هذا المستند وعلى الجهاز.

### 1.6 اختيار السرعة

- ◀ اختر السرعة.

### 2.6 ضبط الدوران جهة اليمين/اليسار

- ◀ اضبط مفتاح تحويل الدوران جهة اليمين/اليسار حسب الدوران جهة اليمين أو اليسار.

### 3.6 التشغيل

- ◀ اضغط على مفتاح التحكم.
- ◀ يبدأ المنتج في العمل.

طبقاً لمق فجوة مفتاح التحكم يمكن ضبط عدد اللفات بسلاسة.

### 4.6 ربط وحل البراغي

- ◀ اضبط عزم الدوران المطلوب من خلال حلقة ضبط عزم الدوران والوظيفية.

### 5.6 الثقب

- ◀ اضبط حلقة ضبط عزم الدوران والأداء الوظيفي على



## 6.6 الثقب بالطرق 6

- اضبط حلقة ضبط عزم الدوران والأداء الوظيفي على **T**.

## 7.6 الإيقاف

- اترك مفتاح التحكم.
- يتوقف المنتج.

## 7 العناية والصيانة

## تحذير ⚠

## خطر الإصابة عند تكون البطارية مركبة!

- احرص على خلع البطارية دائما قبل جميع أعمال الإصلاح والعناية!

## العناية بالمنتج

- احرص على إزالة الاتساخات شديدة الالتصاق مع توخي الحرص.
- في حالة وجودها، قم بتنظيف فتحات التهوية بحرص باستخدام فرشاة جافة وناعمة.
- قم بتنظيف جسم المنتج باستخدام قطعة قماش مبللة بعض الشيء. لا تستخدم مواد عناية محتوية على سيليكون، نظراً لأنها قد تؤدي إلى تلف الأجزاء البلاستيكية.
- استخدم قطعة قماش نظيفة وجافة لتنظيف ملامسات المنتج.

## العناية ببطاريات أيونات الليثيوم

- لا تقم مطلقاً باستخدام بطارية ذات فتحات تهوية مسدودة. قم بتنظيف فتحات التهوية بحرص باستخدام فرشاة جافة وناعمة.
- تجنب تعريض البطارية للغبار أو الاتساخات دون داع. لا تقم مطلقاً بتعرض البطارية للرطوبة المرتفعة (على سبيل المثال، غمرها في الماء أو تركها تحت الأمطار).
- في حالة بلل البطارية، تعامل معها كبطارية تالفة. اعزل البطارية في وعاء غير قابل للاشتعال وتوجه إلى مركز خدمة Hilti.
- حافظ على البطارية خالية من الزيت والشحم الخارجي. لا تسمح للغبار أو الاتساخات بالتراكم دون داع على البطارية. قم بتنظيف البطارية باستخدام فرشاة جافة وناعمة أو قطعة قماش نظيفة وجافة. لا تستخدم مواد عناية محتوية على سيليكون، نظراً لأنها قد تؤدي إلى تلف الأجزاء البلاستيكية.
- لا تلمس ملامسات البطارية ولا تقم بإزالة الشحم الموجود من قبل المصنع عن الملامسات.
- قم بتنظيف جسم المنتج باستخدام قطعة قماش مبللة بعض الشيء. لا تستخدم مواد عناية محتوية على سيليكون، نظراً لأنها قد تؤدي إلى تلف الأجزاء البلاستيكية.

## الصيانة

- احرص بصورة منتظمة على فحص الأجزاء المرئية من حيث وجود أضرار وافحص عناصر الاستعمال من حيث كفاءتها الوظيفية.
- لا تقم بتشغيل الجهاز في حالة وجود أضرار وأو اختلالات وظيفية. احرص على إصلاح الجهاز على وجه السرعة لدى خدمة Hilti.
- بعد أعمال العناية والإصلاح قم بتركيب جميع تجهيزات الحماية وافحصها من حيث الأداء الوظيفي السليم.

للتشغيل الآمن اقتصر على استخدام قطع الغيار الأصلية وخامات الشغل. تجد قطع الغيار وخامات الشغل والملمحات المصراع بها من Hilti للمنتج الخاص بك في متجر Hilti Store أو على موقع الإنترنت: [www.hilti.group](http://www.hilti.group)

## 8 نقل وتخزين أدوات الشغل العاملة ببطارية والبطاريات

## النقل

## ⚠ احترس:

## التشغيل غير مقصود عند النقل!

- قم بنقل المنتج دائماً بدون البطاريات!
- اخلع البطارية/البطاريات.



- ◀ لا تقم بنقل البطاريات بكميات كبيرة. ينبغي أثناء النقل حماية البطاريات من الاصطدام العنيف والاهتزازات، وكذلك عزلها عن أية مواد موصلة للكهرباء أو أية بطاريات أخرى، وذلك حتى لا تتلامس مع أقطاب بطاريات أخرى ومن ثم حدوث قفلة كهربائية. **احرص على مراعاة تعليمات النقل المحلية للبطاريات.**
- ◀ لا يجوز إرسال البطاريات عن طريق البريد. توجه إلى شركة شحن، إذا كنت ترغب في إرسال بطاريات غير تالفة.
- ◀ افحص المنتج والبطاريات من حيث وجود أضرار قبل كل استخدام وقبل وبعد النقل لمسافة طويلة.

## التخزين



### أضرار غير مقصودة بسبب البطاريات التالفة أو التي بها تسريب.!

- ◀ قم بتخزين المنتج دائماً بدون البطاريات!
- ◀ احرص على تخزين المنتج والبطاريات في مكان بارد وجاف. احرص على مراعاة القيم الحدية لدرجات الحرارة الواردة في المواصفات الفنية.
- ◀ لا تحتفظ بالبطاريات على جهاز الشحن. قم دائماً بإزالة البطارية من الشاحن بعد انتهاء عملية الشحن.
- ◀ لا تقم أبداً بتخزين البطاريات تحت أشعة الشمس أو في مصادر الحرارة أو خلف الزجاج.
- ◀ احرص على تخزين المنتج والبطاريات والاحتفاظ به بعيداً عن تناول الأطفال والأشخاص غير المصرح لهم.
- ◀ افحص المنتج والبطاريات من حيث وجود أضرار قبل كل استخدام وقبل وبعد التخزين لفترة طويلة.

## 9 المساعدة في حالات الاختلالات

في حالات حدوث الاختلالات، قم بمراقبة بيان حالة الشحن وبيان الأخطاء للبطارية. انظر الفصل **بيانات بطارية أيونات الليثيوم**.  
عند حدوث اختلالات غير مذكورة في الجدول أو يتعذر عليك معالجتها بنفسك، فيرجى التوجه إلى مركز خدمة Hilti.

| الخلل   | السبب المحتمل  | الحل   |
|---|--|--|
| المنتج لا يعمل.                                 | البطارية غير مركبة بشكل سليم.                                  | ◀ قم بتركيب البطارية.<br>← صفحة 131  |
| لا يمكن الضغط على مفتاح التحكم أو المفتاح مقفل. | مفتاح تحويل الدوران يميناً/يساراً في الوضع الأوسط (وضع النقل). | ◀ اضبط مفتاح تحويل الدوران اليمين/اليسار حسب الدوران جهة اليمين أو اليسار.<br>← صفحة 132   |
| تنشأ سخونة شديدة في المنتج أو البطارية          | عطل كهربائي  | ◀ قم بإيقاف المنتج على الفور واخلع البطارية. ثم اتركها تبرد تحت مراقبتك. اتصل بخدمة Hilti. |
| لمبات LED بالبطارية لا تشير لشيء                | البطارية بها عطل   | ◀ توجه إلى مركز خدمة Hilti.  |
| يتعذر الثقب بالطرق.                             | وظيفة حلقة الضبط غير مضبوطة بشكل صحيح.                         | ◀ اضبط حلقة الضبط على وظيفة "الثقب بالطرق" .   |

## 10 التكيب



- ◀ **خطر الإصابة من جراء التكيب غير المطابق للتعليمات!** خطر على الصحة من جراء الغازات والسوائل المتسربة.
- ◀ لا تقم بإرسال أو توريد بطاريات تالفة!
- ◀ قم بتغطية التوصيلات باستخدام مادة غير موصلة للكهرباء وذلك لتجنب حدوث قفلات كهربائية.
- ◀ تخلص من البطاريات بحيث لا تصل إلى متناول الأطفال.
- ◀ تخلص من البطارية لدى متجر **Hilti Store** أو توجه إلى مركز التخلص من النفايات المختص.

منتجات مصنوعة بنسبة كبيرة من مواد قابلة لإعادة التدوير. يشترط لإعادة التدوير أن يتم فصل الغامات بشكل سليم فينيا. في كثير من الدول تقوم **Hilti** باستعادة جهازك القديم لإعادة الانتفاع به. توجه بأستلكتك لخدمة عملاء **Hilti** أو لمستشار المبيعات.



◀ لا تُلَق الأَدوات الكهربيّة، الأجهزّة الإلكترونيّة والبطاريات ضمن القمامة المنزليّة!



## 11 ضمان الجبة الصانعة

◀ في حالة وجود أية استفسارات بخصوص شروط الضمان، يرجى التوجه إلى وكيل Hilti المحلي التابع لك.

## 12 مزيد من المعلومات

تجد مزيداً من المعلومات حول الاستعمال والتقنية والبيئة وإعادة التدوير تحت الرابط التالي:  
[qr.hilti.com/manual/?id=2275217&id=2275219](http://qr.hilti.com/manual/?id=2275217&id=2275219)  
تجد هذا الرابط أيضاً في نهاية المستند ككود QR.



# オリジナル取扱説明書

## 1 文書について

### 1.1 本書について

- ご使用前に本書をすべてお読みください。このことは、安全な作業と問題のない取扱いのための前提条件となります。
- 本書および製品に記載されている安全上の注意と警告表示に注意してください。
- 取扱説明書は常に製品とともに保管し、他の人が使用する場合には、製品と取扱説明書を一緒にお渡しください。

### 1.2 記号の説明

#### 1.2.1 警告表示

警告表示は製品の取扱いにおける危険について警告するものです。以下の注意喚起語が使用されています：



**危険**

危険！

- ▶ この表記は、重傷あるいは死亡事故につながる危険性がある場合に注意を促すために使われます。



**警告**

警告！

- ▶ この表記は、重傷あるいは死亡事故につながる可能性がある場合に注意を促すために使われます。



**注意**

注意！

- ▶ この表記は、身体の負傷あるいは物財の損傷が発生する可能性がある場合に使われます。

#### 1.2.2 取扱説明書の記号

この取扱説明書では、以下の記号が使用されています：

|  |                                |
|--|--------------------------------|
|  | 取扱説明書に注意してください                 |
|  | 本製品を効率良く取り扱うための注意事項や役に立つ情報     |
|  | リサイクル可能な部品の取扱い                 |
|  | 電動工具およびバッテリーを一般ゴミとして廃棄してはなりません |
|  | Hilti Li-Ion バッテリー             |
|  | Hilti 充電器                      |

#### 1.2.3 図中の記号

図中では以下の記号が使用されています：

|  |   |
|--|---|
|  | この数字は本取扱説明書冒頭にある該当図を示しています。                 |
|  | 付番は図中の作業手順の順序に対応していて、本文の作業手順とは一致しない場合があります。 |
|  | 概要図には項目番号が付されていて、製品概要セクションの凡例の番号に対応しています。   |
|  | この記号は、製品の取扱いの際に特に注意が必要なことを示しています。           |



### 1.3 製品により異なる記号

#### 1.3.1 追加記号

本書および製品では、さらに以下の記号が使用されている場合があります：

|               |  |
|---------------|--|
|               | 回転のみ   |
|               | 回転 + 打撃 (打撃穿孔)   |
| $n_0$         | 無負荷回転数   |
| /min          | 毎分回転数  |
| $\varnothing$ | 直径   |
|               | 正逆回転機能   |
|               | 直流   |
| Li-Ion        | Li-Ion バッテリー   |
|               | 本製品は、iOS および Android プラットフォームと互換性のある NFC テクノロジーをサポートしています。 |
|               | バッテリーは決して打撃工具として使用しないでください。                                |
|               | バッテリーは落下させないでください。ぶつけたり、あるいはその他の理由で損傷しているバッテリーは使用しないでください。 |

### 1.4 製品情報

**HILTI** 製品はプロ仕様で製作されており、その使用、保守、修理を行うのは、認定を受けトレーニングされた人のみに限ります。これらの人は、遭遇し得る危険に関する情報を入手していなければなりません。製品およびアクセサリの使用法を知らない者による誤使用、あるいは規定外の使用は危険です。機種名および製造番号は銘板に表示されています。

- ▶ 製造番号を以下の表に書き写しておいてください。ヒルティ代理店やサービスセンターへお問い合わせの際には、製品データが必要になります。

#### 製品データ

|                       |                    |
|-----------------------|--------------------|
| ドリルドライバー   振動ドリルドライバー | SF 6-22   SF 6H-22 |
| 製品世代                  | 03                 |
| 製造番号                  |                    |

### 1.5 適合宣言

製造者は、単独の責任において本書で説明している製品が有効な法規と有効な標準規格に適合していることを宣言します。適合宣言書の複写は本書の末尾にあります。

技術資料は本書の後続の頁に記載されています：

Hilti Entwicklungsgesellschaft mbH | Zulassung Geräte | Hiltistraße 6 | 86916 Kaufering, DE

## 2 安全

### 2.1 電動工具の一般安全注意事項

**⚠ 警告事項** 本電動工具に付属のすべての安全上の注意、指示事項、図、および製品仕様をお読みください。以下の指示を守らないと、感電、火災および / または重傷事故の危険があります。

安全上の注意および指示事項が書かれた説明書はすべて大切に保管してください。

安全上の注意で使用する用語「電動工具」とは、お手持ちの電動ツール（電源コード使用）またはバッテリーツール（コードレス）を指します。



## 作業環境に関する安全

- ▶ 作業場はきれいに保ち、十分に明るくしてください。ちらかった暗い場所での作業は事故の原因となります。
- ▶ 爆発の危険性のある環境（可燃性液体、ガスおよび粉じんのある場所）では電動工具を使用しないでください。電動工具から火花が飛散し、粉じんや揮発性ガスに引火する恐れがあります。
- ▶ 電動工具の使用時、子供や無関係者を作業場へ近づけないでください。作業中に気がそらされると、本体のコントロールを失ってしまう恐れがあります。

## 電気に関する安全注意事項

- ▶ 電動工具の接続プラグは電源コンセントにきちんと適合しなければなりません。プラグは絶対に変更しないでください。保護接地した電動工具と一緒にアダプタープラグを使用しないでください。オリジナルのプラグと適切なコンセントを使用することにより、感電の危険を小さくすることができます。
- ▶ パイプ、ラジエーター、電子レンジ、冷蔵庫などのアースされた面に体の一部が触れないようにしてください。体が触れると感電の危険が大きくなります。
- ▶ 電動工具を雨や湿気から保護してください。電動工具に水が浸入すると、感電の危険が大きくなります。
- ▶ 電動工具を持ち運んだり、吊り下げたり、コンセントからプラグを抜いたりするときは、必ず本体を持ち、電源コードを持ったり引っ張ったりしないでください。電源コードを火気、オイル、鋭利な刃物、可動部等に触れる場所に置かないでください。電源コードが損傷したり絡まったりしていると、感電の危険が大きくなります。
- ▶ 屋外工事の場合には、必ず屋外専用の延長コードを使用してください。屋外専用の延長コードを使用すると、感電の危険が小さくなります。
- ▶ 湿った場所で電動工具を作業させる必要がある場合は、漏電遮断器を使用してください。漏電遮断器を使用すると、感電の危険が小さくなります。

## 作業者に関する安全

- ▶ 電動工具を使用の際は、油断せずに十分注意し、常識をもった作業をおこなってください。疲れている場合、薬物、医薬品服用およびアルコール飲用による影響下にある場合には電動工具を使用しないでください。電動工具使用中の一瞬の不注意が重傷の原因となることがあります。
- ▶ 個人用保護具および保護メガネを常に着用してください。負傷の危険を低減するために、電動工具の使用状況に応じた粉じんマスク、耐滑性の安全靴、ヘルメット、耳栓などの個人用保護具を着用してください。
- ▶ 電動工具の意図しない始動を防止して下さい。電動工具を電源および / またはバッテリーに接続する前や本体を持ち上げたり運んだりする前に、本体がオフになっていることを必ず確認してください。オン / オフスイッチが入っている状態で電動工具のスイッチに指を掛けたまま運んだり、電源に接続したりすると、事故の原因となる恐れがあります。
- ▶ 電動工具のスイッチを入れる前に、必ず調節キーやレンチを取り外してください。調節キーやレンチが本体の回転部に装着されたままでは、けがの原因となる恐れがあります。
- ▶ 作業中は不安定な姿勢をとらないでください。足元を安定させ、常にバランスを保つようにしてください。これにより、万一電動工具が異常状況に陥った場合にも、適切な対応が可能となります。
- ▶ 作業に適した作業着を着用してください。だぶだぶの衣服や装身具を着用しないでください。髪、衣服、手袋を本体の可動部に近づけないでください。だぶだぶの衣服、装身具、長い髪が可動部に巻き込まれる恐れがあります。
- ▶ 吸じんシステムの接続が可能な場合には、これらのシステムが適切に接続、使用されていることを確認してください。吸じんシステムを利用することにより、粉じん公害を防げます。
- ▶ 電動工具の取扱いに熟練している場合にも、正しい安全対策を遵守し、電動工具に関する安全規則を無視しないでください。不注意な取扱いは、ほんの一瞬で重傷事故を招くことがあります。

## 電動工具の使用および取扱い

- ▶ 無理のある使用を避けてください。作業用途に適した電動工具を使用してください。適切な電動工具の使用により、効率よく、スムーズかつ安全な作業が行えます。
- ▶ スwitchが故障している場合には、電動工具を使用しないでください。Switchで始動および停止操作のできない電動工具は危険ですので、修理が必要です。
- ▶ 本体の設定やアクセサリーの交換を行う前や本体を保管する前には電源プラグをコンセントから抜き、および / または脱着式のバッテリーを取り外してください。この安全処置により、電動工具の意図しない始動を防止することができます。
- ▶ 電動工具をご使用にならない場合には、子供の手の届かない場所に保管してください。電動工具に関する知識のない方、本説明書をお読みでない方による本体のご使用は避けてください。未経験者による電動工具の使用は危険です。
- ▶ 電動工具とアクセサリーは慎重に手入れしてください。可動部分が引っ掛かりなく正常に作動しているか、電動工具の運転に影響を及ぼす各部分が破損・損傷していないかを確認してください。電動工具をご使用になる前に、損傷部分の修理を依頼してください。事故の多くは保守管理の不十分な電動工具の使用が原因となっています。





- ▶ 先端工具は鋭利で汚れのない状態を保ってください。お手入れのゆきとどいた先端工具を使用すると、作業が簡単かつ、スムーズになります。
- ▶ 電動工具、アクセサリ、先端工具などは、それらの説明書に記載されている指示に従って使用してください。その際は、作業環境および用途についてもご注意ください。指定された用途以外に電動工具を使用すると危険な状況をまねく恐れがあります。
- ▶ グリップとグリップ面は乾燥した清潔な状態に保ち、オイルやグリスの付着がないようにしてください。グリップやグリップ面が滑りやすい状態になっていると、予期していない状況が発生した際に電動工具を安全に使用 / 制御できません。

#### バッテリー工具の使用および取扱い

- ▶ バッテリーを充電する場合は、必ずメーカー推奨の充電器を使用してください。特定タイプのバッテリー専用の充電器を他のバッテリーに使用すると、火災の恐れがあります。
- ▶ 電動工具には、必ず指定されたバッテリーを使用してください。指定以外のバッテリーを使用すると、負傷や火災の恐れがあります。
- ▶ 使用されていないバッテリーの近くに、事務用クリップ、硬貨、キー、釘、ネジ、その他の小さな金属物を置かないでください。電気接点の短絡が起こることがあります。バッテリーの電気接点間が短絡すると、火傷や火災が発生する危険があります。
- ▶ 正しく使用しないと、液漏れが発生することがあります。その場合、漏れた液には触れないでください。もしも触れてしまった場合は、水で洗い流してください。バッテリー液が眼に入った場合は、水で洗い流してから医師の診察を受けてください。流出したバッテリー液により、皮膚が刺激を受けたり火傷を負う恐れがあります。
- ▶ 損傷したあるいは変更が加えられたバッテリーは使用しないでください。損傷したあるいは変更が加えられたバッテリーは、予測不可能な挙動により爆発あるいは負傷事故を発生させる危険があります。
- ▶ バッテリーは火気あるいは高温に曝さないでください。火気あるいは 130 °C (265 °F) を超える高温は、爆発の原因となります。
- ▶ 充電に関するすべての指示事項に従い、バッテリーあるいはバッテリー工具は、決して取扱説明書に記載された温度範囲外で充電しないでください。正しくない充電あるいは許容温度範囲外での充電により、バッテリーが破壊され火災が発生する危険があります。

#### サービス

- ▶ 電動工具の修理は必ず認定サービスセンターにお申し付けください。また、必ず純正部品を使用してください。これにより電動工具の安全性が確実に維持されます。
- ▶ 損傷したバッテリーは決して手入れや保守を行わないでください。バッテリーの保守作業はすべて、メーカーあるいは権限のあるお客様サービスセンターが行うものとします。

## 2.2 ドリルに関する安全上の注意

### すべての作業に関する安全上の注意

- ▶ 打撃 + 回転の際は耳栓を着用してください。騒音により、聴覚に悪影響が出る恐れがあります。
- ▶ 補助グリップを使用してください。コントロールを失うと負傷の危険があります。
- ▶ 隠れた電線に先端工具またはねじが接触する可能性のある作業を行う場合は、電動工具を絶縁されたグリップ面で保持するようにしてください。通電しているケーブルと接触すると、本体の金属部分にも電圧がかかり、感電の危険があります。

### 長いドリルビットを使用する際の安全上の注意

- ▶ 決してドリルビットの最大許容回転数を超過する回転数で作業しないでください。回転数が高くてドリルビットが作業材料と接触せず自由に回転できると、ドリルビットは簡単に曲がってしまふことがあり、これが負傷の原因となることがあります。
- ▶ 穿孔作業は、常にドリルビットが作業材料と接触している状態で低い回転数から始めるようにしてください。回転数が高くてドリルビットが作業材料と接触せず自由に回転できると、ドリルビットは簡単に曲がってしまふことがあり、これが負傷の原因となることがあります。
- ▶ 過度な力を加えず、常にドリルビットの縦方向にのみ力が作用するようにしてください。ドリルビットは曲がって折れてしまふこと、あるいはコントロールを失って負傷の原因となることがあります。

## 2.3 スクリュードライバーに関するその他の安全上の注意

- ▶ 本製品とアクセサリは、必ず技術的に問題のない状態で使用してください。
- ▶ 本製品あるいはアクセサリには、決して加工や改造を加えないでください。
- ▶ 作業を開始する前に、作業領域に埋設された電線、ガス管や水道管がないかを調査してください。電線、ガス管あるいは水道管を損傷すると、本製品外側の金属部分での感電事故、あるいは爆発が発生する可能性があります。



- ▶ 研磨、紙やすり研磨、切断および穿孔の際に発生する粉じんは、化学物質を含んでいる場合があります。これには、鉛、あるいは鉛ベースの塗料、レンガ、コンクリートおよびその他の壁用資材、自然石およびその他の珪酸塩含有製品、樫、樺などの特定の木材、および化学処理の施された木材、アスベストあるいはアスベストが含まれる母材、などが考えられます。作業対象の資材の危険等級により、作業者および周囲の人員の曝露を確認してください。曝露を安全なレベルに維持するために、粉じん吸引システムの使用、あるいは適切な防じんマスクの着用などの必要な処置を取ってください。曝露の低減のための一般的な処置としては、以下のようなものがあります：
  - ▶ 十分に換気された領域での作業
  - ▶ 粉じんと長時間の接触の回避
  - ▶ 粉じんを顔や体から遠ざける
  - ▶ 保護服を着用し、水と石鹸で曝露領域を洗浄する
- ▶ 落下する先端工具および / またはアクセサリーによる負傷の危険。作業を開始する前に、バッテリーおよび取り付けられたアクセサリーが確実に固定されていることを確認してください。
- ▶ 剥がし作業の場合には、作業側と反対の領域を保護してください。剥がれた部分が脱落、落下して他人を傷つける危険があります。
  - ▶ 本製品を使用している作業において、突然の壁崩壊によりバランスを失う可能性があります。壁面あるいは天井での開削作業の際は、足場が確実であることとバランスに注意してください。
- ▶ 切れ味が悪いビットは使用しないでください。
- ▶ 製品と一緒に納品された補助ハンドルを使用してください。コントロールを失うとけがをする恐れがあります。補助グリップが正しい位置に確実に取り付けられていることを確認してください。
- ▶ 本製品は、作業位置に運んでからスイッチを入れるようにしてください。
- ▶ 本製品は、常に両手でグリップを握ってしっかりと保持してください。グリップは乾燥した清潔な状態を保ってください。
- ▶ 通気溝は常にふさがないようにしてください。通気溝が覆われることによる火傷の危険！
- ▶ 回転部品に触れないでください - 負傷の危険！
- ▶ 本製品の使用時には、アイシールド、保護ヘルメット、耳栓、および適切な防じんマスクを着用してください。
- ▶ アイシールドを着用してください。破片が身体の一部、眼などを傷つけることもあります。
- ▶ 製品のランプ (LED) を直接のぞき込んだり、LED で他の人の顔を照射したりしないでください。眼がくらむ恐れがあります。
- ▶ 頻繁に休憩を取って、指を動かして血行を良くするように心がけてください。長時間作業の際には、強い振動により指、手あるいは手首の関節の血管あるいは神経系に障害が発生する可能性があります。
- ▶ 本製品は停止するまで置かなくてください。
- ▶ 先端工具の交換時には保護手袋を着用してください。先端工具に触れると、切創事故や火傷の原因となることがあります。

## 2.4 バッテリーの慎重な取扱いおよび使用

- ▶ **Li-Ion** バッテリーの安全な取扱いと使用のために、以下の安全上の注意を遵守してください。これを守らないと、皮膚の炎症、重篤な腐食負傷、化学火傷、火災および / あるいは爆発の原因となることがあります。
- ▶ バッテリーは、必ず技術的に問題のない状態で使用してください。
- ▶ 損傷を防止して健康にとってきわめて危険なバッテリー液の漏出を防ぐため、バッテリーは慎重に取り扱ってください！
- ▶ バッテリーは決して改造したり手を加えたりしないでください！
- ▶ バッテリーを分解したり、挟んだり、80°C (176°F) 以上に加熱したり、燃やしたりしないでください。
- ▶ ぶつかけたり、あるいはその他の損傷を受けたバッテリーは、使用したり充電したりしないでください。バッテリーは、損傷の痕跡がないか定期的に点検してください。
- ▶ リサイクルあるいは修理されたバッテリーは、決して使用しないでください。
- ▶ バッテリーまたはバッテリー式電動工具は、決して打撃工具として使用しないでください。
- ▶ バッテリーは、決して直射日光、高温、火花の発生、裸体に曝さないでください。これを守らないと、爆発の原因となることがあります。
- ▶ バッテリーの電極に、指、工具、装身具あるいはその他の導電性のある物体で触れないようにしてください。これを守らないと、バッテリーの損傷、物財の損傷および負傷の原因となることがあります。
- ▶ バッテリーを雨、湿気、液体から保護してください。バッテリー内に湿気が入り込むと、短絡、感電、火傷、火災あるいは爆発の原因となることがあります。
- ▶ 必ずご使用のバッテリータイプ用に指定された充電器と電動工具を使用してください。これについては、充電器や電動工具の取扱説明書の記述を確認してください。
- ▶ バッテリーは、爆発の可能性がある場所で使用あるいは保管しないでください。



- ▶ バッテリーが掴むことのできないほどに熱くなっている場合は、故障している可能性があります。バッテリーを、目視確認が可能で可燃物のない場所に、可燃性の資材から十分な距離を設けて置いてください。バッテリーを冷ます。1時間の経過後も掴むことのできないほどに熱い場合は、そのバッテリーは故障している可能性があります。**Hilti** サービスセンターにご連絡いただくか、あるいは「**Hilti** の Li-Ion バッテリーの安全と使用についての注意事項」をお読みください。

**i** Li-Ion バッテリーの搬送、保管および使用に適用される特別の規則を遵守してください。→ 頁 146  
本取扱説明書巻末の QR コードをスキャンして、**Hilti** の Li-Ion バッテリーの安全と使用についての注意事項をお読みください。

### 3 製品の説明

#### 3.1 製品概要



- ① クイックリリースチャック
- ② トルクおよび機能の設定リング
- ③ サイドハンドル
- ④ 速度選択スイッチ
- ⑤ スイッチインターロック付き正回転 / 逆回転切り替えスイッチ
- ⑥ コントロールスイッチ (回転数電子制御式)
- ⑦ グリップ
- ⑧ 作業用照明 (LED)
- ⑨ アクセサリーの取り付用開口部
- ⑩ バッテリー
- ⑪ バッテリーロック解除ボタン
- ⑫ バッテリーステータス表示

#### 3.2 正しい使用

本書で説明している製品は、手持ち式の充電式ドリルドライバーです。この製品は、鋼材、木材、プラスチック、軽量コンクリート、レンガへの穿孔、およびねじの取付け / 取外しのためのものです。

- 本製品には、必ず**Hilti** Nuron の B 22 シリーズの Li-Ion バッテリーを使用してください。最適な出力を得るため、**Hilti** は本製品に対して本取扱説明書の巻末の表に記載されているバッテリーをお勧めします。
- これらのバッテリーには、必ず本取扱説明書の巻末の表に記載されているシリーズの**Hilti** の充電器を使用してください。

#### 3.3 ATC

製品は、アクティブトルクコントロールATC (Active Torque Control) を装備しています。先端工具がブロックしたりあるいは嘯むと、製品は突然に作業者の操作によらずに反対方向へ回転します。ATC は製品のこの突然の回転動作を検知し、製品を直ちにオフにします。

- i** 正しく作動するためには製品が回転できる必要があります。  
シャットオフ機能が正常に作動した後は、製品をオフにして再びオンにします。

#### 3.4 過負荷および過熱インジケータ

本製品には電子過負荷保護機構および過熱保護機構が装備されています。過負荷あるいは過熱の際、本製品は自動的にオフになります。コントロールスイッチを放して押し直すと、オンになるまでに時間がかかる場合があります (製品の冷却段階)。



### 3.5 Li-Ion バッテリーのインジケータ

Hilti Nuron Li-Ion バッテリーは、充電状態、エラーメッセージ、およびバッテリーの状態を表示することができます。

#### 3.5.1 充電状態およびエラーメッセージの表示



警告

負傷の危険 バッテリーの落下！

- ▶ バッテリーを装着した状態でリリースボタンを押した後は、バッテリーを確実に正しく使用する製品に再ロックするようにしてください。

次の表示を確認するには、バッテリーのリリースボタンを短く押してください。

充電状態および不具合は、接続されている製品がオンになっている間常時表示されます。

| 状態                      | 意味  |
|-------------------------|---|
| 4 個の LED (4) が常時緑色で点灯   | 充電状態 : 100 %...71 %   |
| 3 個の LED (3) が常時緑色で点灯   | 充電状態 : 70 %...51 %  |
| 2 個の LED (2) が常時緑色で点灯   | 充電状態 : 50 %...26 %  |
| 1 個の LED (1) が常時緑色で点灯   | 充電状態 : 25 %...10 %  |
| 1 個の LED (1) がゆっくり緑色で点滅 | 充電状態 : < 10 %   |
| 1 個の LED (1) が高速で緑色で点滅  | Li-Ion バッテリーは完全に放電しています。バッテリーを充電してください。<br>バッテリーの充電の後にも LED が高速で点滅する場合は、Hilti サービスセンターにご連絡ください。   |
| 1 個の LED (1) が高速で黄色で点滅  | Li-Ion バッテリーまたは接続されている製品が過負荷、過熱、低温の状態にあるか、あるいはその他の不具合が発生しています。<br>製品とバッテリーを推奨動作温度にし、使用時に製品が過負荷にならないようにしてください。<br>メッセージが引き続き出力される場合は、Hilti サービスセンターにご連絡ください。 |
| 1 個の LED (1) が黄色で点灯     | Li-Ion バッテリーとそれと接続されている製品とに互換性がありません。Hilti サービスセンターにご連絡ください。  |
| 1 個の LED (1) が高速で赤色で点滅  | Li-Ion バッテリーはロックされていて、使用できません。Hilti サービスセンターにご連絡ください。   |

#### 3.5.2 バッテリーの状態に関する表示

バッテリーの状態を確認するには、リリースボタンを 3 秒を超えて押し続けてください。システムは、落下、異物の貫入、外部の熱源による損傷などの誤った使用に起因するバッテリーの機能異常については検知しません。

| 状態  | 意味  |
|---|---|
| すべての LED がチェイサーライトとして点灯し、続いて 1 個の LED (1) が常時緑色で点灯。 | バッテリーは引き続き使用することができます。  |
| すべての LED がチェイサーライトとして点灯し、続いて 1 個の LED (1) が速く黄色で点滅。 | バッテリーの状態確認を終了することができませんでした。手順を繰り返すか、Hilti サービスセンターにご連絡ください。   |
| すべての LED がチェイサーライトとして点灯し、続いて 1 個の LED (1) が常時赤色で点灯。 | 接続されている製品を引き続き使用できる場合、バッテリーの残り容量は 50% 未満です。<br>接続されている製品を引き続き使用することができない場合、バッテリーは寿命に達していて交換の必要があります。Hilti サービスセンターにご連絡ください。 |

### 3.6 本体標準セット構成

ドリルドライバー、サイドハンドル、取扱説明書。



その他の本製品用に許可されたシステム製品については、弊社営業担当またはHilti Store にお問い合わせいただくか、あるいはwww.hilti.groupでご確認ください。

## 4 製品仕様

|                                     |     | SF 6-22              | SF 6H-22             |
|-------------------------------------|-----|----------------------|----------------------|
| 定格電圧                                |     | 21.6 V <sub>DC</sub> | 21.6 V <sub>DC</sub> |
| EPTA Procedure 01 に準拠した重量 (バッテリーなし) |     | 2.0 kg               | 2.0 kg               |
| 全負荷回転数                              | 1 速 | 0/min ... 490/min    | 0/min ... 490/min    |
|                                     | 2 速 | 0/min ... 2,000/min  | 0/min ... 2,000/min  |
| トルク (軟材質ネジ用) $\frac{1}{2}$          |     | ≤ 65 Nm              | ≤ 65 Nm              |
| 全負荷打撃数                              |     | */*                  | 36,000/min           |
| 作動時の周囲温度                            |     | -17 °C ... 60 °C     | -17 °C ... 60 °C     |
| 保管温度                                |     | -20 °C ... 70 °C     | -20 °C ... 70 °C     |

### 4.1 バッテリー

|               |                    |
|---------------|--------------------|
| バッテリー作動電圧     | 21.6 V             |
| バッテリー重量       | 本取扱説明書の巻末を参照してください |
| 作動時の周囲温度      | -17 °C ... 60 °C   |
| 保管温度          | -20 °C ... 40 °C   |
| 充電開始時のバッテリー温度 | -10 °C ... 45 °C   |

### 4.2 先端工具の許容直径

|                             | SF 6-22          | SF 6H-22         |
|-----------------------------|------------------|------------------|
| クイックリリースチャックのクランプ範囲Ø        | 1.5 mm ... 13 mm | 1.5 mm ... 13 mm |
| Ø 木工用ドリルビット (ハード)           | 1.5 mm ... 20 mm | 1.5 mm ... 20 mm |
| Ø 木工用ドリルビット (ソフト)           | 1.5 mm ... 32 mm | 1.5 mm ... 32 mm |
| Ø 鉄工用ドリルビット                 | 1.5 mm ... 13 mm | 1.5 mm ... 13 mm |
| Ø コンクリート / 石材への穿孔 (打撃 + 回転) | */*              | 4 mm ... 12 mm   |

### 4.3 騒音および振動値について (EN 62841 準拠)

本説明書に記載されているサウンドプレッシャー値および振動値は、規格に準拠した測定方法に基づいて測定したものです。電動工具を比較するのにご使用いただけます。曝露値の暫定的な予測にも適しています。記載されているデータは、電動工具の主要な使用方法に対する値です。電動工具を他の用途で使用したり、異なる先端工具を取り付けて使用したり、手入れや保守が十分でないまま使用した場合には、データが異なることがあります。このような相違により、作業時間全体で曝露値が著しく高くなる可能性があります。曝露値を正確に予測するためには、本体のスイッチをオフにしている時間や、本体が作動していても実際には使用していない時間も考慮しなければなりません。このような相違により、作業時間全体で曝露値が著しく低くなる可能性があります。

作業者を騒音および / または振動による作用から保護するために、他にも安全対策を立ててください (例 : 電動工具および先端工具の手入れや保守、手を冷やさないようにする、作業手順の編成)。

#### 騒音排出値

|                                       | SF 6-22    | SF 6H-22    |
|---------------------------------------|------------|-------------|
| 排出サウンドプレッシャーレベル (L <sub>PA</sub> )    | 74.5 dB(A) | 94.5 dB(A)  |
| サウンドプレッシャーレベルの不確実性 (K <sub>PA</sub> ) | 5 dB(A)    | 5 dB(A)     |
| サウンドパワーレベル (L <sub>WA</sub> )         | 85.5 dB(A) | 105.5 dB(A) |
| サウンドパワーレベルの不確実性 (K <sub>WA</sub> )    | 5 dB(A)    | 5 dB(A)     |



|                                      |          | SF 6-22              | SF 6H-22              |
|--------------------------------------|----------|----------------------|-----------------------|
| 金属への穿孔の排出振動値 ( $a_{h, D}$ )          | B 22-85  | 1.0 m/s <sup>2</sup> | 1.2 m/s <sup>2</sup>  |
|                                      | B 22-170 | 0.7 m/s <sup>2</sup> | 1.1 m/s <sup>2</sup>  |
| 金属への穿孔の不確実性 (K)                      |          | 1.5 m/s <sup>2</sup> | 1.5 m/s <sup>2</sup>  |
| コンクリートへの回転 + 打撃の排出振動値 ( $a_{h, D}$ ) | B 22-85  | */*                  | 11.9 m/s <sup>2</sup> |
|                                      | B 22-170 | */*                  | 10.6 m/s <sup>2</sup> |
| コンクリートへの回転 + 打撃の不確実性 (K)             |          | */*                  | 1.5 m/s <sup>2</sup>  |

## 5 作業準備

### 警告

負傷の危険 意図しない始動！

- ▶ バッテリーを装着する前に、バッテリーを装着する製品のスイッチがオフになっていることを確認してください。
- ▶ 本体の設定、またはアクセサリーの交換の前にバッテリーを取り外してください。

本書および製品に記載されている安全上の注意と警告表示に注意してください。

### 5.1 バッテリーを充電する

1. 充電の前に充電器の取扱説明書をお読みください。
2. バッテリーと充電器の電気接点は汚れがなく、乾燥していることを確認してください。
3. バッテリーは許可された充電器で充電してください。→ 頁 141

### 5.2 バッテリーを装着する

#### 警告

負傷の危険 短絡あるいはバッテリーの落下！

- ▶ バッテリーを装着する前に、バッテリーの電気接点と製品の電気接点に異物がないことを確認してください。
- ▶ バッテリーが正しくロックされていることを常に確認してください。

1. はじめてお使いになる前にバッテリーをフル充電してください。
2. ロックの音が聞こえるまでバッテリーを製品へとスライドさせます。
3. バッテリーがしっかりと装着されていることを確認してください。

### 5.3 バッテリーを取り外す

1. バッテリーのリリースボタンを押します。
2. 製品からバッテリーを抜き取ります。

### 5.4 サイドハンドルを取り付ける

#### 注意

負傷の危険！ ロータリーハンマードリルのコントロールの喪失。

- ▶ サイドハンドルが正しく取り付けられ、しっかりと固定されていることを確認してください。クランプが溝に正しくはまっていることを確認してください。

1. グリップを回してサイドハンドルのクランプを緩めます。
2. サイドハンドルのホルダーを完全に本体に取り付け、クランプをスライドさせて溝はめ込みます。
3. グリップを回してサイドハンドルのホルダーを張ります。

### 5.5 先端工具を装着する

1. クイックリリースチャックを開きます。
2. 先端工具をチャックに差し込みます。
3. クイックリリースチャックを回してしっかりと締めます。
4. 先端工具がしっかりと固定されているか確認します。



## 5.6 転倒防止装置



### 警告

**負傷の危険** 先端工具および / あるいはアクセサリーの落下！

- ▶ 必ずご使用の製品用に推奨されているHiltiの工具保持ロープを使用してください。
- ▶ 使用前の毎回、工具保持ロープの固定ポイントに損傷がないか点検してください。
- ▶ 工具保持ロープをベルトフックに固定しないでください。ベルトフックを製品を持ち上げるために使用しないでください。



ご使用の国において適用される高所での作業に関する規則に注意してください。

本製品の落下防止には、必ずHiltiの落下暴発防止装置およびHiltiの工具保持ロープ#2261970を組み合わせて使用してください。

- ▶ 落下暴発防止装置をアクセサリー用の取り付け開口部に固定してください。しっかりと固定されていることを確認してください。
- ▶ 工具保持ロープのスナップフックを落下暴発防止装置に固定し、第2のスナップフックを支持構造物に固定します。両方のスナップフックがしっかりと固定されていることを確認してください。



Hilti 落下暴発防止装置およびHilti 工具保持ロープの取扱説明書の記載に注意してください。

## 6 ご使用方法



### 注意

**先端工具のブロックによる負傷の危険！**

- ▶ サイドハンドルが正しく取り付けられ、しっかりと固定されていることを確認してください。本製品は、常に両手でグリップを握ってしっかりと保持してください。
- ▶ 母材の破片に対する保護としてアイシールドを使用してください。

本書および製品に記載されている安全上の注意と警告表示に注意してください。

### 6.1 速度を選択する

- ▶ 速度を選択します。

### 6.2 正逆回転を設定する

- ▶ 正回転 / 逆回転切り替えスイッチを正回転あるいは逆回転位置にします。

### 6.3 スイッチオン

- ▶ コントロールスイッチを操作します。
  - ▶ 製品が作動します。




コントロールスイッチを押す深さにより回転数を無段階に調整することができます。


### 6.4 ねじ締め

- ▶ トルクおよび機能の設定リングで必要なトルクを設定します。

### 6.5 穿孔 (回転のみ)

- ▶ トルクおよび機能の設定リングを  に合わせます。

### 6.6 打撃 + 回転

- ▶ トルクおよび機能の設定リングを  に合わせます。



## 6.7 スイッチオフ

- ▶ コントロールスイッチから指を放します。
  - ▶ 製品がスイッチオフになります。

## 7 手入れと保守



### 警告

バッテリーを装着した状態における負傷の危険！

- ▶ 手入れや保守作業の前に必ずバッテリーを取り外してください！

### 製品の手入れ

- 付着した汚れを慎重に除去してください。
- 汚れが付着している場合は、通気溝を乾いた柔らかいブラシを使用して慎重に掃除してください。
- 必ず少し湿した布でハウジングを拭いてください。シリコンを含んだ磨き粉はプラスチック部品をいためる可能性があるため使用しないでください。
- 本製品の電気接点を清掃するには、清潔な乾いた布を使用してください。

### Li-Ion バッテリーの手入れ

- 通気溝が詰まっているバッテリーは決して使用しないでください。通気溝を乾いた柔らかいブラシを使用して慎重に掃除してください。
- バッテリーを不必要に粉じんや汚れに曝さないようにしてください。バッテリーは、決して高い湿度に曝さないでください（例：水中に沈める、あるいは雨中に放置する）。水分が浸入したバッテリーは、損傷したものとして取り扱ってください。そのようなバッテリーは不燃性の容器に隔離し、Hilti サービスセンターにご連絡ください。
- バッテリーには、本製品に使用しているのではないオイルやグリスが付着しないようにしてください。バッテリーに不必要な粉じんあるいは汚れが堆積しないようにしてください。バッテリーは、乾いた柔らかいブラシまたは乾いた布で清掃してください。シリコンを含んだ磨き粉はプラスチック部品をいためる可能性があるため使用しないでください。バッテリーの電気接点に手を触れないでください、また、工場出荷時に塗布されているグリスを電気接点からぬぐい取らないでください。
- 必ず少し湿した布でハウジングを拭いてください。シリコンを含んだ磨き粉はプラスチック部品をいためる可能性があるため使用しないでください。

### 保守

- 目視確認可能なすべての部品については損傷の有無を、操作エレメントについては問題なく機能することを定期的に点検してください。
- 損傷および/または機能に問題のある場合は、本製品を使用しないでください。速やかにHilti サービスセンターに本製品の修理を依頼してください。
- 手入れおよび保守作業の後には、すべての安全機構を取り付けて、それらが問題なく作動するか点検してください。



安全な作動のために、必ず純正のスペアパーツと消耗品を使用してください。本製品向けにHilti が承認したスペアパーツ、消耗品およびアクセサリは、弊社営業担当またはHilti Store お問い合わせいただくか、あるいは[www.hilti.group](http://www.hilti.group)

## 8 バッテリー式工具およびバッテリーの搬送および保管

### 搬送



### 注意

搬送時の予期しない始動！

- ▶ お使いの製品は、必ずバッテリーを装着していない状態で搬送してください！
- ▶ バッテリーを取り外してください。
- ▶ バッテリーは決して梱包しない状態で搬送しないでください。搬送中のバッテリーは、他のバッテリー電極と接触して短絡の原因となることを防ぐために、過大な衝撃や振動から保護し、あらゆる導電性の物体あるいは他のバッテリーから隔離する必要があります。バッテリーの搬送に関する各国（地域）の規則を遵守してください。
- ▶ バッテリーは郵送しないでください。損傷していないバッテリーを送付する場合は、運送業者を手配してください。





- ▶ 使用の前にその都度、また長距離の搬送の前には、製品とバッテリーに損傷がないか点検してください。

### 保管上の注意事項

#### 警告

故障したあるいは液漏れしたバッテリーによる予期しない損傷！

- ▶ お使いの製品は、必ずバッテリーを装着していない状態で保管してください！

- ▶ 製品とバッテリーは涼しく乾燥した場所に保管してください。製品仕様に記載されている温度の限界値に注意してください。
- ▶ バッテリーは充電器内で保管しないでください。充電の後は、必ずバッテリーを充電器から取り出してください。
- ▶ バッテリーを太陽の直射下、熱源の上、窓際等で保管しないでください。
- ▶ 製品およびバッテリーは、子供や権限のない人が手を触れることのないようにして保管してください。
- ▶ 使用の前にその都度、また長期にわたる保管の前には、製品とバッテリーに損傷がないか点検してください。

## 9 故障時のヒント

すべての不具合において、バッテリーの充電状態および故障インジケータを確認してください。Li-Ionバッテリーのインジケータの章を参照してください。

この表に記載されていない、あるいはご自身で解消することのできない故障が発生した場合には、弊社営業担当またはHilti サービスセンターにご連絡ください。

| 故障                        | 考えられる原因                                | 解決策  |
|---------------------------|--|--|
| 製品が作動しない。                 | バッテリーが正しく装着されていない。                     | ▶ バッテリーを装着します。<br>→ 頁 144  |
| コントロールスイッチが押せない、あるいは動かない。 | 正回転 / 逆回転切り替えスイッチが中立位置 (トランスポートロック位置)。 | ▶ 正回転 / 逆回転切り替えスイッチを正回転あるいは逆回転位置にします。→ 頁 145                               |
| 製品あるいはバッテリーが非常に熱くなる       | 電氣的故障                                  | ▶ 製品を直ちにオフにし、バッテリーを取り外してください。バッテリーを監視しながら冷ましてください。Hilti サービスセンターに連絡してください。 |
| バッテリーの LED に何も表示されない      | バッテリーの故障                               | ▶ Hilti サービスセンターにご連絡ください。  |
| SF 6H-22<br>打撃 + 回転が不可能。  | 設定リングで機能が正しく設定されていない。                  | ▶ 設定リングを「打撃 + 回転」 機能に設定する。   |

## 10 廃棄

#### 警告

誤った廃棄による負傷の危険！ 漏出するガスあるいはバッテリー液により健康を損なう危険があります。

- ▶ 損傷したバッテリーを送付しないでください！
- ▶ 短絡を防止するために接続部を非導電性のもので覆ってください。
- ▶ バッテリーは子供が手を触れることのないように廃棄してください。
- ▶ バッテリーの廃棄は、最寄りのHilti Store あるいは適切な廃棄物処理業者に依頼してください。

Hilti 製品の大部分の部品はリサイクル可能です。リサイクル前にそれぞれの部品は分別して回収されなければなりません。多くの国でHilti は、古い工具をリサイクルのために回収しています。詳細については弊社営業担当またはHilti 代理店・販売店にお尋ねください。



- ▶ 電動工具、電子機器およびバッテリーを一般ゴミとして廃棄してはなりません！



## 11 メーカー保証

▶ 保証条件に関するご質問は、最寄りのHilti 代理店・販売店までお問い合わせください。

## 12 その他の情報

ご使用方法、技術、環境保護およびリサイクルに関するその他の情報については、[qr.hilti.com/manual/?id=2275217&id=2275219](http://qr.hilti.com/manual/?id=2275217&id=2275219) のリンクをご確認ください。

このリンクは、本書の巻末にも QR コードとして記載されています。

# 오리지널 사용 설명서

## 1 문서 관련 기재사항

### 1.1 본 문서에 대해

- 처음 사용하기 전에 본 문서 전체를 읽으십시오. 안전하게 작업하고 문제 없이 취급하기 위한 전제가 됩니다.
- 본 문서 및 제품에 나와 있는 안전 지침 및 경고 지침에 유의하십시오.
- 항상 제품에 있는 사용 설명서를 잘 보관하고 제품은 반드시 본 지침과 함께 다른 사람에게 전달하십시오.

### 1.2 기호 설명

#### 1.2.1 경고사항

본 제품을 다루면서 발생할 수 있는 위험에 대한 경고사항. 다음과 같은 시그널 워드가 사용됩니다.



**위험**

위험!

- ▶ 이 기호는 직접적인 위험을 표시합니다. 만약 지키지 않으면 심각한 부상을 당하거나 사망할 수도 있습니다.



**경고**

경고!

- ▶ 이 기호는 잠재적인 위험을 표시합니다. 만약 지키지 않으면 심각한 부상을 당하거나 사망할 수도 있습니다.



**주의**

주의!

- ▶ 이 기호는 잠재적인 위험 상황을 표시합니다. 만약 지키지 않으면 부상 또는 물질 손실을 입을 수 있습니다.

#### 1.2.2 사용 설명서에 사용된 기호

본 사용 설명서에서 사용되는 기호는 다음과 같습니다.

|  |                                     |
|--|-------------------------------------|
|  | 사용 설명서에 유의하십시오                      |
|  | 적용 지침 및 기타 유용한 사용정보                 |
|  | 재사용이 가능한 자재 취급방법                    |
|  | 전기 기기 및 배터리를 일반 가정의 쓰레기처럼 폐기해서는 안 됨 |
|  | Hilti 리튬 이온 배터리                     |
|  | Hilti 충전기                           |



### 1.2.3 그림에 사용된 기호

그림에 다음과 같은 기호가 사용됩니다.

|   |   |
|---|---|
|   | 이 숫자는 본 사용 설명서 첫 부분에 있는 해당 그림을 나타냅니다.                   |
| 3 | 매겨진 숫자는 작업 단계의 순서를 나타내며, 텍스트에 매겨진 작업 단계와 차이가 있을 수 있습니다. |
|   | 항목 번호는 개요 그림에서 사용되며, 제품 개요 단락에 나와 있는 기호 설명 번호를 나타냅니다.   |
|   | 이 표시는 제품을 다룰 때, 특별히 주의할 사항을 나타냅니다.                      |

## 1.3 제품 관련 기호

### 1.3.1 추가 기호

본 문서 또는 제품에 추가로 사용되는 기호는 다음과 같습니다.

|               |  |
|---------------|--|
|               | 함마링 컷아웃  |
|               | 타격하여 드릴링(함마드릴링)  |
| $n_0$         | 무부하 회전속도   |
| /min          | 분당 회전수   |
| $\varnothing$ | 직경   |
|               | 정회전/역회전  |
|               | 직류   |
| Li-Ion        | 리튬 이온 배터리  |
|               | 본 제품은 iOS 및 Android 플랫폼과 호환 가능한 NFC 기술을 지원합니다.           |
|               | 배터리는 절대 타격 공구로 사용해서는 안 됩니다.                              |
|               | 배터리를 떨어뜨리지 마십시오. 타격을 받은 적이 있거나 다른 손상이 있는 배터리는 사용하지 마십시오. |

## 1.4 제품 정보

**HILTI** 제품은 전문가용으로 설계되어 있으며, 해당 교육을 이수한 공인된 작업자를 통해서만 조작, 유지 보수 및 수리 작업을 진행할 수 있습니다. 이 기술자는 발생할 수 있는 위험에 대해 특별 교육을 받은 상태여야 합니다. 교육을 받지 않은 사람이 제품을 부적절하게 취급하거나 규정에 맞지 않게 사용할 경우에는 기기와 그 보조기구에 의해 부상을 당할 위험이 있습니다.

형식 명칭 및 일련 번호는 형식 라벨에 제시되어 있습니다.

- ▶ 일련 번호를 다음의 표에 옮기십시오. 대리점 또는 서비스 센터에 문의할 경우 제품 제원이 필요합니다.

#### 제품 제원

|                     |                    |
|---------------------|--------------------|
| 드릴 드라이버   함마드릴 드라이버 | SF 6-22   SF 6H-22 |
| 세대                  | 03                 |
| 일련 번호               |                    |

## 1.5 적합성 선언

본 제조사는 단독 책임 하에 여기에 기술된 제품이 통용되는 법 규정 및 규범과 일치함을 밝힙니다. 적합성 증명서 사본은 본 문서 끝 부분에서 확인할 수 있습니다.

기술 문서는 이곳에 기술되어 있습니다.

Hilti Entwicklungsgesellschaft mbH | Zulassung Geräte | Hiltistraße 6 | 86916 Kaufering, DE



**2.1 전동 공구에 대한 일반적인 안전상의 주의사항**

**⚠ 경고** 해당 전동 공구와 함께 동봉된 모든 안전상의 주의 사항, 지침, 그림 및 기술자료를 숙지하십시오. 다음과 같은 지침 내용을 준수하지 않으면 전기 충격, 화재가 발생하거나 그리고/또는 중상을 입을 수 있습니다. 앞으로 모든 안전상의 주의사항과 지침을 보관하십시오.

안전상의 주의사항에서 사용되는 "전동 공구"라는 개념은 전원에 연결하여 사용하는 전동 공구(전원 케이블 있음) 또는 배터리를 사용하는 전동 공구(전원 케이블 없음)를 의미합니다.

**작업장 안전수칙**

- ▶ 작업장을 항상 깨끗이 하고 조명이 잘 들도록 하십시오. 어수선한 작업환경 또는 어두운 작업장은 사고를 초래할 수 있습니다.
- ▶ 인화성 액체, 가스 또는 먼지가 있어 폭발 위험이 있는 환경에서는 전동 공구를 사용하지 마십시오. 전동 공구는 먼지나 증기를 점화시킬 수 있는 스파크를 일으킵니다.
- ▶ 전동 공구를 사용할 때, 어린이들이나 다른 사람들이 작업장에 접근하지 못하도록 하십시오. 다른 사람의 방해로 인해 기기를 통제하기 어렵습니다.

**전기에 관한 안전수칙**

- ▶ 전동 공구의 전원 플러그가 소켓에 잘 끼워져야 합니다. 플러그를 절대 변형시켜서는 안됩니다. 접지된 전동 공구와 함께 아답타 플러그를 사용하지 마십시오. 변형되지 않은 플러그와 적합한 소켓을 사용하면 감전의 위험을 줄일 수 있습니다.
- ▶ 파이프, 히터, 전기레인지, 냉장고와 같은 접지 표면에 신체 접촉을 피하십시오. 신체에 닿을 경우 감전될 위험이 높습니다.
- ▶ 전동 공구가 비에 맞지 않도록 하고 습한 장소에 두지 마십시오. 전동 공구에 물이 들어가면 감전될 위험이 높습니다.
- ▶ 전원 케이블만 잡고 전동 공구를 운반하거나 걸어 놓아서는 안되며, 소켓에서 전원 플러그를 빼낼 때 케이블만 잡은 채로 빼내지 마십시오. 전원 케이블이 열, 오일, 날카로운 모서리 또는 부품의 가동 부위에 접촉하지 않도록 주의하십시오. 손상되거나 서로 꼬인 전원 케이블은 감전 위험을 높입니다.
- ▶ 실외에서 전동 공구를 이용하여 작업할 때, 실외용으로 승인된 연장 케이블만 사용하십시오. 실외용 연장 케이블을 사용하면 감전의 위험을 줄여줍니다.
- ▶ 전동 공구를 습한 환경에서 사용하는 것을 피할 수 없을 경우, 누전 차단기를 사용하십시오. 누전 차단기를 사용하면 감전 위험을 줄일 수 있습니다.

**사용자 안전수칙**

- ▶ 신중하게 작업하십시오. 작업에 정신을 집중하고 전동 공구를 사용할 때 경솔하게 행동하지 마십시오. 피곤하거나 항정신성 약물, 술 또는 약물 복용시에는 전동 공구를 사용하지 마십시오. 전동 공구 사용 시 이에 유의하지 않을 경우 심각한 부상을 초래할 수 있습니다.
- ▶ 안전 장비를 갖추고 보안경을 착용하십시오. 전동 공구의 종류와 사용에 따라, 먼지 보호 마스크, 미끄럼 방지용 안전 신발, 안전모 또는 귀마개 등과 같은 안전한 보호장비를 착용하면 부상의 위험을 줄일 수 있습니다.
- ▶ 실수로 기기가 작동하지 않도록 주의하십시오. 전동 공구를 전원 그리고/또는 배터리에 연결하기 전, 보관 또는 운반 전에 전동 공구가 스위치 OFF 상태인지 확인하십시오. 전동 공구 운반 시 스위치에 손가락을 대거나 스위치가 켜진 상태에서 전원을 연결하면 사고를 유발할 수 있습니다.
- ▶ 전동 공구의 스위치를 켜기 전, 조정공구 또는 렌치를 제거하십시오. 기기 회전부에 남아있는 공구나 렌치로 인해 부상을 입을 수 있습니다.
- ▶ 작업 시 비정상적인 자제는 피하십시오. 안전한 작업자세가 되도록 하고, 항상 균형을 유지하십시오. 이렇게 하여 예기치 않은 상황에서도 전동 공구를 잘 제어할 수 있습니다.
- ▶ 적합한 작업복을 착용하십시오. 헐렁한 복장이나 장식품을 착용하지 마십시오. 작동하는 기기 가동 부위에 머리, 옷 그리고 장갑이 가까이 닿지 않도록 주의하십시오. 헐렁한 복장, 장식품 혹은 긴 머리가 가동 부위에 말려 들어갈 수 있습니다.
- ▶ 먼지 제거장치나 수거장치를 설치할 수 있는 기기의 경우, 이 장치들이 연결되어 있는지 그리고 제대로 작동되는지를 확인하십시오. 먼지 포집장치 사용은 먼지로 인한 위험을 줄여줄 수 있습니다.
- ▶ 이 전동 공구를 여러번 사용해왔다고 해서 안전하다고 안심하지 말고 전동 공구에 해당되는 안전 규칙을 무시하지 마십시오. 부주의하게 행할 경우 아주 짧은 순간에 중상을 입을 수 있습니다.

**전동 공구의 취급과 사용**

- ▶ 기기에 과부하가 걸리지 않도록 하십시오. 귀하의 작업에 적합한 전동 공구를 사용하십시오. 적합한 전동 공구를 사용하면, 지정된 성능 한도 내에서 더 효율적으로 안전하게 작업할 수 있습니다.
- ▶ 스위치가 고장난 전동 공구는 사용하지 마십시오. 스위치가 작동되지 않는 전동 공구는 위험하므로, 반드시 수리를 해야 합니다.
- ▶ 기기 세팅을 실행, 액세서리를 교환 또는 기기를 보관하기 전에 컨택터를 전원소켓에서 그리고/또는 탈착식 배터리를 기기에서 빼놓으십시오. 이러한 조치는 실수로 전동 공구가 작동하지 않도록 방지합니다.



- ▶ 사용하지 않는 전동 공구는 어린이들의 손이 닿지 않는 곳에 보관하십시오. 기기 사용에 익숙치 않거나 또는 이 안전수칙을 읽지 않은 사람이 기기를 사용해서는 안 됩니다. 비숙련자가 전동 공구를 사용하면 위험합니다.
- ▶ 전동 공구 및 액세서리를 유의해서 관리하십시오. 기기의 가동 부위가 완벽하게 작동하는지, 끼어 있지 않은지, 혹은 부품이 손상되거나 파손되어 있어 전동 공구의 기능을 저하시키지 않는지 점검하십시오. 기기 사용 전 손상된 부품을 수리하도록 하십시오. 제대로 관리되지 않은 전동 공구는 많은 사고를 유발합니다.
- ▶ 절단기기는 날카롭고 깨끗하게 관리하십시오. 날카로운 절단면이 있고 잘 관리된 절단기기는 끼이는 경우가 드물고 조절하기도 쉽습니다.
- ▶ 본 지침에 따라 전동 공구, 액세서리, 공구 비트 등을 사용하십시오. 이 때 작업 조건과 실시하려는 작업 내용을 고려하십시오. 원래 사용 분야가 아닌 다른 작업에 전동 공구를 사용할 경우, 위험한 상황을 초래할 수 있습니다.
- ▶ 손잡이 및 손잡이 표면은 건조하고 깨끗하게, 그리고 오일과 그리스가 묻어있지 않도록 해야 합니다. 미끄러운 손잡이 및 손잡이 표면은 예상치 못한 상황에서 전동 공구를 안전하게 조작하고 제어할 수 없습니다.

#### 배터리 공구의 취급과 사용

- ▶ 제조회사가 권장한 충전기에만 배터리를 충전시키십시오. 특정한 형식의 배터리를 사용하도록 규정되어 있는 충전기에 다른 배터리를 사용할 경우 화재 발생의 위험이 있습니다.
- ▶ 전동 공구에 적합하게 규정된 배터리만 사용하십시오. 다른 배터리를 사용하면 부상을 입을 수 있고, 화재가 발생할 수 있습니다.
- ▶ 배터리를 사용하지 않을 경우 클립, 동전, 키, 못, 나사 또는 다른 소형 금속 물질로부터 사용하지 않는 배터리를 멀리 떨어뜨려 놓아주십시오. 배터리 간 단락으로 인한 연소 또는 화재를 초래할 수 있습니다.
- ▶ 잘못 사용할 경우, 배터리로부터 전해액이 흘러나올 수 있습니다. 전해액을 직접 만지지 마십시오. 실수로 만졌을 경우, 물로 씻으십시오. 전해액이 눈에 들어갔으면, 의사와 상담하십시오. 배터리로부터 흘러나온 전해액은 피부를 손상시킬 수 있으며, 화재를 발생시킬 수 있습니다.
- ▶ 손상된 배터리 또는 변경된 배터리를 사용하지 마십시오. 손상된 배터리 또는 변경된 배터리는 예상치 못한 상황 및 화재, 폭발 또는 부상 위험을 초래할 수 있습니다.
- ▶ 배터리에서 불꽃이 발생하거나 또는 배터리가 너무 높은 온도에 노출되지 않게 하십시오. 불꽃 또는 온도가 130 °C (265 °F)를 넘으면 폭발을 일으킬 수 있습니다.
- ▶ 충전에 관한 모든 지침을 준수하여 배터리 또는 배터리 공구를 절대 사용 설명서에 제시된 범위를 벗어난 온도에서 충전하지 마십시오. 잘못 충전하거나 허용된 범위를 벗어난 온도에서 충전하면 배터리가 파손되어 화재 발생 위험이 높아질 수 있습니다.

#### 서비스

- ▶ 전동 공구는 반드시 자격을 갖춘 전문가에 의해 그리고 순정 대체부품만 이용하여 수리해야 합니다. 이렇게 하여 기기의 안전성을 계속해서 유지할 수 있습니다.
- ▶ 손상된 배터리를 절대 수리하지 마십시오. 배터리 수리는 제조회사 또는 권한을 위임받은 고객 서비스센터에서만 이루어져야 합니다.

## 2.2 드릴링 머신에 대한 안전상의 주의사항

### 모든 작업에 대한 안전상의 주의사항

- ▶ 함마드릴링 작업 시 귀마개를 착용하십시오. 소음은 청각 상실을 유발할 수 있습니다.
- ▶ 보조 손잡이를 사용하십시오. 기기를 제어하지 못하면 부상을 입을 수 있습니다.
- ▶ 숨겨진 전선에 공구 비트 또는 스크류가 접촉할 수 있는 작업을 실행할 경우, 항상 전동 공구의 절연된 손잡이 부분을 잡으십시오. 전류가 흐르는 전선과 접촉하면 전동 공구의 금속 부위를 통해 감전이 될 수도 있습니다.

### 긴 드릴 사용 시 안전상의 주의 사항

- ▶ 어떠한 경우에도 드릴에 허용되는 최고 속도보다 더 높은 속도로 작업하지 마십시오. 더 높은 속도로 작업하는 경우 드릴이 공작물에 닿지 않은 상태에서 회전하면 쉽게 구부러져 부상을 입을 수 있습니다.
- ▶ 드릴 작업은 항상 낮은 속도로 드릴이 공작물에 닿은 상태로 시작하십시오. 더 높은 속도로 작업하는 경우 드릴이 공작물에 닿지 않은 상태에서 회전하면 쉽게 구부러져 부상을 입을 수 있습니다.
- ▶ 과도한 힘을 가하지 말고 드릴이 작동하는 방향으로만 힘을 가하십시오. 드릴이 휘어져 파손되거나 통제력을 잃어 부상을 유발할 수 있습니다.

## 2.3 그 외 스크류 드라이버에 관한 안전상의 주의사항

- ▶ 기술적 하자가 없는 상태에서만 제품 및 액세서리를 사용하십시오.
- ▶ 어떠한 경우에도 제품 또는 액세서리를 변경하거나 개조하지 마십시오.
- ▶ 작업을 시작하기 전에, 작업장에서 가려져 있거나 덮혀 있는 전기 배선, 가스 파이프 그리고 하수도관이 있는지를 점검하십시오. 전기 배선, 가스 파이프 또는 하수도관을 손상시킨 경우, 제품 바깥쪽에 있는 금속 부품에서 감전 또는 폭발을 유발할 수 있습니다.



- ▶ 샌딩, 연마, 절단 및 드릴링 작업 시 발생하는 먼지에는 위험한 화학물질이 함유되어 있을 수 있습니다. 예를 들어 납 또는 납 계열의 페인트, 벽돌, 콘크리트 및 기타 조직 벽돌 제품, 자연석 및 기타 실리콘 함유 제품, 참나무, 너도밤나무 및 화학 처리된 목재 등과 같은 특정 목재, 석면 또는 석면이 함유된 자재 등이 있을 수 있습니다. 작업하는 자재의 위험 등급을 따라 조작자 및 주변에 있는 사람들의 노출 정도를 결정하십시오. 안전한 수준에서 노출이 이루어질 수 있도록 예를 들어 먼지 포집장치 사용 또는 적합한 보호 마스크 착용 등 필요한 조치를 취하십시오. 노출을 줄일 수 있는 일반적인 조치:
  - ▶ 환기가 잘 되는 곳에서 작업하기,
  - ▶ 장시간 먼지 접촉 피하기,
  - ▶ 얼굴 및 신체의 먼지를 다른 곳으로 털어내기,
  - ▶ 보호복장 착용 및 노출된 영역을 비누와 물로 세척하기.
- ▶ 떨어지는 공구 및/또는 액세서리로 인한 부상 위험. 작업을 시작하기 전에 배터리 및 설치된 액세서리가 안전하게 고정되어 있는지 확인하십시오.
- ▶ 천공 작업시, 작업할 부분의 반대편을 안전하게 조치를 취하십시오. 천공 시 발생하는 분쇄물이 빠져 나오거나 또는 떨어지면서 다른 사람이 부상을 입을 수 있습니다.
  - ▶ 갑작스럽게 벽이 파괴되면 제품으로 인해 작업자가 균형을 잃을 수 있습니다. 벽면 또는 천장에서 파쇄 작업을 진행할 때 안전한 상태인지 그리고 평형을 잘 유지하고 있는지 확인하십시오.
- ▶ 무드진 비트를 사용하지 마십시오.
- ▶ 제품과 함께 공급된 보조 손잡이를 사용하십시오. 기기를 제어하지 못하면 부상을 입을 수 있습니다. 보조 손잡이가 안전하게 자리잡고 단단히 장착되었는지 확인하십시오.
- ▶ 제품을 작업 위치로 가져온 후에만 제품의 전원을 켜십시오.
- ▶ 항상 양손으로 제품의 손잡이를 잡고 공구를 고정시키십시오. 손잡이는 건조하고 깨끗하게 유지하십시오.
- ▶ 환기 슬롯은 항상 가려져 있지 않게 하십시오. 숨겨진 환기 슬롯으로 인한 화재 위험!
- ▶ 회전하는 부품에 접촉하지 않도록 하십시오. - 부상 위험!
- ▶ 제품을 사용할 때에는 보안경, 안전모, 귀마개 및 적합한 보호 마스크를 착용하십시오.
- ▶ 보안경을 착용하십시오. 재료의 파편으로 인해 눈 등 신체에 부상을 입을 수 있습니다.
- ▶ 제품의 LED 조명을 직접 응시하거나 다른 사람의 얼굴을 비추지 마십시오. 실명 위험이 있습니다.
- ▶ 손가락의 혈액순환이 잘 되도록 자주 휴식시간을 갖고, 휴식하는 동안 손가락 운동을 하십시오. 장시간 작업하면 강한 진동으로 인해 혈관 장애 또는 손가락, 손 및 손목의 신경 체계에 이상이 있을 수 있습니다.
- ▶ 제품을 내려놓기 전에 제품이 완전히 정지할 때까지 기다리십시오.
- ▶ 공구 교체 시 보호장갑을 착용하십시오. 공구 비트에 닿으면 부상을 입거나 화상을 당할 수 있습니다.

## 2.4 배터리의 올바른 사용방법과 취급방법

- ▶ 리튬 이온 배터리를 보다 안전하게 취급하고 사용할 수 있도록 다음과 같은 안전상의 주의 사항에 유의하십시오. 유의하지 않을 경우 피부 자극, 심각한 부식성 부상, 화학 화상, 화재 및/또는 폭발을 유발할 수 있습니다.
- ▶ 기술적 하자가 없는 상태에서만 배터리를 사용하십시오.
- ▶ 배터리를 조심히 다루어 손상되지 않고, 건강에 유해한 액체가 흘러나오지 않게 하십시오!
- ▶ 배터리는 어떠한 경우에도 개조 또는 변조해서는 안 됩니다!
- ▶ 배터리를 분해하거나 강한 압력 또는 80°C (176°F) 이상의 열을 가하거나 연소시켜서는 안 됩니다.
- ▶ 타격을 받은 적이 있거나 다른 손상이 있는 배터리는 사용 또는 충전하지 마십시오. 손상될 기기가 보이는 지 정기적으로 점검하십시오.
- ▶ 재활용 또는 수리한 배터리는 절대 사용하지 마십시오.
- ▶ 배터리 또는 배터리 구동식 전동 공구를 절대 타격 공구로 사용하지 마십시오.
- ▶ 배터리가 직사광선, 고온, 스파크 또는 불꽃에 절대 노출되지 않도록 하십시오. 이로 인해 폭발이 발생할 수 있습니다.
- ▶ 배터리 전극을 손가락, 공구, 장신구 또는 다른 전도성 물체를 통해 만지지 마십시오. 이는 배터리 손상, 물적 손상 및 부상을 유발할 수 있습니다.
- ▶ 배터리가 비 또는 습기 및 액체에 노출되지 않게 하십시오. 습기가 유입되면 단락, 감전, 화재, 불꽃 및 폭발이 일어날 수 있습니다.
- ▶ 배터리 타입에 해당되는 충전기 및 전동공구만 사용하십시오. 이를 위해 해당 사용 설명서에 적혀 있는 내용을 확인하십시오.
- ▶ 폭발 위험이 있는 환경에서 배터리를 사용하거나 보관하지 마십시오.

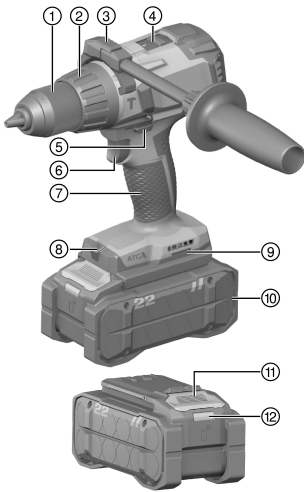


- ▶ 배터리를 잡기에 너무 뜨거운 경우에는 고장일 수 있습니다. 배터리를 인화성 물질과 충분한 거리를 둔 상태에서 눈에 잘 띄며 불이 잘 붙지 않는 장소에 두십시오. 배터리를 냉각시키십시오. 한 시간 후에도 계속해서 배터리를 잡기에 너무 뜨거운 경우에는 배터리에 결함이 있을 수 있습니다. **Hilti** 서비스 센터에 문의하거나 "안전 및 **Hilti** 리튬 이온 배터리 작업 관련 지침" 문서 내용을 확인하십시오.

**i** 리튬 이온 배터리의 운반, 보관 및 사용 시 적용되는 특수 가이드라인에 유의하십시오. → 페이지 158  
**안전 및 Hilti 리튬 이온 배터리 작업 관련 지침**은 본 사용 설명서의 끝부분에 제시된 QR 코드를 통해 확인할 수 있습니다.

### 3 제품 설명

#### 3.1 제품 개요



- ① 키레스 척
- ② 토크와 기능 세팅링
- ③ 측면 손잡이
- ④ 기어 선택 스위치
- ⑤ 정회전/역회전 스위치, 안전운반장치 있음
- ⑥ 컨트롤 스위치(회전속도 전자제어기능 포함)
- ⑦ 손잡이
- ⑧ 작업 공간 조명(LED)
- ⑨ 액세서리용 조립 틈새
- ⑩ 배터리
- ⑪ 배터리 잠금해제 버튼
- ⑫ 배터리 상태 표시기

#### 3.2 규정에 맞는 사용

기술된 제품은 배터리 구동식 소형 드릴 드라이버입니다. 스크류를 돌려 끼우고 풀기 위한 용도 및 강철, 목재, 플라스틱, 경량 콘크리트 및 조적벽돌 소재에 드릴 작업하기 위한 용도로 사용됩니다.

- 본 제품에는 모델시리즈 B 22의 **Hilti** Nuron 리튬이온 배터리만 사용하십시오. **Hilti**는 출력을 최적화할 수 있도록 본 제품에 본 사용 설명서의 끝부분 표에 명시된 배터리를 사용할 것을 권장합니다.
- 해당 배터리에는 본 사용 설명서 끝부분 표에 명시된 모델시리즈의 **Hilti** 충전기만 사용하십시오.

#### 3.3 ATC

본 제품에는 전자 제어식 급속 차단장치 ATC (Active Torque Control)가 장착되어 있습니다.

공구 비트가 막히거나 또는 끼어 움직이지 않게 되면, 제품은 제어되지 않은 상태에서 갑작스럽게 반대 방향으로 돌아갑니다. ATC는 제품의 이러한 갑작스런 회전 움직임을 감지하고 즉시 제품의 전원을 차단합니다.

**i** 올바르게 작동하려면 제품이 회전할 수 있어야 합니다.  
 급속 차단한 후 제품을 꺾다가 다시 켜십시오.

#### 3.4 과부하 표시 및 과열 표시

본 제품에는 전자식 과부하 방지 기능과 과열방지장치가 장착되어 있습니다. 과부하 또는 과열 시 제품이 자동으로 꺼집니다. 컨트롤 스위치에서 손을 떼었다가 다시 누르면, 스위치ON 지연(제품의 냉각 단계) 상태로 전환할 수 있습니다.



### 3.5 리튬이온 배터리 표시

Hilti Nuron 리튬 이온 배터리는 충전 상태, 오류 메시지 및 배터리 상태를 표시할 수 있습니다.

#### 3.5.1 충전 상태 및 오류 메시지 표시



경고

부상 위험 떨어지는 배터리로 인한 위험!

- ▶ 배터리가 끼워진 상태에서 잠금해제 버튼을 누른 경우, 배터리가 사용하는 제품에 다시 제대로 고정되었는지 확인하십시오.

다음과 같은 표시를 확인하려면, 배터리 잠금해제 버튼을 짧게 누르십시오.

연결된 제품의 전원이 켜져 있는 동안 충전 상태 및 발생 가능한 기능 장애 내용도 계속 표시됩니다.

| 상태                     | 의미   |
|------------------------|--|
| 4개 LED가 녹색으로 계속 점등됩니다  | 충전 상태: 100 % ~ 71 %  |
| 3개 LED가 녹색으로 계속 점등됩니다  | 충전 상태: 70 % ~ 51 %   |
| 2개 LED가 녹색으로 계속 점등됩니다  | 충전 상태: 50 % ~ 26 %   |
| 1개 LED가 녹색으로 계속 점등됩니다  | 충전 상태: 25 % ~ 10 %   |
| 1개 LED가 녹색으로 느리게 깜박입니다 | 충전 상태: < 10 %  |
| 1개 LED가 녹색으로 빠르게 깜박입니다 | 리튬이온 배터리가 완전히 방전되었습니다. 배터리를 충전하십시오.<br>배터리 충전 후에도 계속해서 LED가 빠르게 깜박이면, Hilti 서비스 센터에 문의해 주십시오.  |
| 1개 LED가 황색으로 빠르게 깜박입니다 | 리튬 이온 배터리 또는 배터리와 관련된 제품이 과부하되었거나, 너무 뜨겁거나 차갑거나 또는 다른 오류가 발생했습니다.<br>제품 및 배터리를 권장하는 작동 온도 상태로 유지하고, 제품을 사용하지 않을 경우 제품에 과부하가 걸리지 않도록 하십시오.<br>해당 메시지가 계속 존재하는 경우, Hilti 서비스 센터에 문의해 주십시오. |
| 1개 LED가 황색으로 점등됩니다     | 리튬이온 배터리 및 배터리가 연결된 제품과 호환되지 않습니다. Hilti 서비스 센터에 문의해 주십시오.   |
| 1개 LED가 적색으로 빠르게 깜박입니다 | 리튬이온 배터리 사용이 금지되어 더 이상 사용할 수 없습니다. Hilti 서비스 센터에 문의해 주십시오.   |

#### 3.5.2 배터리 상태 표시

배터리 상태를 조회하려면, 잠금해제 버튼을 3초 이상 누르고 계십시오. 낙하, 틈새 발생, 외부 요인으로 인한 열 손상 등 잘못된 사용으로 인해 시스템에서 잠재적으로 발생할 수 있는 배터리의 오작동을 감지하지 못합니다.

| 상태   | 의미  |
|--|---|
| 작동 표시등으로 모든 LED가 점등된 후 1개 LED가 녹색으로 계속 점등됩니다.  | 배터리를 계속해서 사용할 수 있습니다.   |
| 작동 표시등으로 모든 LED가 점등된 후 1개 LED가 황색으로 빠르게 깜박입니다. | 배터리 상태 조회를 종료할 수 없습니다. 해당 과정을 반복하거나 Hilti 서비스 센터에 문의해 주십시오.   |
| 작동 표시등으로 모든 LED가 점등된 후 1개 LED가 적색으로 계속 점등됩니다.  | 연결된 제품을 계속해서 사용할 수 없는 경우, 남아 있는 배터리 용량이 50% 미만입니다.<br>연결된 제품을 계속해서 사용할 수 없는 경우, 배터리의 수명이 다 되어 교체해야 합니다. Hilti 서비스 센터에 문의해 주십시오. |

### 3.6 공급품목

드릴 드라이버, 측면 손잡이, 사용 설명서.

해당 제품에 허용되는 기타 시스템 제품은 Hilti Store 또는 온라인에서 확인할 수 있습니다. [www.hilti.group](http://www.hilti.group)





## 4 기술자료

|                                   |    | SF 6-22             | SF 6H-22            |
|-----------------------------------|----|---------------------|---------------------|
| 정격 전압                             |    | 21.6V <sub>DC</sub> | 21.6V <sub>DC</sub> |
| EPTA Procedure 01에 따른 중량(배터리 미포함) |    | 2.0kg               | 2.0kg               |
| 최전속도                              | 1단 | 0/min ... 490/min   | 0/min ... 490/min   |
|                                   | 2단 | 0/min ... 2,000/min | 0/min ... 2,000/min |
| 토크(부드러운 소재에서 작업할 경우) ↕            |    | ≤ 65Nm              | ≤ 65Nm              |
| 타격 속도                             |    | */*                 | 36,000/min          |
| 작동 시 주변 온도                        |    | -17 °C ... 60 °C    | -17 °C ... 60 °C    |
| 보관 온도                             |    | -20 °C ... 70 °C    | -20 °C ... 70 °C    |

### 4.1 배터리

|                |                  |
|----------------|------------------|
| 배터리 모드 전압      | 21.6V            |
| 배터리 무게         | 본 사용 설명서의 끝부분 참조 |
| 작동 시 주변 온도     | -17 °C ... 60 °C |
| 보관 온도          | -20 °C ... 40 °C |
| 충전 시작 시 배터리 온도 | -10 °C ... 45 °C |

### 4.2 기기 비트에 허용되는 직경

|                            | SF 6-22        | SF 6H-22       |
|----------------------------|----------------|----------------|
| Ø 드릴 척 클램핑 범위              | 1.5mm ... 13mm | 1.5mm ... 13mm |
| Ø 목재 드릴(하드 타입)             | 1.5mm ... 20mm | 1.5mm ... 20mm |
| Ø 목재 드릴(소프트 타입)            | 1.5mm ... 32mm | 1.5mm ... 32mm |
| Ø 금속 드릴                    | 1.5mm ... 13mm | 1.5mm ... 13mm |
| Ø 콘크리트/벽돌 소재 드릴 작업(함마 드릴링) | */*            | 4mm ... 12mm   |

### 4.3 EN 62841에 따른 소음 정보 및 진동값

이 치함에 제시된 음압 및 진동수준은 표준화된 측정방법에 따라 측정된 것이며, 전동 공구를 서로 비교하기 위한 용도로 사용할 수 있습니다. 음압 및 진동 수준은 노출 정도를 사전에 예측하는 데에도 유용하게 사용할 수 있도록 설계되어 있습니다.

제시된 데이터는 전동 공구의 주된 용도를 나타냅니다. 그러나 전동 공구를 다른 용도로 사용하거나 다른 공구 비트를 사용할 경우 또는 유지보수를 충분히 하지 않은 상태에서는 데이터에 편차가 있을 수 있습니다. 이러한 경우 전 작업시간에 걸쳐 노출이 현저하게 증가할 수 있습니다.

노출을 정확하게 평가하기 위해서는 기기 작동이 멈춰 있거나 또는 작동 중이지만 실제로는 사용하지 않는 시간도 고려해야 합니다. 이러한 경우 전 작업시간에 걸쳐 노출이 현저하게 감소할 수 있습니다.

사용자를 보호하기 위해 음파 그리고/또는 진동이 작용하기 전에 다음과 같은 추가적인 안전 조치를 취하십시오. 전동 공구와 공구 비트의 유지보수, 손을 따뜻하게 유지, 작업순서 정하기 등.

#### 소음 배출 값

|                               | SF 6-22   | SF 6H-22   |
|-------------------------------|-----------|------------|
| 방출 음압 수준 (L <sub>pA</sub> )   | 74.5dB(A) | 94.5dB(A)  |
| 음압 수준 허용공차 (K <sub>pA</sub> ) | 5dB(A)    | 5dB(A)     |
| 소음 수준 (L <sub>WA</sub> )      | 85.5dB(A) | 105.5dB(A) |
| 소음 수준 허용공차 (K <sub>WA</sub> ) | 5dB(A)    | 5dB(A)     |

#### 진동 총 값

|                                      | SF 6-22             | SF 6H-22            |
|--------------------------------------|---------------------|---------------------|
| 금속에서의 드릴링 진동 배출값 (a <sub>n,d</sub> ) | B 22-85             | 1.0m/s <sup>2</sup> |
|                                      | B 22-170            | 0.7m/s <sup>2</sup> |
| 금속에서의 드릴링 허용공차 (K)                   | 1.5m/s <sup>2</sup> | 1.5m/s <sup>2</sup> |



|                                     |          | SF 6-22 | SF 6H-22             |
|-------------------------------------|----------|---------|----------------------|
| 콘크리트에서의 함마드릴링 진동 배출 값 ( $a_{h,d}$ ) | B 22-85  | */°     | 11.9m/s <sup>2</sup> |
|                                     | B 22-170 | */°     | 10.6m/s <sup>2</sup> |
| 콘크리트에서의 함마드릴링 허용공차 (K)              |          | */°     | 1.5m/s <sup>2</sup>  |

## 5 작업 준비

### 경고

부상 위험 돌발적인 작동!

- ▶ 배터리를 끼우기 전에 해당 제품의 전원이 꺼져 있는지 확인하십시오.
- ▶ 기기 설정 또는 액세서리를 교체하기 전에 배터리를 제거하십시오.

본 문서 및 제품에 나와 있는 안전 지침 및 경고 지침에 유의하십시오.

### 5.1 배터리 충전

1. 충전하기 전에 충전기의 사용 설명서를 읽으십시오.
2. 배터리 및 충전기의 접점이 청결하고 건조한 상태인지 확인하십시오.
3. 허용되는 충전기에서 배터리를 충전하십시오. → 페이지 153

### 5.2 배터리 삽입

#### 경고

부상 위험 부상 위험!

- ▶ 배터리를 끼우기 전에 배터리의 접점 및 제품의 접점에 이물질이 남아 있지 않은지 확인하십시오.
- ▶ 배터리가 제대로 고정되었는지 확인하십시오.

1. 처음으로 사용하기 전, 배터리를 완전히 충전하십시오.
2. 배터리가 제품에 고정되는 소리가 들릴 때까지 미십시오.
3. 배터리가 정확하게 설치되어 있는지 점검하십시오.

### 5.3 배터리 제거

1. 배터리의 잠금 해제 버튼을 누르십시오.
2. 배터리를 제품에서 빼내십시오.

### 5.4 측면 손잡이 조립

#### 주의

부상위험! 로터리 함마 드릴 점검 생략.

- ▶ 측면 손잡이가 정확하게 설치되고 올바르게 고정되어 있는지 확인하십시오. 클램프가 지정된 홈에 위치하는지 확인하십시오.

1. 손잡이를 돌려서 측면 손잡이의 클램프를 푸십시오.
2. 측면 손잡이의 홀더를 끝까지 하우징에 끼운 후 지정된 홈에 클램프를 밀어 넣으십시오.
3. 손잡이를 돌려서 측면 손잡이 홀더를 조이십시오.

### 5.5 공구 비트 삽입

1. 키레스 척을 여십시오.
2. 공구 비트를 척 아답타에 삽입하십시오.
3. 신속 교환식 드릴 척을 돌려 조이십시오.
4. 공구 비트가 완전히 고정되었는지 점검하십시오.



## 5.6 추락 방지장치

### 경고

부상위험 떨어지는 공구 및/또는액세서리에 의한 유발!

- ▶ 해당 제품에 권장하는 **Hilti** 공구 고정끈만 사용하십시오.
- ▶ 사용하기 전에 항상 공구 고정끈의 고정점에 손상된 곳이 없는지 확인하십시오.
- ▶ 벨트 후크에 공구 고정끈을 고정시키지 마십시오. 벨트 후크를 제품을 들어 올리는 용도로 사용하지 마십시오.

공중 작업에 대한 국가별 규정에 유의하십시오.

해당 제품의 추락 방지장치로는 **Hilti** 낙하 방지 벨트와 **Hilti** 공구 고정끈 #2261970을 결합해서만 사용하십시오.

- ▶ 낙하 방지 벨트를 액세서리의 조립 구멍에 고정시키십시오. 확실하게 고정되었는지 점검하십시오.
- ▶ 공구 고정끈의 카라비너 후크 한쪽을 낙하 방지 벨트에 고정하고, 지지하는 구조물에 다른 카라비너 후크를 고정시키십시오. 두 카라비너 후크가 확실하게 고정되었는지 점검하십시오.

**Hilti** 낙하 방지 벨트 및 **Hilti** 공구 고정끈의 사용 설명서 내용에 유의하십시오.

## 6 조작

### 주의

끼인 공구 비트로 인한 부상 위험!!

- ▶ 측면 손잡이가 정확하게 설치되고 올바르게 고정되어 있는지 확인하십시오. 항상 양손으로 제품의 손잡이를 잡고 공구를 고정시키십시오.
- ▶ 훔날리는 자재로 인해 다치지 않도록 보안경을 사용하십시오.

본 문서 및 제품에 나와 있는 안전 지침 및 경고 지침에 유의하십시오.

### 6.1 기어 선택

- ▶ 기어를 선택하십시오.

### 6.2 정회전/역회전 방향 설정

- ▶ 정회전/역회전 스위치를 정회전 또는 역회전 위치에 두십시오.

### 6.3 전원 켜기

- ▶ 컨트롤 스위치를 누르십시오.
  - ▶ 제품이 작동합니다.

컨트롤 스위치가 눌리는 깊이에 따라 회전속도를 무단식으로 조절할 수 있습니다.

### 6.4 스크류 작업

- ▶ 토크 및 기능에 대한 설정 링에서 필요한 토크를 설정하십시오.

### 6.5 드릴링

- ▶ 토크 및 기능 설정 링을 으로 설정하십시오.

### 6.6 함마드릴링

- ▶ 토크 및 기능 설정 링을 으로 설정하십시오.



## 6.7 전원 끄기

- ▶ 컨트롤 스위치에서 손을 떼십시오.
  - ▶ 제품이 꺼집니다.

## 7 관리 및 유지보수

### 경고

배터리가 끼워진 상태에서 부상 위험!

- ▶ 관리 및 수리 작업을 진행하기 전에 항상 배터리를 제거하십시오!

### 제품 관리

- 공구에 부착되어 있는 오염물질을 조심스럽게 제거하십시오.
- 오염물질이 있는 경우, 부드러운 마른 솔로 환기 슬롯을 조심스럽게 청소하십시오.
- 약간 물기가 있는 수건으로만 하우징을 청소해 주십시오. 플라스틱 부품을 손상시킬 수 있으므로 절대로 실리콘이 함유된 보호제를 사용하지 마십시오.
- 제품의 접점을 청소하려면 깨끗하고 마른 천을 사용하십시오.

### 리튬 이온 배터리 관리

- 환기 슬롯이 막힌 상태에서는 절대 배터리를 사용하지 마십시오. 부드러운 마른 솔로 환기 슬롯을 조심스럽게 청소하십시오.
- 배터리가 불필요하게 먼지 또는 오염물에 노출되지 않도록 하십시오. 배터리를 절대 습도가 높은 곳에 두지 마십시오(예: 물 속에 담거나 비내리는 곳에 두는 행위).
- 배터리에 물이 들어가면, 손상된 배터리처럼 취급하십시오. 물이 들어간 배터리는 비가연성 용기에서 절연시킨 후, **Hilti** 서비스 센터에 문의해 주십시오.
- 배터리를 외부 오일 및 그리스가 묻지 않도록 깨끗하게 유지하십시오. 배터리가 불필요하게 먼지 또는 오염물이 쌓이지 않도록 하십시오. 배터리를 부드러운 마른 솔 또는 깨끗하고 마른 걸레로 닦아내십시오. 플라스틱 부품을 손상시킬 수 있으므로 절대로 실리콘이 함유된 보호제를 사용하지 마십시오.
- 배터리의 접점에 접촉하지 말고, 접점에서 공구축에 부착된 그리스를 제거하지 마십시오.
- 약간 물기가 있는 수건으로만 하우징을 청소해 주십시오. 플라스틱 부품을 손상시킬 수 있으므로 절대로 실리콘이 함유된 보호제를 사용하지 마십시오.

### 유지보수

- 눈에 보이는 모든 부품은 정기적으로 손상 여부를 점검하고 조작요소가 아무 문제 없이 작동하는지 점검하십시오.
- 손상되었거나 기능 장애가 있는 경우에는 제품을 작동하지 마십시오. 즉시 **Hilti** 서비스 센터에 제품 수리를 의뢰하십시오.
- 관리 및 수리 작업 후 모든 보호장치를 가져와 기능에 이상이 없는지 점검하십시오.

안전한 사용을 위해서 순정 예비 부품 및 소모품만을 사용하십시오. **Hilti**에서 승인한 예비 부품, 소모품 및 액세서리는 **Hilti Store** 또는 [www.hilti.group](http://www.hilti.group)

## 8 충전식 공구 및 배터리 운반 및 보관

### 운반

### 주의

운반 시 돌발적으로 작동됨!

- ▶ 제품은 항상 배터리를 장착하지 않은 상태로 운반하십시오!
- ▶ 배터리를 분리하십시오.
- ▶ 배터리를 고정하지 않은 채로 운반해서는 절대 안 됩니다. 운반하는 도중 배터리에 과도한 충격을 받거나 진동이 발생하지 않게 하고 모든 전도성 소재 또는 다른 배터리로부터 분리시켜 다른 배터리 전극에 닿지 않고 단락이 발생하지 않게 하십시오. 배터리와 관련된 현지 운반 규정에 유의하십시오.
- ▶ 배터리는 우편을 통해 전달할 수 없습니다. 손상이 없는 배터리를 전송하고자 하는 경우 배송업체에 문의하십시오.
- ▶ 제품 및 배터리를 사용하기 전에 그리고 장시간 운반한 후에는 항상 손상 여부를 점검하십시오.



## 보관

### 경고

배터리 결함 또는 방전으로 인한 돌발적인 손상!

- ▶ 제품은 항상 배터리를 장착하지 않은 상태로 보관하십시오!
- ▶ 제품 및 배터리를 냉각 및 건조시켜 보관하십시오. 기술자료에 제시된 허용 온도 한계값에 유의하십시오.
- ▶ 배터리를 충전기에 보관하지 마십시오. 충전 후에는 항상 배터리를 충전기에서 분리하십시오.
- ▶ 배터리는 절대 직사광선이 들어오는 곳, 열원 위 또는 유리 뒤쪽에 보관하지 마십시오.
- ▶ 제품 및 배터리는 건조한 상태로 어린이나 외부인의 손이 닿지 않는 곳에 보관하십시오.
- ▶ 제품 및 배터리를 사용하기 전에 그리고 장시간 보관한 후에는 항상 손상 여부를 점검하십시오.

## 9 문제 발생 시 도움말

장애 발생 시 항상 배터리의 충전 상태 및 고장 표시 내용에 유의하십시오. 리튬이온 배터리 표시 단원을 참조하십시오.

본 도표에 제시되어 있지 않거나 스스로 해결할 수 없는 문제가 발생한 경우 Hilti 서비스 센터에 문의하십시오.

| 장애                         | 예상되는 원인                       | 해결책  |
|----------------------------|-------------------------------|--|
| 제품이 작동하지 않음.               | 배터리가 올바르게 삽입되지 않음.            | ▶ 배터리를 삽입하십시오.<br>→ 페이지 156  |
| 컨트롤 스위치를 누를 수가 없음 또는 블로킹됨. | 정회전/역회전 스위치가 중간위치에 있음(운반 위치). | ▶ 정회전/역회전 스위치를 정회전 또는 역회전 위치에 두십시오.<br>→ 페이지 157                         |
| 제품 또는 배터리에서 과도한 열 발생       | 전기적 결함                        | ▶ 즉시 제품의 전원을 끄고 배터리를 분리하십시오. 배터리를 잘 관찰하면서 냉각시키십시오. Hilti 서비스 센터에 문의하십시오. |
| 배터리의 LED에서 아무런 표시가 없음      | 배터리 결함                        | ▶ Hilti 서비스 센터에 문의해 주십시오.  |
| SF 6H-22<br>함마드릴링 작업 불가능.  | 설정 링의 기능이 정확하게 설정되지 않음.       | ▶ 설정 링을 "함마드릴링"  기능으로 설정하십시오.  |

## 10 폐기

### 경고

부적절한 폐기로 인한 부상 위험! 새어나오는 가스 또는 용액으로 인한 건강상의 위험.

- ▶ 손상된 배터리는 전달하지 마십시오!
- ▶ 비전도성 소재로 연결 단자를 막아 두어 단락이 발생하지 않게 하십시오.
- ▶ 배터리가 어린이의 손에 닿지 않도록 폐기하십시오.
- ▶ Hilti Store에서 배터리를 폐기하거나 또는 담당 폐기를 처리 업체에 문의하십시오.

Hilti 제품은 대부분 재사용이 가능한 소재로 제작되었습니다. 재활용을 위해 개별 부품을 분리하여 주십시오. Hilti는 대부분의 국가에서 재활용을 위해 노후기기를 수거해 갑니다. Hilti 고객 서비스 센터 또는 판매 담당자에게 문의하십시오.



- ▶ 전동 공구, 전자식 기기 및 배터리를 일반 가정 쓰레기로 폐기하지 마십시오!

## 11 제조회사 보증

- ▶ 보증 조건에 관한 질문사항은 현지 Hilti 파트너사에 문의하십시오.

## 12 기타 정보

작동법, 기술, 환경 및 재활용에 대한 세부 정보는 [qr.hilti.com/manual/?id=2275217&id=2275219](http://qr.hilti.com/manual/?id=2275217&id=2275219)에서 확인할 수 있습니다.

해당 링크는 본 문서 끝에 QR 코드 형식으로도 제시되어 있습니다.



# 原始操作說明

## 1 文件相關資訊

### 1.1 關於此文件

- 初次操作或使用前，請先詳讀此文件。本文件包含安全前提、疑難排解處理和產品使用。
- 請遵守本文件中與產品上的安全說明和警告。
- 操作說明應與產品一起保管，產品交予他人時必須連同操作說明一起轉交。

僅適用於台灣

進口商: 喜利得股份有限公司

地址: 新北市板橋區

新站路16號24樓22041

電話: 0800-221-036

### 1.2 已使用的符號解釋

#### 1.2.1 警告

警告您在操作或使用本產品時可能發生之危險。採用了以下標示文字：



**危險**

危險！

- ▶ 此標語警示會發生對人造成嚴重傷害甚至致死的危險情形。



**警告**

警告！

- ▶ 此標語警示會造成嚴重傷害甚至致死危險的潛在威脅。



**注意**

注意！

- ▶ 請小心會造成人員受傷或對設備及其他財產造成損害的潛在危險情況。

#### 1.2.2 操作說明中的符號

本操作說明中採用以下符號：

|  |                     |
|--|---------------------|
|  | 請遵照操作說明             |
|  | 使用操作說明與其他資訊         |
|  | 處理可回收的材料            |
|  | 不可將電子設備與電池當作家庭廢棄物處置 |
|  | Hilti 鋰電池           |
|  | Hilti 充電器           |

#### 1.2.3 圖解中的符號

圖解中採用了以下符號：

|  |                                 |
|--|---------------------------------|
|  | 號碼對應操作說明的開始處的圖解。                |
|  | 編號代表圖解中的操作步驟順序，可能與內文中的步驟有所不同。   |
|  | 概覽圖解中使用位置編號，方便您對應到產品概覽段落中的圖例編號。 |
|  | 這些特色是為了讓您在操作本產品時可以注意某些重點。       |



### 1.3 產品專屬符號

#### 1.3.1 其他符號

除本文件外，產品上也會標示下列符號：

|               |  |
|---------------|--|
|               | 鑽孔時無鎚擊動作                               |
|               | 以鎚擊動作進行鑽孔（鎚擊鑽孔）                        |
| $n_0$         | 無負載下額定轉速                               |
| /min          | 每分轉數                                   |
| $\varnothing$ | 直徑                                     |
|               | 正轉 / 逆轉                                |
|               | 直流電（DC）                                |
| Li-Ion        | 鋰電池                                    |
|               | 本產品支援近距離無線通訊（NFC）技術，其相容於iOS及Android平台。 |
|               | 請勿將電池使用作為敲擊工具。                         |
|               | 避免電池掉落。不得使用遭受衝擊或其他原因遭成損壞的電池。           |

### 1.4 產品資訊

**HILTI** 產品是針對專業使用者設計，故僅經訓練、認可的人員可操作、維修與維護本產品。必須告知上述人員關於可能遭遇到的特殊危險。若因未經訓練人員操作錯誤或未依照其原本的用途操作，則本產品和它的輔助工具設備有可能會發生危險。

類型名稱和序號都標示於額定銘牌上。

- ▶ 在下方表格中填入序號。與Hilti維修中心或當地Hilti機關聯絡查詢產品相關事宜時，我們需要您提供產品詳細資訊。

#### 產品資訊

|           |                    |
|-----------|--------------------|
| 電鑽   鎚擊電鑽 | SF 6H-22   SF 6-22 |
| 產品代別      | 03                 |
| 序號        |                    |

### 1.5 符合聲明

基於製造商唯一的責任，本公司在此聲明本產品符合適用法規及標準。本文件結尾處有符合聲明之副本。技術文件已歸檔：

Hilti Entwicklungsgesellschaft mbH | Tool Certification | Hiltistrasse 6 | D-86916 Kaufering, Germany

## 2 安全性

### 2.1 一般電動機具安全警告

**⚠ 警告** 請詳閱本電動機具提供的所有安全警告、指示、圖解和說明。未能遵守以下所有指示可能會造成電擊事故、火災和 / 或嚴重的傷害。

妥善保存所有警告及說明，以供將來參考。

注意事項中的「機具」係指使用電源（有線）或電池（無線）的電動機具。

#### 工作區域安全

- ▶ 請保持工作區的清潔與採光充足。雜亂而昏暗的工作區會導致意外發生。
- ▶ 勿在容易發生爆炸的環境中使用機具，例如有可燃性液體、瓦斯或粉塵存在的環境。機具產生的火花可能會引燃塵埃或煙霧。



- ▶ 操作機具時，請與兒童及旁人保持距離。注意力不集中時容易發生失控的情形。

#### 電力安全

- ▶ 機具插頭與插座須能互相搭配。勿以任何方式改裝插頭。勿將任何變壓器插頭與與地面接觸（接地）的電動機具搭配使用。未經改裝的插頭以及能互相搭配的插座可減少發生電擊的危險。
- ▶ 避免讓身體碰觸到如管線、散熱器、爐灶與冰箱等與土地或地表接觸之物品。如果您的身體接觸到地表或地面，將增加電擊的危險。
- ▶ 請勿將機具曝露在下雨或潮濕的環境中。若水氣進入機具中將增加觸電的危險。
- ▶ 勿濫用電纜線。勿以電纜線吊掛、拖拉機具或拔下機具插頭。電纜線應避開熱氣、油、銳利的邊緣或移動性零件。電纜線損壞或纏繞會增加發生電擊事故的危險。
- ▶ 於室外操作機具時，須使用適用於戶外的延長線。使用適合戶外使用的延長線可降低觸電的風險。
- ▶ 如果無法避免在潮濕的地點操作機具，請使用漏電斷路器（RCD）保護電源供應器。使用漏電斷路器（RCD）可降低電擊的風險。

#### 人員安全

- ▶ 操作機具時，請提高警覺，注意進行中的工作並善用常識。感到疲勞或受到藥物、酒精或治療的影響時勿使用機具。操作機具時稍不留神就可能造成嚴重的人員傷亡。
- ▶ 穿戴個人防護裝備。請隨時穿戴眼罩。適當使用防塵面罩、防滑鞋、安全帽及耳罩等安全防護配備可減少人員的傷害。
- ▶ 避免不經意的啟動。在接上電源或電池組、抬起或攜帶機具之前，務必確認開關處於關閉的位置。攜帶機具時，如果把手指放在開關上，或在開關開啟時，將機具插上插頭容易發生意外。
- ▶ 啟動機具前，應將所有調整鑰匙或扳手移開。將扳手或鑰匙留在機具的旋轉零件中可能會造成人員傷害。
- ▶ 勿將手伸出過遠。隨時站穩並維持平衡。這可讓您在意外情況發生時，對機具有較好的控制。
- ▶ 穿著適當服裝。請勿穿著寬鬆的衣服或佩戴珠寶。頭髮、衣服與手套應遠離移動性零件。移動性零件可能會夾到寬鬆的衣服、珠寶或長髮。
- ▶ 如果機具可連接吸塵裝置與集塵設備，請連接並適當使用這些設備。使用集塵裝置可降低與粉塵有關的危險。
- ▶ 請勿因頻繁而習慣使用機具便疏於遵守或忽略機具的安全規範。草率使用可能在轉眼間便造成嚴重的傷害。

#### 機具使用與保養

- ▶ 不可強制使用機具。依據用途使用正確的機具。根據設計的速率使用機具可更快速安全地完成工作。
- ▶ 若開關無法啟動或關閉電動工具時，請勿使用電動工具。任何無法以開關控制的機具都很危險且需要維修。
- ▶ 在進行任何調整、更換配件、或貯放電動機具前，請先將插頭拔離插座和 / 或將電池組自電動機具卸下（如可拆卸）。此預防安全措施可降低機具意外啟動的風險。
- ▶ 將閒置的機具貯放在兒童拿不到的地方，勿讓不熟悉或未詳閱本說明的人員操作本機具。機具在未經訓練的使用者手中是很危險的。
- ▶ 維護機具與配件。請檢查移動性零件有無偏移或黏合的情形、零件有無破損，以及任何會影響機具運轉的狀況。如果機具受損，請先維修後再使用。很多意外便是由維護不當的機具造成的。
- ▶ 保持切割機具的銳利與清潔。具銳利切割邊緣的切割機具如果得到適當的維護，便較不會發生黏合的現象，且較容易控制。
- ▶ 遵守本指示說明使用機具、配件和工具組等，並考量工作條件與待進行的工作。將機具用在原目的之外用途可能會造成危險。
- ▶ 保持握把與其表面的乾燥、清潔且不要讓上面出現油漬。握把及其表面濕滑會在意外情況中造成機具無法安全掌控。

#### 電池機具的使用與保養

- ▶ 務必使用原廠指定的充電器進行充電。將適合特定類型電池的充電器使用在其他電池時，會有造成火災的危險。
- ▶ 務必使用機具特別指定的電池匣。使用其他的電池匣可能會造成受傷或火災。
- ▶ 電池匣未使用時，請將其遠離如迴紋針、錢幣、鑰匙、針、固定釘或其他會在電池兩極間形成連結的小型金屬物件。在電池兩極間建立短路可能會造成灼傷或火災。
- ▶ 若使用不當，可能會有液體由電池流出；請避免接觸該液體。若不慎接觸，請以清水沖洗。如果不小心讓液體接觸到眼睛，請立即尋求醫療援助。從電池中滲出的液體，可能會導致過敏或灼傷。
- ▶ 請勿使用損壞或改裝過的電池組或機具。受損或改裝過的電池可能會無法正常運作而造成起火、爆炸或受傷的風險。
- ▶ 請勿將電池組或機具曝露在火源或極端的溫度環境中。曝露在火源或溫度超過130°C (265°F) 的環境下可能會造成爆炸。
- ▶ 請遵守充電操作說明且不要在說明所載的溫度範圍之外為電池組或機具充電。不當充電或在指定溫度範圍外充電均可能造成電池損壞並提高起火的風險。





## 維修服務

- ▶ 請將機具交給合格的維修人員進行維修，並使用相同的替代零件。這可確保維護機具安全。
- ▶ 請勿自行維修損壞的電池。損壞的電池僅可由製造商或授權的維修商進行維修。

## 2.2 鑽孔安全性警告

### 所有操作的安全說明

- ▶ 衝擊鑽孔時請戴上耳罩。暴露於噪音環境下會導致聽力受損。
- ▶ 使用輔助握把。機具失控可能會導致人員受傷。
- ▶ 當所進行的工作，其切割配件或固定釘可能會接觸到隱藏配線，進行操作時請握住機具的絕緣握把。與「導電」電線接觸的切割配件或固定釘可能會導致機具暴露在外金屬零件「導電」，使得操作人員遭受電擊。

### 使用長鑽頭的安全操作說明

- ▶ 請勿以高於鑽頭最大額定速率的速度操作。在高速下，若鑽頭未接觸工件空轉可能會彎曲，造成人員受傷。
- ▶ 請務必讓鑽頭尖端在接觸工件的狀態下以低速開始鑽孔。在高速下，若鑽頭未接觸工件空轉可能會彎曲，造成人員受傷。
- ▶ 施加壓力時必須與鑽頭成一直線，切勿施以過大壓力。鑽頭彎曲會導致鑽頭斷裂或機具失控，造成人員受傷。

## 2.3 螺絲起子的其他安全預防措施

- ▶ 僅在本產品和配件能正常運轉時使用。
- ▶ 勿嘗試以任何方式改裝產品或配件。
- ▶ 開始工作前，請先檢查工作區域是否有隱藏的電纜線、瓦斯管或水管。電線、天然氣管線或水管若損壞，本產品外側上的金屬零件可能導致觸電或爆炸。
- ▶ 研磨、切割和鑽孔時產生的粉塵可能含有危險的化學物質。例如：鉛或以鉛為基底的顏料；磚塊、混凝土和其他建材產品、天然石材和其他含矽酸鹽的產品；橡木、山毛櫸等特定木材以及化學處理的木材；石棉或含有石棉的物質。根據操作員工作時接觸的物質危險等級來決定操作員和其他人員暴露在該環境的程度。採取必要的措施，以將暴露相關條件維持在安全等級上，例如：使用吸塵系統或配戴合適的防護面罩。降低在該環境下的暴露程度的一般措施包括：
  - ▶ 工作區域保持良好通風
  - ▶ 避免長時間接觸粉塵
  - ▶ 清除臉部和身體上的粉塵
  - ▶ 穿著防護衣，用水和肥皂清洗裸露在外的身體部位
- ▶ 掉落的工具和配件有導致受傷的危險。開始作業前，請確認電池和安裝的附件已確實固定。
- ▶ 如果工作包括鑿穿作業，請於工件另一面採取適當防護措施。鑿穿的碎片會掉落並使他人受傷。
  - ▶ 本產品可能會在牆面瞬間鑿穿時使您失去平衡。請注意：在牆壁或天花板上進行鑿穿作業時，務必站穩並保持平衡。
- ▶ 勿使用已經鈍化的鑽頭。
- ▶ 請使用本產品隨附的輔助握把。機具失控可能會導致人員受傷。檢查確認輔助握把是否固定牢靠並安裝妥當。
- ▶ 請先將本產品移至加工位置上，才將它啟動。
- ▶ 以雙手握持機具本身握把。請保持機具握把清潔和乾燥。
- ▶ 通風口請務必隨時保持暢通。因通風口被蓋住而有火災之虞！
- ▶ 不可碰觸旋轉中零件 – 有受傷的危險！
- ▶ 使用本產品時請配戴護目鏡、安全帽、耳罩和合適的防護面罩。
- ▶ 穿戴護目鏡。飛散的碎片可能會傷害身體與眼睛。
- ▶ 請勿直視本產品的光源（LED），並且勿將光束瞄準其他人的臉部。如此可預防眩暈或眼睛受傷的危險。
- ▶ 請經常休息，並活動您的手指以促進血液循環。長時間暴露在劇烈震動下會造成手指、手掌和手腕的血管或神經系統失調。
- ▶ 請等候本產品完全靜止再將其放下。
- ▶ 更換切割碟片時，請穿戴防護手套。觸摸配件工具會造成割傷或灼傷。

## 2.4 小心處理和使用電池

- ▶ 請遵守下列安全操作和使用鋰電池的安全注意事項。若未遵守，可能造成皮膚不適、嚴重腐蝕、化學燙傷、起火和/或爆炸。
- ▶ 請使用狀態完好無損的電池。



- ▶ 請小心處理電池，以避免其受損以及防止會嚴重危及健康的液體流出！
- ▶ 電池嚴禁修改或改裝！
- ▶ 請勿拆解、擠壓或焚燒電池，且不可將電池置放在溫度超過80°C (176°F) 的環境中。
- ▶ 電池受過衝擊或其他損壞後，請勿使用或充電。請定期檢查電池是否有損壞的跡象。
- ▶ 請勿使用回收或維修過的電池。
- ▶ 請勿將電池或電池供電之機具作為鎚子使用。
- ▶ 請勿讓電池暴露在直接日曬、溫度過高、有火花或明火的環境中，否則可能導致爆炸。
- ▶ 請勿用手指、工具、珠寶或其他會導電的物品觸摸電池極柱，否則可能導致電池損壞、財物損失和人員受傷。
- ▶ 電池應避免淋雨、潮濕和水氣。水氣滲入會造成短路、觸電、燙傷、起火和爆炸。
- ▶ 請使用適用於該電池型號的充電器與電動工具。請詳閱並遵守相關操作說明書中的說明。
- ▶ 請勿在易爆炸環境中使用或存放電池。
- ▶ 若電池溫度過高無法觸摸，表示電池可能已經毀損。將電池放在清楚可見且沒有火災危險、遠離易燃材料的位置，讓電池冷卻。若一小時後電池溫度仍然過高無法觸摸，表示電池可能已經毀損。請洽詢Hilti維修中心或詳讀「Hilti鋰電池安全注意事項和使用」文件。

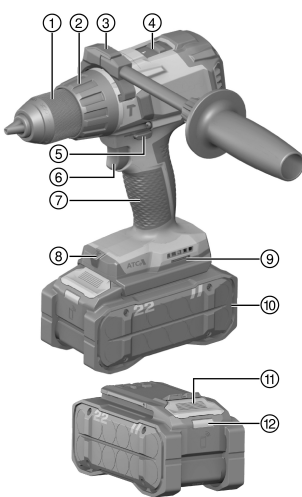


請遵守適用於運輸、存放和使用鋰離子電池的專用指令。→ 頁次 169

請透過本操作說明書末尾的條碼取得並詳讀Hilti鋰電池安全注意事項和使用。

### 3 說明

#### 3.1 產品總覽



- ① 自動鑽夾頭
- ② 扭力與操作模式選擇環
- ③ 側向握把
- ④ 檔位選擇開關
- ⑤ 具有搬運安全鎖扣的正轉 / 逆轉開關
- ⑥ 具有電子轉速控制功能的控制開關
- ⑦ 握把
- ⑧ 工作區域照明 (LED)
- ⑨ 配備安裝開孔
- ⑩ 電池
- ⑪ 電池拆卸鈕
- ⑫ 電池狀態指示燈

#### 3.2 用途

本文所述產品為手持充電式電鑽 / 起子。適用於在鋼材、木材、塑膠、多孔混凝土和石材上進行鑽孔以及裝卸螺絲。

- 本產品限使用B 22Hilti系列Nuron鋰電池。為達最理想的效能，Hilti建議本產品使用本操作說明書末尾表格中所列的電池。
- 僅可使用本操作說明末尾表格中所列的Hilti系列的電池充電器為電池充電。

#### 3.3 主動扭力控制 (ATC)

本產品配備主動扭力控制 (ATC, Active Torque Control) 快速斷電系統。

若配件工具卡住或空轉時，產品會突然朝自身軸的反方向轉動。ATC會偵測到產品突然旋轉的動作，並且立刻關閉產品。





為了讓ATC可以正常運作，產品本身不能旋轉。  
在ATC斷電後，請關閉產品再開啟。

### 3.4 過載和過熱指示燈

本產品配有電子式保護系統，可以提供保護避免過載和過熱。過載或過熱時本產品會自動關閉。將控制開關鬆開後再次按下，本產品可能不會立刻重新啟動（冷卻階段）。

### 3.5 鋰電池的顯示幕

Hilti Nuron鋰電池會顯示電池的電力、錯誤訊息和狀態。

#### 3.5.1 電力和錯誤訊息的顯示



**警告**

有受傷的危險！因電池掉落

▶ 電池已插入時，請在按下拆卸鈕後確保電池重新正確地卡入所使用的產品中。

如欲獲得下列其中一個顯示畫面，請短按電池拆卸鈕。

只要已連接的產品已啟動，也會持續顯示充電狀態和可能的功能故障。

| 狀態               | 意義   |
|------------------|--|
| 四個 (4) LED持續亮綠燈  | 充電狀態：100 %至71 %  |
| 三個 (3) LED持續亮綠燈。 | 充電狀態：70 %至51 %   |
| 兩個 (2) LED持續亮綠燈。 | 充電狀態：50 %至26 %   |
| 一個 (1) LED持續亮綠燈。 | 充電狀態：25 %至10 %   |
| 一個 (1) LED緩慢閃綠燈。 | 充電狀態：< 10 %  |
| 一個 (1) LED快速閃綠燈。 | 鋰電池已完全沒電。裝入電池。<br>電池充電後若LED仍快速閃爍，請洽詢Hilti維修中心。   |
| 一個 (1) LED快速閃黃燈。 | 鋰電池或與之連接的產品過載、溫度太高、溫度太低或有其他故障情形。<br>請讓產品和電池維持在建議的操作溫度，並在使用時不要使產品過載。<br>若訊息持續存在，請洽詢Hilti維修中心。 |
| 一個 (1) LED亮黃燈    | 鋰電池和與其連接的產品不相容。請聯絡Hilti維修中心。   |
| 一個 (1) LED快速閃紅燈  | 鋰電池已鎖定，無法繼續使用。請聯絡Hilti維修中心。  |

#### 3.5.2 顯示電池狀態

如欲檢查電池狀態，請按住拆卸鈕3秒鐘以上。系統無法偵測到電池因掉落、刺穿、外部熱損傷等錯誤使用造成的潛在功能故障。

| 狀態                            | 意義   |
|-------------------------------|--|
| 所有LED以跑馬燈形式亮起，然後一個LED持續亮起綠色。  | 電池仍可繼續使用。  |
| 所有LED以跑馬燈形式亮起，然後一個LED快速閃爍黃色。  | 無法完成有關電池狀態的查詢。請重複上述程序或洽詢Hilti維修中心。   |
| 所有LED以跑馬燈形式亮起，然後一個LED持續亮起綠紅色。 | 若連接之產品仍可繼續使用，剩餘的電池容量會低於50%。<br>若連接之產品無法使用，表示電池已達最終使用壽命，應進行更換。請聯絡Hilti維修中心。 |

### 3.6 配備及數量

電鑽 / 起子、側向握把、操作說明。

關於本產品，您可於當地[www.hilti.group](http://www.hilti.group)或網站查詢其他經過認證可搭配使用的系統產品：Hilti Store



2275219

繁體中文

165

|   |           | <b>SF 6-22</b>       | <b>SF 6H-22</b>      |
|---|-----------|----------------------|----------------------|
| <b>額定電壓</b>                                 |           | 21.6 V <sub>DC</sub> | 21.6 V <sub>DC</sub> |
| <b>重量依據EPTA Procedure 01不含電池</b>            |           | 2.0 kg               | 2.0 kg               |
| <b>轉數</b>                                   | <b>1檔</b> | 0 rpm ... 490 rpm    | 0 rpm ... 490 rpm    |
|   | <b>2檔</b> | 0 rpm ... 2,000 rpm  | 0 rpm ... 2,000 rpm  |
| <b>扭力 (軟材料鎖螺絲) <math>\frac{1}{2}</math></b> |           | ≤ 65 Nm              | ≤ 65 Nm              |
| <b>衝擊速度</b>                                 |           | */*                  | 36,000 rpm           |
| <b>操作時的環境溫度</b>                             |           | -17 °C ... 60 °C     | -17 °C ... 60 °C     |
| <b>貯放溫度</b>                                 |           | -20 °C ... 70 °C     | -20 °C ... 70 °C     |

**4.1 電池**

|                 |                  |
|-----------------|------------------|
| <b>電池操作電壓</b>   | 21.6 V           |
| <b>電池重量</b>     | 請參閱本操作說明書結尾處     |
| <b>操作時的環境溫度</b> | -17 °C ... 60 °C |
| <b>貯放溫度</b>     | -20 °C ... 40 °C |
| <b>電池充電啟動溫度</b> | -10 °C ... 45 °C |

**4.2 配件工具 - 容許直徑**

|                              | <b>SF 6-22</b>   | <b>SF 6H-22</b>  |
|------------------------------|------------------|------------------|
| <b>Ø自動鑽夾頭的範圍</b>             | 1.5 mm ... 13 mm | 1.5 mm ... 13 mm |
| <b>Ø木材鑽頭 (硬木)</b>            | 1.5 mm ... 20 mm | 1.5 mm ... 20 mm |
| <b>Ø木材鑽頭 (軟木)</b>            | 1.5 mm ... 32 mm | 1.5 mm ... 32 mm |
| <b>Ø金屬用鑽頭</b>                | 1.5 mm ... 13 mm | 1.5 mm ... 13 mm |
| <b>Ø於混凝土 / 石材鑽孔 (鎚擊動作鑽孔)</b> | */*              | 4 mm ... 12 mm   |

**4.3 噪音資訊和震動值 (依據EN 62841)**

操作說明中所提供之音壓和震動值已參照標準測量，並可用來比較不同機具之噪音。它們也可作為噪音量的初步評估。

提供之資料表示機具主要應用時之數值。若機具應用於不同之用途，搭配不同的配件工具或在保養不良的情況下，其數據會有所不同。在作業過程中，這會大幅提高其噪音量。

當機具關閉，或開啟但未進行任何作業時也應列入考量，才能準確評估噪音量。在作業過程中，這會大幅降低其噪音量。

確認其他安全措施，以保護操作員不受噪音和 / 或震動影響，例如：保養機具與其配件、操作前保持雙手溫暖、作業型式之安排等。

**震動值**

|                                    | <b>SF 6-22</b> | <b>SF 6H-22</b> |
|------------------------------------|----------------|-----------------|
| <b>釋放的音壓級數 (L<sub>pA</sub>)</b>    | 74.5 dB(A)     | 94.5 dB(A)      |
| <b>無法判定的音壓級數 (K<sub>pA</sub>)</b>  | 5 dB(A)        | 5 dB(A)         |
| <b>聲功率級數 (L<sub>WA</sub>)</b>      | 85.5 dB(A)     | 105.5 dB(A)     |
| <b>無法判定的聲功率級數 (K<sub>WA</sub>)</b> | 5 dB(A)        | 5 dB(A)         |

**總震動**

|                                     |                 | <b>SF 6-22</b>       | <b>SF 6H-22</b>      |
|-------------------------------------|-----------------|----------------------|----------------------|
| <b>金屬鑽孔的震動噪音值 (a<sub>n,D</sub>)</b> | <b>B 22-85</b>  | 1.0 m/s <sup>2</sup> | 1.2 m/s <sup>2</sup> |
|                                     | <b>B 22-170</b> | 0.7 m/s <sup>2</sup> | 1.1 m/s <sup>2</sup> |
| <b>無法判定的金屬鑽孔 (K)</b>                |                 | 1.5 m/s <sup>2</sup> | 1.5 m/s <sup>2</sup> |



|                                   |          | SF 6-22 | SF 6H-22              |
|-----------------------------------|----------|---------|-----------------------|
| 混凝土鏈擊動作鑽孔時的震動噪音值<br>( $a_{h,D}$ ) | B 22-85  | •/•     | 11.9 m/s <sup>2</sup> |
|                                   | B 22-170 | •/•     | 10.6 m/s <sup>2</sup> |
| 無法判定的混凝土鏈擊動作鑽孔 (K)                |          | •/•     | 1.5 m/s <sup>2</sup>  |

## 5 工作場所的準備工作

### 警告

有受傷的風險！因意外啟動

- ▶ 置入電池前，請確認產品已關閉。
- ▶ 在調整機具或變更配件前請先將電池拆下。

請遵守本文中與產品上的安全說明和警告。

### 5.1 為電池充電

1. 電池充電前，請閱讀充電器的操作手冊。
2. 確認電池的接點和充電器的接點清潔且乾燥。
3. 請使用經認可的充電器對電池充電。→ 頁次 164

### 5.2 置入電池

#### 警告

有受傷的危險 因短路或電池掉落！

- ▶ 置入電池前，請確認電池的接點及產品的接點上無任何異物。
- ▶ 確認電池已確實咬合。

1. 初次使用前，請將電池完全充電。
2. 將電池推入產品中，直到聽到卡入聲。
3. 請檢查電池是否安裝牢固。

### 5.3 卸下電池

1. 按下電池拆卸鈕。
2. 將電池從產品卸下。

### 5.4 安裝側向握把

#### 注意

有受傷的危險！旋轉鏈鑽失控。

- ▶ 檢查側向握把是否正確安裝且緊固。確認夾具已確實固定在對應的溝槽中。

1. 旋轉握把以鬆開側向握把的夾具。
2. 將側向握把夾緊帶完全放在外殼上，然後將夾頭推入對應的溝槽中。
3. 旋轉握把以鎖緊側向握把的夾具。

### 5.5 安裝配件工具

1. 打開自動鑽夾頭。
2. 將配件工具插入夾頭。
3. 鎖緊自動鑽夾頭。
4. 確認配件工具已確實鎖住。




## 5.6 防墜安全裝置

### 警告

有受傷的危險 因工具和/或配件掉落所致！

- ▶ 請您務必使用本公司建議與本產品搭配使用的Hilti工具繫繩吊環。
- ▶ 每次使用前，應要檢查工具繫繩吊環的固定點有無損壞跡象。
- ▶ 請勿將工具繫繩吊環固定於皮帶掛鉤上。請勿透過皮帶掛鉤來提起本產品。

 請您遵守各國的高處作業規範。

請僅使用Hilti防掉落擊發裝置和Hilti工具繫繩吊環#2261970的組合，作為本產品的防墜保護。

- ▶ 將防掉落擊發裝置固定在配件的安裝開口內。檢查其是否確實牢固。
- ▶ 將工具繫繩吊環的一個彈簧鈎扣固定在防掉落擊發裝置上，再將另一個彈簧鈎扣固定在具支承功能的結構上。檢查兩個彈簧鈎扣是否確實牢固。

 請遵守Hilti防掉落擊發裝置和Hilti工具繫繩吊環的操作說明書。

## 6 操作

### 注意

配備工具若卡死，可能造成人員受傷！

- ▶ 檢查側向握把是否正確安裝且緊固。以雙手握持機具本身握把。
- ▶ 請使用護目鏡以阻隔飛散的碎片。

請遵守本文件中與產品上的安全說明和警告。

### 6.1 選擇檔位


- ▶ 選擇檔位。

### 6.2 正轉或逆轉設定

- ▶ 依適用情況，將正轉 / 逆轉選擇開關設定為正轉或逆轉。

### 6.3 開啟開關


- ▶ 按下控制開關。
  - ▶ 產品啟動。

 視控制開關的壓入深度而定，轉數可無段式調節。


### 6.4 螺絲起子作業

- ▶ 將扭力與操作模式選擇環旋轉至所需的記號處。

### 6.5 鑽孔

- ▶ 調好扭力與操作模式選擇環 

### 6.6 鎚擊鑽孔

- ▶ 調好扭力與操作模式選擇環 

### 6.7 關閉開關

- ▶ 鬆開控制開關。
  - ▶ 機具即關閉。



## 7 維護及保養

### 警告

電池裝入時有受傷的危險！

- ▶ 進行維護及保養前，請務必卸下電池！

### 產品保養

- 小心地清除頑強的髒污。
- 若有，請使用乾燥的軟刷子小心地清潔通風口。
- 僅可使用微濕的軟布清潔機殼。請勿使用含矽膠的清潔或亮光劑，因為可能會造成塑膠零件損壞。
- 請使用乾淨的乾布清潔產品的接點。

### 鋰電池的保養

- 通風口堵塞時請勿使用電池。請使用乾燥的軟刷子小心地清潔通風口。
- 請避免電池暴露在粉塵或髒污的環境之中。請勿讓電池接觸過高的濕氣（例如：浸入水中或淋雨）。
- 電池若濕透，請將該電池視為已受損。請將電池隔絕在不可燃的容器內，並洽詢Hilti維修中心。
- 避免電池沾上油脂。避免讓電池上積聚粉塵或髒污。請使用乾燥的軟刷或乾淨的乾布清潔電池。請勿使用含矽膠的清潔或亮光劑，因為可能會造成塑膠零件損壞。
- 請勿觸摸電池的觸點或從觸點上去除出廠塗敷的油脂
- 僅可使用微濕的軟布清潔機殼。請勿使用含矽膠的清潔或亮光劑，因為可能會造成塑膠零件損壞。

### 維護

- 定期檢查外部零件和控制元件有無損壞跡象，並確認它們運作正常。
- 如果有損壞跡象或任何零件功能故障，請不要操作本產品。請立即將產品交付Hilti維修中心進行維修。
- 清潔及保養後，裝上所有防護套或保護裝置並檢查功能是否正常。



為確保操作的安全及可靠性，請務必使用原廠Hilti備件與耗材。您可以在Hilti Store或在以下網站選購Hilti認可的備用零件、耗材和配件：[www.hilti.group](http://www.hilti.group)

## 8 充電式機具和電池的運輸與存放

### 搬運

#### 注意

搬運時意外啟動！

- ▶ 搬運產品時務必卸下電池！
- ▶ 取出電池。
- ▶ 切勿散裝運輸電池。運送過程中，應保護電池避免衝擊與震動並與導電物質或其他電池隔離，以免因與電池端子接觸而造成短路。請遵守您所在地當地的電池運輸規範。
- ▶ 請勿以郵寄方式遞送電池。若要運送未損壞之電池，請洽詢運送服務商。
- ▶ 每次使用前以及長途運輸前後請檢查本產品和電池是否受損。

### 設備的貯放

#### 警告

瑕疵或漏液的電池所造成的意外損害！

- ▶ 存放產品時，一律不可插入電池！
- ▶ 請將本產品和電池存放在陰涼及乾燥處。請遵守技術性數據中所規定的溫度極限值。
- ▶ 請勿將電池貯放在充電器中。完成充電程序後，請將電池從充電器取出。
- ▶ 請勿將電池存放在有日光直射處、熱源上或玻璃後方。
- ▶ 請將本產品和電池存放在兒童或未授權人員無法觸及的地點。
- ▶ 每次使用前以及長時間存放前後請檢查本產品和電池是否受損。

## 9 故障排除

發生任何故障時，請您留意電池充電狀態及故障指示燈。請參閱鋰電池指示器章節。

若您遇到未列出的問題或是無法自行排除的問題，請聯絡Hilti維修中心。

| 故障      | 可能原因      | 解決方法            |
|---------|-----------|-----------------|
| 產品無法運作。 | 沒有正確安裝電池。 | ▶ 裝入電池。→ 頁次 167 |



| 故障                      | 可能原因                   | 解決方法                                      |
|-------------------------|------------------------|---|
| 無法按下控制開關，或開關卡住。         | 正轉 / 逆轉開關位於中間位置（搬運位置）。 | ▶ 依適用情況，將正轉 / 逆轉選擇開關設定為正轉或逆轉。<br>→ 頁次 168 |
| 本產品或電池的溫度極高             | 電力故障                   | ▶ 請立即關閉產品並取下電池。在觀察下待其冷卻。聯絡Hilti維修中心。      |
| 電池的LED未亮起               | 電池故障                   | ▶ 聯絡Hilti維修中心。                            |
| SF 6H-22<br>不得進行鎚擊動作鑽孔。 | 選擇環未確實旋轉至操作模式。         | ▶ 請將選擇環設成「鎚擊鑽孔」功能符。                       |

## 10 廢棄設備處置



### 警告

不當的廢棄物處理可能導致人員受傷！洩漏出來的氣體或液體有害健康。

- ▶ 請勿以郵寄方式寄送電池。
- ▶ 將電池端子上不導電物質（例如絕緣膠帶）以避免短路。
- ▶ 請將電池棄置於兒童無法觸及的地方。
- ▶ 請將該電池送交Hilti Store處理或洽詢權責的廢棄處理公司。

Hilti產品所採用的材料大部分均可回收再利用。材料在回收前必須正確地分類。Hilti在許多國家都有提供老舊機具回收服務。請洽詢Hilti客服中心或您在地的經銷商。



- ▶ 請勿將機具、電子設備或電池當作一般家用廢棄物處理！

## 11 製造商保固

- ▶ 如果您對於保固條件有任何問題，請聯絡當地Hilti代理商。

Hilti Taiwan Co., Ltd.

4/F, No. 2 Jen Ai Road, Sec. 2, Taipei, 10060 Taiwan

Tel. +886 2 2357 9090

## 12 其他資訊

有關於操作、技術、環境和回收的更多資訊，請參訪以下連結：  
[qr.hilti.com/manual/?id=2275217&id=2275219](http://qr.hilti.com/manual/?id=2275217&id=2275219)

您也可在文件最後找到本連結的QR碼。

## 原版操作说明

### 1 文档信息

#### 1.1 关于该文档

- 首次操作或使用前，请先阅读本文档。这是安全、无故障地操作和使用产品的前提条件。
- 请遵守本文档中以及产品上的安全说明和警告。
- 请务必将本操作说明与本产品保存在一起，确保将操作说明随产品一起交给他人。

#### 1.2 所用标志的说明

##### 1.2.1 警告

警告是为了提醒您在处理或使用此产品时会发生的危险。使用以下信号词：





-危险-

危险！

- ▶ 用于让人们能够注意到会导致严重身体伤害或致命的迫近危险。

-警告-

警告！

- ▶ 用于提醒人们注意可能导致严重或致命伤害的潜在危险。

-小心-

小心！

- ▶ 用于提醒人们注意可能造成人身伤害、设备损坏或其他财产损失的潜在危险情况。

### 1.2.2 操作说明中的符号

本操作说明中使用下列符号：

|  |                    |
|--|--------------------|
|  | 遵守操作说明             |
|  | 使用说明和其他有用信息        |
|  | 处理可回收材料            |
|  | 不得将电气设备和电池作为生活垃圾处置 |
|  | Hilti 锂离子电池        |
|  | Hilti 充电器          |

### 1.2.3 图示中的符号

图示中使用了下列符号：

|   |                                 |
|---|---------------------------------|
|   | 这些编号指本操作说明开始处的相应图示。             |
| 3 | 图示中的编号反映操作顺序，可能与文本中描述的步骤不同。     |
|   | 位置编号被用于 概览 图中并表示 产品概览 段落中的图例编号。 |
|   | 这些字符旨在提醒您特别注意操作本产品时的某些要点。       |

## 1.3 与产品相关的标志

### 1.3.1 附加符号

在本文档或产品上还可以使用以下符号：

|               |                 |
|---------------|-----------------|
|               | 不通过锤击作用钻孔       |
|               | 通过锤击作用钻孔 (锤击钻孔) |
| $n_0$         | 无负荷下的额定转速       |
| /min          | 每分钟转数           |
| $\varnothing$ | 直径              |
|               | 正逆转             |
|               | 直流电 (DC)        |
| Li-Ion        | 锂离子电池           |



|  |                                   |
|--|-----------------------------------|
|  | 本产品支持近场通信 (NFC) 技术, 兼容 iOS 和安卓平台。 |
|  | 切勿将电池用作敲击工具。                      |
|  | 请勿让电池掉落。切勿使用受到撞击或有任何损坏的电池。        |

#### 1.4 产品信息

产品设计适用于专业用户, 只有经过专门训练的授权人员才允许操作、维修和维护本产品。必须将任何可能的危险专门告知该人员。不按照说明使用或由未经培训的人员不正确地使用本产品及其辅助设备可能会带来危险。

型号名称和序列号印在铭牌上。

- ▶ 在下表中填写序列号。在联系 Hilti 维修中心或当地 Hilti 机构询问产品时, 将要求您提供产品的详细信息。  
产品信息

|             |                    |
|-------------|--------------------|
| 起子机   冲击起子机 | SF 6H-22   SF 6-22 |
| 代次          | 03                 |
| 序列号         |                    |

#### 1.5 符合性声明

制造商全权负责声明, 此处所述及的产品符合现行法规和标准。一致性声明副本位于本文档结尾处。

技术文档在此处归档:

Hilti Entwicklungsgesellschaft mbH | Tool Certification | Hiltistrasse 6 | D-86916 Kaufering, Germany

## 2 安全

### 2.1 一般电动工具安全警告

**警告** 请阅读本电动工具随附的所有安全警告、说明、图示和技术规范。不遵守下列所有操作说明可能会导致电击、火灾和/或严重人身伤害。

请保存所有安全警告和操作说明, 以供将来参考。

在所有下列的警告中术语“电动工具”指市电驱动 (有线) 电动工具或电池驱动 (无线) 电动工具。

#### 工作区域安全

- ▶ 保持工作区域清洁和良好照明。杂乱和黑暗的区域容易导致事故。
- ▶ 不要在爆炸性环境中操作电动工具, 例如有易燃液体、气体或灰尘。电动工具会产生可以点燃这些灰尘或烟雾的火花。
- ▶ 在操作电动工具时, 要令儿童和旁观者远离工作现场。万一分心, 可能会使您失去对电动工具的控制。

#### 电气安全

- ▶ 电动工具 (设备) 插头必须匹配电源插座。切勿以任何方式改动插头。对于接地的电动工具 (设备), 不要使用任何适配器插头。使用未经改动的插头和匹配的电源插座可以大大减少电击危险。
- ▶ 避免人体接触接地表面, 如管道、散热片和冰箱。如果您的身体接地, 则会增加电击危险。
- ▶ 不要将电动工具暴露在雨水或潮湿环境中。电动工具进水将会增加电击危险。
- ▶ 不要滥用电缆。切勿使用电缆运送、拉动或拔出电动工具。保持电缆远离高温、油、锋利边缘或运动部件。电缆损坏或缠绕会增加电击危险。
- ▶ 当在户外操作电动工具时, 应使用经认可适合户外操作的加长电缆。使用适合户外使用的电缆可减少电击危险。
- ▶ 如果在潮湿环境下操作电动工具是不可避免的, 应使用剩余电流动作保护器 (RCD)。使用 RCD 可减小电击危险。

#### 人身安全

- ▶ 保持警觉, 注意您正在进行的工作, 并在操作电动工具的过程中, 应利用自己的判断能力。当您疲劳或受到药物、酒精或医疗影响时, 请不要使用电动工具。当操作电动工具时, 瞬间的分心都可能导致严重的人身伤害。
- ▶ 使用个人防护装备。一定要戴上护目装置。安全装置, 诸如适当条件下使用防尘面具、防滑安全鞋、安全帽、听力防护等装置能减少人身伤害。
- ▶ 防止电动工具意外启动。在连接至电源和/或电池组、拿起或搬运电动工具之前, 应确保开关处于“关闭”位置。将手指放在开关上搬运电动工具或在开关处于“打开”位置时接通电源, 都可能会导致事故发生。



- ▶ 在打开电动工具之前，必须拿掉任何调整键或扳手。让扳手或调整键留在电动工具的旋转部件上可能会导致人身伤害。
- ▶ 不要操之过急。应时刻保持正确的站姿和平衡。这在意外情况下能够更好地控制电动工具。
- ▶ 应确保正确着装。不要穿着松垮的衣服或佩戴首饰。让头发和衣服远离运动部件。松垮的衣服、首饰或长发会卡在运动部件中。
- ▶ 如果提供有助于连接除尘和集尘设施的装置，应确保将它们连接好并正确使用。使用除尘装置可以减少与灰尘相关的危险。
- ▶ 经常使用工具能令您获得较高的熟练度，但不能因此掉以轻心和忽视工具安全准则。一次不慎操作就会在瞬间导致重伤。

#### 电动工具的使用和维护

- ▶ 不要强制使用电动工具。针对您的应用场合使用正确的电动工具。正确的电动工具在其额定设计值范围内将能够更好和更安全地工作。
- ▶ 如果通过开关不能使其打开和关闭，则请不要使用电动工具。任何不能通过开关进行控制的电动工具都是危险的，必须对其进行修理。
- ▶ 在进行任何调整、更换配件或存放电动工具之前，应从电源上断开插头和/或从电动工具上拆下电池组（若可拆卸）。此预防性安全措施可减少意外启动电动工具的危险。
- ▶ 将不用的电动工具存放在儿童拿不到的地方，并且不要让不熟悉电动工具或其操作说明的人员操作电动工具。未经培训的用户操作电动工具是危险的。
- ▶ 维护电动工具和配件。检查是否存在运动部件失调或卡滞、部件断裂和任何其它影响电动工具操作的情况。如果存在损坏，则在使用之前应修理电动工具。许多事故都是由于电动工具维护不良造成的。
- ▶ 保持切削工具锋利和清洁。带锋利切削刃的切削工具如果维护得当，很少会发生卡滞且更容易控制。
- ▶ 按照使用说明书，考虑作业条件和进行的作业来使用电动工具、附件和工具的刀头等。将电动工具用于指定用途以外的场合会导致危险。
- ▶ 使手柄和抓握面保持干燥、清洁且没有油脂。如果手柄和抓握面打滑，将无法在意外情况下安全操作或控制本工具。

#### 无绳（电池操作）工具/设备的使用和维护

- ▶ 充电时只能使用制造商指定的充电器。适合某种类型电池组的充电器如果被用于为另一类型电池组充电，则可能会带来火灾危险。
- ▶ 只能使用专用电池组为电动工具供电。使用任何其它电池组可能会带来人身伤害和火灾。
- ▶ 当电池组不用时，应使其远离其它金属物体，例如纸夹、硬币、钥匙、钉子、螺钉或其它小的金属物体，以免造成短路。如果电池端子被短路，则会造成人员烧伤或火灾。
- ▶ 如果持续滥用电池，则可能会造成液体从电池中喷射出来；注意避免接触到液体。如果意外接触到液体，应用水冲洗。如果液体接触眼睛，除了用大量清水冲洗外，还应立即就医。从电池中喷射出来的液体会导致疼痛或灼伤。
- ▶ 不要使用损坏或改装过的电池组或工具。损坏或改装过的电池会造成不可预测的情形，导致火灾、爆炸或受伤风险。
- ▶ 不要将电池组或工具暴露在明火或过高的温度中。暴露在明火或超过 130 °C (265 °F) 温度中可能导致爆炸。
- ▶ 遵守所有充电说明，且不要在使用说明规定的温度范围之外对电池组或工具充电。充电不正确或在规定温度范围之外充电会损坏电池并增加火灾风险。

#### 保养

- ▶ 将您的电动工具送交专业维修人员，使用同样的备件进行修理。这样才可确保维持电动工具（设备）的安全性。
- ▶ 切勿擅自维修损坏的电池组。仅可由制造商或授权服务提供商执行电池组的维修。

## 2.2 钻孔安全警告

### 所有操作的安全说明

- ▶ 当进行冲击式钻孔时，应佩戴护耳装置。如果直接暴露在噪音中，则会导致听力受损。
- ▶ 使用辅助手柄。对工具失去控制可能会导致人身伤害。
- ▶ 当执行切削配件或紧固件可能会接触到隐藏导线的操作时，应确保只能通过绝缘把手表面握住电动工具。如果切削配件或紧固件接触“带电”导线，则会使电动工具的裸露金属部件“带电”，从而可能会电击到操作者。

### 使用长钻头时的安全说明

- ▶ 操作时不得超出钻头的最大额定转速。否则，如果让钻头在不接触工件的情况下任意旋转，则钻头极易发生弯曲，进而导致人员受伤。
- ▶ 始终以低转速开始钻孔，并使钻头尖端与工件接触。否则，如果让钻头在不接触工件的情况下任意旋转，则钻头极易发生弯曲，进而导致人员受伤。



- ▶ 施力方向应与钻头保持在同一直线上，注意不得施力过度。否则，钻头会发生弯曲，导致工具损坏或失去控制，进而造成人员受伤。

### 2.3 起子机的其他安全注意事项

- ▶ 只有产品和附件处于良好的技术状态时才能使用。
- ▶ 切勿以任何方式擅自改动或改装本产品或附件。
- ▶ 开始工作前，检查工作区域是否有隐蔽的电缆或天然气和水管。如果电缆、燃气管或水管有损坏，则产品的外部金属部件可能会导致电击或爆炸。
- ▶ 磨削、抛光、切割和钻孔过程中产生的粉尘可能包含有害化学物质。一些例子包括：铅或铅基涂料；砖、混凝土、其他砖石产品、天然石材和其他含硅酸盐的产品；一些木材，例如橡木、山毛榉和化学处理过的木材；石棉或含石棉的材料。根据所处理材料的危险等级，确定操作员和附近人员的暴露程度。采取必要的措施将暴露保持在安全水平内，例如使用集尘系统或佩戴适当的呼吸防护装置。减少暴露的一般措施包括：
  - ▶ 在通风良好的区域进行操作，
  - ▶ 避免长时间接触粉尘，
  - ▶ 清除脸部和身上的粉尘，
  - ▶ 穿着防护服并用肥皂和水清洗暴露的部位。
- ▶ 工具和/或附件掉落会带来人身伤害的危险。开始工作前请检查电池和安装的附件是否已牢牢固定。
- ▶ 如果工作涉及穿透，则在对侧采取适当的安全措施。被钻下的工件部分可能会弹出或掉落并伤害到其他人。
  - ▶ 本产品可能在砖石建筑突然被穿透时让您失去平衡。如果工作涉及穿透墙体或天花板，请注意保持正确的站姿和平衡。
- ▶ 不可使用已经变钝的披头。
- ▶ 请使用随产品提供的辅助手柄。对工具失去控制可能会导致人身伤害。确保辅助手柄已牢固安装并可靠就位。
- ▶ 先将产品置于工作位置，然后才开机。
- ▶ 应始终用双手通过提供的手柄稳稳握住产品。保持手柄清洁干燥。
- ▶ 始终保持通风孔畅通。遮盖通风孔会有火灾风险！
- ▶ 请勿触摸旋转部件 - 人身伤害危险！
- ▶ 使用该产品时，请佩戴护目镜、安全帽、护耳装置和适当的呼吸防护装置。
- ▶ 请戴上护目装置。飞溅的碎片有导致身体和眼睛受伤的风险。
- ▶ 切勿直视本产品内集成的光源 (LED)，且不得将光束对准其他人的脸部。这会导致眩晕或使眼睛受到伤害。
- ▶ 适当休息并活动手指，以改善手指的血液循环。工作期间长时间暴露于强烈振动环境中可能导致手指、手掌和手腕部位血管和神经系统紊乱。
- ▶ 等待产品完全停止后再将其放下。
- ▶ 在更换配套工具时佩戴防护手套。触碰配套工具会导致割伤和烫伤。

### 2.4 小心处理和使用电池

- ▶ 请遵守以下关于安全操作和使用锂离子电动工具电池的安全提示。若未能遵守，会导致皮肤刺激、严重的腐蚀伤、化学烫伤、火灾和/或爆炸。
- ▶ 只有电池处于良好的技术状态时才能使用。
- ▶ 请小心地处理电池，以防损坏电池和避免对健康极有害的液体泄漏！
- ▶ 严禁改装或篡改电池！
- ▶ 请勿拆开、挤压或烧毁电池，不要让它们暴露在超过 80°C (176°F) 的高温下。
- ▶ 对于遭受过撞击或有其他损坏的电池，切勿使用或对其进行充电。定期检查电池是否有损坏的迹象。
- ▶ 切勿使用回收的或修理过的电池。
- ▶ 切勿将电池或电池供电的电动工具用作锤子。
- ▶ 切勿将电池暴露在直射的阳光下、高温、火花或明火中。可能会导致爆炸。
- ▶ 切勿用手指、工具、珠宝或其他导电物体接触电池极片。否则会损坏电池，造成财产损失和人身伤害。
- ▶ 确保电池远离雨水、潮气和液体。受潮会导致短路、漏电、燃烧、火灾或爆炸。
- ▶ 仅限使用经批准用于特定电池类型的充电器和电动工具。阅读并遵守相关操作说明中的规定。
- ▶ 不得在易爆环境中存放或使用电池。



- ▶ 如果电池发热烫手，则可能有故障。请将电池放在醒目且无火灾风险的地方，并与易燃物品保持足够距离。让电池自行冷却。如果一小时后电池仍然发热烫手，则表示存在故障。请联系 **Hilti** 维修中心或阅读文档“有关 **Hilti** 锂离子电池安全性和使用的提示”。

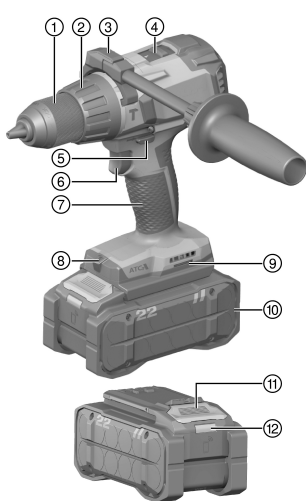


请遵守适用于锂离子电池运输、存储和使用的特殊准则。→ 页码 180

请通过扫描该操作说明末尾的二维码来阅读有关 **Hilti** 锂离子电池安全性和使用的提示。

### 3 说明

#### 3.1 产品概览



- ① 快速夹紧钻套
- ② 扭矩和功能调节环
- ③ 侧面手柄
- ④ 档位选择开关
- ⑤ 正逆转转换开关，带安全锁
- ⑥ 控制开关，带电子转速控制功能
- ⑦ 手柄
- ⑧ 工作区照明灯 (LED)
- ⑨ 附件安装孔
- ⑩ 电池
- ⑪ 电池解锁按钮
- ⑫ 电池状态指示器

#### 3.2 合规使用

所述产品为手持充电式起子机。设计用于在钢材、木材、塑料、轻质混凝土和砖墙上钻孔以及松开螺栓。

- 本产品只能与 **Hilti** B 22 系列 Nuron 锂离子电池搭配使用。为确保最佳性能，**Hilti** 建议为本产品使用本操作说明末尾表格中给出的电池。
- 此类电池仅限使用该操作说明末尾表格所规定型号系列的 **Hilti** 充电器充电。

#### 3.3 ATC

本产品配备 ATC(Active Torque Control) 快速电子切断装置。

若配套工具粘住或停止，本产品将会突然以相反的方向围绕自身轴线旋转。ATC 可探测到产品的突然旋转运动，并立即关闭产品。



为了 ATC 正常工作，产品必须可自由旋转。

执行 ATC 切断后，先关闭然后再开启产品。

#### 3.4 过载和过热保护指示灯

产品配备了旨在防止过载和过热的电子系统。过载或过热时产品会自动关闭。如果在刚释放控制开关后又按下它，则会出现开机延迟现象(产品冷却阶段)。

#### 3.5 锂离子电池指示灯

**Hilti** Nuron 锂离子电池可以显示电池的充电状态、出错信息和状态。



### 3.5.1 充电状态和出错信息的显示



**-警告-**

人身伤害的危险！ 电池掉落的危险！

▶ 在插入电池的情况下按压解锁按钮后，确保将电池重新正确锁定在所用的产品中。

请短暂按压电池的解锁按钮，以获得下列指示灯指示之一。

只要连接的产品已接通，便会持续显示充电状态和可能的故障。

| 状态                 | 含义  |
|--------------------|---|
| 四个 (4) LED 灯持续亮起绿光 | 充电状态：100 % 至 71 %   |
| 三个 (3) LED 灯持续亮起绿光 | 充电状态：70 % 至 51 %  |
| 两个 (2) LED 灯持续亮起绿光 | 充电状态：50 % 至 26 %  |
| 一个 (1) LED 灯持续亮起绿光 | 充电状态：25 % 至 10 %  |
| 一个 (1) LED 灯缓慢闪绿光  | 充电状态：< 10 %   |
| 一个 (1) LED 灯快速闪绿光  | 锂离子电池电量耗尽。为电池充电。<br>如果在为电池充电后 LED 灯始终快速闪烁，请联系 Hilti 维修中心。                                   |
| 一个 (1) LED 灯快速闪黄光  | 锂离子电池或与其相连的产品过载、过热、过冷或存在其他故障。<br>使产品和电池达到建议的工作温度，并且在使用时不要使产品过载。<br>如果信息仍然存在，请联系 Hilti 维修中心。 |
| 一个 (1) LED 灯亮起黄光   | 锂离子电池和连接的产品不兼容。请联系 Hilti 维修中心。  |
| 一个 (1) LED 灯快速闪红光  | 锂离子电池被锁定且无法继续使用。请联系 Hilti 维修中心。   |

### 3.5.2 电池状态的显示

如要检查电池状态，请按住解锁按钮三秒钟以上。系统未检测到由于掉落、刺穿、外部热损坏等错误使用而引起的电池潜在故障。

| 状态                                     | 含义  |
|--|---|
| 所有 LED 灯都作为运行灯亮起，接着有一个 (1) LED 灯持续亮绿光。 | 电池可以继续使用。   |
| 所有 LED 灯都作为运行灯亮起，接着有一个 (1) LED 灯快速闪黄光。 | 未能完成电池状态的查询。请重复该过程或联系 Hilti 维修中心。   |
| 所有 LED 灯都作为运行灯亮起，接着有一个 (1) LED 灯持续亮红光。 | 如果仍然可以继续使用所连接的产品，则电池剩余电量不足 50%。<br>如果无法再使用所连接的产品，则电池的使用寿命即将结束，应予以更换。请联系 Hilti 维修中心。 |

### 3.6 供货范围

起子机，侧面手柄，操作说明。

经批准可以配合本产品使用的其它系统产品，可以通过您当地的 [www.hilti.group](http://www.hilti.group) 购买或通过网址在线订购：Hilti Store

## 4 技术数据

|                                    |       | SF 6-22              | SF 6H-22             |
|------------------------------------|-------|----------------------|----------------------|
| 额定电压                               |       | 21.6 V <sub>DC</sub> | 21.6 V <sub>DC</sub> |
| 符合 EPTA Procedure 01 要求的重量 (不包括电池) |       | 2.0 kg               | 2.0 kg               |
| 转速                                 | 第 1 档 | 0 rpm ... 490 rpm    | 0 rpm ... 490 rpm    |
|                                    | 第 2 档 | 0 rpm ... 2,000 rpm  | 0 rpm ... 2,000 rpm  |
| 扭矩 (软拧紧)                           |       | ≤ 65 Nm              | ≤ 65 Nm              |



|           | SF 6-22          | SF 6H-22         |
|-----------|------------------|------------------|
| 冲击速度      | •/•              | 36,000 rpm       |
| 适合工作的环境温度 | -17 °C ... 60 °C | -17 °C ... 60 °C |
| 存放温度      | -20 °C ... 70 °C | -20 °C ... 70 °C |

#### 4.1 电池

|           |                  |
|-----------|------------------|
| 电池工作电压    | 21.6 V           |
| 电池重量      | 参见操作说明结尾         |
| 适合工作的环境温度 | -17 °C ... 60 °C |
| 存放温度      | -20 °C ... 40 °C |
| 电池充电起始温度  | -10 °C ... 45 °C |

#### 4.2 允许的配套工具直径

|                       | SF 6-22          | SF 6H-22         |
|-----------------------|------------------|------------------|
| Ø 快速钻套夹紧范围            | 1.5 mm ... 13 mm | 1.5 mm ... 13 mm |
| Ø 木钻头 (硬)             | 1.5 mm ... 20 mm | 1.5 mm ... 20 mm |
| Ø 木钻头 (软)             | 1.5 mm ... 32 mm | 1.5 mm ... 32 mm |
| Ø 金属钻头                | 1.5 mm ... 13 mm | 1.5 mm ... 13 mm |
| Ø 在混凝土/砖石建筑中钻孔 (锤击钻孔) | •/•              | 4 mm ... 12 mm   |

#### 4.3 噪音信息和振动值按照 EN 62841 标准

这些说明中给出的声压和振动值按照标准化测试的要求测得，可用于比较一种电动工具与另一种电动工具。它们还可用于初步评价受振动影响的程度。

提供的数据代表本电动工具的主要应用。但是，如果将电动工具用于不同的应用、使用不同的配套工具或维护不良，则数据可能不同。这可能会显著增加操作者在整个工作期间受振动影响的程度。

对受振动影响程度的准确估计还应考虑当关闭电动工具或当它运行但实际未进行工作时的情况。这可能会显著减小操作者在整个工作期间受振动影响的程度。

此外，应确定附加安全措施，以保护操作者免受噪音和/或振动影响，例如：正确维护电动工具和配套工具、保持双手温暖、制订合理的工作计划等。

##### 噪声排放值

|                          | SF 6-22    | SF 6H-22    |
|--------------------------|------------|-------------|
| 排放声压级 ( $L_{pA}$ )       | 74.5 dB(A) | 94.5 dB(A)  |
| 声压级的不确定系数 ( $K_{pA}$ )   | 5 dB(A)    | 5 dB(A)     |
| 声功率级 ( $L_{WA}$ )        | 85.5 dB(A) | 105.5 dB(A) |
| 声功率级的不确定性系数 ( $K_{WA}$ ) | 5 dB(A)    | 5 dB(A)     |

##### 总振动值

|                                |          | SF 6-22              | SF 6H-22              |
|--------------------------------|----------|----------------------|-----------------------|
| 在金属中钻孔的振动排放值 ( $a_{n,D}$ )     | B 22-85  | 1.0 m/s <sup>2</sup> | 1.2 m/s <sup>2</sup>  |
|                                | B 22-170 | 0.7 m/s <sup>2</sup> | 1.1 m/s <sup>2</sup>  |
| 在金属中钻孔的不确定系数 (K)               |          | 1.5 m/s <sup>2</sup> | 1.5 m/s <sup>2</sup>  |
| 在混凝土中锤击钻孔的振动排放值 ( $a_{n,1D}$ ) | B 22-85  | •/•                  | 11.9 m/s <sup>2</sup> |
|                                | B 22-170 | •/•                  | 10.6 m/s <sup>2</sup> |
| 在混凝土中锤击钻孔的不确定系数 (K)            |          | •/•                  | 1.5 m/s <sup>2</sup>  |



## 5 工作现场的准备工作

### -警告-

人身伤害的危险！意外启动的风险！

- ▶ 插入电池前，确保已关闭产品。
- ▶ 对电动工具执行任何调节或更换配件前，先取出电池。

请遵守本文档中以及产品上的安全说明和警告。

### 5.1 给电池充电

1. 为电池充电之前，请阅读充电器的操作说明。
2. 确保电池和充电器上的触点均清洁、干燥。
3. 使用认可的充电器为电池充电。→ 页码 175

### 5.2 插入电池

#### -警告-

人身伤害的危险！短路或电池掉落会带来人身伤害的危险！

- ▶ 装入电池之前，确保电池和产品上的触点上均无异物。
- ▶ 确保电池接合正确。

1. 在首次使用电池之前，要给电池完全充电。
2. 将电池推入产品，直至听到卡止声。
3. 检查并确认电池已可靠就位。

### 5.3 拆下电池

1. 按下电池释放按钮。
2. 从产品中取出电池。

### 5.4 安装侧面手柄

#### -小心-

人身伤害的危险！失去对旋转电锤的控制。

- ▶ 检查并确认侧面手柄已正确安装和可靠固定。确保已将夹具正确地固定在专用凹槽中。

1. 转动手柄，以松开侧面手柄的夹子。
2. 将侧面手柄的支架完全放在壳体上，然后将夹子推入对应的凹槽中。
3. 转动手柄，以夹紧侧面手柄的支架。

### 5.5 安装配套工具

1. 打开无匙夹头。
2. 将配套工具插入夹头中。
3. 拧紧无匙夹头。
4. 检查并确保配套工具牢牢固定。

### 5.6 防坠落装置

#### -警告-

工具和/或附件掉落会带来人身伤害的危险！

- ▶ 请只是为您的工具推荐的 Hilti 工具绳索。
- ▶ 在使用前请检查工具绳索的固定点有无损坏。
- ▶ 不要将工具绳索固定在带钩上。不用使用带钩起吊产品。



注意高空作业的国家法规。

请仅使用 Hilti 保险带和 Hilti 工具挂绳 #2261970 作为本产品的防坠落保护装置。





- ▶ 将保险带固定到附件的安装孔中。检查是否已牢牢固定。
- ▶ 将工具挂绳的一个弹簧钩固定到保险带上，另一个弹簧钩固定到支撑结构上。检查两个弹簧钩是否已牢牢固定。



请遵守 Hilti 保险带以及 Hilti 工具挂绳的操作说明。

## 6 操作



-小心-

配套工具卡住会带来人身伤害的危险！

- ▶ 检查并确认侧面手柄已正确安装和可靠固定。应始终用双手通过提供的手柄稳稳握住产品。
- ▶ 请使用防护眼镜，以防碎料溅到眼睛。

请遵守本文档中以及产品上的安全说明和警告。

### 6.1 选择档位 4

- ▶ 选择档位。

### 6.2 设置正逆转 5

- ▶ 将正逆转转换开关调到正转或反转。

### 6.3 接通

- ▶ 按下控制开关。
  - ▶ 本产品启动。



可以根据控制开关的压入深度无级调节转速。

### 6.4 拧螺丝 6

- ▶ 将扭矩和功能调节环调到所需的扭矩。

### 6.5 钻孔 7

- ▶ 将扭矩和功能调节环调到 7。

### 6.6 锤击钻孔 8

- ▶ 将扭矩和功能调节环调到 8。

### 6.7 关闭

- ▶ 释放控制开关。
  - ▶ 电动工具关闭。

## 7 维护和保养



-警告-

插入电池时存在人身伤害危险！

- ▶ 执行维护和保养任务之前，请务必先取出电池。

### 工具的保养

- 请小心地清除顽固污渍。
- 用干燥的软毛刷 (若有) 小心地清洁通风槽。
- 请仅使用微湿的抹布清洁外壳。不要使用含硅清洁剂，否则可能腐蚀塑料件。
- 用干燥干净的布清洁产品触点。



## 锂离子电池的保养

- 切勿使用通风槽堵塞的电池。用干燥的软毛刷小心地清洁通风槽。
- 避免不必要地将电池暴露在粉尘或污垢中。切勿将电池暴露在高湿度的环境中 (例如将其浸在水中或放在雨中)。  
如果电池浸湿, 请如处理损坏的电池那样对其进行处理。将其隔离在不可燃的容器中, 然后联系 Hilti 维修中心。
- 确保电池远离外来油脂。切勿让不必要的粉尘或脏污积聚在电池上。用干燥的软毛刷或干燥干净的布清洁电池。不要使用含硅清洁剂, 否则可能腐蚀塑料件。  
不要触摸电池触点, 不要清除出厂时涂抹在触点上的油脂。
- 请仅使用微湿的抹布清洁外壳。不要使用含硅清洁剂, 否则可能腐蚀塑料件。

## 维护

- 定期检查所有可见部件和控制器是否出现损坏迹象, 确保其全部正常工作。
- 如果发现损坏迹象或如果有部件发生故障, 不要操作本产品。立即将本产品交由 Hilti 维修中心修复。
- 清洁和维护之后, 安装所有护板或保护装置, 检查并确认其正常工作。



为确保安全和可靠的操作, 仅限使用 Hilti 原装件和消耗品。经 Hilti 许可可与产品搭配使用的备件、消耗品和配件可到您当地的 Hilti Store 购买或访问: [www.hilti.group](http://www.hilti.group)

## 8 电池型工具和电池的运输及存储

### 运输



#### 运输途中的意外启动!

- ▶ 运输产品前务必将电池取出!
- ▶ 取下电池。
- ▶ 切勿松散、未加保护地运输电池。在运输过程中, 应保护电池免受过度冲击或振动影响, 并将其与任何导电材料或其它电池分开 (因为它们可能会接触到电池端子并导致短路)。请遵守当地的电池运输规定。
- ▶ 请勿以邮寄方式运送电池。有关如何运送完好电池的说明, 请咨询您的发货商。
- ▶ 每次使用前以及长时间运输前后都要检查产品和电池是否损坏。

### 存放



#### 故障或泄漏的电池会导致意外损坏!

- ▶ 仅可在未插入电池的情况下存放产品!
- ▶ 请将产品和电池存放至凉爽干燥的地方。请遵守技术数据中规定的温度极限值。
- ▶ 请勿将电池存放在充电器中。充电过程结束后请始终将电池从充电器中取出。
- ▶ 切勿将电池存放在阳光下、热源上或玻璃后。
- ▶ 请将本产品与电池存放在儿童或非授权人员无法接近的位置。
- ▶ 每次使用前以及长时间存放前后都要检查产品和电池是否损坏。

## 9 故障排除

出现任何故障时, 都应注意电池充电状态和故障指示灯。参见锂离子电池指示灯一章。

如果您碰到的问题未在此表中列出或您无法自行排除, 请联系 Hilti 维修中心。

| 故障                    | 可能原因                  | 解决方案                                     |
|-----------------------|-----------------------|--|
| 产品不工作。                | 电池未正确装入。              | ▶ 安装电池。→ 页码 178                          |
| 控制开关无法按下或卡住。          | 正逆转转换开关处于中间位置 (运输位置)。 | ▶ 将正逆转转换开关调到正转或反转。→ 页码 179               |
| 产品或电池变得很热             | 电气损坏                  | ▶ 立即关闭本产品并取出电池。使其在观察下冷却。联系 Hilti 售后服务部门。 |
| 电池 LED 未亮起            | 电池损坏                  | ▶ 联系 Hilti 维修中心。                         |
| SF 6H-22<br>无法进行锤击钻孔。 | 没有在调节环上正确地调到该功能。      | ▶ 将调节环调到“锤击钻孔”功能                         |




## 10 废弃处置

---



废弃处理不当会有人身伤害的危险！漏出的气体或液体会带来健康危害。

- ▶ 不得通过邮寄方式发送任何电池。
  - ▶ 用非导电材料 (比如绝缘带) 包住端子，以防止短路。
  - ▶ 在儿童接触不到的地方处置电池。
  - ▶ 请将电池送交 **Hilti Store** 处置，或咨询当地的废弃处理机构以获取处置说明。
- 

 制造 Hilti 产品所用的大部分材料都可回收利用。在可以回收之前，必须正确分离材料。Hilti 在很多国家都提供旧工具回收服务。请咨询 **Hilti** 客户服务部门或您的销售顾问。



- ▶ 不得将电动工具、电子设备或电池作为生活垃圾处置！
- 

## 11 制造商保修

---

- ▶ 如对保修条件有任何疑问，请联系您当地的 **Hilti** 代表。

## 12 更多信息

---

关于操作、技术、环保和回收的更多信息请查看以下链接：[qr.hilti.com/manual/?id=2275217&id=2275219](http://qr.hilti.com/manual/?id=2275217&id=2275219)  
文档末尾也提供二维码链接。





# EC Declaration of Conformity | UK Declaration of Conformity



**Manufacturer:**  
**Hilti Corporation**  
Feldkircherstraße 100  
9494 Schaan | Liechtenstein

**Importer:**  
**Hilti (Gt. Britain) Limited**  
1 Trafford Wharf Road, Old Trafford  
Manchester, M17 1BY

**SF 6-22 (03)**  
**SF 6H-22 (03)**

Serial Numbers: 1-9999999999

2006/42/EC | Supply of Machinery (Safety) Regulations 2008

EN 62841-1:2015

EN 55014-1:2017

2014/30/EU | Electromagnetic Compatibility Regulations 2016

EN 62841-2-1:2018

EN 55014-2:2015

2011/65/EU | The Restriction of the Use of Certain Hazardous Substances in Electrical and Electronic Equipment Regulations 2012

**Dr. Tahar Zrilli**  
Head of Quality and Process Management  
Business Area Electric Tools & Accessories

Schaan, 09.06.2021

**Tassilo Deinzer**  
Executive Vice President  
Business Unit Power Tools & Accessories



 **NURON**

|                      |         |         |
|----------------------|---------|---------|
| <b>B 22-85 (01)</b>  | 0,77 kg | 1.70 lb |
| <b>B 22-110 (01)</b> | 0,92 kg | 2.03 lb |
| <b>B 22-170 (01)</b> | 1,34 kg | 2.95 lb |

|               |
|---------------|
| <b>C 4-22</b> |
| <b>C 6-22</b> |
| <b>C 8-22</b> |





Hilti Corporation  
LI-9494 Schaan  
Tel.:+423 234 21 11  
Fax:+423 234 29 65  
[www.hilti.group](http://www.hilti.group)



2275219